



US00D899269S

(12) **United States Design Patent** (10) **Patent No.:** **US D899,269 S**  
**Georgiou** (45) **Date of Patent:** **\*\* Oct. 20, 2020**

(54) **COMBINED PUZZLE AND PACKAGING**  
(71) Applicant: **Paragonon Limited**, Middlesex (GB)  
(72) Inventor: **Petros Georgiou**, Limassol (CY)  
(73) Assignee: **PARAGONON LIMITED**, London (GB)  
(\*\*) Term: **15 Years**  
(21) Appl. No.: **29/695,735**  
(22) Filed: **Jun. 21, 2019**

(56) **References Cited**  
**U.S. PATENT DOCUMENTS**  
2,528,830 A \* 11/1950 Iliff ..... B65D 5/38  
229/108  
D507,484 S \* 7/2005 Kumakura ..... D9/418  
D509,442 S \* 9/2005 Several ..... D9/756  
D536,965 S \* 2/2007 Levy ..... D9/430  
D685,264 S \* 7/2013 Lal ..... D9/430  
D755,641 S \* 5/2016 O'Neill ..... B65D 5/5088  
D9/721  
D859,146 S \* 9/2019 Georgiou ..... D9/430

**Related U.S. Application Data**

(62) Division of application No. 29/644,978, filed on Apr. 23, 2018, now Pat. No. Des. 859,146.

**Foreign Application Priority Data**

(30) Oct. 24, 2017 (EP) ..... 001461982-0001  
Oct. 24, 2017 (EP) ..... 001461990-0001  
Oct. 24, 2017 (EP) ..... 004419505-0001  
Oct. 24, 2017 (EP) ..... 004419505-0002  
Oct. 24, 2017 (EP) ..... 004419505-0003  
Oct. 24, 2017 (EP) ..... 004419505-0004

(51) **LOC (12) Cl.** ..... **09-03**  
(52) **U.S. Cl.**  
USPC ..... **D9/721**

(58) **Field of Classification Search**  
USPC ..... D9/414-423, 424-429, 430-433, 434,  
D9/456, 457, 711, 713, 721-722, 737,  
D9/756, 758, 759, 760; D3/272-274,  
D3/290, 304, 305, 315; D20/10, 22, 27,  
D20/40, 42  
CPC ... B65D 5/00; B65D 5/02; B65D 5/18; B65D  
5/20

See application file for complete search history.

**OTHER PUBLICATIONS**

Rombi 16 Set Rombi Puzzles. [online] Retrieved Jan. 21, 2020 from URL: <https://rombipuzzle.com/rombi-16/>.\*

\* cited by examiner

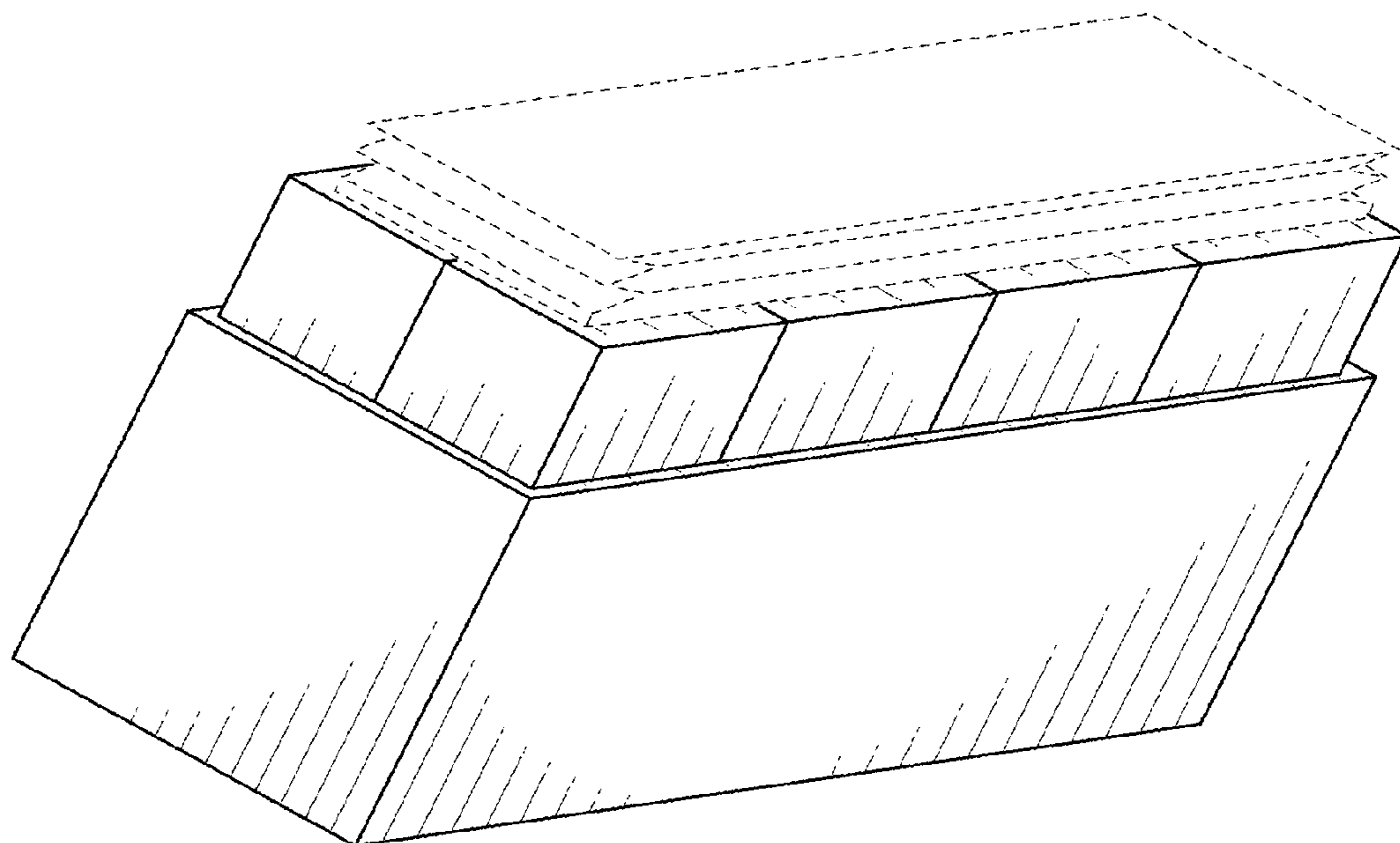
*Primary Examiner* — Vy N Koenig  
(74) *Attorney, Agent, or Firm* — Perry Hoffman

(57) **CLAIM**  
The ornamental design for a combined puzzle and packaging, as shown and described.

**DESCRIPTION**

FIG. 1 is a front perspective view of the combined puzzle and packaging of the instant invention; FIG. 2 is a front elevational view thereof; FIG. 3 is a rear elevational view thereof; FIG. 4 is a left side elevational view thereof; FIG. 5 is a right side elevational view thereof; FIG. 6 is a top view thereof; and, FIG. 7 is a bottom view thereof. The broken lines shown are included for the purpose of illustrating environmental subject matter and form no part of the claimed design.

**1 Claim, 4 Drawing Sheets**



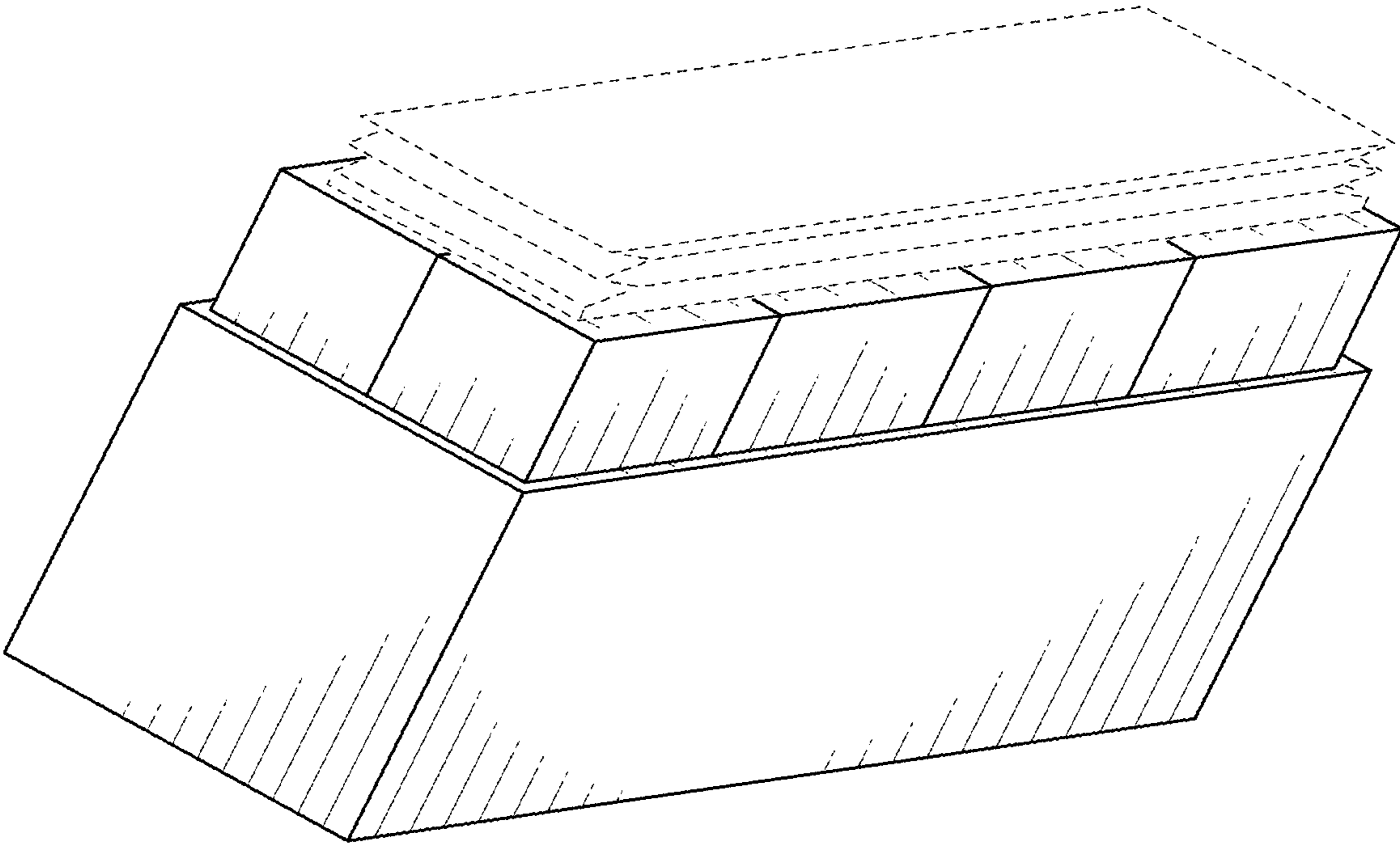


FIG. 1

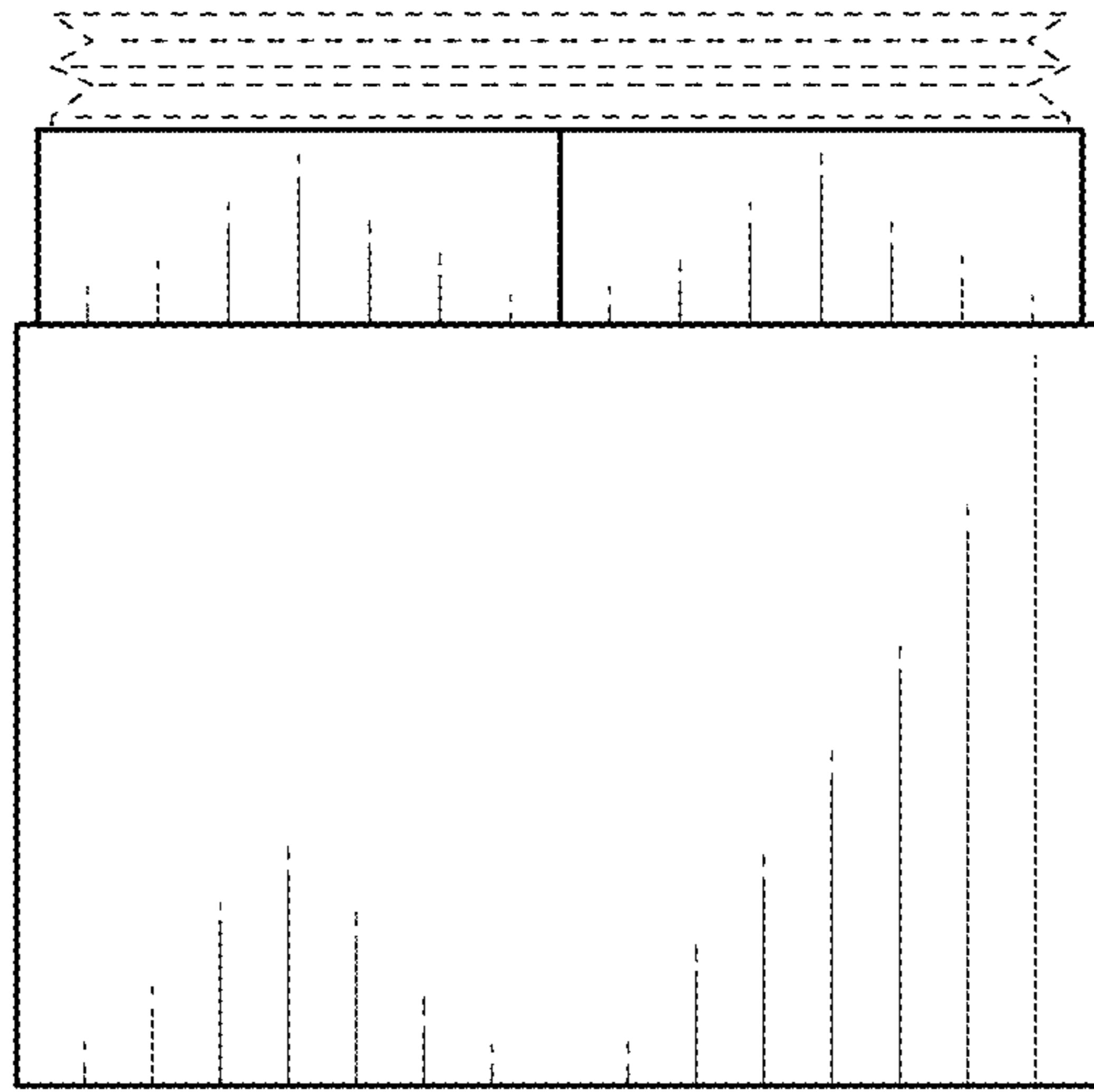


FIG. 2

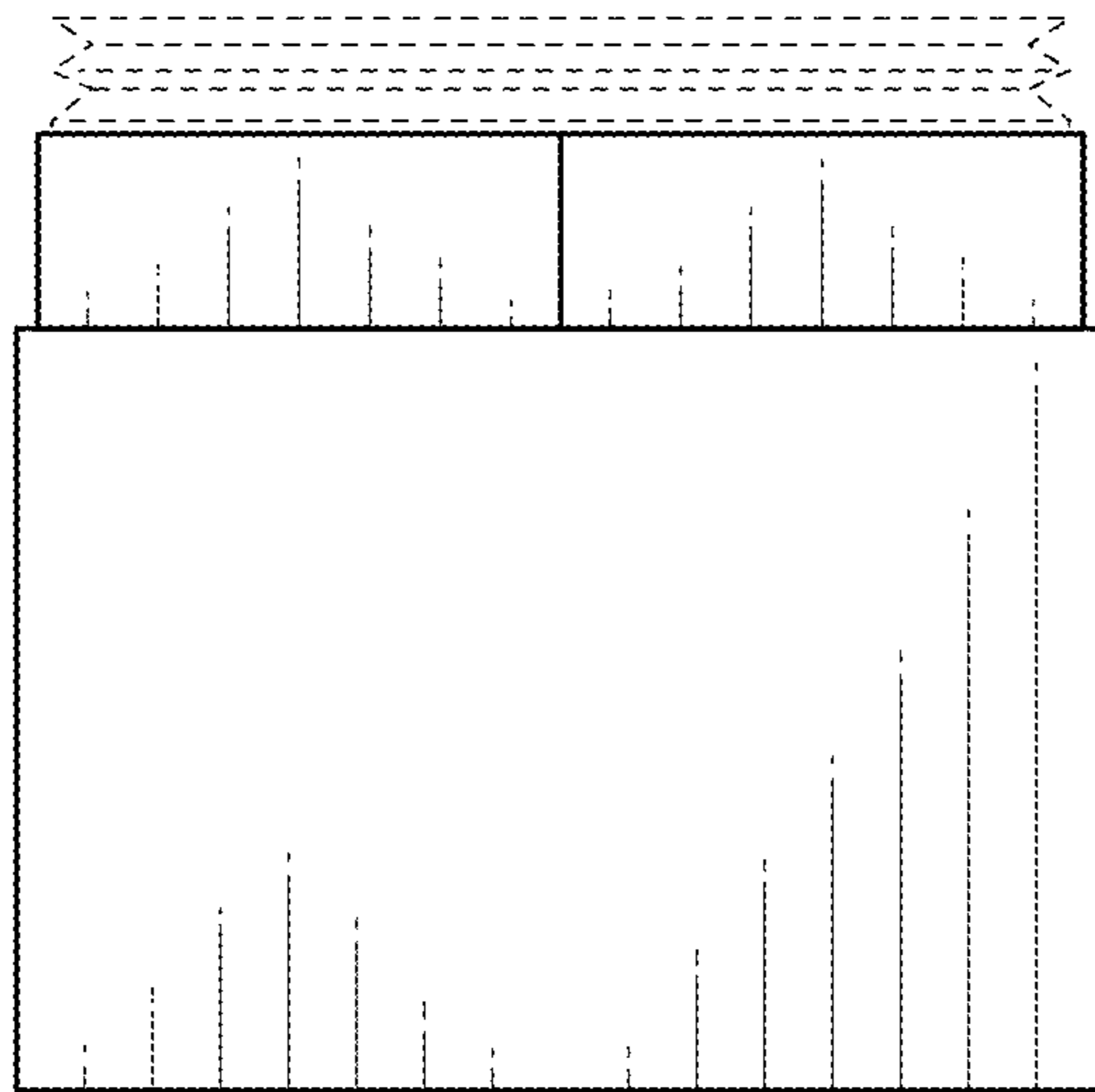


FIG. 3

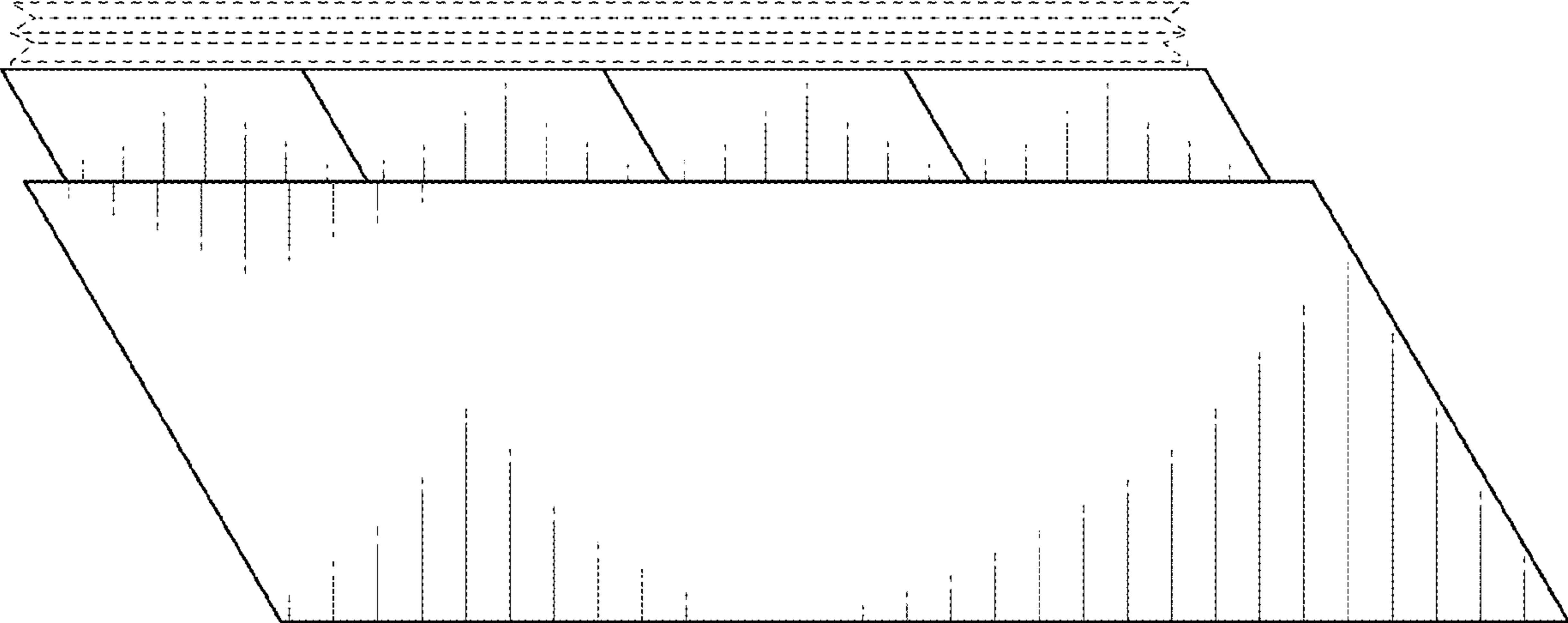


FIG. 4

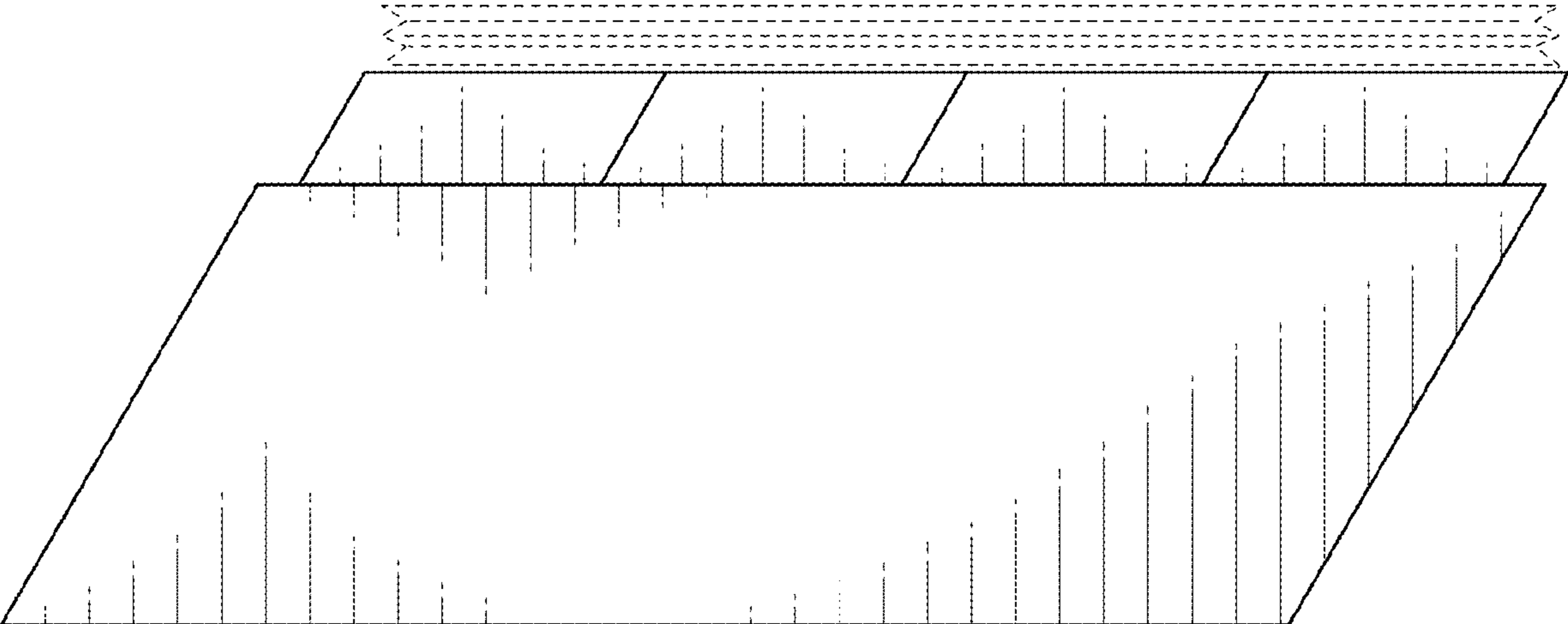


FIG. 5

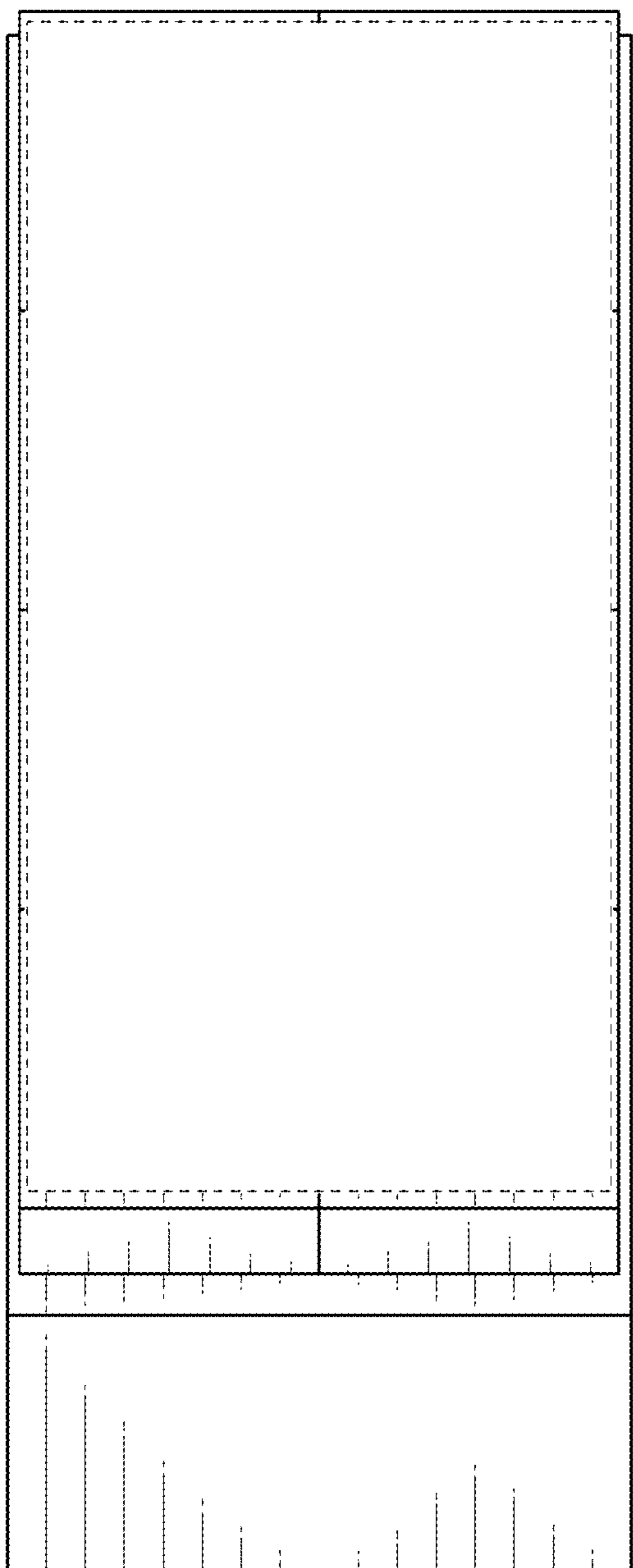


FIG. 6

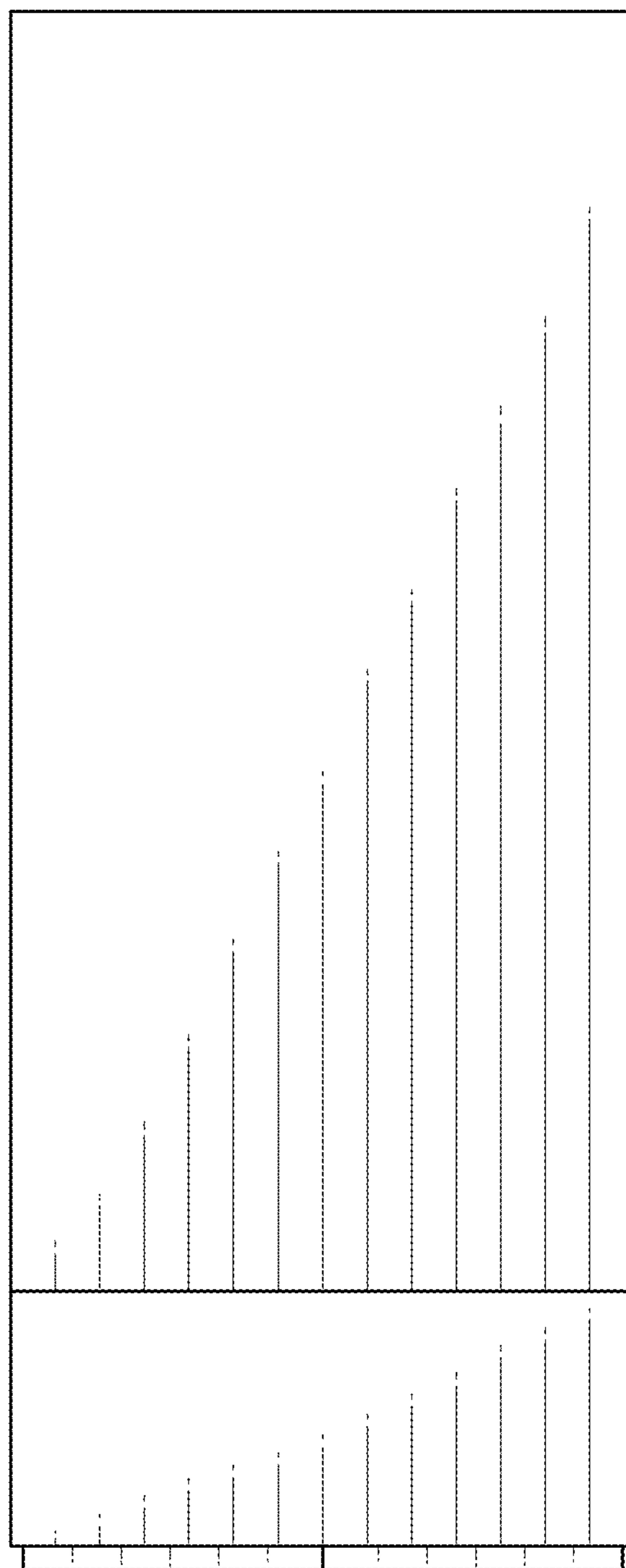


FIG. 7