



US00D899267S

(12) **United States Design Patent** (10) **Patent No.:** **US D899,267 S**
Lenzo (45) **Date of Patent:** **** Oct. 20, 2020**

(54) **POUCH**

(71) Applicant: **October S.r.l.**, Turin (IT)
 (72) Inventor: **Fabio Lenzo**, Milan (IT)
 (73) Assignee: **OCTOBER S.R.L.**, Turin (IT)
 (**) Term: **15 Years**

(21) Appl. No.: **29/679,880**

(22) Filed: **Feb. 11, 2019**

(30) **Foreign Application Priority Data**

Dec. 27, 2018 (EM) 005944642

(51) **LOC (12) Cl.** **09-05**

(52) **U.S. Cl.**
USPC **D9/709**

(58) **Field of Classification Search**

USPC D9/702-714, 414-415, 417-418, 737,
 D9/424, 430-433, 730-732, 756, 761;
 D7/549, 553.2, 590, 602; D3/201, 203.1,
 D3/203.3, 303, 202; 206/527, 4.27, 807,
 206/260, 811, 103, 203, 207; 220/23.4,
 220/500, 666; 229/120.02, 120.011,
 229/87.06; 426/114-115, 119, 120;
 222/92, 107, 215, 206
 CPC B65D 85/00; B65D 75/00; B65D 33/00;
 B65D 33/04; B65D 33/24; B65D 33/16;
 B65D 33/12; B65D 33/008; B65D 33/02;
 B65D 33/01; B65D 81/24; B65D 81/34;
 B65D 81/3415; B65D 81/343; B65D
 81/3438; B65D 81/3446; B65D 81/3461;
 B65D 81/3266

See application file for complete search history.

(56) **References Cited**

U.S. PATENT DOCUMENTS

D461,404	S	*	8/2002	Steiger	D9/423
D499,021	S	*	11/2004	Tiilikka	D9/416
D554,528	S	*	11/2007	Brandon	D9/705
D664,041	S	*	7/2012	Fauerbach	D9/432
D782,966	S	*	4/2017	Krier	D12/587
D881,019	S	*	4/2020	Recchia	D9/709

* cited by examiner

Primary Examiner — Abraham Bahta

(74) *Attorney, Agent, or Firm* — Knobbe, Martens, Olson & Bear, LLP

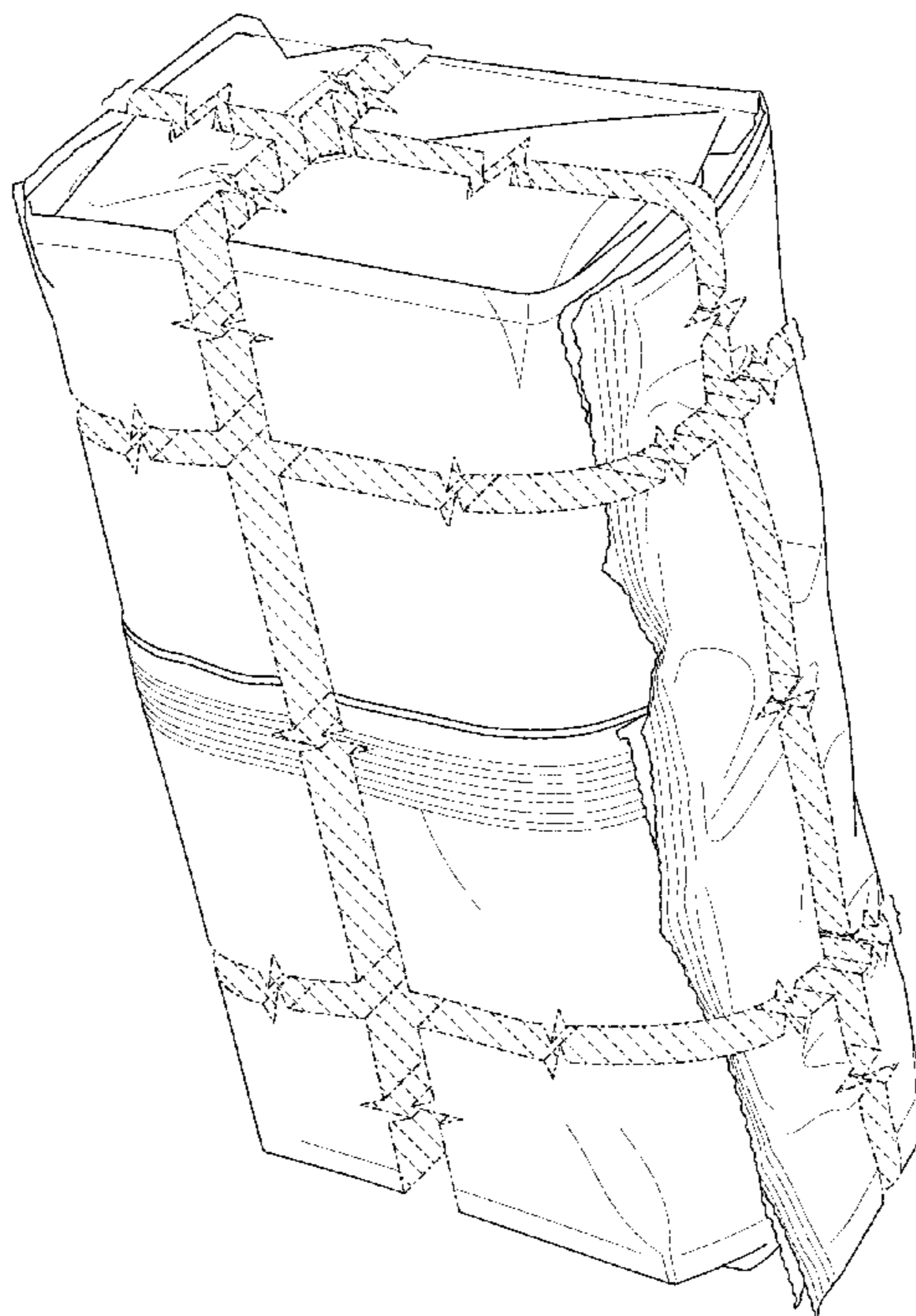
(57) **CLAIM**

The ornamental design for a pouch, as shown and described.

DESCRIPTION

FIG. 1 is rear perspective view of a pouch showing my new design;
 FIG. 2 is a rear elevational view thereof;
 FIG. 3 is a front elevational view thereof;
 FIG. 4 is a right side elevational view thereof;
 FIG. 5 is a left side elevational view thereof;
 FIG. 6 is a bottom plan view thereof; and,
 FIG. 7 is a top plan view thereof.
 The evenly-dashed broken lines in the views are included for the purpose of illustrating portions of the pouch that form no part of the claimed design. The pouch is shown with symbolic breaks in various dimensions drawn in dot-dash-dot lines. The appearance of any portion of the article between the break lines forms no part of the claimed design.

1 Claim, 7 Drawing Sheets



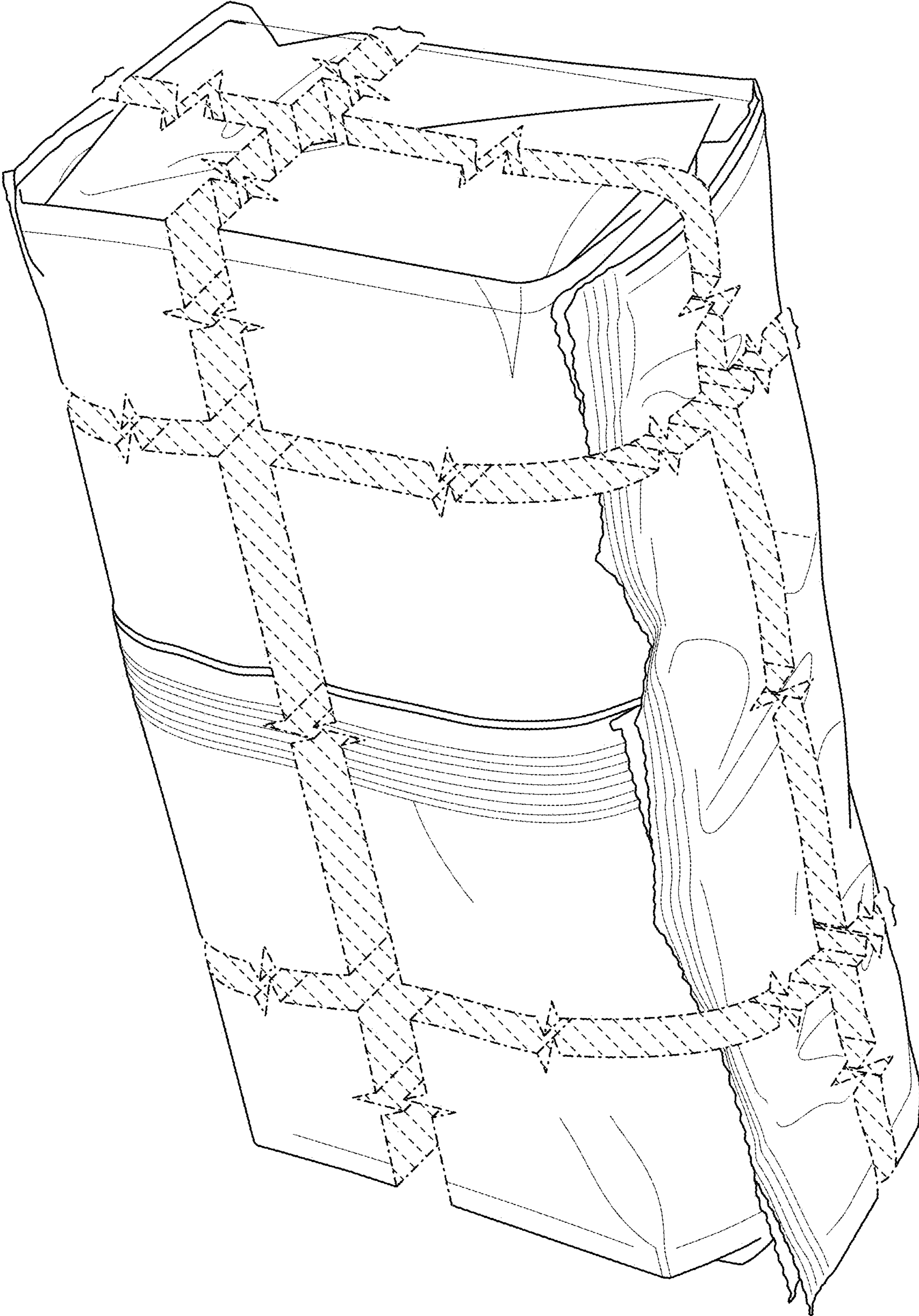


FIG. 1

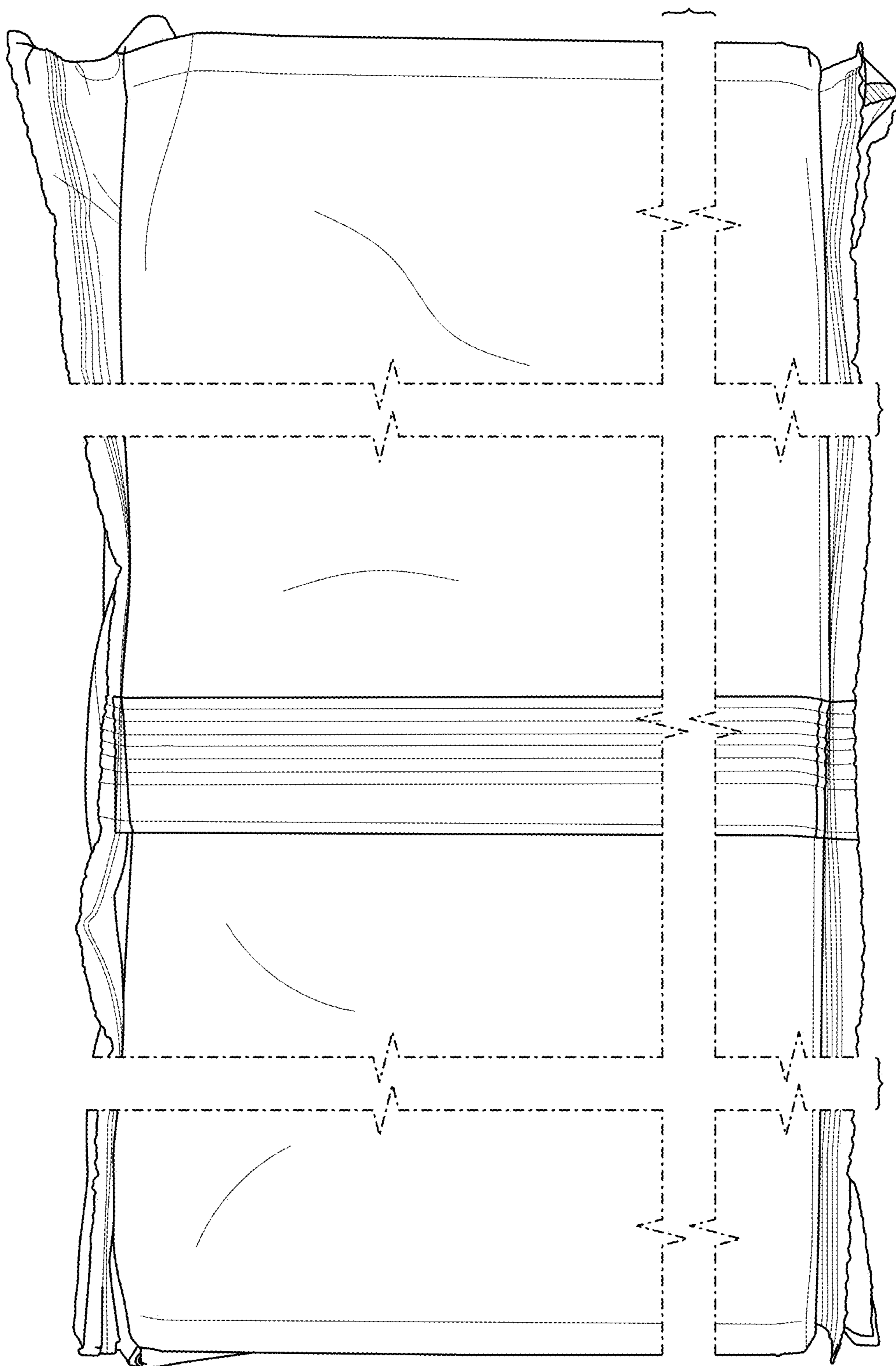


FIG. 2

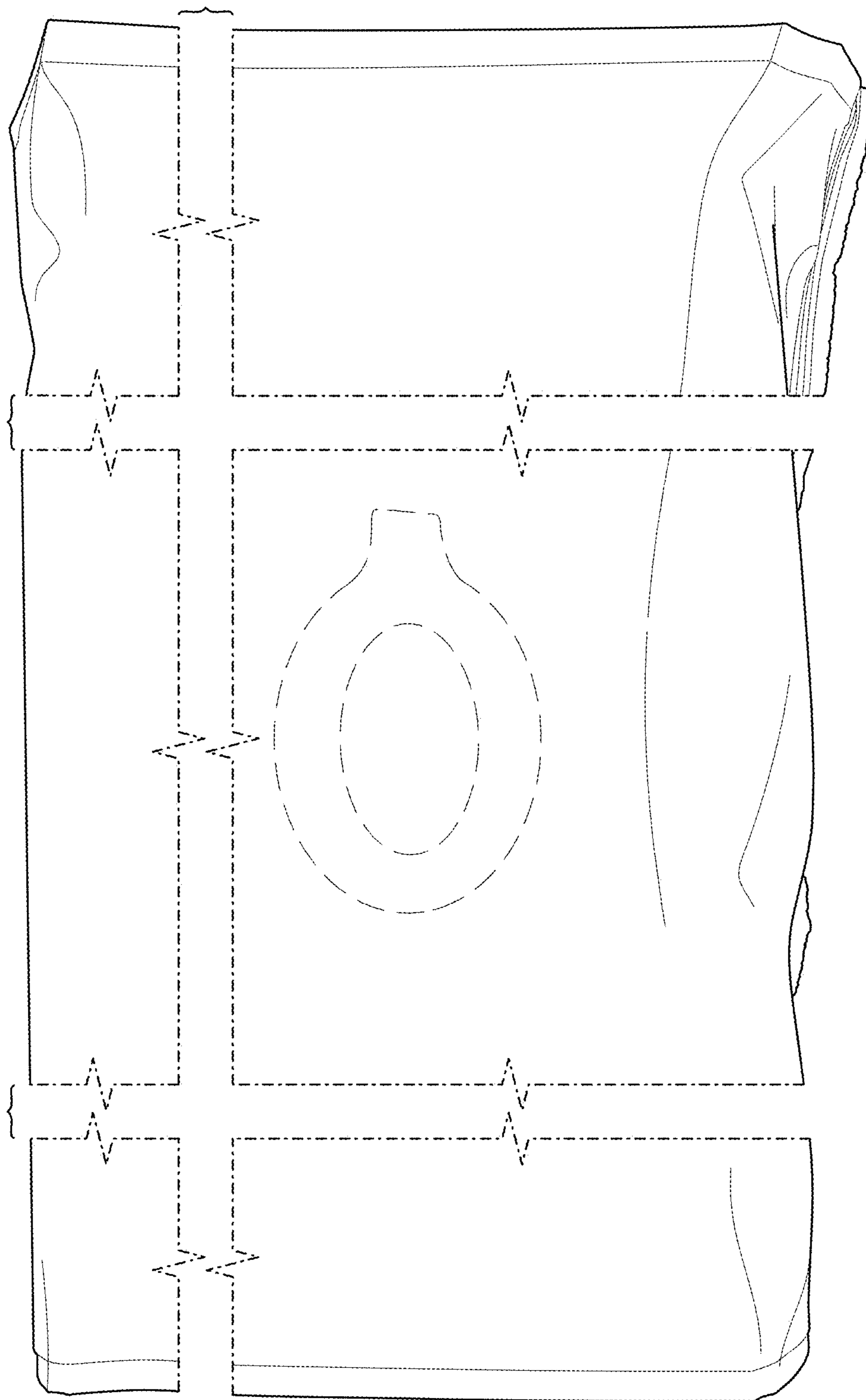


FIG. 3

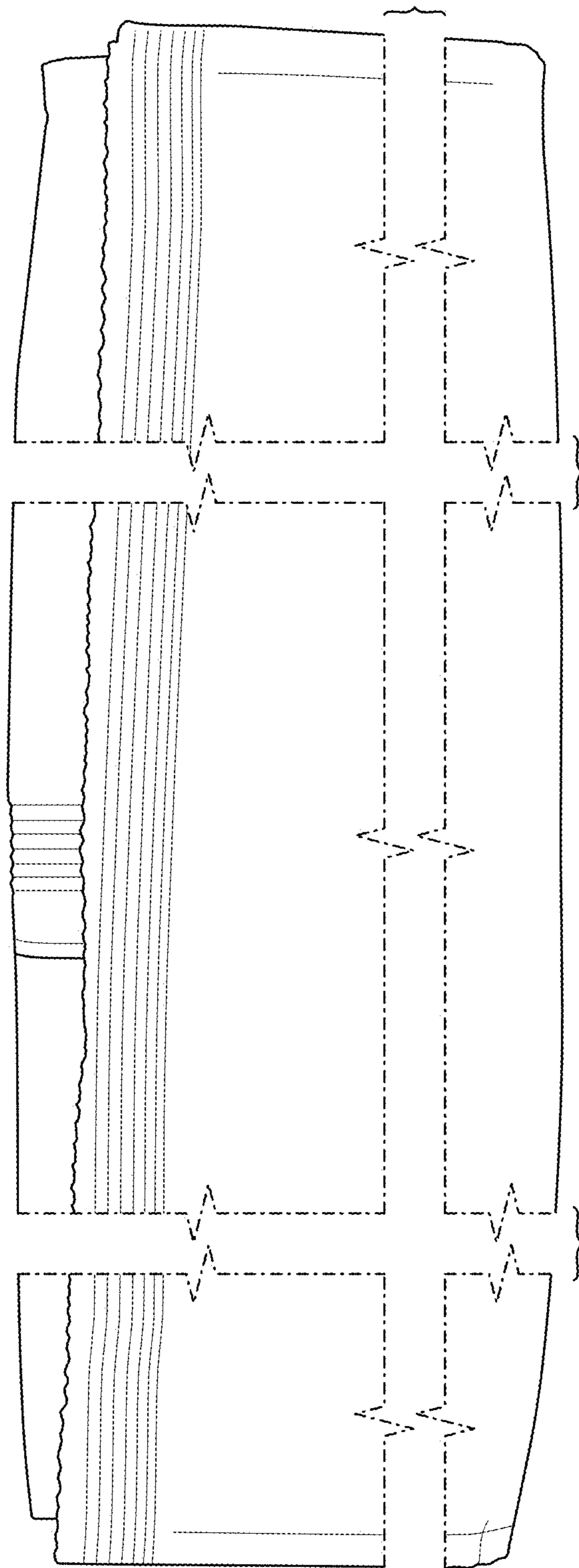


FIG. 4

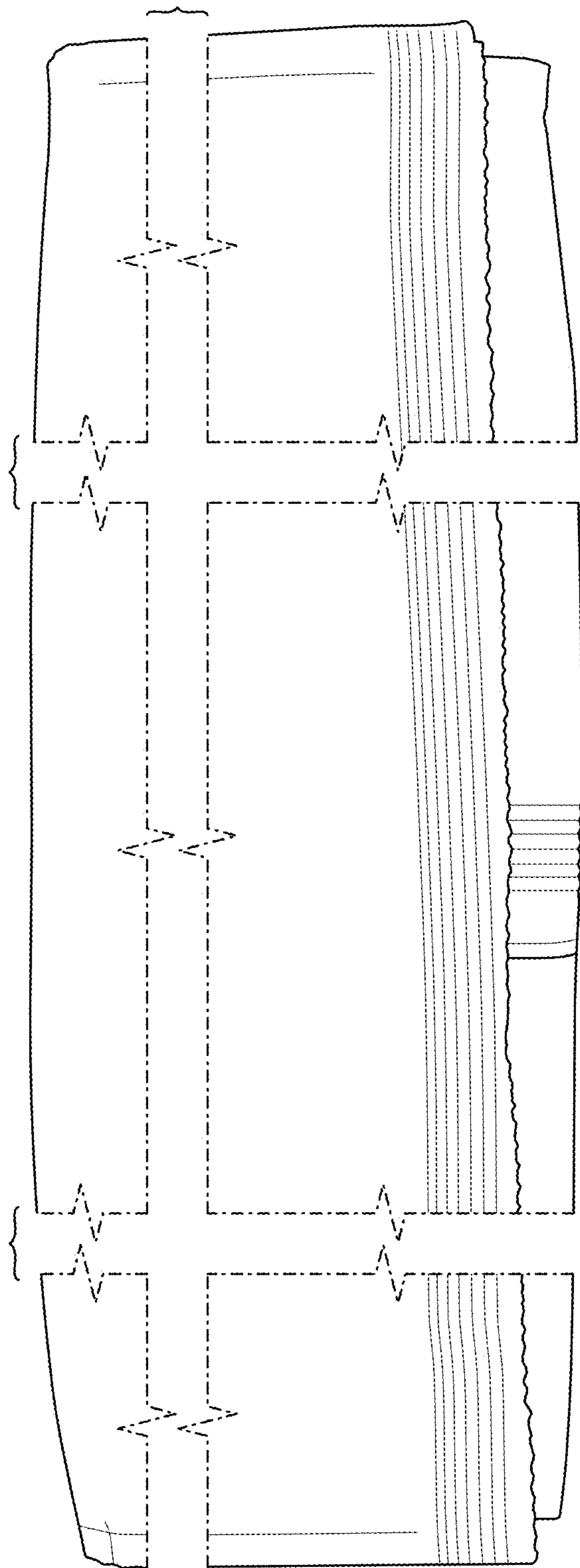


FIG. 5

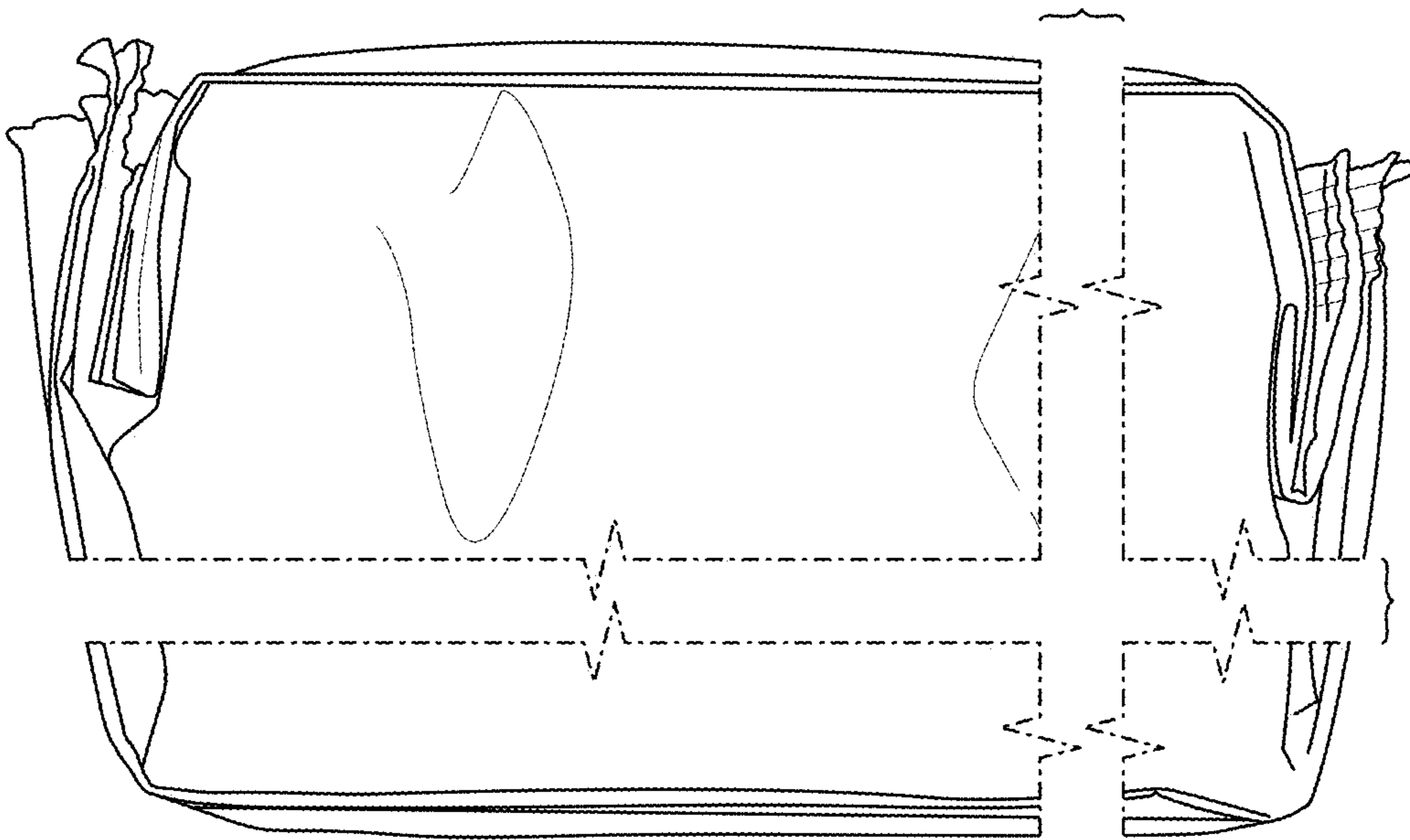


FIG. 6

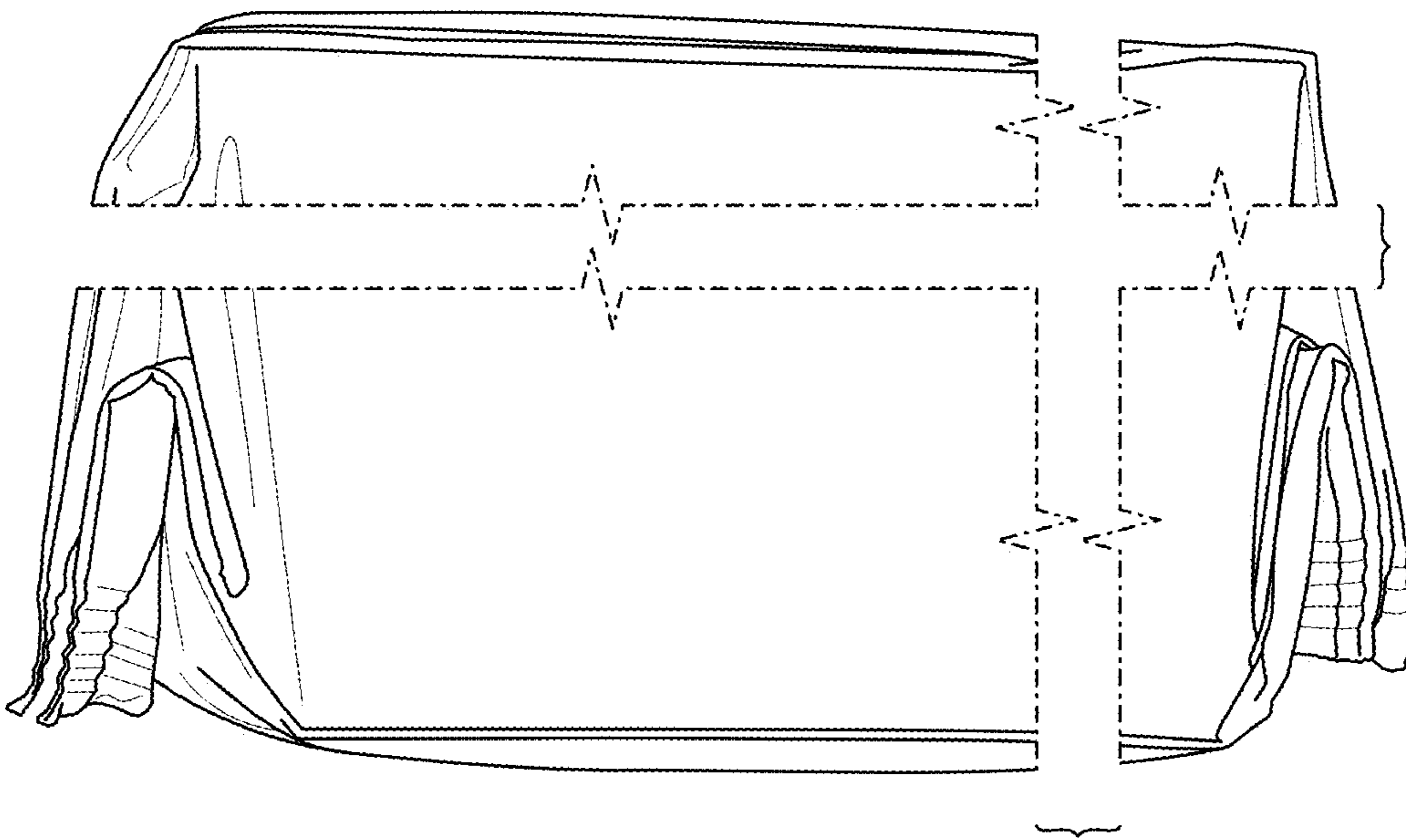


FIG. 7