



US00D899260S

(12) **United States Design Patent**  
**Knobel et al.**

(10) **Patent No.:** **US D899,260 S**

(45) **Date of Patent:** **\*\* Oct. 20, 2020**

- (54) **CONTAINER WITH CAP**
- (71) Applicant: **CR Packaging LLC**, Allston, MA (US)
- (72) Inventors: **Simon Knobel**, Vail, CO (US);  
**Alexander Gonzalez**, Brighton, MA (US)
- (73) Assignee: **CR Packaging LLC**, Allston, MA (US)
- (\*\*) Term: **15 Years**
- (21) Appl. No.: **29/709,838**
- (22) Filed: **Oct. 17, 2019**

**Related U.S. Application Data**

- (63) Continuation of application No. 29/624,304, filed on Oct. 31, 2017, now Pat. No. Des. 868,589.
- (51) **LOC (12) Cl.** ..... **09-01**
- (52) **U.S. Cl.**  
USPC ..... **D9/560; D9/574**
- (58) **Field of Classification Search**  
USPC ..... D9/516, 520, 529, 559, 560, 563, 574,  
D9/715, 719, 432, 434-436, 443;  
D7/300, 601, 602, 619.1; D3/203.1,  
D3/203.2  
CPC . B65D 1/00; B65D 1/02; B65D 1/023; B65D  
1/0223; B65D 1/0276; B65D 41/16;  
B65D 85/60  
See application file for complete search history.

(56) **References Cited**

**U.S. PATENT DOCUMENTS**

D592,966 S *	5/2009	Nissen	.....	D9/560
D654,799 S *	2/2012	Liu	.....	D9/560
D668,143 S *	10/2012	Akana	.....	D14/496
D686,065 S *	7/2013	Kuo	.....	D9/432
D695,620 S *	12/2013	Karekar	.....	D9/529
D709,652 S *	7/2014	Teller	.....	D28/83

D715,653 S *	10/2014	Lavigne	.....	D9/529
D731,303 S *	6/2015	Daggett	.....	D9/420
D734,550 S *	7/2015	Schlatter	.....	D28/83
D748,468 S *	2/2016	Angeloni	.....	D9/420
D777,037 S *	1/2017	Serafin	.....	D9/435
D778,732 S *	2/2017	Pelfrey	.....	D6/515
D782,772 S *	3/2017	Crane	.....	D99/34
D786,078 S *	5/2017	Futagami	.....	D28/8
D789,439 S *	6/2017	Inoue	.....	D16/237
D790,335 S *	6/2017	Honings	.....	D9/424
D799,328 S *	10/2017	Canamasas Puigbo	.....	D9/529
D803,681 S *	11/2017	Yang	.....	D9/432
D821,869 S *	7/2018	Cheng	.....	D9/424

(Continued)

*Primary Examiner* — Shannon W Morgan

*Assistant Examiner* — Keith Frank

(74) *Attorney, Agent, or Firm* — Mintz Levin Cohn Ferris Glovsky and Popeo, P.C.; Peter F. Corless; Carolina E. Säve

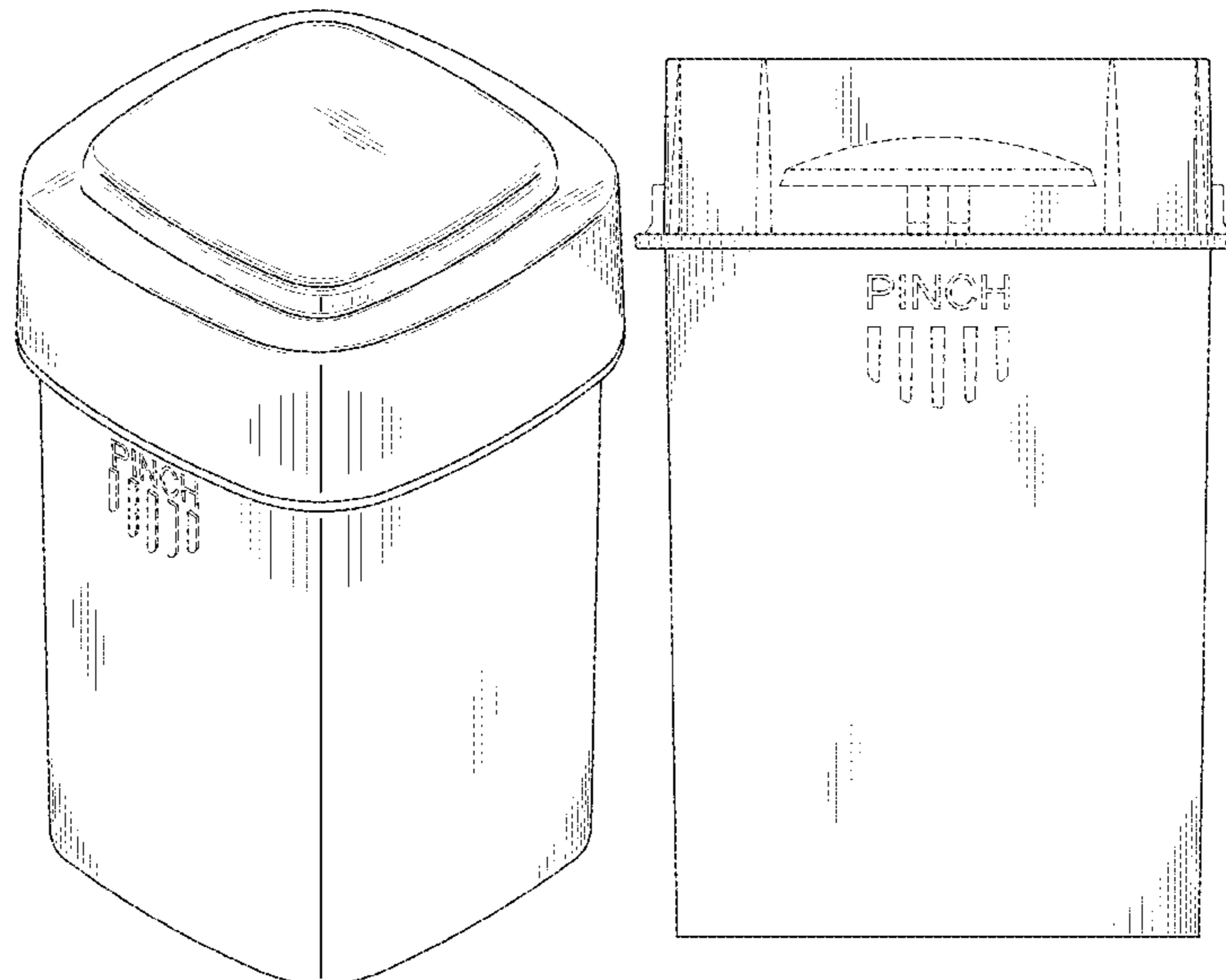
(57) **CLAIM**

The ornamental design for a container with cap, as shown and described.

**DESCRIPTION**

FIG. 1 is a perspective view of a container with cap showing our new design;  
 FIG. 2 is a first side elevation view thereof;  
 FIG. 3 is a second side elevation view thereof;  
 FIG. 4 is a top plan view thereof;  
 FIG. 5 is a bottom plan view thereof;  
 FIG. 6 is an exploded perspective view of the container with cap of FIG. 1 showing the container with cap separated and bound by a bracket;  
 FIG. 7 is a first side elevation view of the container portion shown in FIG. 6; and,  
 FIG. 8 is a second side elevation view thereof.  
 The broken lines in the drawings showing the container with cap illustrate portions of the container with cap that form no part of the claimed design.

**1 Claim, 8 Drawing Sheets**



(56)

**References Cited**

U.S. PATENT DOCUMENTS

D828,757 S \* 9/2018 Sawicki ..... D9/560  
2006/0255041 A1 \* 11/2006 Parks ..... B65D 21/0219  
220/301

\* cited by examiner

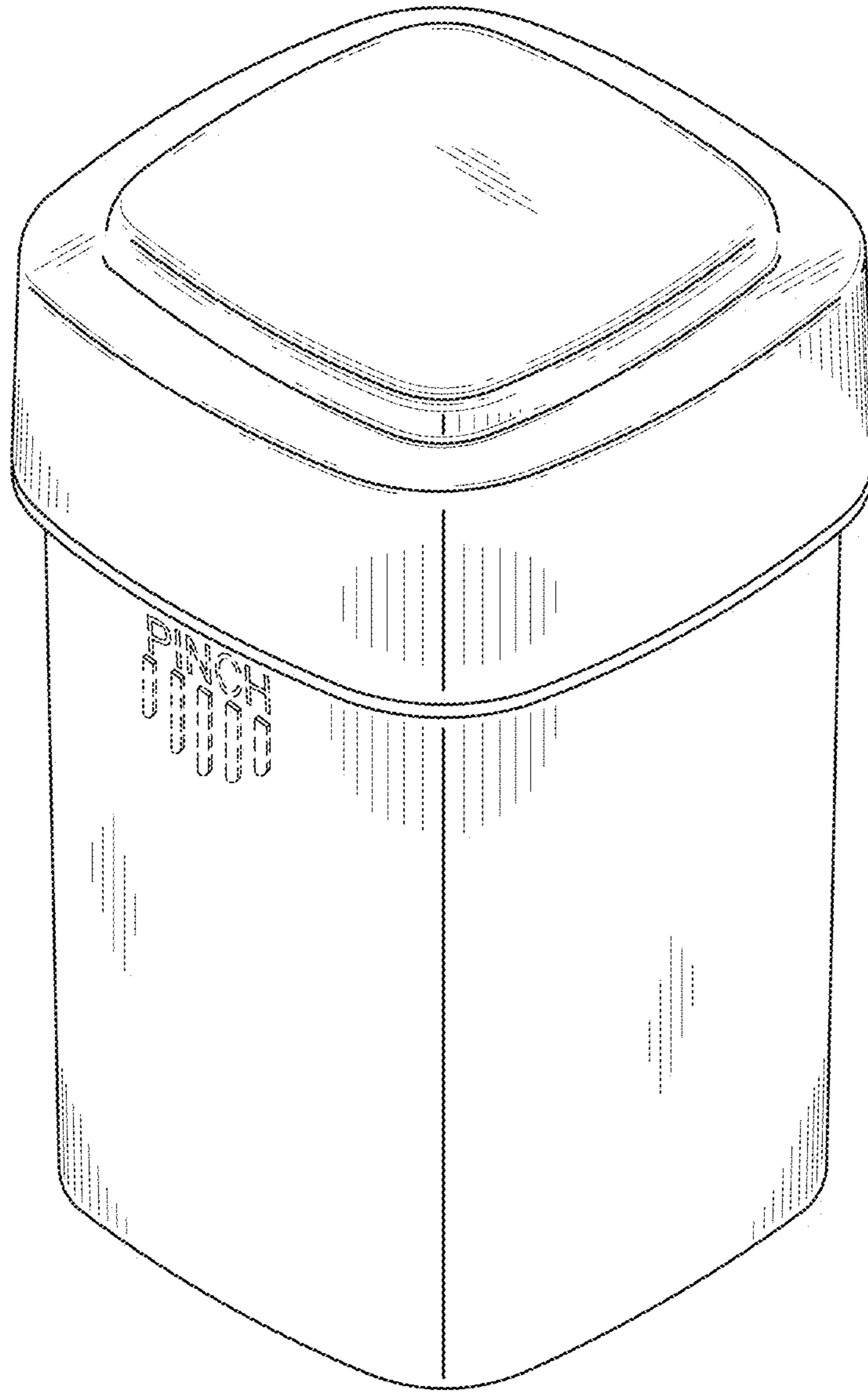


FIG. 1

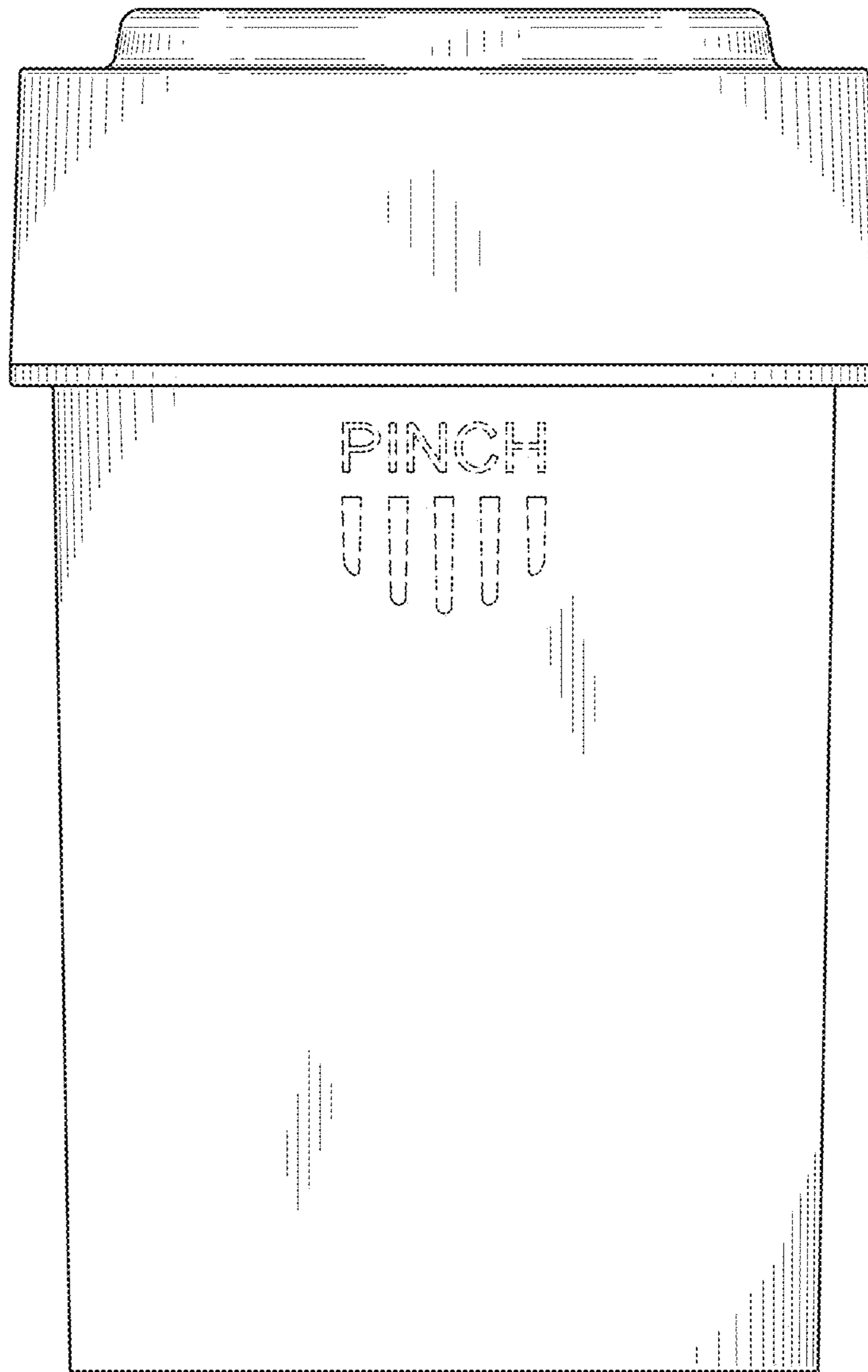


FIG. 2

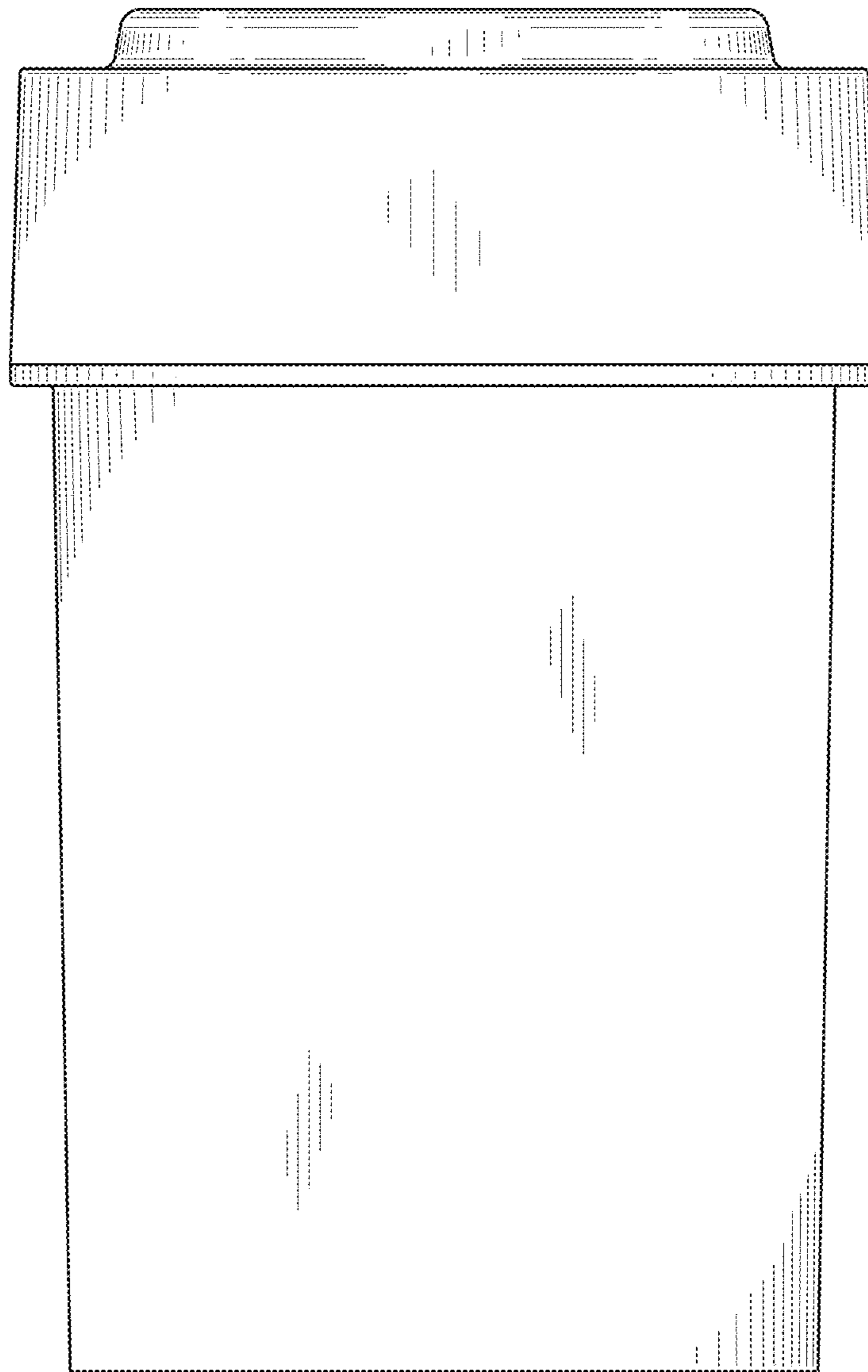


FIG. 3

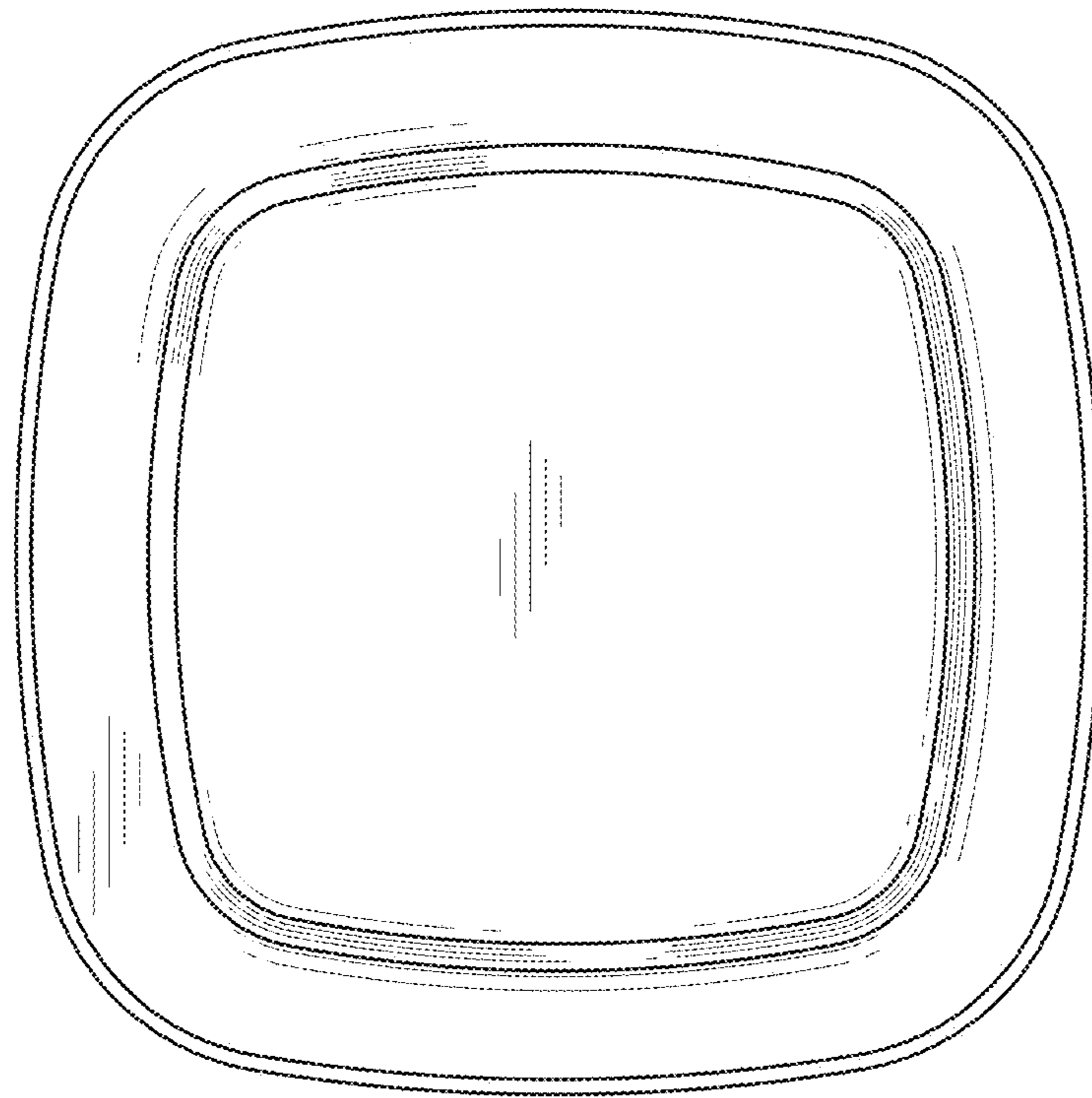


FIG. 4

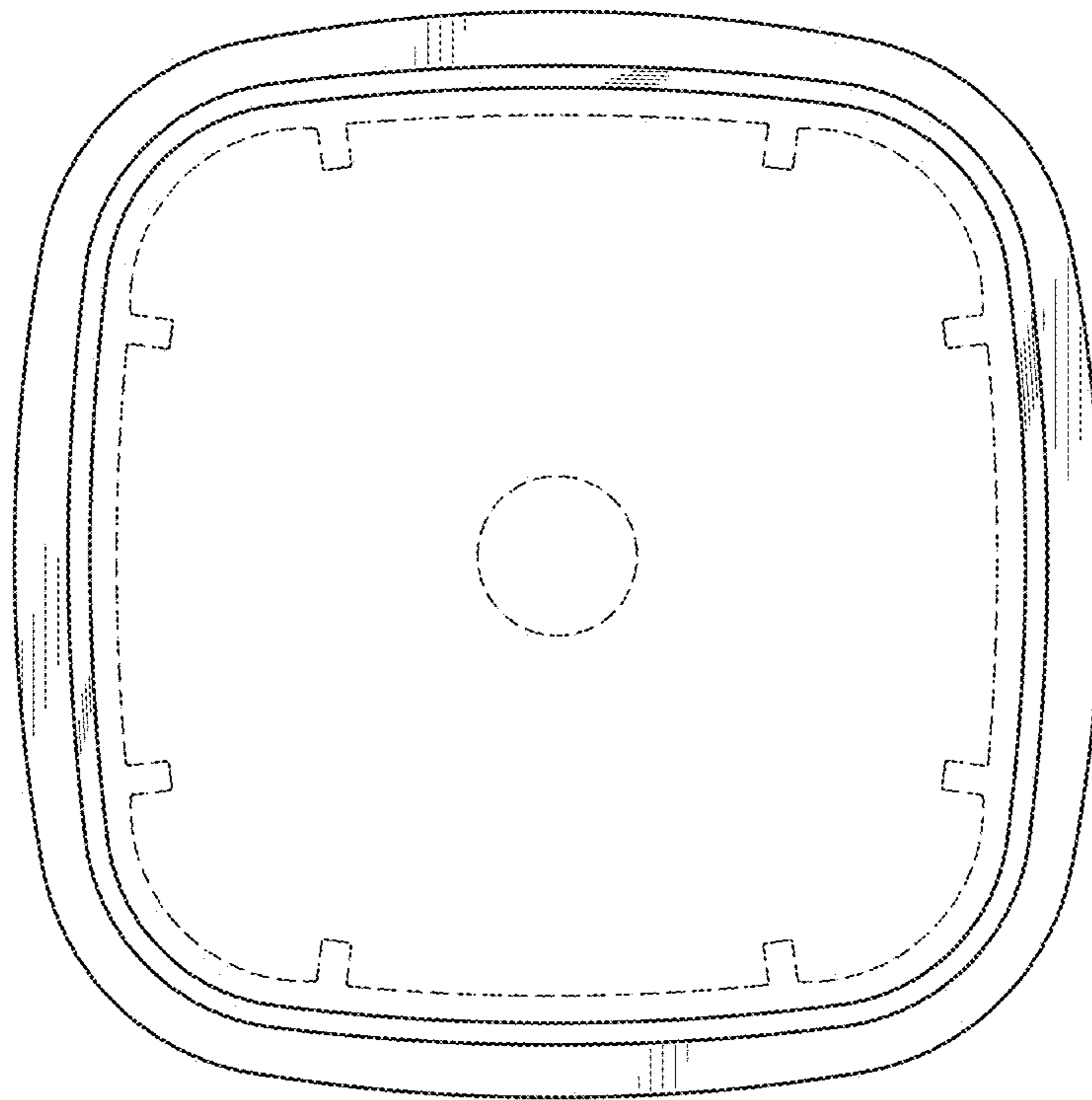


FIG. 5

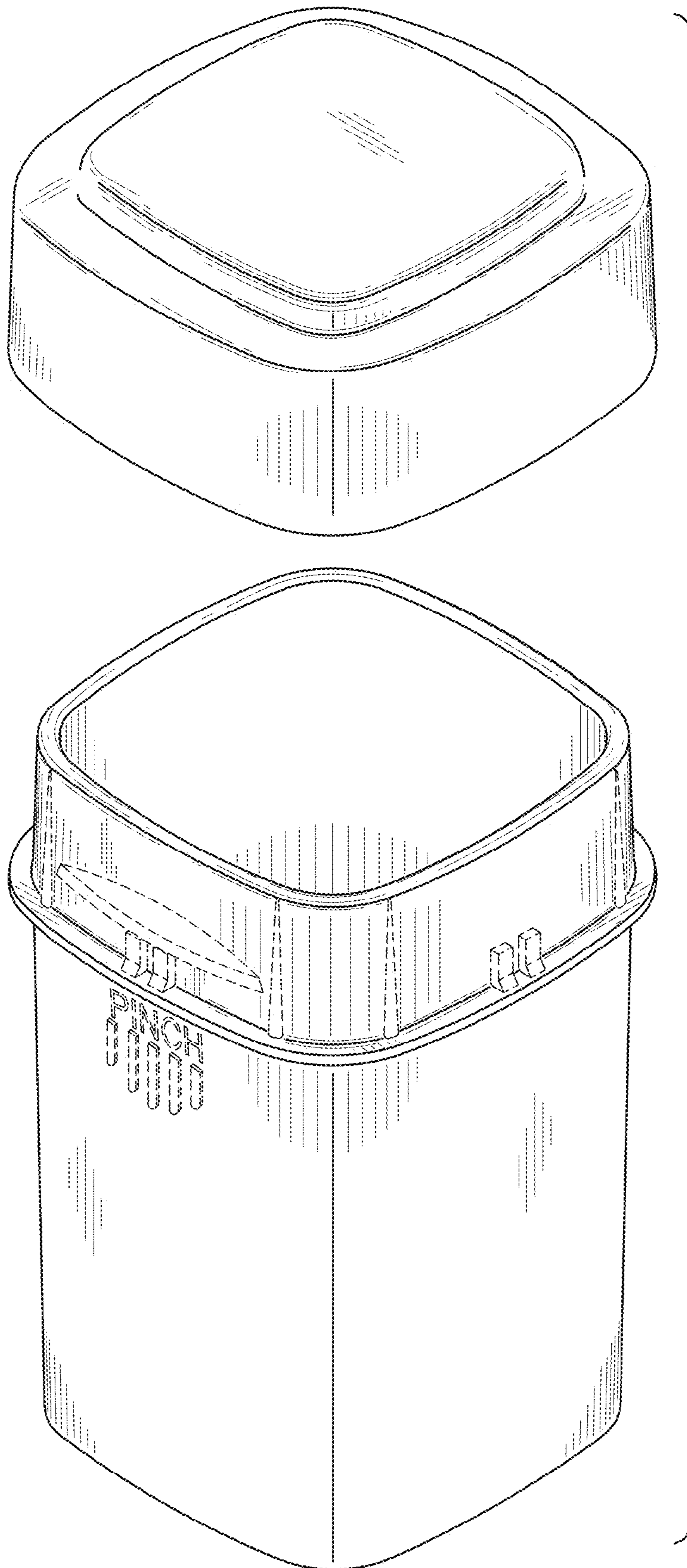


FIG. 6



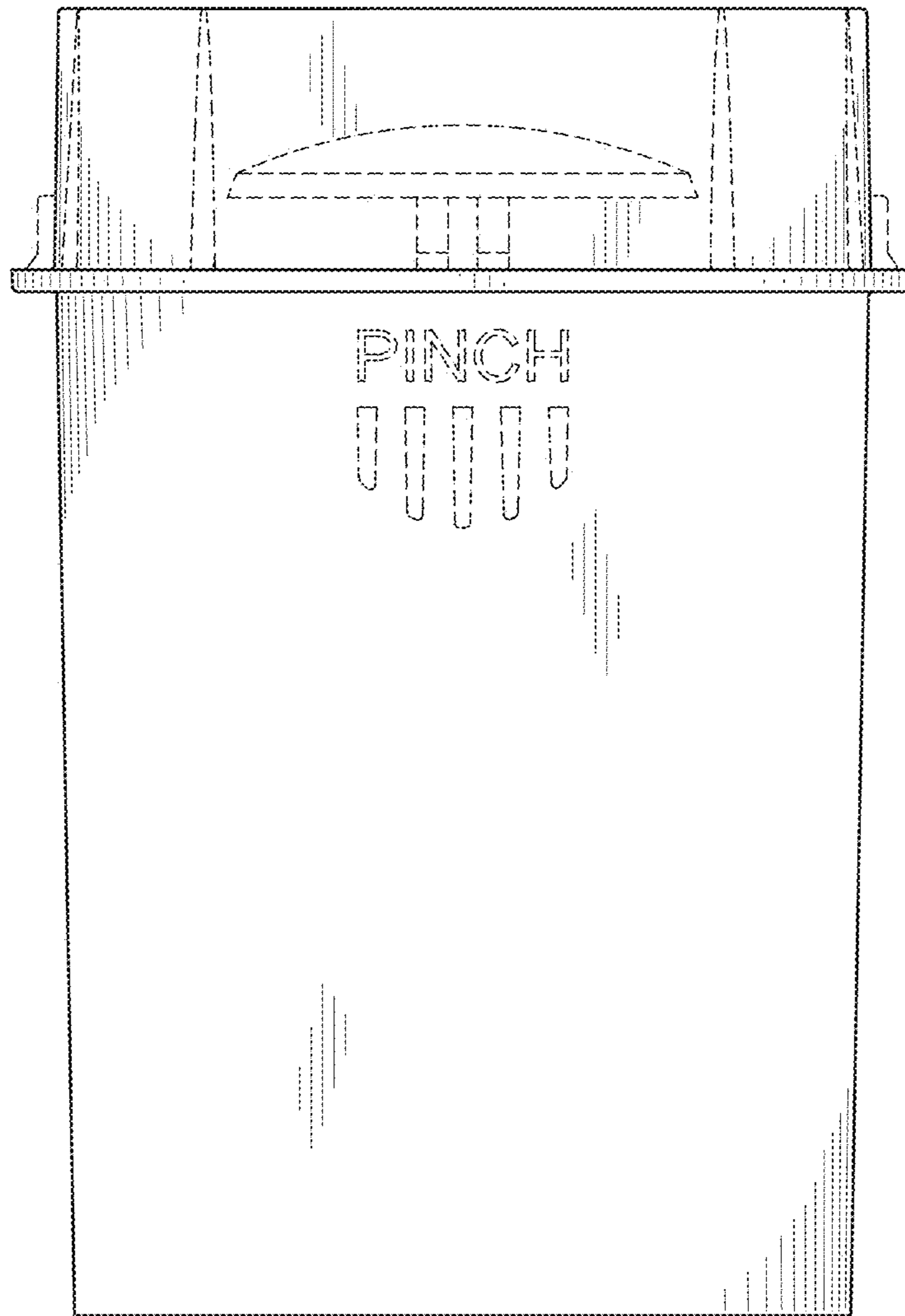


FIG. 7

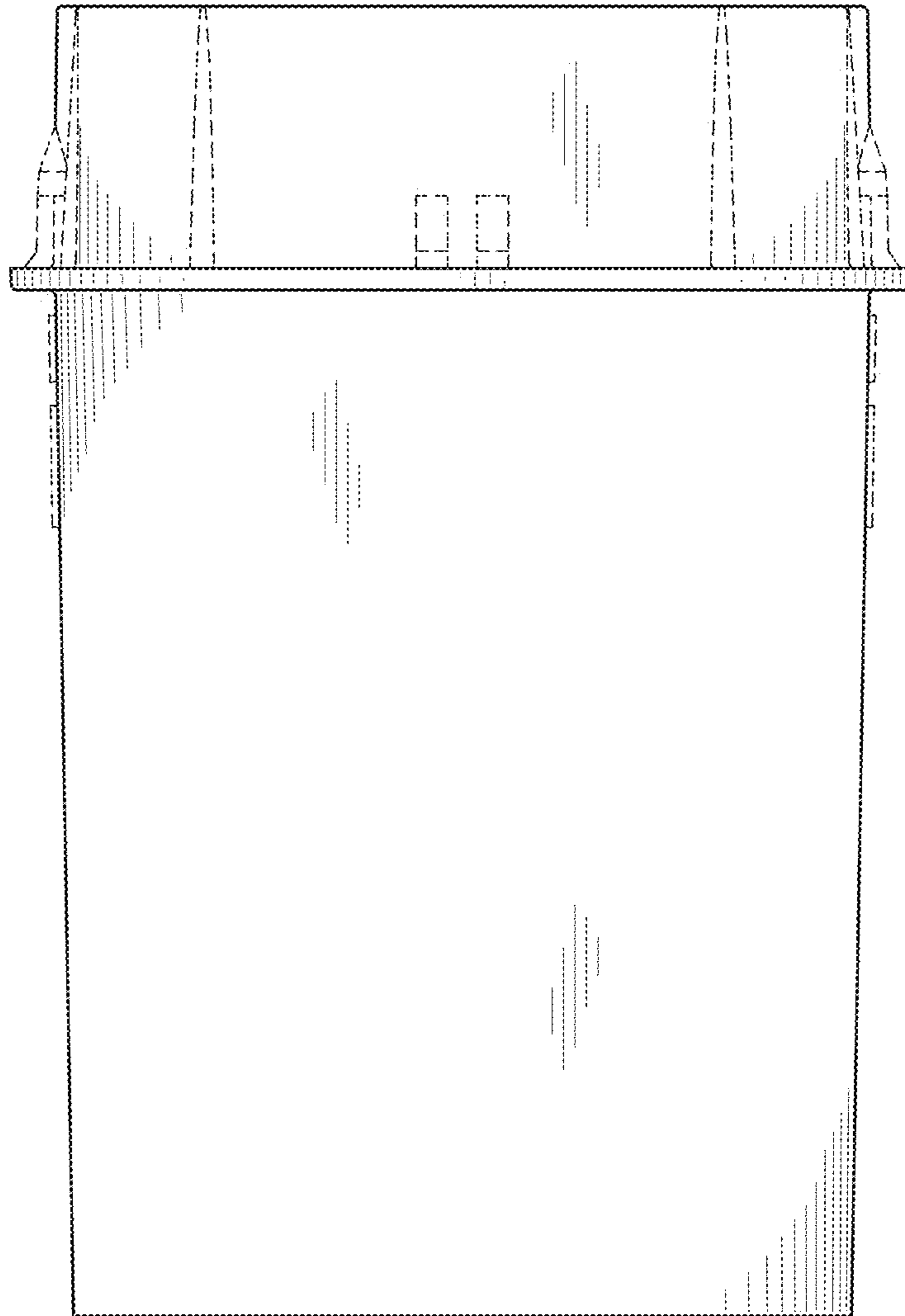


FIG. 8