



US00D899253S

(12) **United States Design Patent** (10) **Patent No.:** **US D899,253 S**  
**Natsume et al.** (45) **Date of Patent:** **\*\* Oct. 20, 2020**

(54) **INSERT FOR PACKAGING CONTAINER**

D14/308, 313, 314, 348–356, 371, 374,  
D14/441–446, 448, 450, 489, 491, 492,  
D14/494, 495; D5/6, 7, 11, 23, 25, 26,  
(Continued)

(71) Applicant: **MAGIC LEAP, INC.**, Plantation, FL  
(US)

(56) **References Cited**

(72) Inventors: **Shigeru Natsume**, Weston, FL (US);  
**Bradley Fraser**, Miami Beach, FL  
(US); **Haney Awad**, Fort Lauderdale,  
FL (US); **Sebastian Gonzalo Arrieta**  
**Gunther**, Fort Lauderdale, FL (US);  
**Masamune Kaji**, Plantation, FL (US);  
**William Wheeler**, Fort Lauderdale, FL  
(US)

U.S. PATENT DOCUMENTS

D339,063 S \* 9/1993 Simon ..... D9/432  
5,399,809 A \* 3/1995 Takenouchi ..... H01L 23/49527  
174/84 R

(Continued)

(73) Assignee: **Magic Leap, Inc.**, Plantation, FL (US)

OTHER PUBLICATIONS

Michaels Mini Black Frame: Announced Dec. 21, 2016 [online].  
Site Visited [Sep. 4, 2019]. Available from Internet URL: <https://www.michaels.com/black-mini-frame-by-studio-decor-2.5in-x-3.5in>.\*

(Continued)

(\*\*) Term: **15 Years**

*Primary Examiner* — Catherine S Posthauer

(21) Appl. No.: **29/655,043**

(74) *Attorney, Agent, or Firm* — Vista IP Law Group,  
LLP

(22) Filed: **Jun. 29, 2018**

(51) **LOC (12) Cl.** ..... **09-07**

(52) **U.S. Cl.**

USPC ..... **D9/456**

(57) **CLAIM**

The ornamental design for an insert for packaging container,  
as shown and described.

(58) **Field of Classification Search**

**DESCRIPTION**

USPC ..... D6/300, 302, 308, 546, 672, 675, 678.2;  
D7/300, 305, 306, 307, 308, 312, 313,  
D7/391, 397, 541, 550.1, 553.1, 553.2,  
D7/553.3, 555.589, 590, 601, 602, 701;  
D9/414, 415, 418, 420, 424, 425, 426,  
D9/430, 432, 433, 434, 455, 456, 457,  
D9/499, 721, 722, 737, 756, 759, 760,  
D9/761, 612, 653, 661, 674, 667; D19/3,  
D19/75, 107; D20/11, 14, 19, 21, 22, 27,  
D20/40, 42, 43, 44; D14/230, 239, 300,

FIG. 1 is a perspective view of an insert for packaging  
container showing our new design in a position of use with  
exemplary environmental subject matter of an additional  
insert and box;  
FIG. 2 is a perspective view thereof, with the exemplary  
environmental subject matter removed to show aspects of  
the design not visible when combined;  
FIG. 3 is a front view thereof;  
FIG. 4 is a rear view thereof;  
FIG. 5 is a left view thereof;  
FIG. 6 is a right view thereof;  
FIG. 7 is a top view thereof;

(Continued)

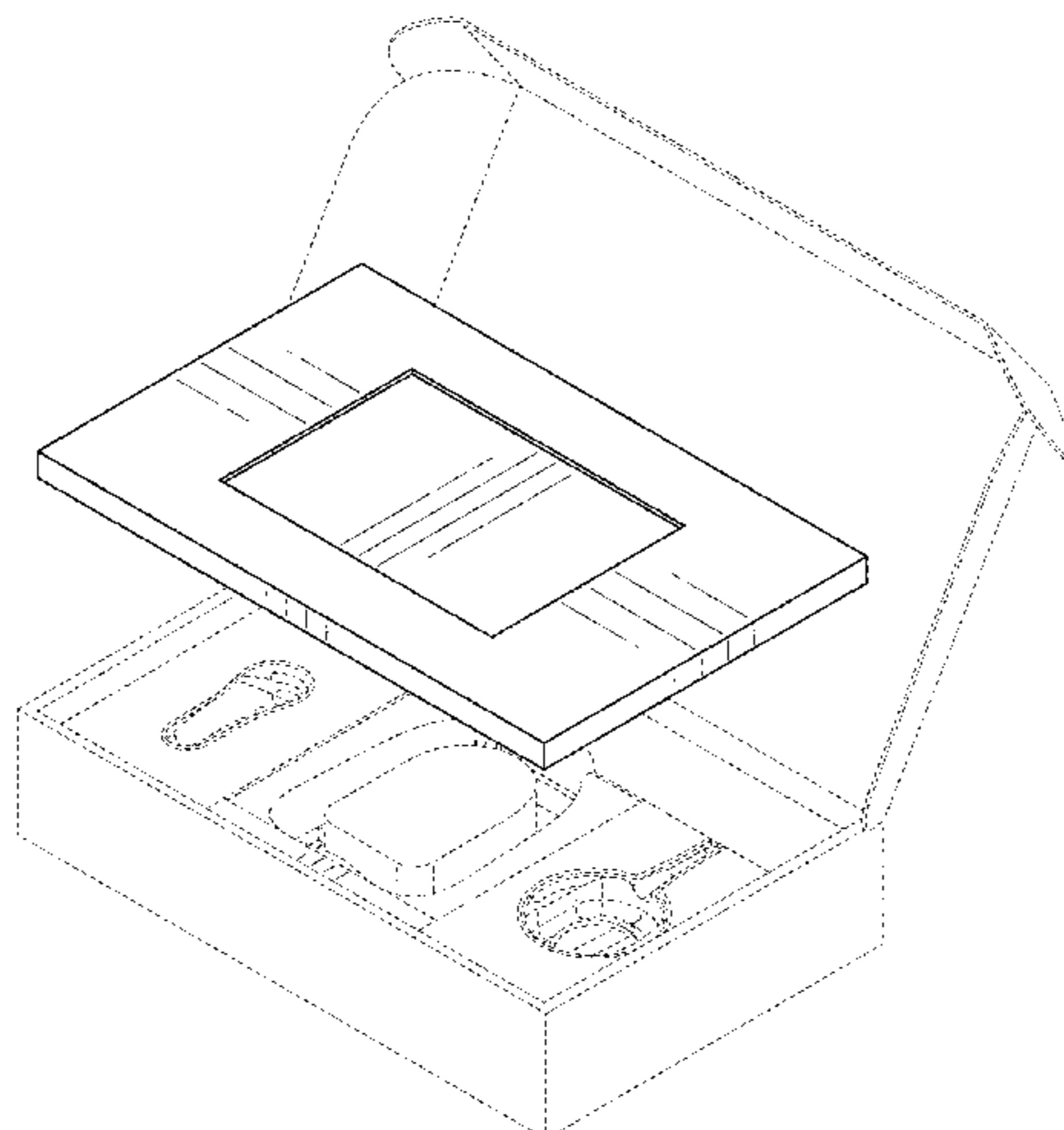


FIG. 8 is a bottom view thereof; and,  
 FIG. 9 is a perspective bottom view thereof.  
 The broken lines represent environmental subject matter of  
 an exemplary box and insert and form no part of the claimed  
 design.

**1 Claim, 9 Drawing Sheets**

(58) **Field of Classification Search**

USPC ..... D5/37, 45, 56, 57, 58, 59.6, 61, 62;  
 D3/207, 208  
 CPC ..... A47J 47/20; B65D 21/083; B65D 21/086;  
 B65D 57/00; B65D 61/02; B65D 81/133;  
 B65D 5/01; B65D 5/02; B65D 5/0254;  
 B65D 5/0045; B65D 5/18; B65D 5/2033;  
 B65D 5/38; B65D 5/40; B65D 5/48038;  
 B65D 5/48032; B65D 5/48004; B65D  
 1/24; B65D 1/34; B65D 1/38; B65D  
 1/335; B65D 77/24; B65D 77/067; B65D  
 5/00-02; B65D 5/0209-0272; B65D  
 5/029; B65D 5/72; B65D 5/541; B65D  
 5/705; B65D 5/706; B65D 5/727; B65D  
 5/4204; B65D 1/00; B65D 1/02; B65D  
 1/0233; B65D 1/22; B65D 1/32; B65D  
 1/36; B65D 1/40; B65D 1/225; B65D  
 23/00; B65D 23/12; B65D 23/14; B65D  
 2543/00296; B65D 15/08; B65D 65/22;  
 A47L 13/00; A47L 13/10; A47L 13/12;  
 A47L 13/16; A47L 13/17; A47L 13/18;  
 A47G 1/06; A47G 1/0605; A47G 1/0627;  
 A47G 1/0638; A47G 1/14; A47G 1/141;  
 A47G 1/142; A47G 1/10; A47G 1/0633

See application file for complete search history.

(56) **References Cited**

U.S. PATENT DOCUMENTS

5,779,500 A \* 7/1998 Tokuwa ..... H01R 13/743  
 439/544  
 5,958,525 A \* 9/1999 Green ..... A63H 33/22  
 428/100

6,428,925 B1 \* 8/2002 Takeno ..... H01M 2/105  
 429/163  
 D481,544 S \* 11/2003 Di Leggerini ..... D6/300  
 D587,463 S \* 3/2009 Franco ..... D6/300  
 D637,822 S \* 5/2011 Utsunomiya ..... D6/308  
 D642,385 S \* 8/2011 Lee ..... D6/308  
 D658,898 S \* 5/2012 DiNello ..... D6/300  
 D716,649 S \* 11/2014 McAdam ..... D9/418  
 D754,979 S \* 5/2016 Starck ..... D6/300  
 D767,288 S \* 9/2016 McMahan ..... D6/300  
 D779,834 S \* 2/2017 Ryan ..... D6/300  
 D804,194 S \* 12/2017 Thams ..... D6/300  
 D841,990 S \* 3/2019 Liimatainen-Jokinen ..... D6/300  
 2007/0095703 A1 \* 5/2007 Kao ..... B65D 81/133  
 206/454  
 2016/0009473 A1 \* 1/2016 Korinek ..... B65D 43/0222  
 220/200

OTHER PUBLICATIONS

Love Frame: Announced Jun. 2, 2017 [online]. Site Visited [Sep. 4, 2019]. Available from Internet URL:<https://www.turbosquid.com/3d-models/3d-love-photo-frame-1164290>.\*

Magic Leap Augmented Reality Packaging: Announced Aug. 17, 2018 [online]. Site Visited [Sep. 4, 2019]. Available from Internet URL: <https://www.youtube.com/watch?v=Vrq2akzdFq8>.\*

Woodburn's Stencil Shop Picture Cut Mat: Announced Jul. 3, 2019 [online]. Site visited [Sep. 17, 2019]. Available from Internet URL: [https://www.amazon.com/Signature-Picture-Picture-Perfect-Anniversaries-Weddings/dp/B07LH4WS5R/ref=sr\\_1\\_163?qid=1568746723&s=arts-crafts&sr=1-163](https://www.amazon.com/Signature-Picture-Picture-Perfect-Anniversaries-Weddings/dp/B07LH4WS5R/ref=sr_1_163?qid=1568746723&s=arts-crafts&sr=1-163).\*

5x7 Double Picture Mats: Announced May 21, 2013 [online]. Site Visited [Sep. 17, 2019]. Available from Internet U[https://www.amazon.com/Black-White-Double-Picture-Bevel/dp/B007KD35FM/ref=pd\\_bxgy\\_201\\_img\\_2/130-1729808-8214132?\\_encoding=UTF8&pd\\_rd\\_i=B007KD35FM&pd\\_rd\\_r=c155df88-146d-4f4c-a378-1b839d91b21e&pd](https://www.amazon.com/Black-White-Double-Picture-Bevel/dp/B007KD35FM/ref=pd_bxgy_201_img_2/130-1729808-8214132?_encoding=UTF8&pd_rd_i=B007KD35FM&pd_rd_r=c155df88-146d-4f4c-a378-1b839d91b21e&pd).\*

\* cited by examiner

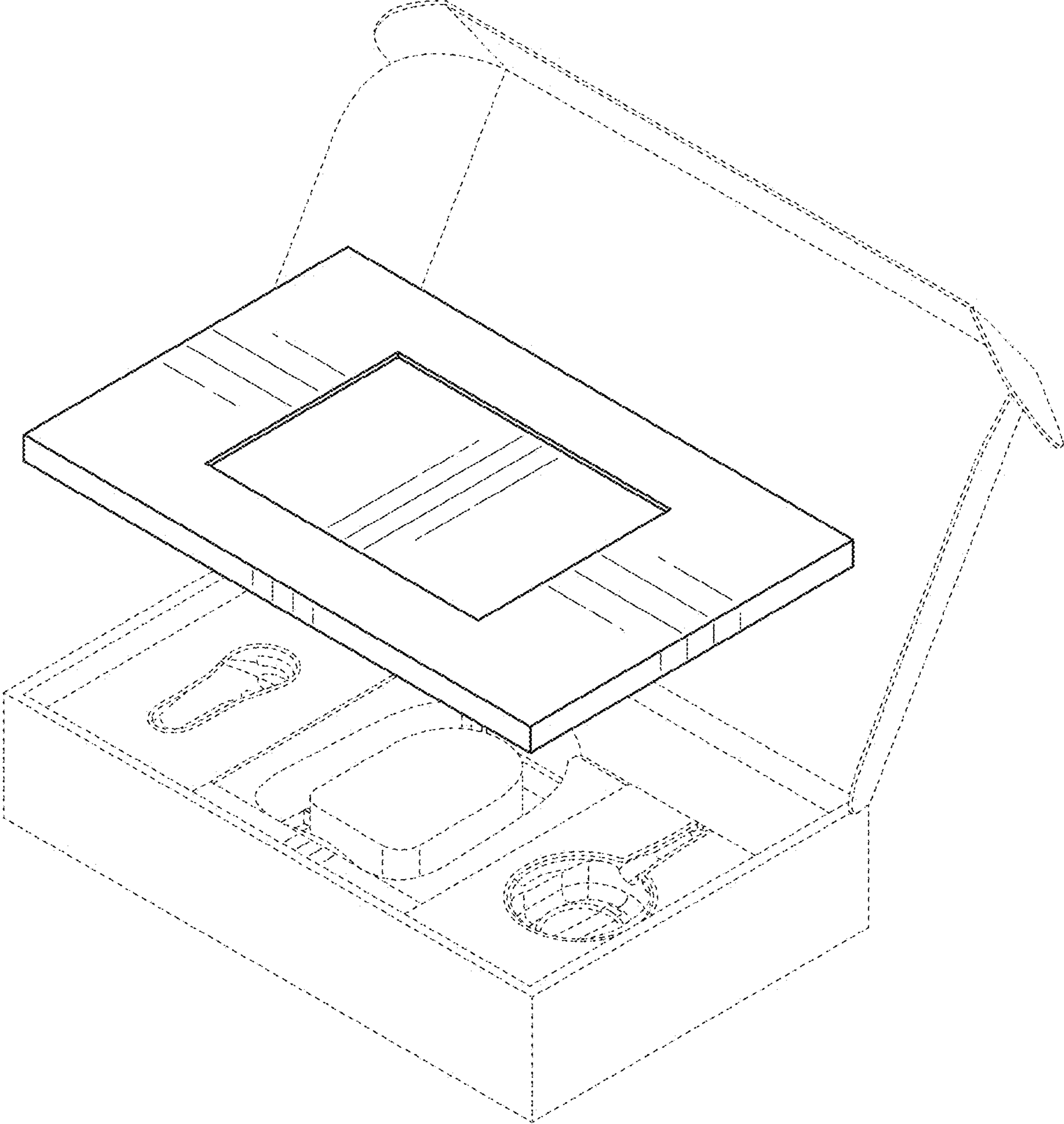


FIG. 1

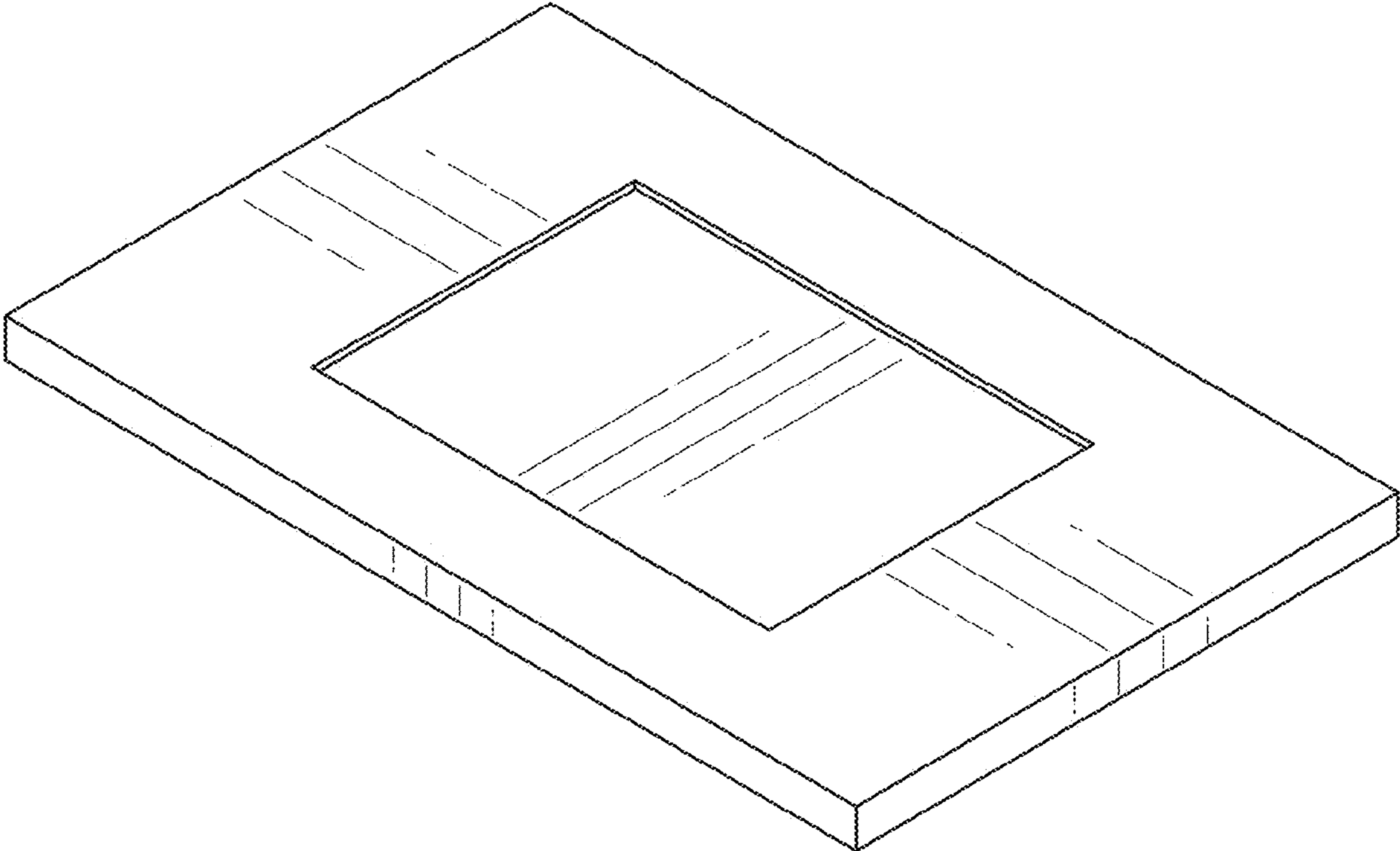


FIG. 2



FIG. 3



FIG. 4



FIG. 5



FIG. 6



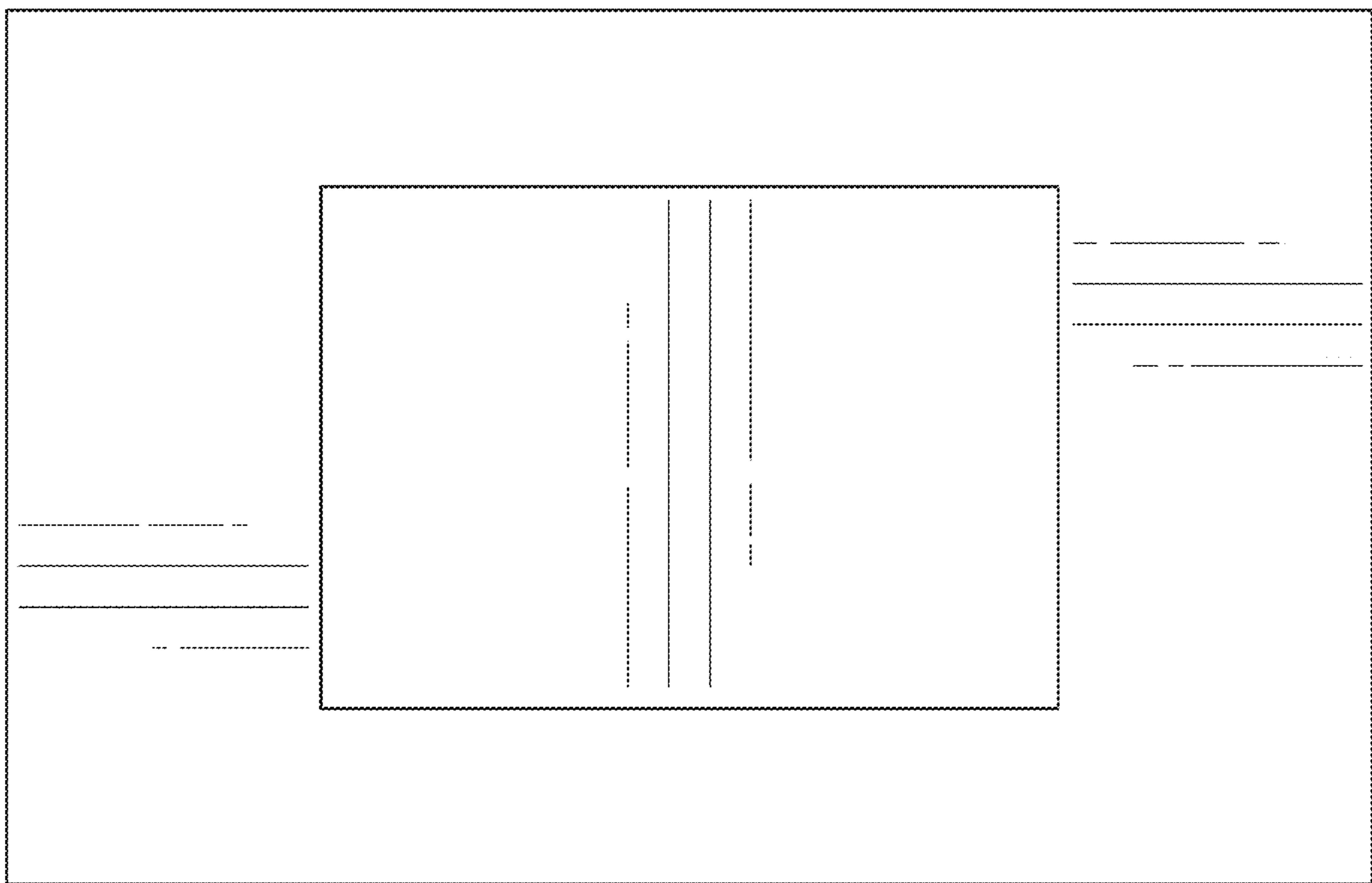


FIG. 7

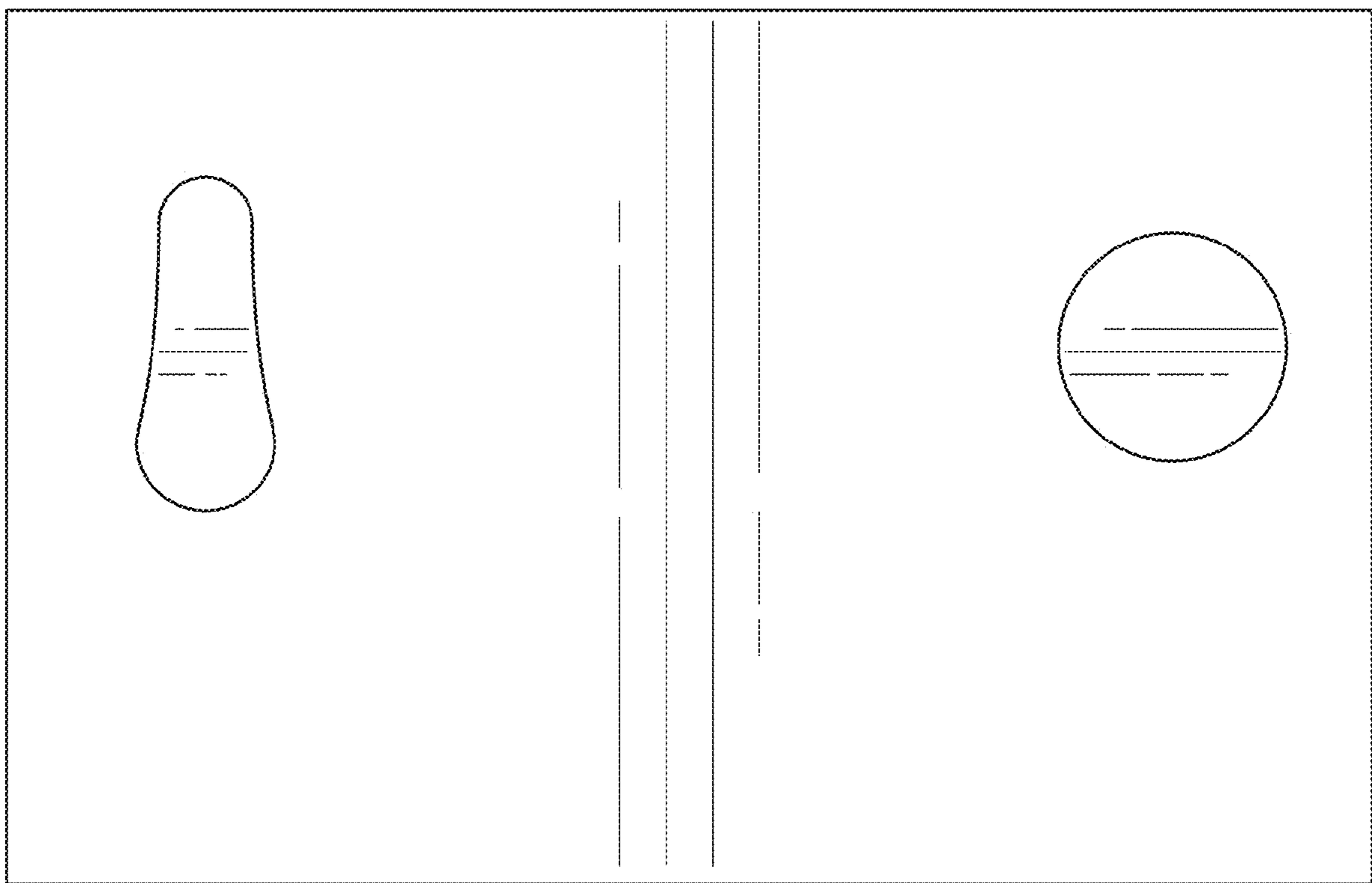


FIG. 8

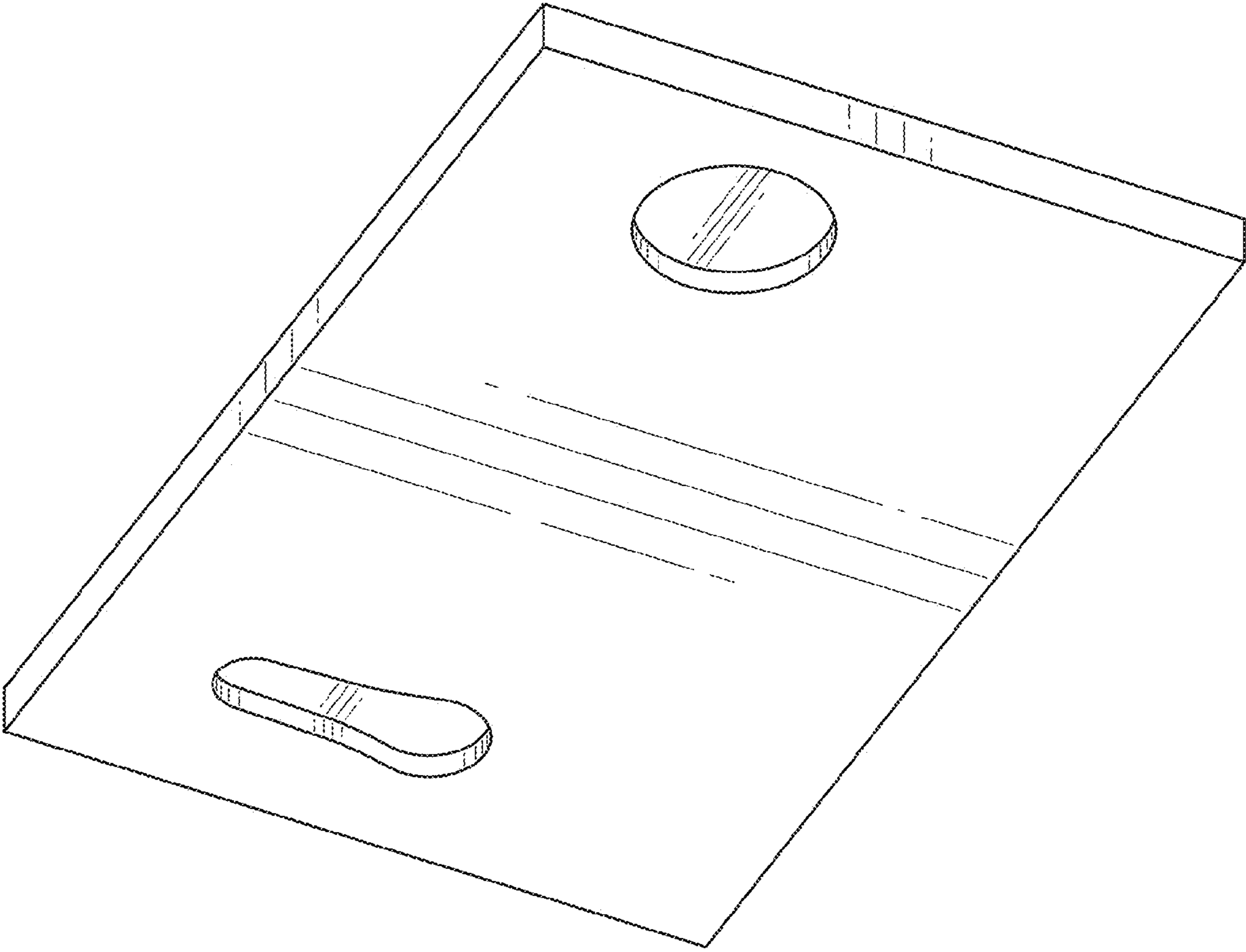


FIG. 9