



US00D899250S

(12) **United States Design Patent**
Yang et al.

(10) **Patent No.:** **US D899,250 S**

(45) **Date of Patent:** **** Oct. 20, 2020**

(54) **DISPENSING STOPPER**

(71) Applicant: **CJK PACKAGING LIMITED,**
Chapel en le Frith (GB)

(72) Inventors: **Jinli Yang,** Shanghai (CN); **Qi Cheng,**
Shanghai (CN)

(**) Term: **15 Years**

(21) Appl. No.: **35/506,343**

(22) Filed: **Nov. 22, 2018**

(80) **Hague Agreement Data**

Int. Filing Date: **Nov. 22, 2018**

Int. Reg. No.: **DM/200007**

Int. Reg. Date: **Nov. 22, 2018**

Int. Reg. Pub. Date: **Jan. 25, 2019**

(30) **Foreign Application Priority Data**

Jul. 3, 2018 (CN) 2018 3 0353513

(51) **LOC (12) Cl.** **09-07**

(52) **U.S. Cl.**
USPC **D9/440**

(58) **Field of Classification Search**

USPC D9/440, 449, 447, 436, 446; D32/37;
D7/392.1, 398, 300.1; D8/330; D24/108

CPC B65D 47/06; B65D 47/32; G11B 33/0488
See application file for complete search history.

(56) **References Cited**

U.S. PATENT DOCUMENTS

D411,106 S * 6/1999 Conrad D9/436
D419,071 S * 1/2000 Peters D9/449
D421,222 S * 2/2000 Boyer D9/447
D462,817 S * 9/2002 Yang D32/37
6,669,018 B2 * 12/2003 Lau G11B 33/0488
206/308.2
D614,440 S * 4/2010 Cresswell D7/392.1

D678,767 S * 3/2013 Haley D9/440
D696,114 S * 12/2013 Arch D9/449
D701,444 S * 3/2014 Kruest D8/330
D701,764 S * 4/2014 Brower D9/440
D730,730 S * 6/2015 Haley D9/440
RE45,611 E * 7/2015 Haley B65D 47/06
D739,674 S * 9/2015 Bergstrom D7/300.1
D741,176 S * 10/2015 Bell D9/446
9,394,089 B2 * 7/2016 Silvers B65D 47/32
D799,958 S * 10/2017 Butruille D9/440
D802,743 S * 11/2017 Davis D24/108
D809,919 S * 2/2018 Carlson D9/436

(Continued)

Primary Examiner — Rhea Shields

(57) **CLAIM**

The ornamental design for a dispensing stopper, as shown and described.

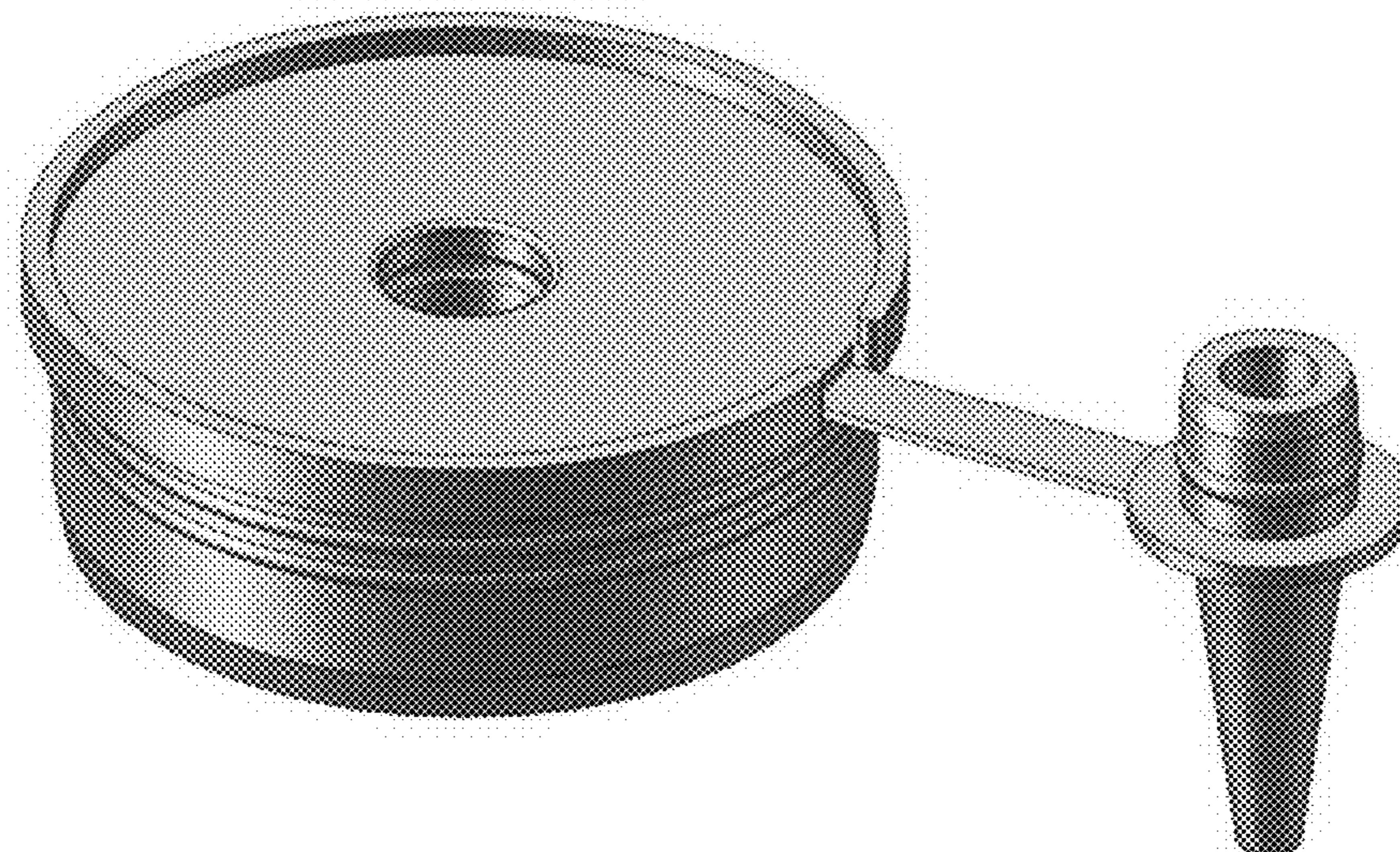
DESCRIPTION

The patent or application file contains at least one drawing executed in color. Copies of this patent or patent application publication with color drawing(s) will be provided by the Office upon request and payment of the necessary fee.

- 1. Dispensing stopper
- 1.1 is a side view;
- 1.2 is a side view;
- 1.3 is a front view;
- 1.4 is a rear view;
- 1.5 is a top view;
- 1.6 is a bottom view;
- 1.7 is a perspective view; and
- 1.8 is a closed perspective view.

A hinged, flip-top plug for fitting to the mouth of a bottle, to act as a dispensing stopper. The bottle is for e.g. containing and dispensing a liquid product. The plug has a discrete dispensing nozzle part connected to the main plug body by a strip, the strip being hingeable to enable the nozzle part to be folded over and attached to the main plug body ready for use.

1 Claim, 8 Drawing Sheets
(8 of 8 Drawing Sheet(s) Filed in Color)



(56)

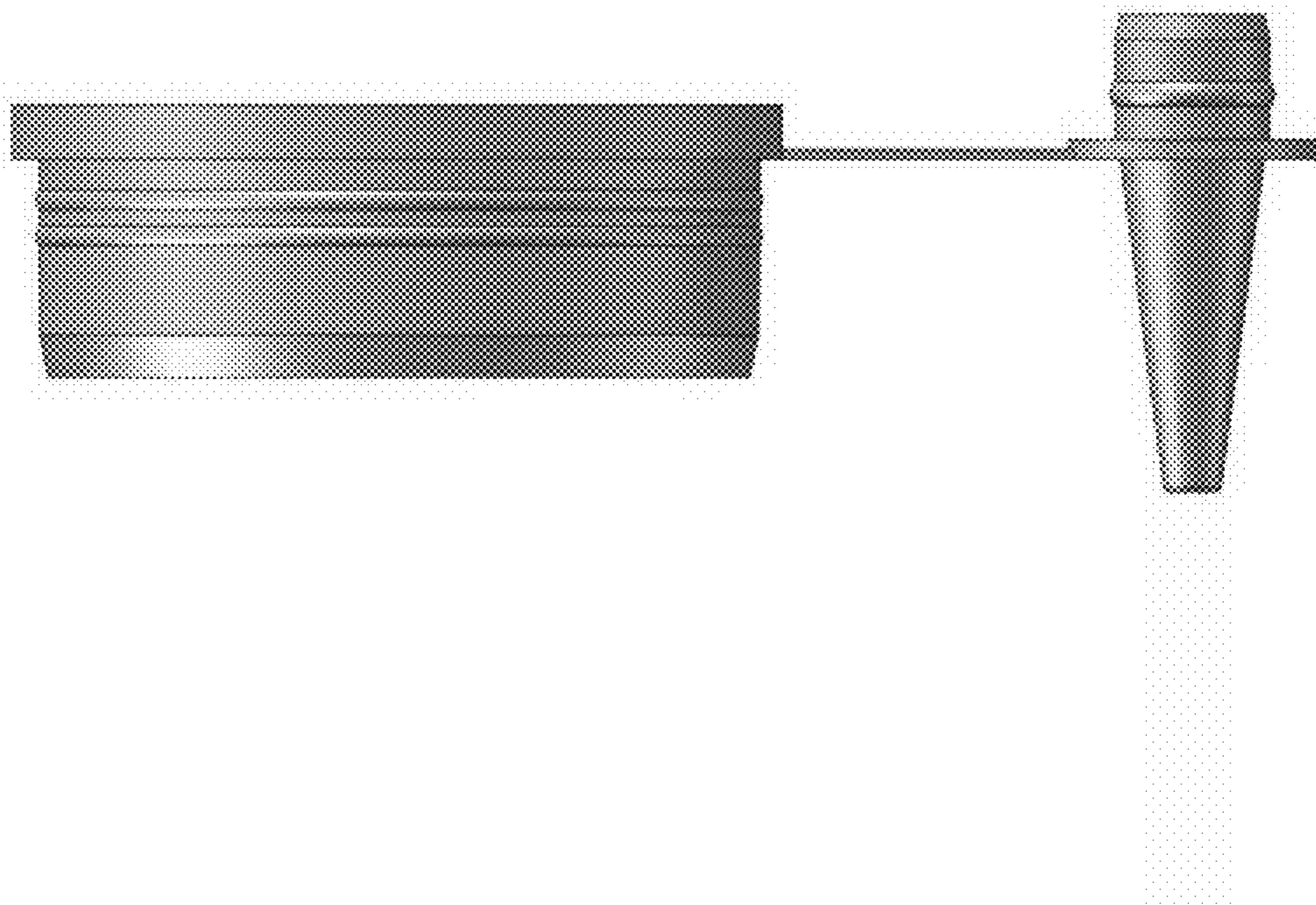
References Cited

U.S. PATENT DOCUMENTS

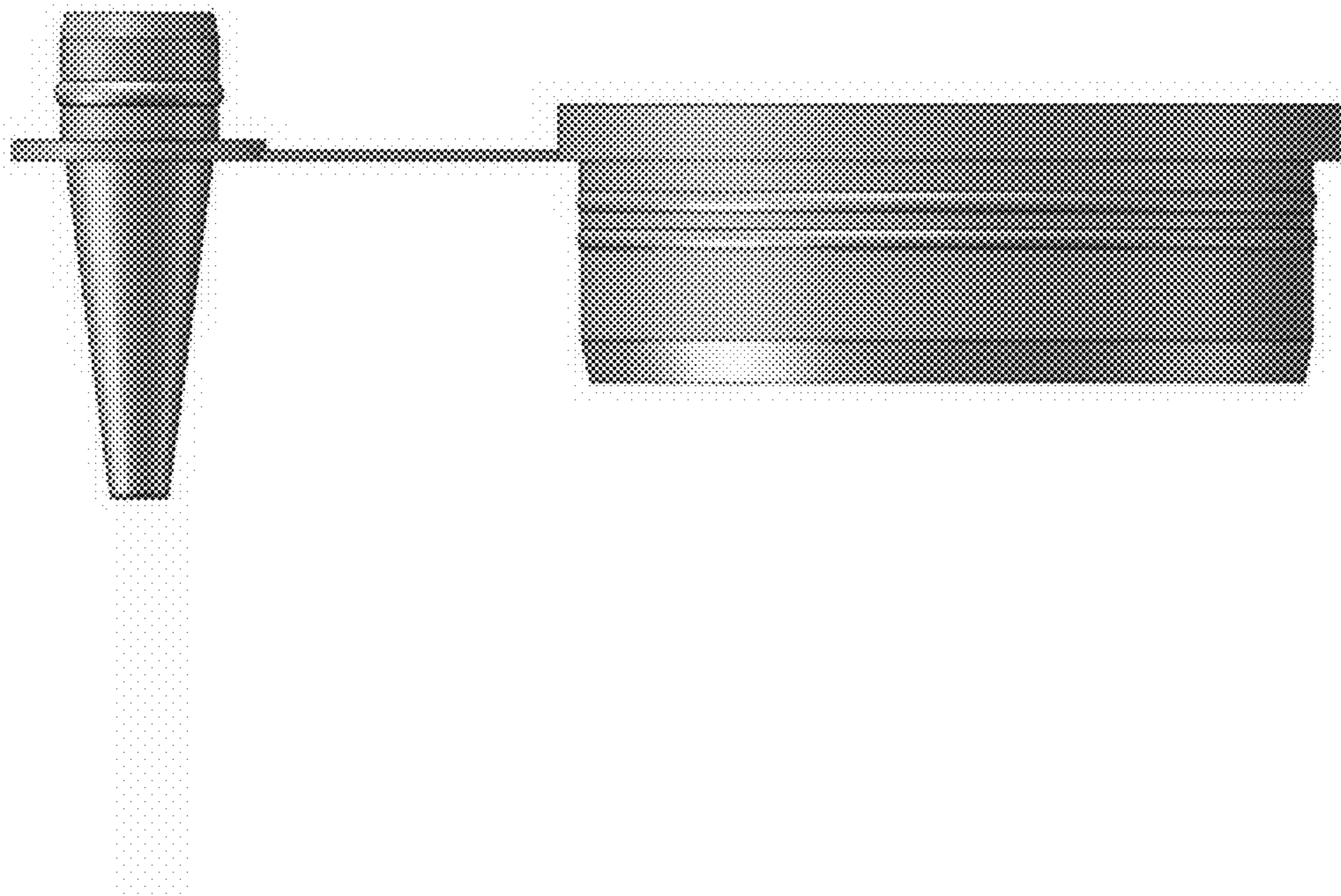
D820,085 S *	6/2018	Moore	D9/449
D853,238 S *	7/2019	Yao	D9/436
D854,414 S *	7/2019	Michailides	D9/449
D859,915 S *	9/2019	Beckerman	D7/398

* cited by examiner

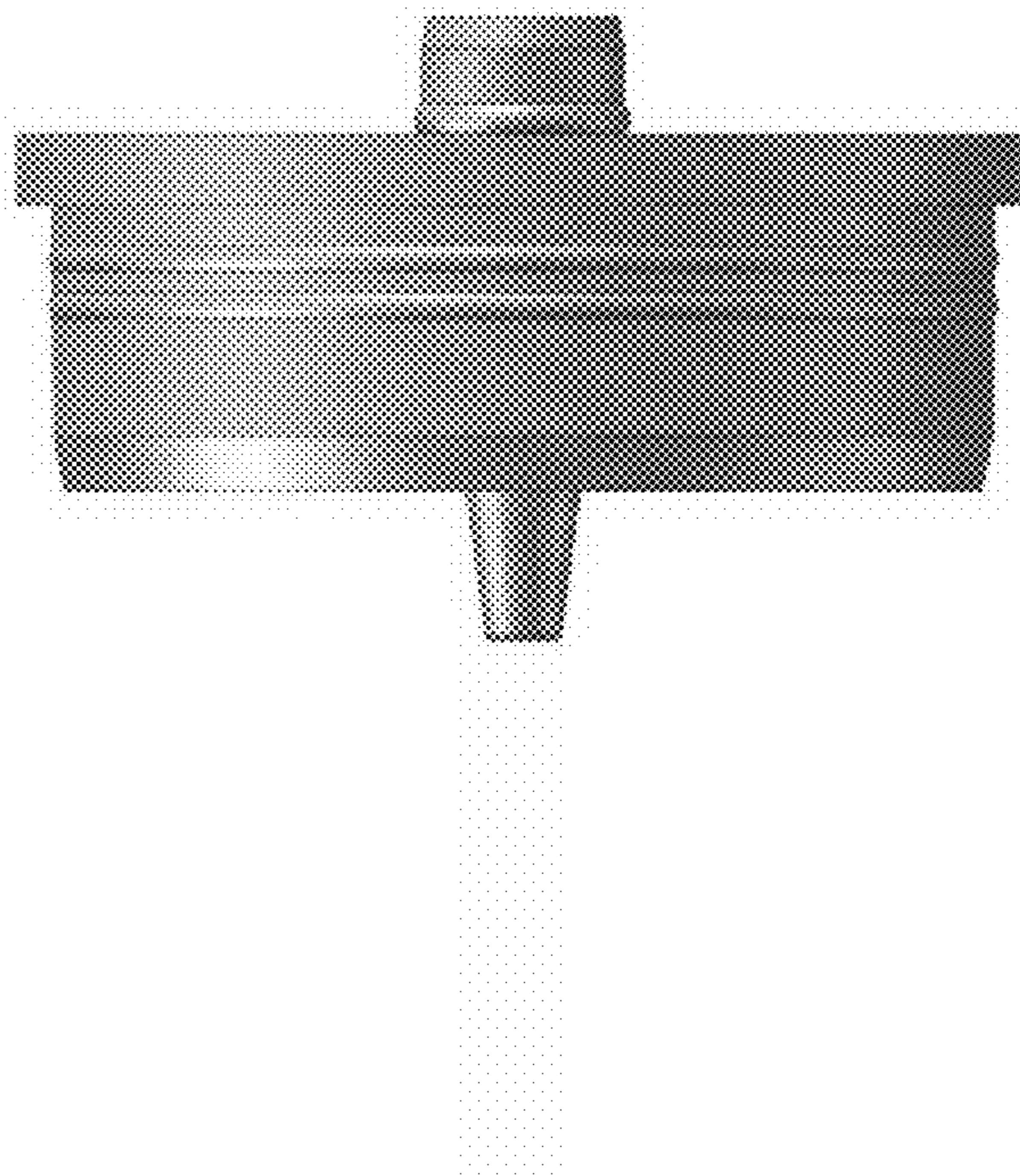
1.1



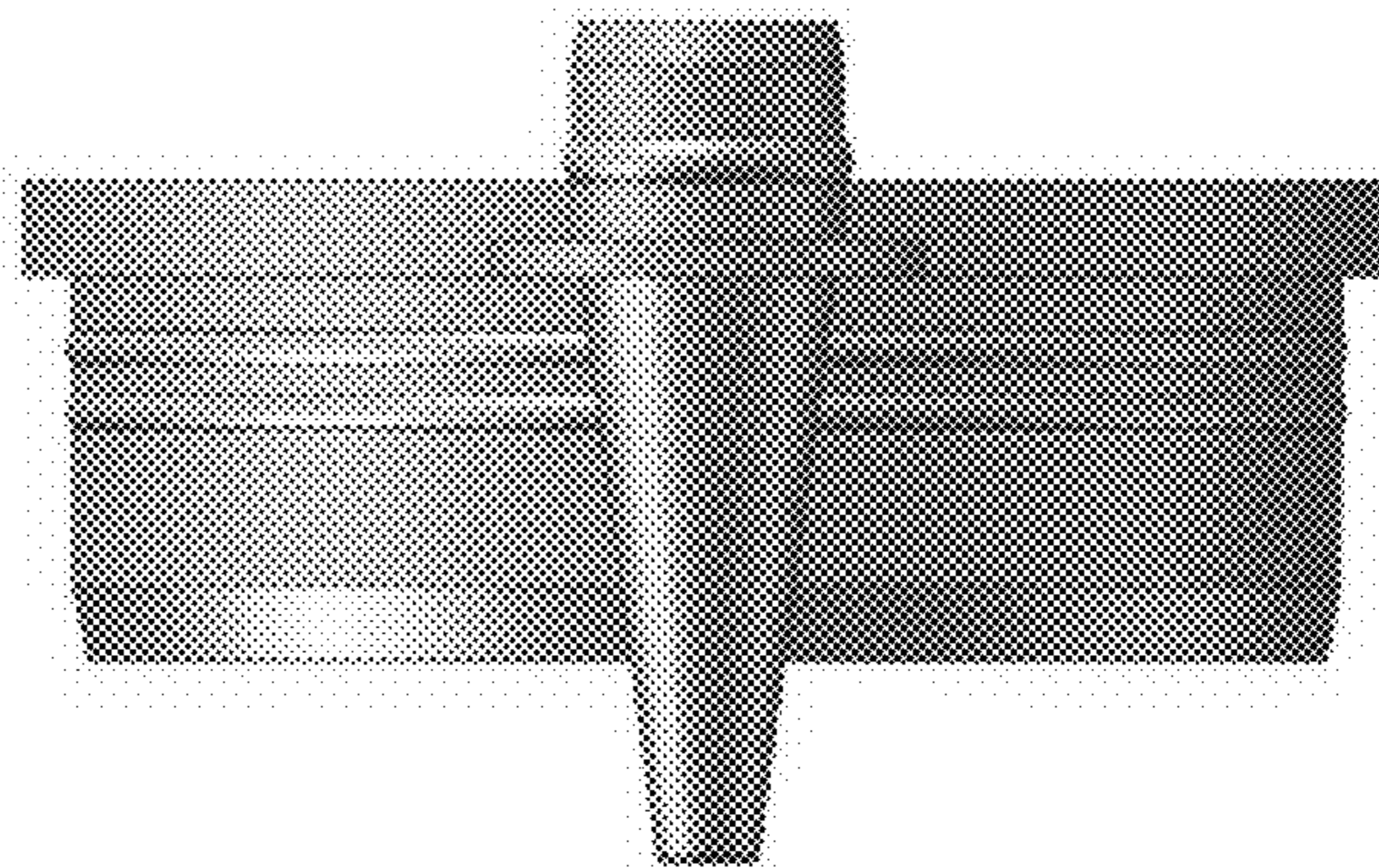
1.2



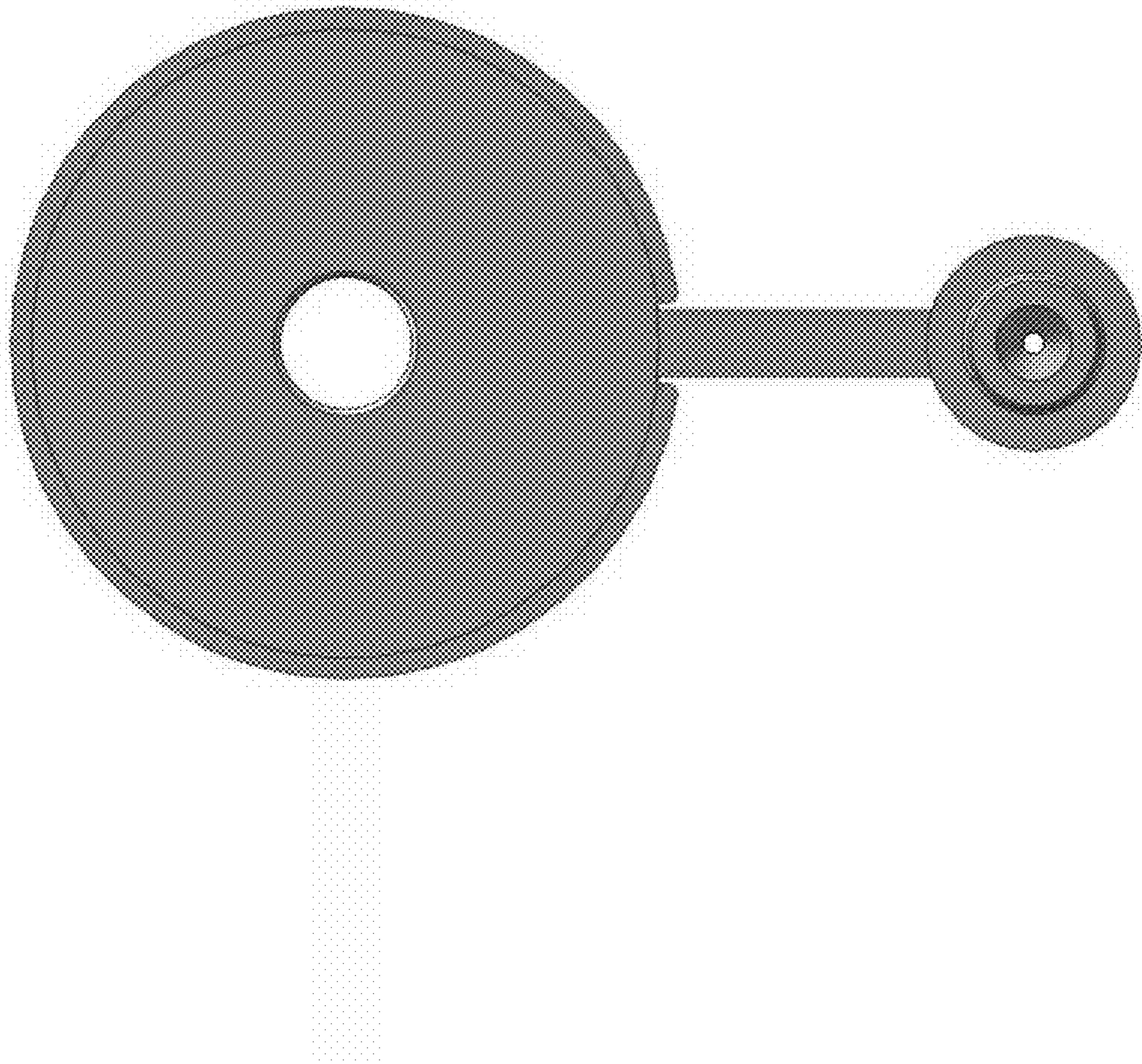
1.3



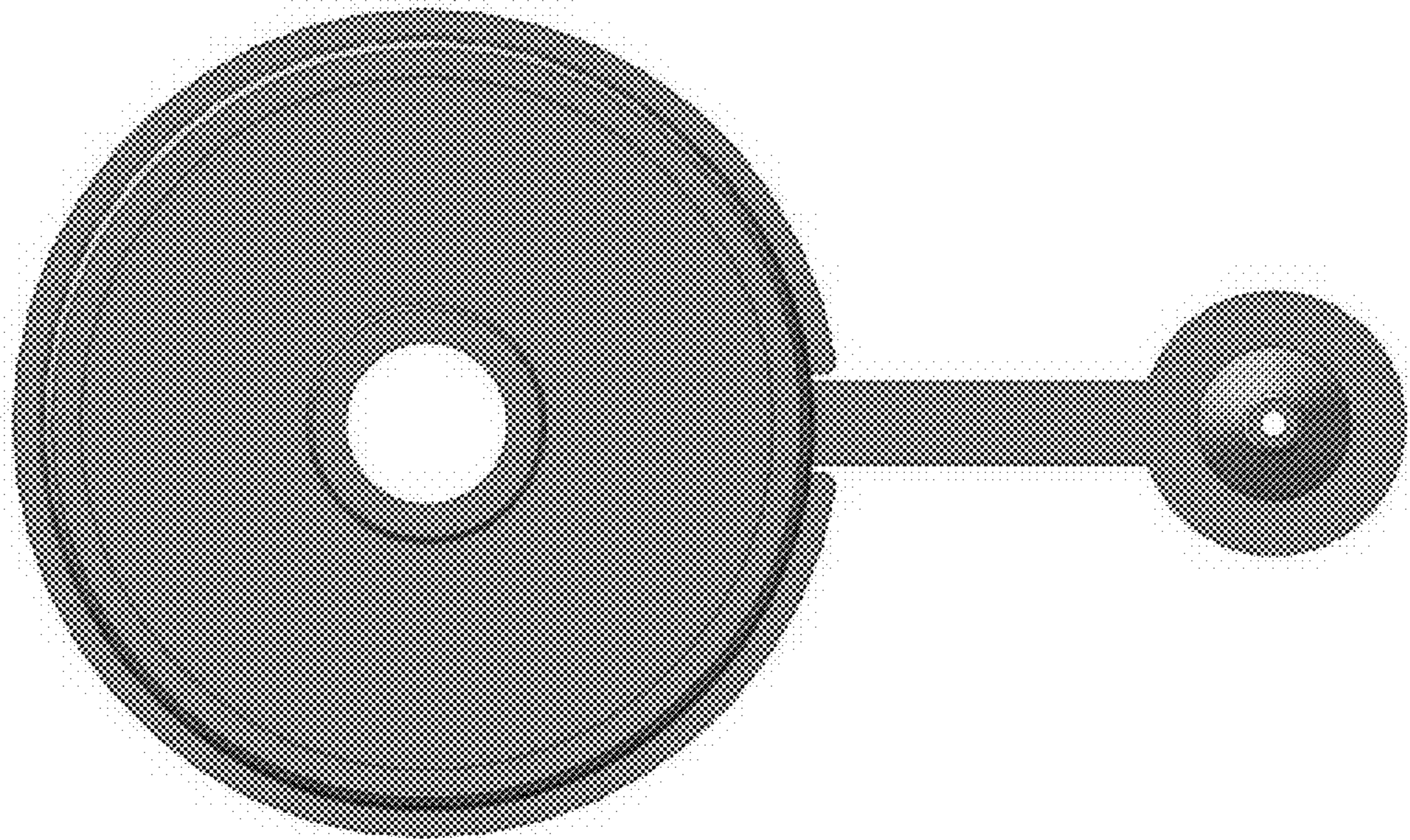
1.4



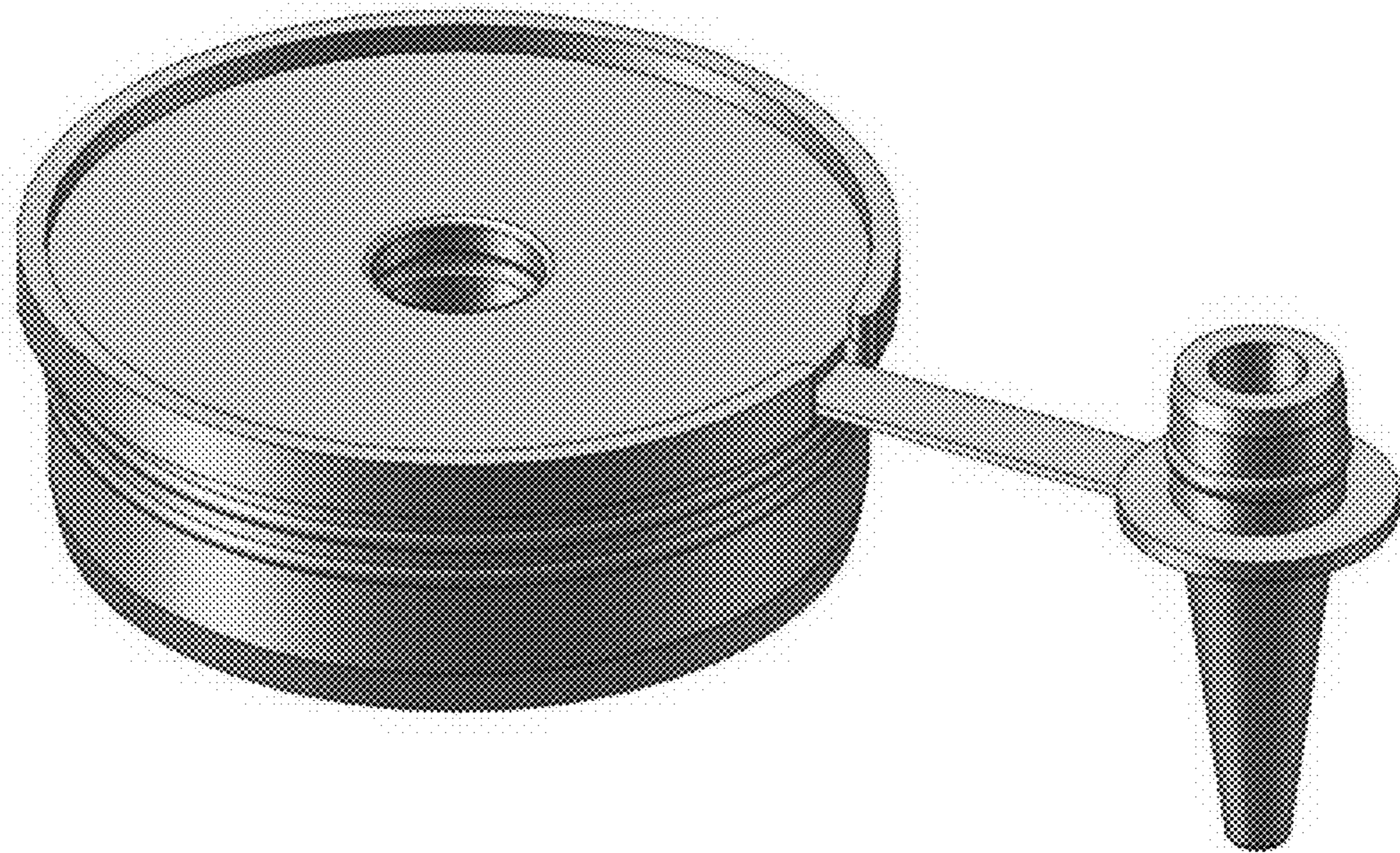
1.5



1.6



1.7



1.8

