



US00D899247S

(12) **United States Design Patent**
Kilduff et al.

(10) **Patent No.:** **US D899,247 S**

(45) **Date of Patent:** **** Oct. 20, 2020**

(54) **ACCESS-RESISTANT HOLDER**

(71) Applicant: **POLLEN GEAR LLC**, Hermosa Beach, CA (US)

(72) Inventors: **Edward Kilduff**, New York, NY (US);
Shane Grant Blomberg, Brooklyn, NY (US)

(73) Assignee: **Pollen Gear LLC**, Hermosa Beach, CA (US)

(**) Term: **15 Years**

(21) Appl. No.: **29/658,099**

(22) Filed: **Jul. 27, 2018**

(51) **LOC (12) Cl.** **09-03**

(52) **U.S. Cl.**
USPC **D9/432; D9/418**

(58) **Field of Classification Search**
USPC D9/414–433, 434, 456, 457, 711, 713,
D9/721–722, 737, 756, 758, 759, 760;
(Continued)

(56) **References Cited**

U.S. PATENT DOCUMENTS

3,888,350 A * 6/1975 Horvath B65D 43/12
206/531
4,113,098 A * 9/1978 Howard A61J 1/03
206/1.5

(Continued)

OTHER PUBLICATIONS

Button Box Pollen Gear. [online] Retrieved Mar. 11, 2020 from
URL: <https://pollengear.com/button-box-packaging/>.*

(Continued)

Primary Examiner — Vy N Koenig

(74) *Attorney, Agent, or Firm* — RMCK Law Group PLC

(57) **CLAIM**

The ornamental design for an access-resistant holder, as shown and described.

DESCRIPTION

FIG. 1 is a top perspective view of an access-resistant holder in an open condition according to a first embodiment of the claimed design.

FIG. 2 is a bottom perspective view of the access-resistant holder of FIG. 1.

FIG. 3 is a first side view of the access-resistant holder of FIG. 1.

FIG. 4 is a second side view of the access-resistant holder of FIG. 1.

FIG. 5 is a third side view of the access-resistant holder of FIG. 1.

FIG. 6 is a fourth side view of the access-resistant holder of FIG. 1.

FIG. 7 is a top view of the access-resistant holder of FIG. 1.

FIG. 8 is a bottom view of the access-resistant holder of FIG. 1.

FIG. 9 is a top perspective view of an access-resistant holder of FIG. 1 in a closed condition.

FIG. 10 is a bottom perspective view of the access-resistant holder of FIG. 9.

FIG. 11 is a first side view of the access-resistant holder of FIG. 9.

FIG. 12 is a second side view of the access-resistant holder of FIG. 9.

FIG. 13 is a third side view of the access-resistant holder of FIG. 9.

FIG. 14 is a fourth side view of the access-resistant holder of FIG. 9.

FIG. 15 is a top view of the access-resistant holder of FIG. 9.

FIG. 16 is a bottom view of the access-resistant holder of FIG. 9.

FIG. 17 is a top perspective view of an access-resistant holder in an open condition according to a second embodiment of the claimed design.

FIG. 18 is a bottom perspective view of the access-resistant holder of FIG. 17.

(Continued)

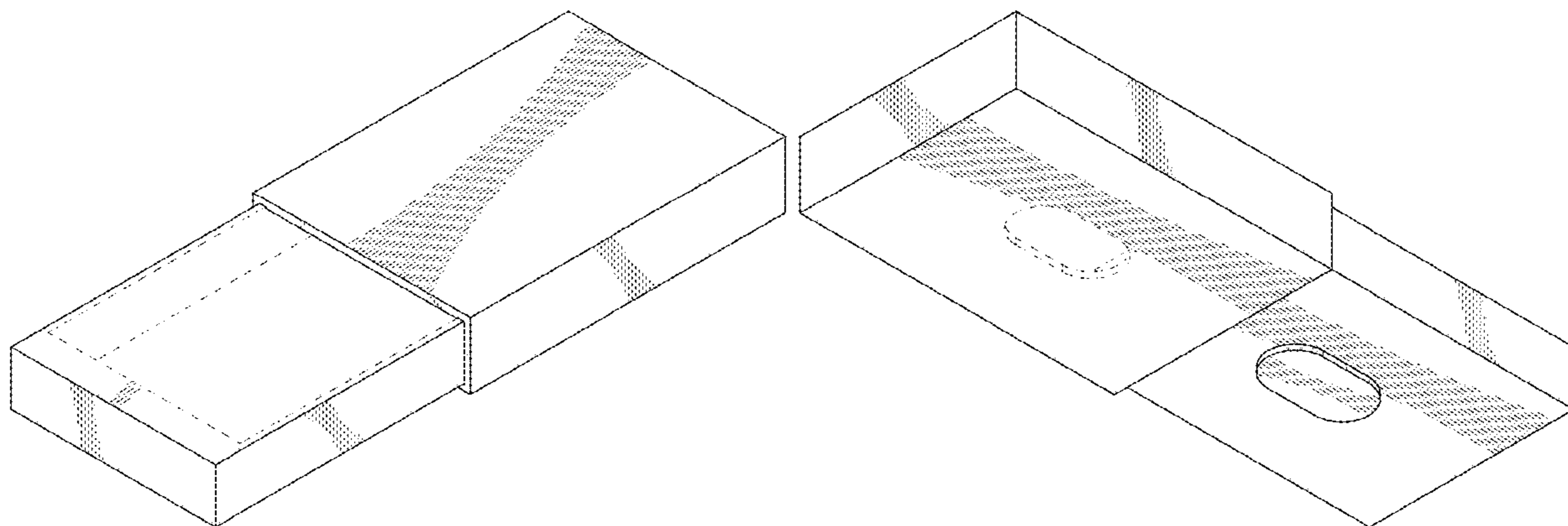


FIG. 19 is a first side view of the access-resistant holder of FIG. 17.

FIG. 20 is a second side view of the access-resistant holder of FIG. 17.

FIG. 21 is a third side view of the access-resistant holder of FIG. 17.

FIG. 22 is a fourth side view of the access-resistant holder of FIG. 17.

FIG. 23 is a top view of the access-resistant holder of FIG. 17.

FIG. 24 is a bottom view of the access-resistant holder of FIG. 17.

FIG. 25 is a top perspective view of an access-resistant holder of FIG. 17 in a closed condition.

FIG. 26 is a bottom perspective view of the access-resistant holder of FIG. 25.

FIG. 27 is a first side view of the access-resistant holder of FIG. 25.

FIG. 28 is a second side view of the access-resistant holder of FIG. 25.

FIG. 29 is a third side view of the access-resistant holder of FIG. 25.

FIG. 30 is a fourth side of the access-resistant holder of FIG. 25.

FIG. 31 is a top view of the access-resistant holder of FIG. 25.

FIG. 32 is a bottom view of the access-resistant holder of FIG. 25.

FIG. 33 is a top perspective view of an access-resistant holder in an open condition according to a third embodiment of the claimed design.

FIG. 34 is a bottom perspective view of the access-resistant holder of FIG. 33.

FIG. 35 is a first side view of the access-resistant holder of FIG. 33.

FIG. 36 is a second side view of the access-resistant holder of FIG. 33.

FIG. 37 is a third side view of the access-resistant holder of FIG. 33.

FIG. 38 is a fourth side view of the access-resistant holder of FIG. 33.

FIG. 39 is a top view of the access-resistant holder of FIG. 33.

FIG. 40 is a bottom view of the access-resistant holder of FIG. 33.

FIG. 41 is a top perspective view of an access-resistant holder of FIG. 33 in a closed condition.

FIG. 42 is a bottom perspective view of the access-resistant holder of FIG. 41.

FIG. 43 is a first side view of the access-resistant holder of FIG. 41.

FIG. 44 is a second side view of the access-resistant holder of FIG. 41.

FIG. 45 is a third side view of the access-resistant holder of FIG. 41.

FIG. 46 is a fourth side view of the access-resistant holder of FIG. 41.

FIG. 47 is a top view of the access-resistant holder of FIG. 41.

FIG. 48 is a bottom view of the access-resistant holder of FIG. 41.

FIG. 49 is a top perspective view of an access-resistant holder in an open condition according to a fourth embodiment of the claimed design.

FIG. 50 is a bottom perspective view of the access-resistant holder of FIG. 49.

FIG. 51 is a first side view of the access-resistant holder of FIG. 49.

FIG. 52 is a second side view of the access-resistant holder of FIG. 49.

FIG. 53 is a third side view of the access-resistant holder of FIG. 49.

FIG. 54 is a fourth side view of the access-resistant holder of FIG. 49.

FIG. 55 is a top view of the access-resistant holder of FIG. 49.

FIG. 56 is a bottom view of the access-resistant holder of FIG. 49.

FIG. 57 is a top perspective view of an access-resistant holder of FIG. 49 in a closed condition.

FIG. 58 is a bottom perspective view of an access-resistant holder of FIG. 49 in a closed condition.

FIG. 59 is a first side view of the access-resistant holder of FIG. 57.

FIG. 60 is a second side view of the access-resistant holder of FIG. 57.

FIG. 61 is a third side view of the access-resistant holder of FIG. 57.

FIG. 62 is a fourth side view of the access-resistant holder of FIG. 57.

FIG. 63 is a top view of the access-resistant holder of FIG. 57.

FIG. 64 is a bottom view of the access-resistant holder of FIG. 57.

FIG. 65 is a top perspective view of an access-resistant holder in an open condition according to a fifth embodiment of the claimed design.

FIG. 66 is a bottom perspective view of the access-resistant holder of FIG. 65.

FIG. 67 is a first side view of the access-resistant holder of FIG. 65.

FIG. 68 is a second side view of the access-resistant holder of FIG. 65.

FIG. 69 is a third side view of the access-resistant holder of FIG. 65.

FIG. 70 is a fourth side view of the access-resistant holder of FIG. 65.

FIG. 71 is a top view of the access-resistant holder of FIG. 65.

FIG. 72 is a bottom view of the access-resistant holder of FIG. 65.

FIG. 73 is a top perspective view of an access-resistant holder of FIG. 65 in a closed condition.

FIG. 74 is a bottom perspective view of the access-resistant holder of FIG. 73.

FIG. 75 is a first side view of the access-resistant holder of FIG. 73.

FIG. 76 is a second side view of the access-resistant holder of FIG. 73.

FIG. 77 is a third side view of the access-resistant holder of FIG. 73.

FIG. 78 is a fourth side view of the access-resistant holder of FIG. 73.

FIG. 79 is a top view of the access-resistant holder of FIG. 73.

FIG. 80 is a bottom view of the access-resistant holder of FIG. 73.

FIG. 81 is a top perspective view of an access-resistant holder in an open condition according to a sixth embodiment of the claimed design.

FIG. 82 is a bottom perspective view of the access-resistant holder of FIG. 81.

FIG. 83 is a first side view of the access-resistant holder of FIG. 81.

FIG. 84 is a second side view of the access-resistant holder of FIG. 81.

FIG. 85 is a third side view of the access-resistant holder of FIG. 81.

FIG. 86 is a fourth side view of the access-resistant holder of FIG. 81.

FIG. 87 is a top view of the access-resistant holder of FIG. 81.

FIG. 88 is a bottom view of the access-resistant holder of FIG. 81.

FIG. 89 is a top perspective view of an access-resistant holder of FIG. 81 in a closed condition.

FIG. 90 is a bottom perspective view of the access-resistant holder of FIG. 89.

FIG. 91 is a first side view of the access-resistant holder of FIG. 89.

FIG. 92 is a second side view of the access-resistant holder of FIG. 89.

FIG. 93 is a third side view of the access-resistant holder of FIG. 89.

FIG. 94 is a fourth side view of the access-resistant holder of FIG. 89.

FIG. 95 is a top view of the access-resistant holder of FIG. 89; and,

FIG. 96 is a bottom view of the access-resistant holder of FIG. 89.

The broken lines in the drawings depict portions of the access-resistant holder that form no part of the claimed design.

1 Claim, 36 Drawing Sheets

(58) **Field of Classification Search**

USPC D20/10, 22, 27, 40, 42; D3/272–274,
D3/290, 304, 305, 315
CPC ... B65D 5/00; B65D 5/02; B65D 5/18; B65D
5/20

See application file for complete search history.

(56) **References Cited**

U.S. PATENT DOCUMENTS

4,170,914 A * 10/1979 Carrier B65D 83/0864
206/38
4,561,544 A * 12/1985 Reeve B65D 11/12
206/1.5
4,844,284 A * 7/1989 Drozd B65D 50/045
220/281

5,080,222 A * 1/1992 McNary B65D 50/045
206/1.5
5,082,137 A * 1/1992 Weinstein B65D 43/20
206/1.5
D406,921 S 3/1999 Roeder
D430,436 S * 9/2000 Shimbo D6/515
D439,743 S * 4/2001 DeVance D3/297
6,551,672 B2 4/2003 Hessok et al.
D507,679 S 7/2005 Ashiwa et al.
D522,866 S 6/2006 Bakic
D552,984 S * 10/2007 Baron D9/418
D565,952 S 4/2008 Mettler et al.
D624,239 S 9/2010 Breidenbach et al.
7,798,329 B2 * 9/2010 Gelardi B65D 83/0463
206/1.5
D626,005 S 10/2010 Duquet
D628,089 S 11/2010 Ashiwa et al.
D632,169 S * 2/2011 Ruth D9/418
D668,141 S * 10/2012 Collins D9/423
D668,534 S * 10/2012 Collins D9/423
D668,948 S * 10/2012 LaTrobe D9/418
D706,129 S * 6/2014 Boraczek D9/418
D715,156 S 10/2014 Park
8,955,671 B1 * 2/2015 Barnett B65D 25/22
206/1.5
8,956,066 B2 2/2015 Young et al.
D732,893 S 6/2015 Bronwasser et al.
D735,946 S 8/2015 Ko
D737,149 S 8/2015 Son
D745,388 S * 12/2015 Taylor D9/418
D758,191 S * 6/2016 Tu D9/414
D795,083 S * 8/2017 Safullin D9/756
D799,328 S 10/2017 Puigbo
9,938,042 B1 * 4/2018 Aryanpanah B65D 50/04
D827,450 S 9/2018 Loukov
D828,113 S 9/2018 Fleischhut
D828,164 S 9/2018 Kim
D843,128 S * 3/2019 Pena D6/515
D868,575 S * 12/2019 Davidson, Jr. D9/418
D878,197 S * 3/2020 Griffin D9/432
2004/0099565 A1 * 5/2004 Dehlin B65D 5/38
206/536
2009/0152134 A1 * 6/2009 Katsis A24F 27/00
206/96
2009/0200307 A1 * 8/2009 Giraud B65D 50/04
220/326
2009/0266837 A1 * 10/2009 Gelardi B65D 50/046
221/154
2010/0012534 A1 1/2010 Hoffman
2010/0038278 A1 * 2/2010 Gattefosse B65D 50/046
206/531
2017/0137167 A1 * 5/2017 Warner A61J 1/03
2018/0022534 A1 * 1/2018 McCormick B65D 83/0805
206/278
2019/0201285 A1 * 7/2019 Warden A61J 1/03

OTHER PUBLICATIONS

10 formati 3 colori di Lusso nero kraft paper box scorrevole, di cartone cassetto box, CD manica Nero casella di scorrimento gift box Personalizzata . [online] Retrieved Mar. 11, 2020 from URL: <https://it.aliexpress.com/item/32796887026.html>.*

* cited by examiner

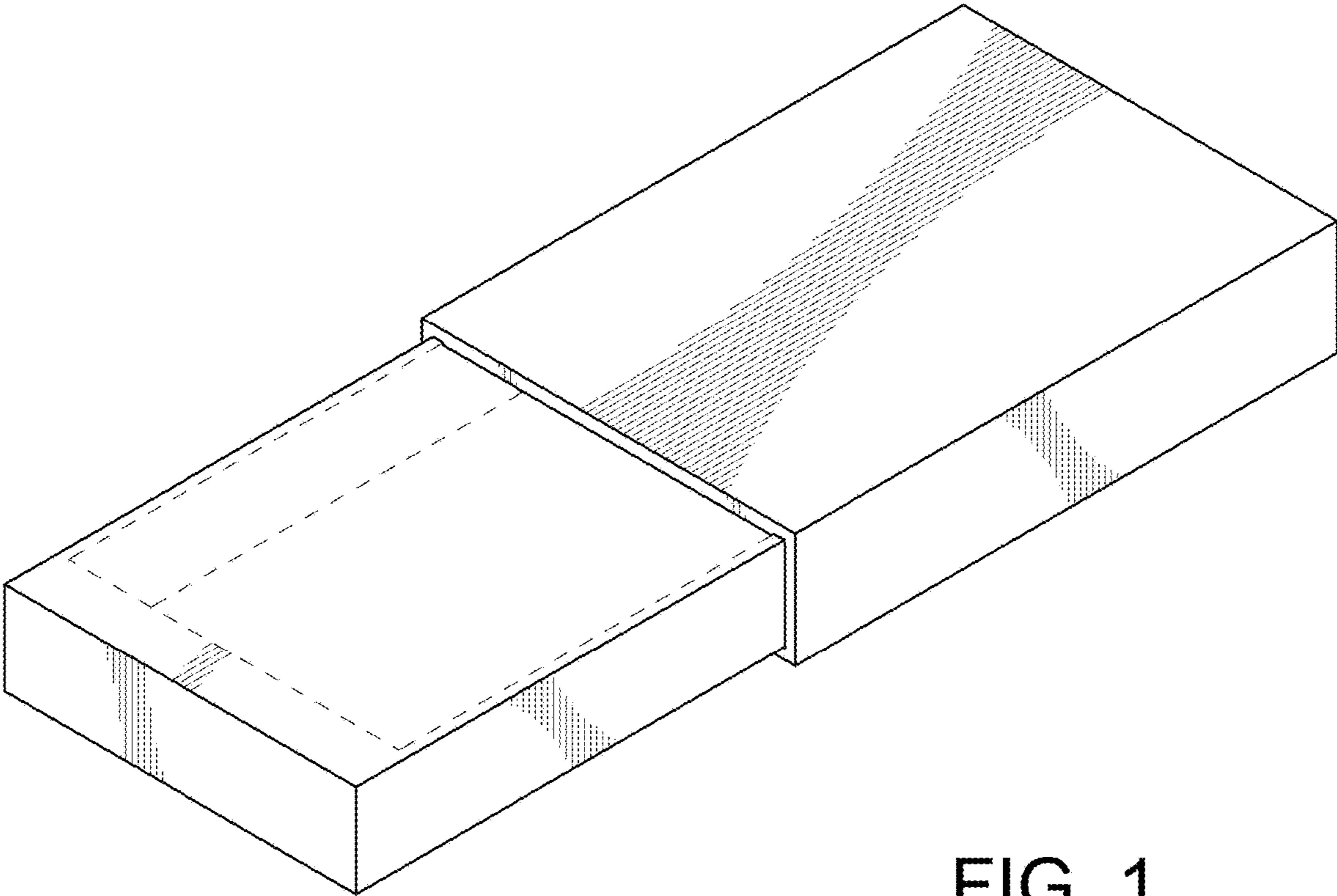


FIG. 1

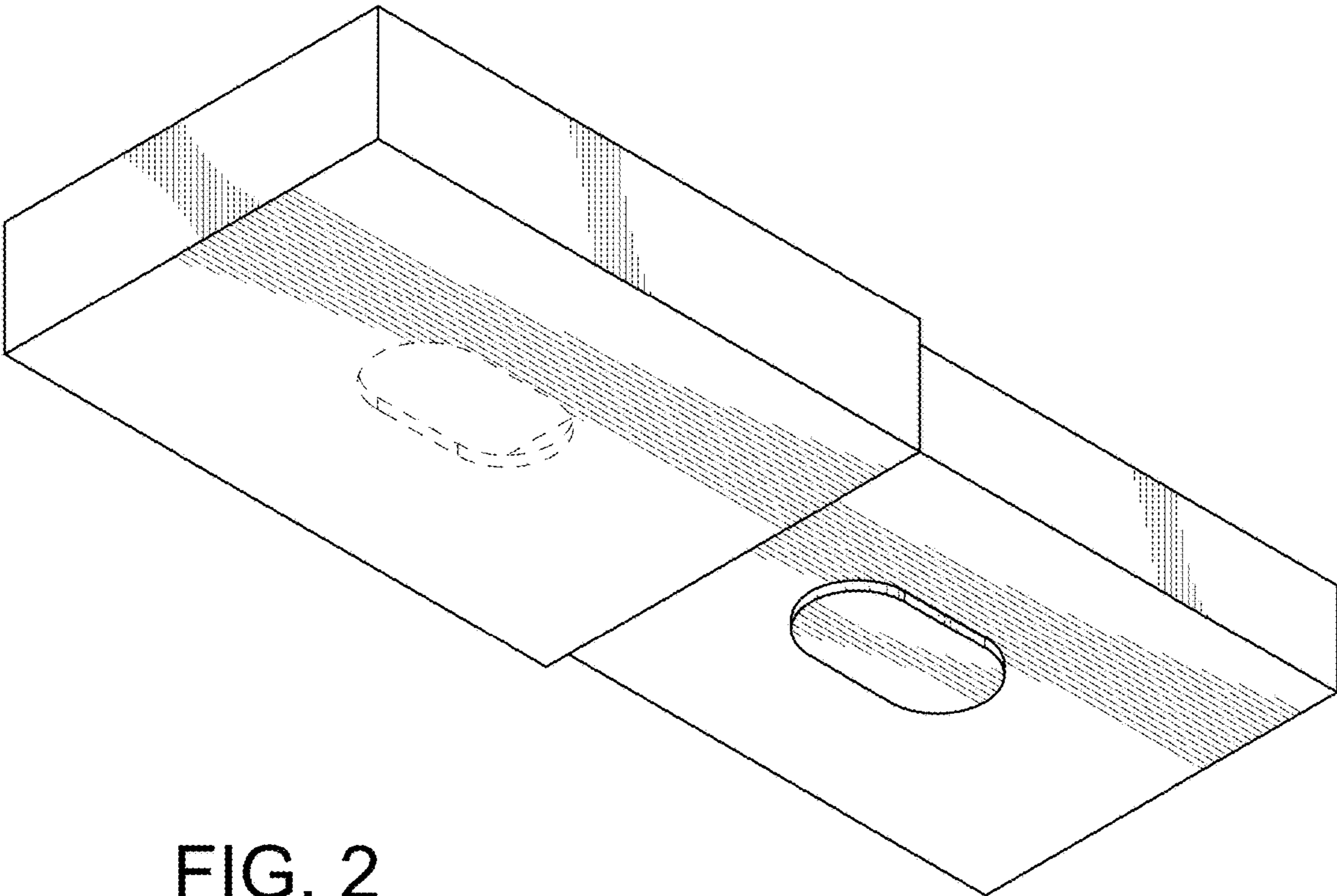


FIG. 2

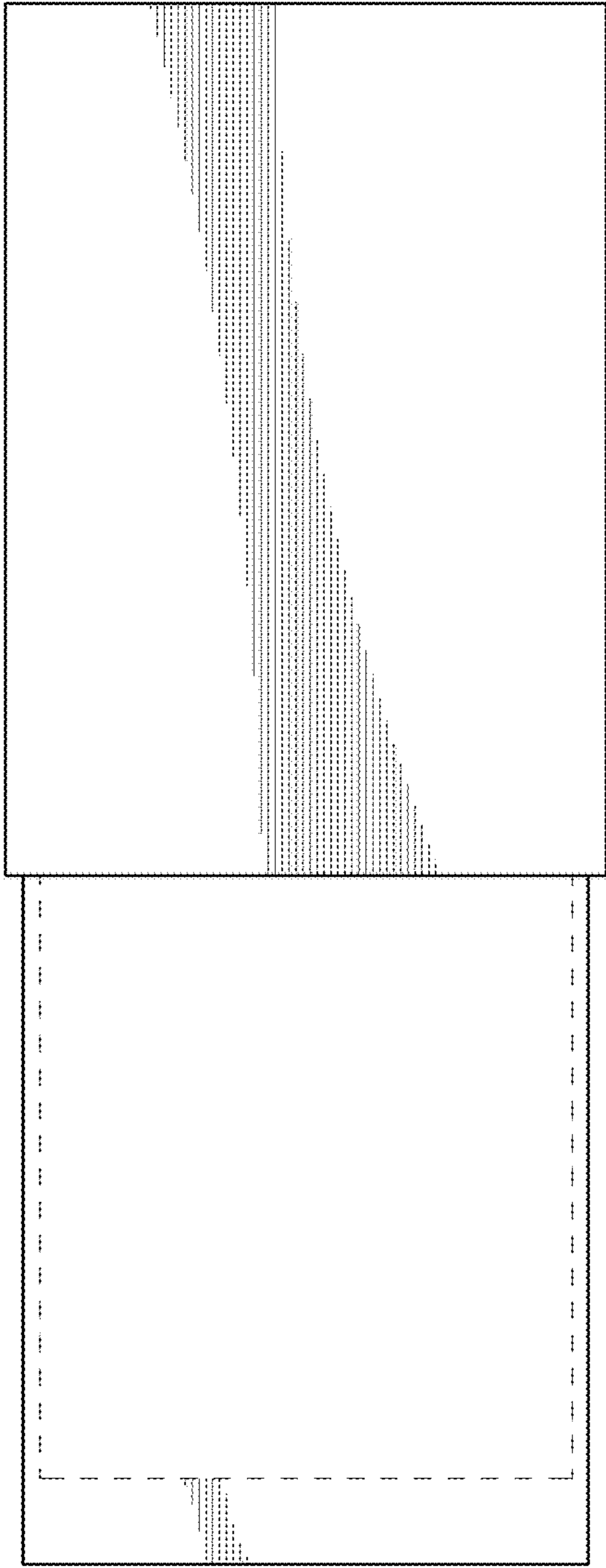


FIG. 7

FIG. 3

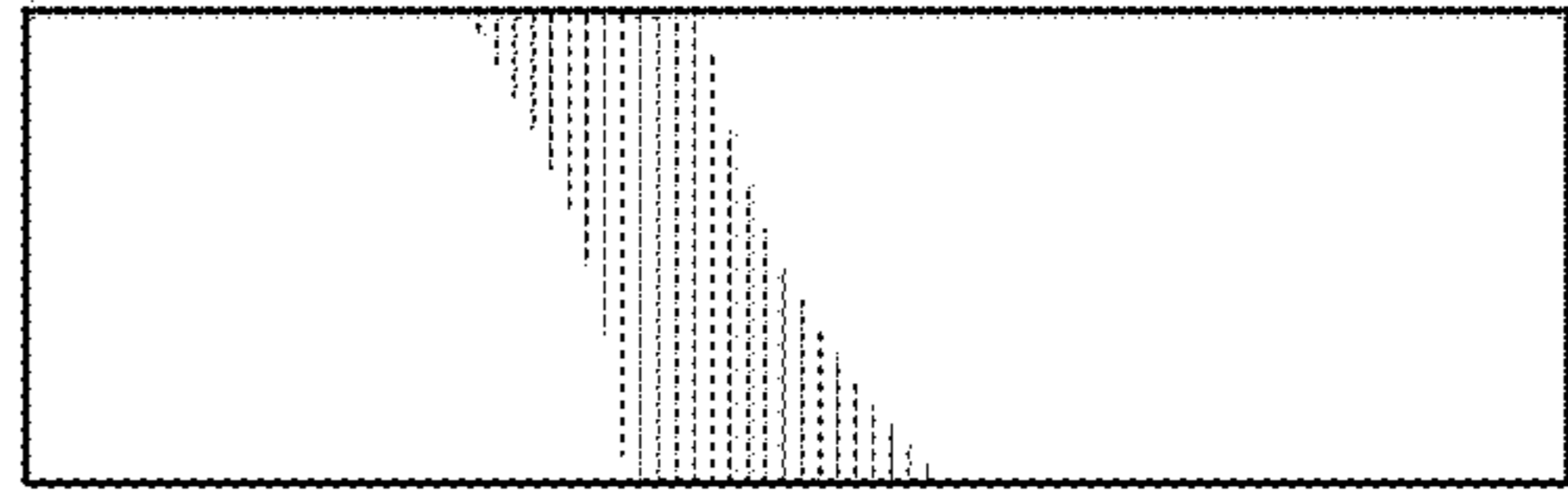


FIG. 5

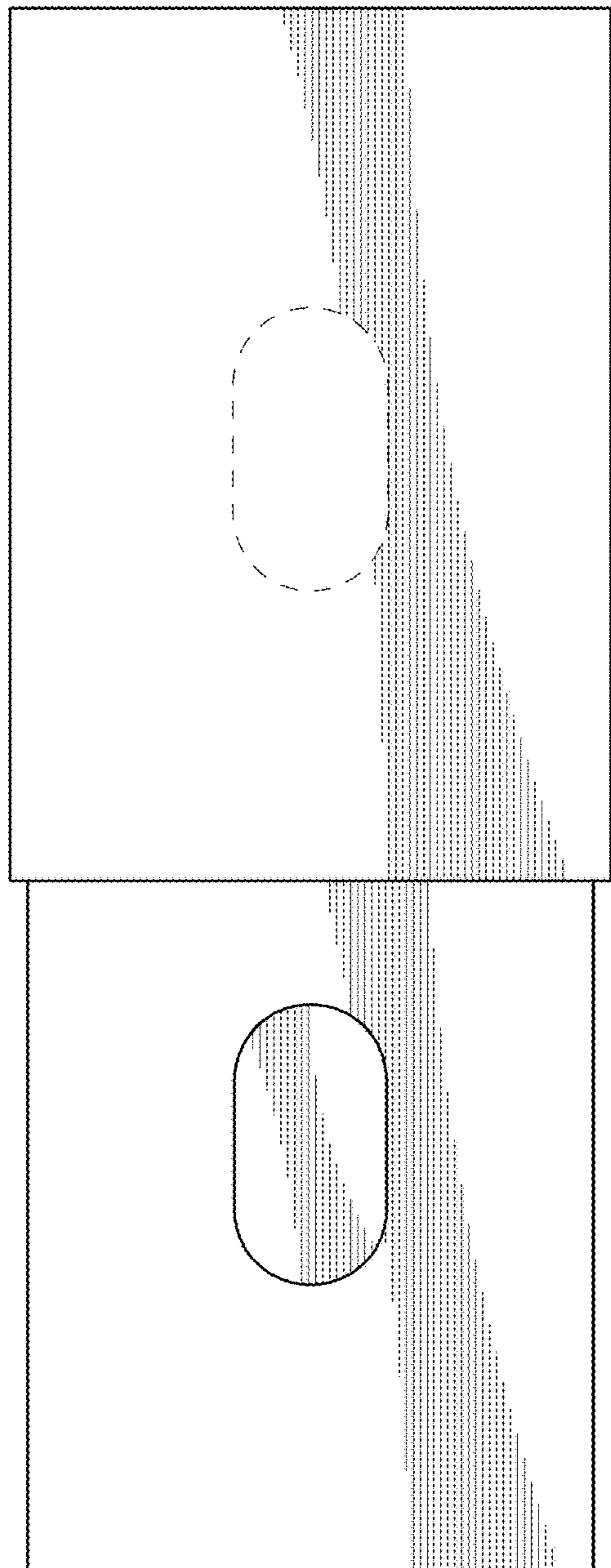


FIG. 8

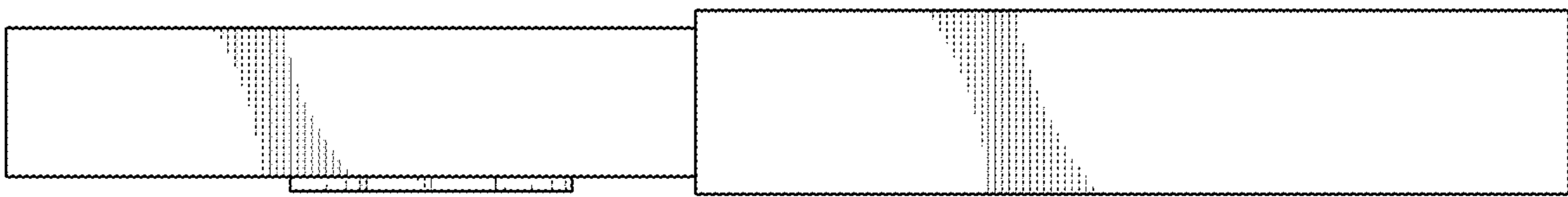


FIG. 4

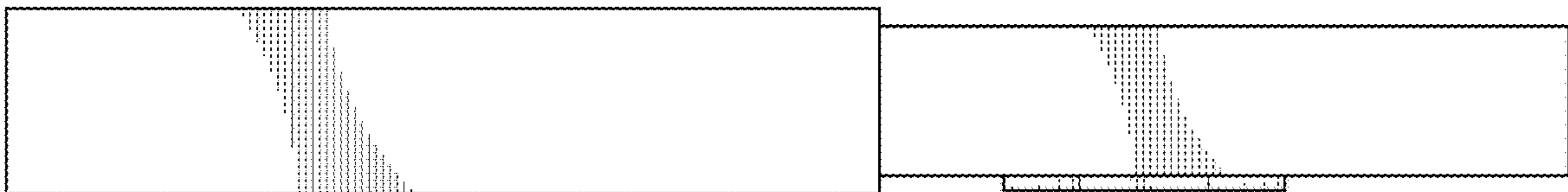


FIG. 6

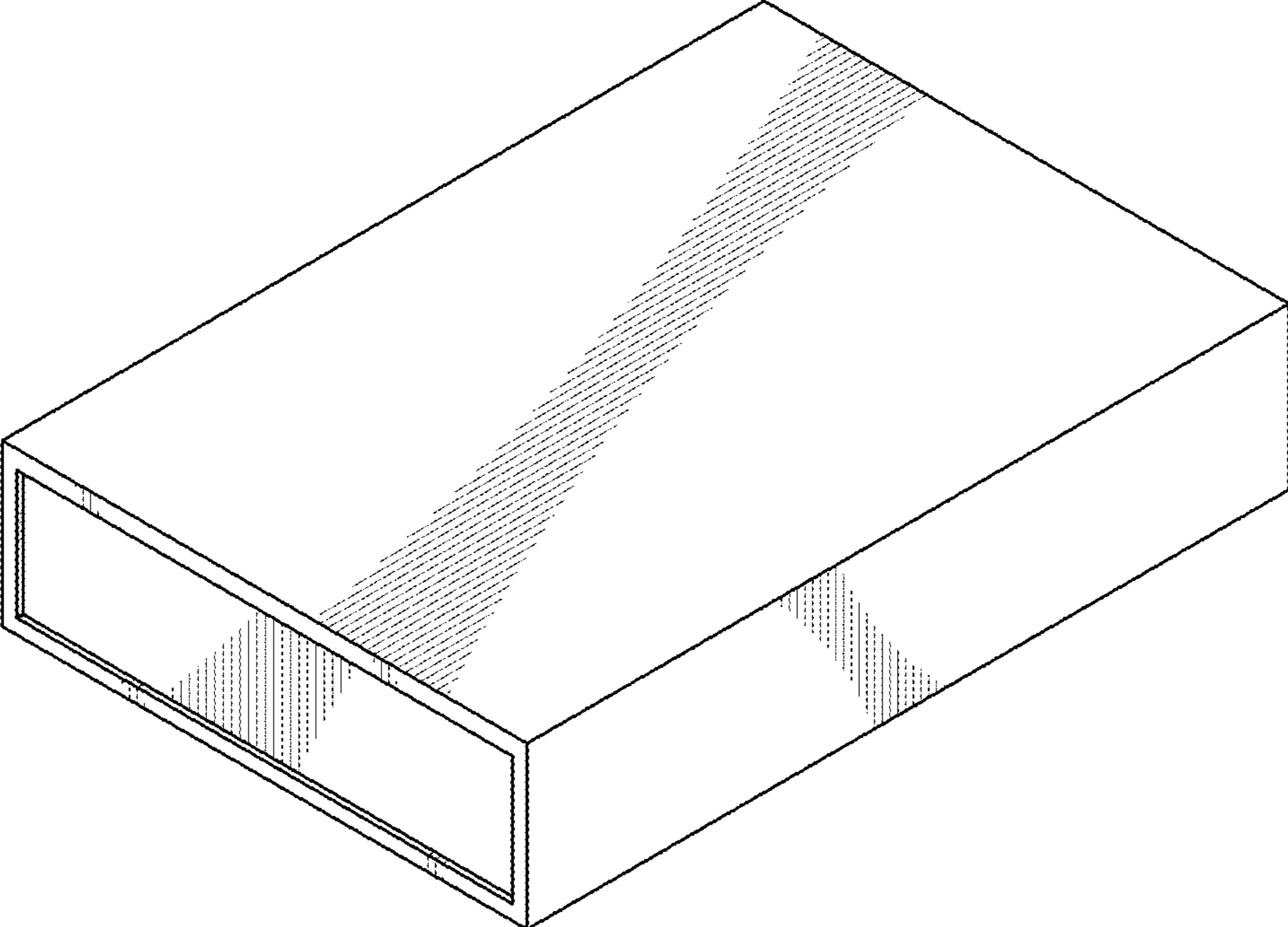


FIG. 9

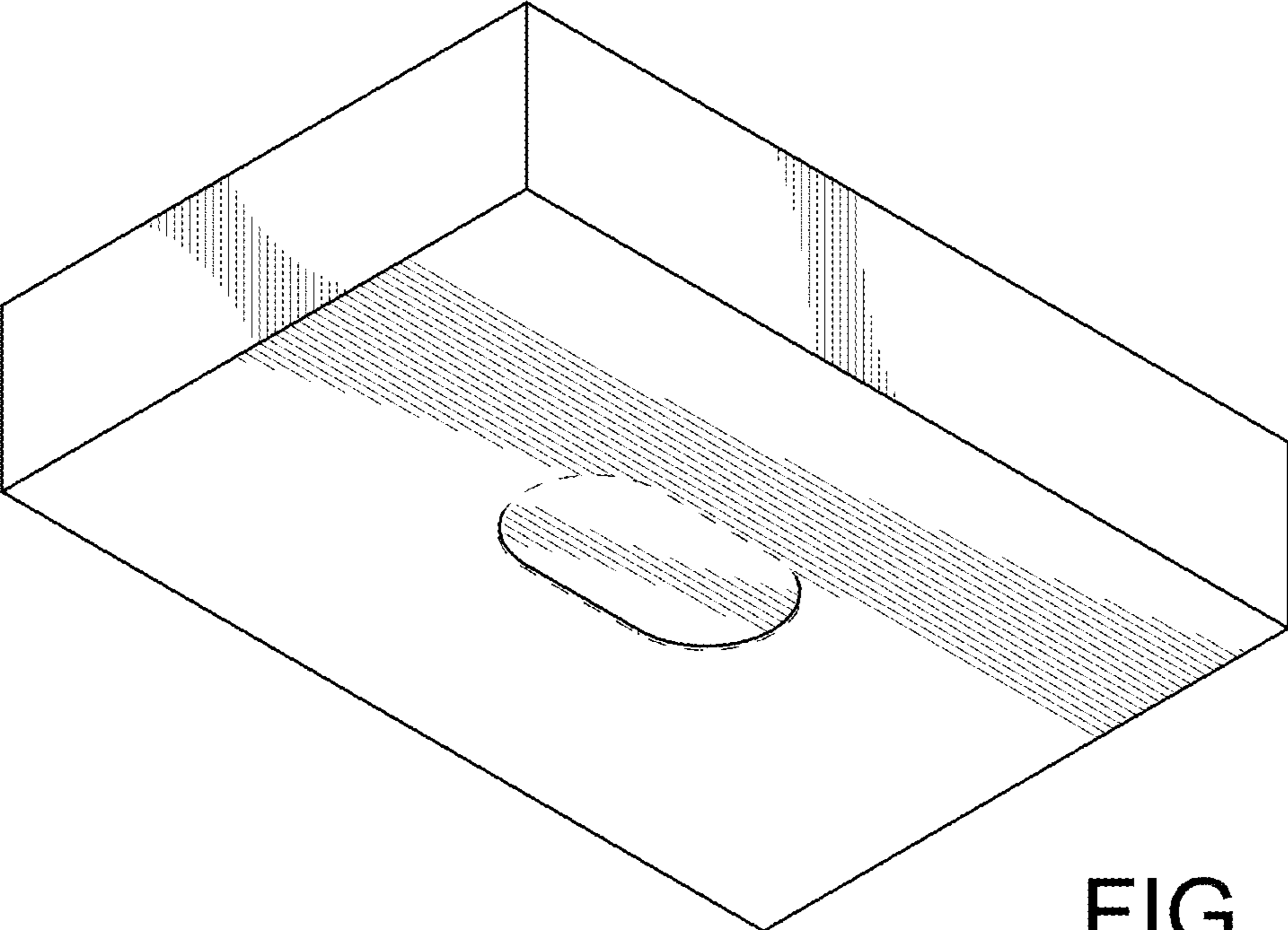


FIG. 10

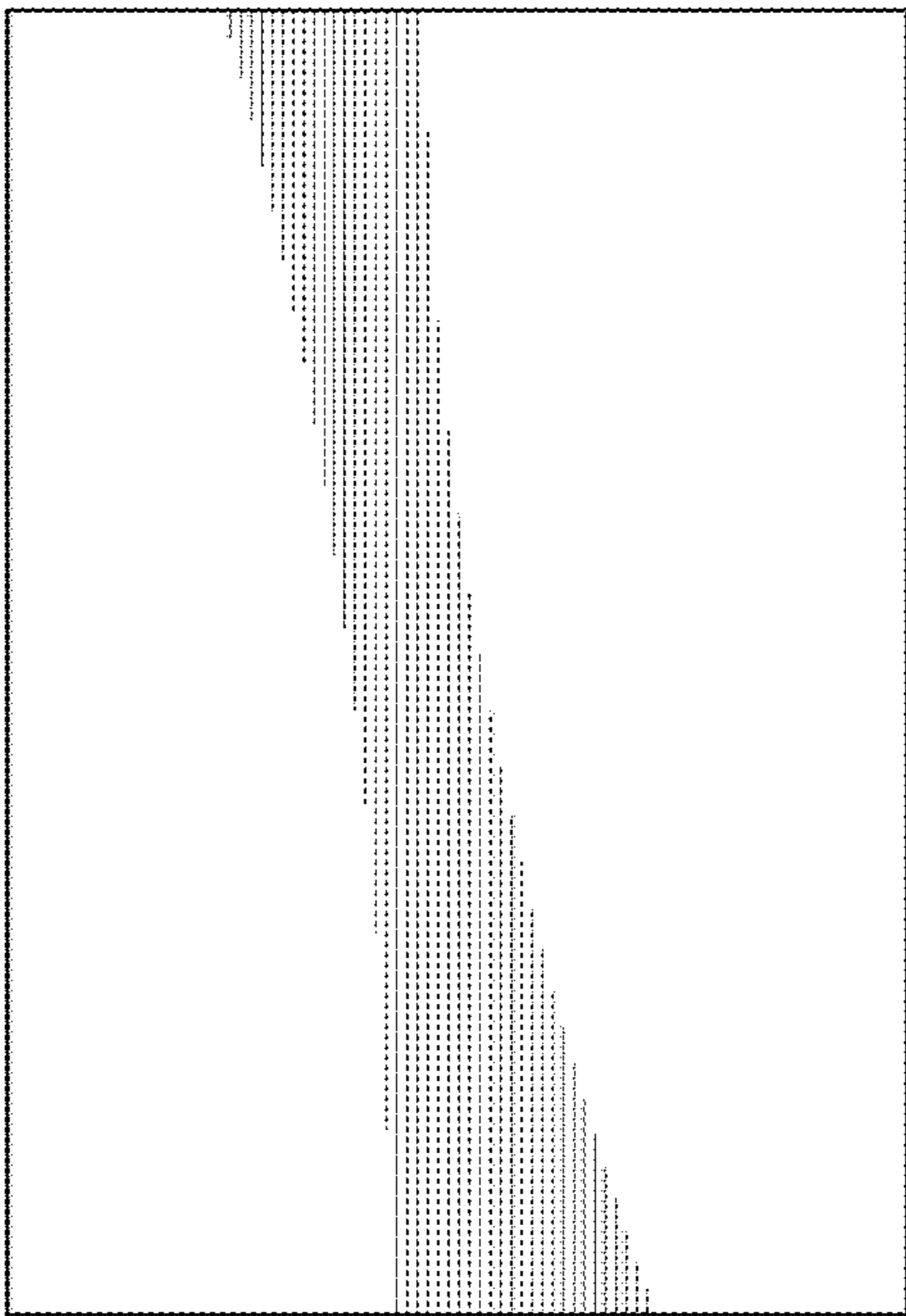


FIG. 15

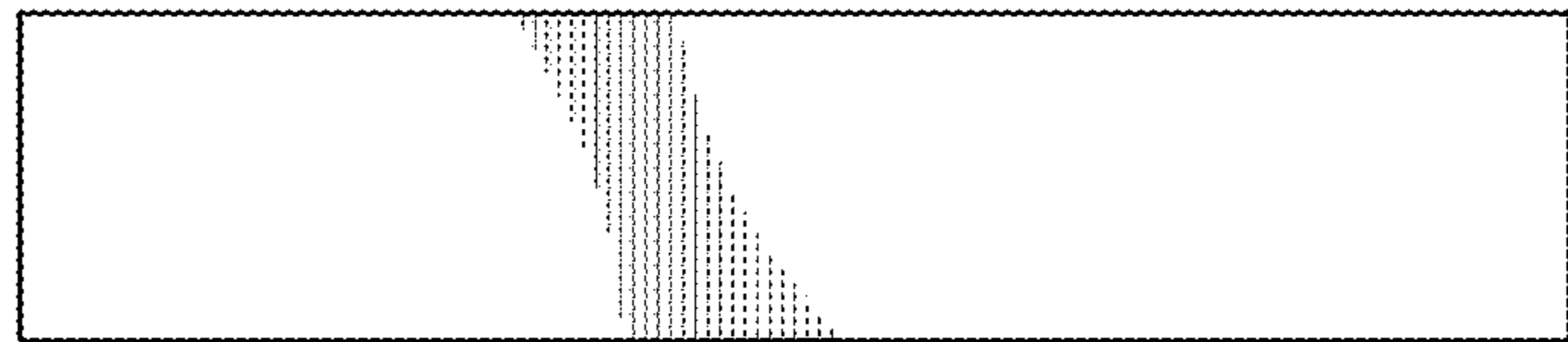


FIG. 14

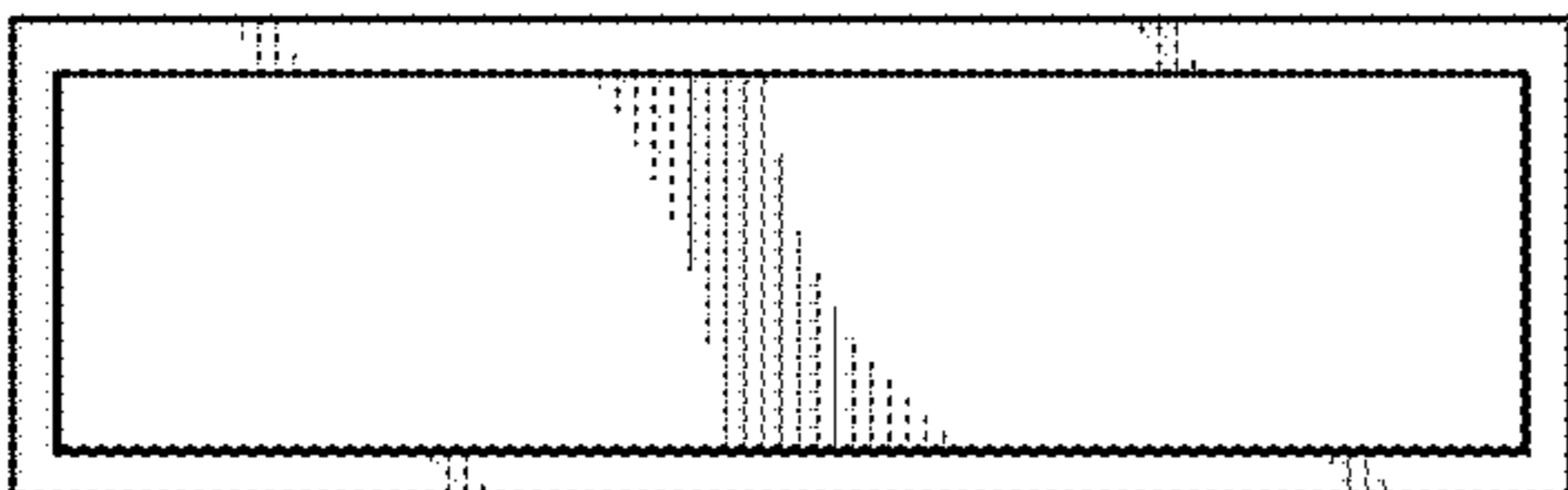


FIG. 11

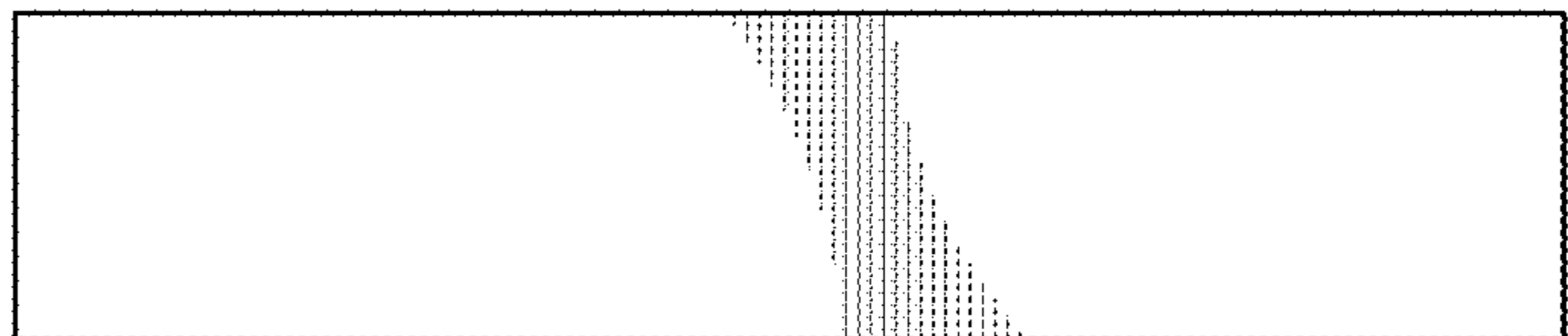


FIG. 12

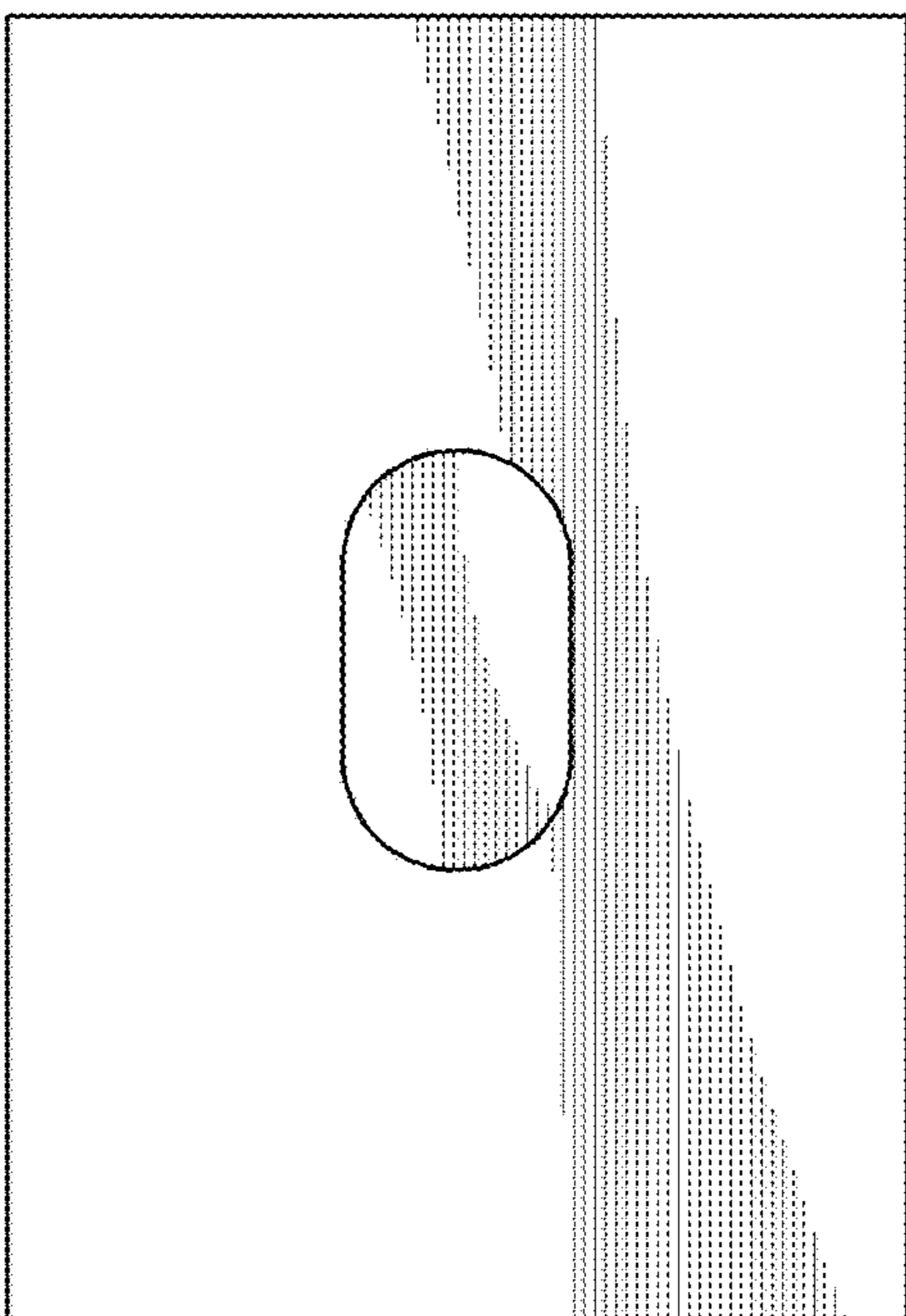


FIG. 16

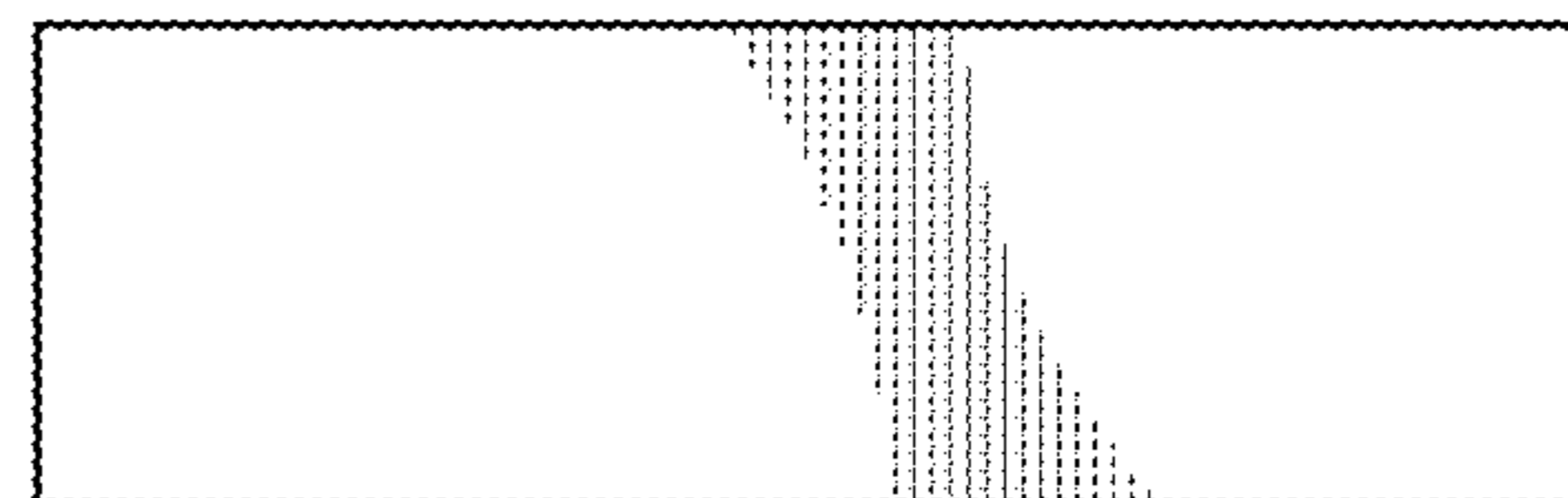


FIG. 13

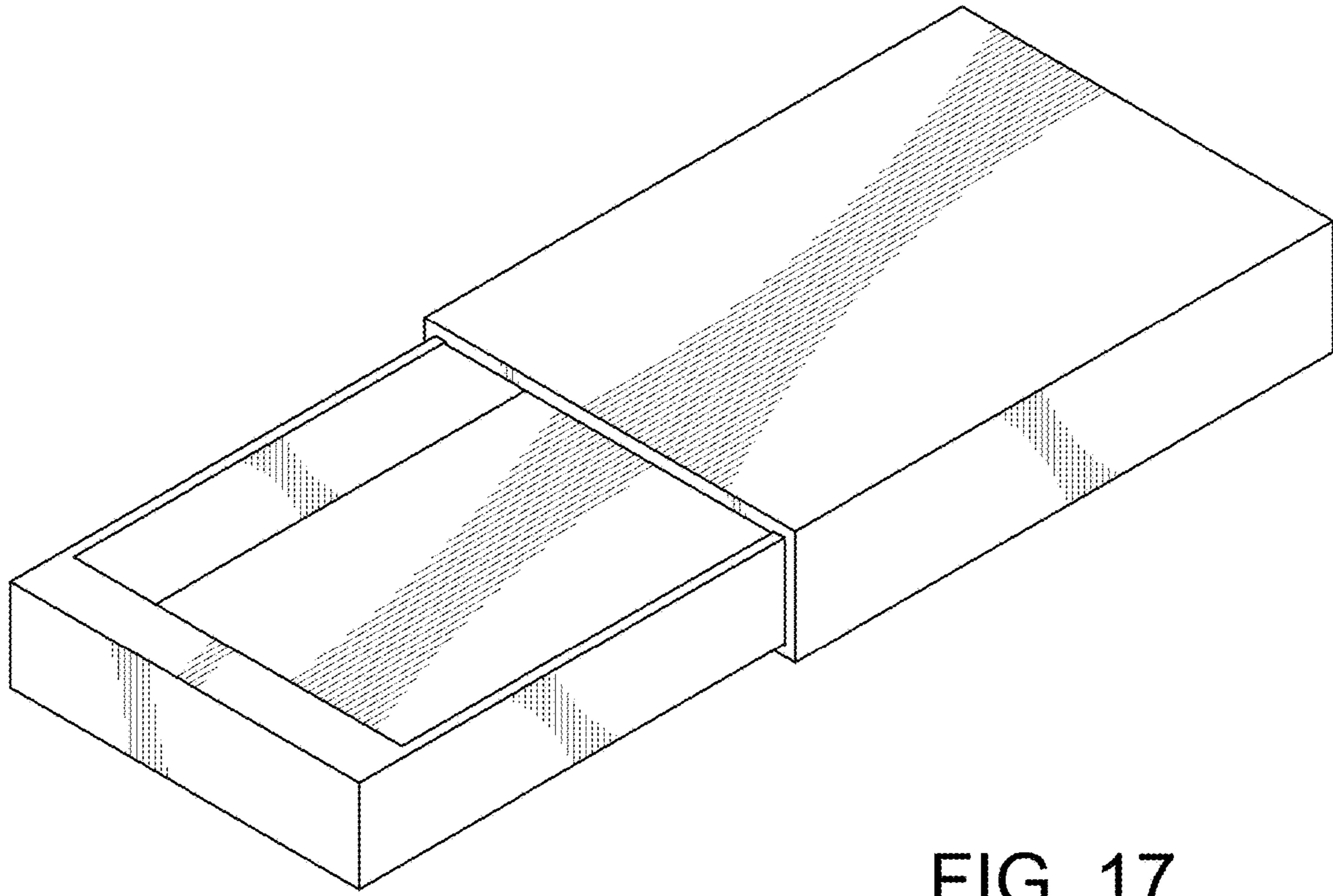


FIG. 17

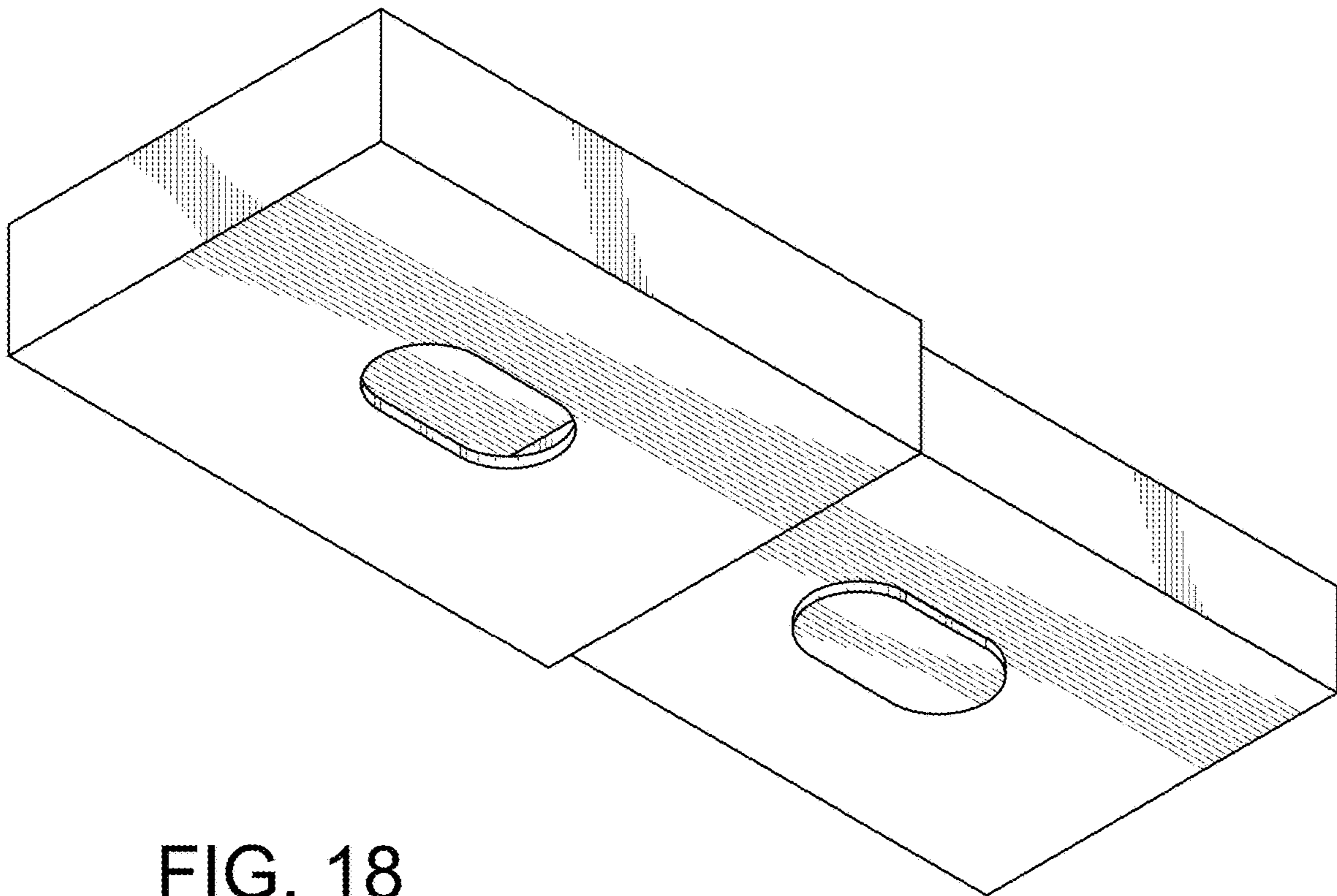


FIG. 18

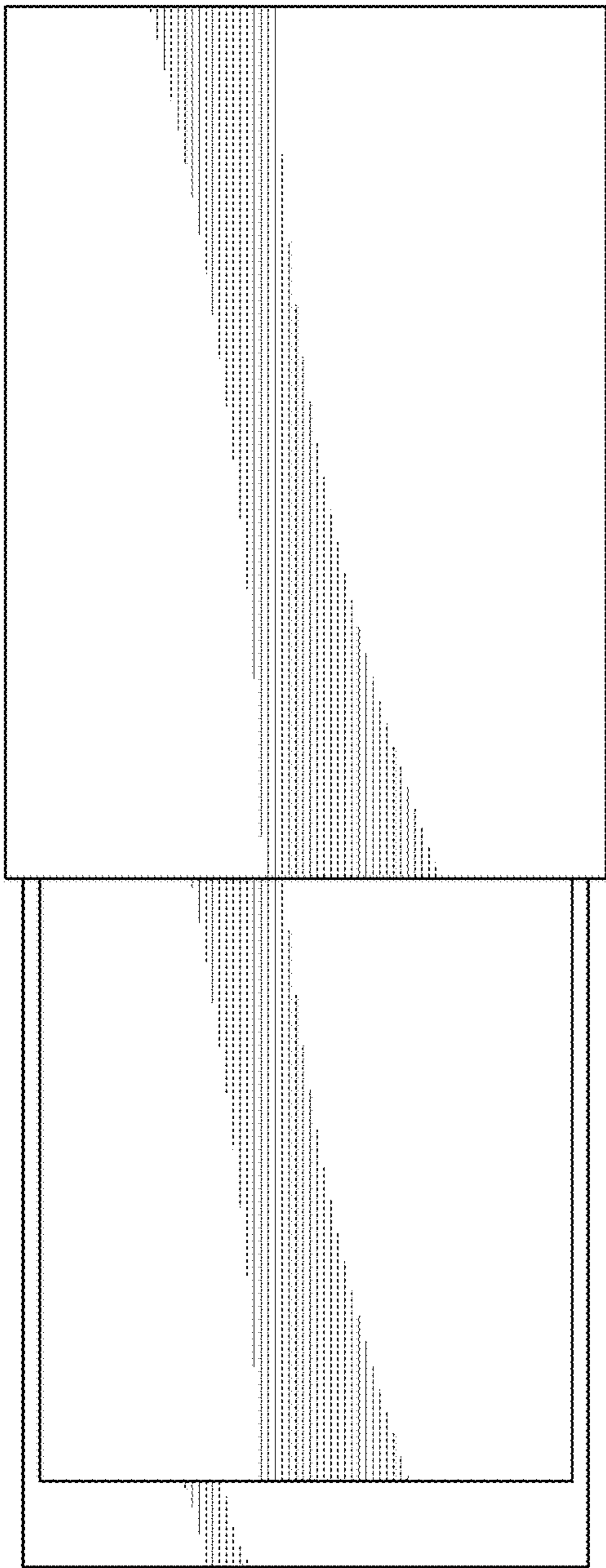


FIG. 23

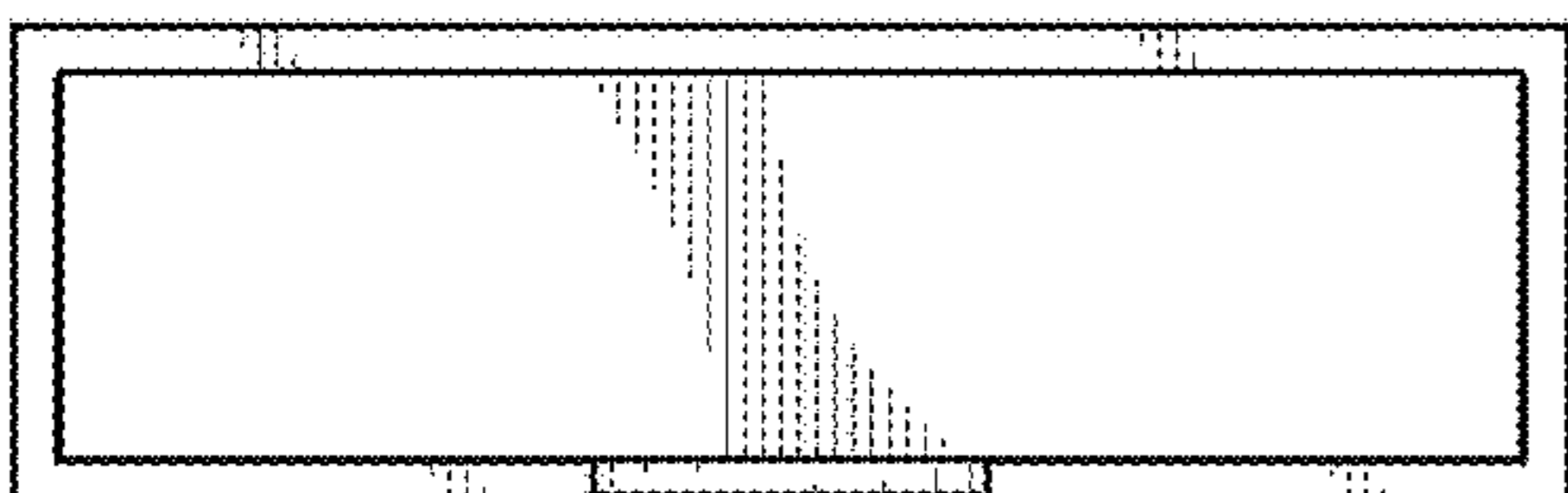


FIG. 19

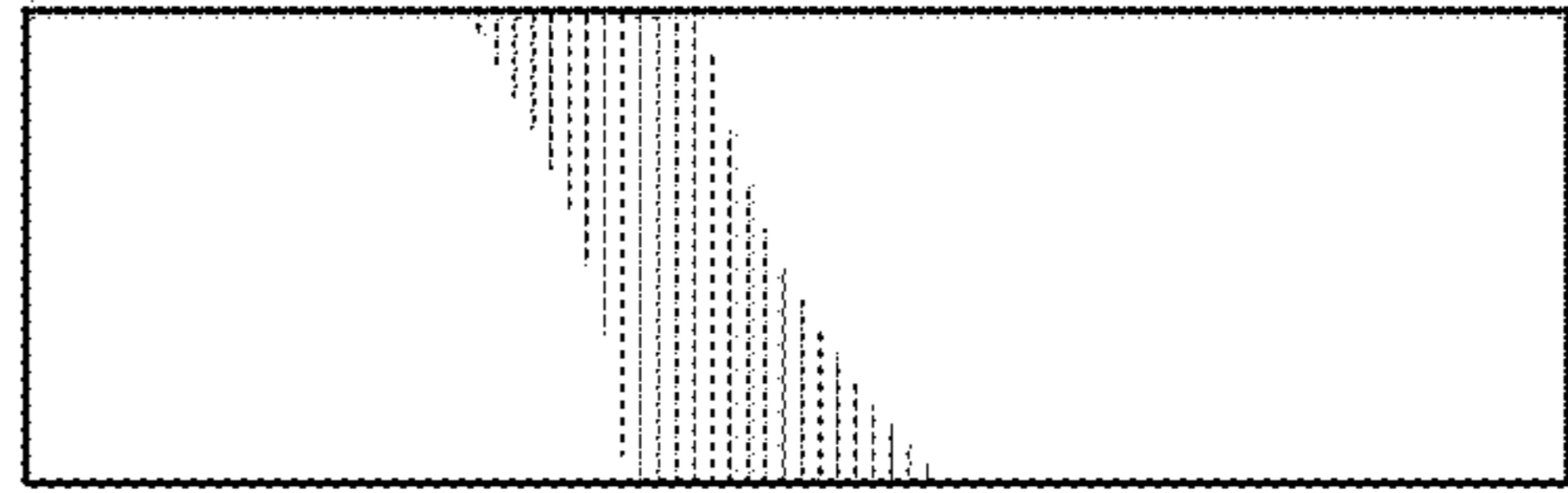


FIG. 21

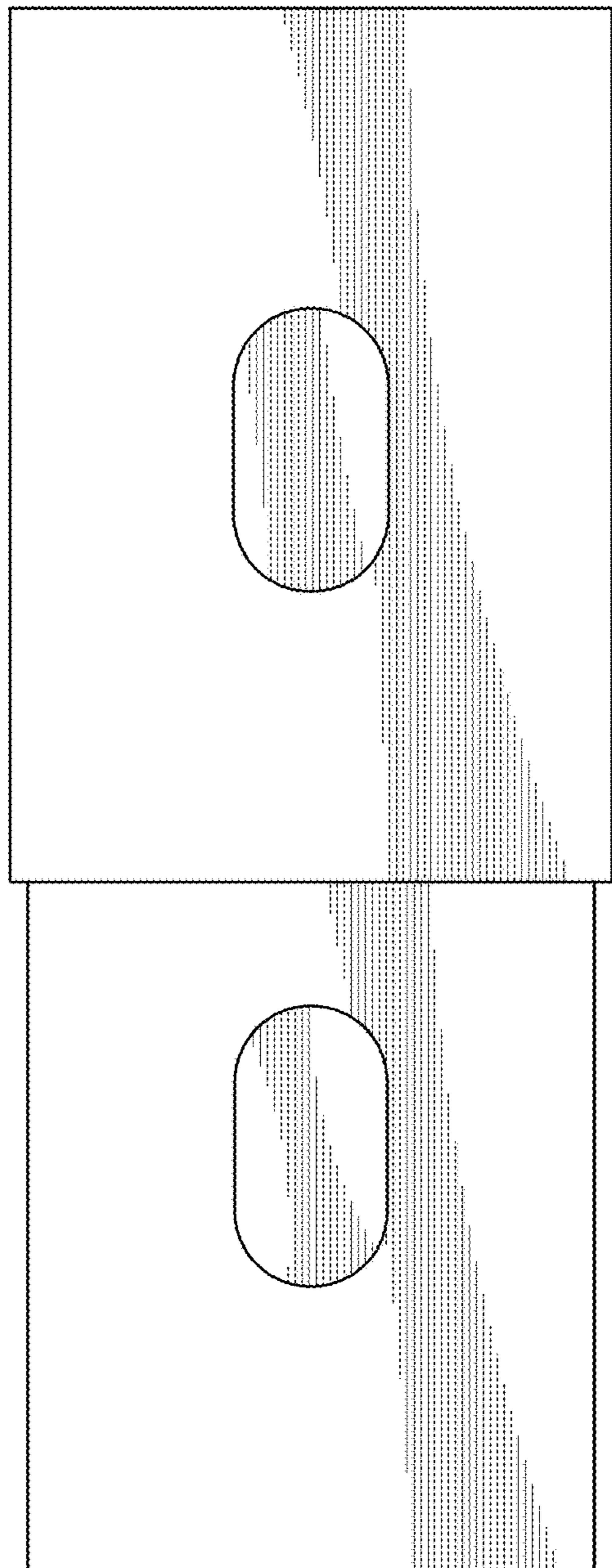


FIG. 24

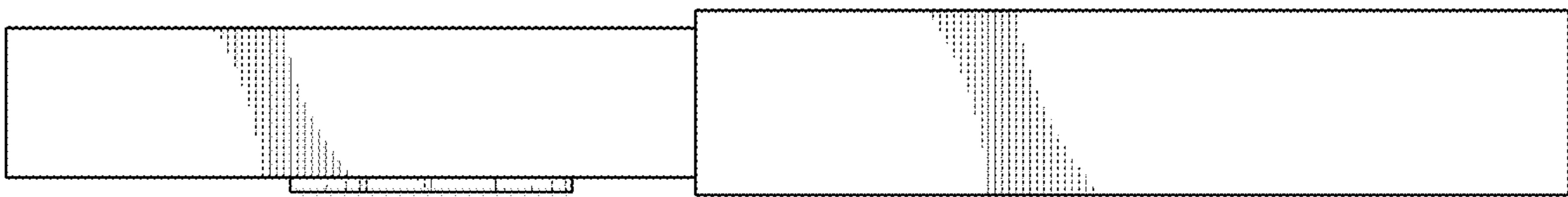


FIG. 20

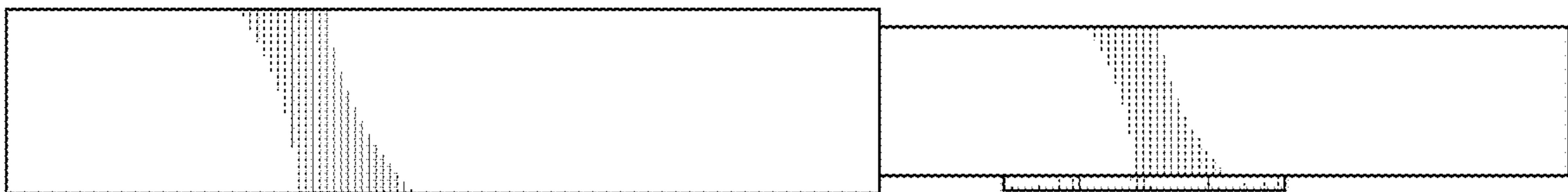


FIG. 22

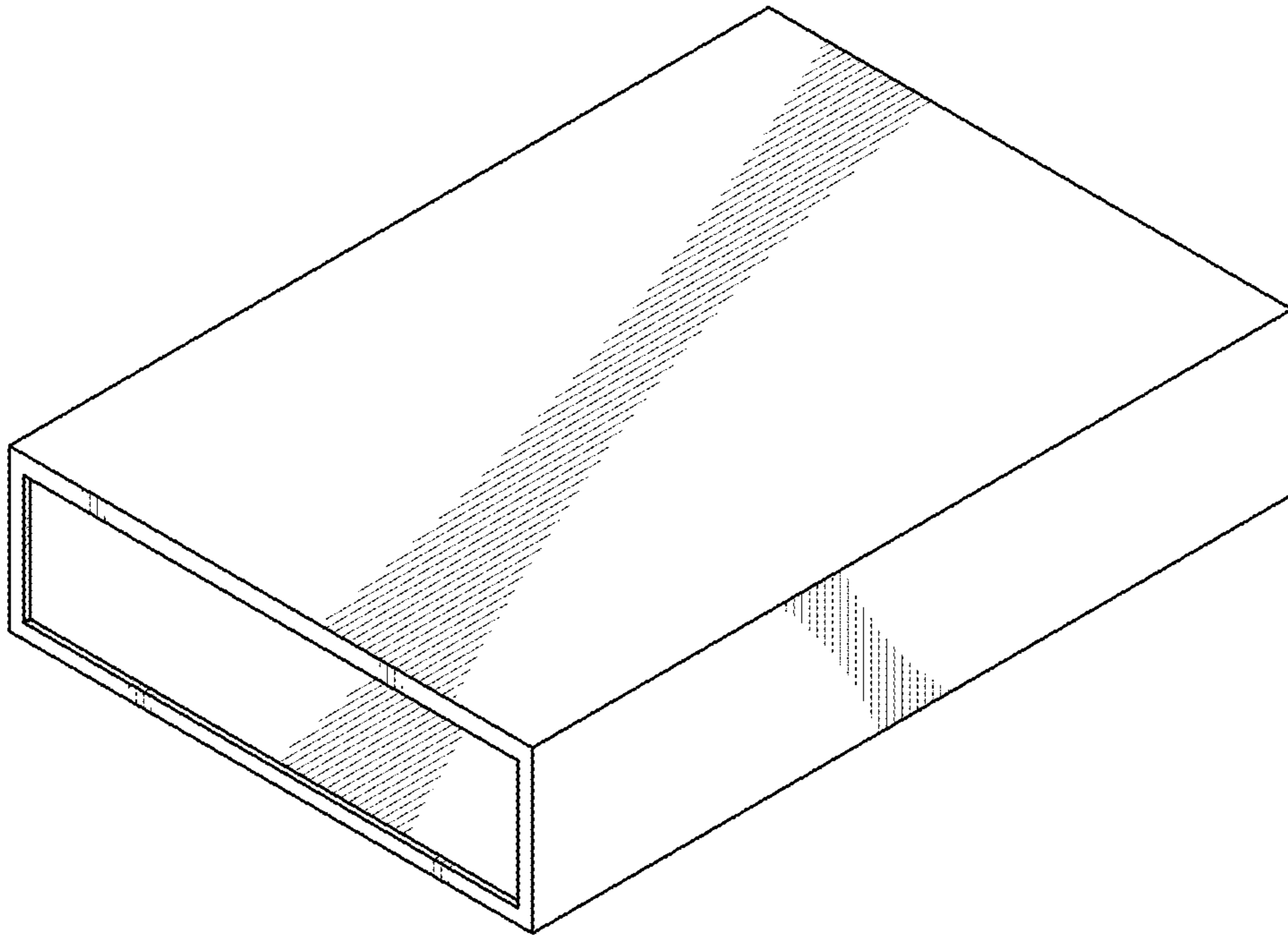


FIG. 25

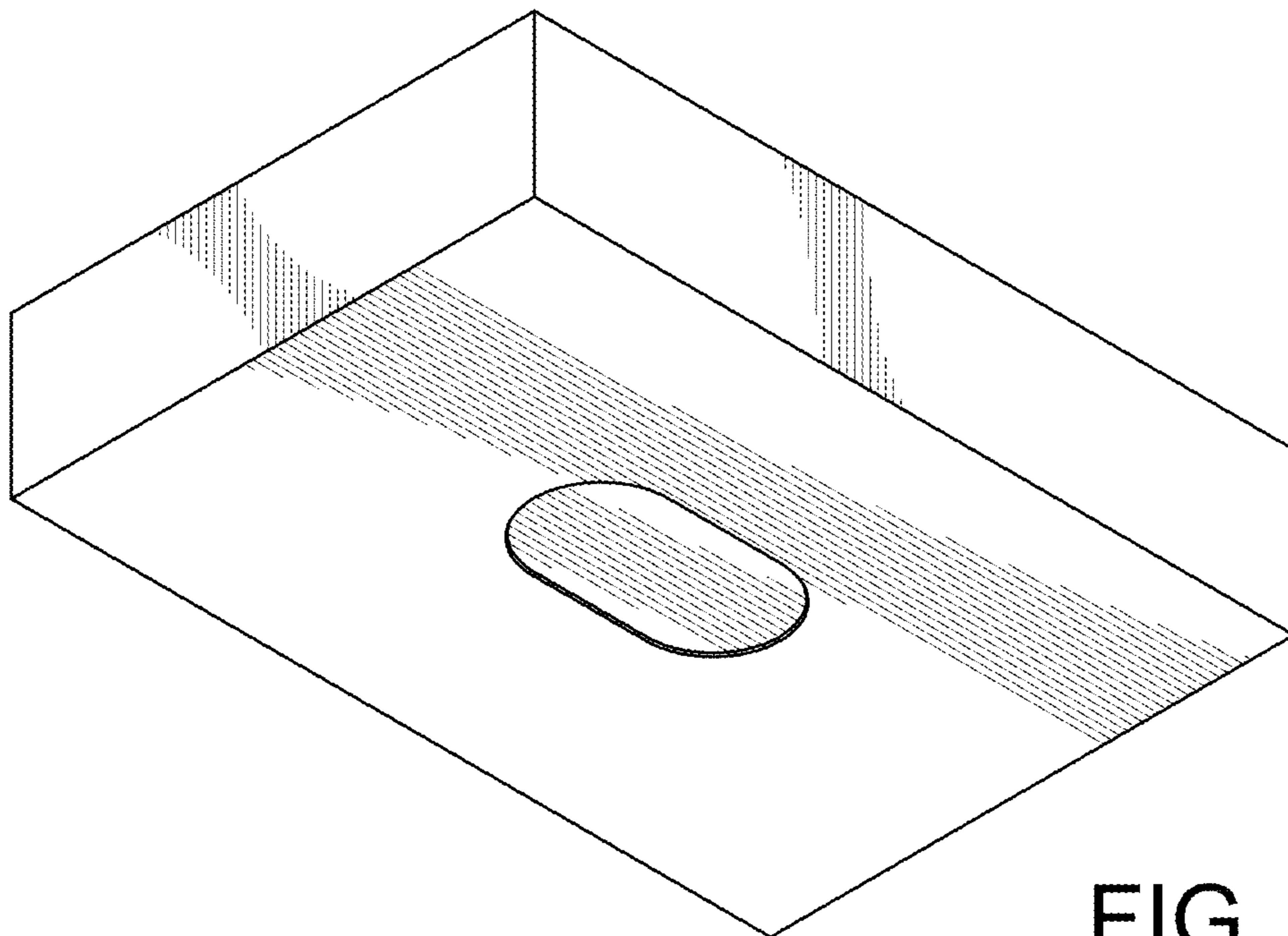


FIG. 26

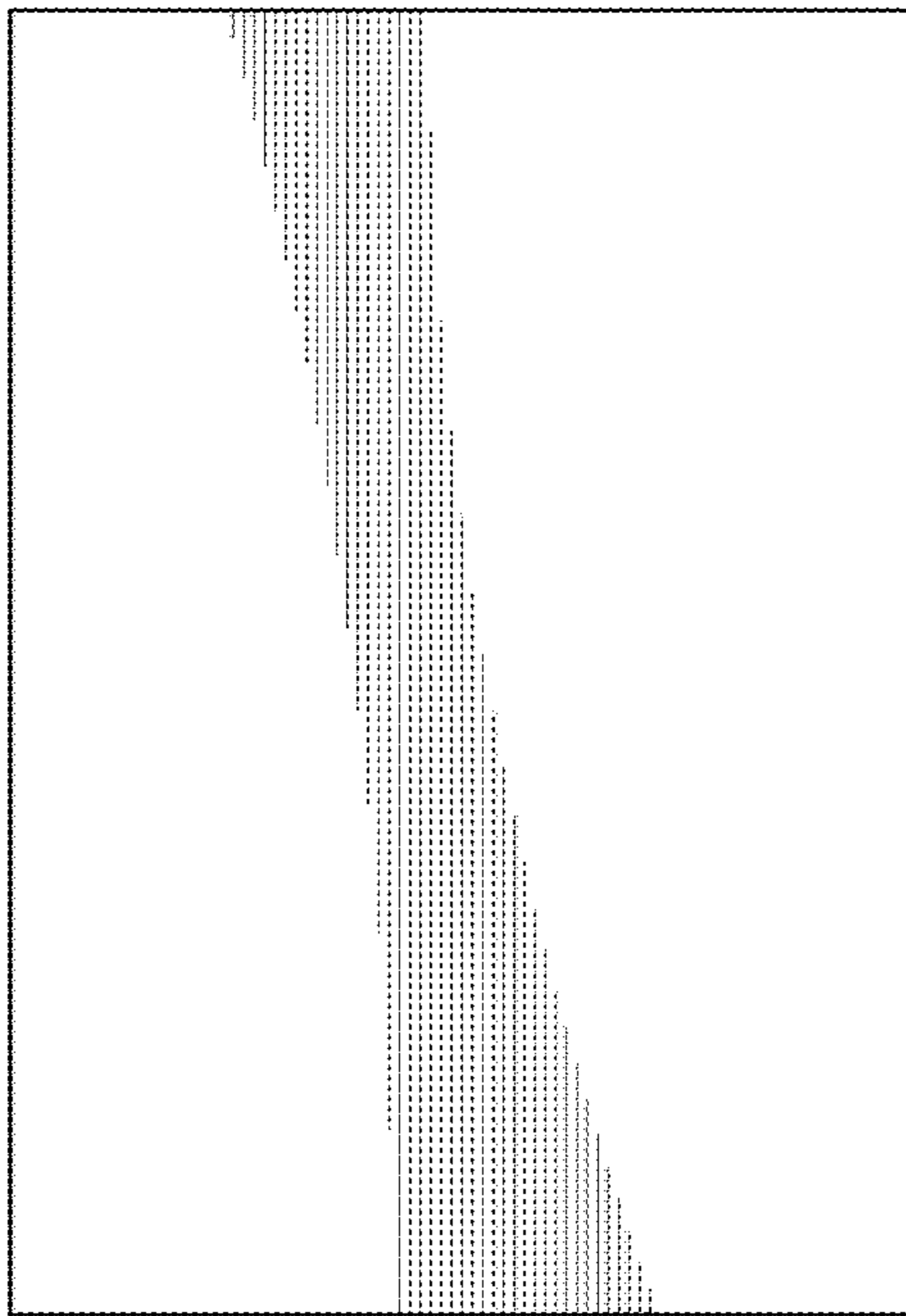


FIG. 31

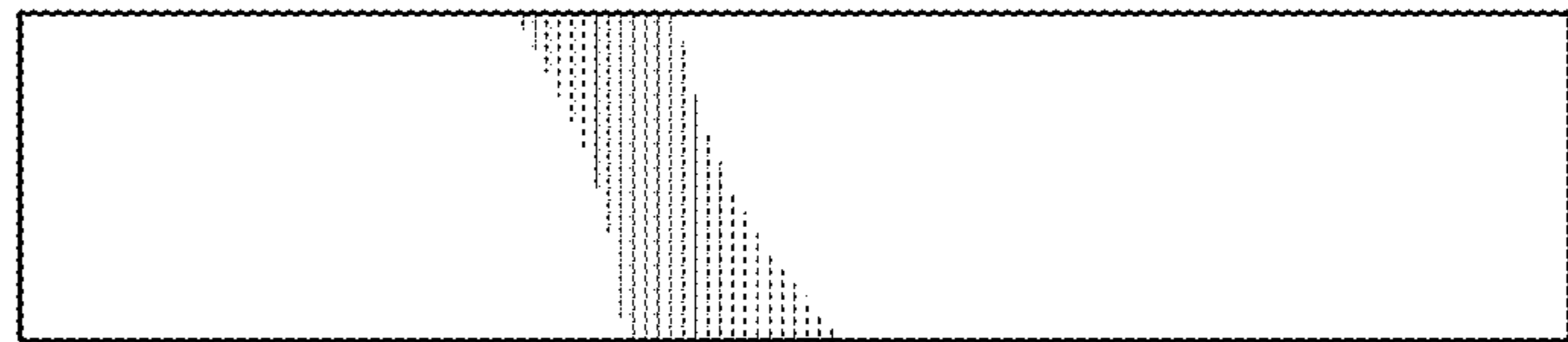


FIG. 30

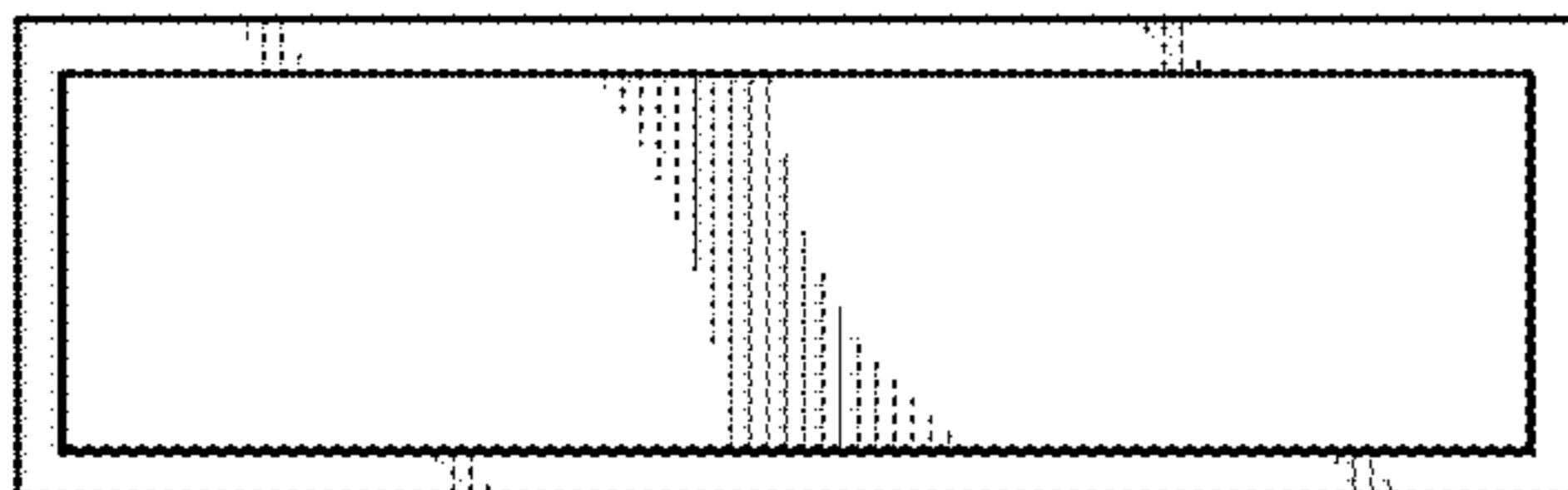


FIG. 27

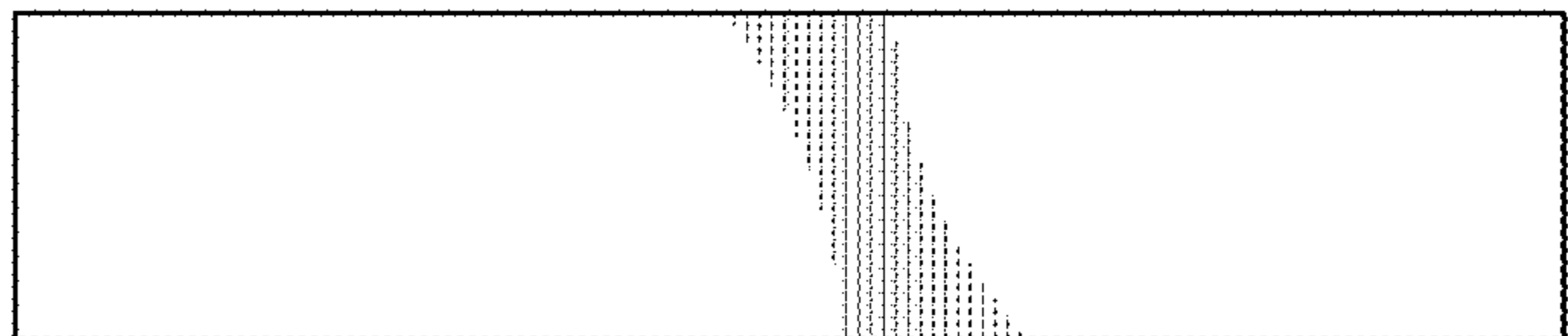


FIG. 28

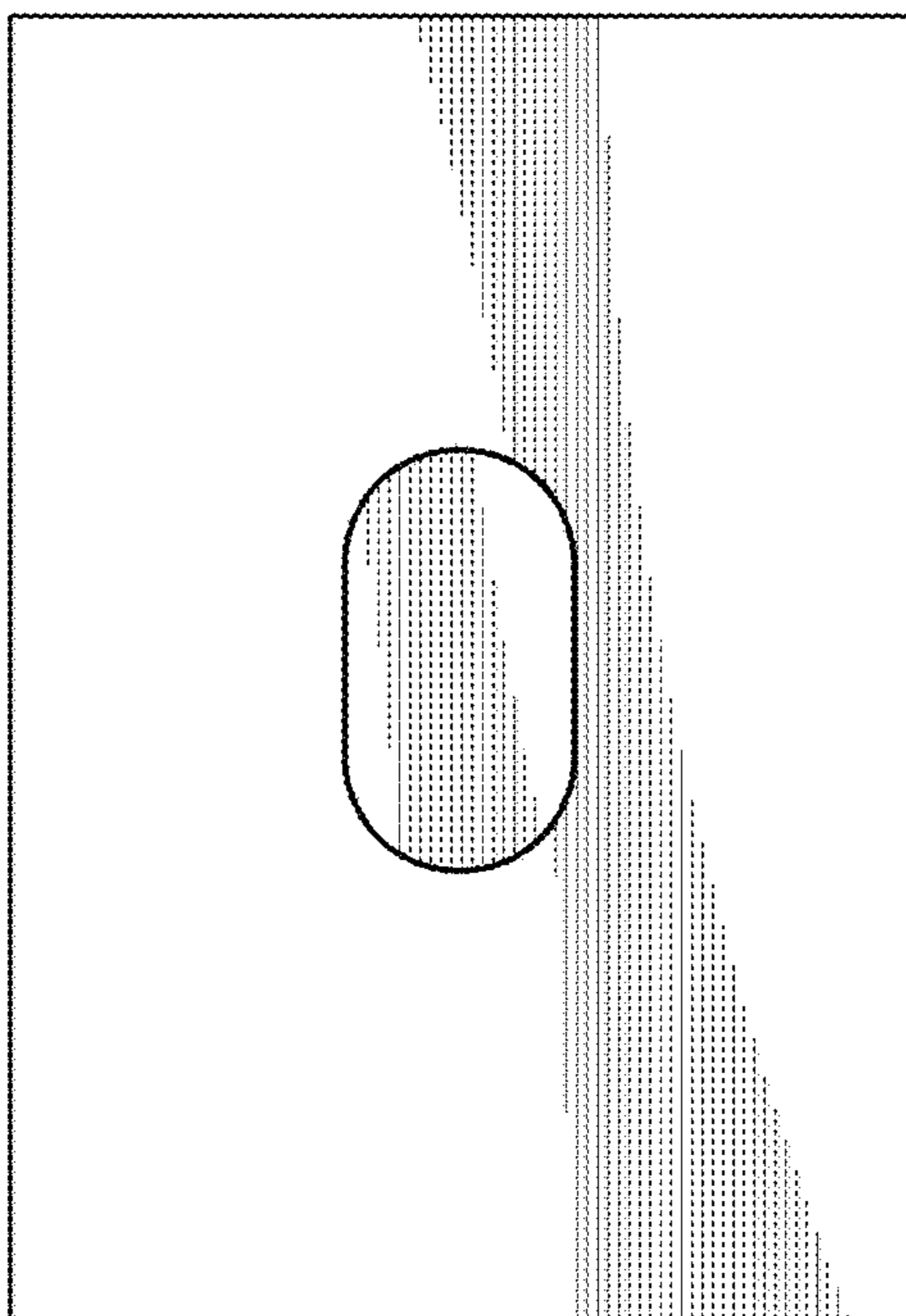


FIG. 32

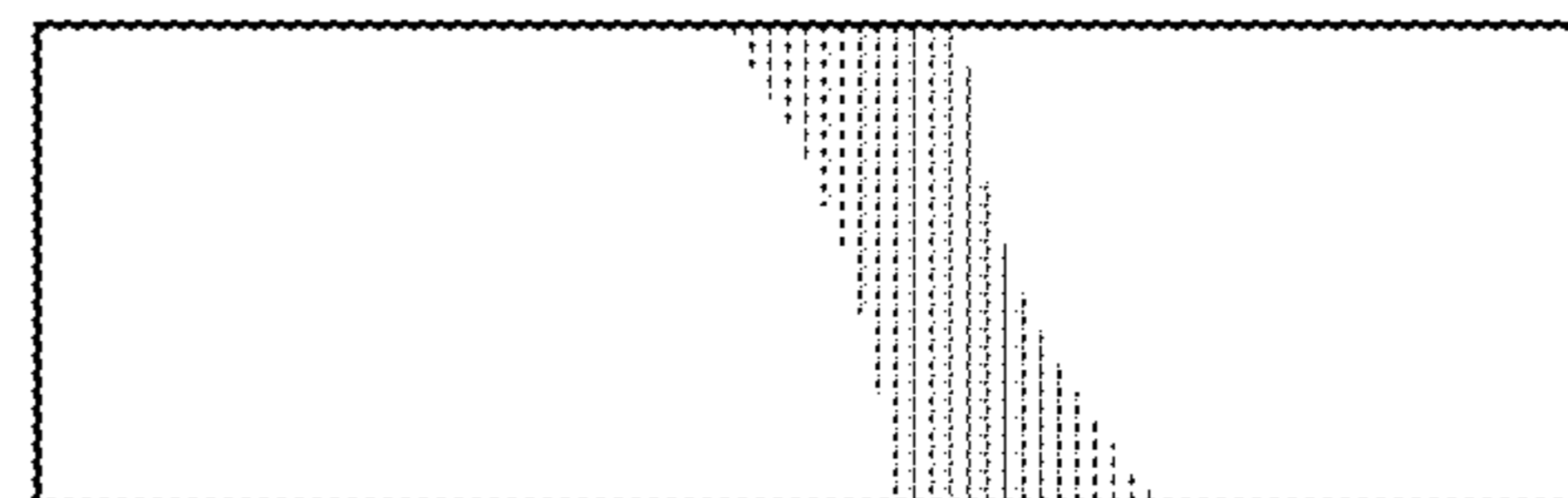


FIG. 29

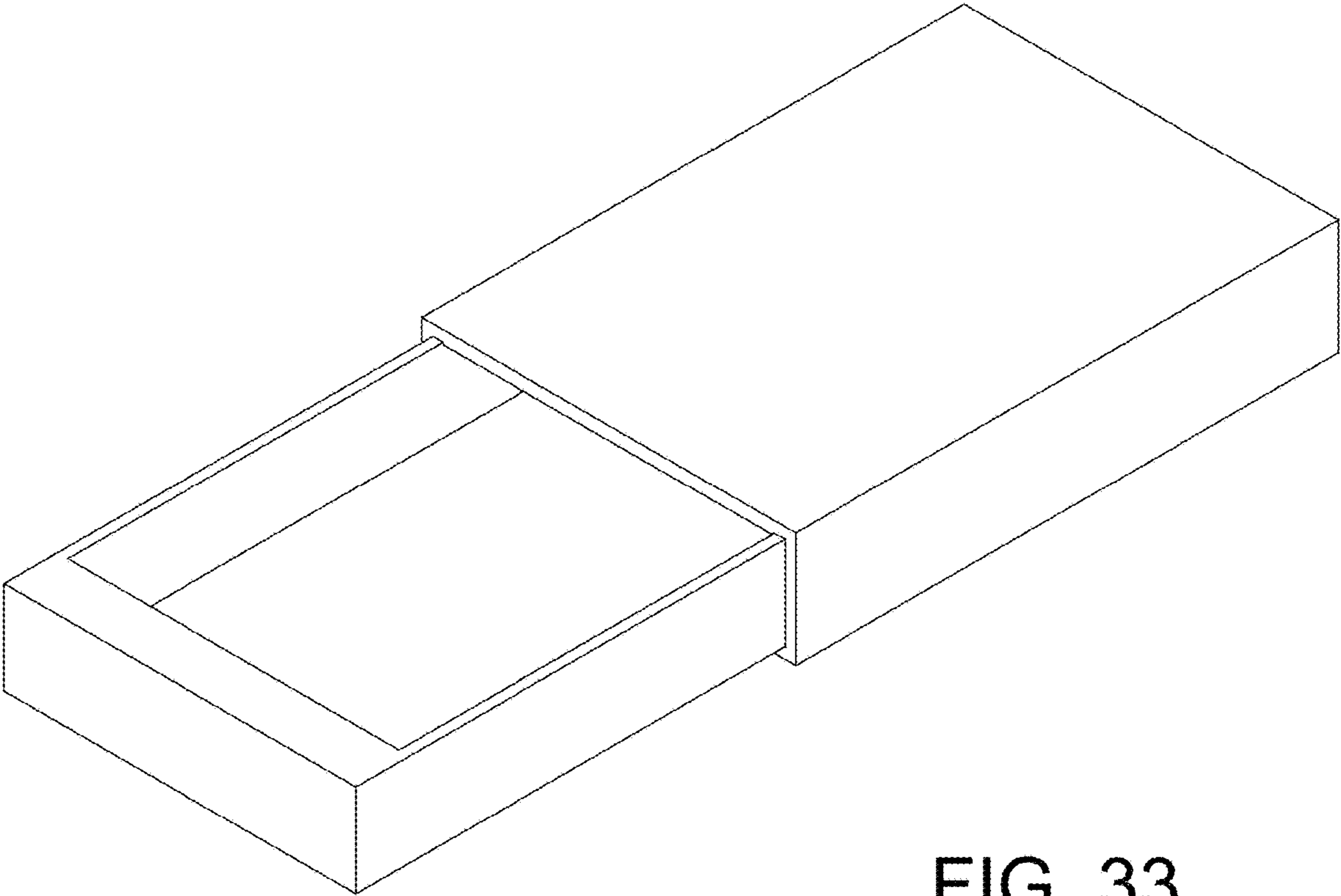


FIG. 33

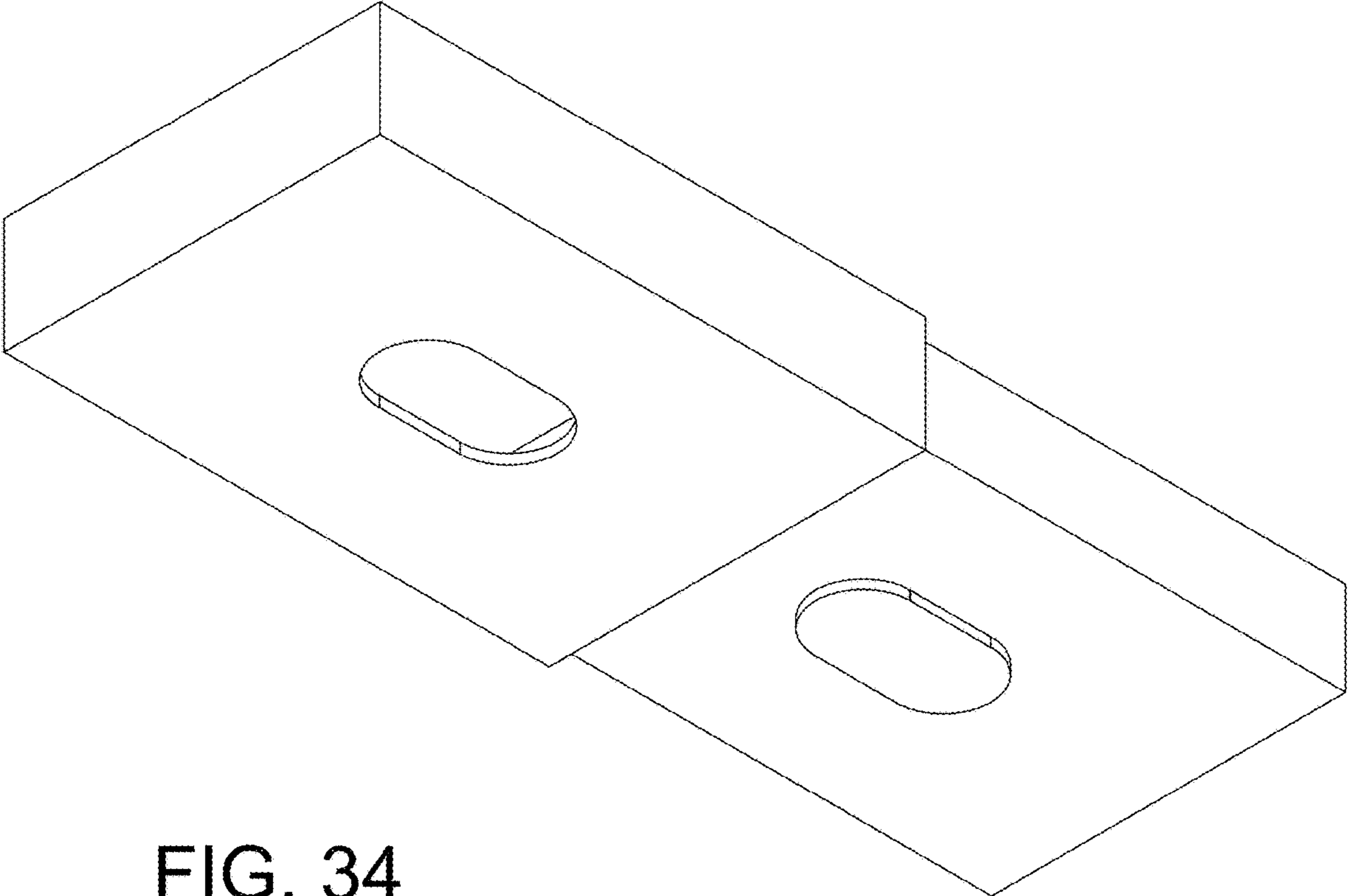


FIG. 34

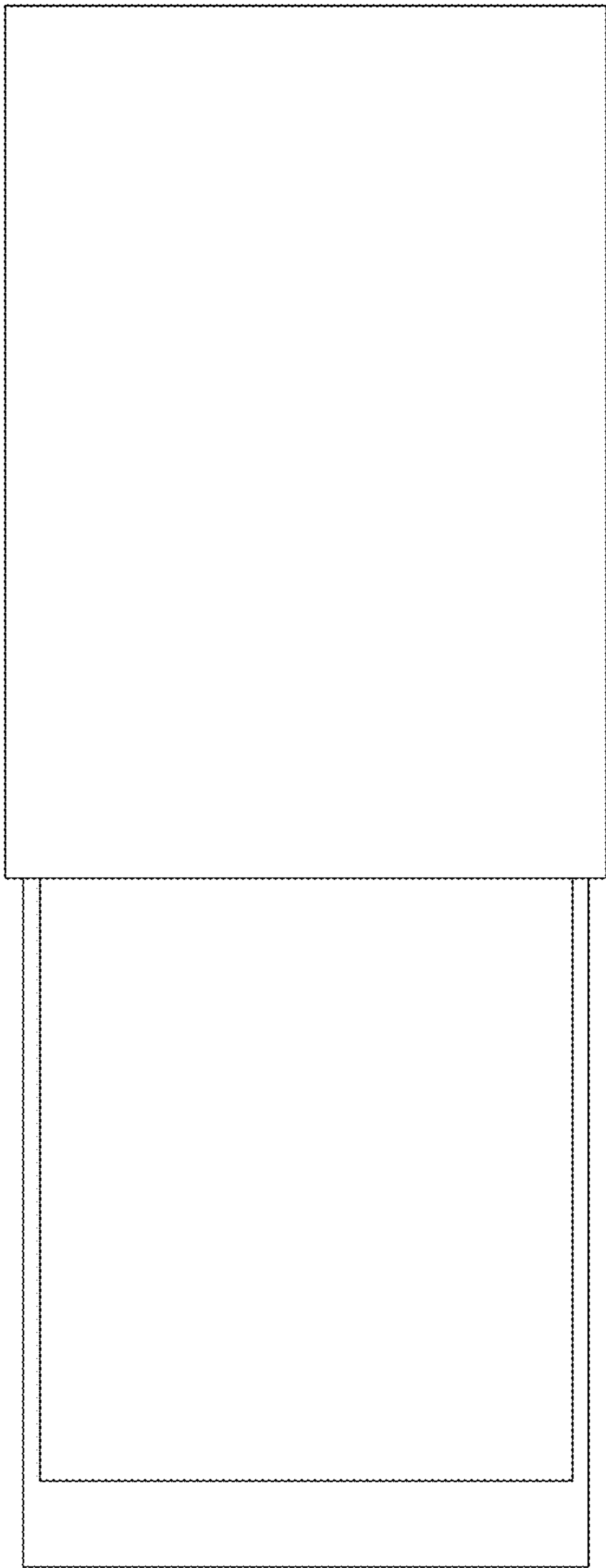


FIG. 39

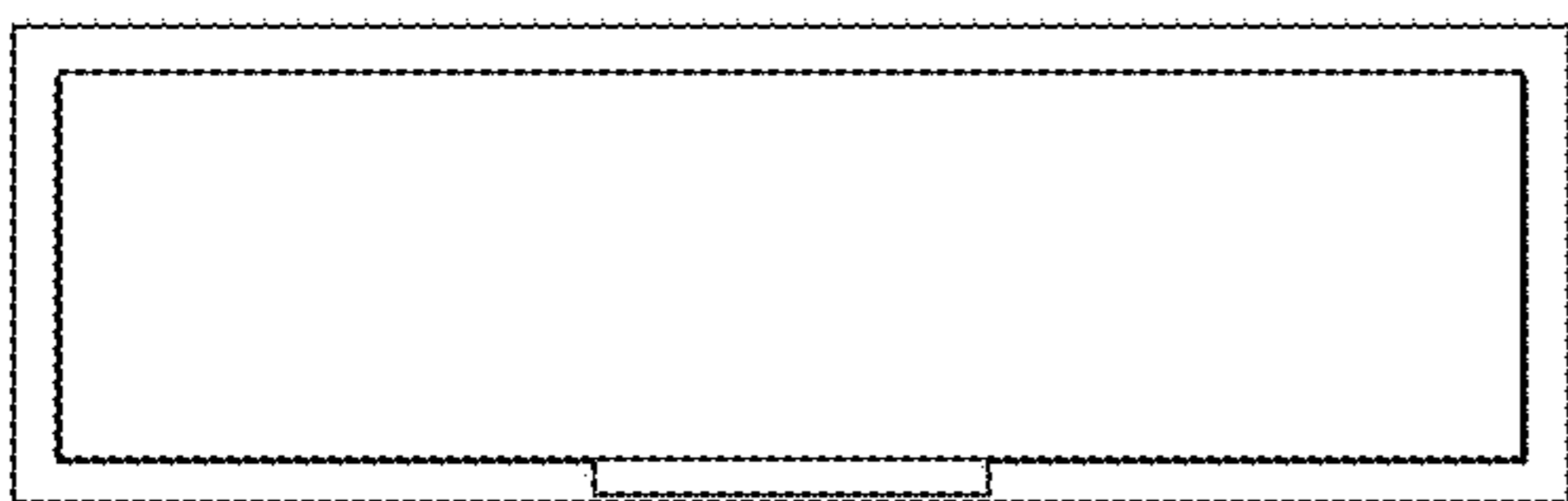


FIG. 35



FIG. 37

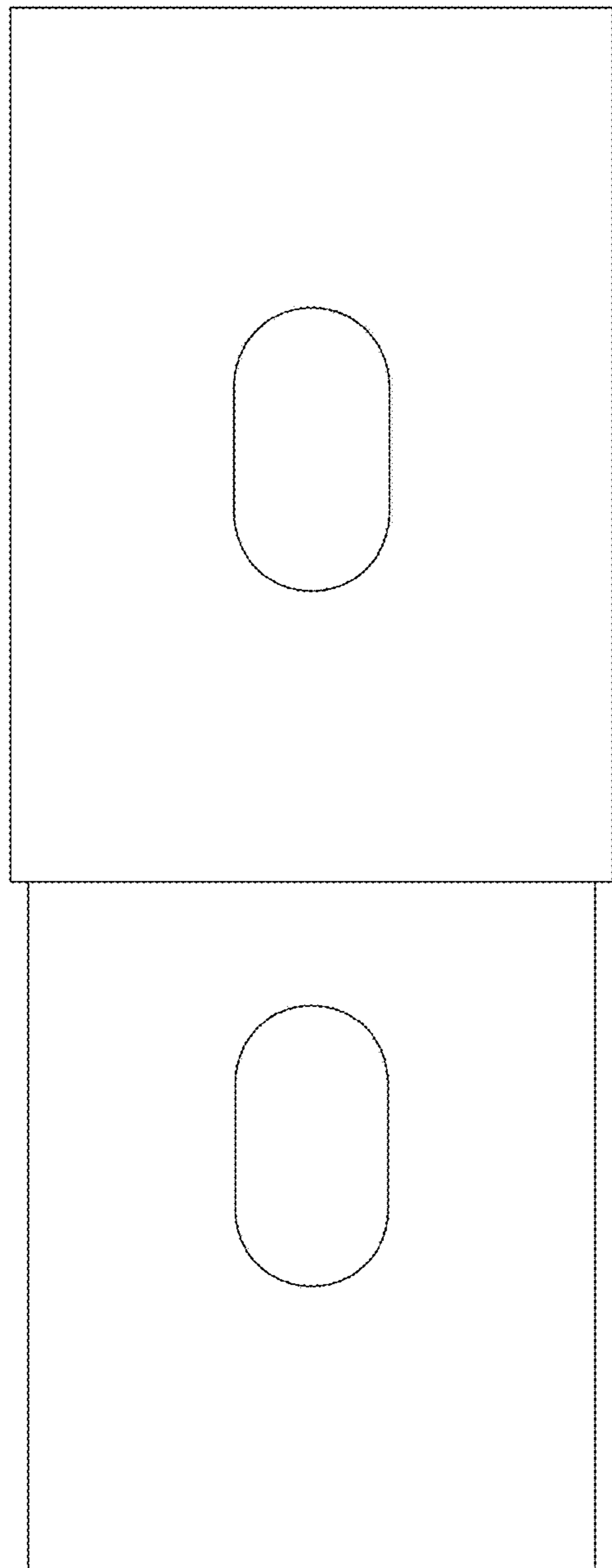


FIG. 40

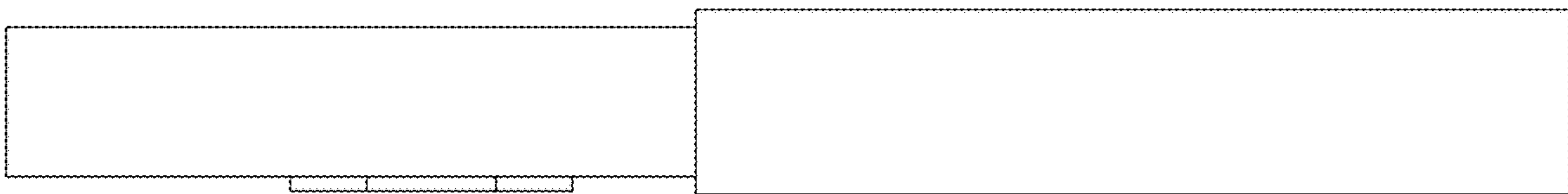


FIG. 36

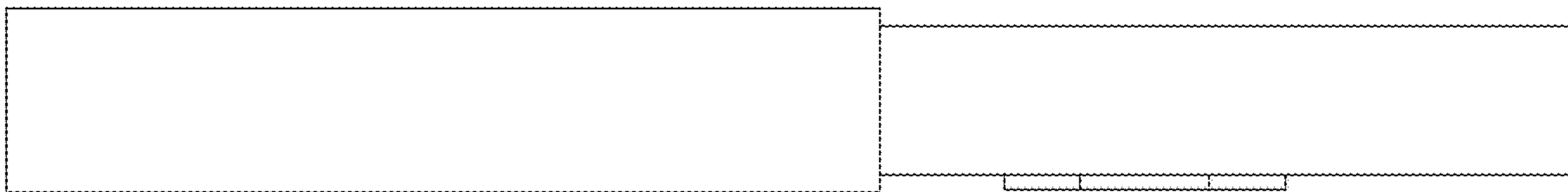


FIG. 38

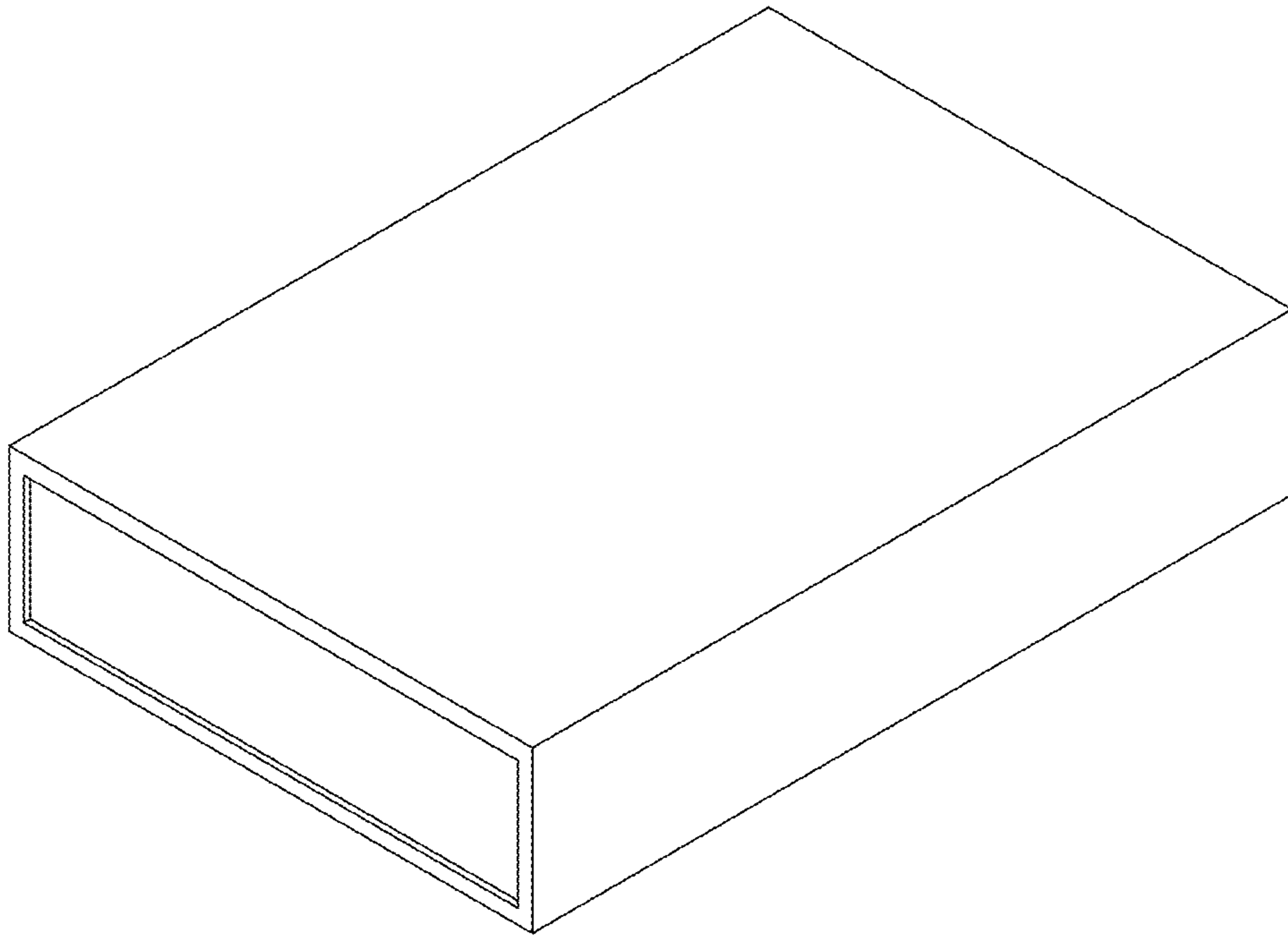


FIG. 41

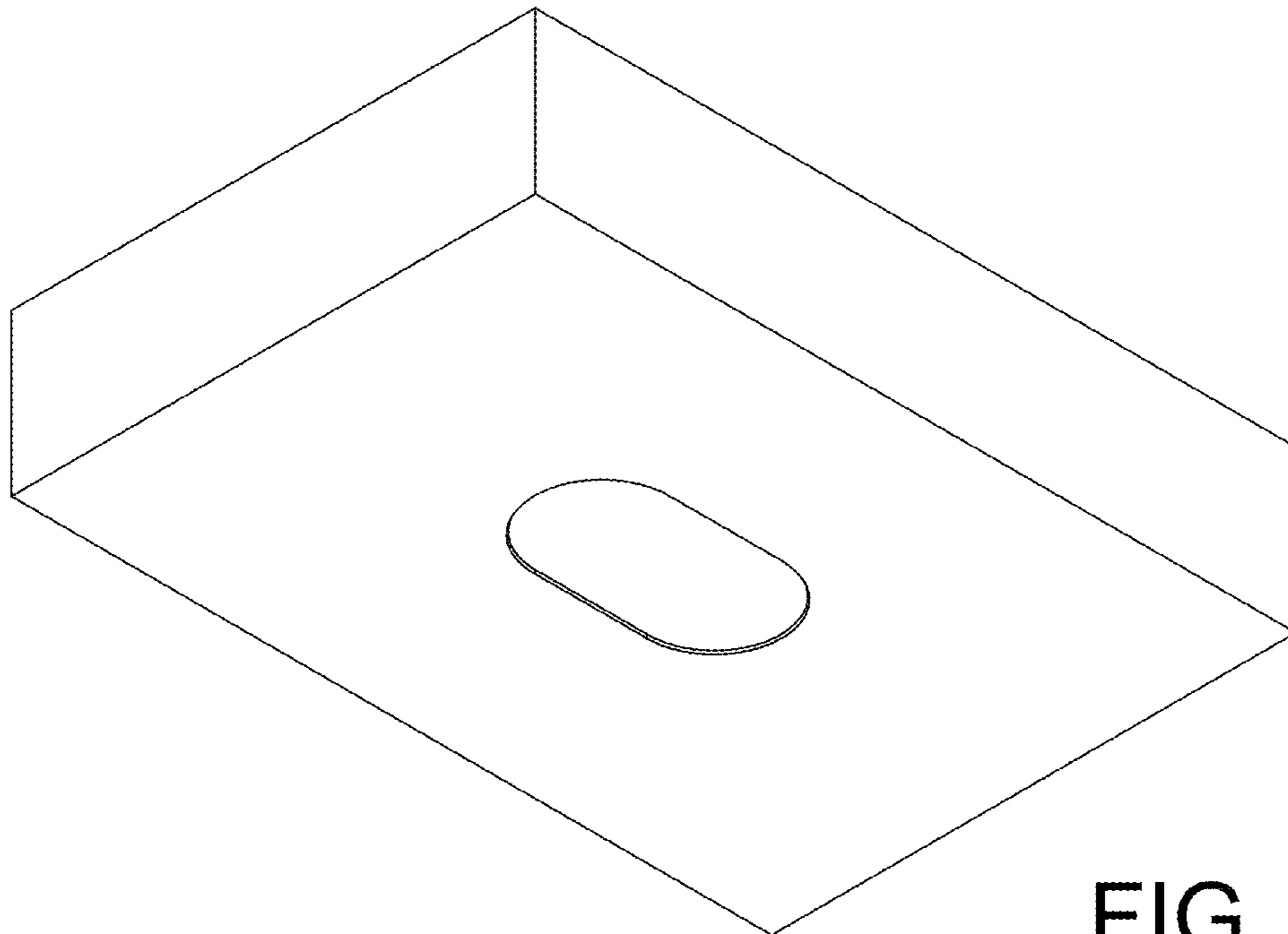


FIG. 42

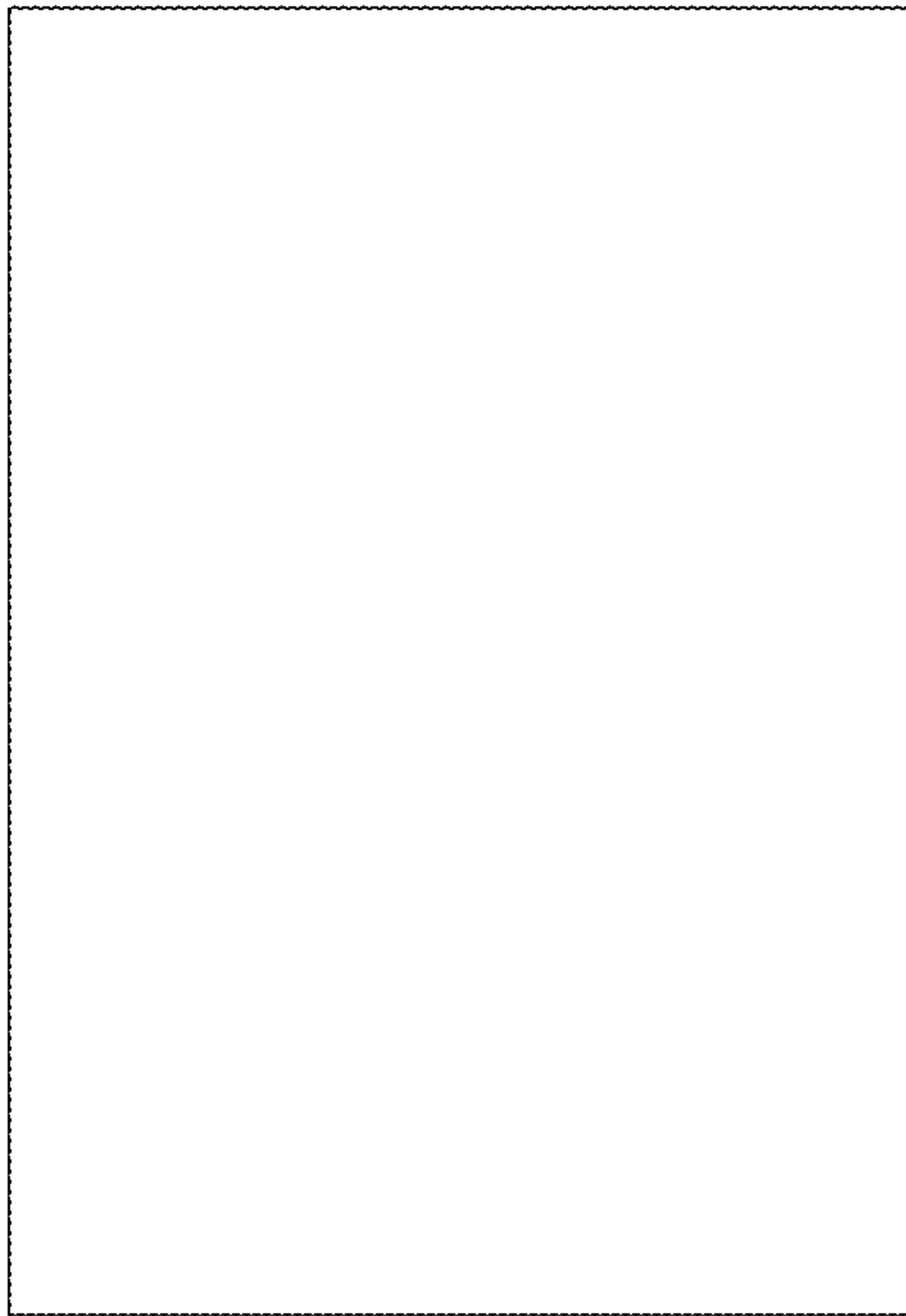


FIG. 47



FIG. 46

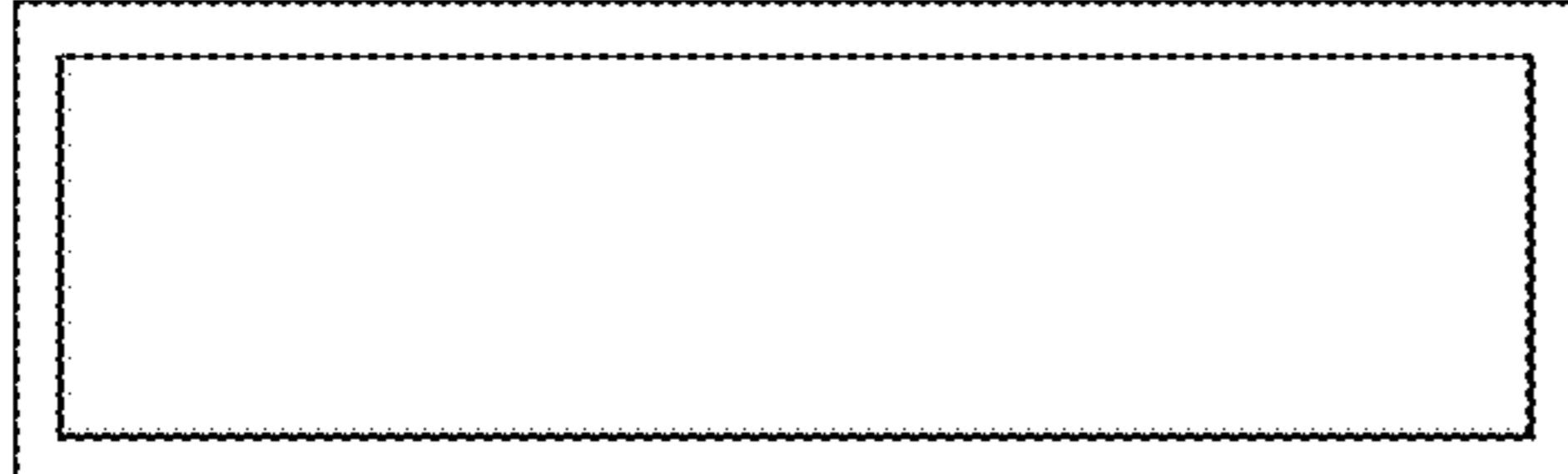


FIG. 43



FIG. 44

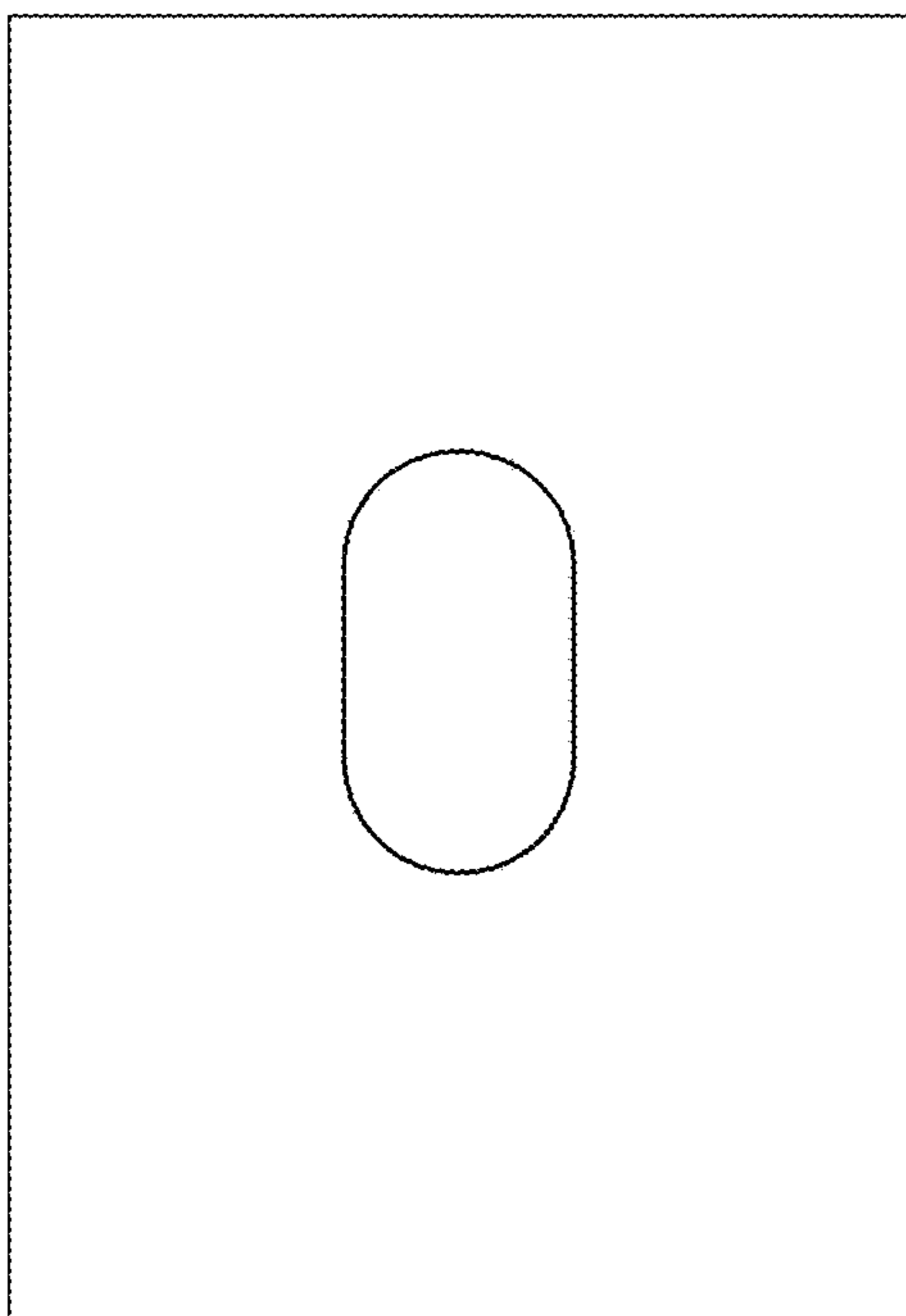


FIG. 48



FIG. 45

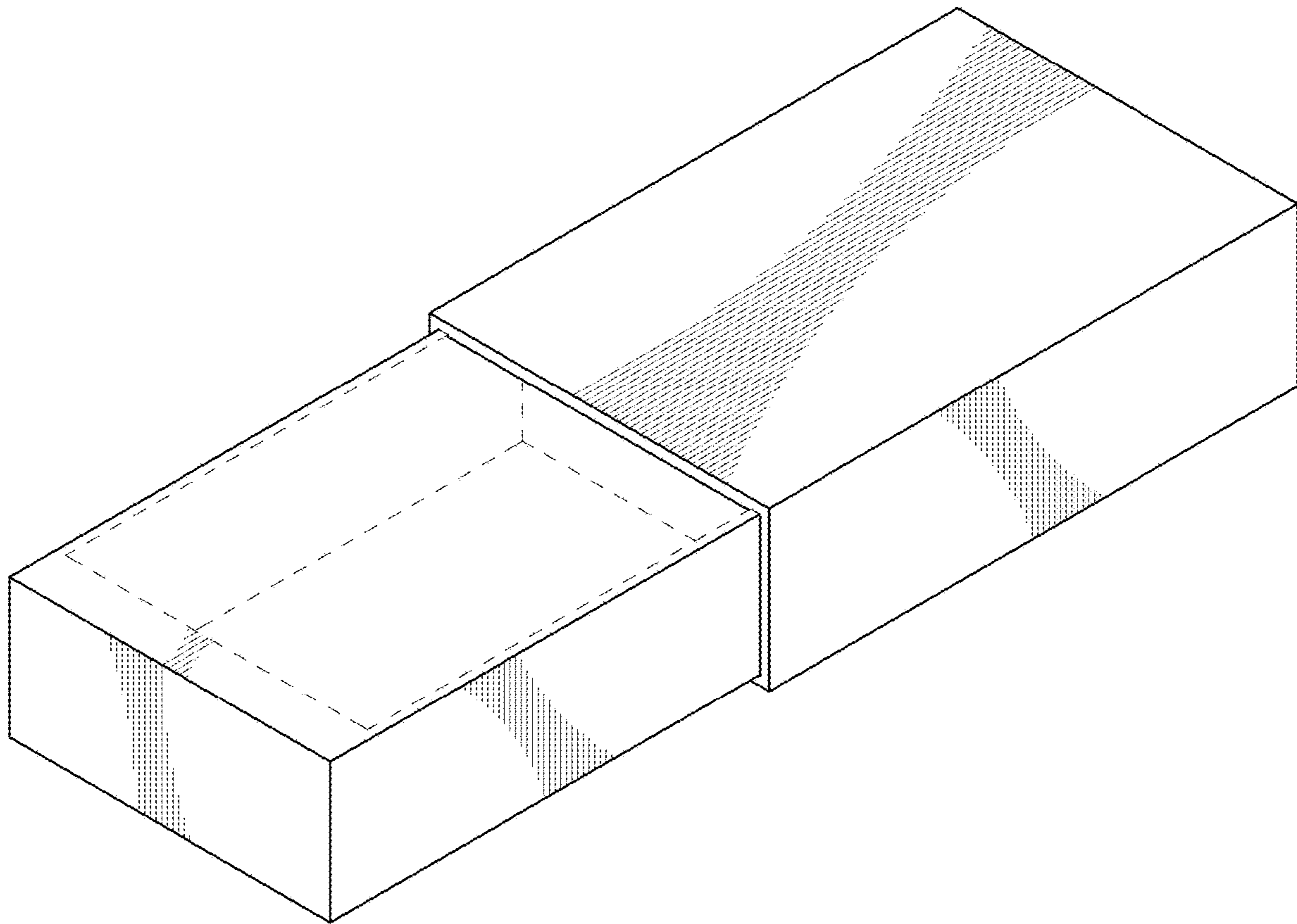


FIG. 49

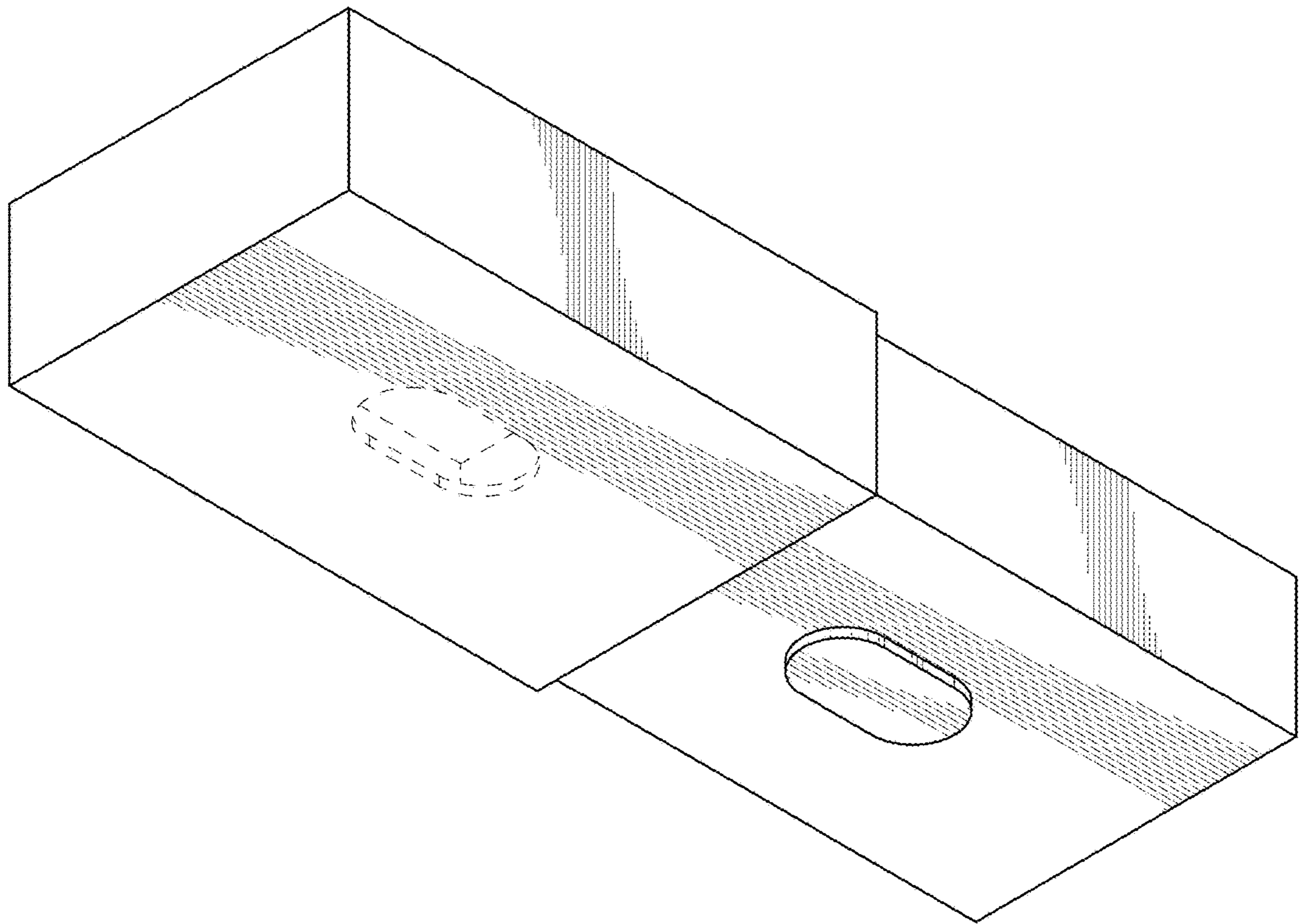


FIG. 50

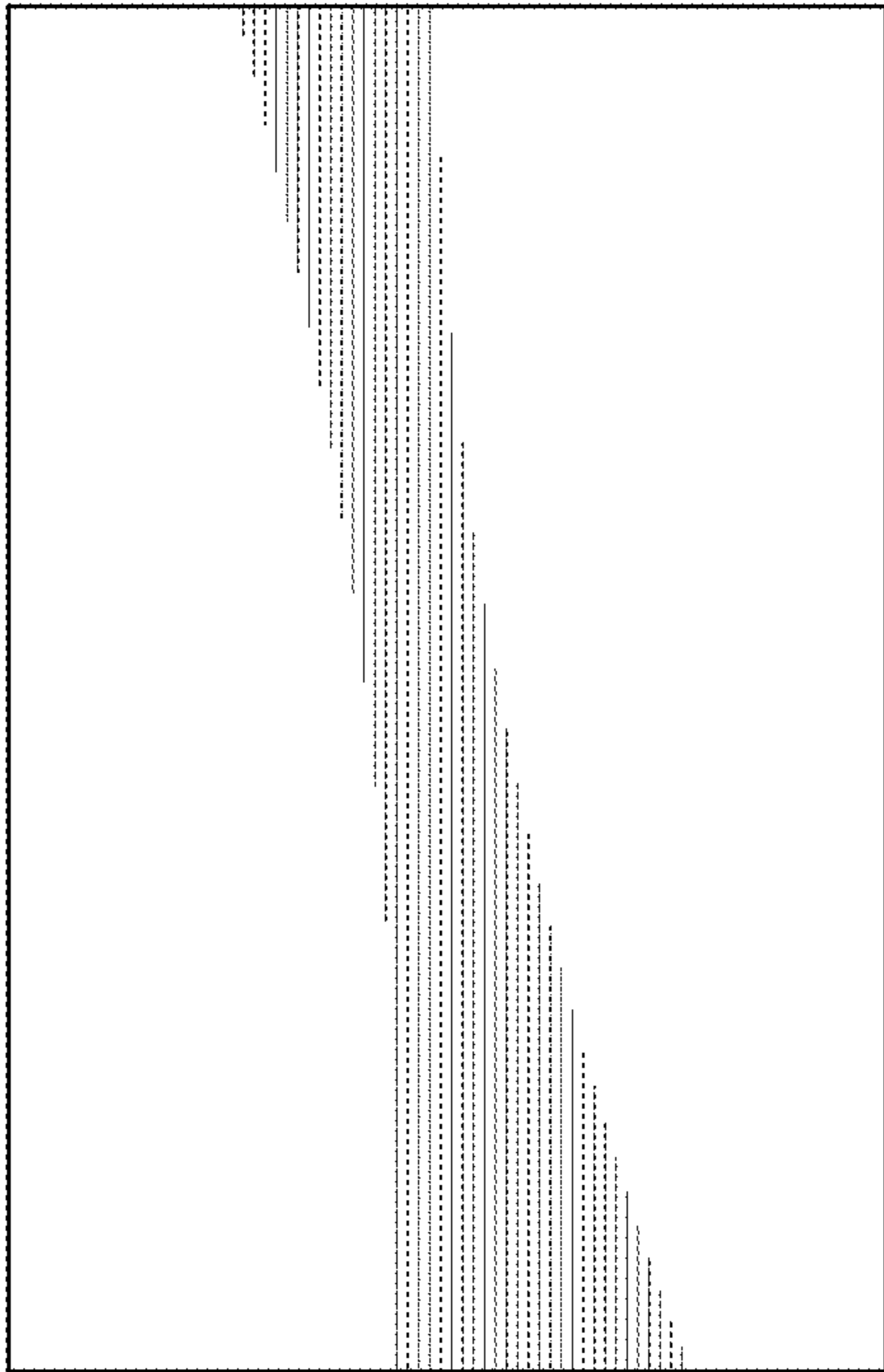


FIG. 55

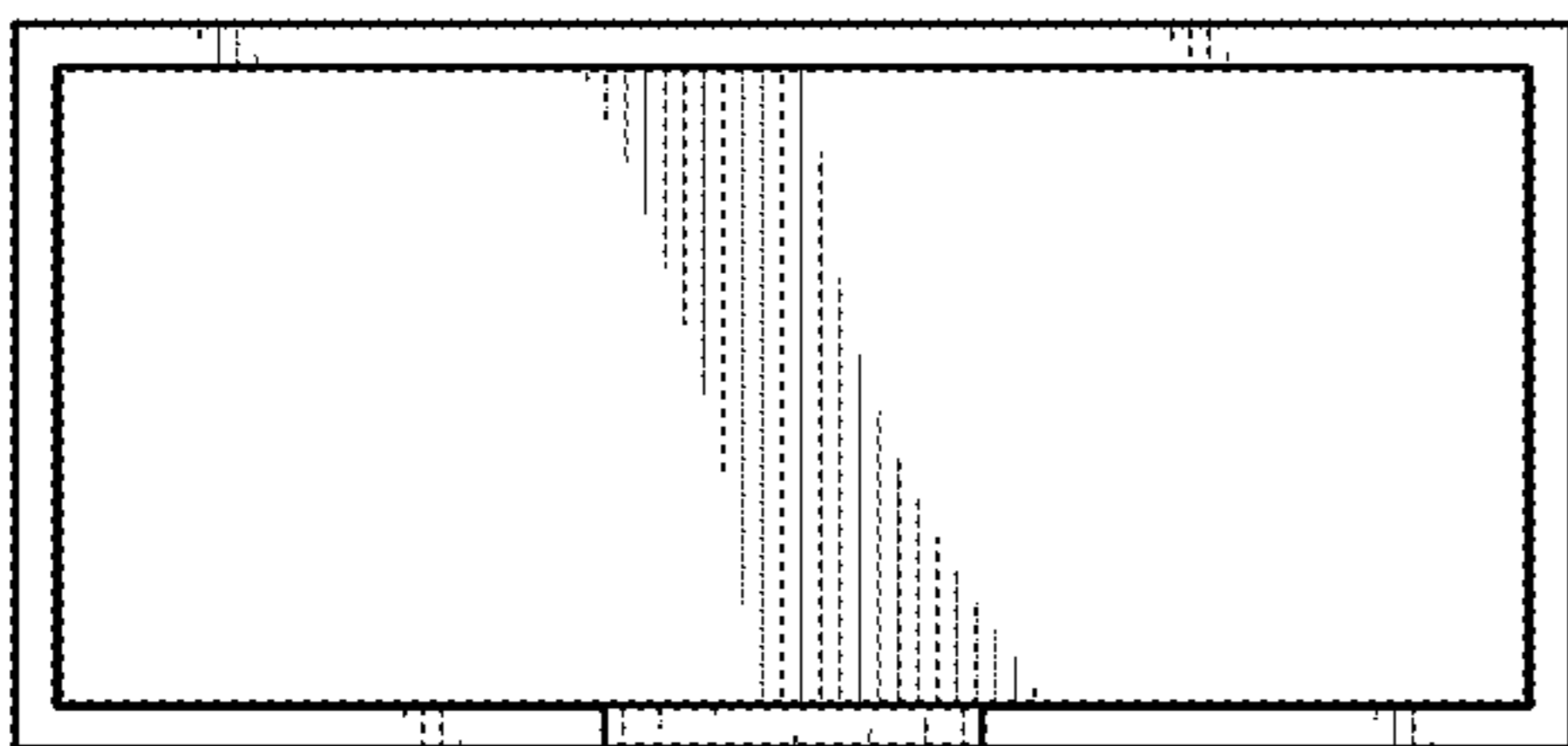


FIG. 51

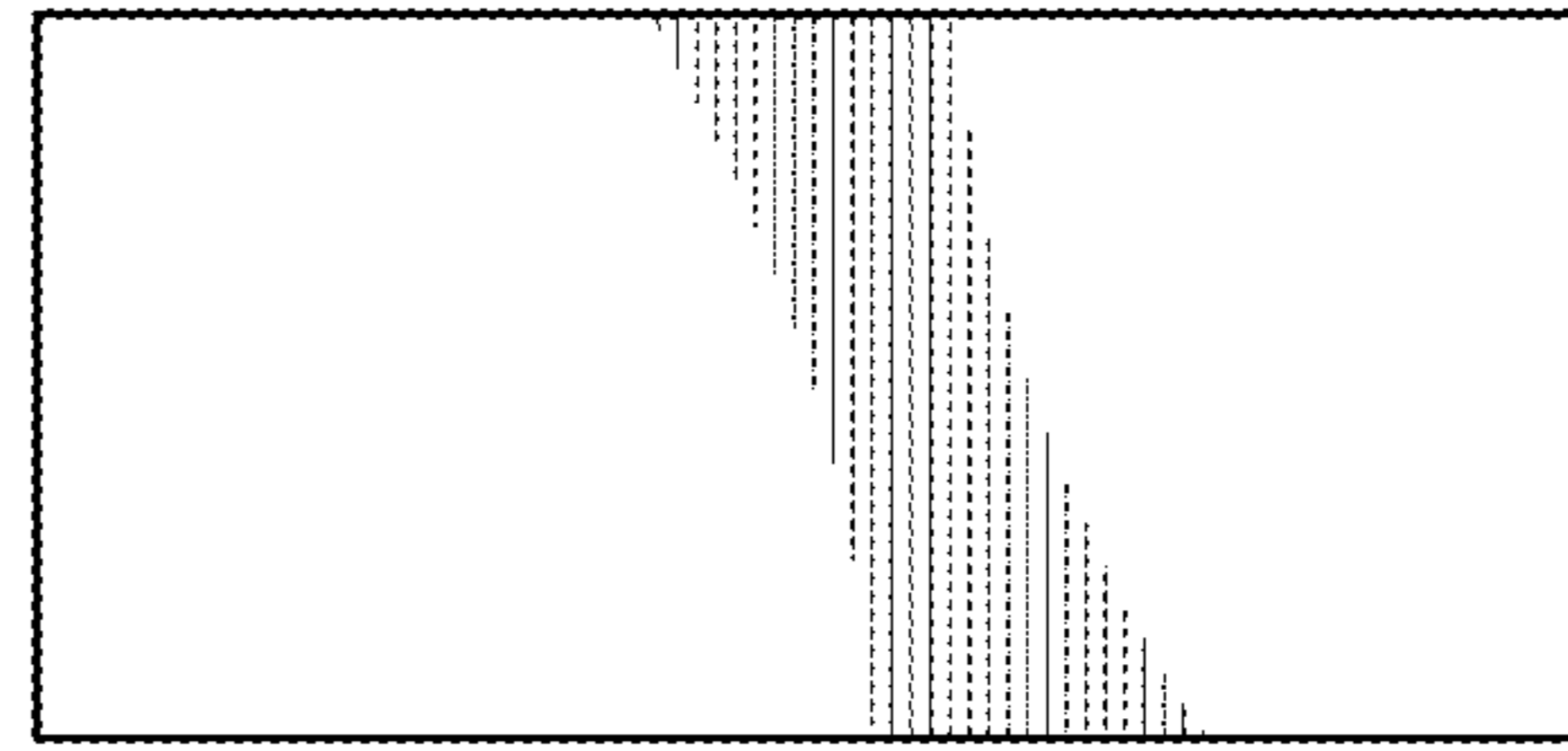


FIG. 53

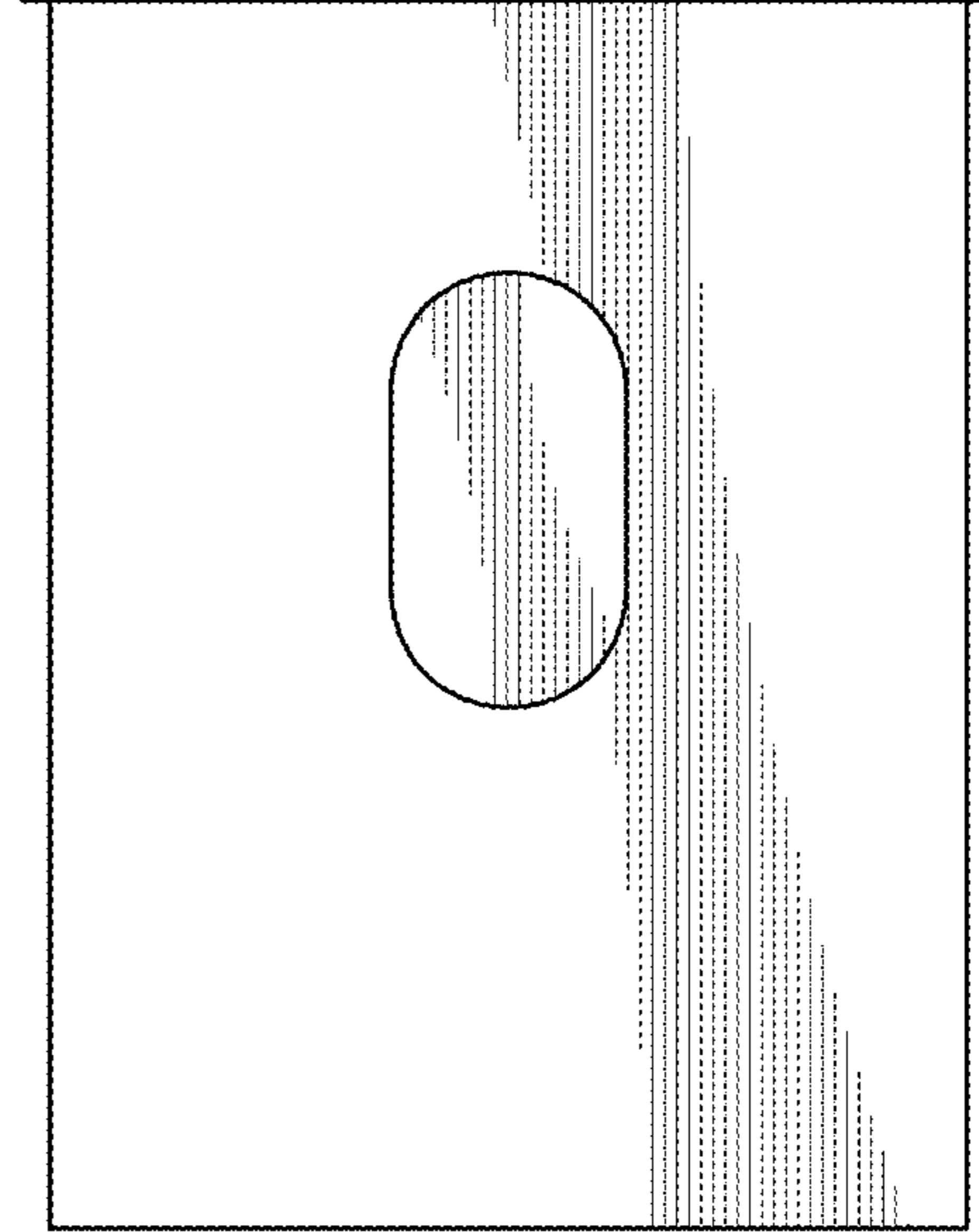
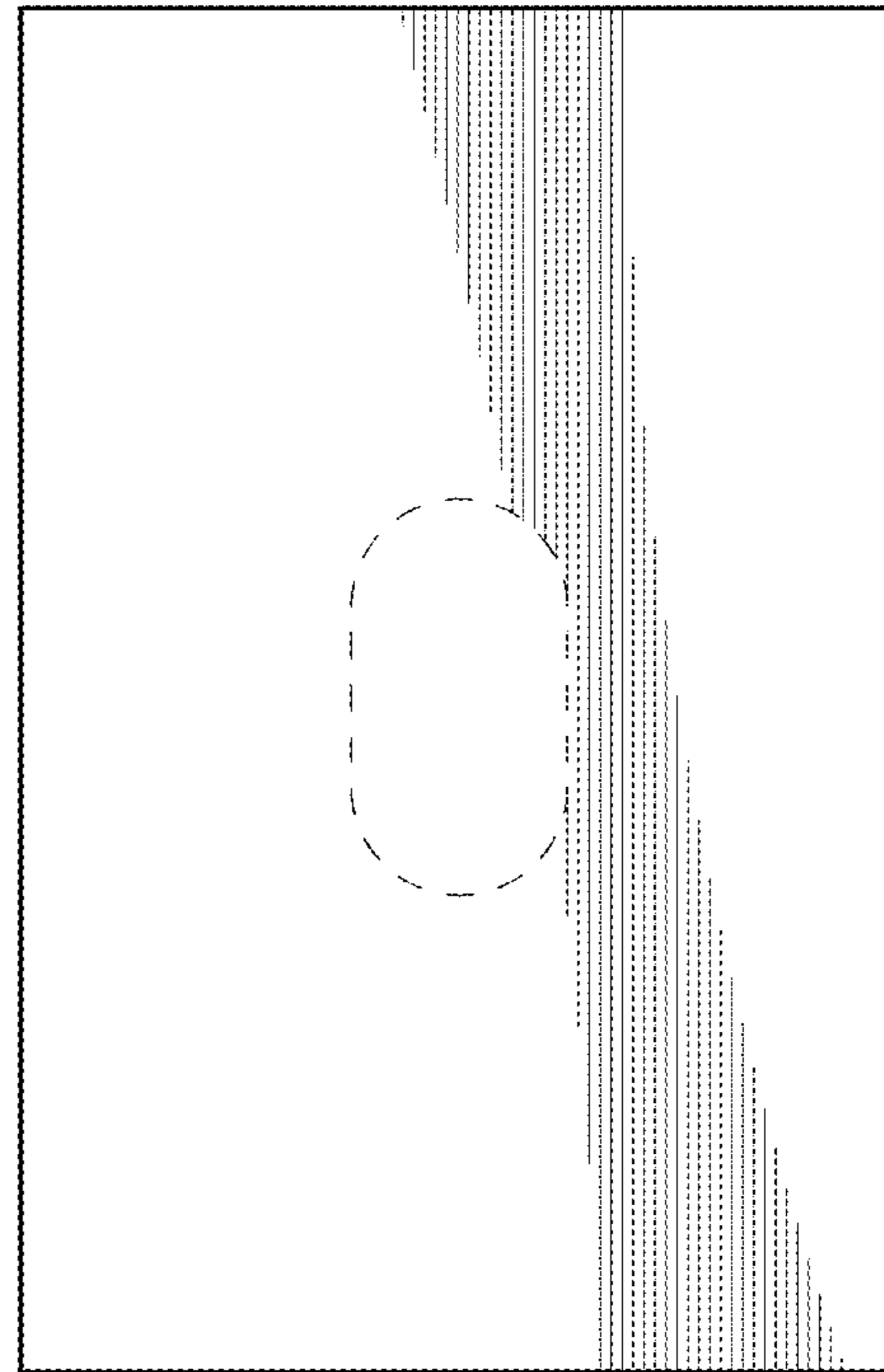


FIG. 56

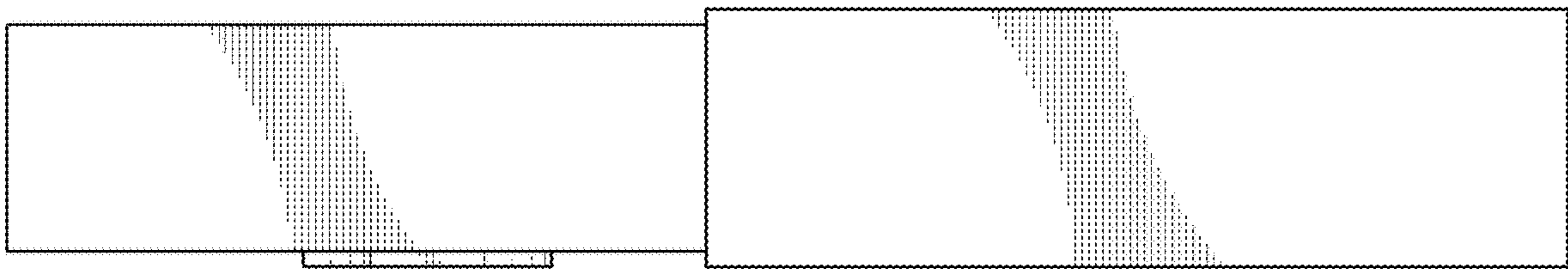


FIG. 52

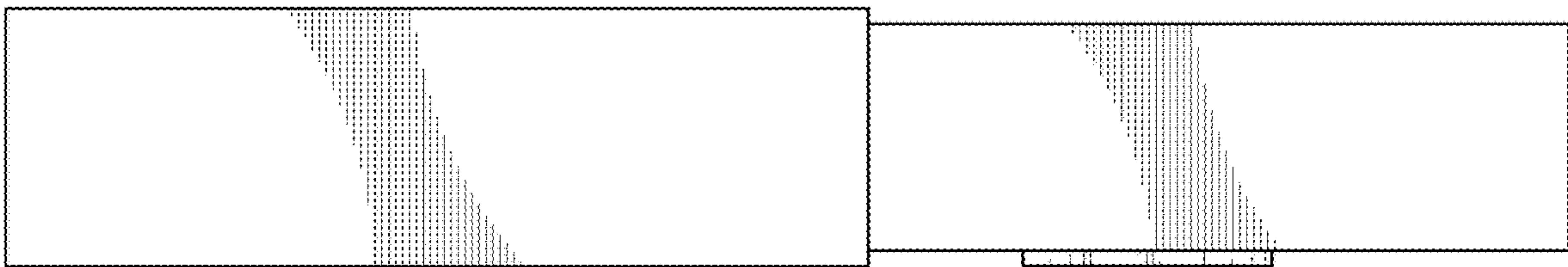


FIG. 54

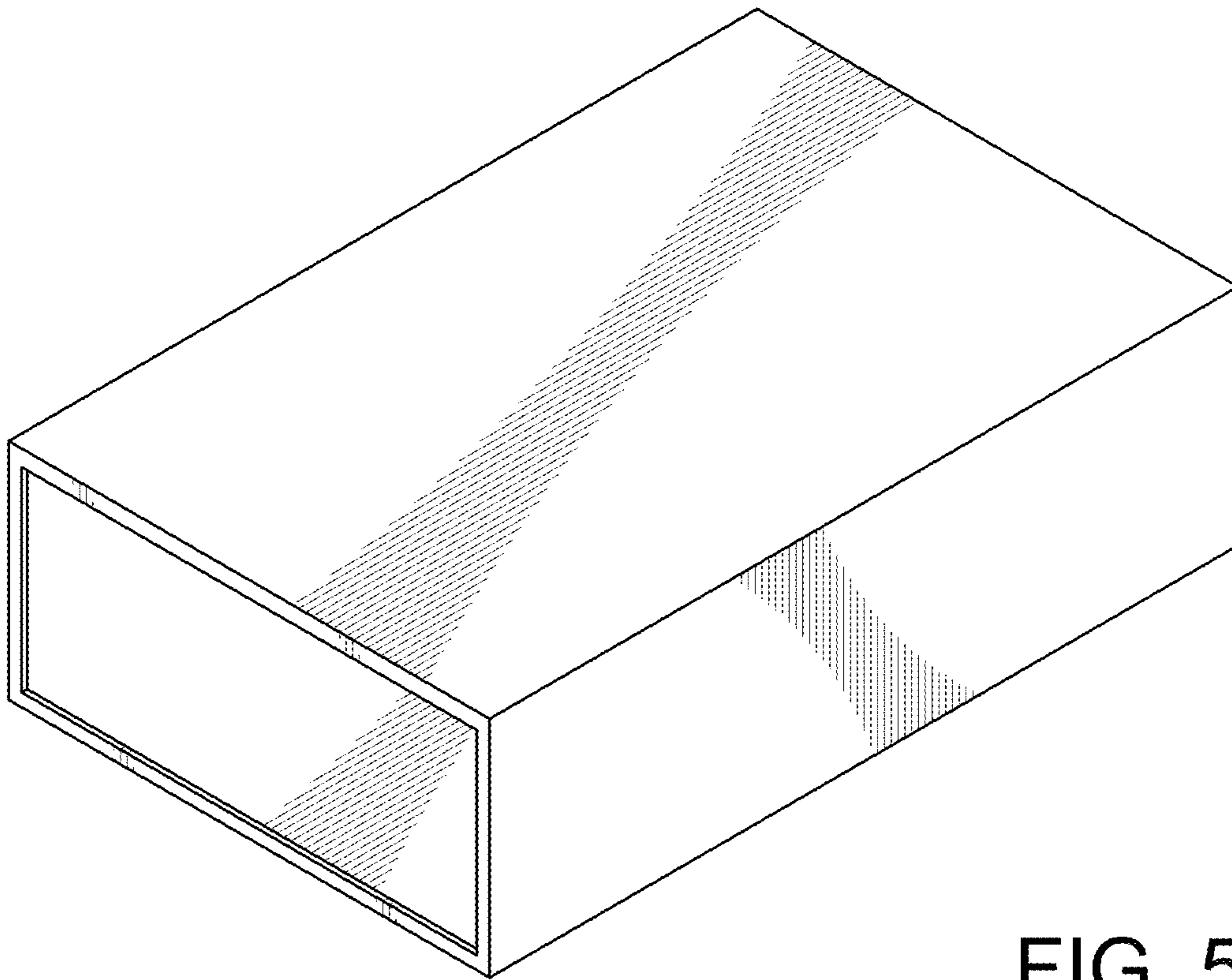


FIG. 57

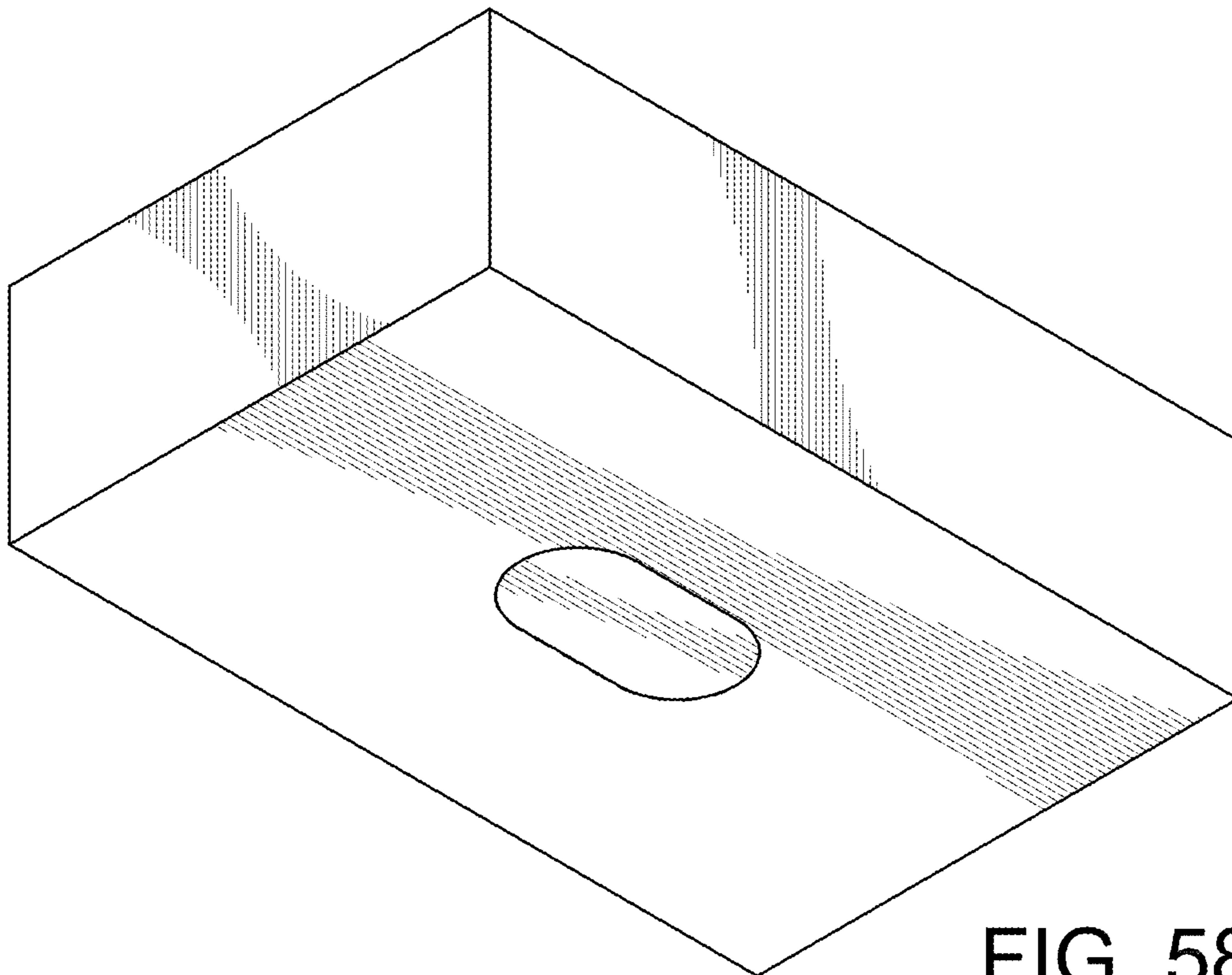


FIG. 58

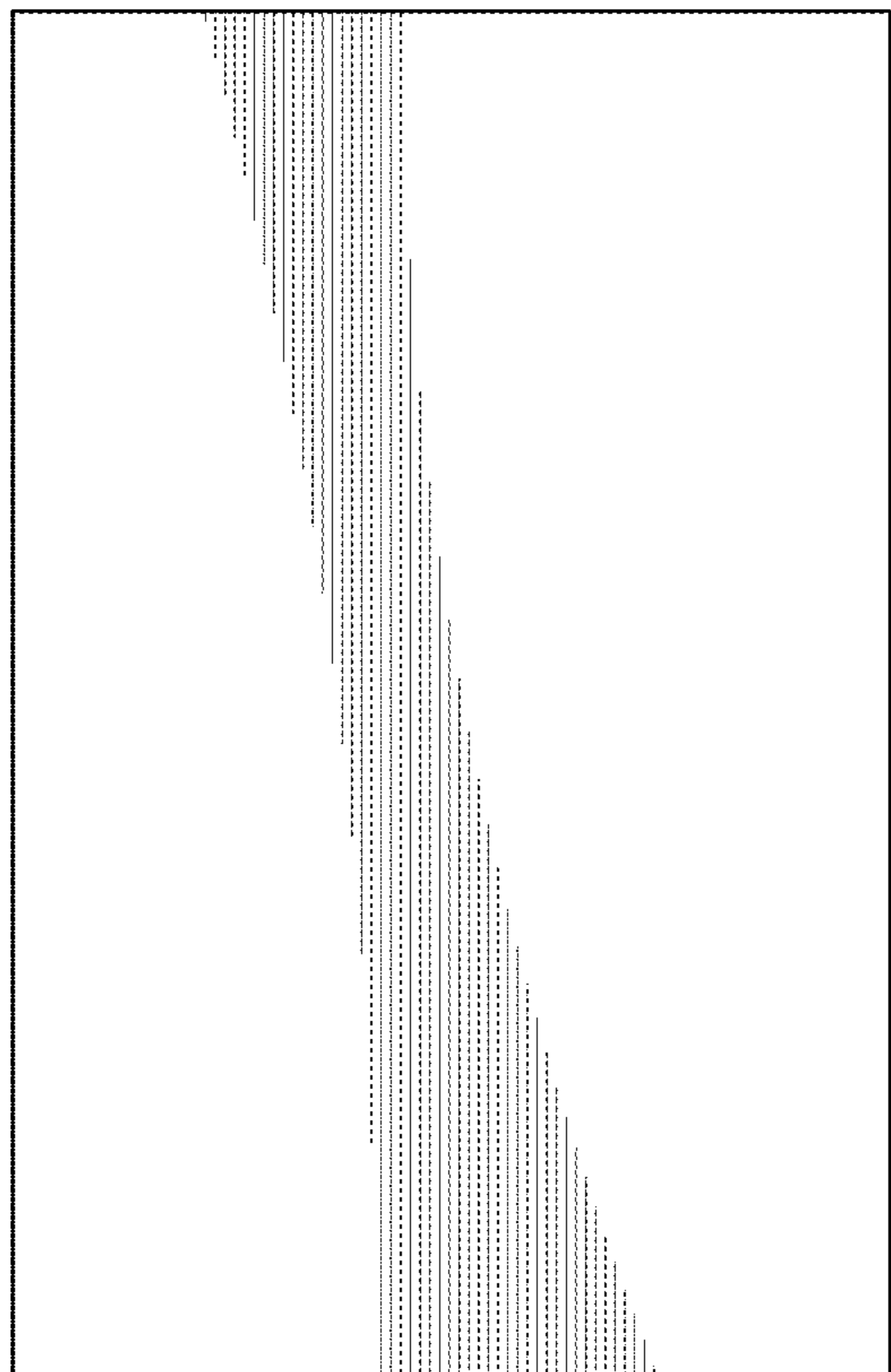


FIG. 63

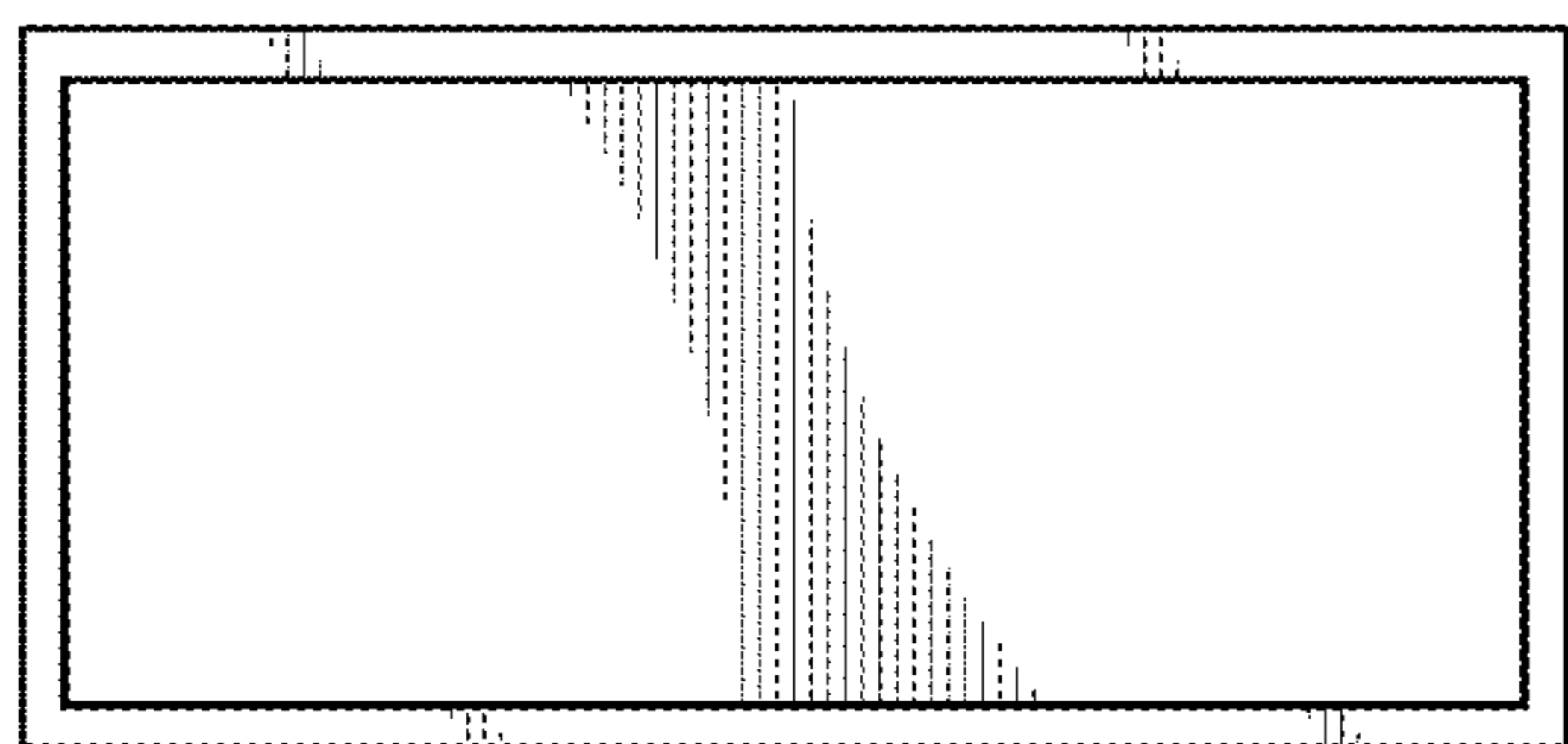


FIG. 59

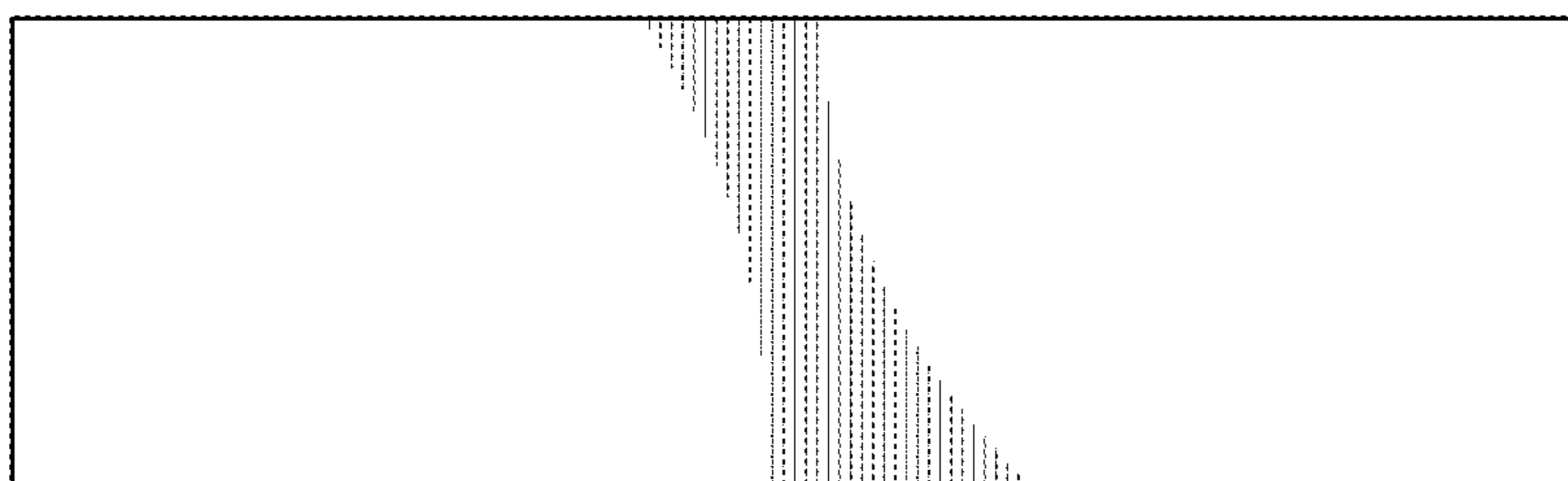


FIG. 60

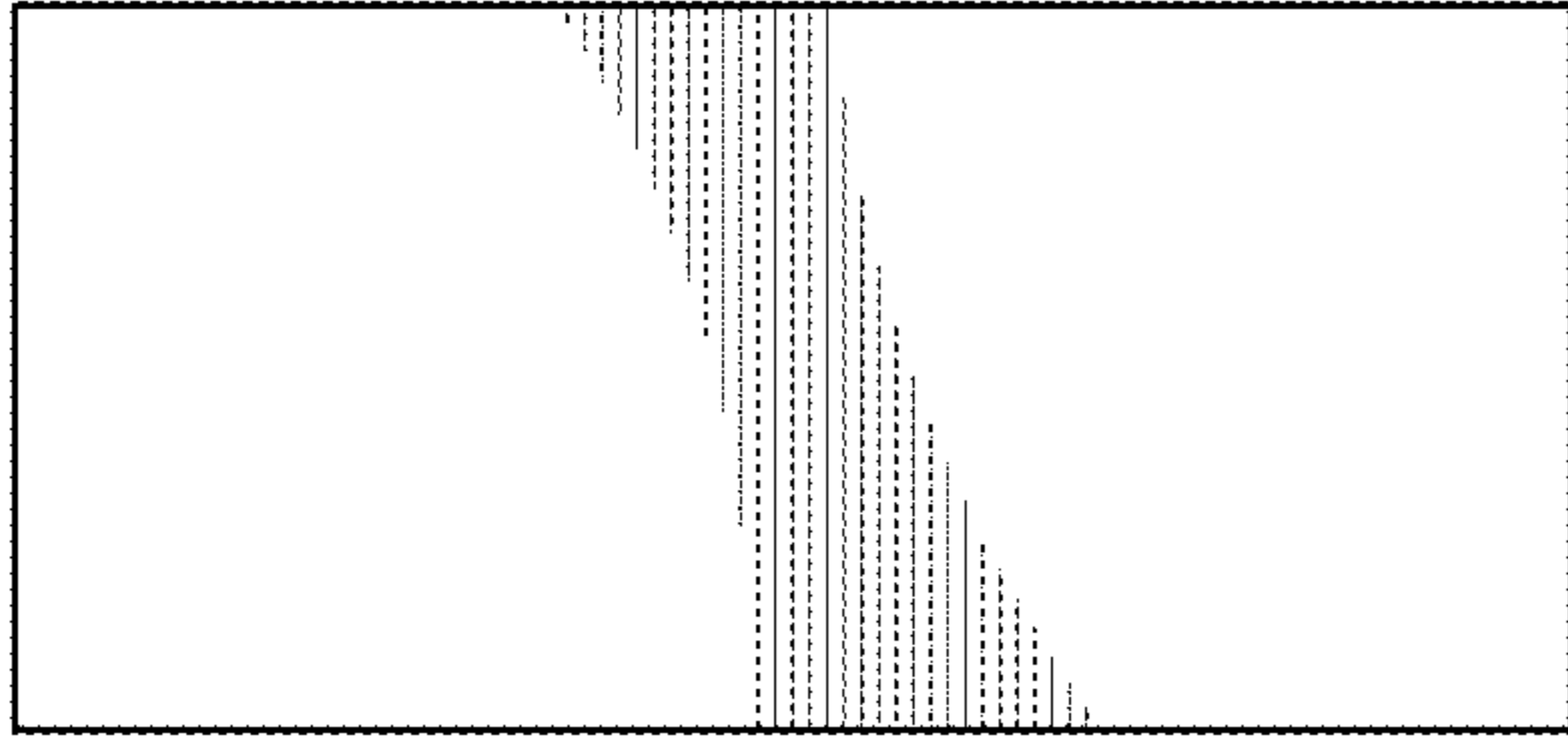


FIG. 61

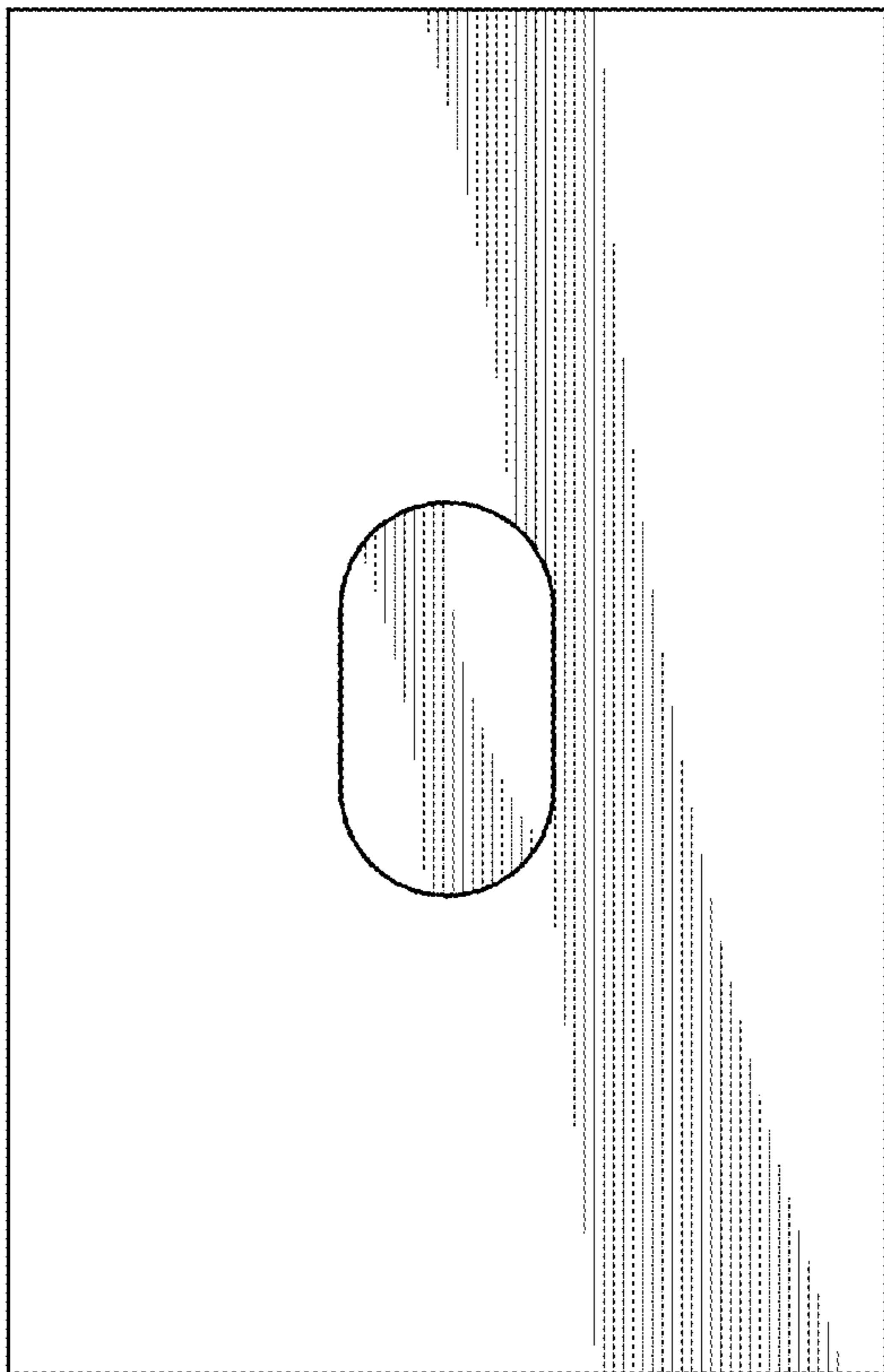


FIG. 64

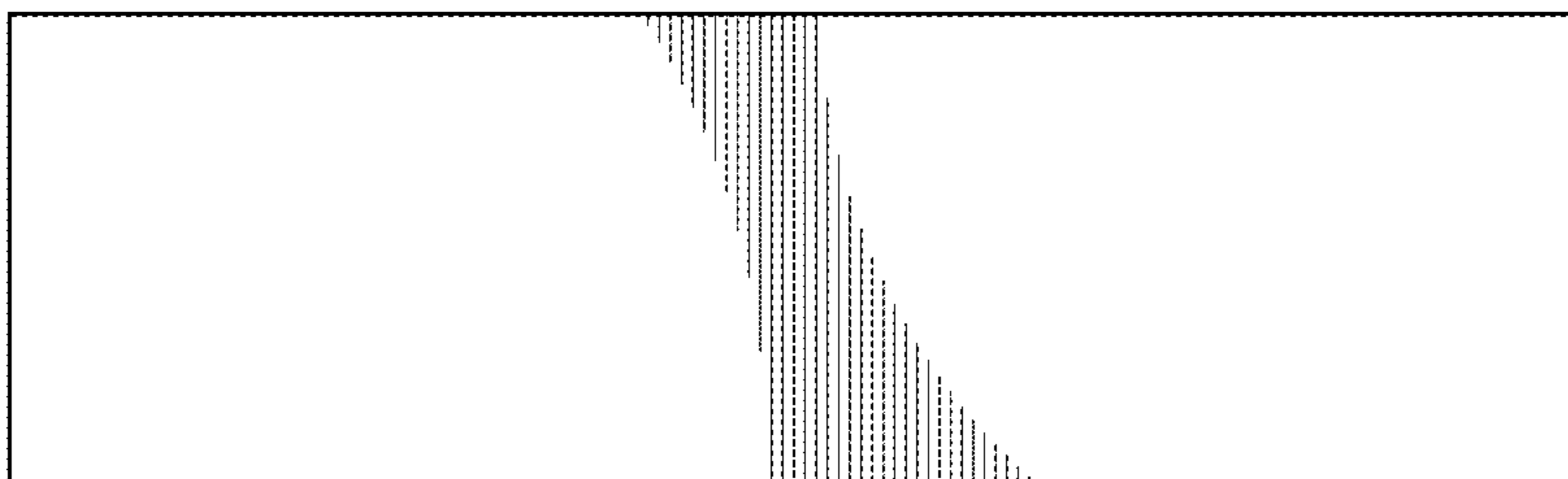


FIG. 62

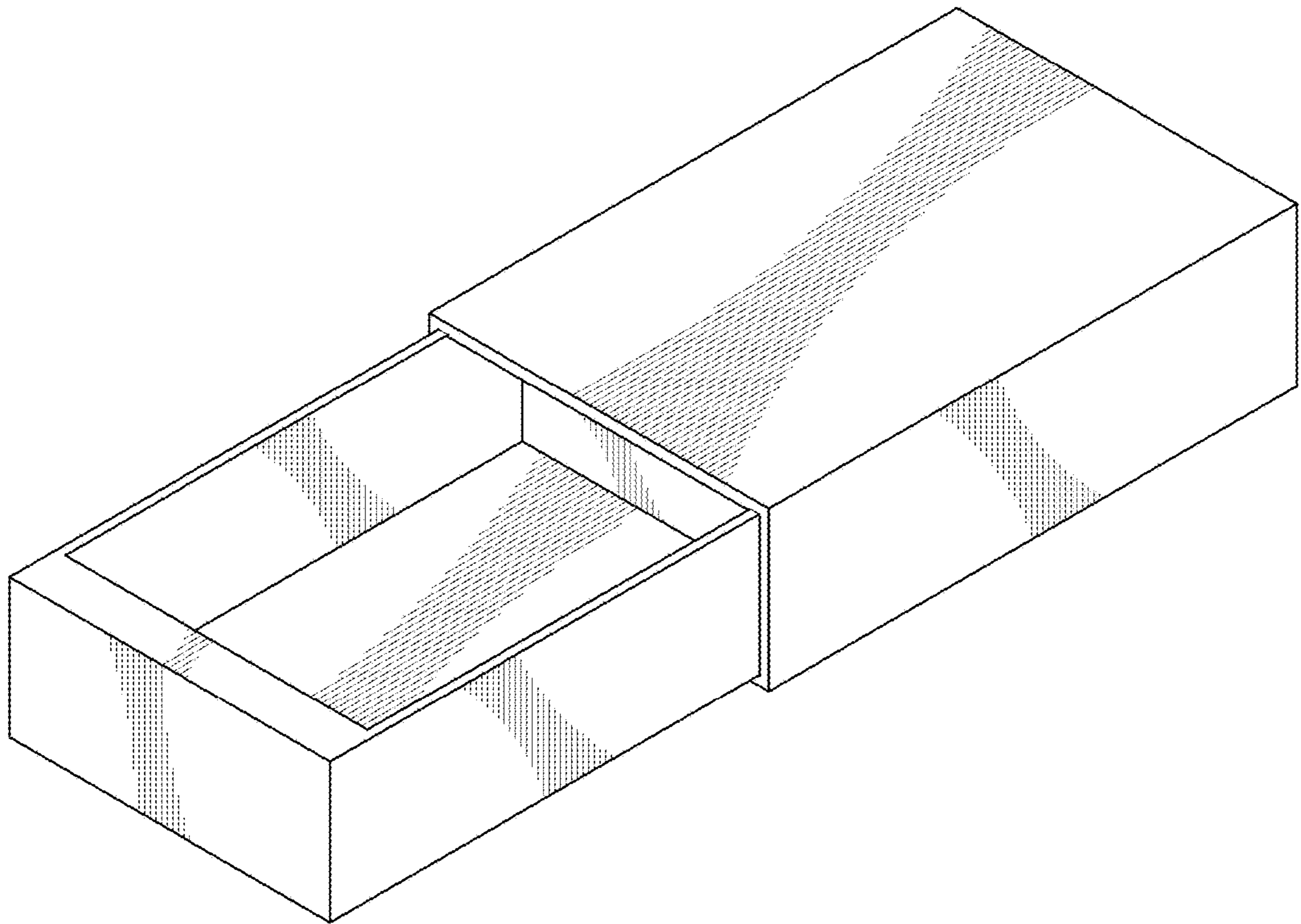


FIG. 65

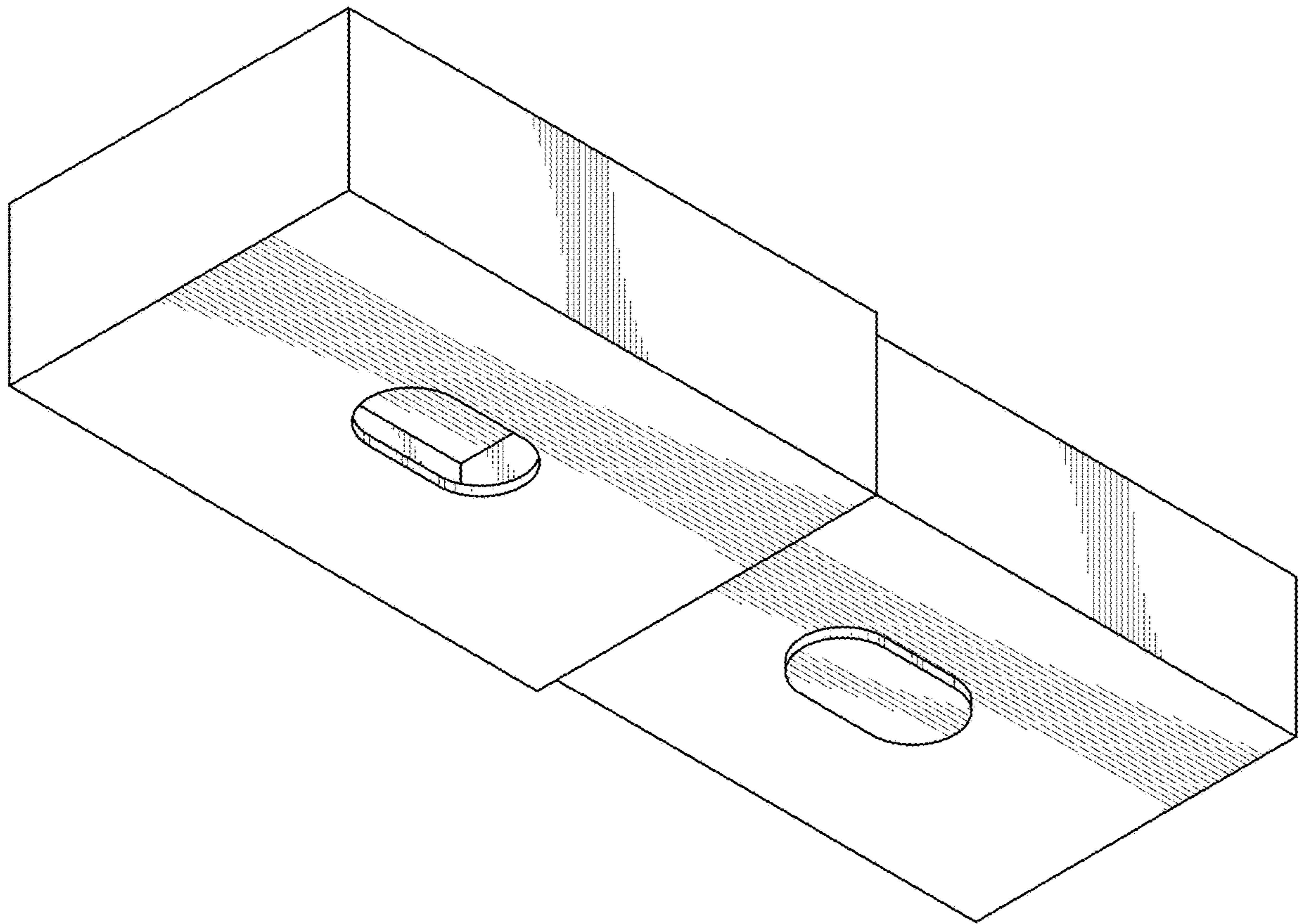


FIG. 66

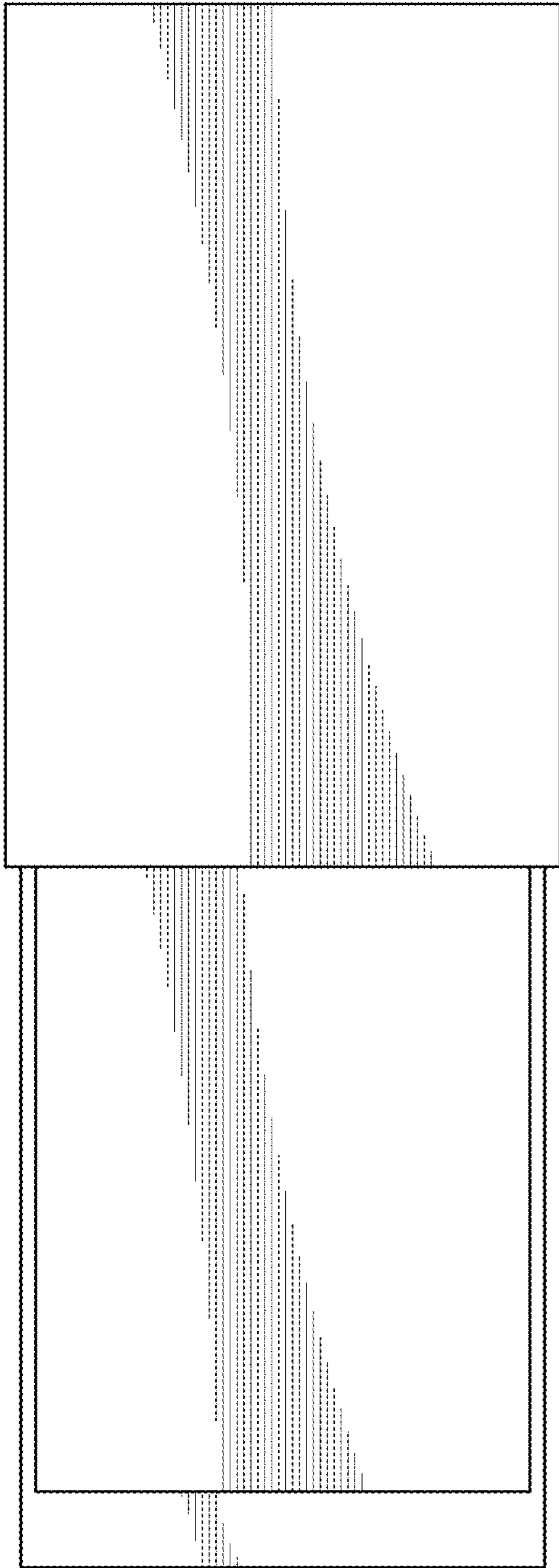


FIG. 71

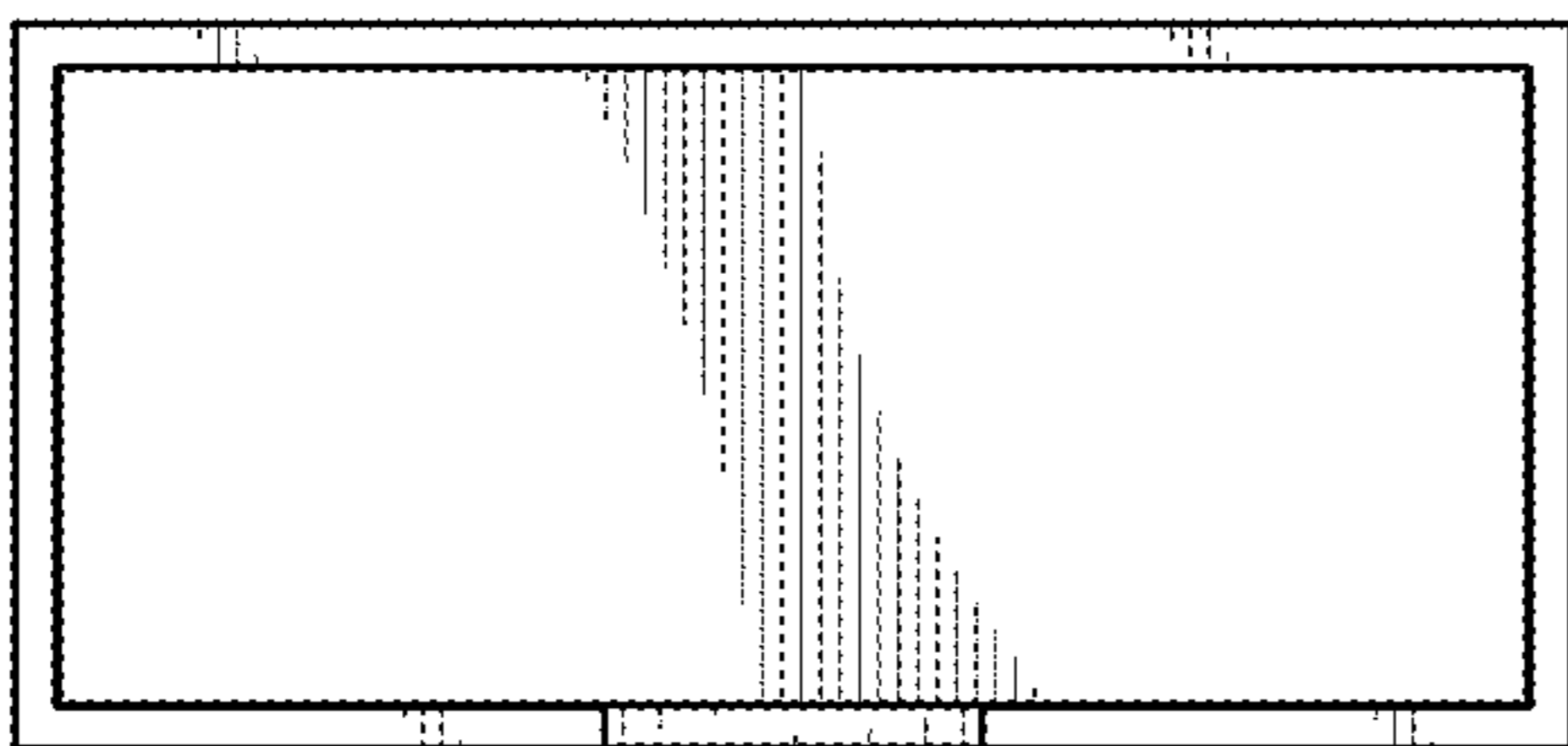


FIG. 67

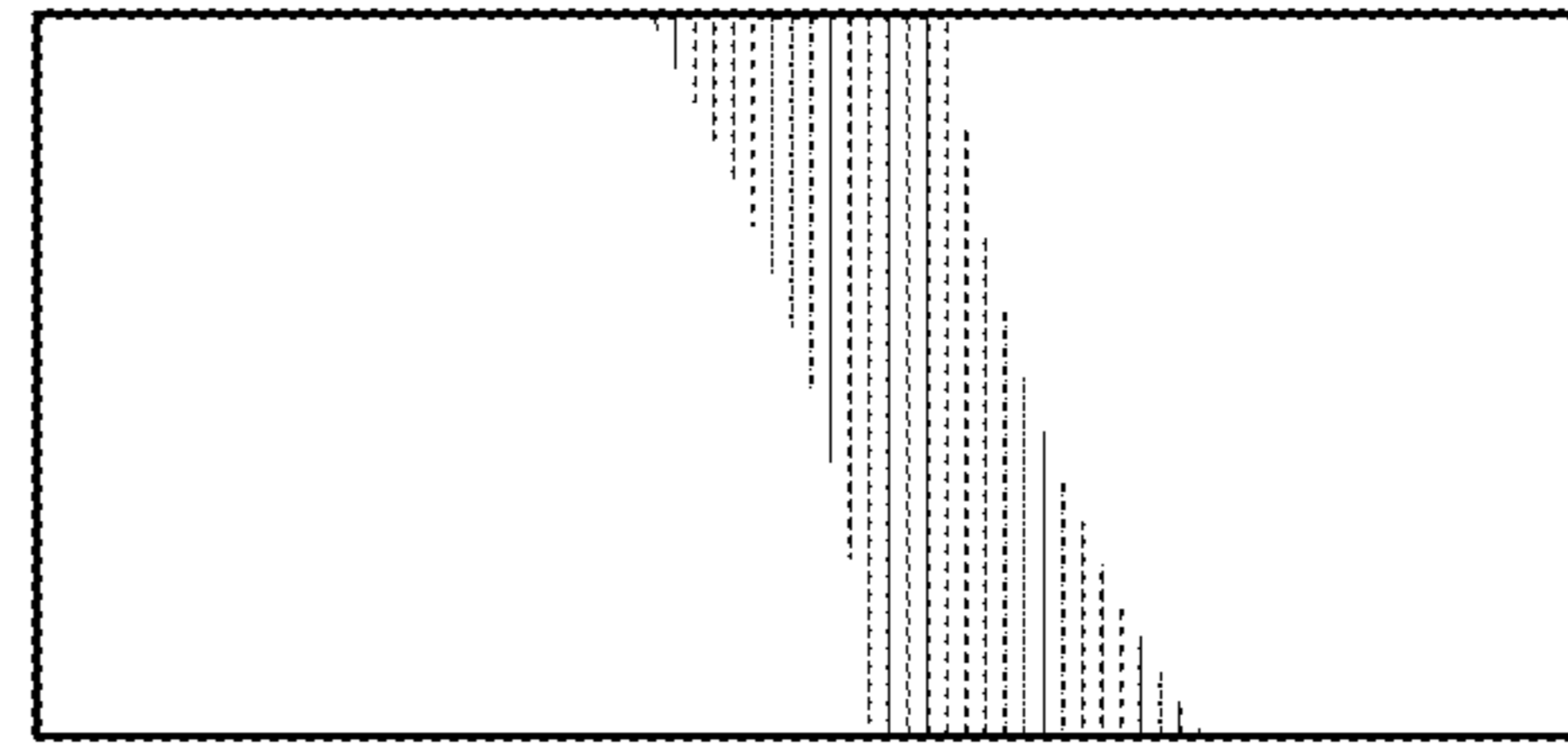


FIG. 69

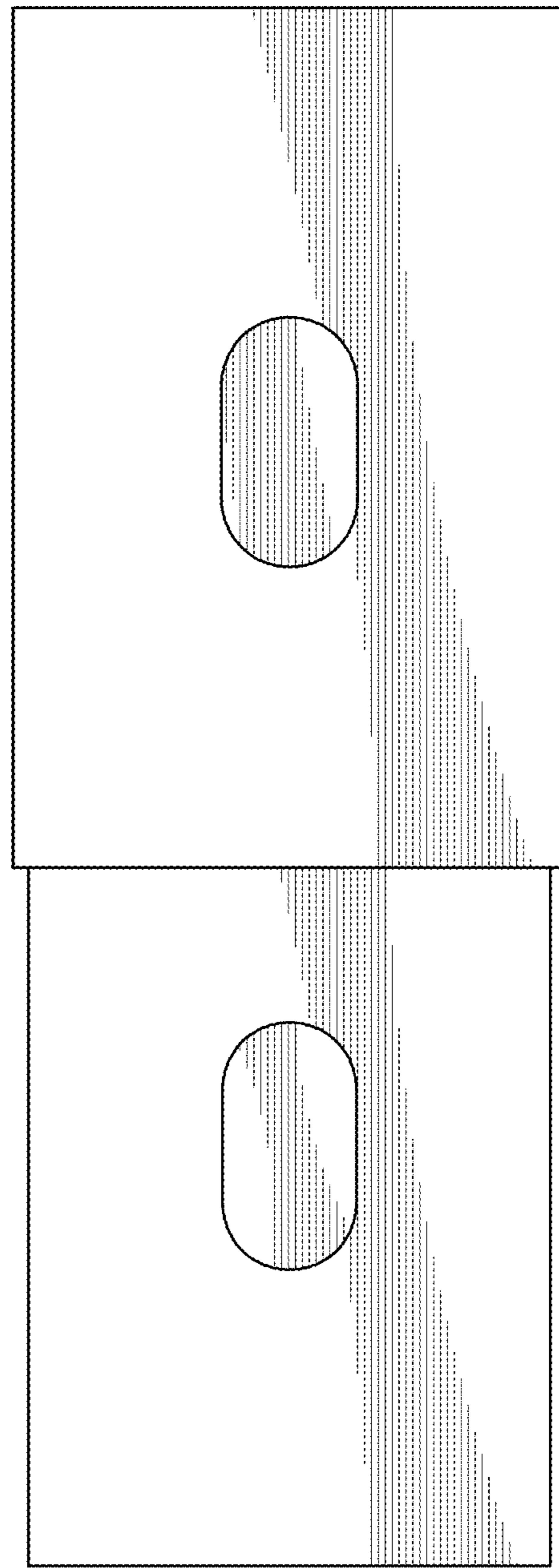


FIG. 72

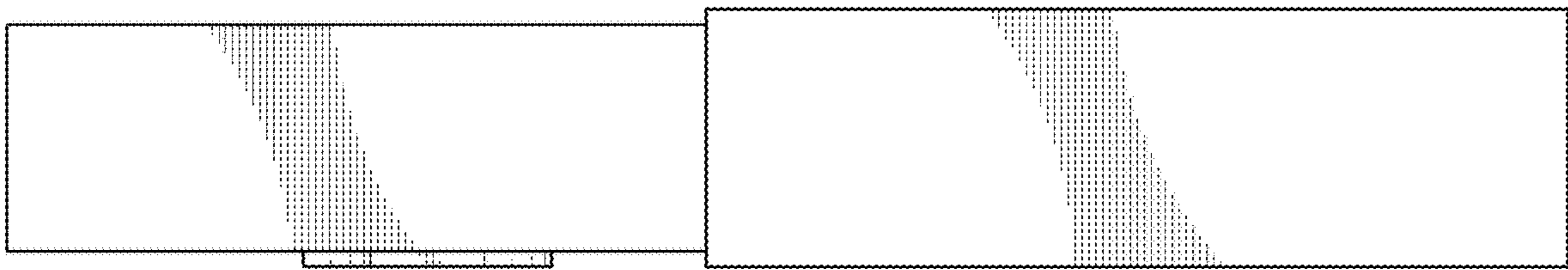


FIG. 68

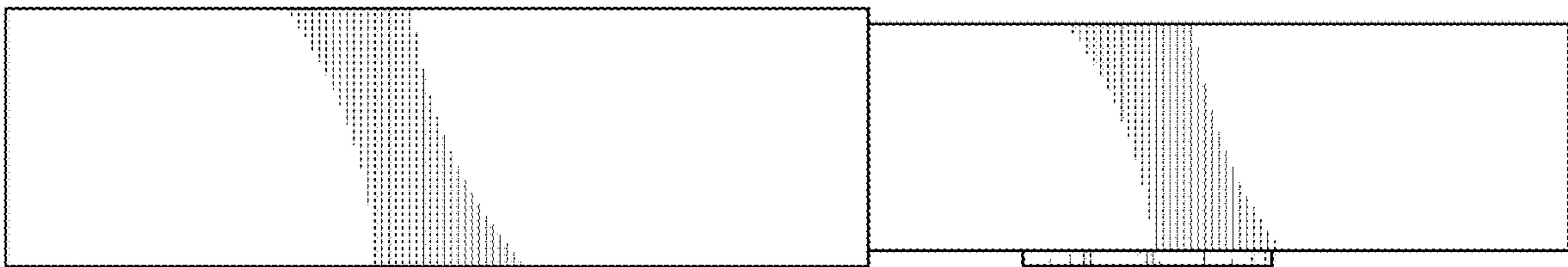


FIG. 70

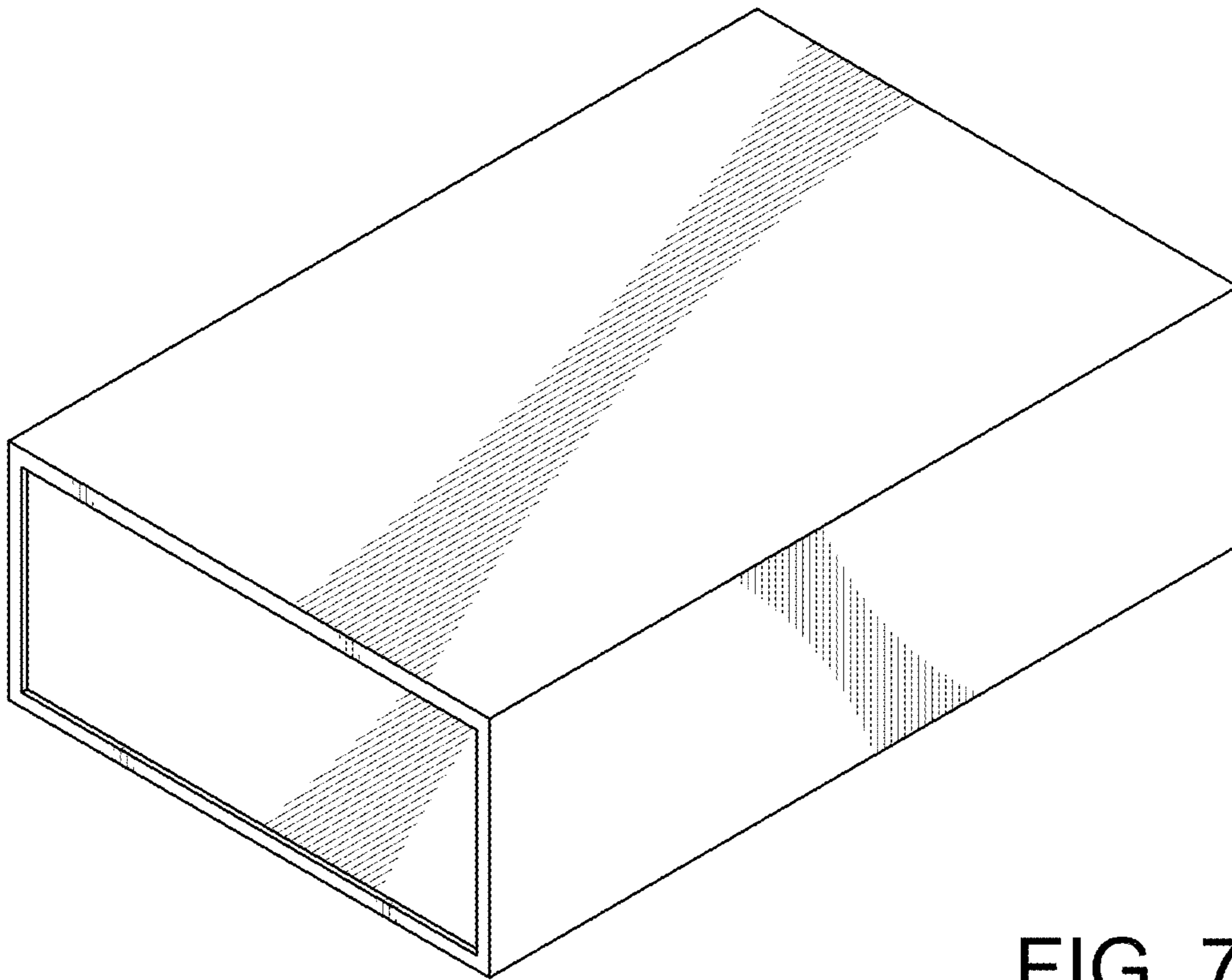


FIG. 73

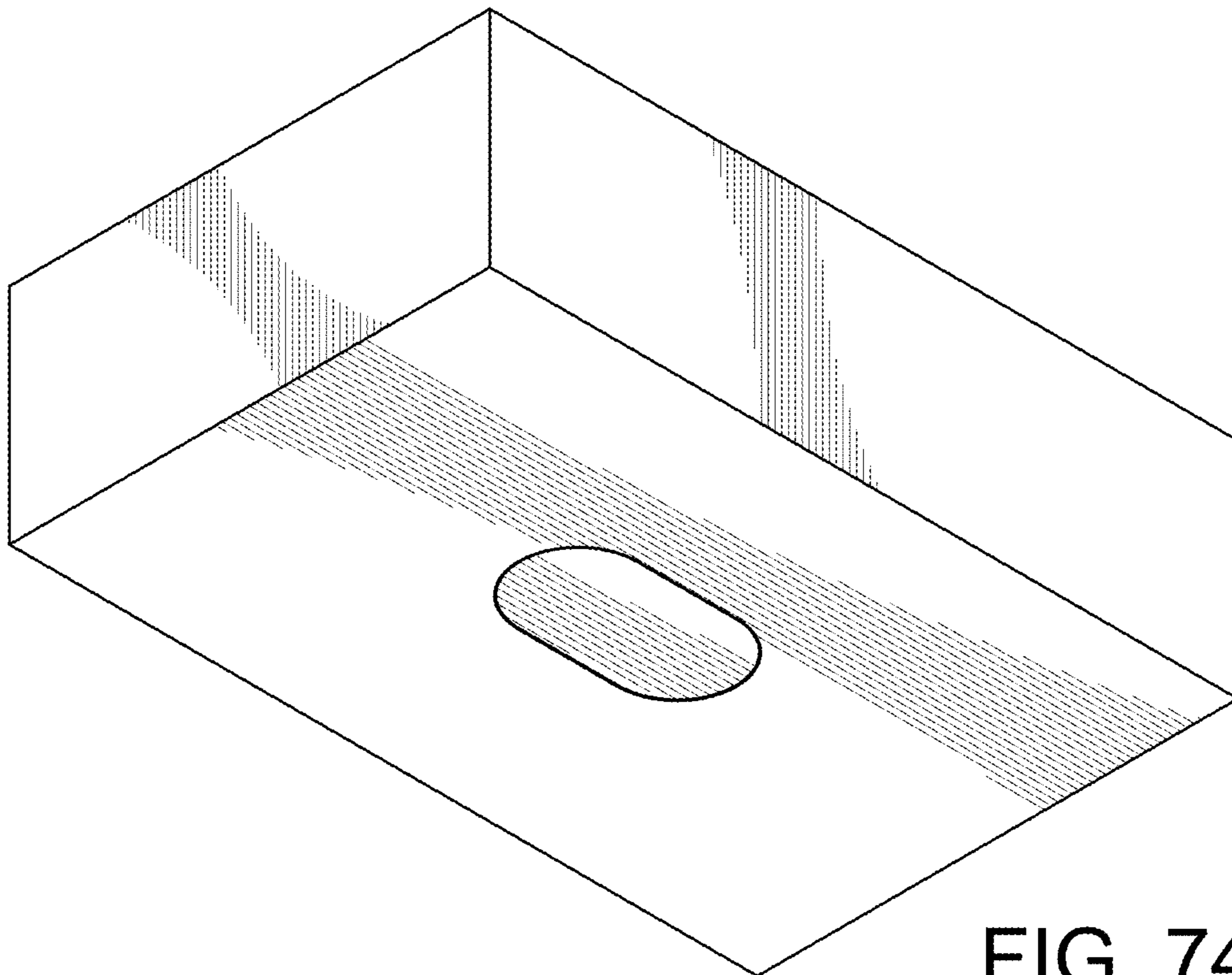


FIG. 74

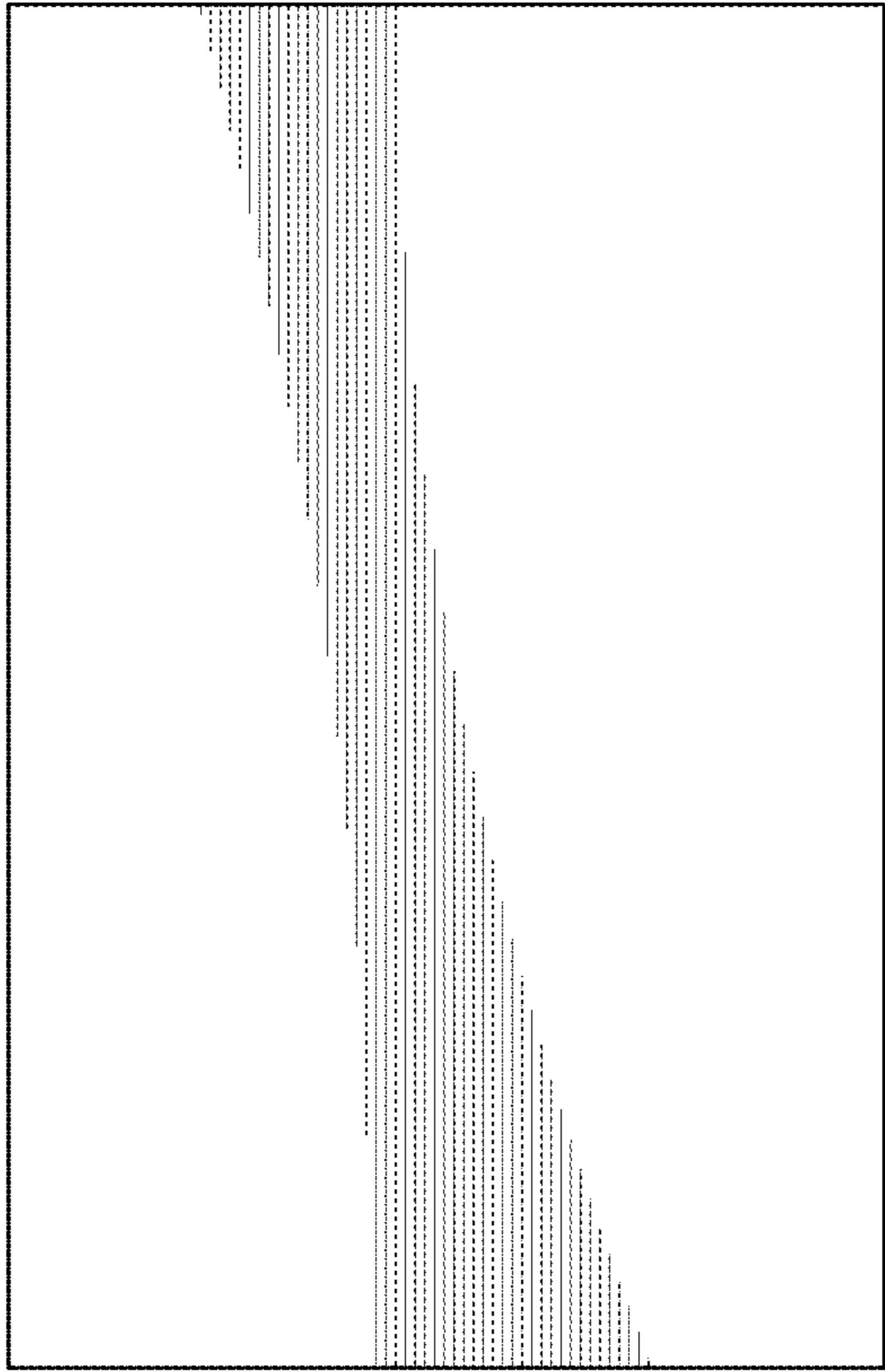


FIG. 79

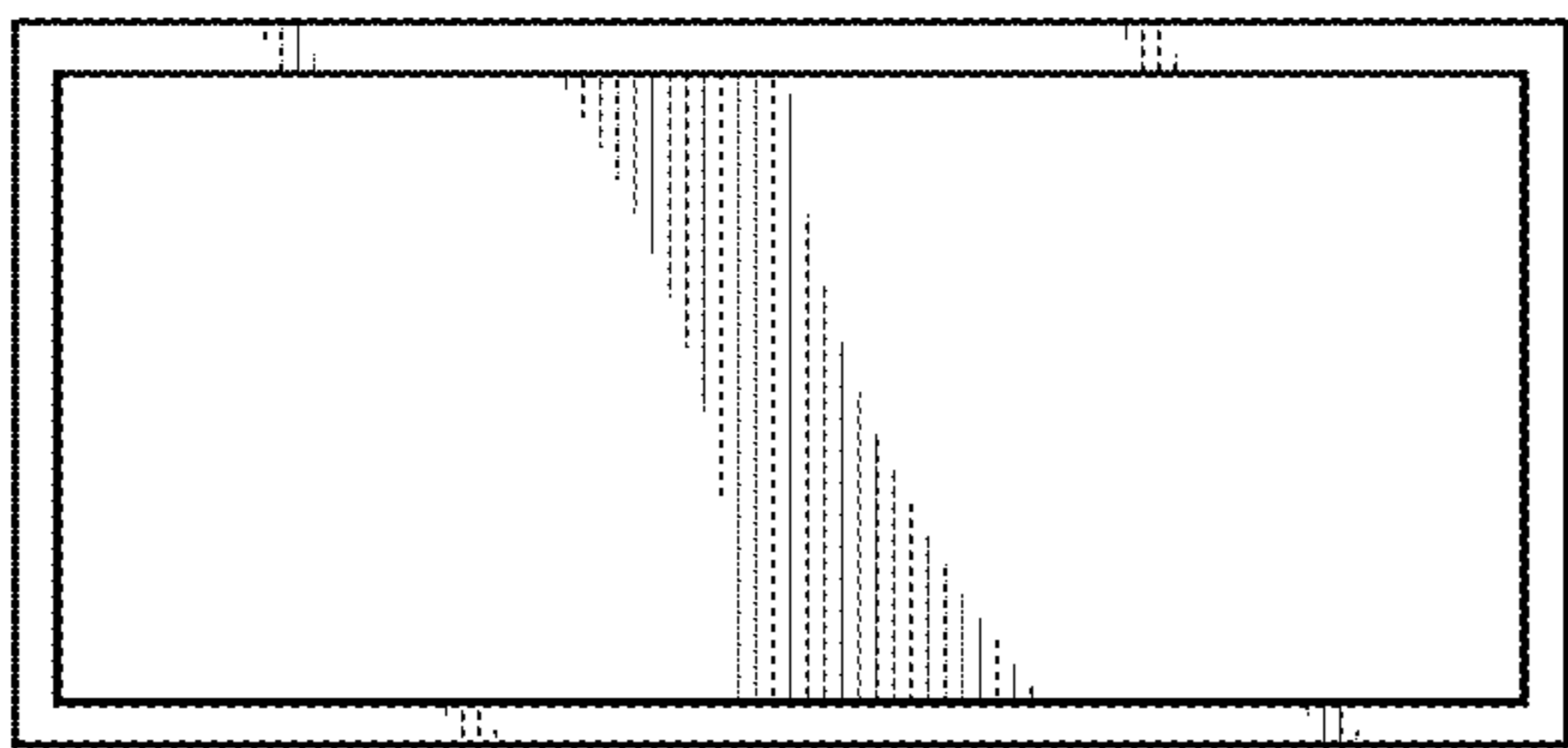


FIG. 75

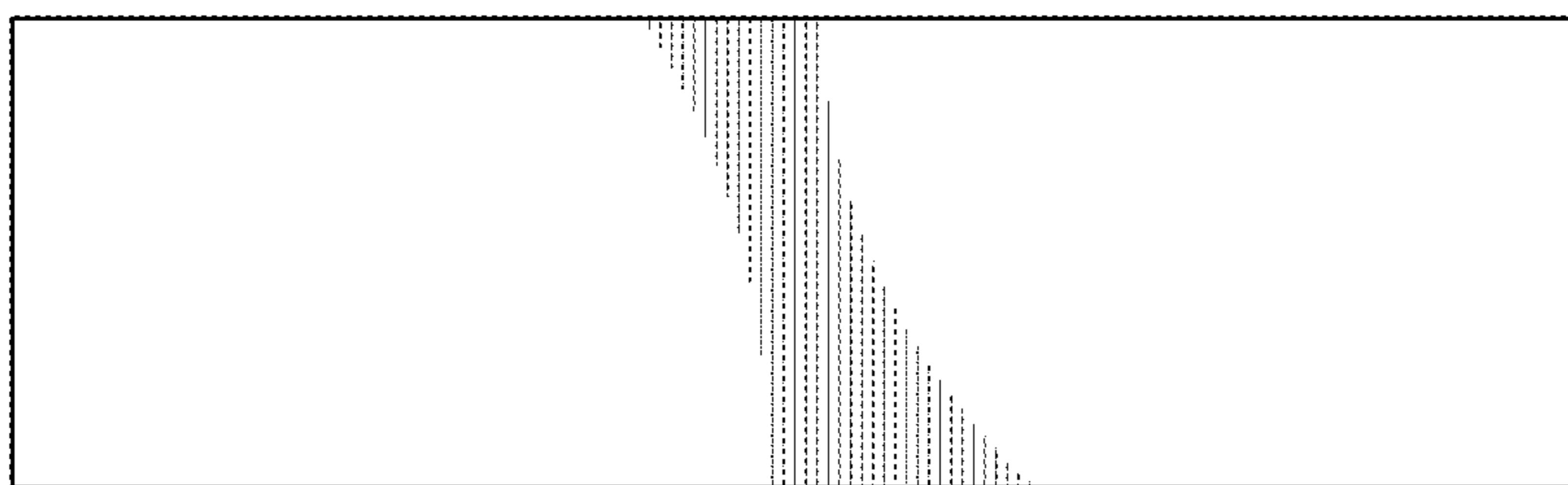


FIG. 76

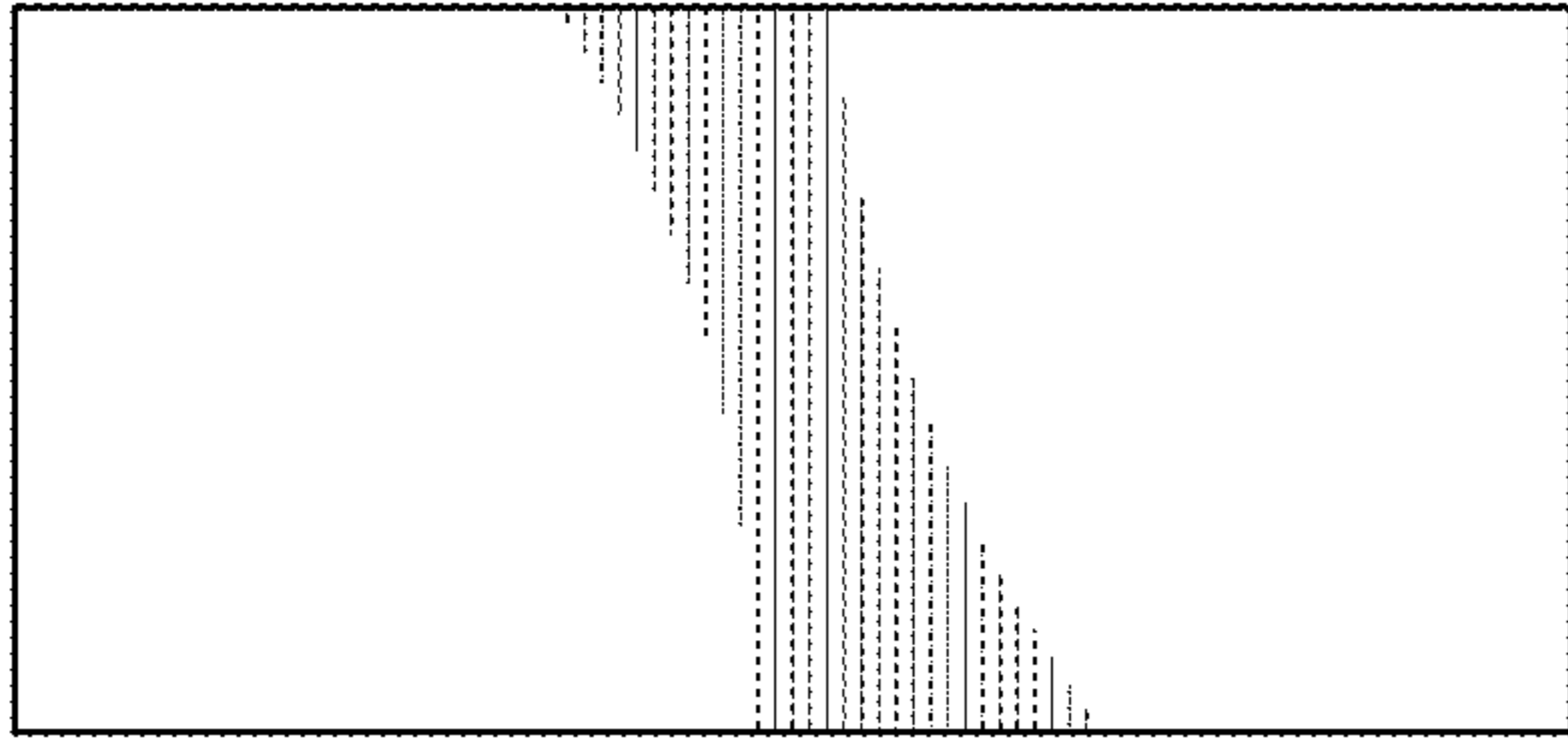


FIG. 77

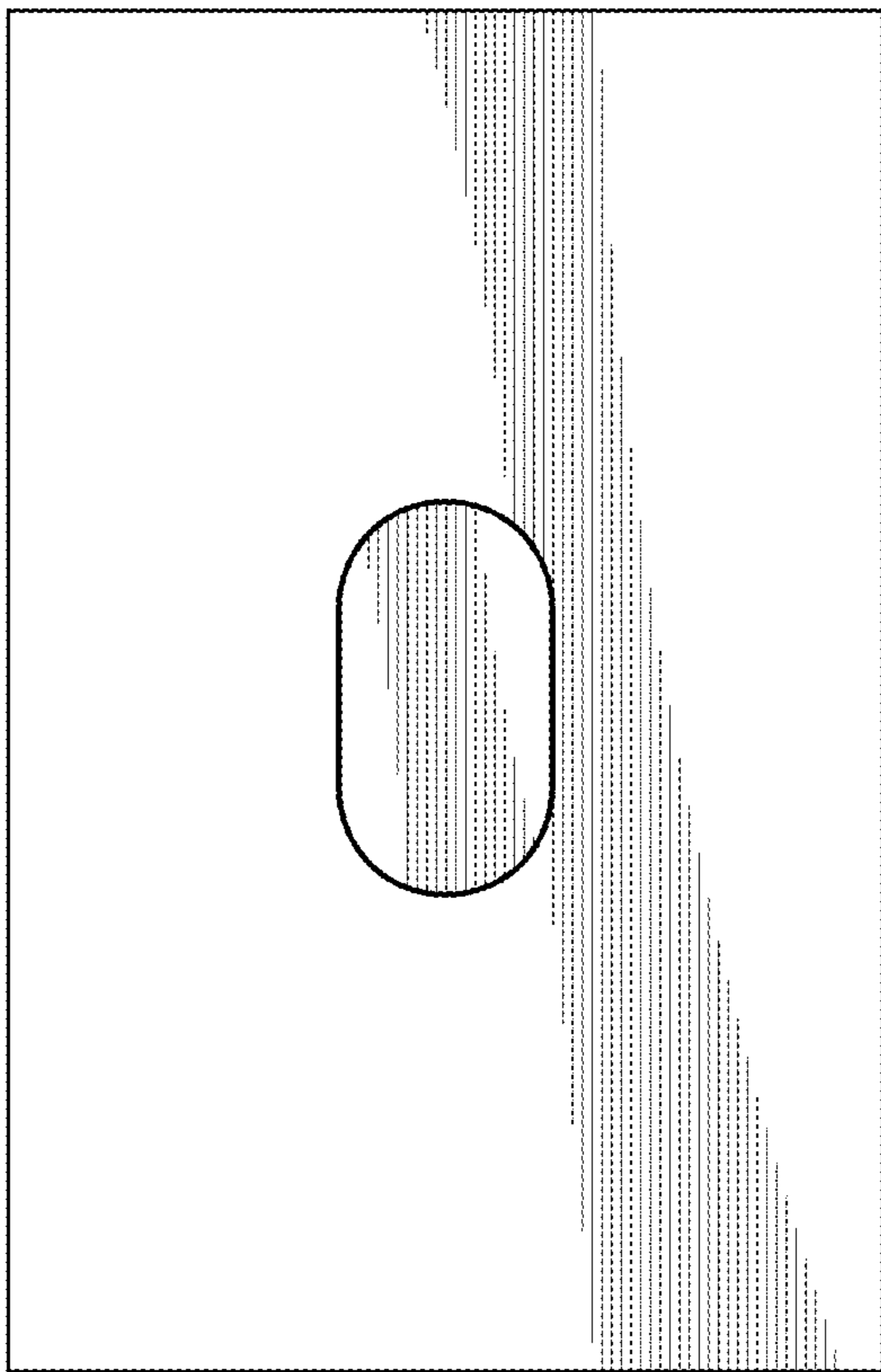


FIG. 80

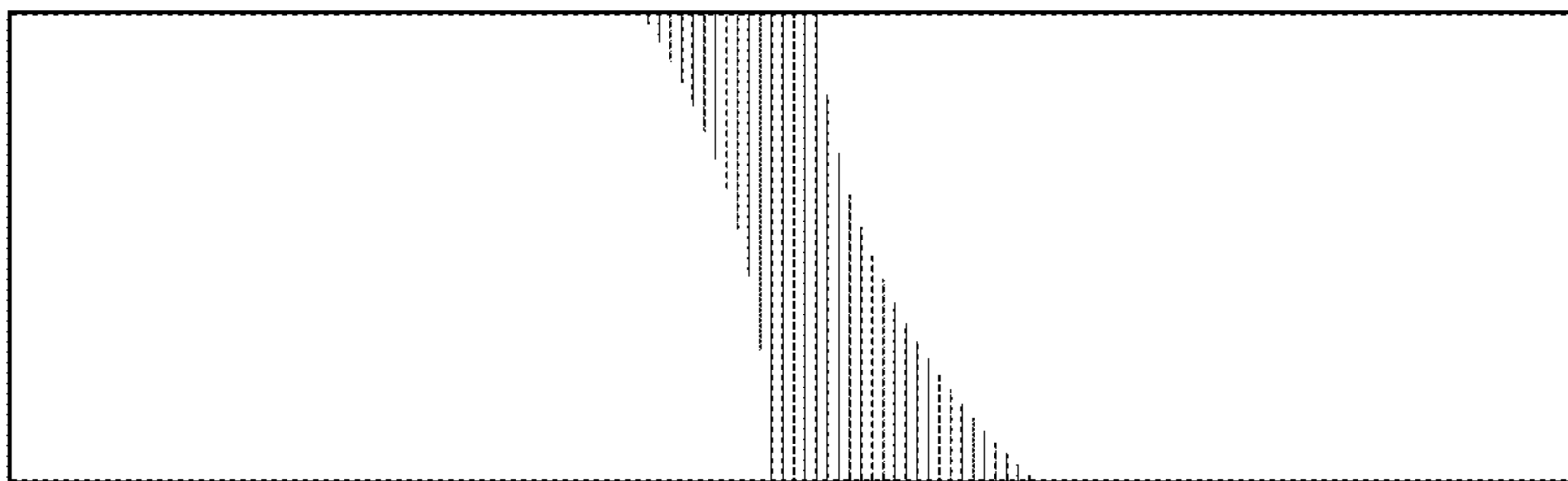


FIG. 78

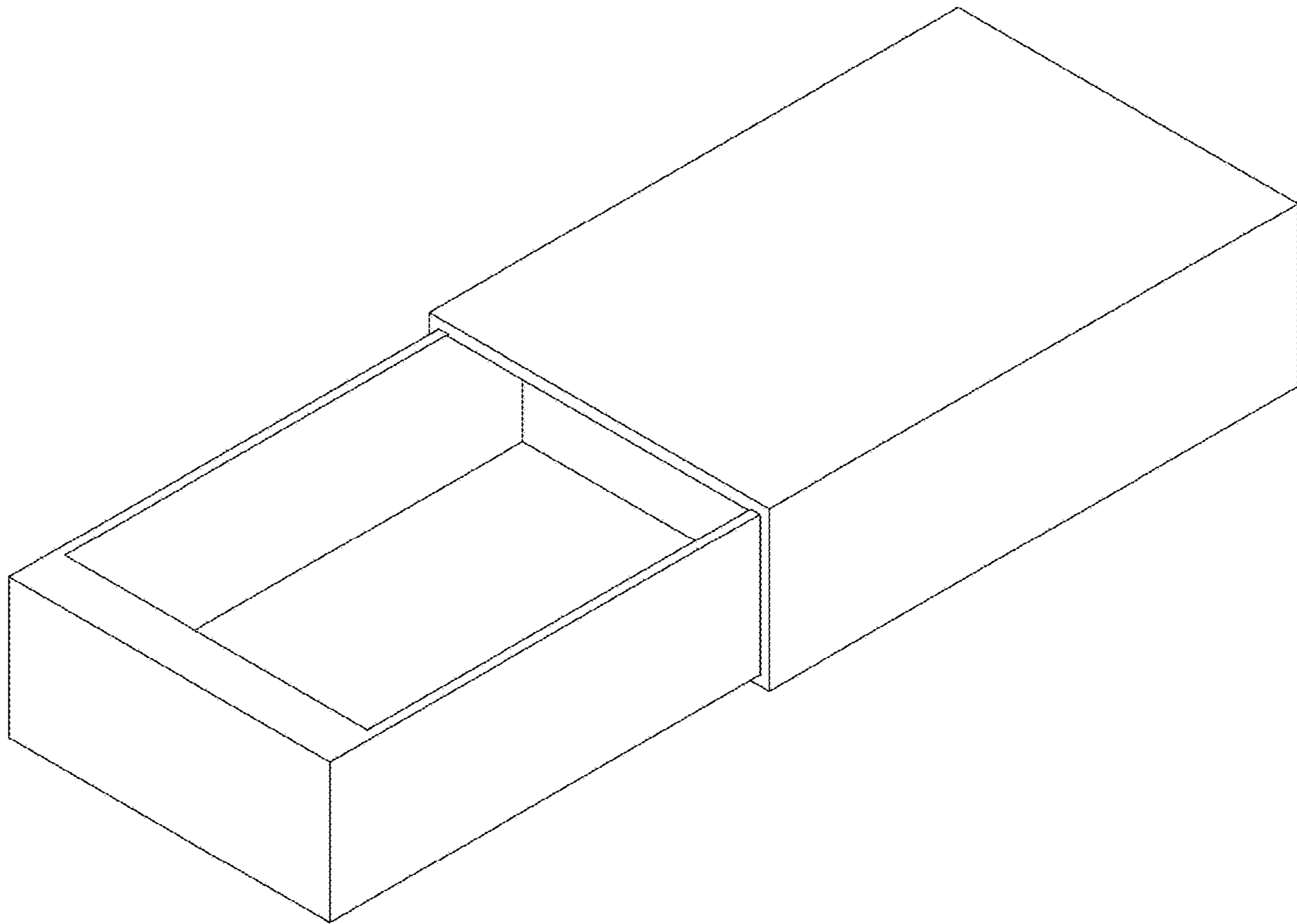


FIG. 81

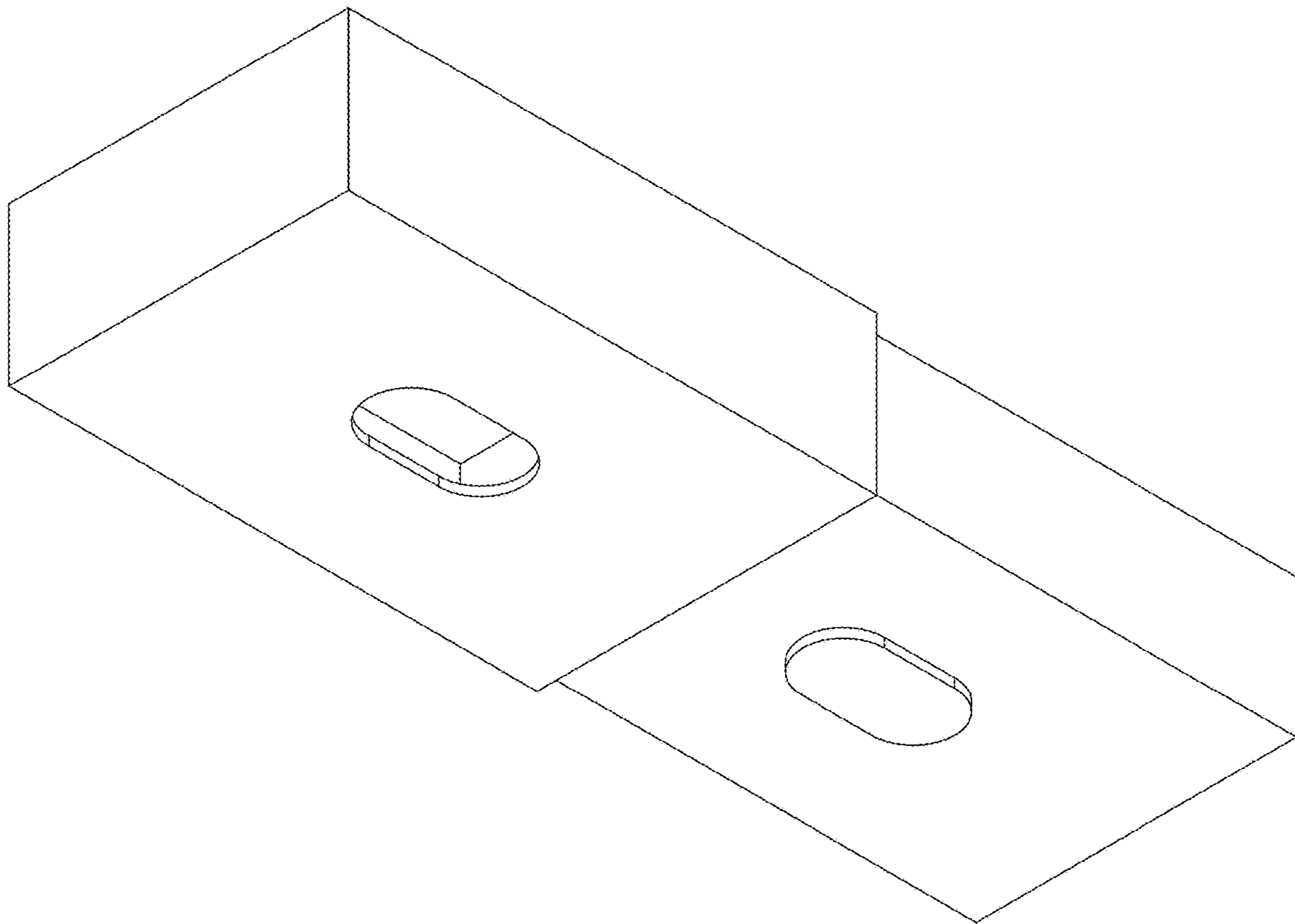


FIG. 82

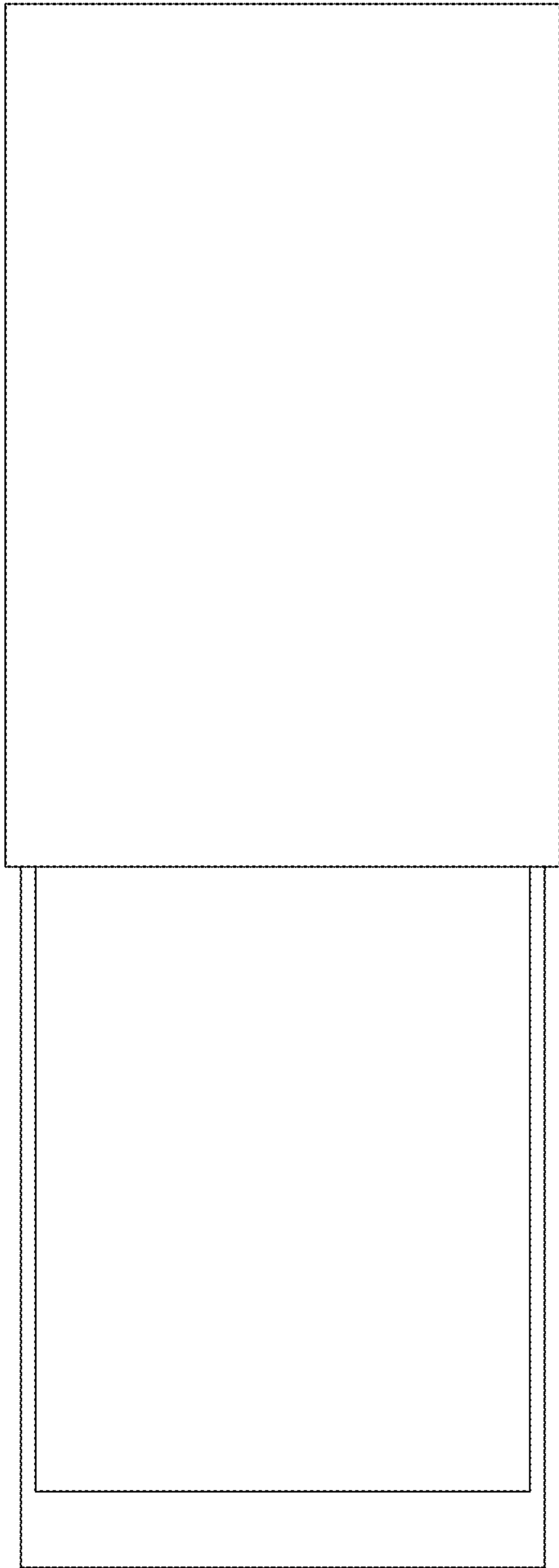


FIG. 87

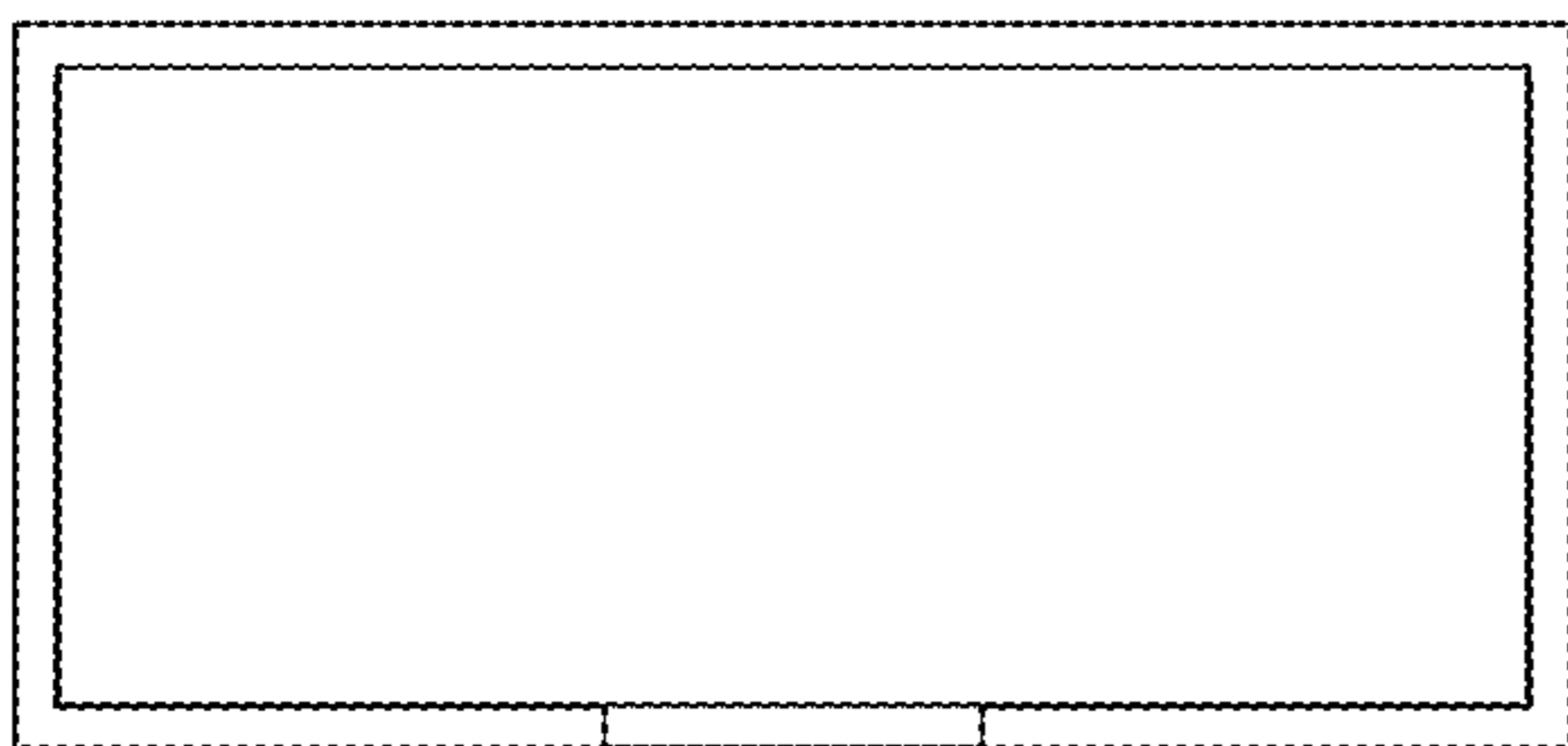


FIG. 83

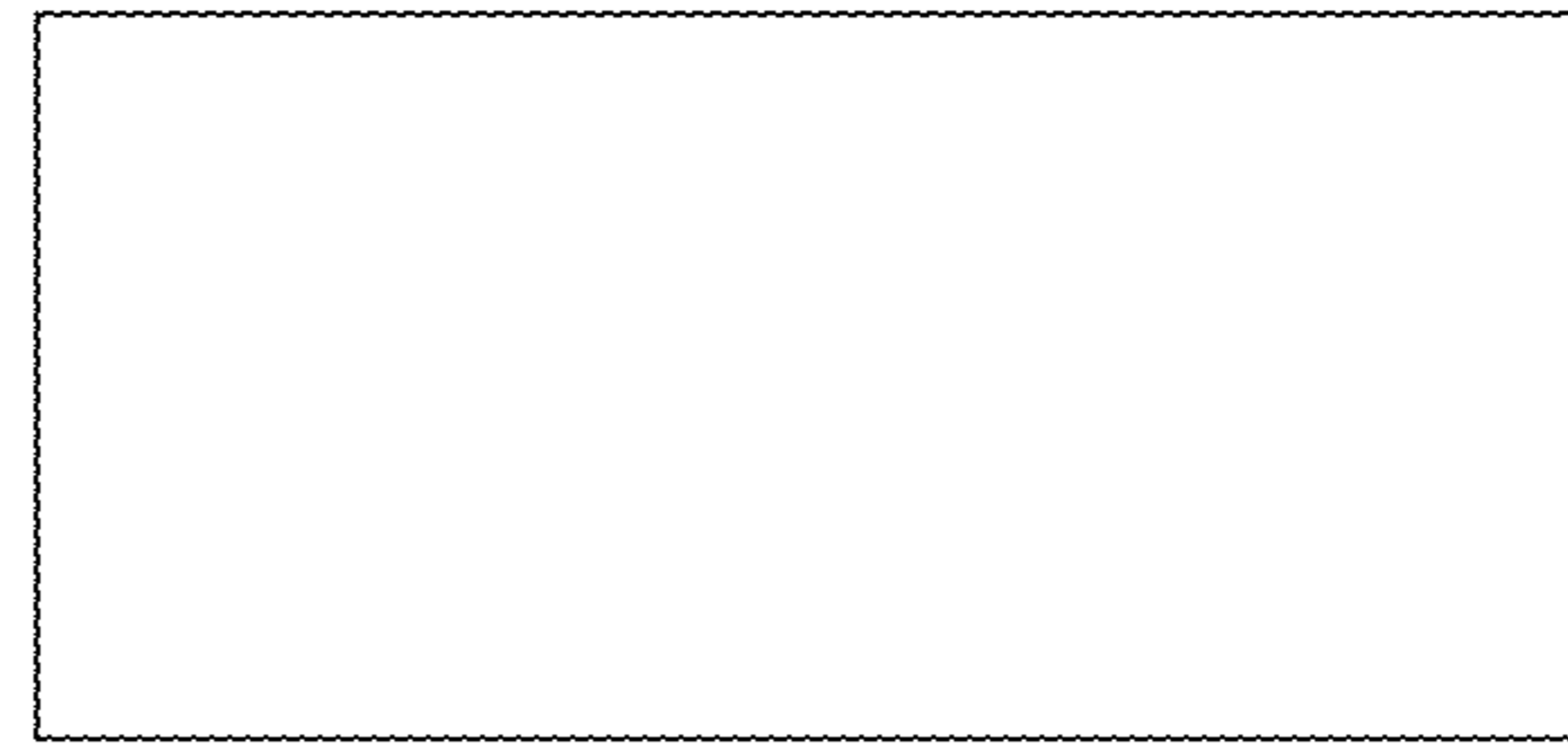


FIG. 85

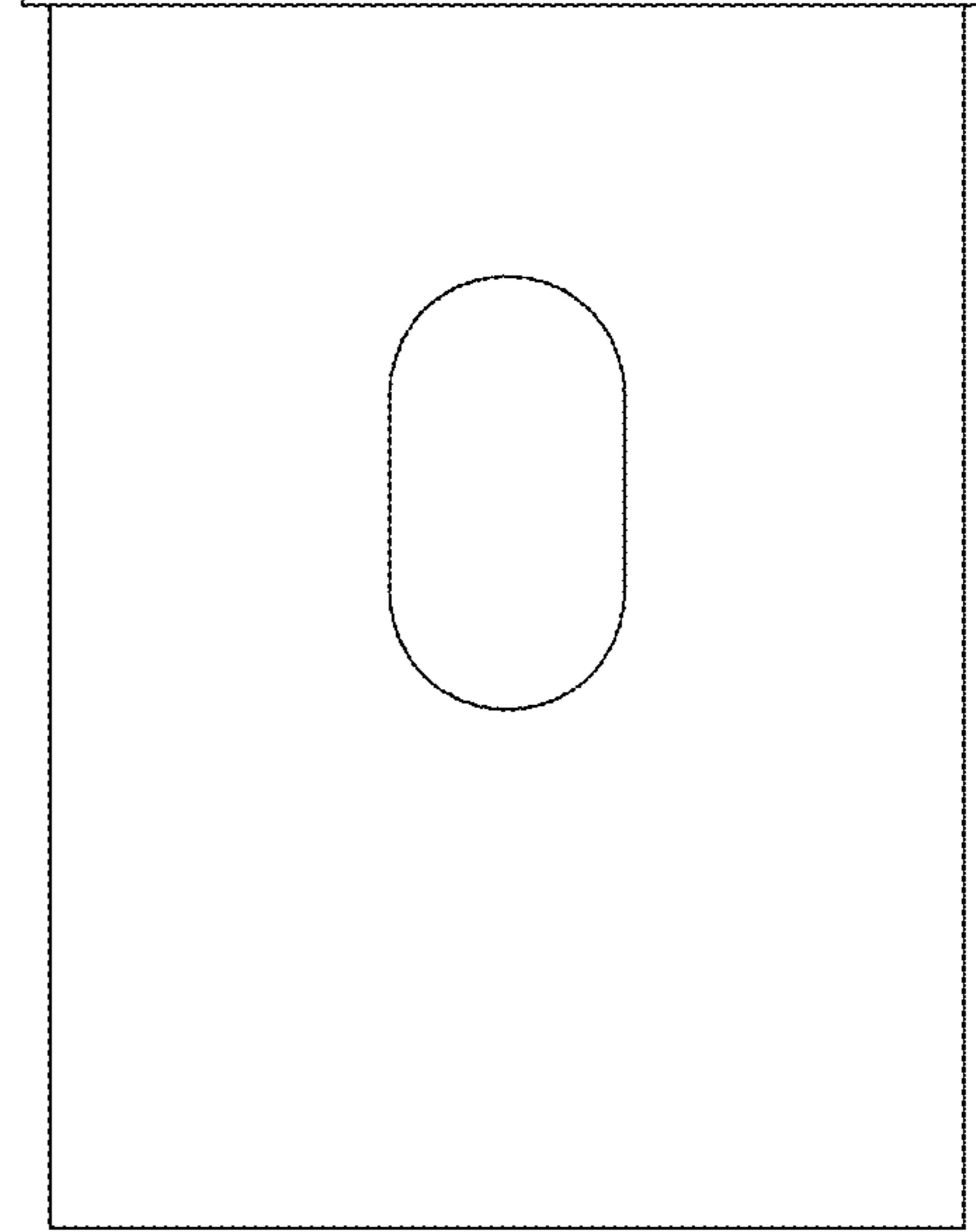
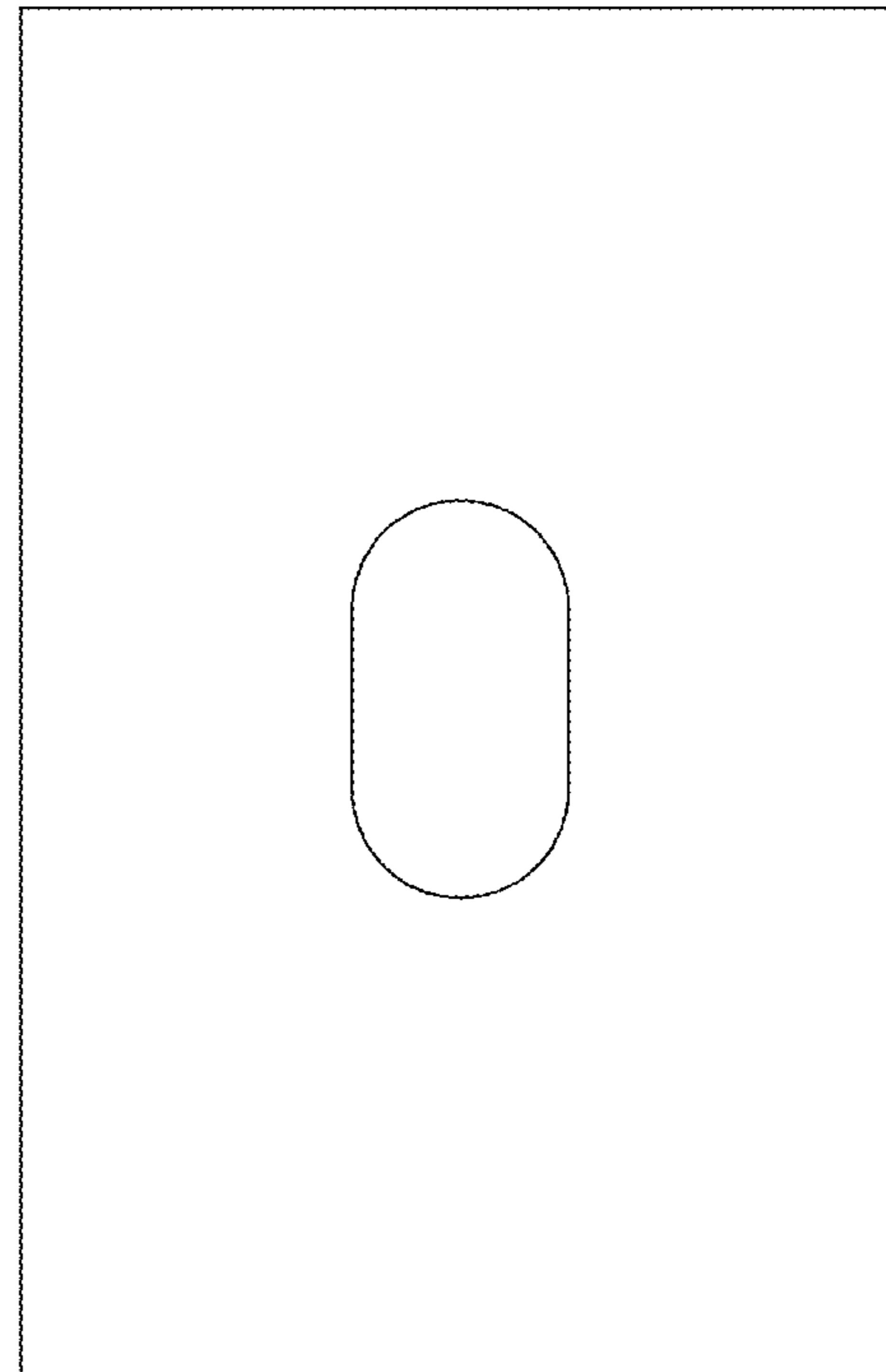


FIG. 88

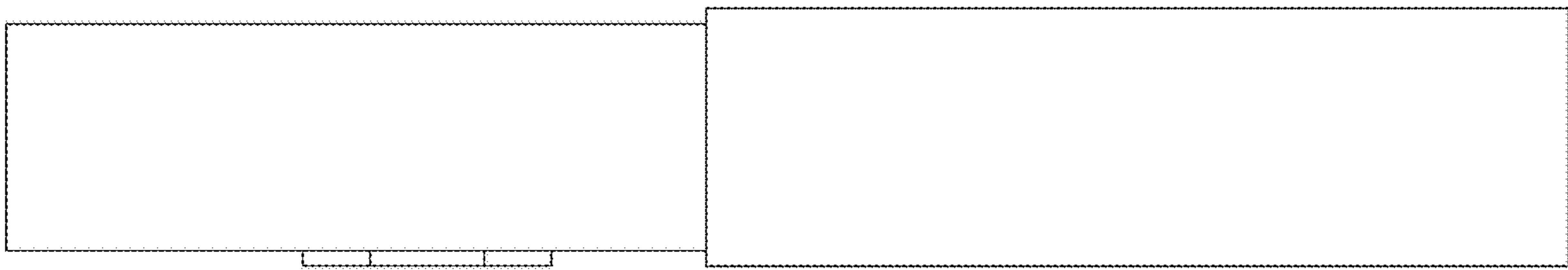


FIG. 84

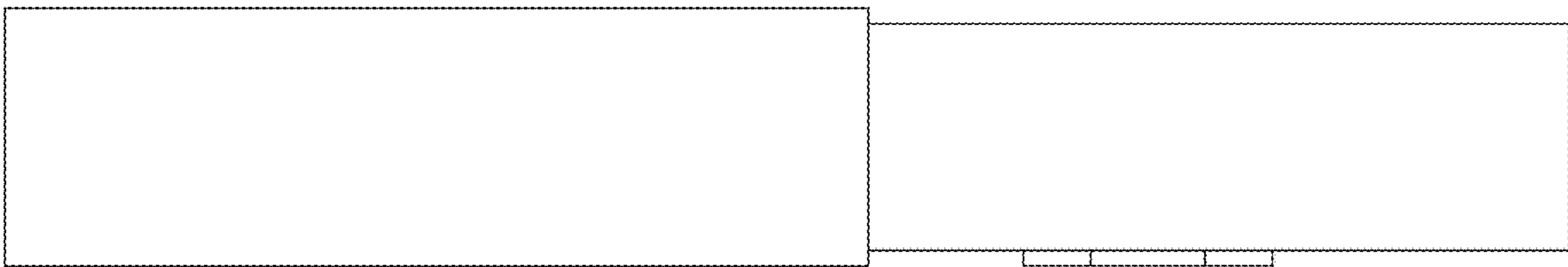


FIG. 86

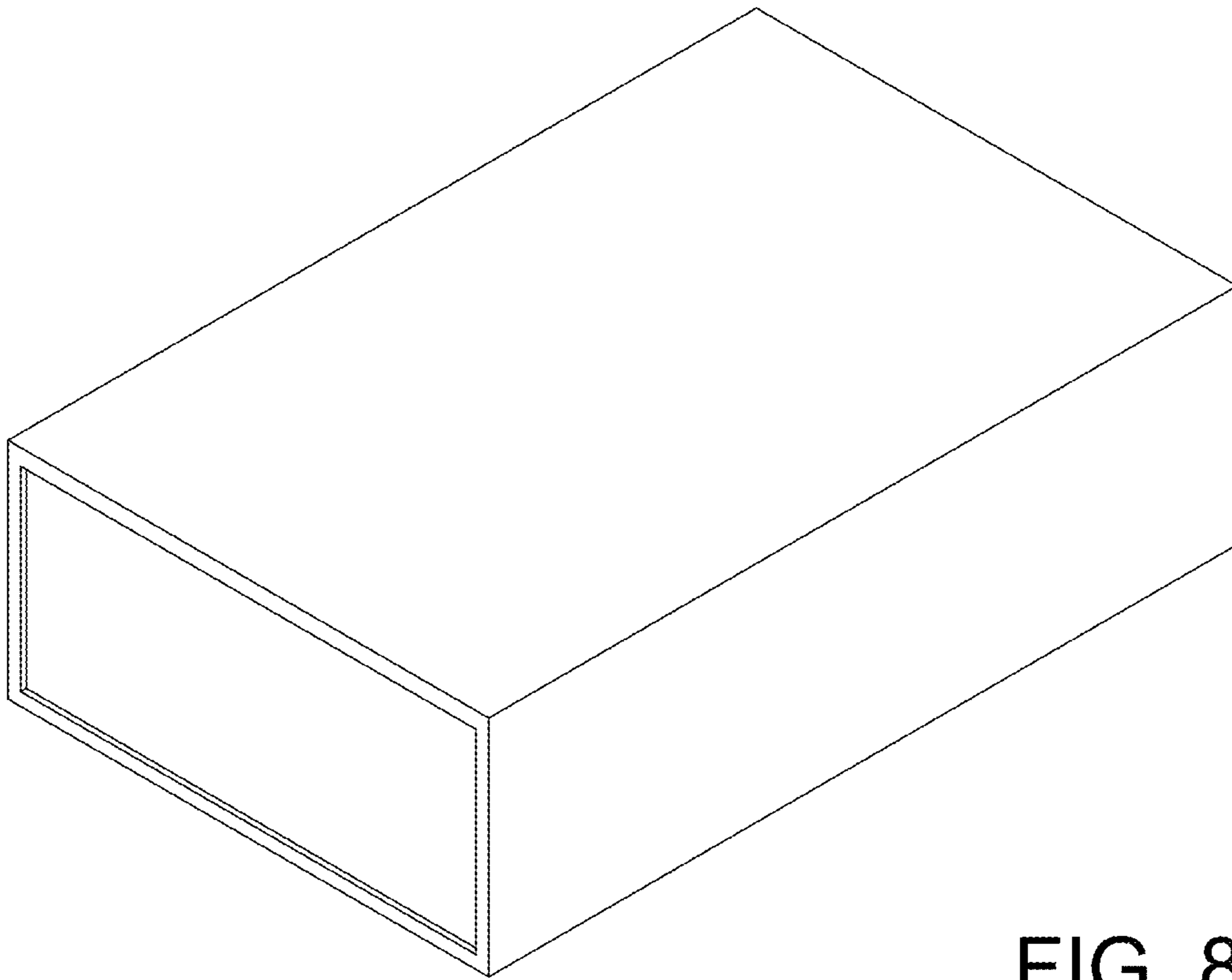


FIG. 89

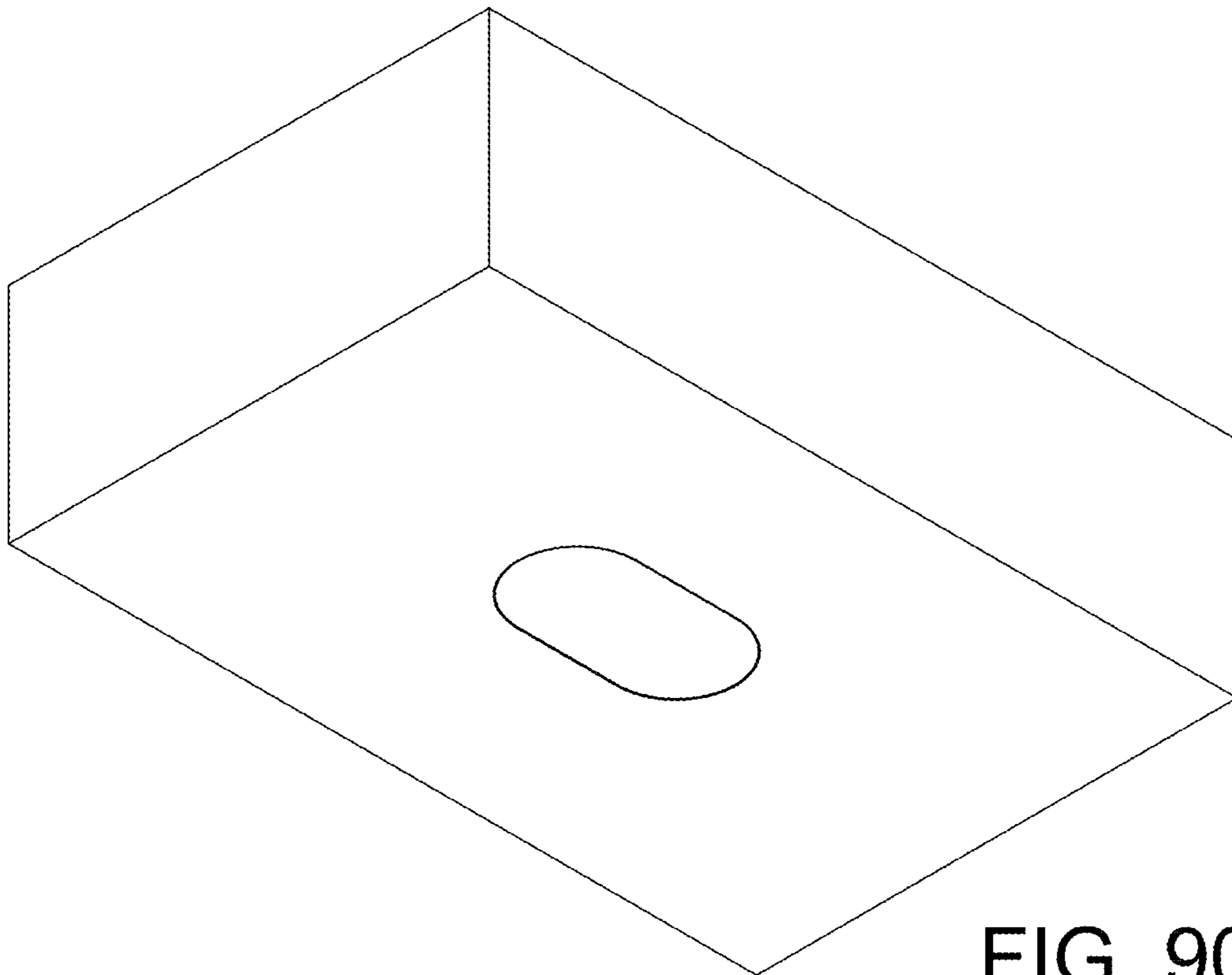


FIG. 90

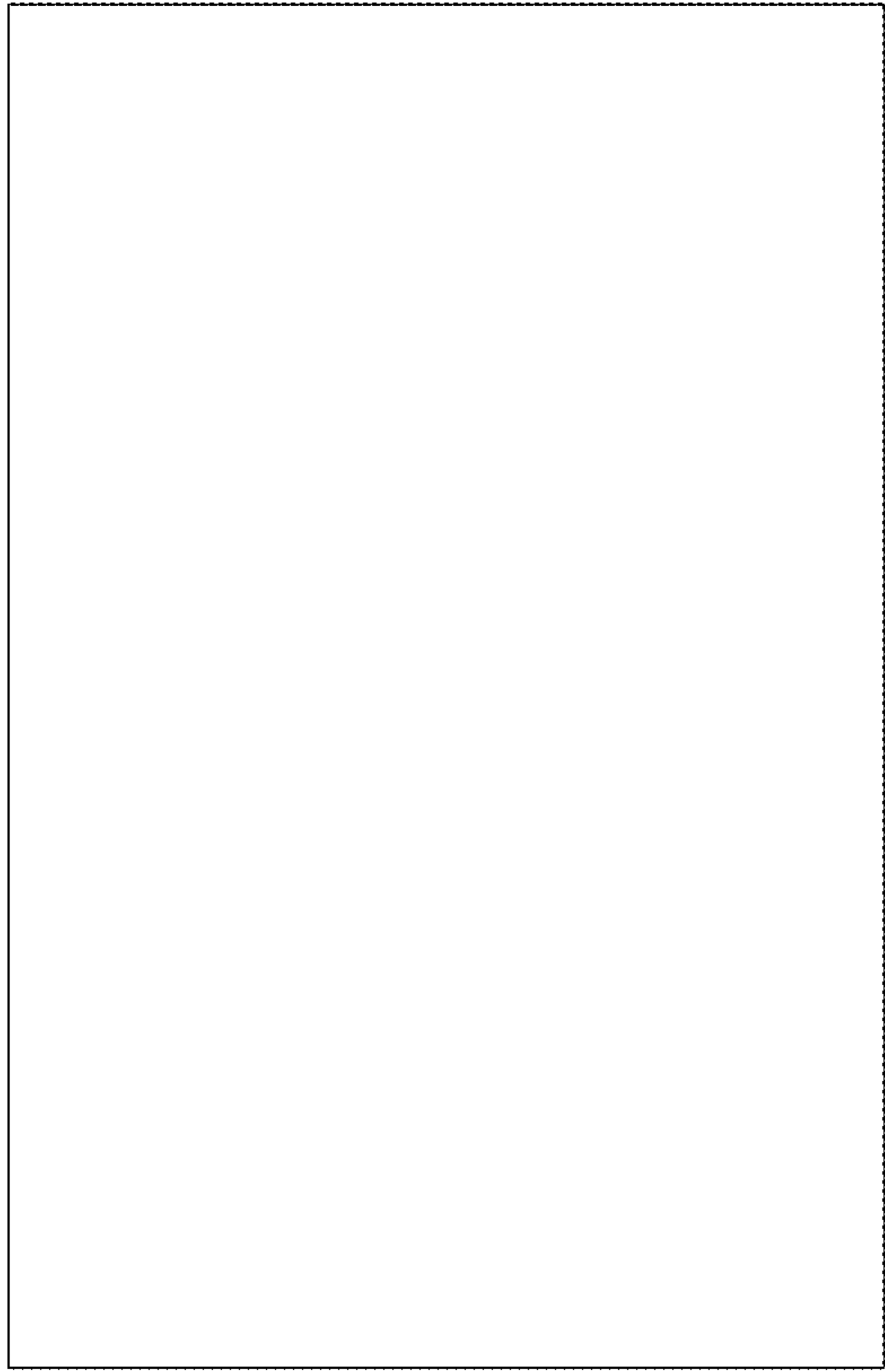


FIG. 95

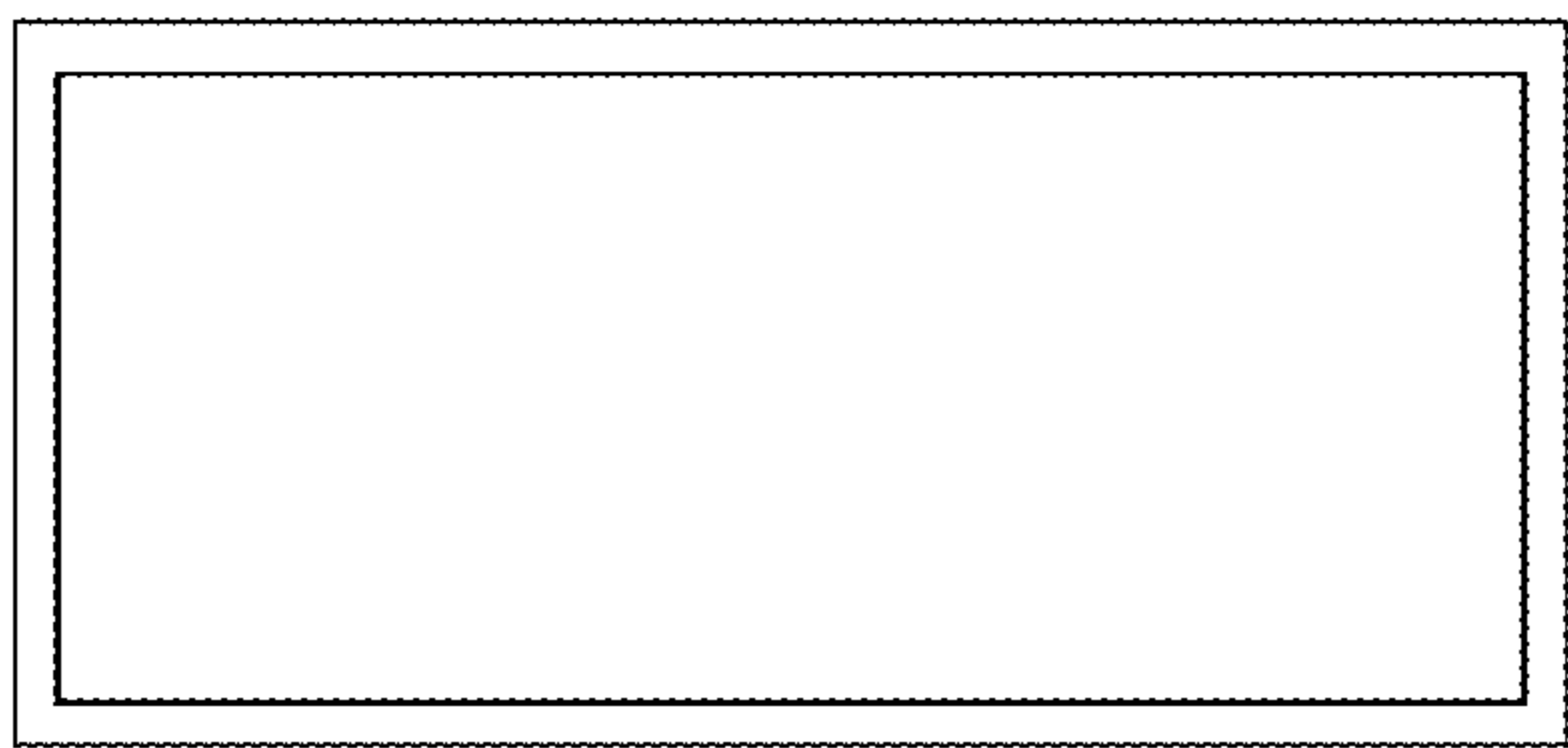


FIG. 91



FIG. 92

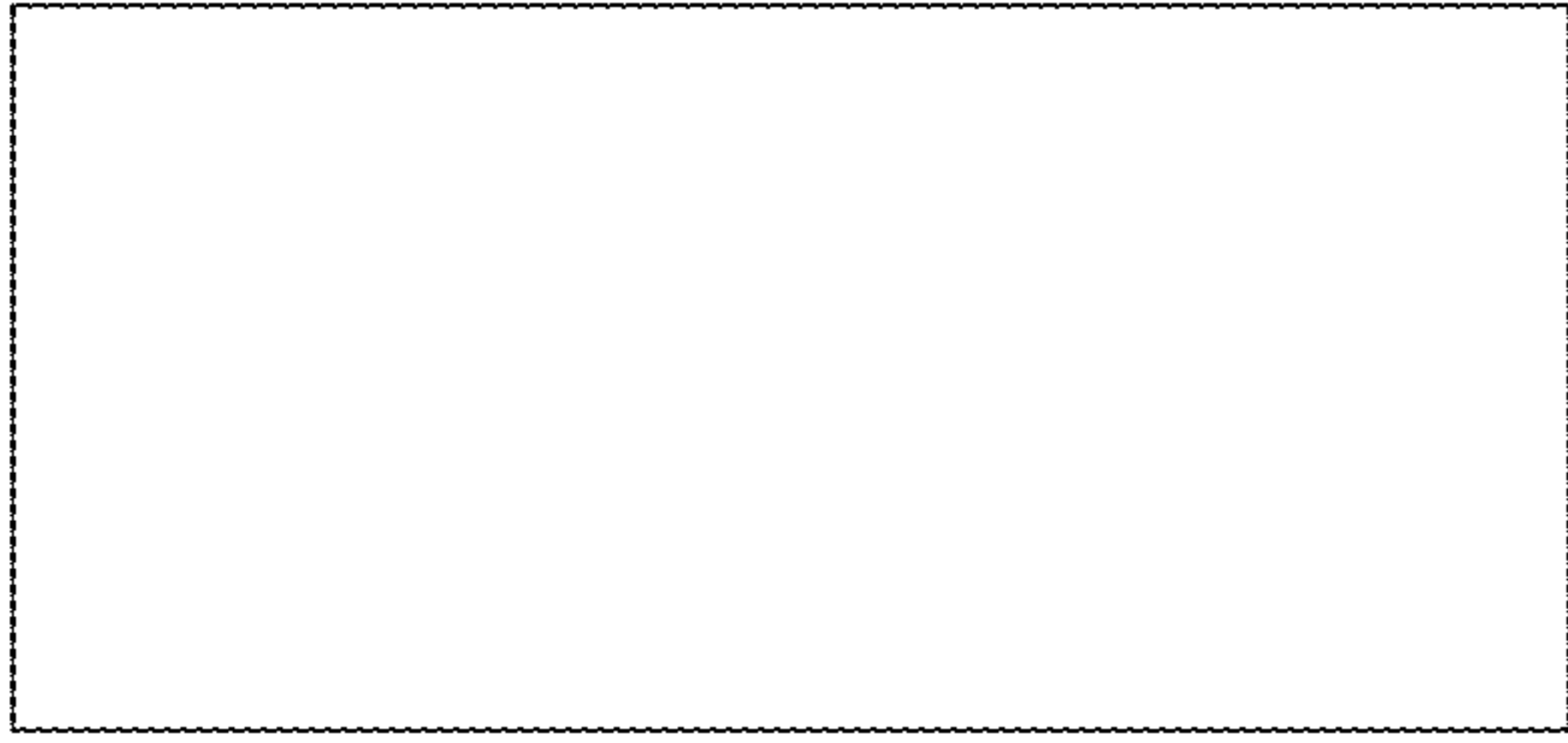


FIG. 93

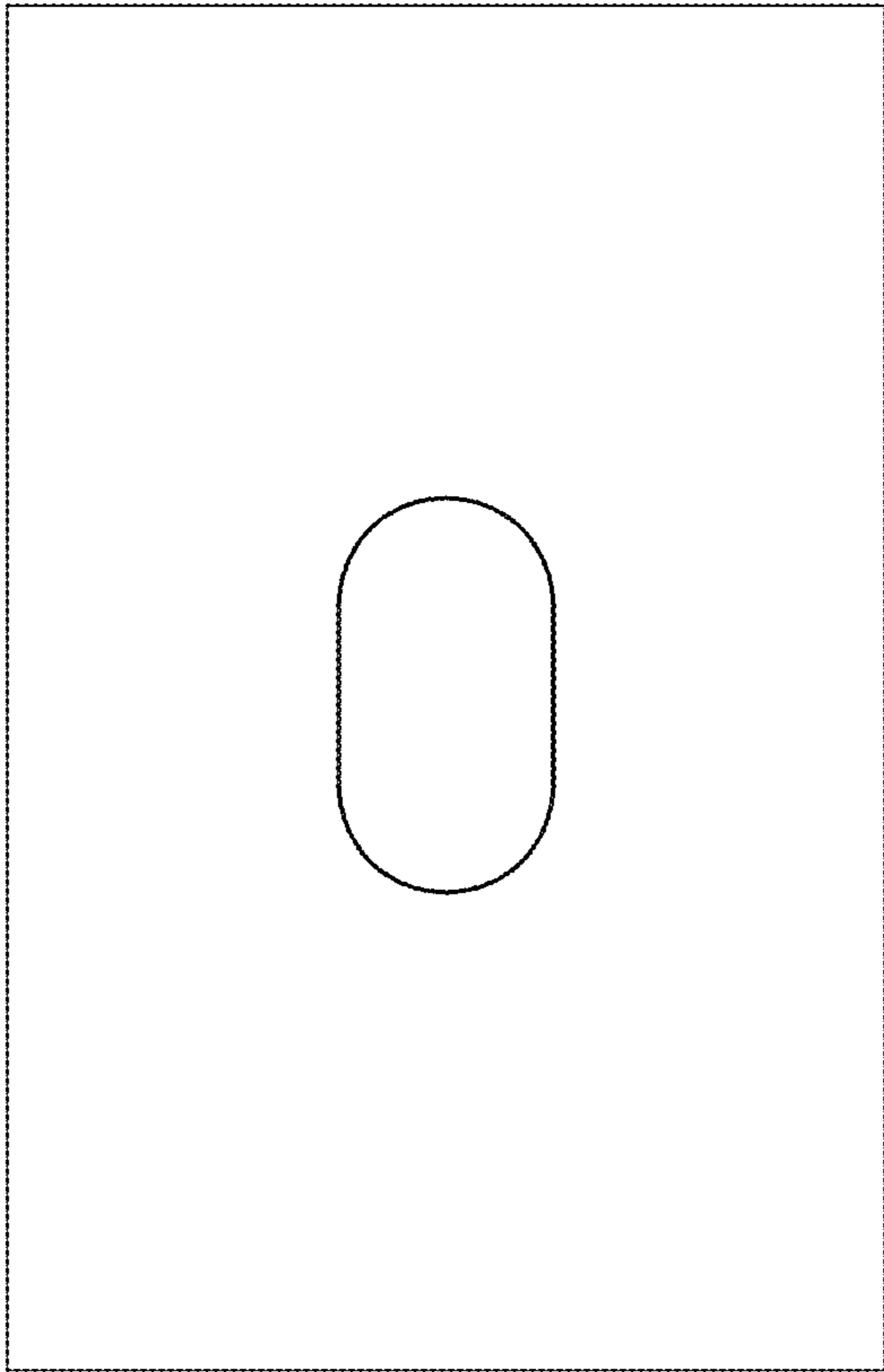


FIG. 96

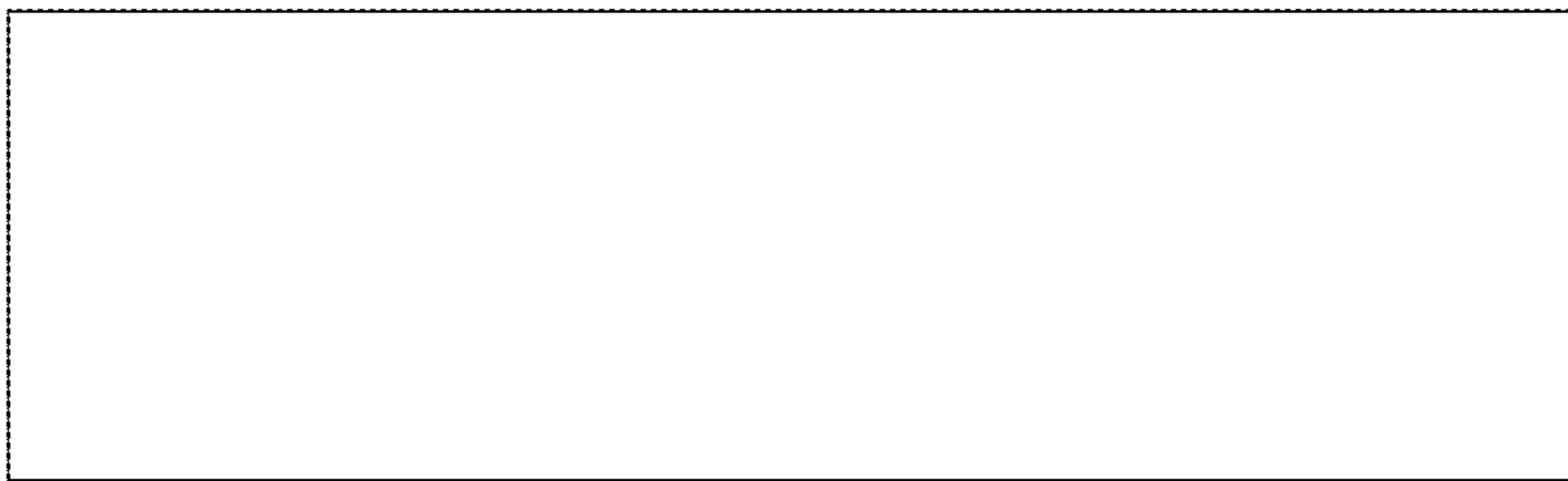


FIG. 94