



US00D899243S

(12) **United States Design Patent** (10) **Patent No.:** **US D899,243 S**  
**Mullin** (45) **Date of Patent:** **\*\* Oct. 20, 2020**

(54) **CABINET DOOR EDGE GUARD**  
(71) Applicant: **Tatyana Mullin**, Sarasota, FL (US)  
(72) Inventor: **Tatyana Mullin**, Sarasota, FL (US)  
(\*\*) Term: **15 Years**  
(21) Appl. No.: **29/646,001**  
(22) Filed: **May 1, 2018**  
(51) **LOC (12) Cl.** ..... **08-09**  
(52) **U.S. Cl.**  
USPC ..... **D8/403**  
(58) **Field of Classification Search**  
USPC ..... D8/349, 354, 403; D25/119  
CPC ..... A47B 97/00; A47B 95/043  
See application file for complete search history.

8,684,479 B2 \* 4/2014 Bai ..... F25D 25/02  
312/408  
9,339,111 B1 5/2016 Lynn  
D771,477 S \* 11/2016 Anderson ..... D25/121  
D800,347 S \* 10/2017 Blick ..... D25/119  
D852,614 S \* 7/2019 Schloss ..... D8/403  
D854,192 S \* 7/2019 Rokvic ..... D25/124  
2002/0012772 A1 1/2002 Kraemer  
2004/0169120 A1 9/2004 Brown  
2016/0029796 A1 \* 2/2016 Schollmeyer ..... A47B 96/201  
312/237  
2016/0227928 A1 \* 8/2016 Smith ..... A47B 95/043  
2016/0367024 A1 12/2016 Stanley

**FOREIGN PATENT DOCUMENTS**

GB 1226352 A 3/1971

\* cited by examiner

*Primary Examiner* — Lauren R Calve

(56) **References Cited**  
U.S. PATENT DOCUMENTS

2,805,911 A 9/1957 Hjalmer  
3,349,533 A \* 10/1967 Gregoire ..... E04B 2/7854  
52/716.8  
3,363,390 A \* 1/1968 Jameson ..... E06B 3/62  
52/716.8  
D290,404 S \* 6/1987 Stoler ..... D25/119  
4,858,413 A \* 8/1989 Grushka ..... A47B 95/043  
108/27  
5,026,588 A \* 6/1991 Diekmann ..... A47B 95/043  
248/345.1  
5,466,062 A 11/1995 McPherson  
5,803,653 A \* 9/1998 Zuffetti ..... E04B 2/7457  
403/363  
5,836,134 A \* 11/1998 Couto ..... A47B 95/043  
52/718.02  
5,979,853 A 11/1999 Emmons  
D599,193 S \* 9/2009 Meyer ..... D8/354  
D604,141 S 11/2009 Reed  
D696,814 S \* 12/2013 Matus, Jr. .... D26/138

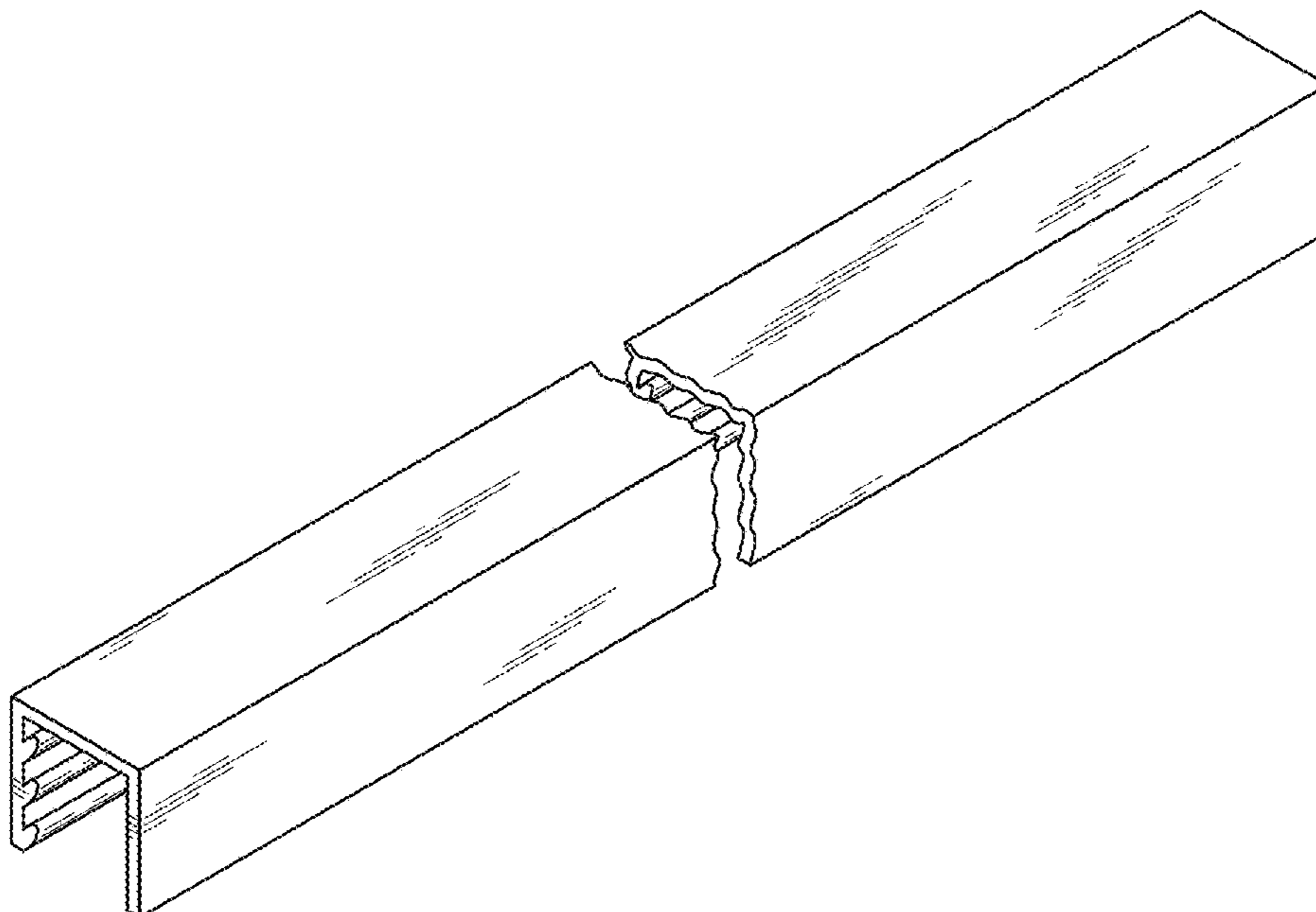
(57) **CLAIM**

I claim the ornamental design for a cabinet door edge guard, as shown and described.

**DESCRIPTION**

FIG. 1 is a front view of a cabinet door edge guard.  
FIG. 2 is a rear view thereof.  
FIG. 3 is a right side view thereof.  
FIG. 4 is a left side view thereof.  
FIG. 5 is a top view thereof.  
FIG. 6 is a bottom view thereof.  
FIG. 7 is a perspective view thereof; and,  
FIG. 8 is a second perspective view thereof shown in use on a cabinet door.  
The claim is shown with a symbolic break in its length. The appearance of any portion of the article between the break lines forms no part of the claimed design.

**1 Claim, 4 Drawing Sheets**



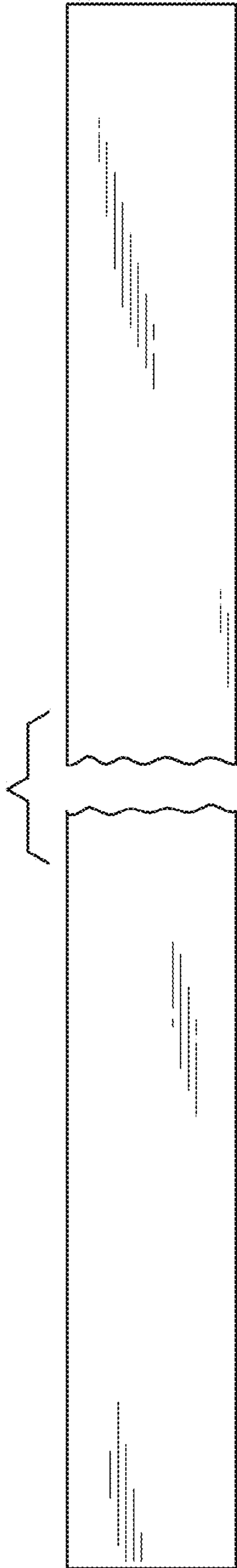


FIG. 1

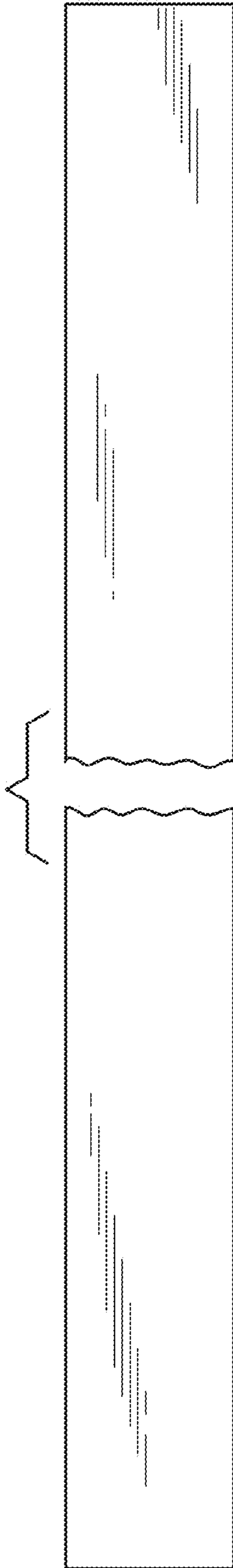


FIG. 2

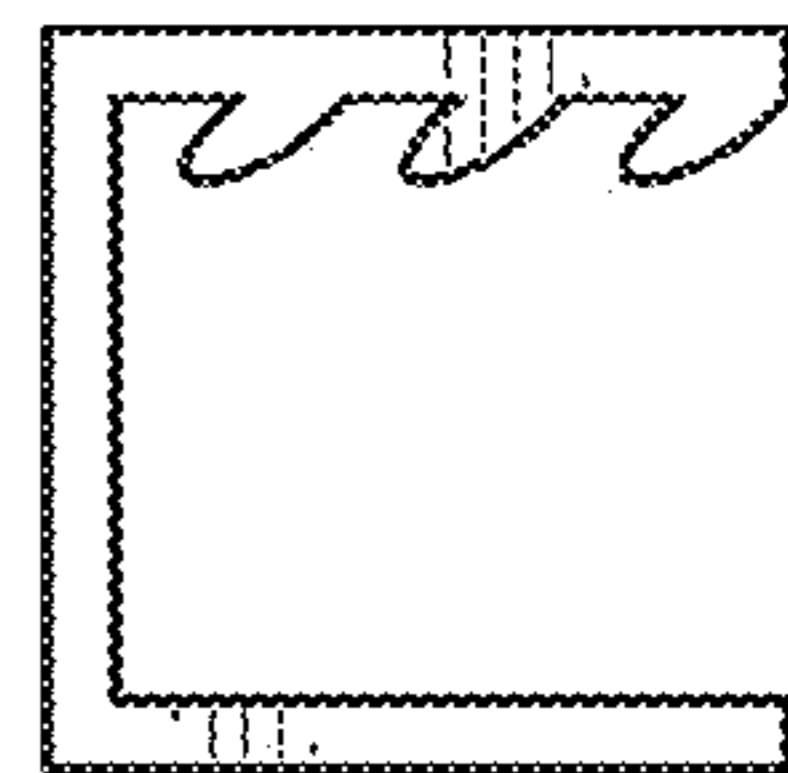


FIG. 3

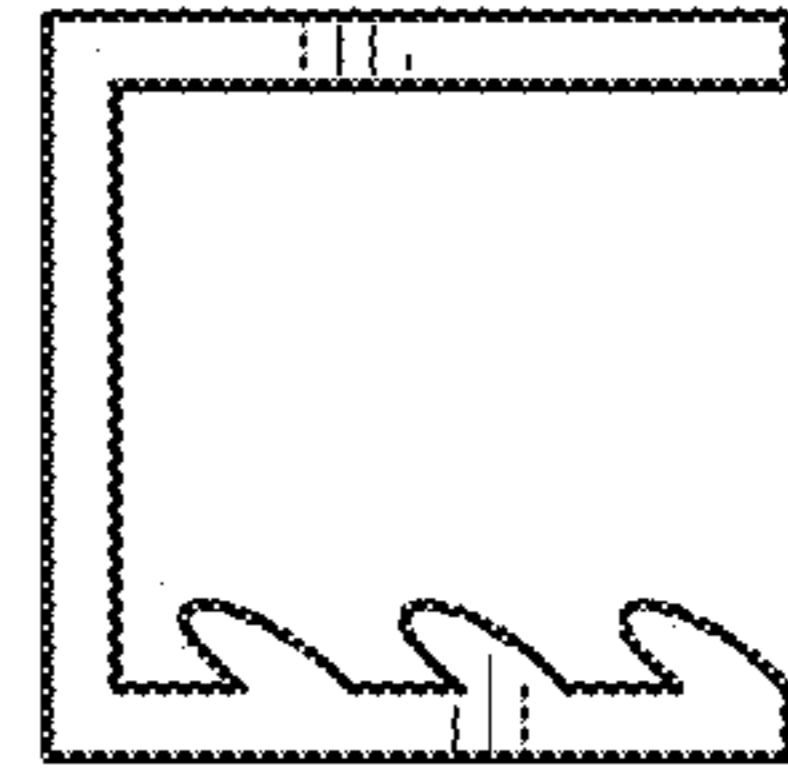


FIG. 4

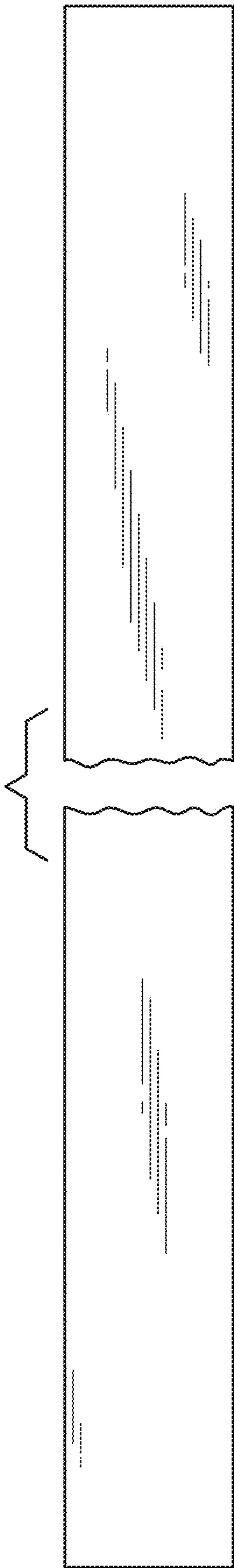


FIG. 5

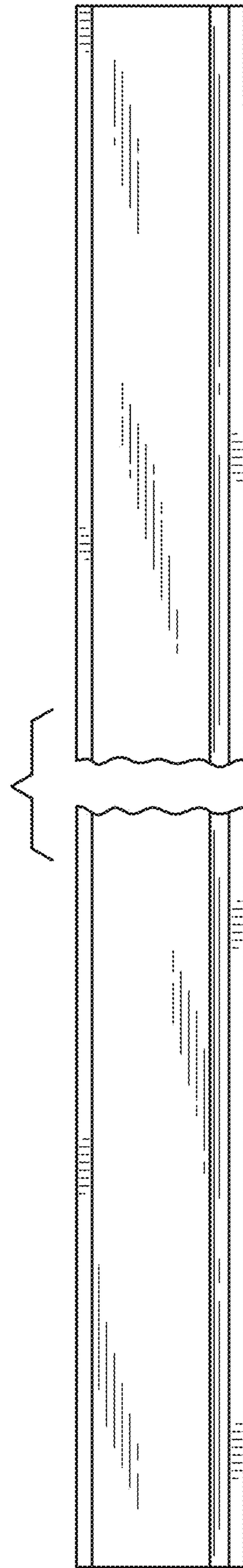


FIG. 6

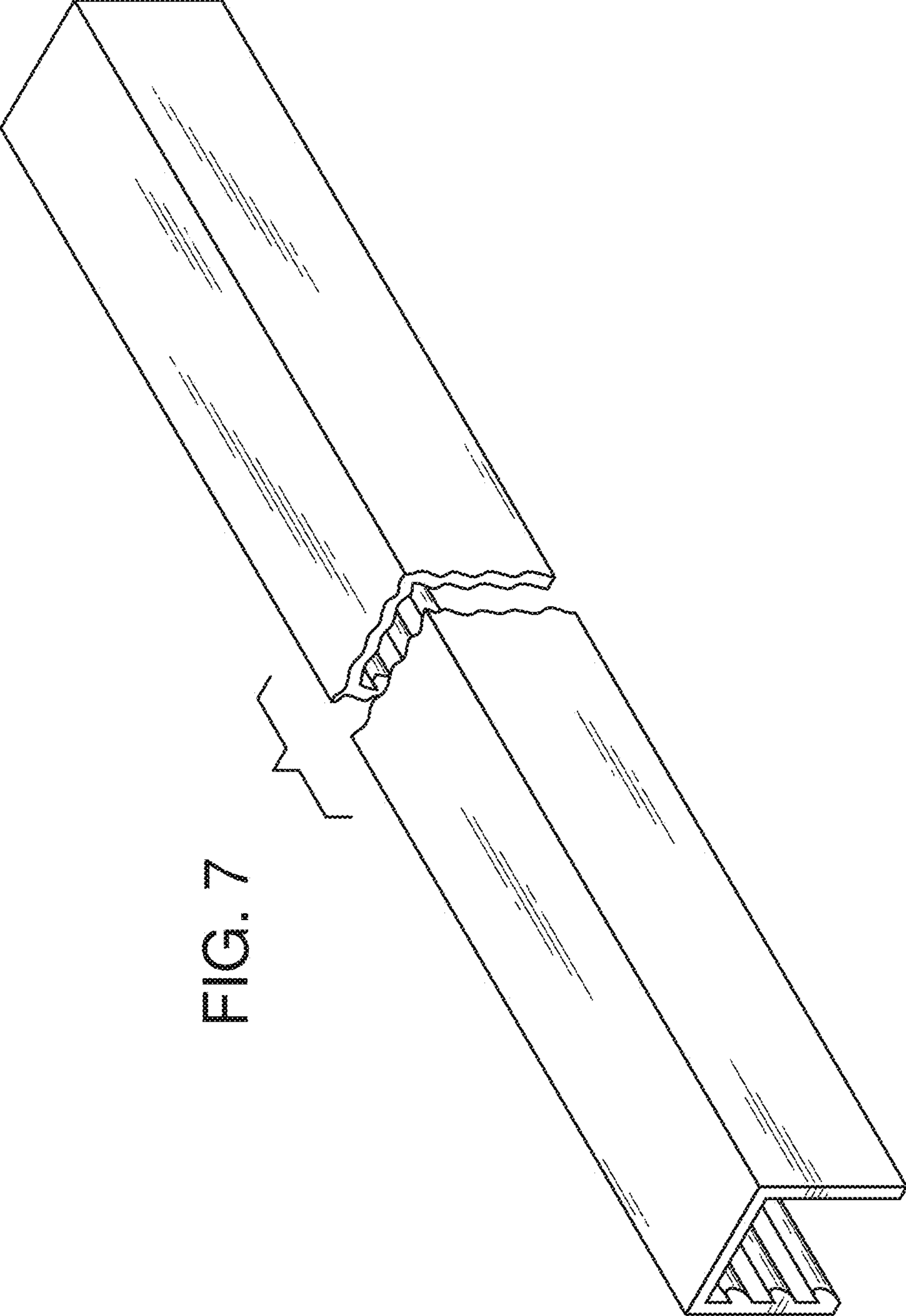


FIG. 7

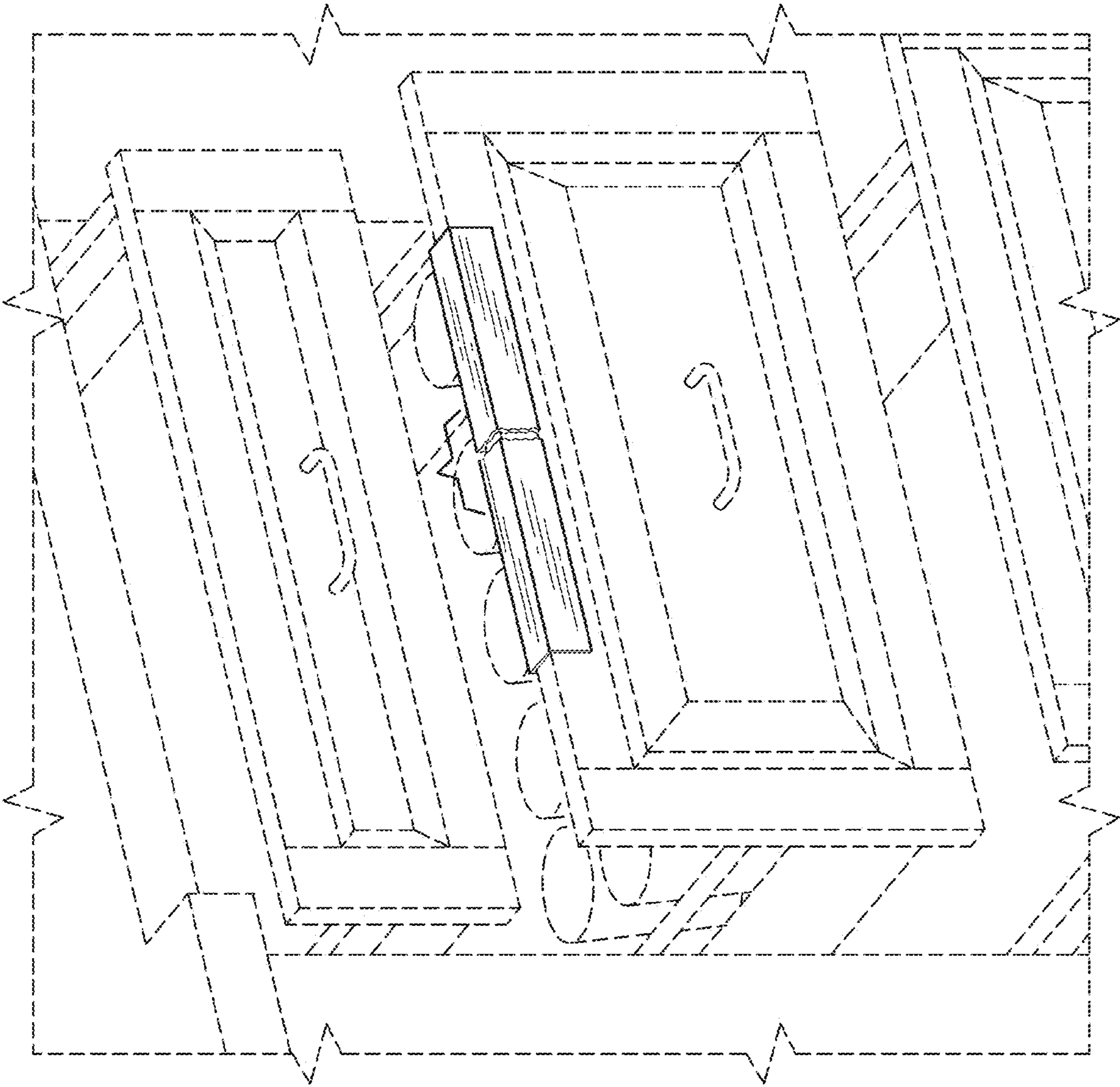


FIG. 8