



US00D899242S

(12) **United States Design Patent**  
**Mayer**

(10) **Patent No.:** **US D899,242 S**

(45) **Date of Patent:** **\*\* Oct. 20, 2020**

(54) **TOOL FREE BRACKET FOR BAMBOO  
BLINDS**

(71) Applicant: **Hangzhou Jeep Tower Clothing Co.,  
Ltd., Hangzhou (CN)**

(72) Inventor: **Michael Alexander Mayer, Bavaria  
(DE)**

(\*\*) Term: **15 Years**

(21) Appl. No.: **29/697,928**

(22) Filed: **Jul. 12, 2019**

(51) **LOC (12) Cl.** ..... **08-08**

(52) **U.S. Cl.**  
USPC ..... **D8/399**

(58) **Field of Classification Search**

USPC .... D8/397, 394, 382, 349, 399, 387, 70, 29,  
D8/83, 86, 395, 373, 381, 363;  
411/376.2, 84, 446, 399, 490, 455, 377,  
411/173; D23/259, 260

CPC .... F16B 37/068; F16B 33/002; F16B 41/002;  
F16B 5/0208; F16B 23/0061; F16B  
31/02; F16B 37/02; F01N 13/009

See application file for complete search history.

(56) **References Cited**

**U.S. PATENT DOCUMENTS**

D292,670 S \* 11/1987 Seegmiller ..... D8/382  
D677,505 S \* 3/2013 Walton ..... D6/572

D734,657 S \* 7/2015 Wu ..... D8/373  
D744,323 S \* 12/2015 Mize ..... D8/381  
D811,209 S \* 2/2018 Tincher ..... D8/399  
D820,068 S \* 6/2018 Brooks ..... D8/363  
D843,819 S \* 3/2019 House ..... D8/366  
D891,240 S \* 7/2020 Buczynski ..... D8/395

\* cited by examiner

*Primary Examiner* — Cynthia R Underwood

(74) *Attorney, Agent, or Firm* — HYIP

(57) **CLAIM**

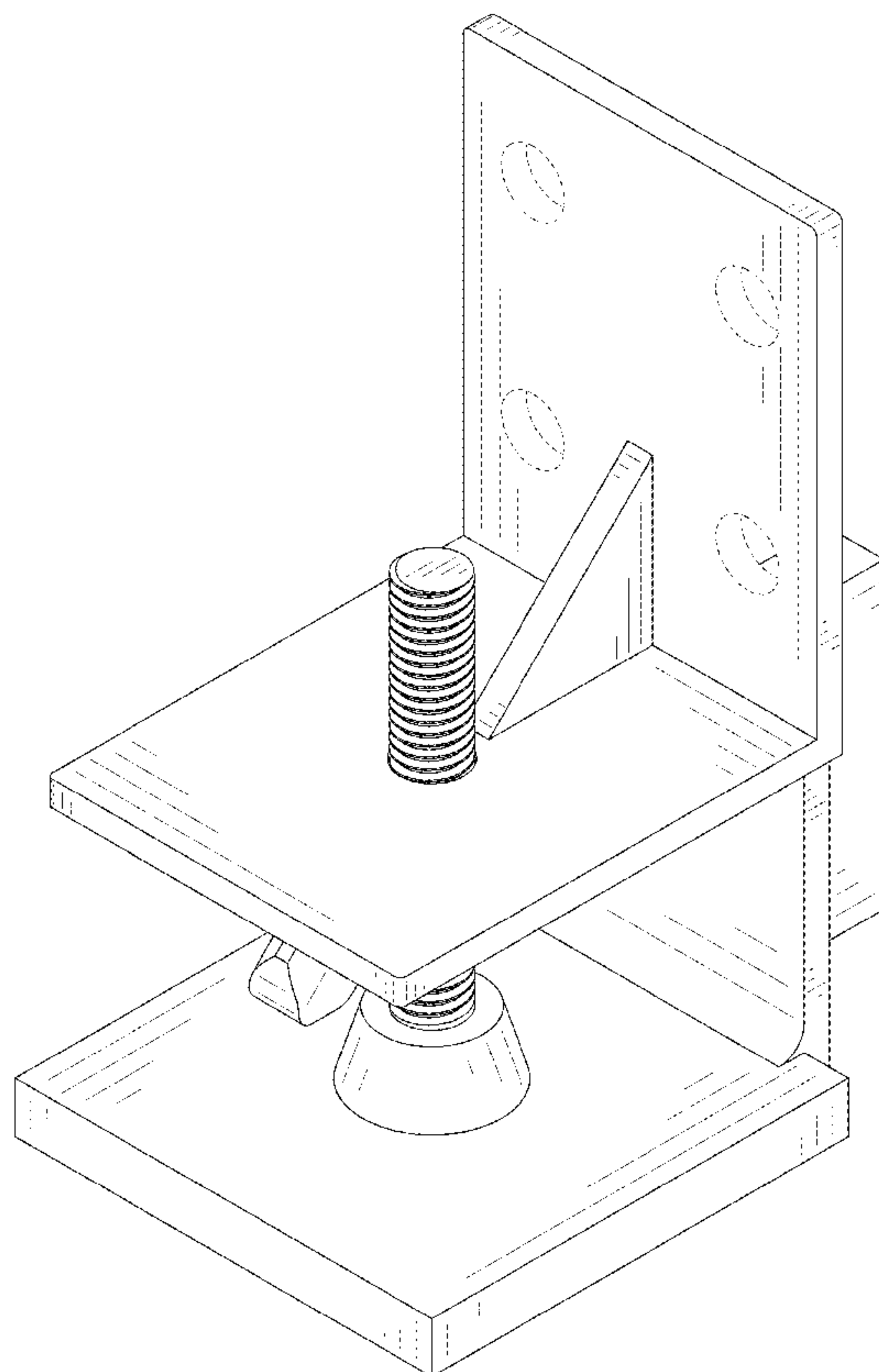
The ornamental design for a tool free bracket for bamboo blinds, as shown and described.

**DESCRIPTION**

FIG. 1 is a first perspective view of a tool free bracket for bamboo blinds showing my design;  
FIG. 2 is a second perspective view thereof;  
FIG. 3 is a front view thereof;  
FIG. 4 is a back view thereof;  
FIG. 5 is a left side view thereof;  
FIG. 6 is a right side view thereof;  
FIG. 7 is a top view thereof; and,  
FIG. 8 is a bottom view thereof.

The broken lines shown in the drawings depict portions of the tool free bracket for bamboo blinds in which the design is embodied that form no part of the claimed design.

**1 Claim, 8 Drawing Sheets**



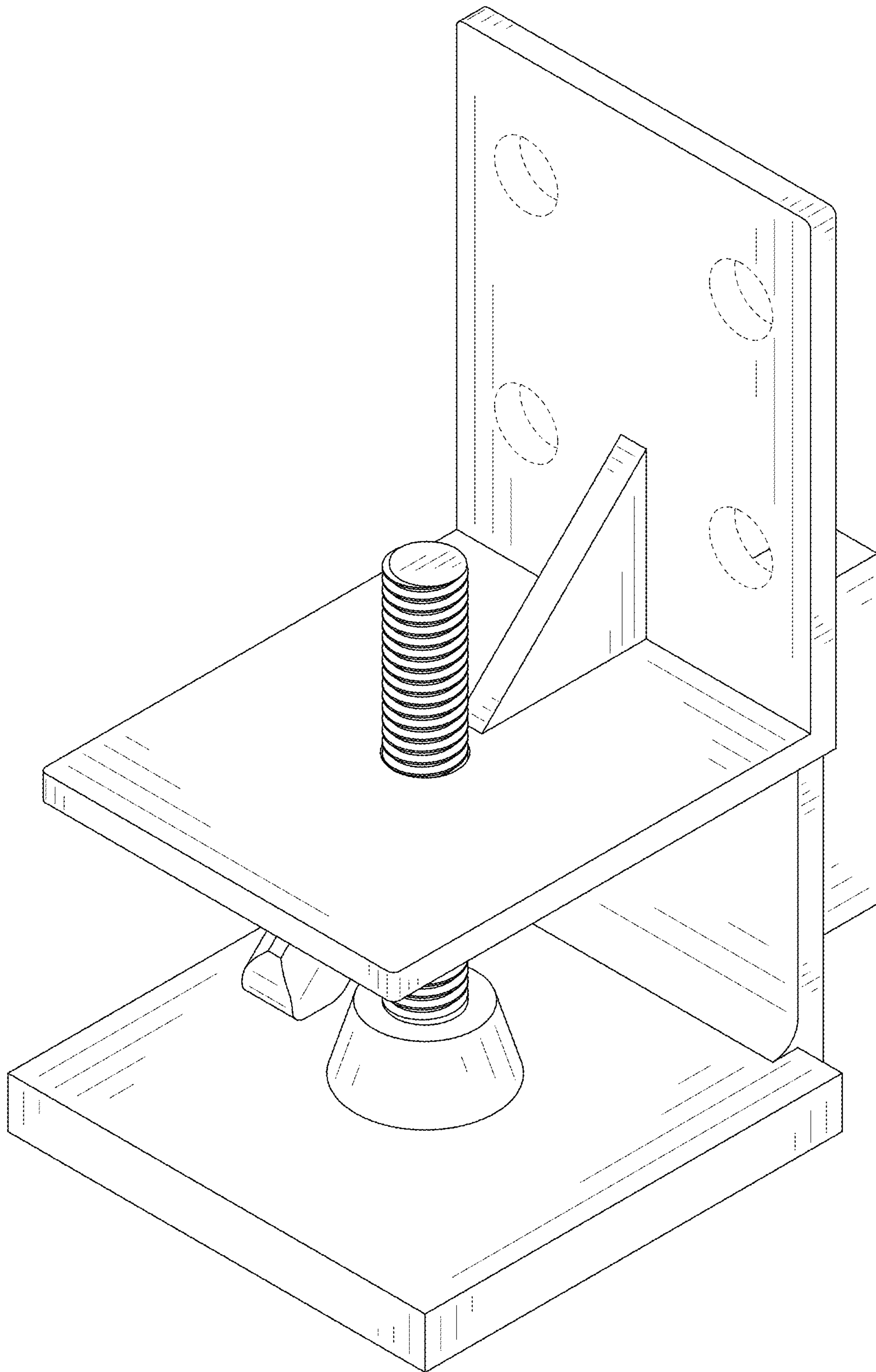


FIG. 1

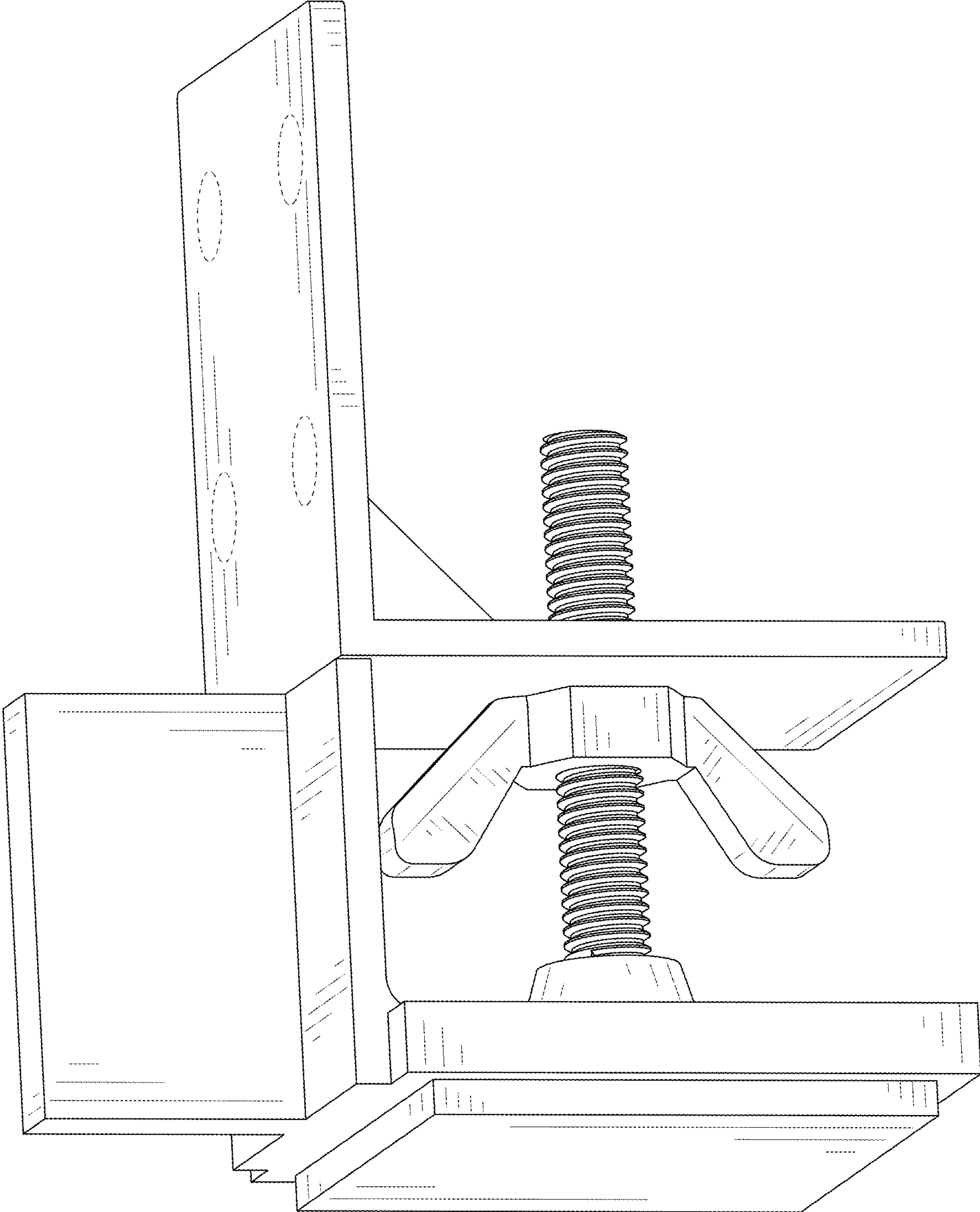


FIG. 2

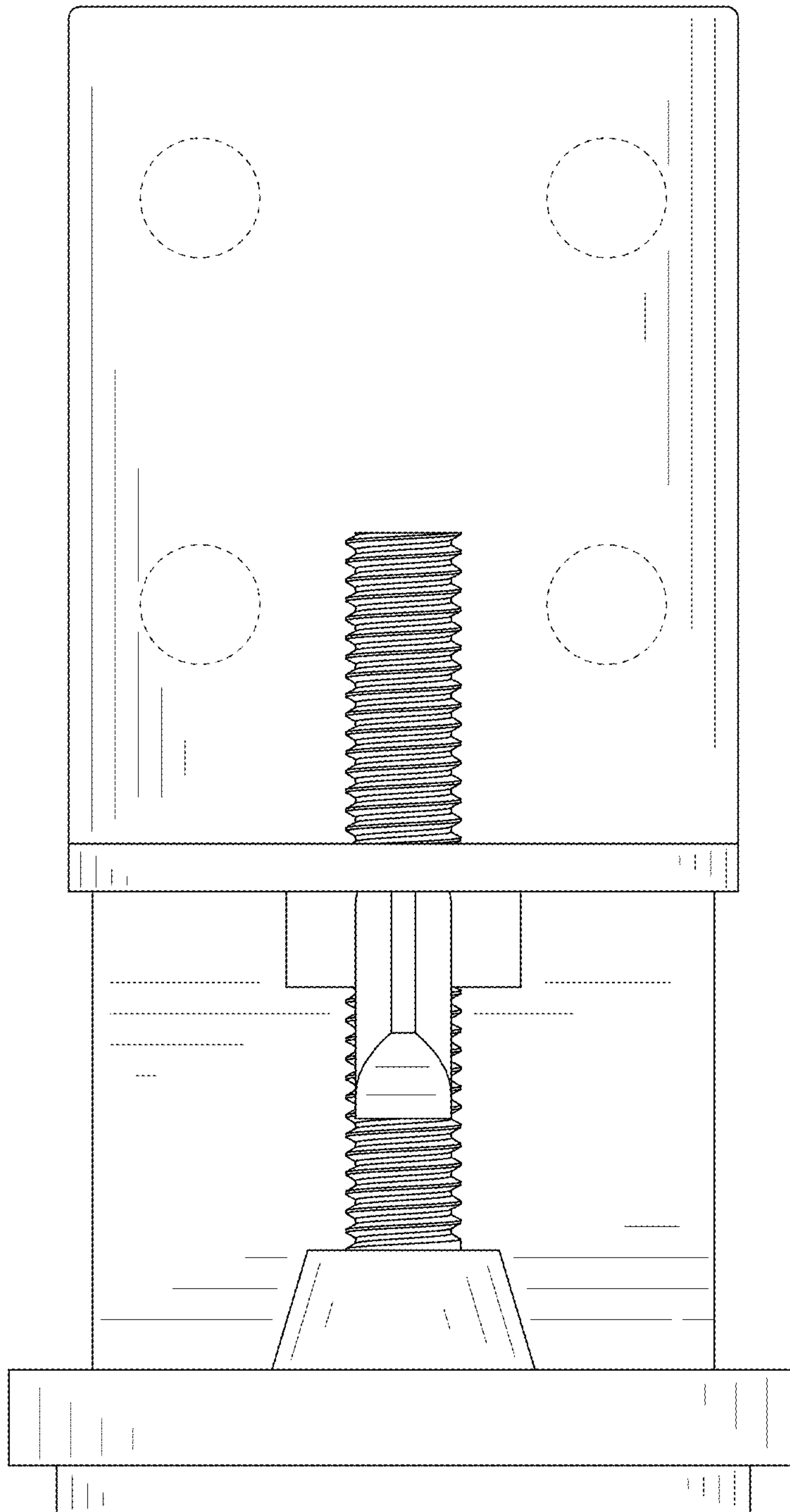


FIG. 3

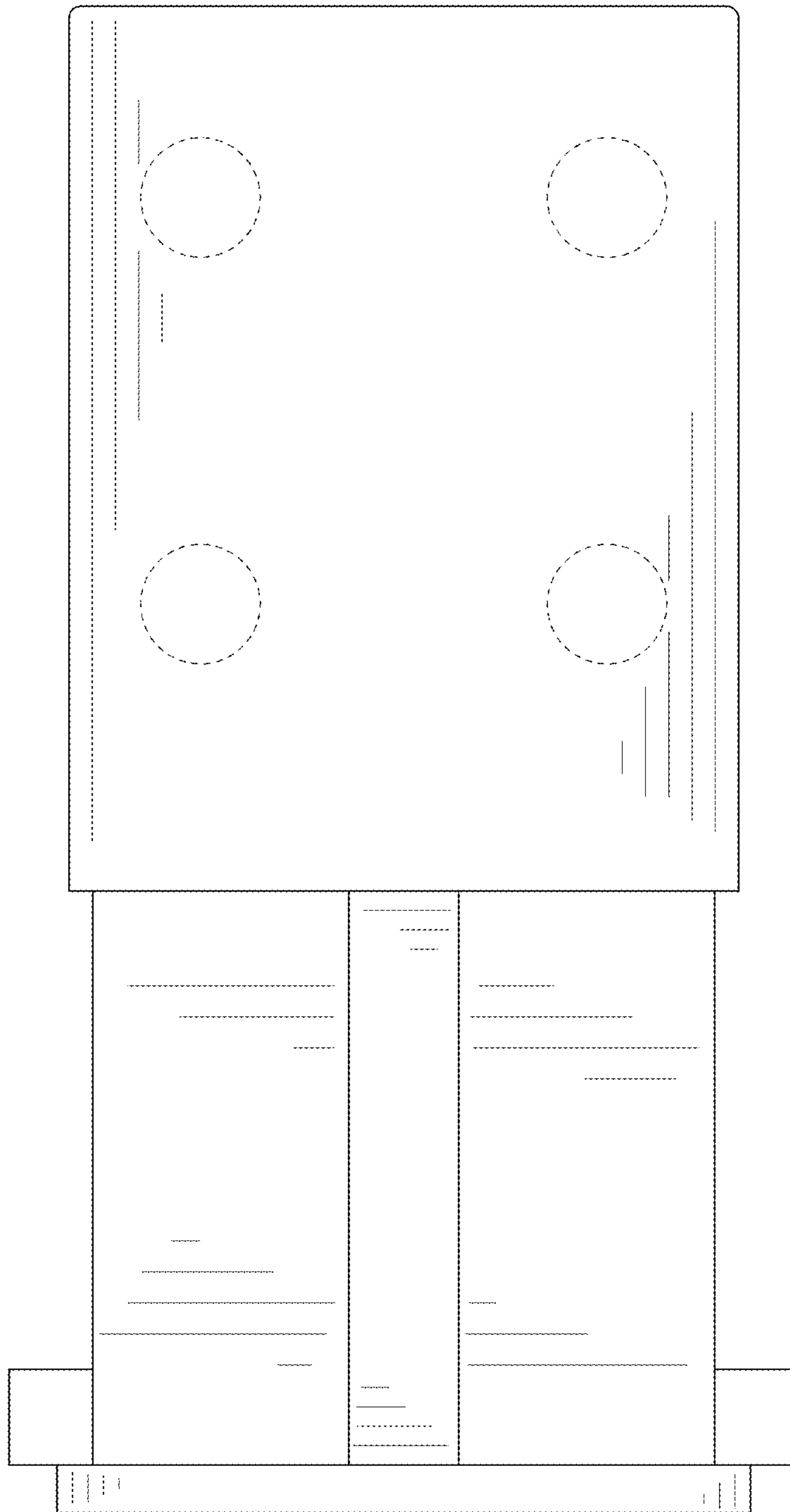


FIG. 4



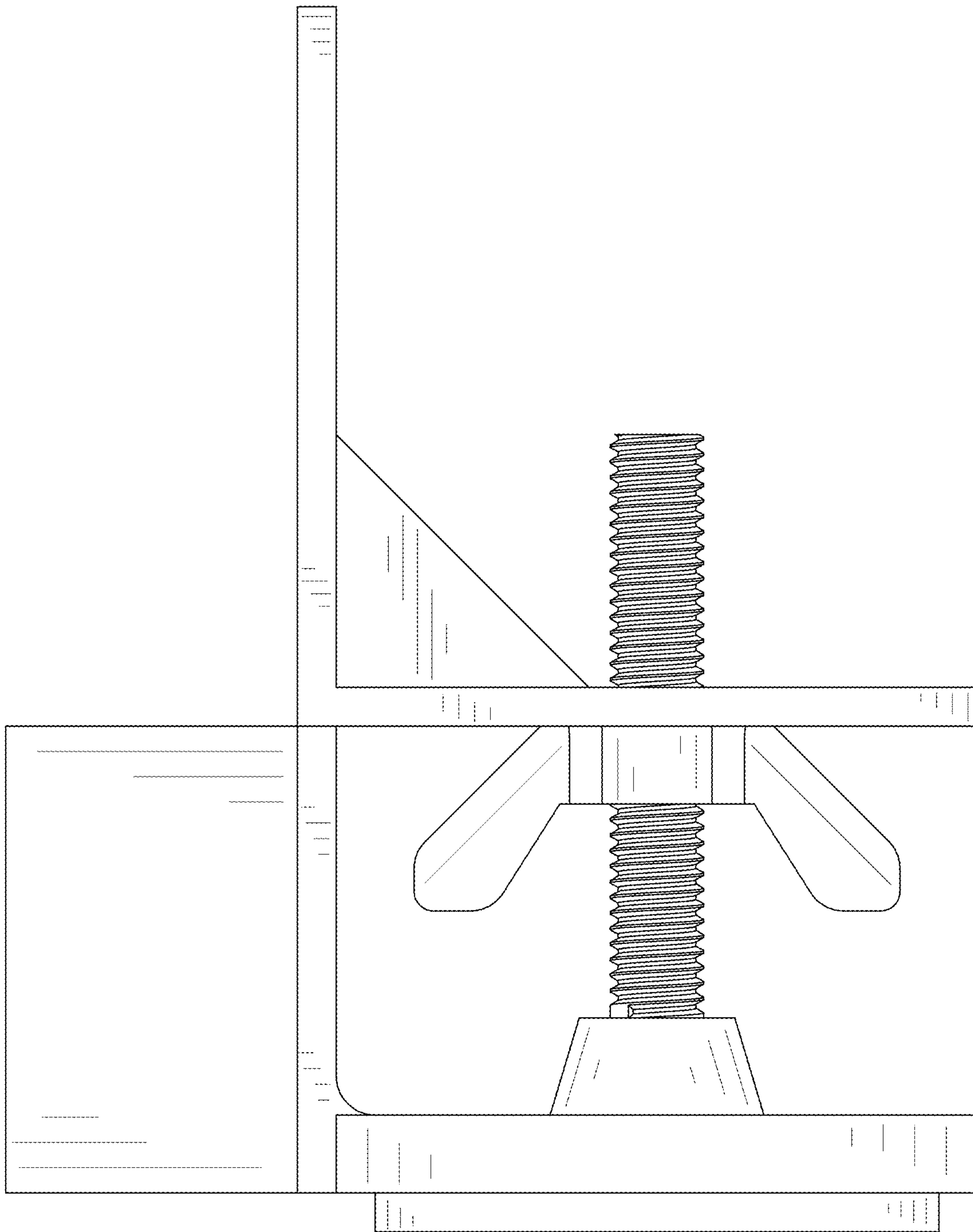


FIG. 5

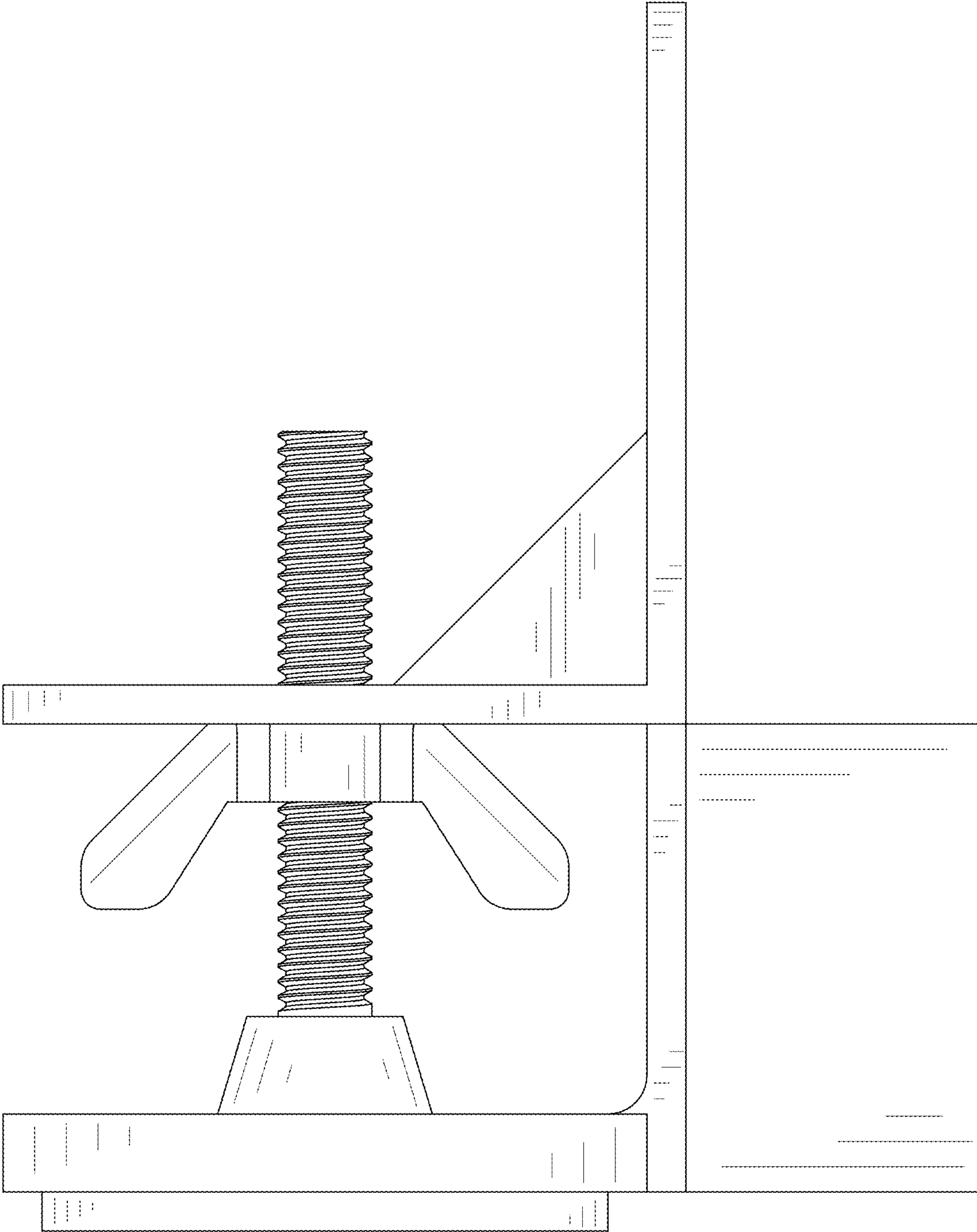


FIG. 6

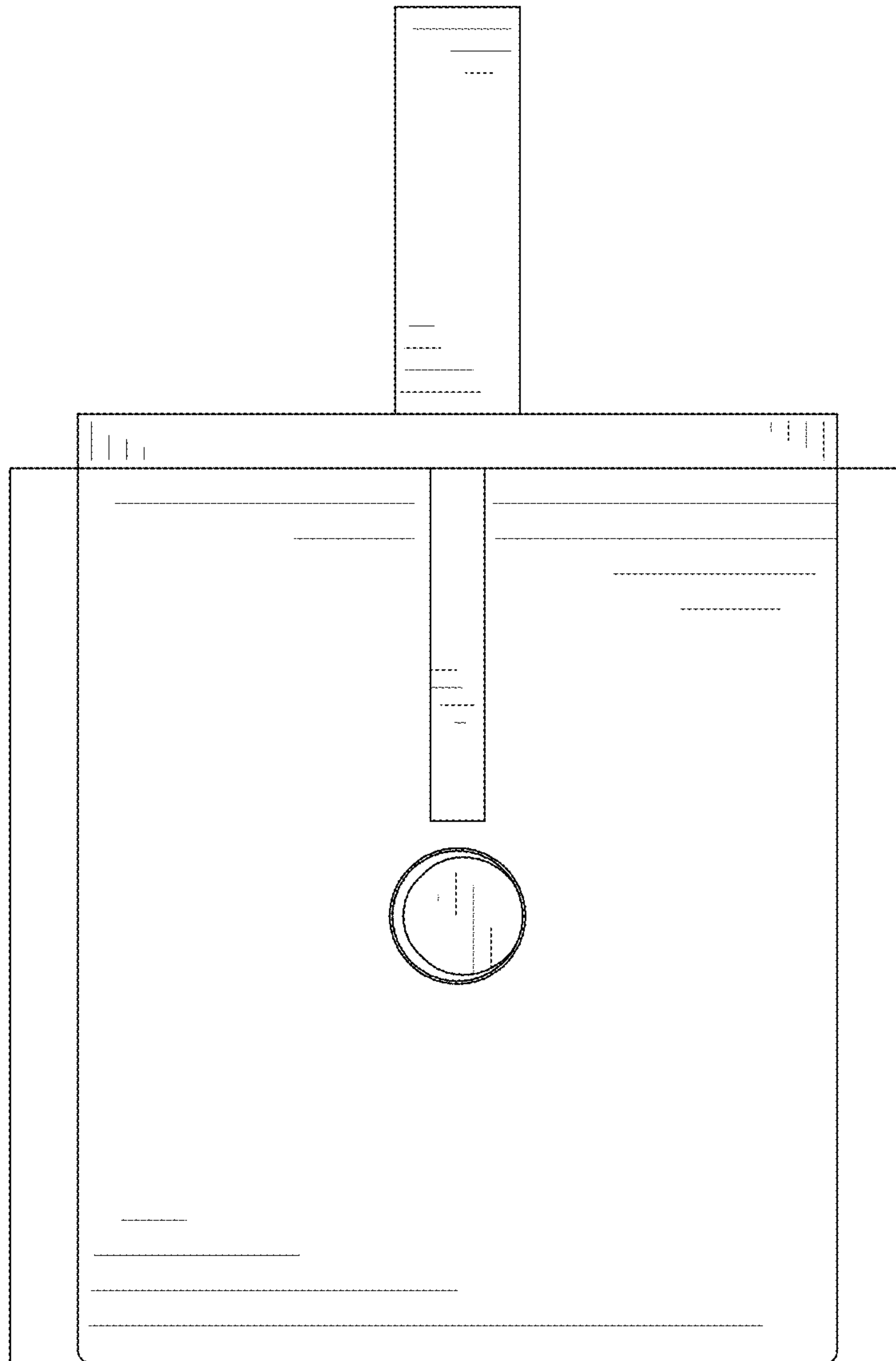


FIG. 7



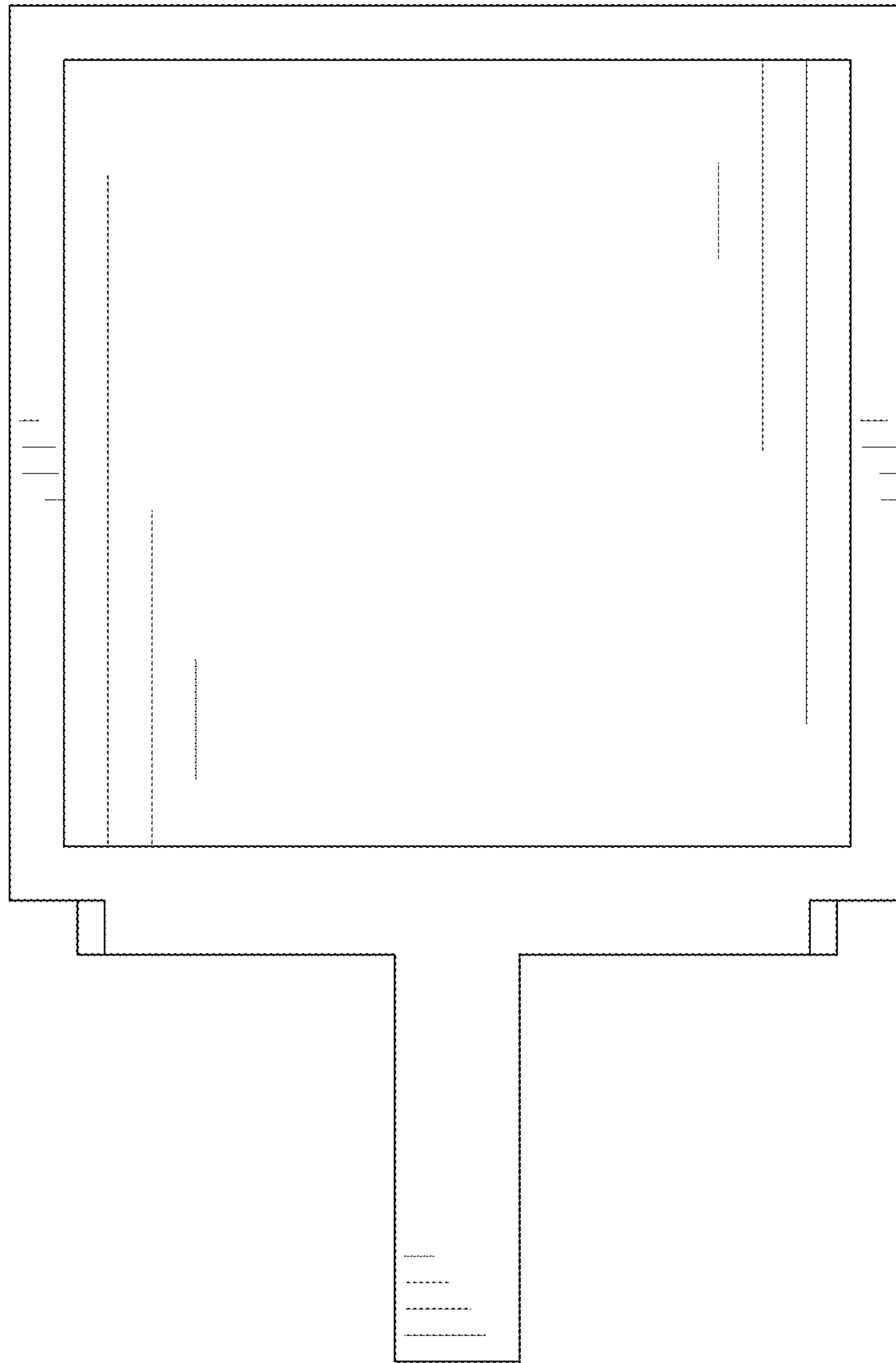


FIG. 8