



US00D899241S

(12) **United States Design Patent** (10) **Patent No.:** **US D899,241 S**  
**Gridley** (45) **Date of Patent:** **\*\* Oct. 20, 2020**

(54) **QUICK CAM**

(71) Applicant: **William E Gridley**, Delafield, WI (US)

(72) Inventor: **William E Gridley**, Delafield, WI (US)

(\*\*) Term: **15 Years**

(21) Appl. No.: **29/685,396**

(22) Filed: **Mar. 28, 2019**

**Related U.S. Application Data**

(60) Division of application No. 29/599,696, filed on Apr. 5, 2017, now Pat. No. Des. 850,899, which is a continuation of application No. 13/949,527, filed on Jul. 24, 2013, which is a continuation of application No. 29/416,183, filed on Mar. 20, 2012, now Pat. No. Des. 712,730, which is a continuation of application No. 29/385,453, filed on Feb. 14, 2011, now abandoned, and a continuation of application No. 12/464,045, filed on May 11, 2009, now Pat. No. 8,196,877, and a continuation of application No. 13/090,444, filed on Apr. 20, 2011, now Pat. No. 8,220,474, which is a continuation of application No. 12/400,952, filed on Mar. 10, 2009, now Pat. No. 8,069,870, said application No. 13/949,527 is a continuation of application No. 29/455,317, filed on May 20, 2013, now Pat. No. Des. 719,431.

(51) **LOC (12) Cl.** ..... **08-08**

(52) **U.S. Cl.**  
USPC ..... **D8/396**

(58) **Field of Classification Search**  
USPC ..... D8/394-396, 349-356, 373, 400, 21-26,  
D8/29, 499  
CPC . H01R 11/11; F16L 23/036; F16L 3/13; F16L  
3/1033; E04B 2/74

See application file for complete search history.

(56) **References Cited**

U.S. PATENT DOCUMENTS

3,521,332	A *	7/1970	Kramer .....	F16B 2/22	248/229.26
3,596,859	A *	8/1971	MacDonald .....	F21S 4/10	248/214
D240,681	S *	7/1976	Granatelli .....	D6/526	
D241,314	S *	9/1976	Hug .....	D11/27	
4,121,798	A *	10/1978	Schumacher .....	A47L 13/512	24/336
D267,231	S *	12/1982	Guem, Jr. ....	D21/775	
D295,723	S *	5/1988	Shioda .....	D8/380	
D295,725	S *	5/1988	Shioda .....	D8/380	
4,901,960	A *	2/1990	Gary .....	F21V 19/0005	248/205.3
D309,280	S *	7/1990	Balfanz-Lee .....	D11/201	

(Continued)

*Primary Examiner* — John Windmuller  
(74) *Attorney, Agent, or Firm* — William Simmons;  
Simmons Patents

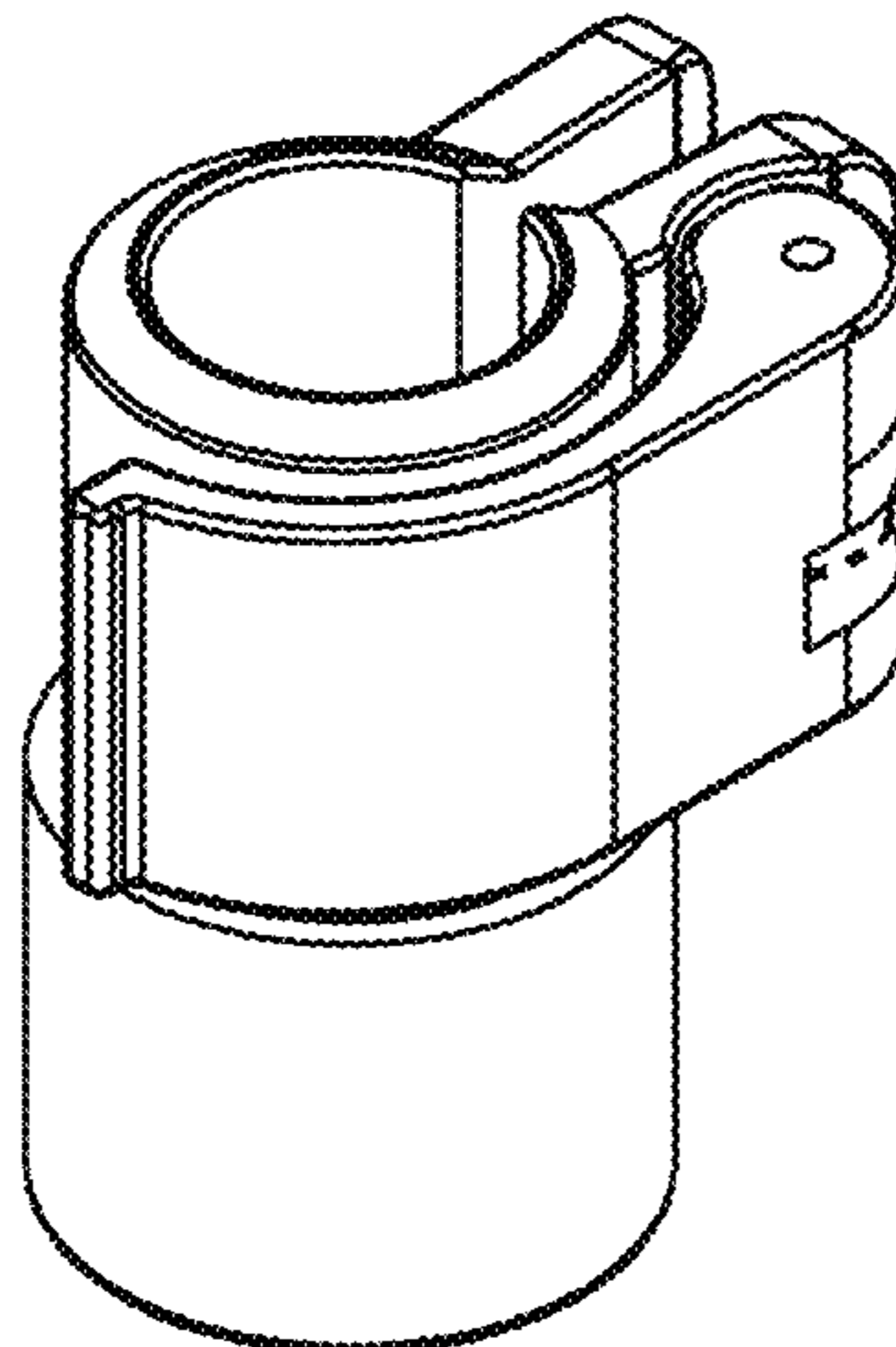
(57) **CLAIM**

The ornamental design for a quick cam, as shown and described.

**DESCRIPTION**

FIG. 1 is a front elevated perspective exploded view thereof; FIG. 2 is a rear elevated perspective view thereof; FIG. 3 is a front right elevational perspective view thereof; FIG. 4 is a right elevational view thereof; FIG. 5 is a left elevational view thereof; FIG. 6 is a front elevational view thereof; FIG. 7 is a top plan view thereof; FIG. 8 is a bottom view of a collar portion thereof, shown separately for ease of disclosure; and, FIG. 9 is a bottom perspective view of a collar portion thereof, shown separately for ease of disclosure. The broken lines depict portions of the quick cam that form no part of the claimed design.

**1 Claim, 9 Drawing Sheets**



(56)

References Cited

U.S. PATENT DOCUMENTS

4,962,907 A \* 10/1990 Gary ..... F21V 19/0005  
248/205.3  
5,110,078 A \* 5/1992 Gary ..... F21V 19/0005  
248/206.2  
5,332,090 A \* 7/1994 Tucker ..... A63B 55/408  
206/315.3  
D350,947 S \* 9/1994 Klinger ..... D14/454  
D363,211 S \* 10/1995 Noble ..... D8/371  
5,462,212 A \* 10/1995 Hertel, Jr. .... B60N 3/14  
206/86  
D371,735 S \* 7/1996 Motta ..... D6/535  
D375,453 S \* 11/1996 Fleck ..... D8/395  
D375,890 S \* 11/1996 Takai ..... D8/380  
D376,973 S \* 12/1996 Brown ..... D8/395  
5,609,415 A \* 3/1997 Protz, Jr. .... F21V 21/08  
248/229.16  
5,806,669 A \* 9/1998 Kim ..... B65D 83/285  
206/228  
D406,051 S \* 2/1999 Ross ..... D8/395  
D417,612 S \* 12/1999 Jones ..... D26/138  
D432,404 S \* 10/2000 Garfinkle ..... D8/395  
D435,684 S \* 12/2000 Gary ..... D26/138  
D451,730 S \* 12/2001 Henderson ..... D6/534  
D470,937 S \* 2/2003 Gary ..... D24/138  
D483,654 S \* 12/2003 Taylor ..... D8/356  
D537,331 S \* 2/2007 Hill ..... D8/395

D552,463 S \* 10/2007 French ..... D8/395  
D560,482 S \* 1/2008 Casteel ..... D8/395  
D560,483 S \* 1/2008 Mercier ..... D6/550  
D569,150 S \* 5/2008 Vasilev ..... D6/534  
D571,648 S \* 6/2008 Rieder ..... D8/395  
D625,996 S \* 10/2010 Witty ..... D8/396  
D648,211 S \* 11/2011 Weaver ..... D8/396  
D652,517 S \* 1/2012 Weaver ..... D24/134  
D672,004 S \* 12/2012 Stracener ..... D22/108  
D682,464 S \* 5/2013 Gary ..... D26/142  
D690,997 S \* 10/2013 Zemel ..... D7/590  
D692,689 S \* 11/2013 Yiannaki ..... D6/606  
D695,550 S \* 12/2013 Yiannaki ..... D6/606  
9,010,708 B2 \* 4/2015 Vasilev ..... A47K 1/09  
206/15.3  
D729,542 S \* 5/2015 Dontfraid ..... D6/534  
D730,163 S \* 5/2015 Wu ..... D8/376  
D761,097 S \* 7/2016 Votel ..... D8/394  
D773,287 S \* 12/2016 Lida ..... D8/363  
D773,885 S \* 12/2016 Loshuk ..... D7/387  
D793,646 S \* 8/2017 Bacallao ..... D34/27  
D806,527 S \* 1/2018 Baker, Jr. .... D8/396  
D811,861 S \* 3/2018 Ravassa ..... D8/367  
D812,456 S \* 3/2018 Nolta ..... D8/373  
D815,517 S \* 4/2018 Van Fleet ..... D8/396  
D821,248 S \* 6/2018 Naqvi ..... D11/3  
2012/0069587 A1 \* 3/2012 Holland ..... F21V 21/088  
362/396

\* cited by examiner

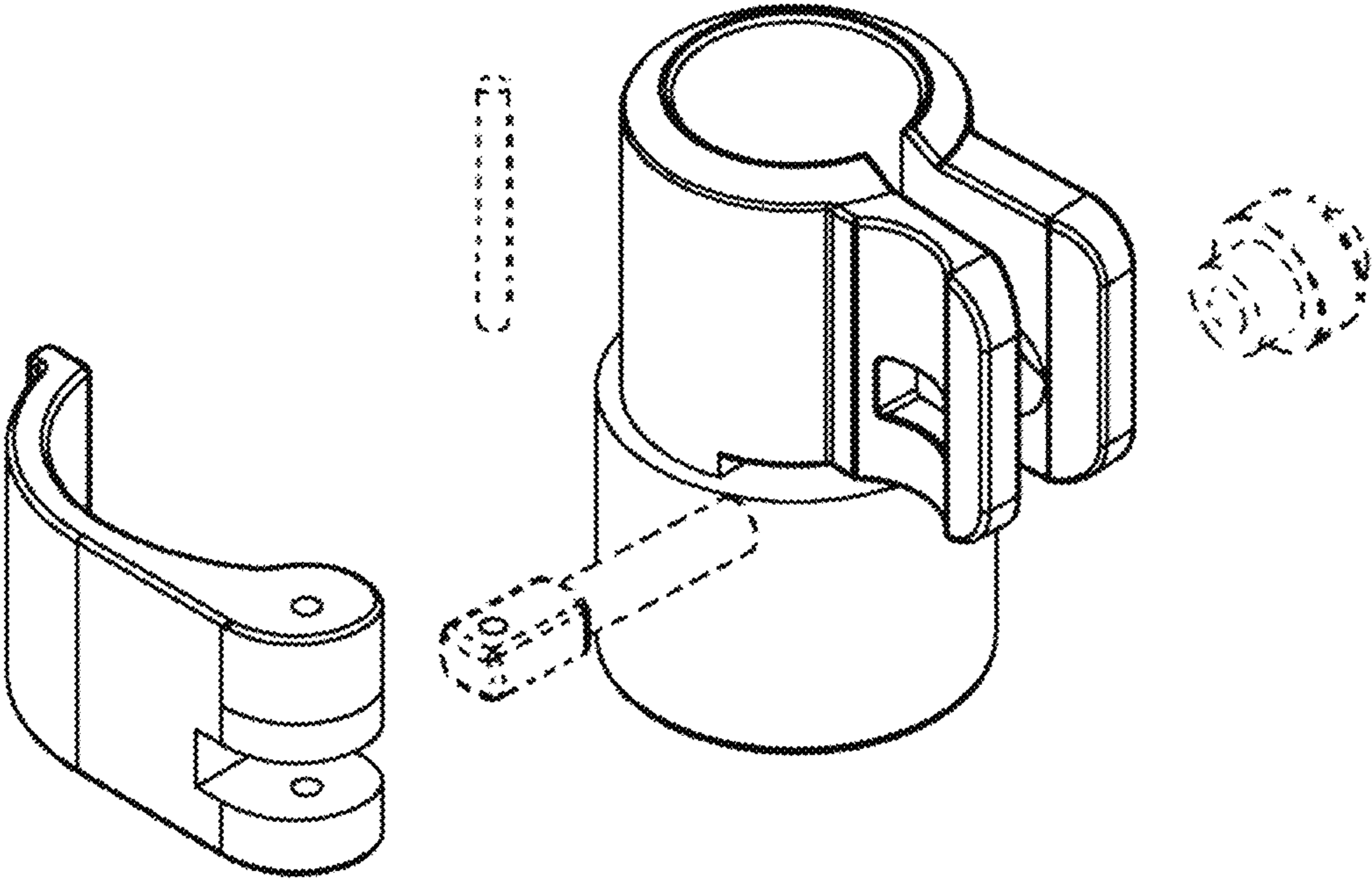
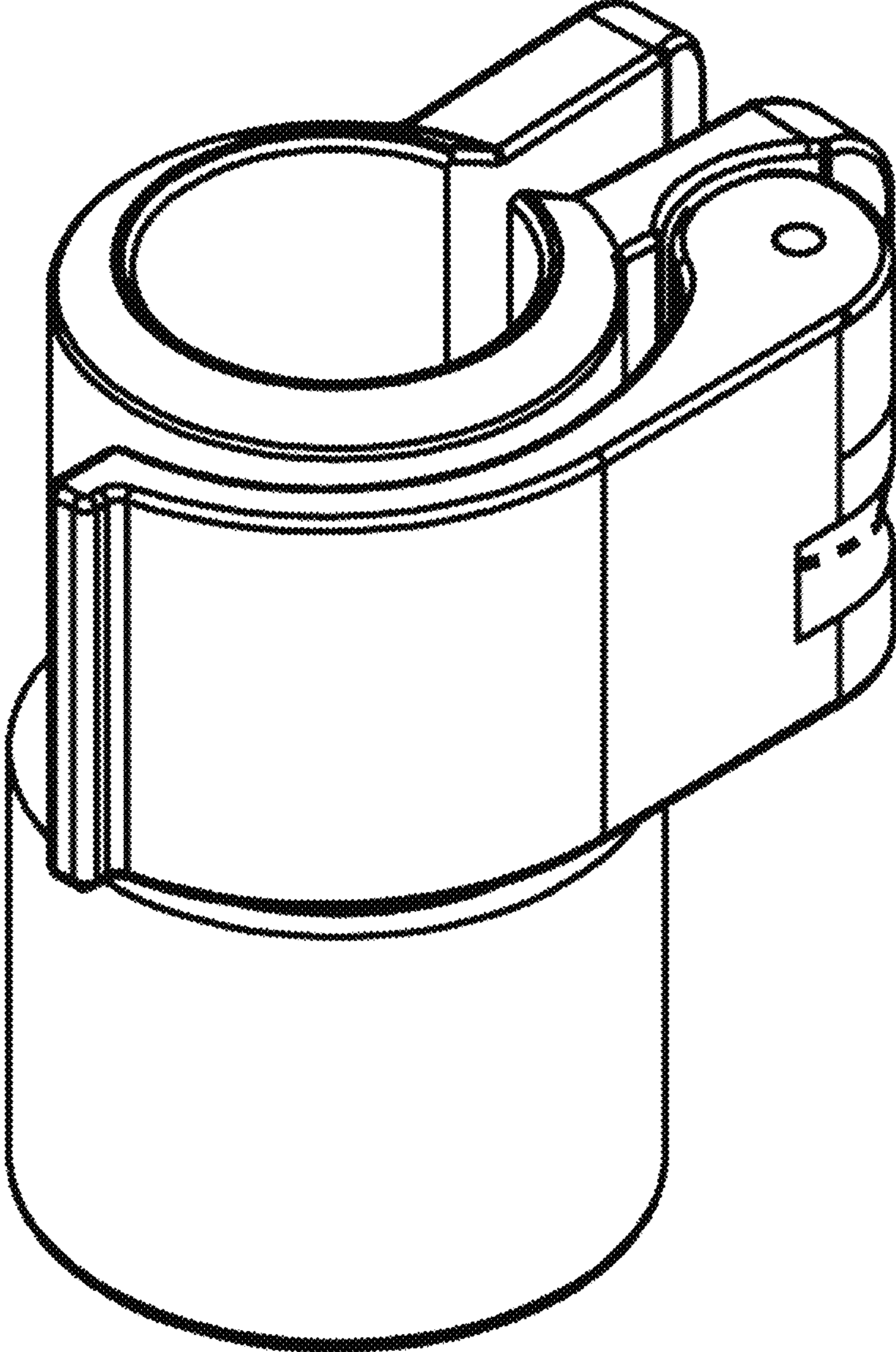
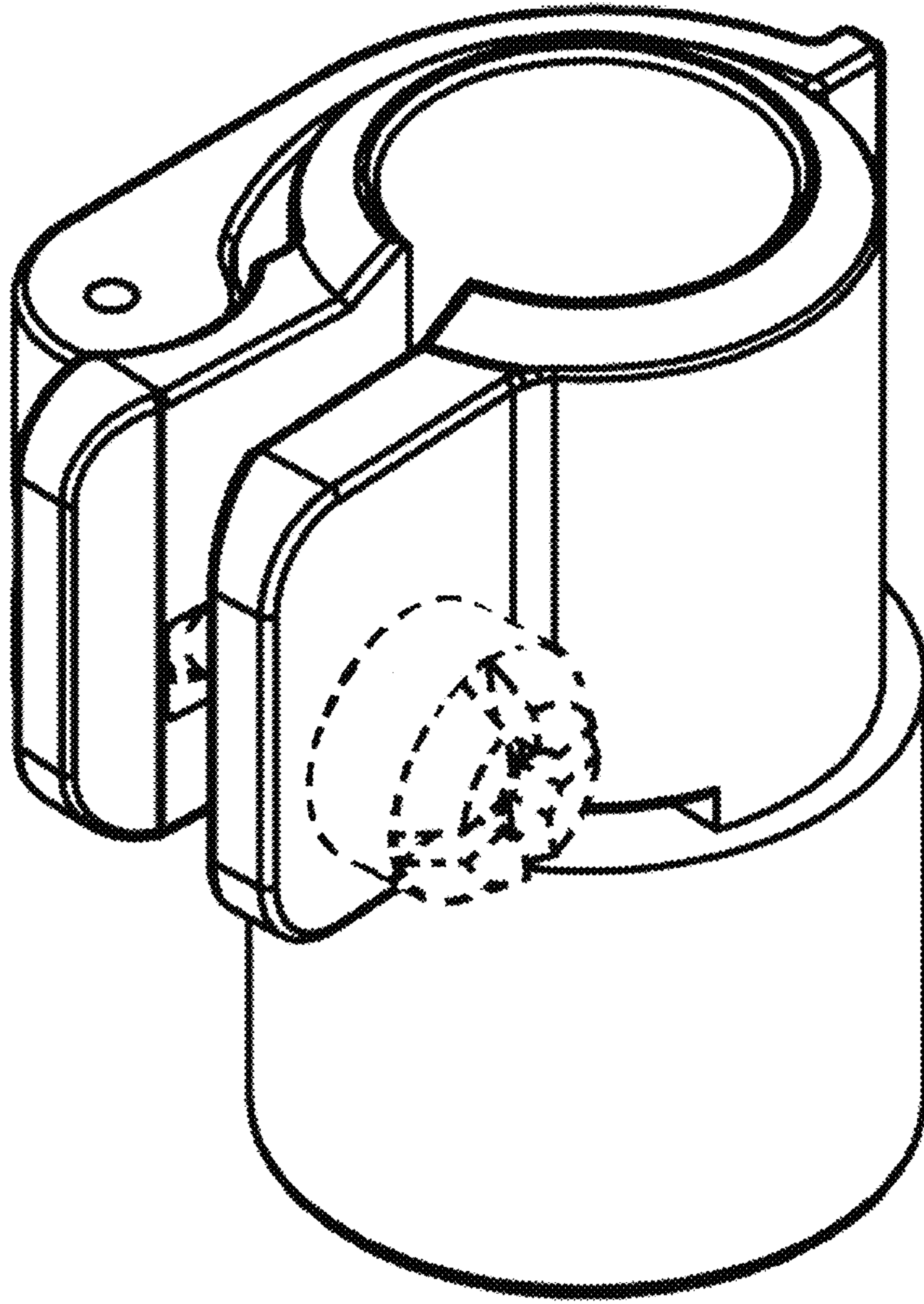


Fig. 1

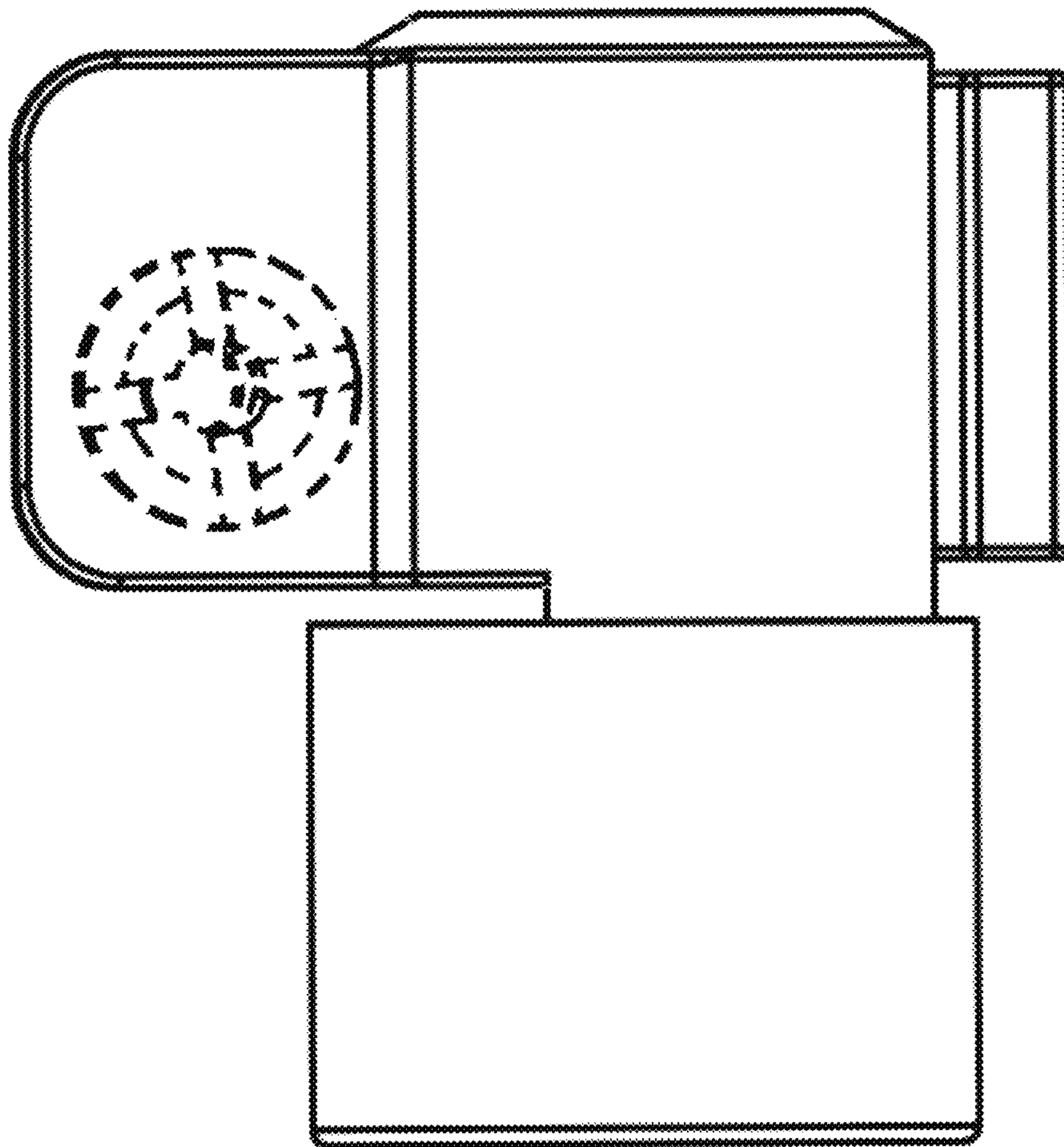




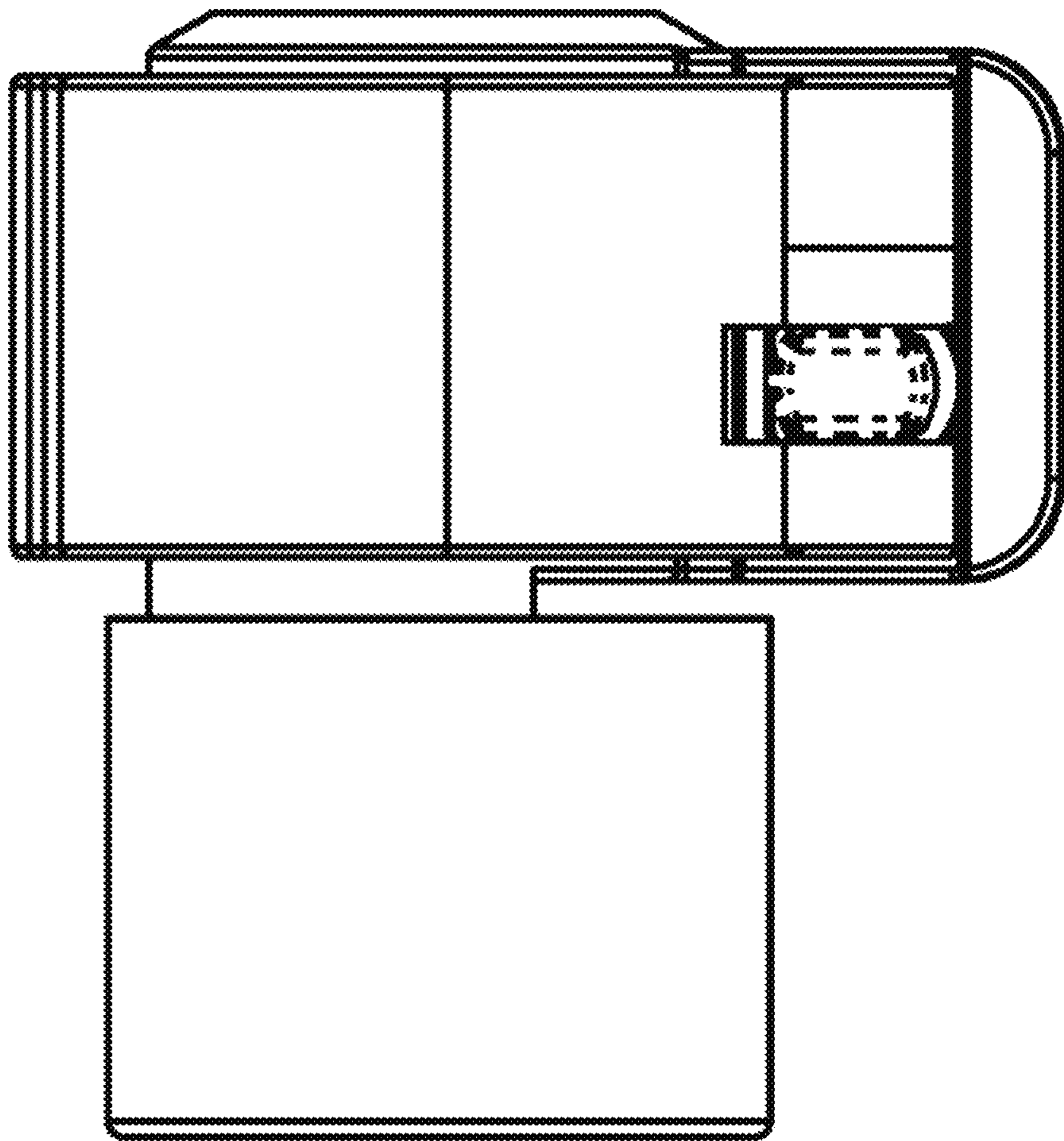
**FIG 2**



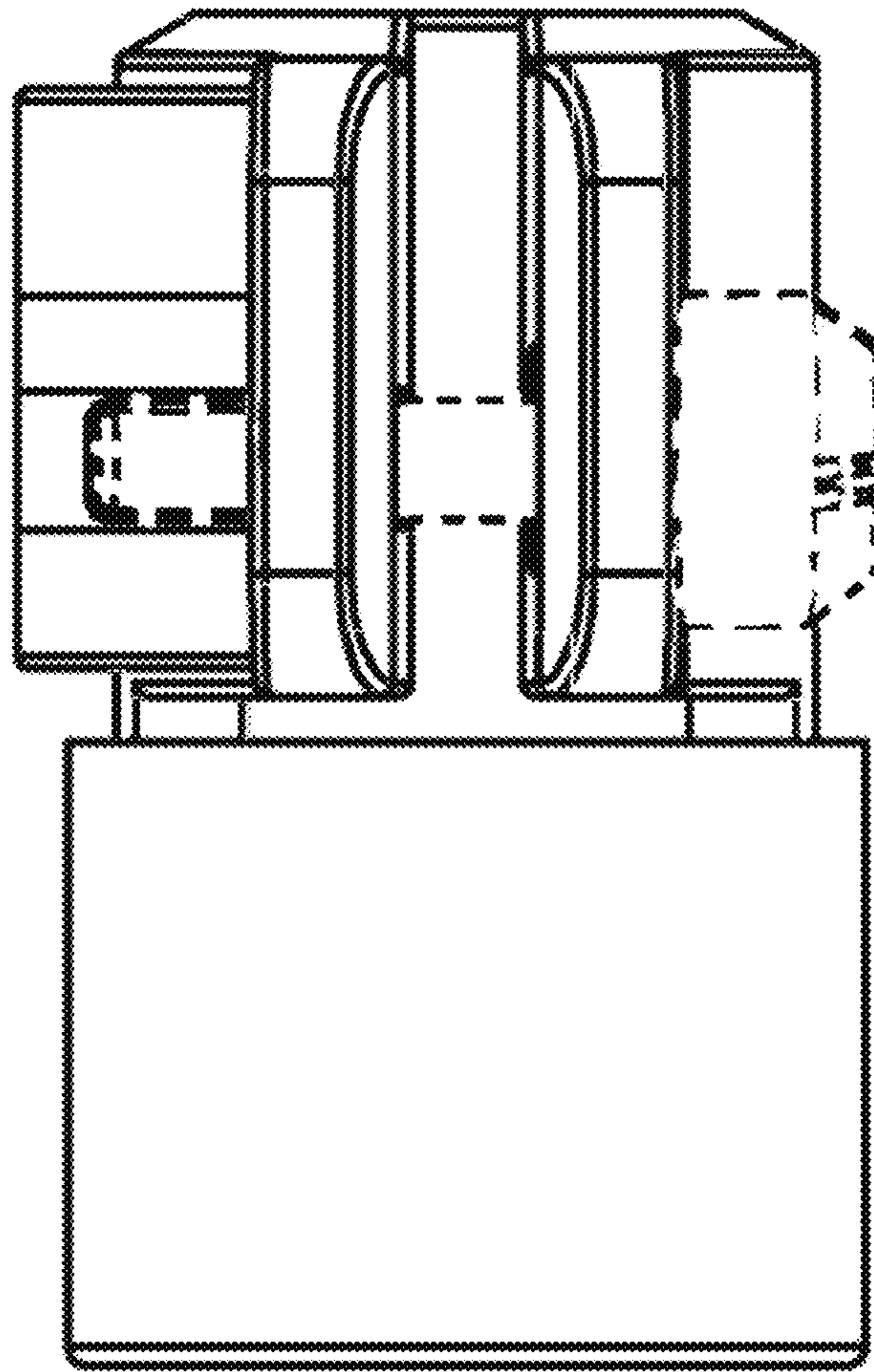
**Fig. 3**



**Fig. 4**

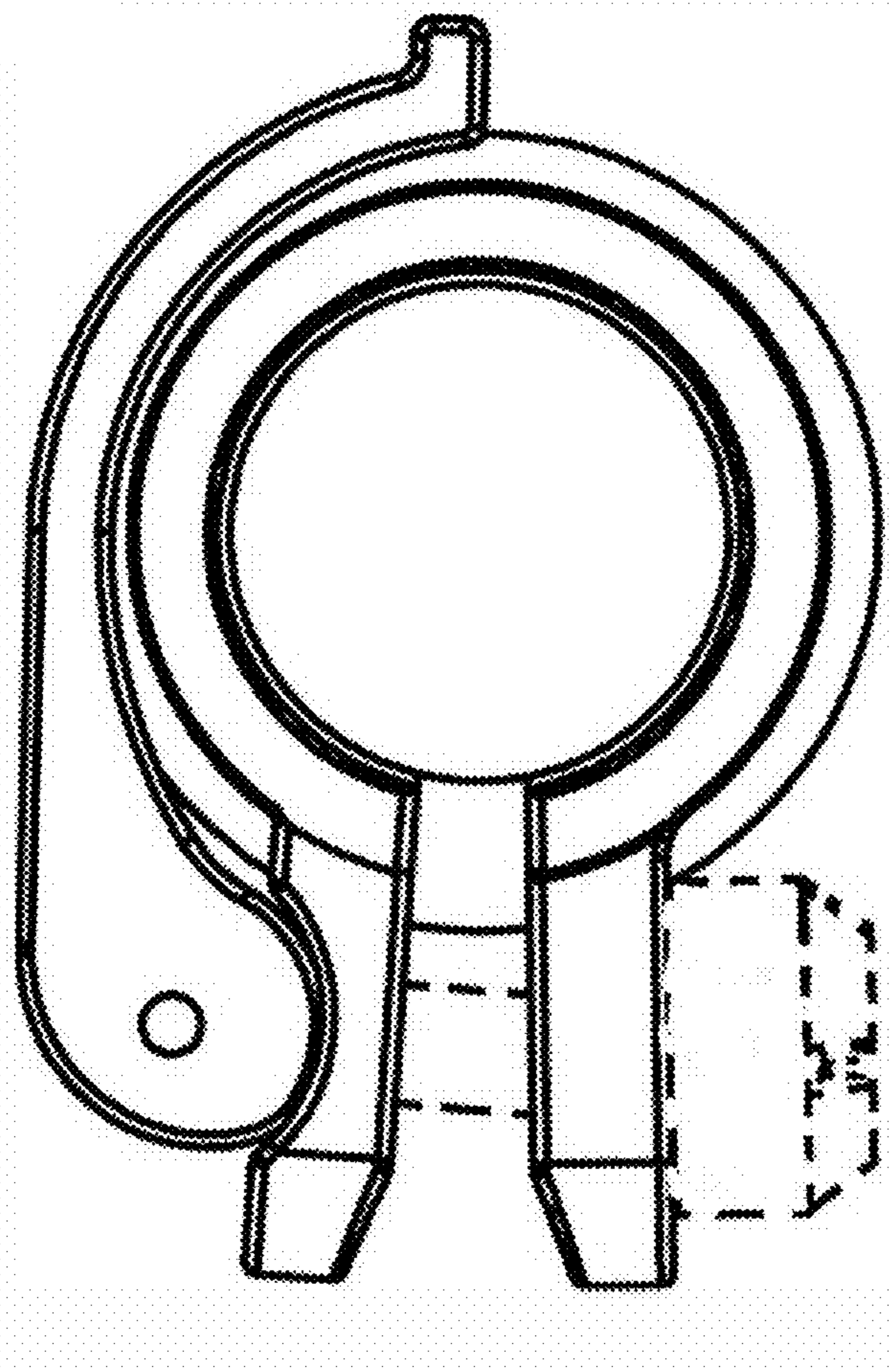


**Fig. 5**

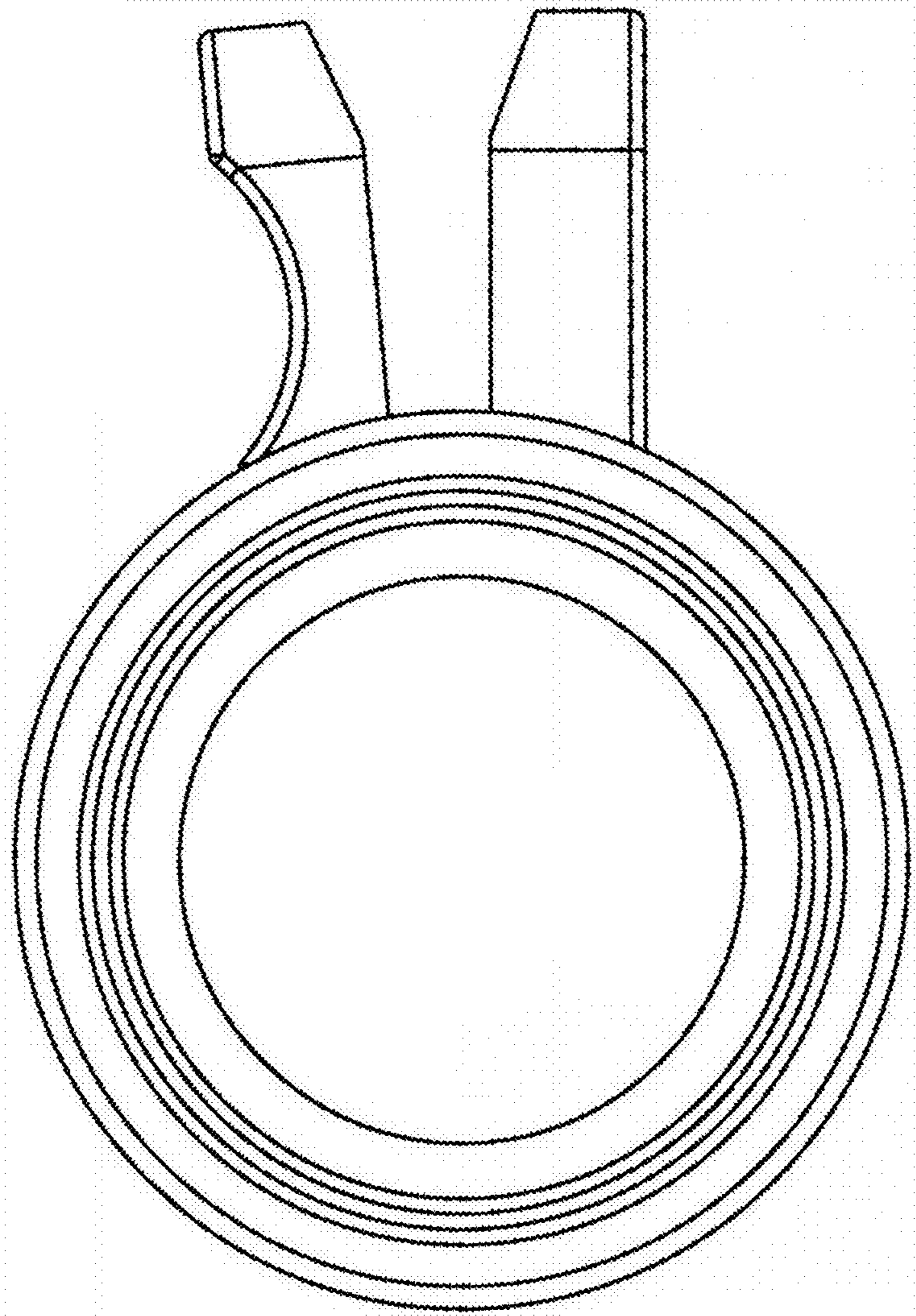


**Fig. 6**

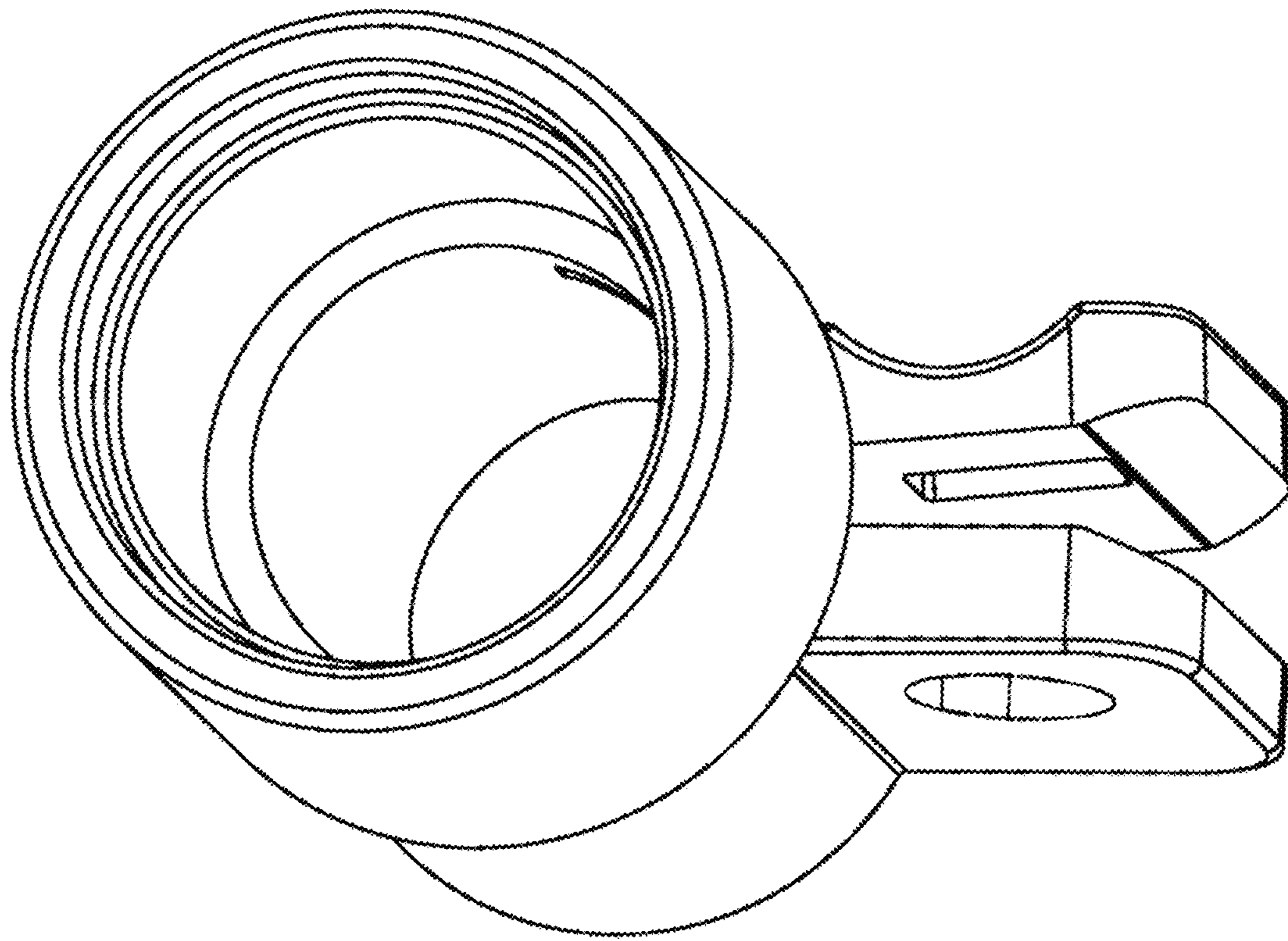




**Fig. 7**



**Fig. 8**



**Fig. 9**