



US00D899239S

(12) **United States Design Patent**  
**Schatzl**

(10) **Patent No.:** **US D899,239 S**  
(45) **Date of Patent:** **\*\* Oct. 20, 2020**

(54) **SCREW**

(71) Applicant: **Arnold & Richter Cine Technik GmbH & Co. Betriebs KG, Munich (DE)**

(72) Inventor: **Gerhard Schatzl, St. Polten (AT)**

(73) Assignee: **Arnold & Richter Cine Technik GmbH & Co. Betriebs KG, Munich (DE)**

(\*\*) Term: **15 Years**

(21) Appl. No.: **29/679,112**

(22) Filed: **Feb. 1, 2019**

(30) **Foreign Application Priority Data**

Oct. 11, 2018 (EM) ..... 005795713

(51) **LOC (12) Cl.** ..... **08-08**

(52) **U.S. Cl.**  
USPC ..... **D8/387**

(58) **Field of Classification Search**

USPC ..... D8/385, 387, 388, 389, 390, 391, 393  
CPC ..... F16B 23/0007; F16B 23/0015; F16B 23/0023; F16B 23/003; F16B 23/0038; F16B 23/0046; F16B 2037/007; F16B 19/02; F16B 35/06; F16B 37/14; F16B 37/145; F16B 33/006; F16B 37/122; F16B 37/127; F16B 37/125; B21K 1/46; B21K 1/463; Y10T 403/75

See application file for complete search history.

(56) **References Cited**

**U.S. PATENT DOCUMENTS**

2,949,142 A \* 8/1960 Sumerak ..... F16B 37/122  
411/180  
D287,819 S \* 1/1987 Bullen ..... D8/385

D622,582 S \* 8/2010 Lottner ..... D8/387  
D678,923 S \* 3/2013 Stolz ..... D15/138  
8,753,227 B1 \* 6/2014 Cackett ..... F16B 35/06  
473/335  
D713,714 S \* 9/2014 Kishida ..... D8/397  
D734,138 S \* 7/2015 Hurrle ..... D8/387  
D735,567 S \* 8/2015 Kishida ..... D8/387  
D739,493 S \* 9/2015 Wyne ..... D23/200  
D741,158 S \* 10/2015 Hasegawa ..... D8/387  
D762,825 S \* 8/2016 Walker ..... D23/259  
9,421,442 B2 \* 8/2016 DiMarco ..... A63B 53/04  
D784,497 S \* 4/2017 Vaz ..... D23/262  
D800,544 S \* 10/2017 Schuit ..... D8/397  
D816,034 S \* 4/2018 Mascher ..... D13/127  
D832,094 S \* 10/2018 Omori ..... D8/397  
D835,978 S \* 12/2018 Ikeda ..... D8/397

(Continued)

*Primary Examiner* — Sandra S Snapp

*Assistant Examiner* — Ieisha N Price

(74) *Attorney, Agent, or Firm* — Dinsmore & Shohl LLP; Cesare Scalfani

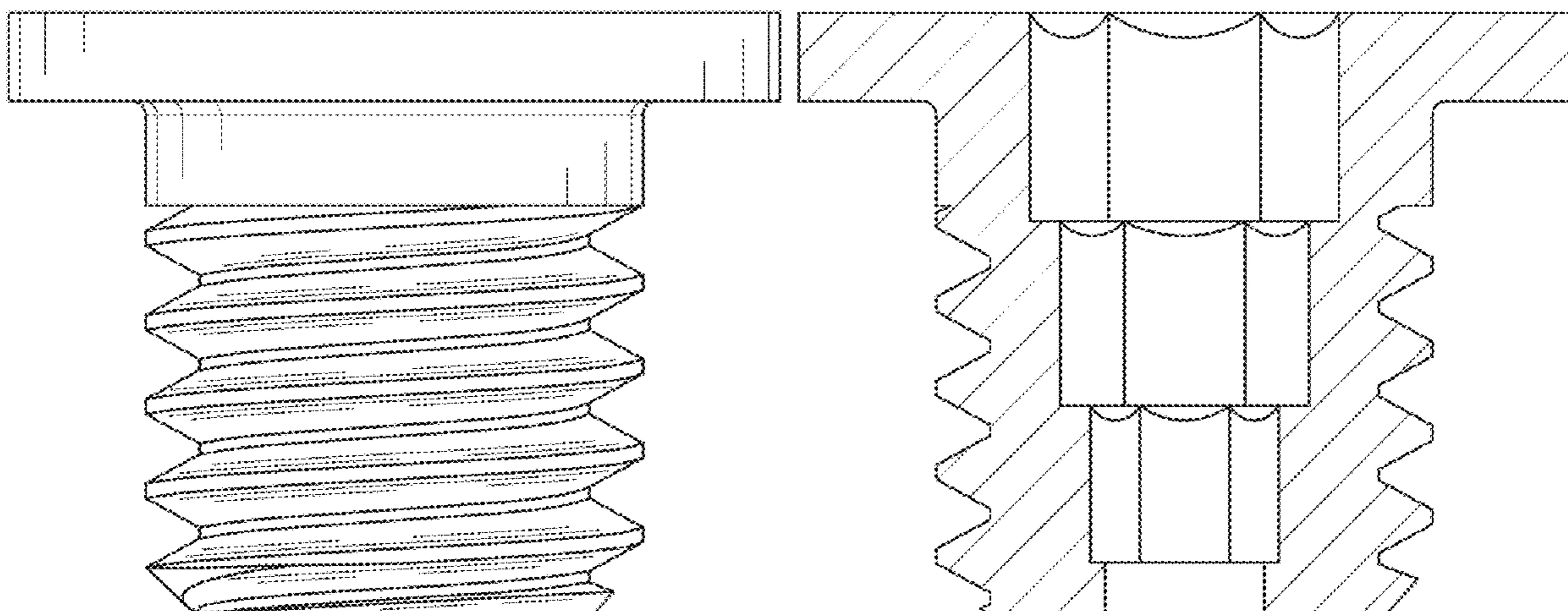
(57) **CLAIM**

The ornamental design for a screw, as shown and described.

**DESCRIPTION**

FIG. 1 is a top plan view of a screw;  
FIG. 2 is a front side view of the screw of FIG. 1;  
FIG. 3 is a cross-sectional view taken along line 3-3 of FIG. 1;  
FIG. 4 is a bottom plan view of the screw of FIG. 1;  
FIG. 5 is a top perspective view of the screw of FIG. 1;  
FIG. 6 is a top left perspective view of the screw of FIG. 1;  
FIG. 7 is a bottom right perspective view of the screw of FIG. 1;  
FIG. 8 is a rear side view of the screw of FIG. 1;  
FIG. 9 is a right side view of the screw of FIG. 1; and,  
FIG. 10 is a bottom left perspective side view of the screw of FIG. 1.

**1 Claim, 2 Drawing Sheets**



(56)

**References Cited**

U.S. PATENT DOCUMENTS

D843,826 S \* 3/2019 Tomei ..... D8/387  
 2002/0021948 A1 \* 2/2002 Stumpf ..... F16B 37/122  
 411/180  
 2005/0098000 A1 \* 5/2005 Brooks ..... B25B 15/008  
 81/439  
 2007/0065253 A1 \* 3/2007 Gemes ..... B25B 15/008  
 411/399  
 2007/0297855 A1 \* 12/2007 Gerlach ..... B29C 45/2622  
 403/408.1  
 2008/0240883 A1 \* 10/2008 Walling ..... F16B 37/125  
 411/178  
 2009/0080998 A1 \* 3/2009 Nagayama ..... F16B 3/06  
 411/432  
 2009/0114652 A1 \* 5/2009 Nilsen ..... F01M 11/04  
 220/288  
 2009/0257843 A1 \* 10/2009 Bentrim ..... F16B 33/006  
 411/103  
 2009/0311069 A1 \* 12/2009 Nagayama ..... B21D 53/24  
 411/104  
 2010/0104396 A1 \* 4/2010 Hama ..... F16B 33/006  
 411/385

2010/0175811 A1 \* 7/2010 Kumai ..... B29C 65/44  
 156/91  
 2010/0303581 A1 \* 12/2010 Eggers ..... F16B 37/122  
 411/304  
 2010/0322738 A1 \* 12/2010 Lau ..... F16B 37/125  
 411/17  
 2011/0268526 A1 \* 11/2011 Wu ..... E21D 21/008  
 411/1  
 2012/0076613 A1 \* 3/2012 Ishida ..... F16B 11/006  
 411/337  
 2012/0174765 A1 \* 7/2012 Kunda ..... F16B 5/025  
 89/36.08  
 2015/0023754 A1 \* 1/2015 Liu ..... F16B 37/125  
 411/103  
 2015/0023757 A1 \* 1/2015 Chang ..... F16B 37/048  
 411/173  
 2015/0125236 A1 \* 5/2015 Lin ..... F16C 19/10  
 411/393  
 2015/0233411 A1 \* 8/2015 Eggers ..... F16B 39/04  
 29/456  
 2016/0115985 A1 \* 4/2016 Jagdale ..... F16N 11/00  
 403/315  
 2017/0370396 A1 \* 12/2017 Kitajima ..... F16B 37/041

\* cited by examiner

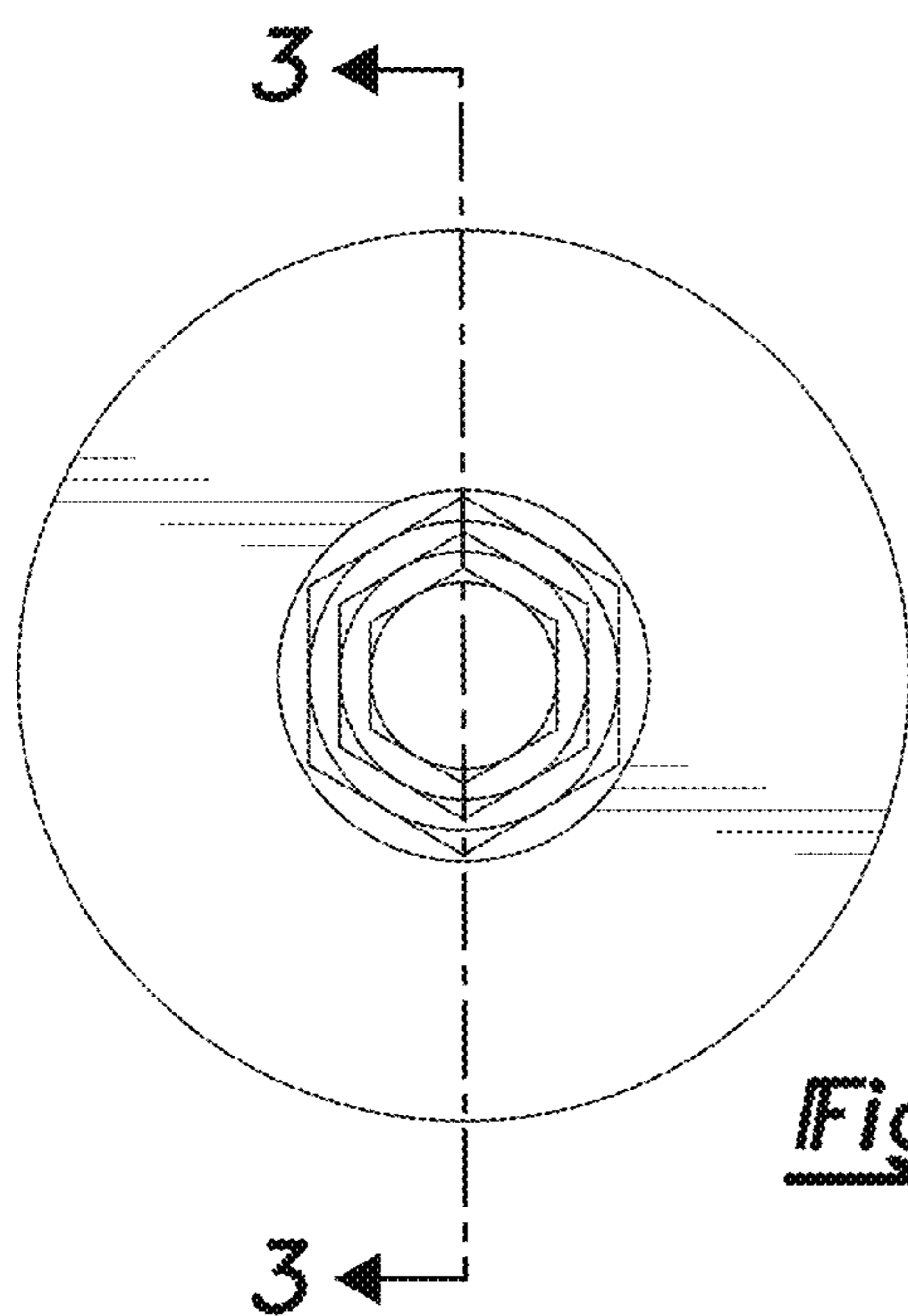


Fig-1

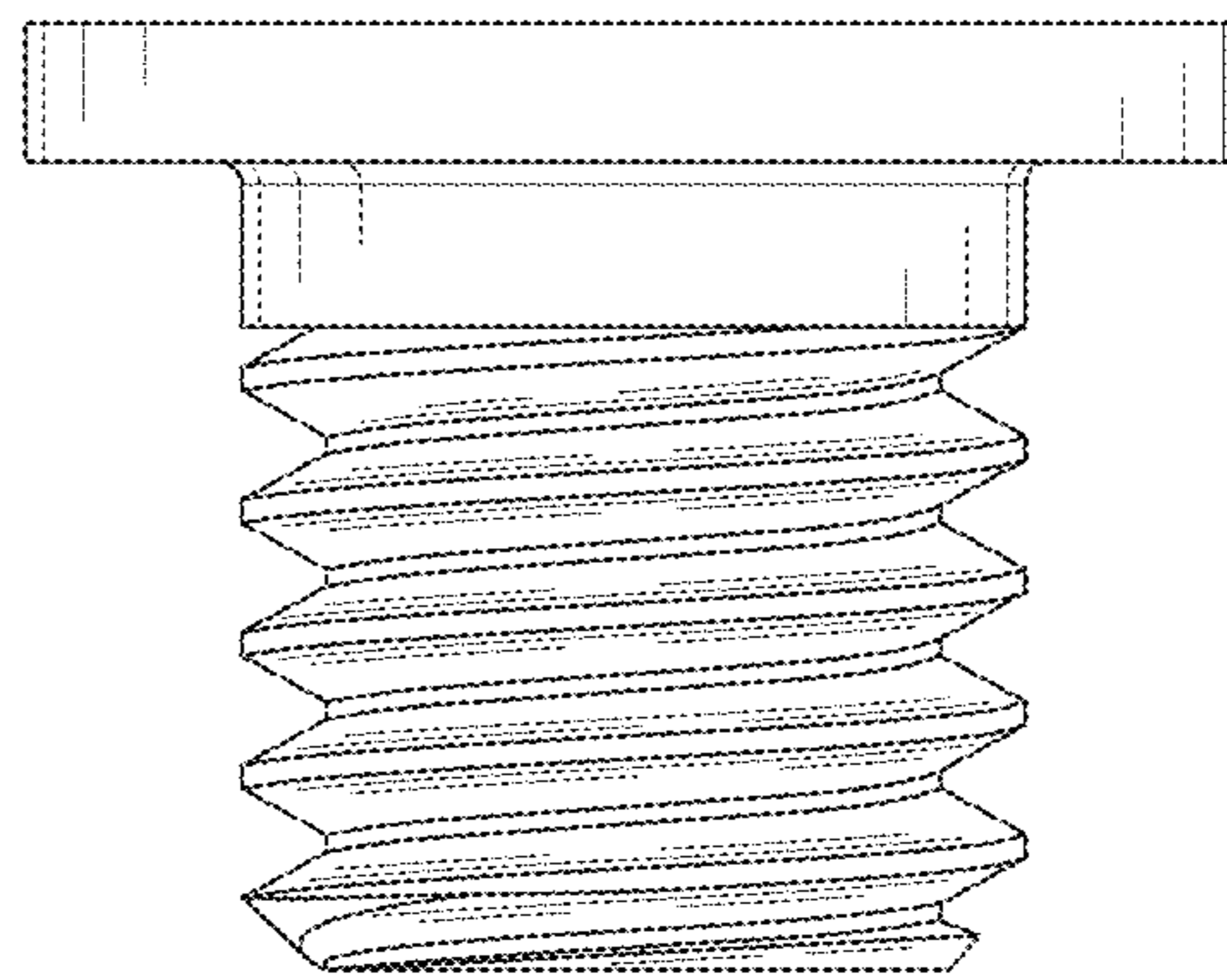


Fig-2

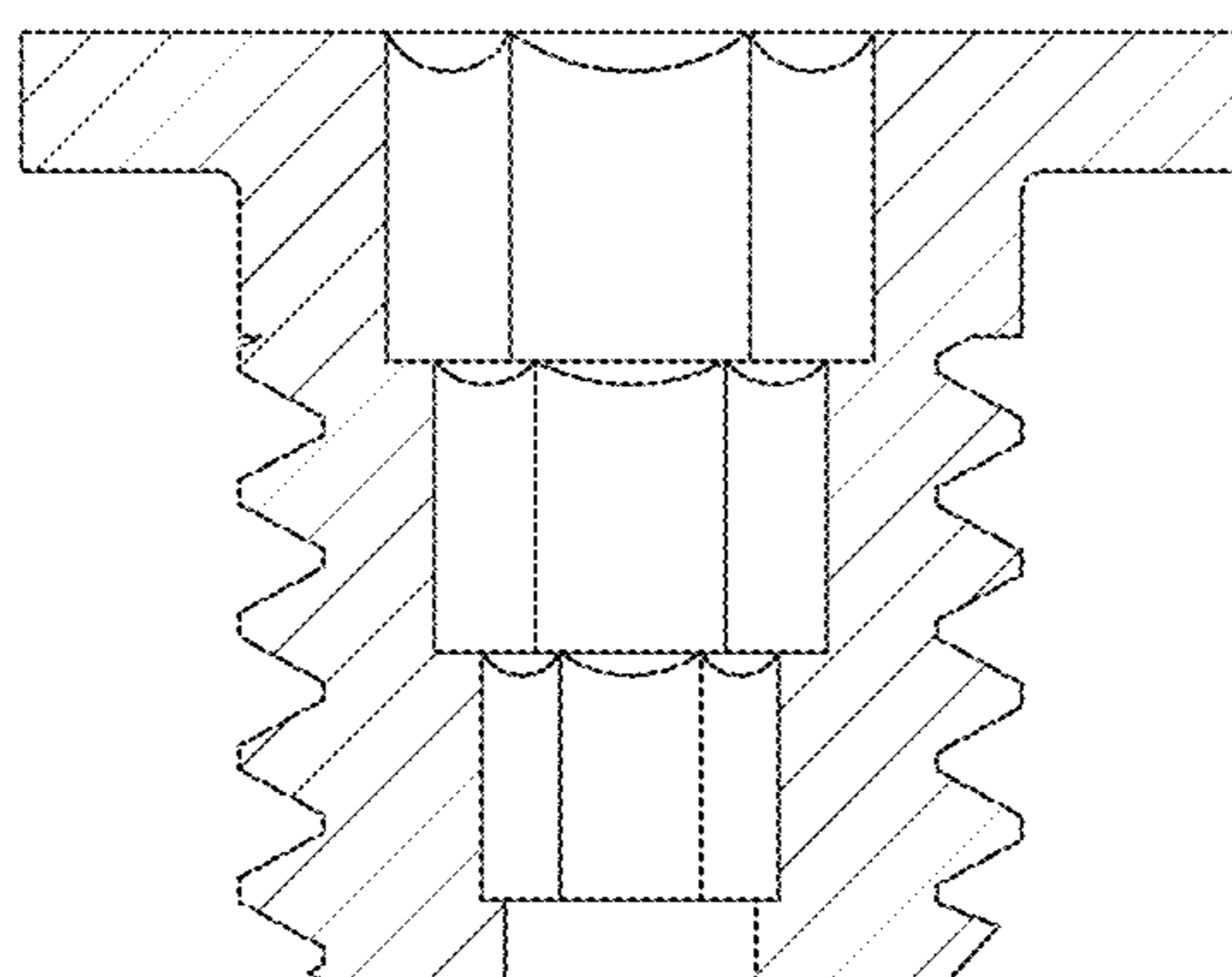


Fig-3

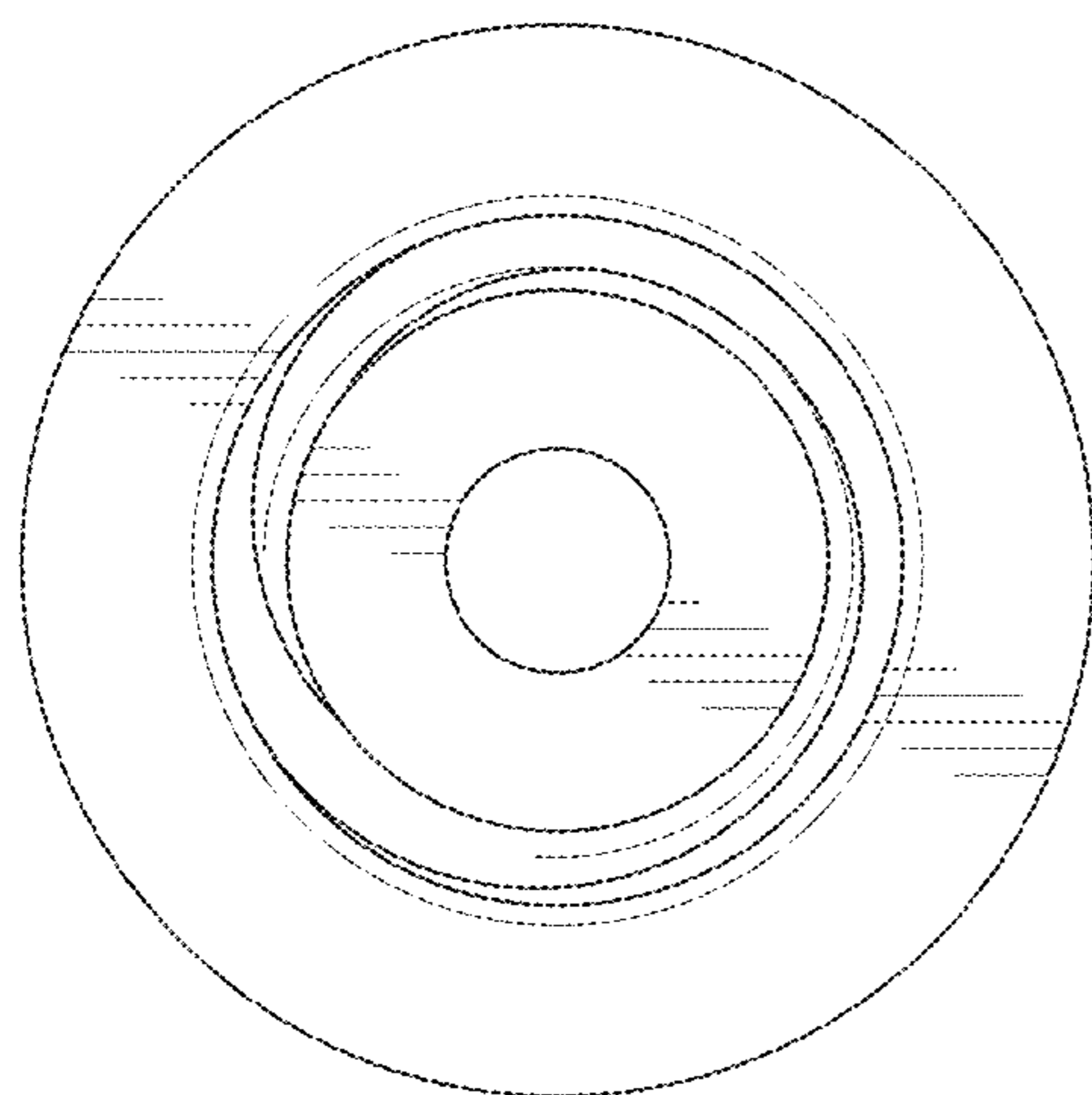


Fig-4

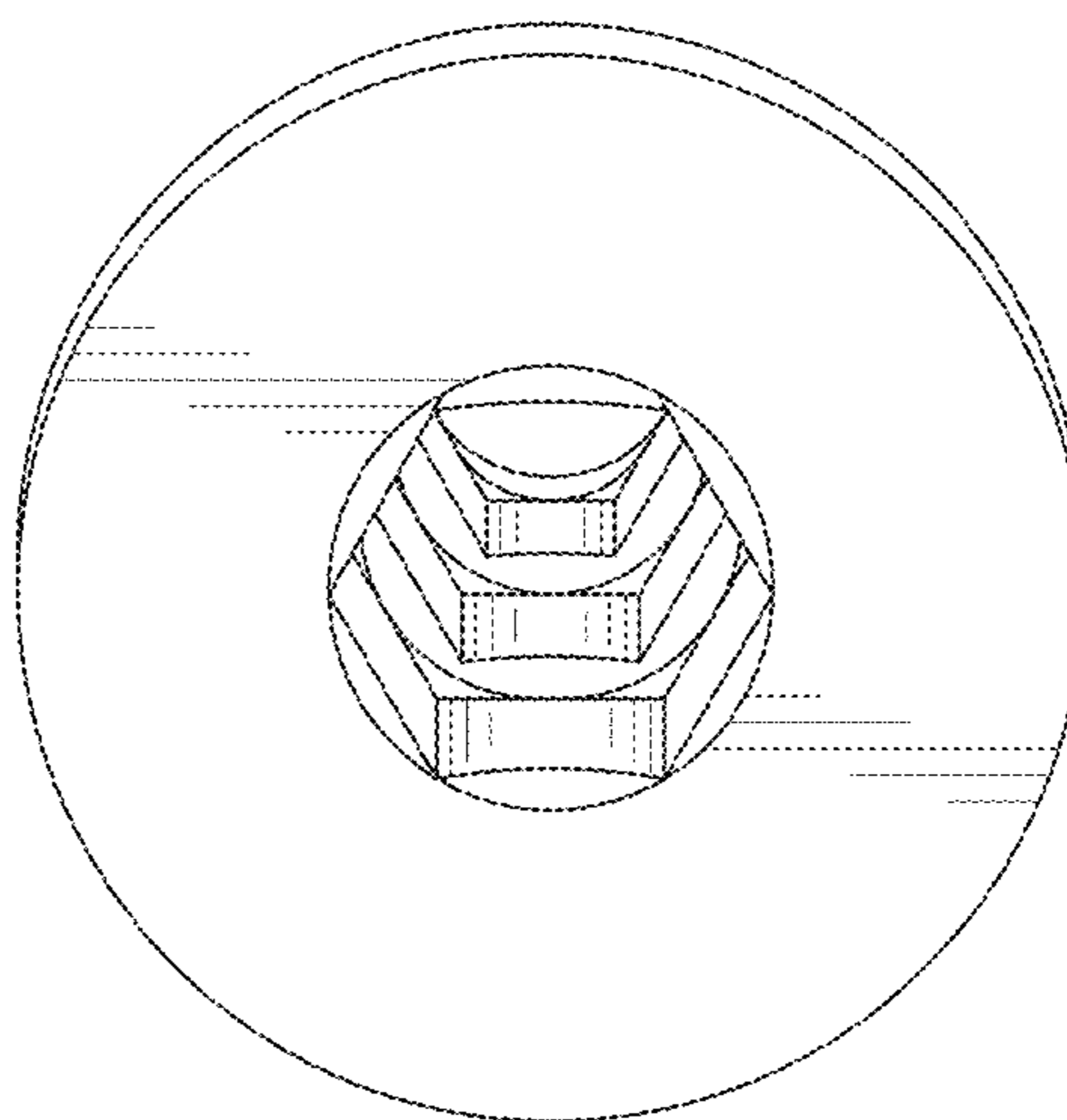


Fig-5

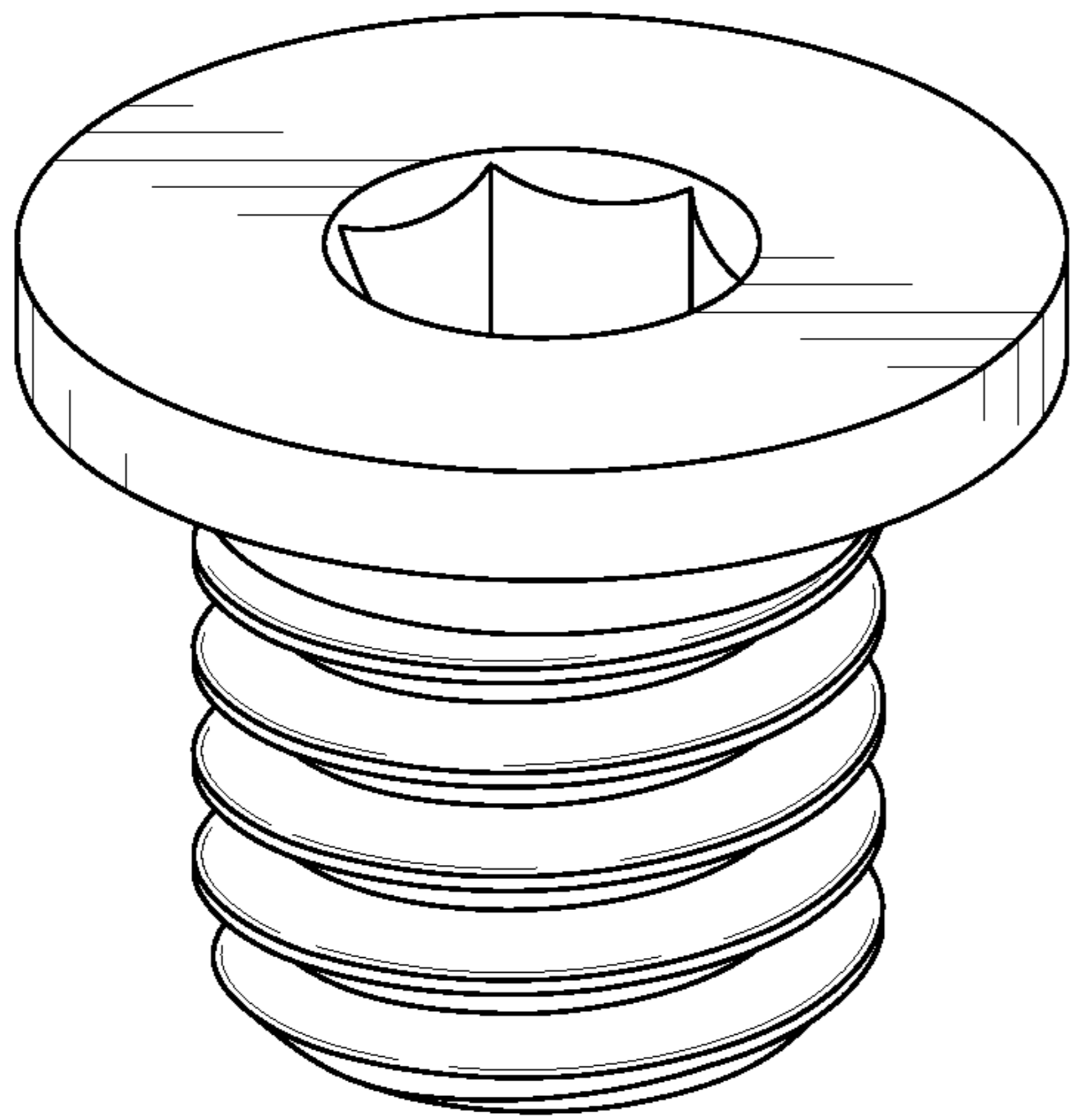


Fig-6

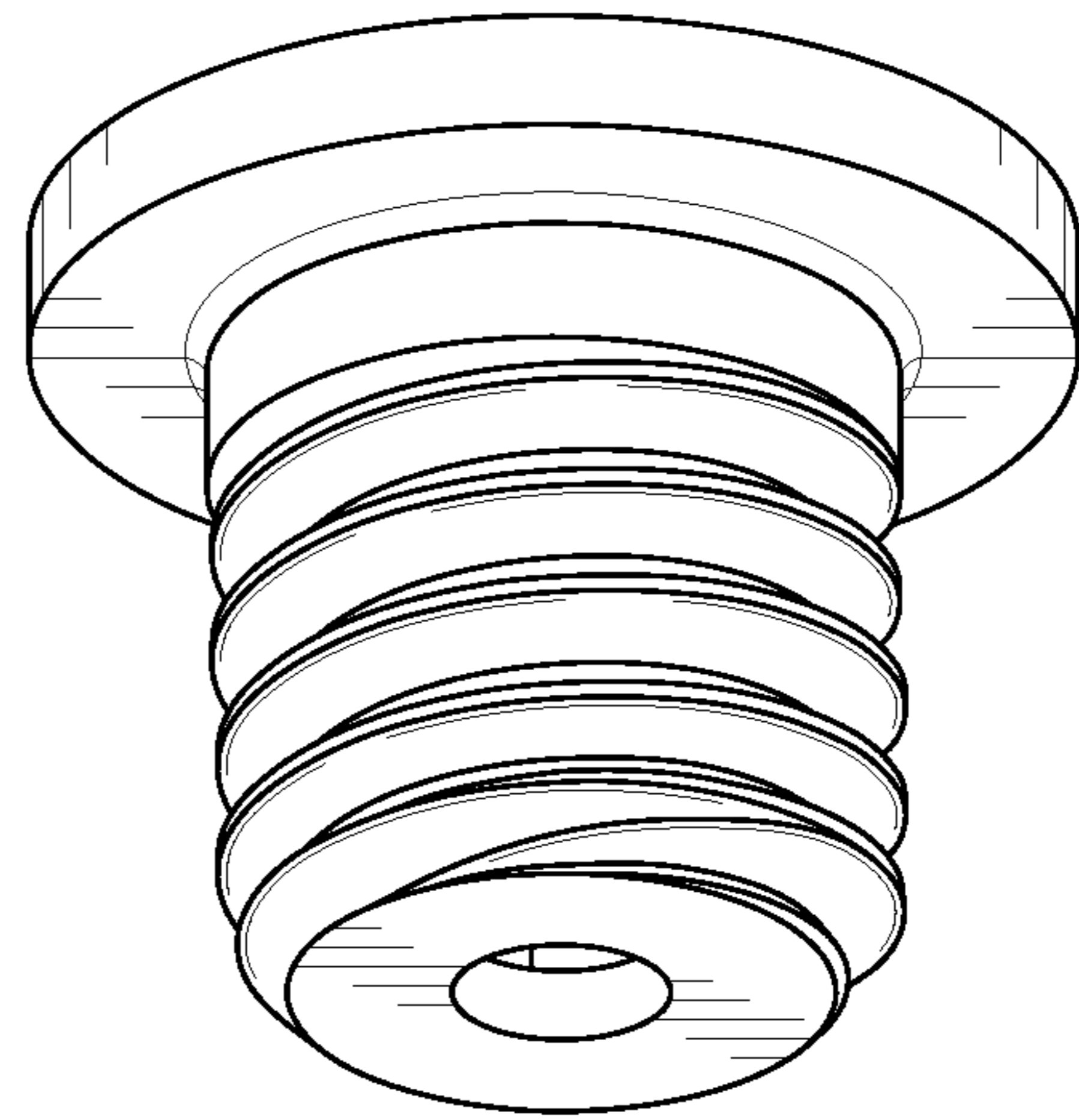


Fig-7

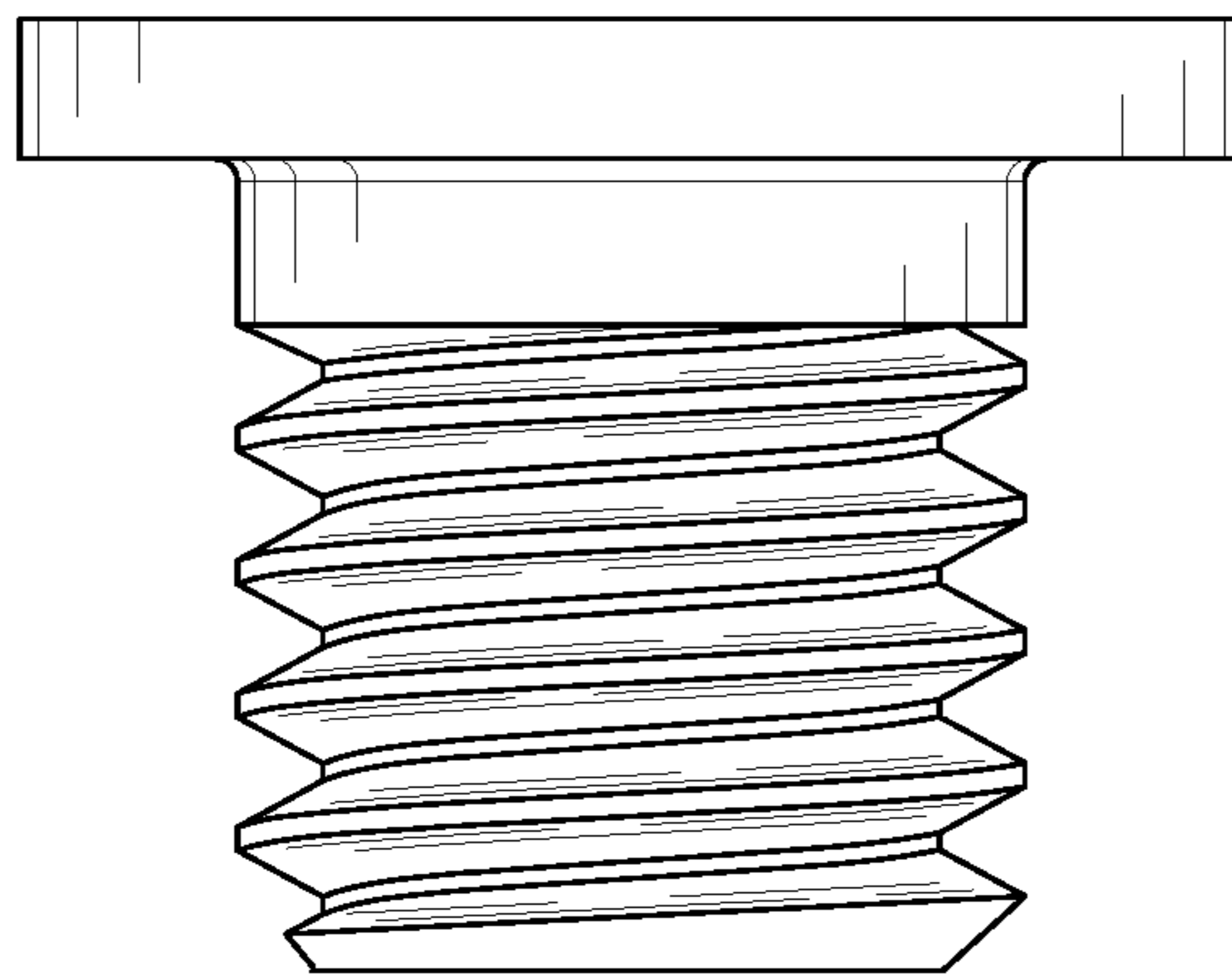


Fig-8

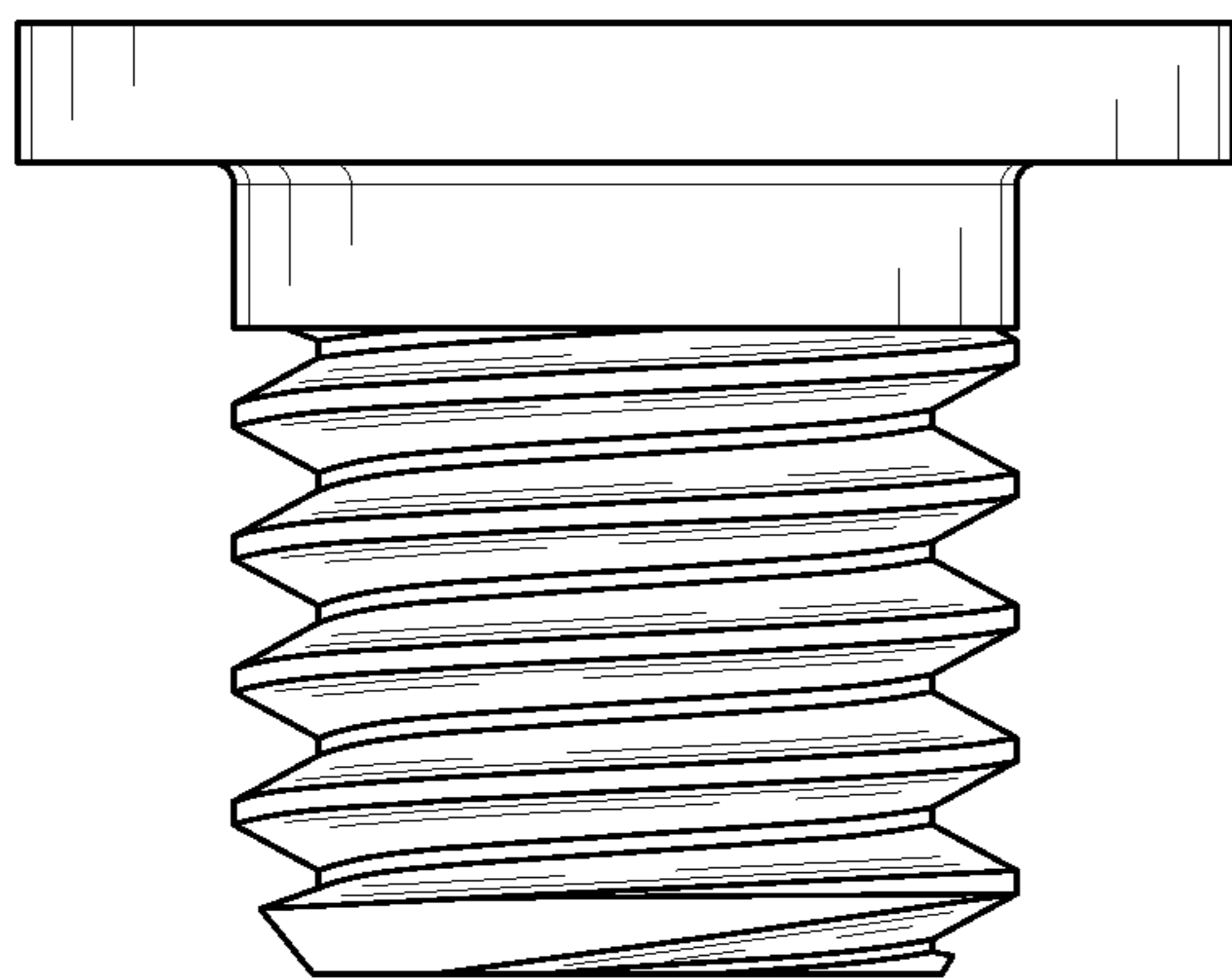


Fig-9

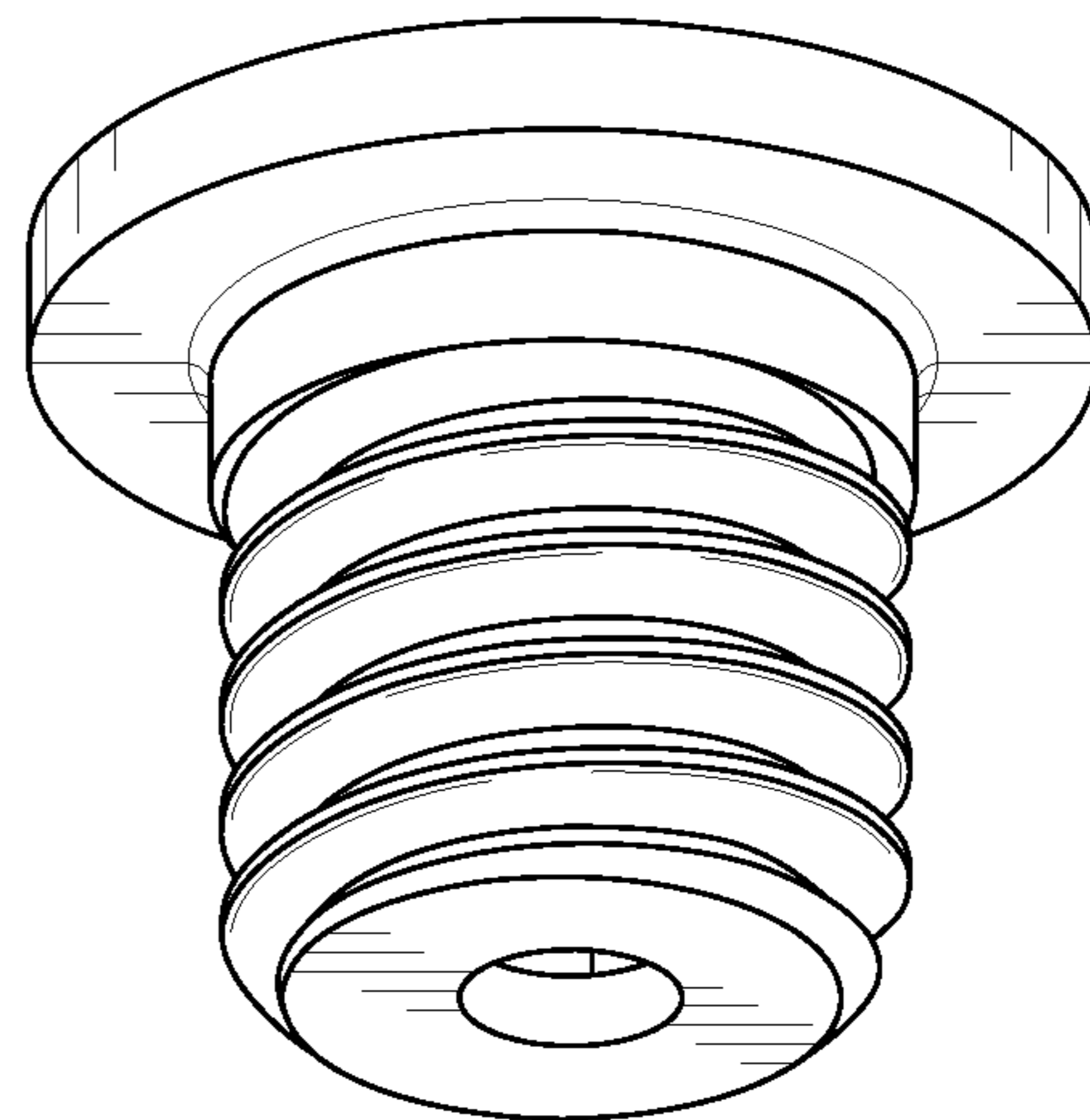


Fig-10