



US00D899237S

(12) **United States Design Patent** (10) **Patent No.:** **US D899,237 S**
Peck et al. (45) **Date of Patent:** **** Oct. 20, 2020**

- (54) **TRAY FASTENER**
- (71) Applicant: **Product Miniature, Inc.**, Pewaukee, WI (US)
- (72) Inventors: **Christopher Peck**, Williams Bay, WI (US); **Craig Fluegge**, Menomonee Falls, WI (US); **Michael Ford**, Brookfield, WI (US)
- (73) Assignee: **Product Miniature, Inc.**, Pewaukee, WI (US)
- (**) Term: **15 Years**
- (21) Appl. No.: **29/695,617**
- (22) Filed: **Jun. 20, 2019**
- (51) **LOC (12) Cl.** **08-08**
- (52) **U.S. Cl.**
USPC **D8/382**
- (58) **Field of Classification Search**
USPC D8/382, 349, 354, 395; D6/702, 704, D6/705, 705.4
CPC A47F 3/14; A47F 3/147; A47F 5/00; A47F 5/0006; A47F 2005/0012; A47F 5/0018; A47F 5/0025; A47F 5/0823; A47F 11/10; A47F 11/06
See application file for complete search history.

- D361,506 S * 8/1995 Rumpel D8/395
D383,380 S * 9/1997 Kempf D13/154
D644,087 S * 8/2011 Gallaty D8/354
D644,088 S * 8/2011 Gallaty D8/354
D763,066 S * 8/2016 Sugimoto D8/382
D781,694 S * 3/2017 Iwata D8/394
D793,784 S * 8/2017 Louthan, Jr. D6/702
D809,909 S * 2/2018 Neoh D8/395
D826,606 S * 8/2018 Louthan, Jr. D6/702
D880,991 S * 4/2020 Netke D8/382
2008/0196222 A1* 8/2008 Park F16B 5/0614
24/530
2019/0387902 A1* 12/2019 Peck F21V 21/35

* cited by examiner

Primary Examiner — Sandra S Snapp
Assistant Examiner — Ieisha N Price
(74) *Attorney, Agent, or Firm* — Boyle Fredrickson, S.C.

(57) **CLAIM**

The ornamental design for a tray fastener, as shown and described.

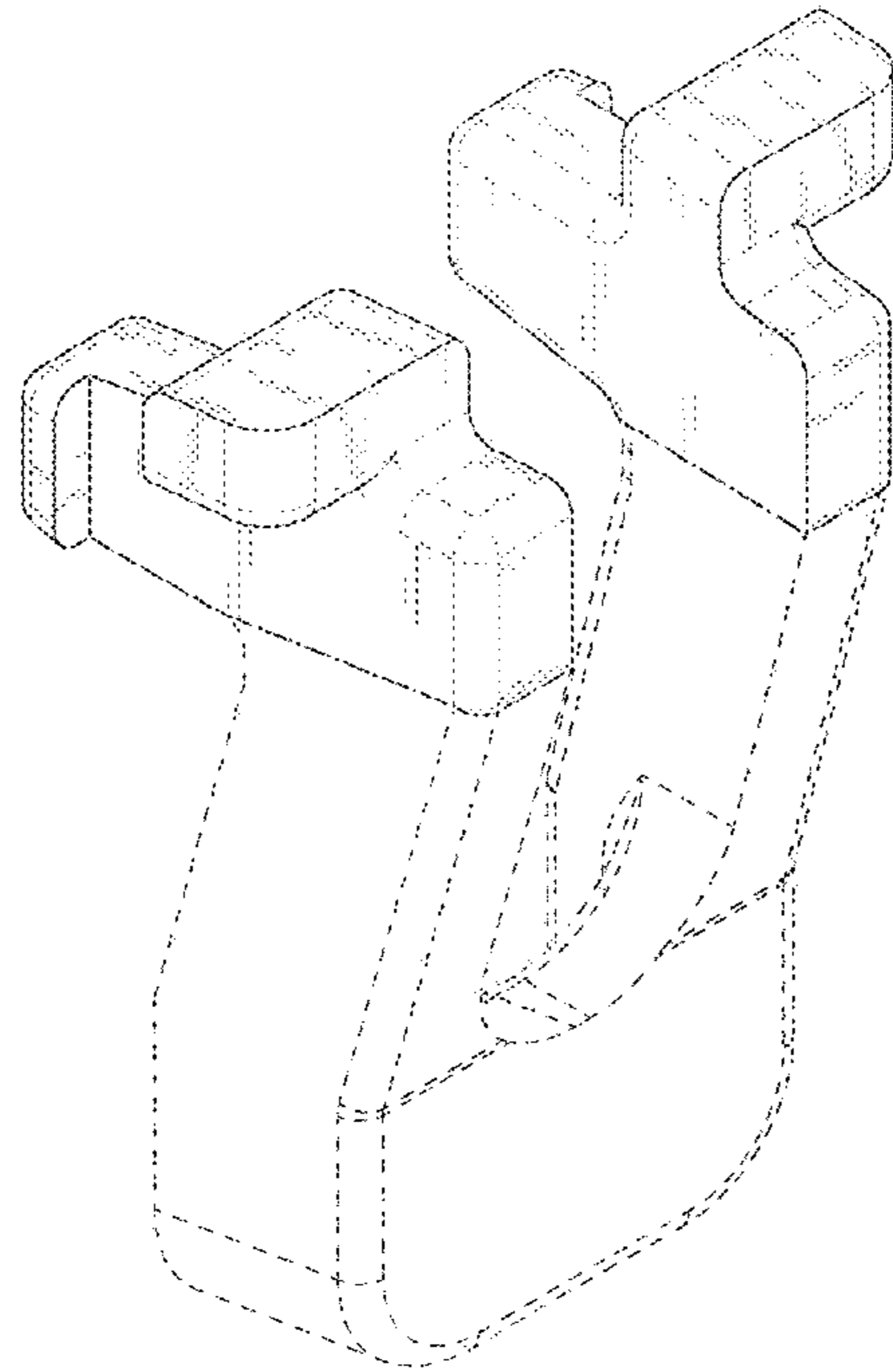
DESCRIPTION

FIG. 1 is a top, front, left isometric view of a tray fastener incorporating our new design;
FIG. 2 is a left side elevation view thereof;
FIG. 3 is a right side elevation view thereof;
FIG. 4 is front end elevation view thereof;
FIG. 5 is a rear end elevation view thereof;
FIG. 6 is a top plan view thereof; and,
FIG. 7 is a bottom plan view thereof.

The broken lines in the drawings illustrate portions of the tray fastener and form no part of the claimed design. The dot-dash-dot broken lines in the drawings define the bounds of the claim and form no part thereof.

- (56) **References Cited**
- U.S. PATENT DOCUMENTS
- 3,421,187 A * 1/1969 Ryder F16L 3/2235
403/391
4,389,759 A * 6/1983 Yuda F16B 21/06
24/297
D277,934 S * 3/1985 Beckrot D8/382

1 Claim, 7 Drawing Sheets



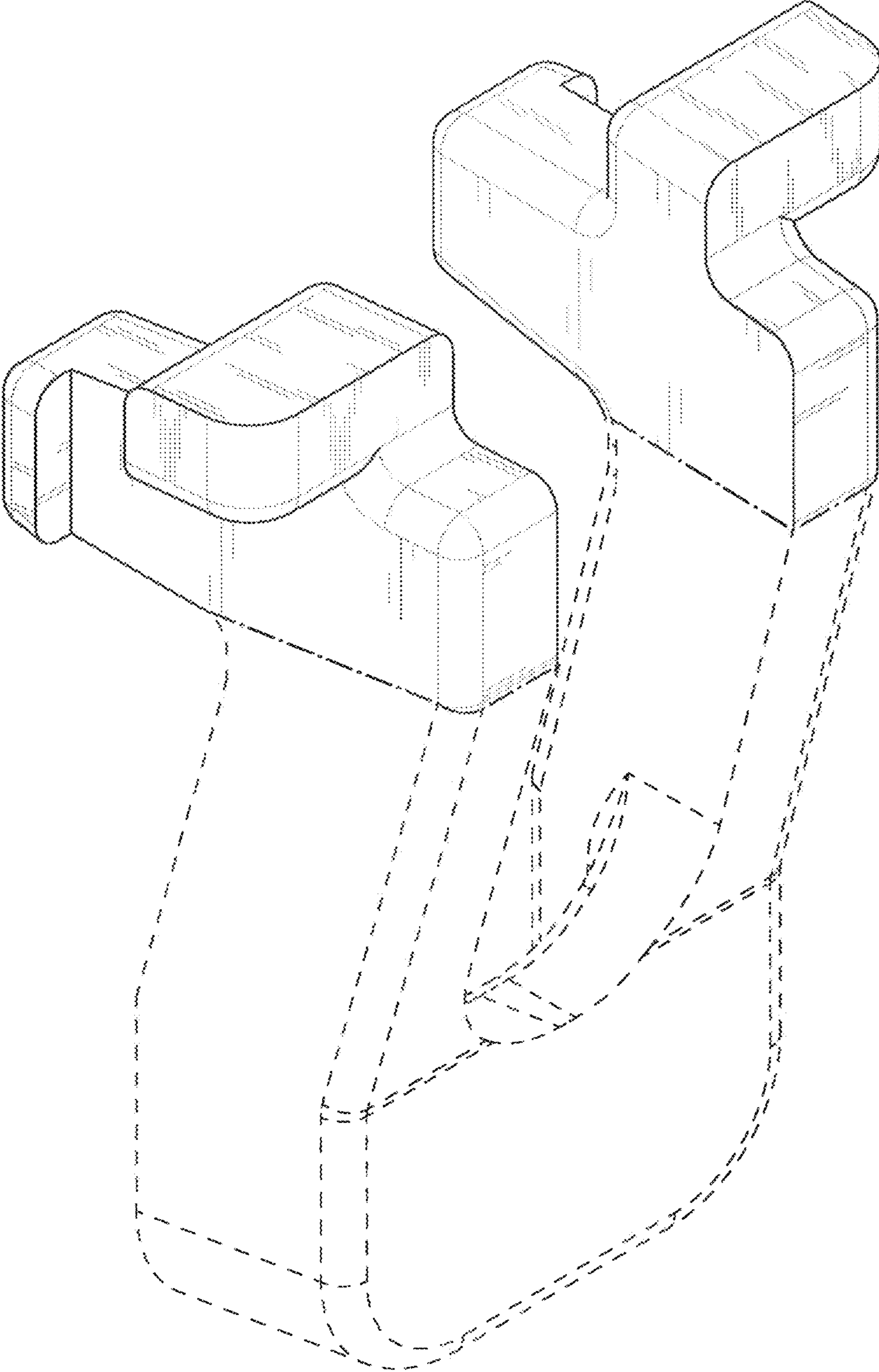


FIG. 1

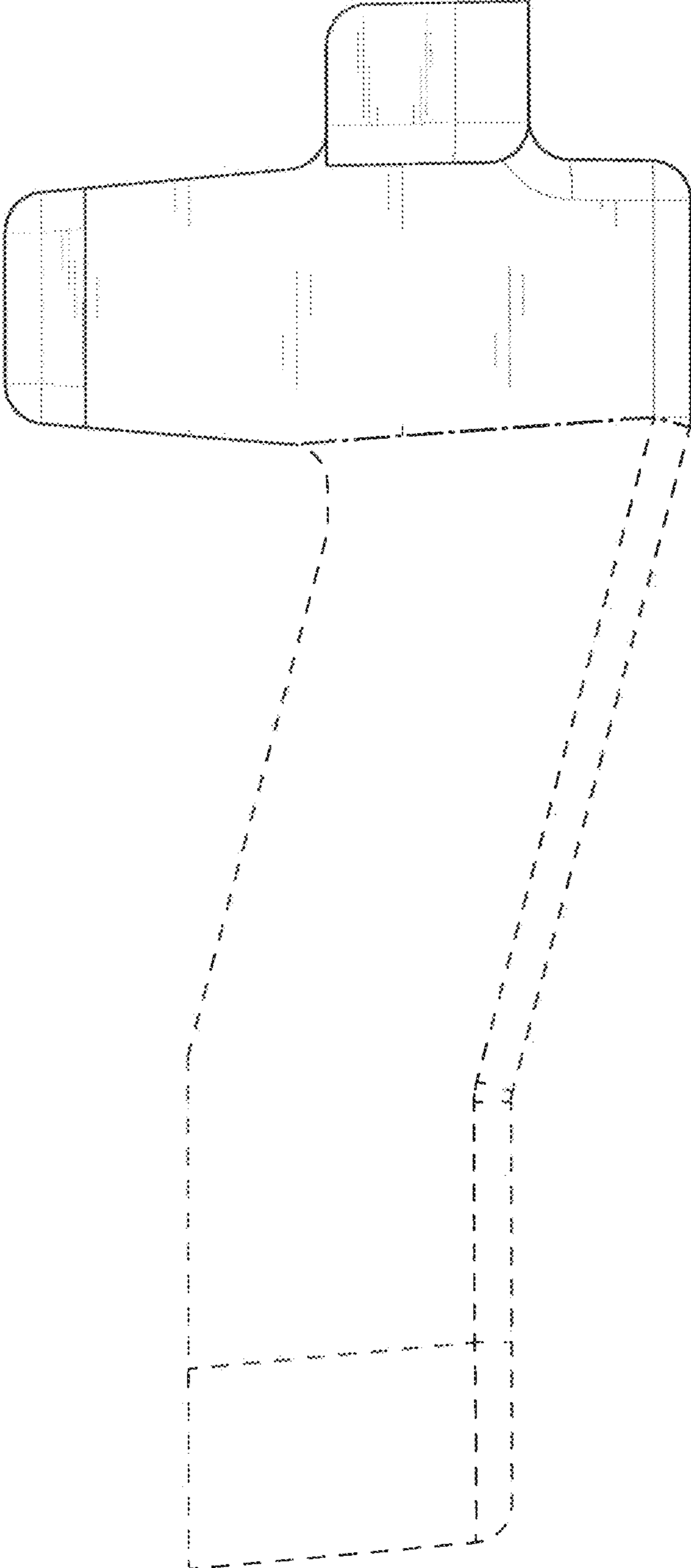


FIG. 2

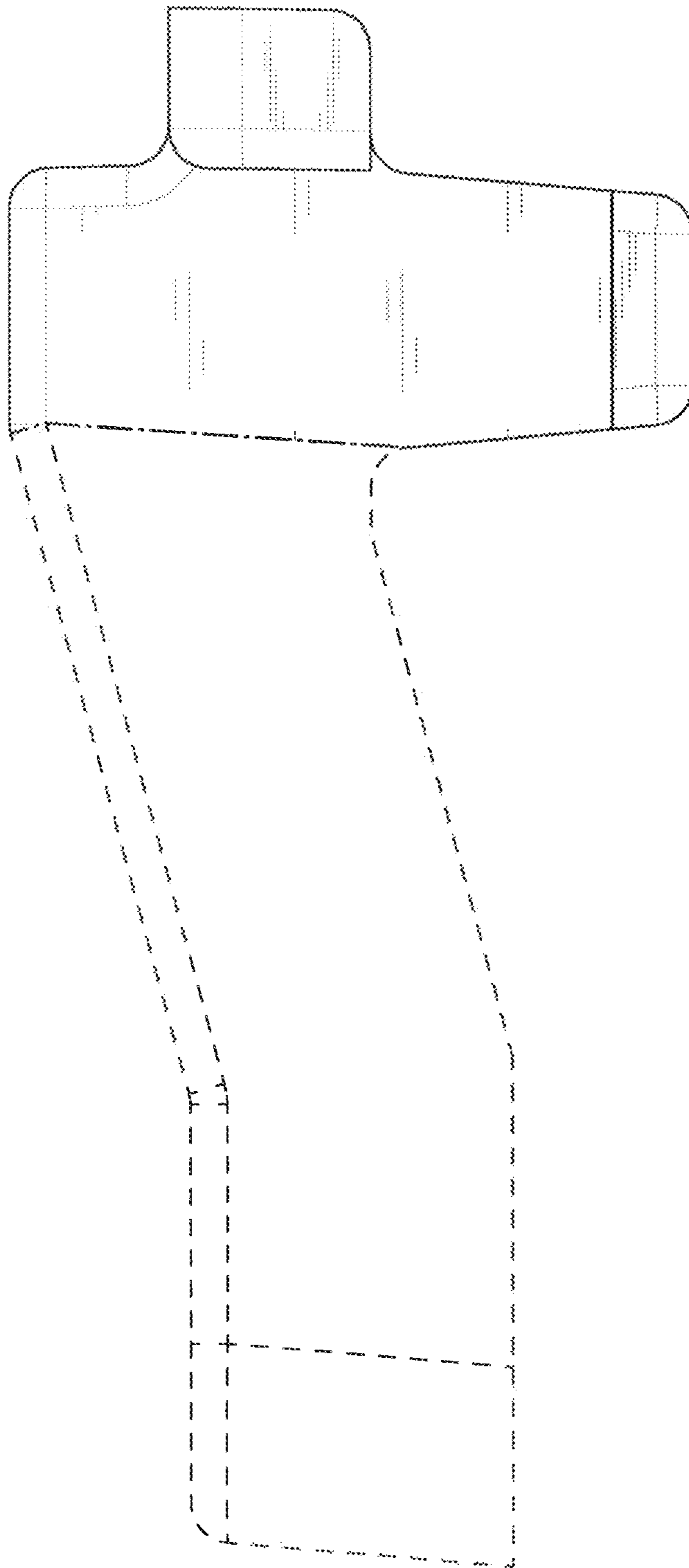


FIG. 3

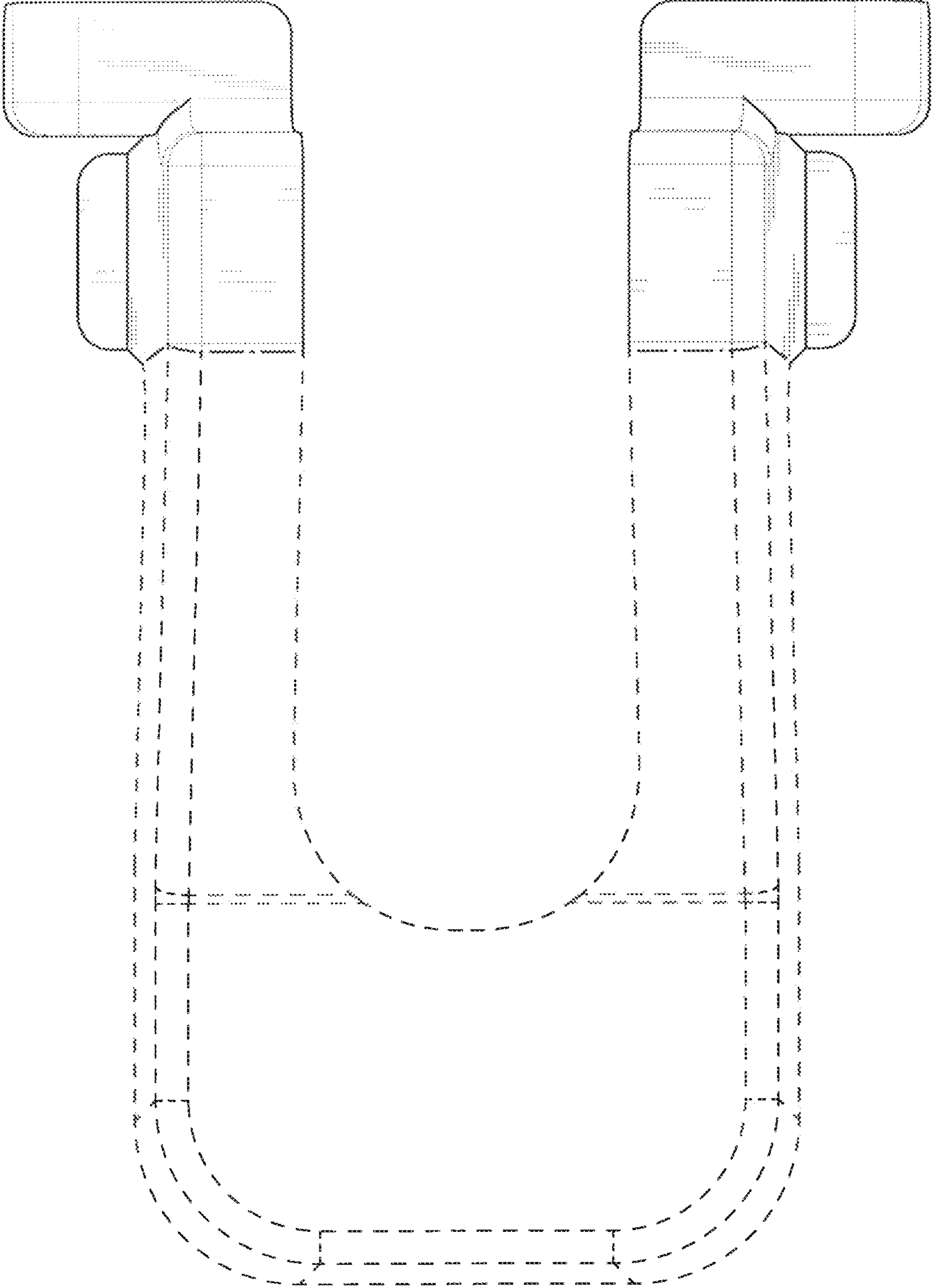


FIG. 4

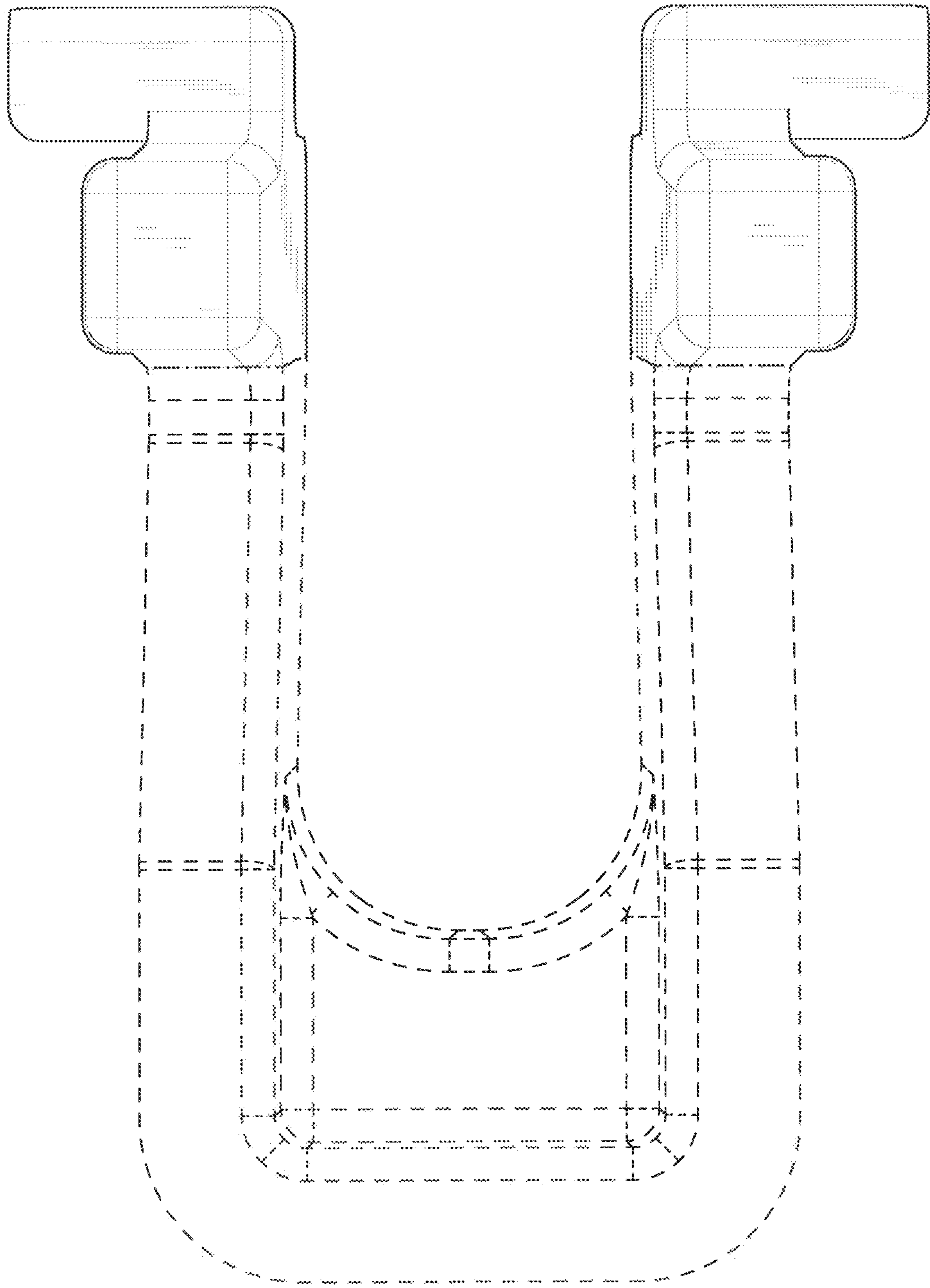


FIG. 5

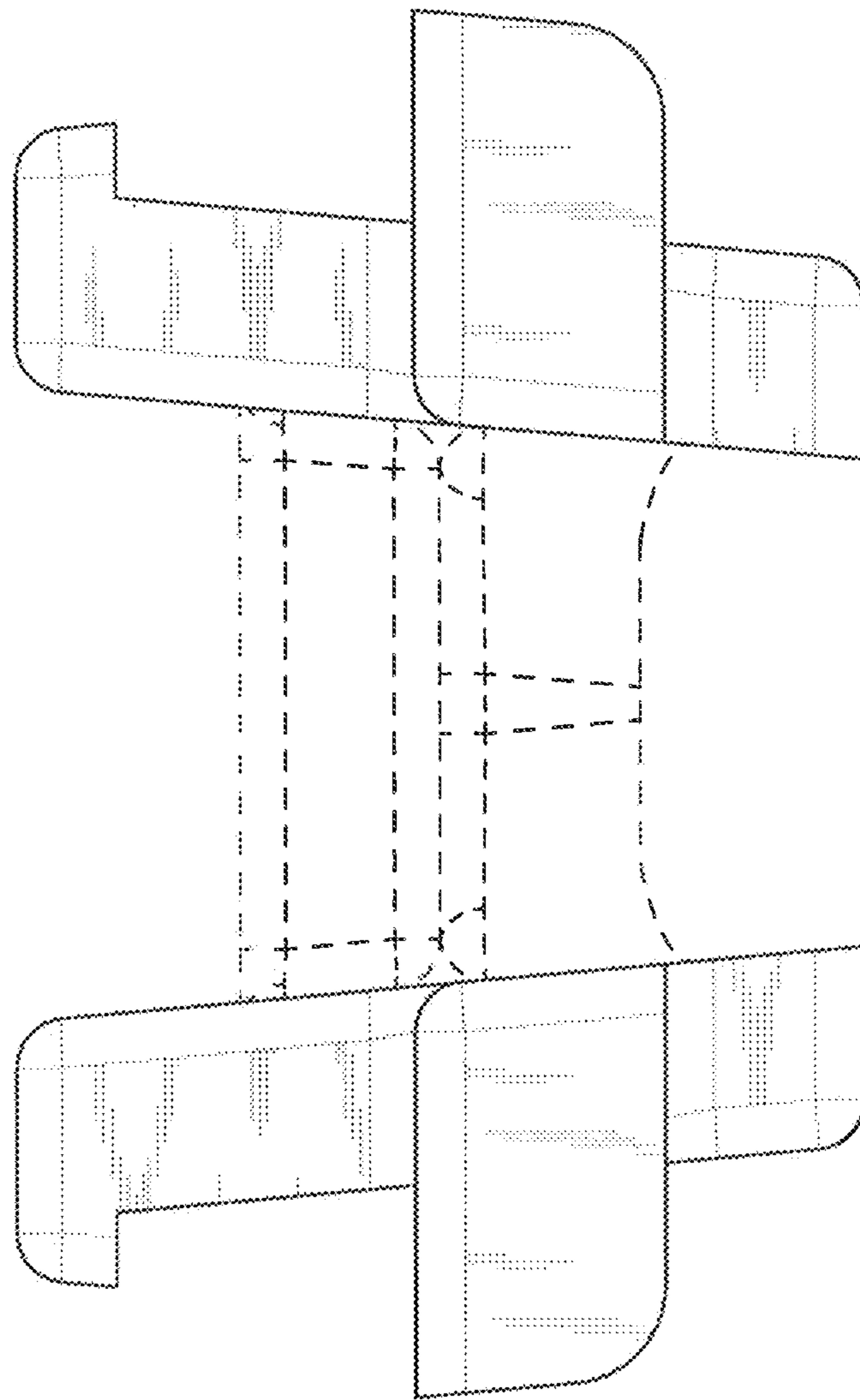


FIG. 6

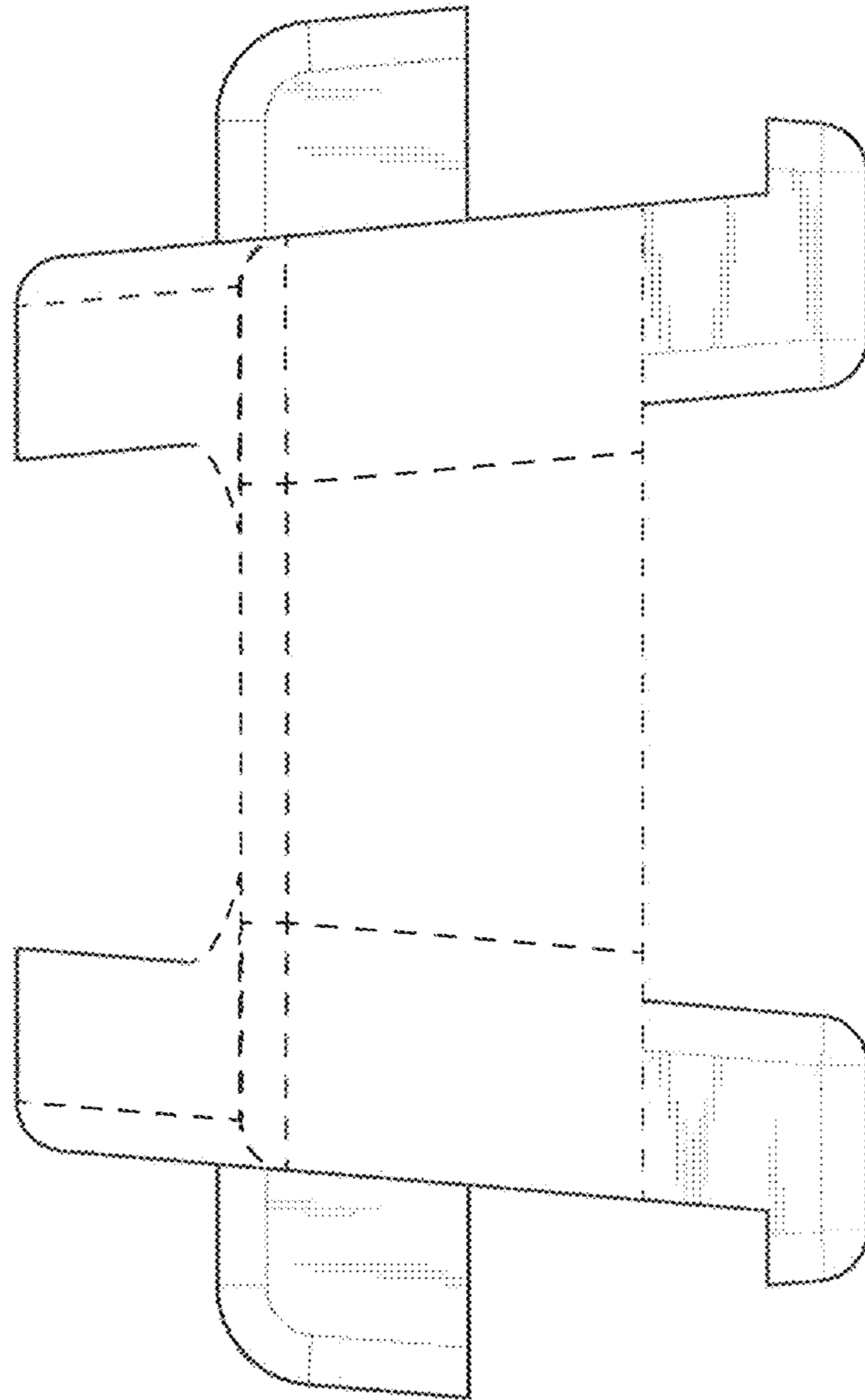


FIG.7