



US00D899235S

(12) **United States Design Patent**
Jones et al.

(10) **Patent No.:** **US D899,235 S**

(45) **Date of Patent:** **** Oct. 20, 2020**

(54) **HOLDER UNIT FOR A MOBILITY DEVICE**

(71) Applicant: **FFORA, Inc.**, Brooklyn, NY (US)

(72) Inventors: **Lucy Jones**, Brooklyn, NY (US);
Joonas Kyoestilae, Brooklyn, NY (US)

(73) Assignee: **FFORA, Inc.**, Brooklyn, NY (US)

(**) Term: **15 Years**

(21) Appl. No.: **29/677,941**

(22) Filed: **Jan. 24, 2019**

(51) **LOC (12) Cl.** **08-05**

(52) **U.S. Cl.**
USPC **D8/380**

(58) **Field of Classification Search**
USPC D3/318
See application file for complete search history.

(56) **References Cited**

U.S. PATENT DOCUMENTS

D319,573 S *	9/1991	Rogers	D8/380
D326,603 S *	6/1992	Rogers	D6/323
D423,917 S *	5/2000	Remmers	D8/380
6,565,054 B2 *	5/2003	Weesner	A61M 5/008 248/229.17

D489,798 S * 5/2004 Hunt D23/304

* cited by examiner

Primary Examiner — Holly H Baynham

(74) *Attorney, Agent, or Firm* — Myers Wolin, LLC

(57) **CLAIM**

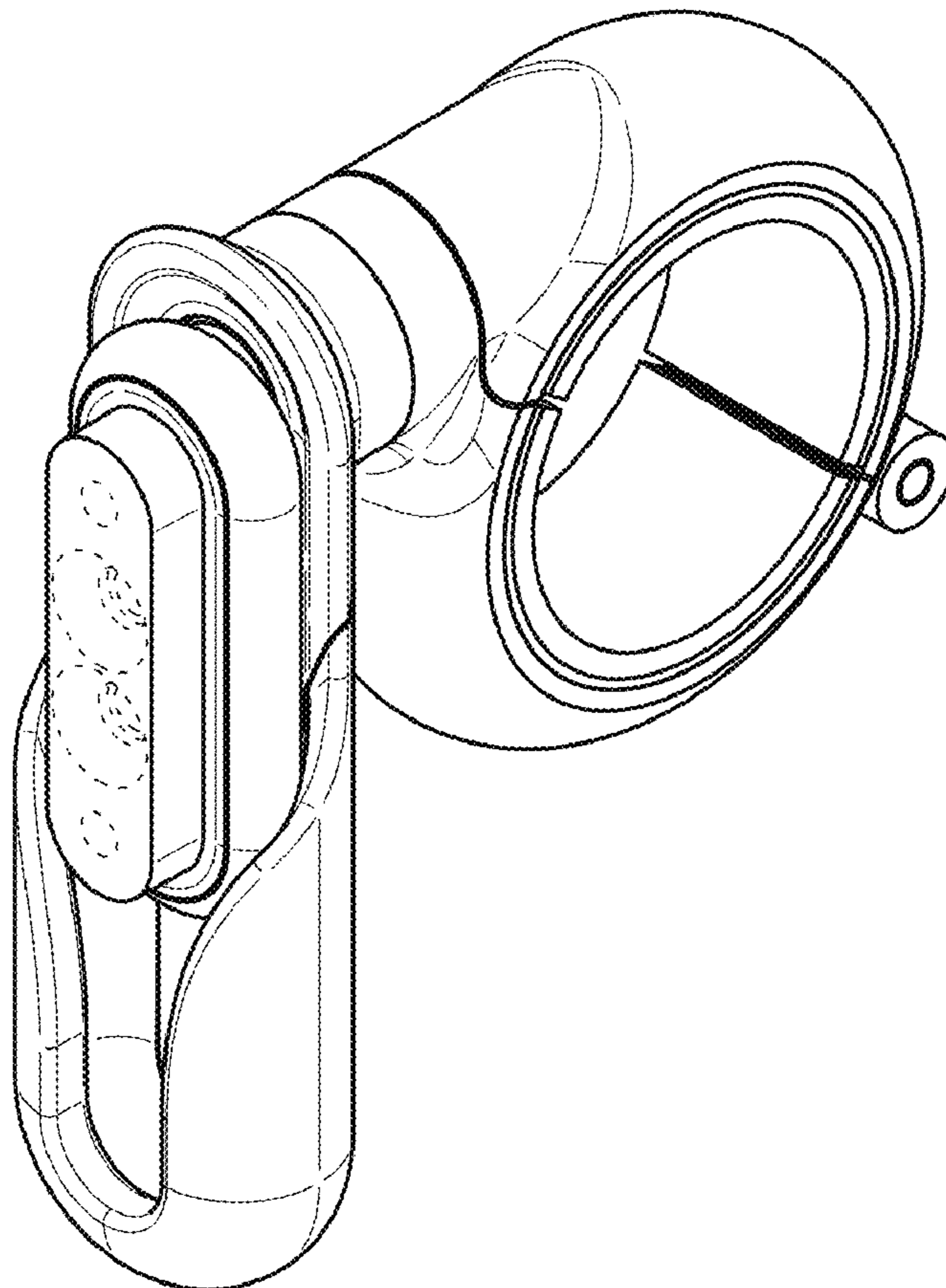
The ornamental design for a holder unit for a mobility device, as shown and described.

DESCRIPTION

FIG. 1 is an upper perspective view of one embodiment of a holder unit for a mobility device showing my new design; FIG. 2 is a lower perspective view thereof taken from a different orientation; FIG. 3 is a front view thereof; FIG. 4 is a side view thereof, the opposite side view being identical thereto; FIG. 5 is a back view thereof; FIG. 6 is a top view thereof; FIG. 7 is a bottom view thereof; FIG. 8 is a front view thereof with the holder unit for a mobility device shown in a different configuration; and, FIG. 9 is an upper perspective view thereof with the component being shown in the different configuration.

The broken lines are for illustrative purposes only and form no part of the claimed design.

1 Claim, 4 Drawing Sheets



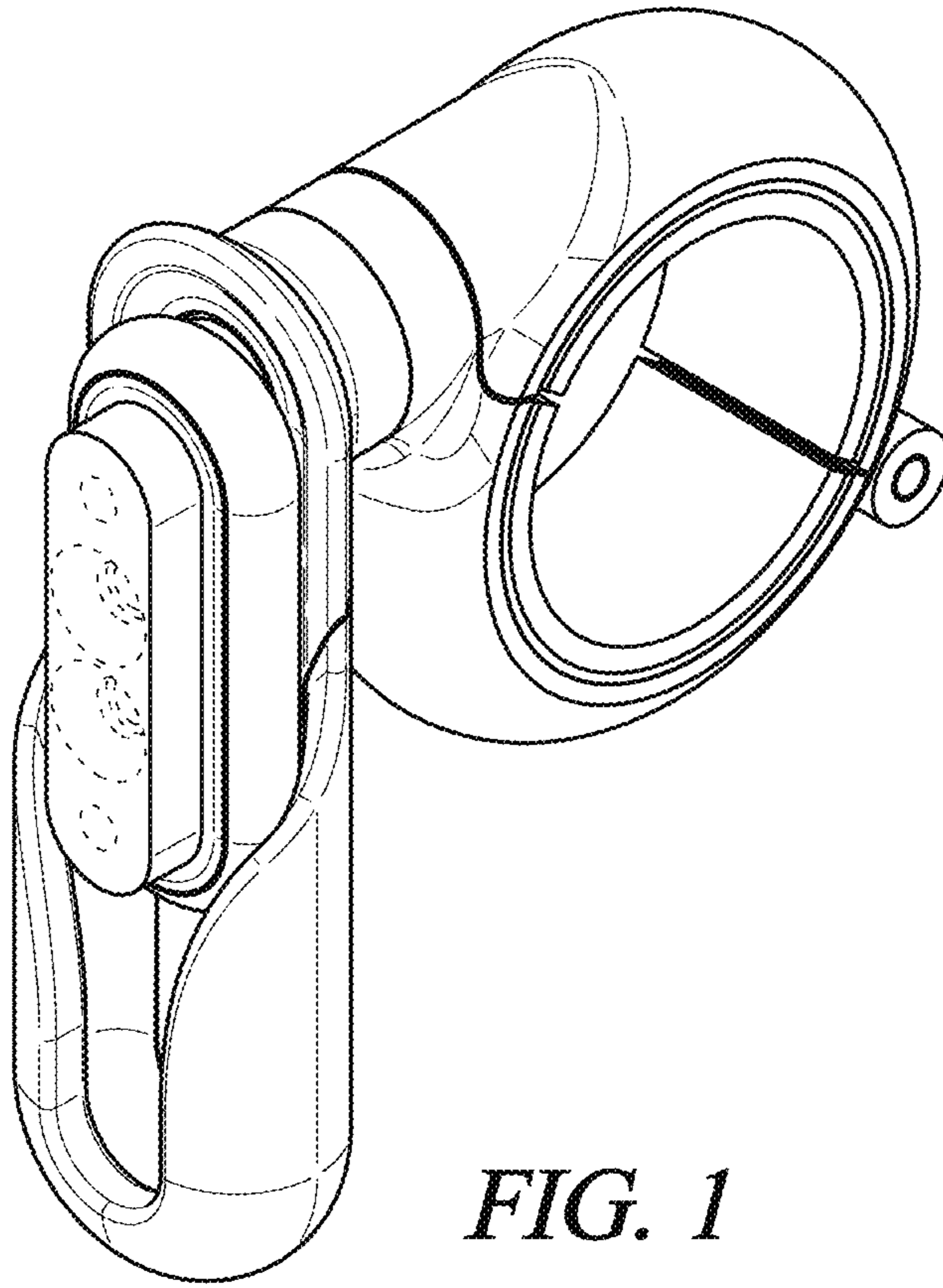


FIG. 1

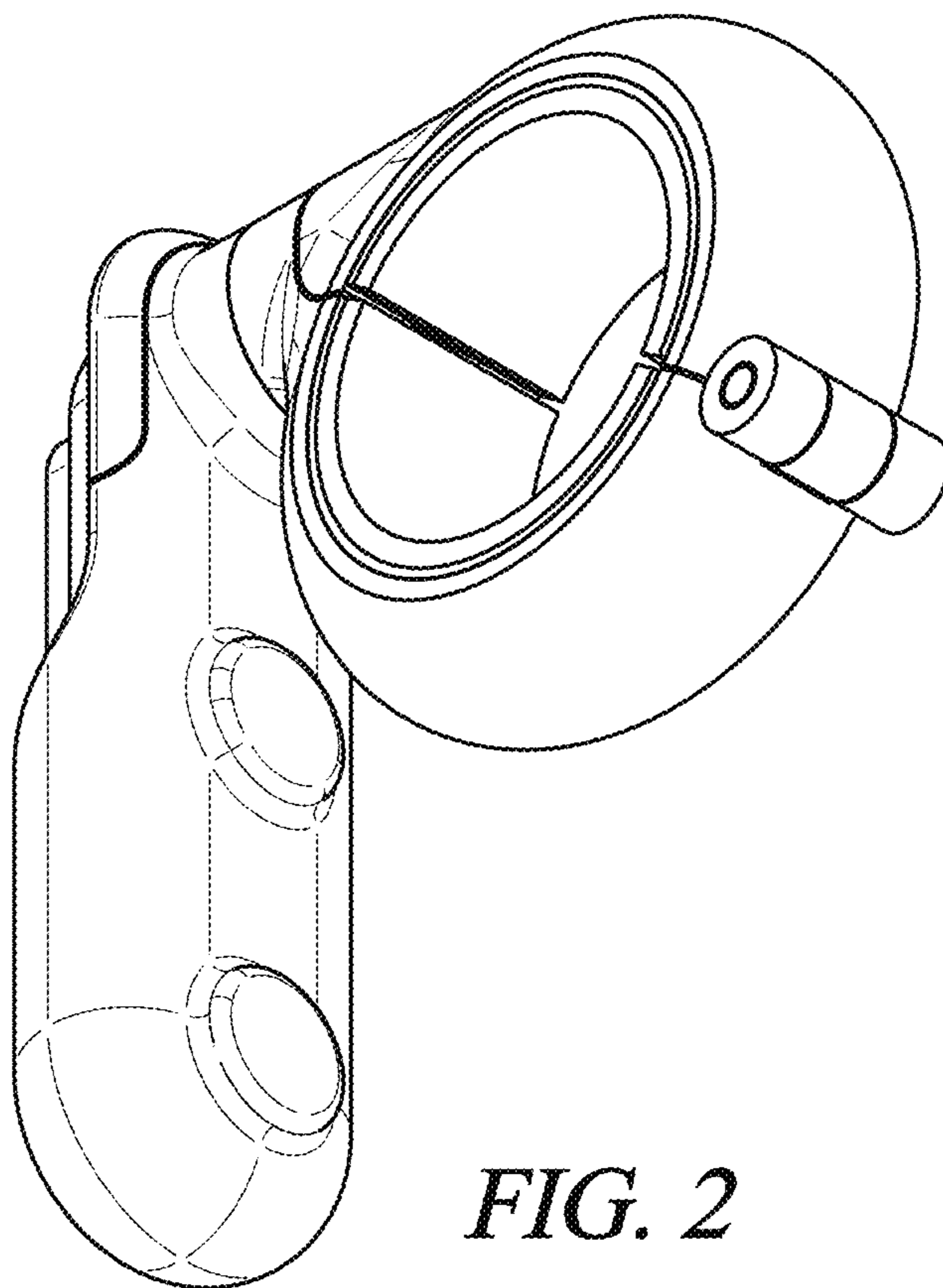


FIG. 2

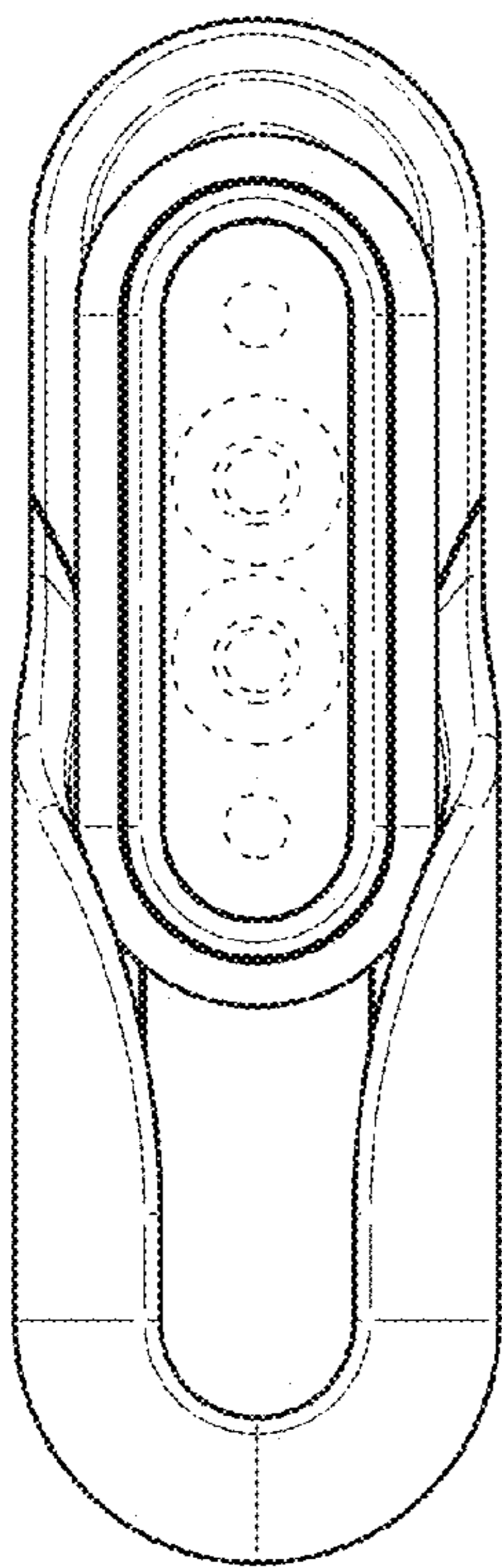


FIG. 3

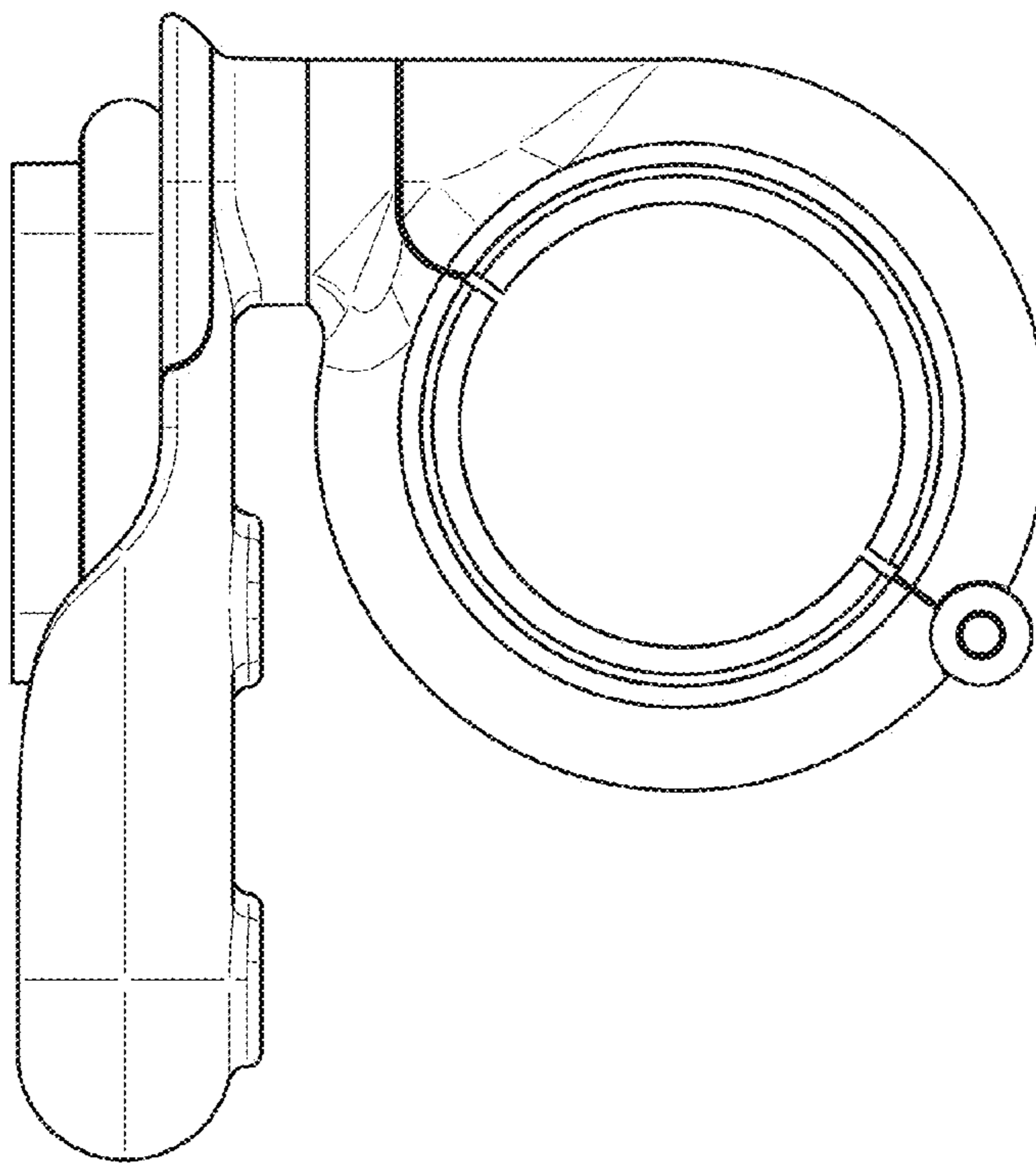


FIG. 4

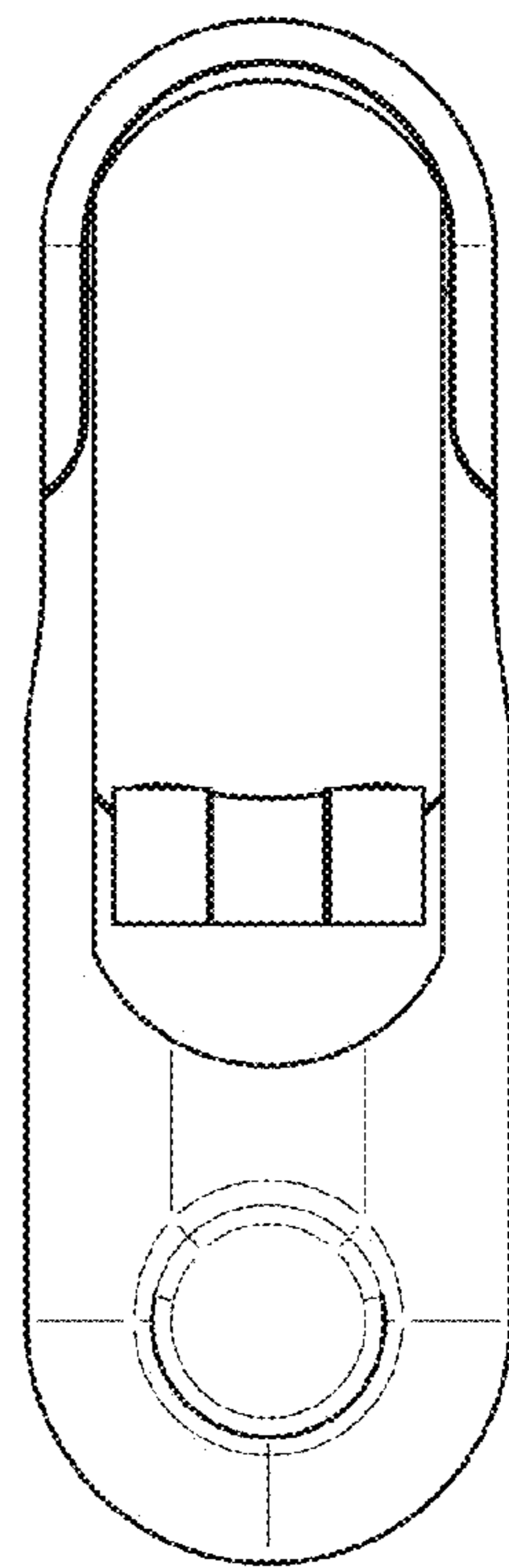


FIG. 5

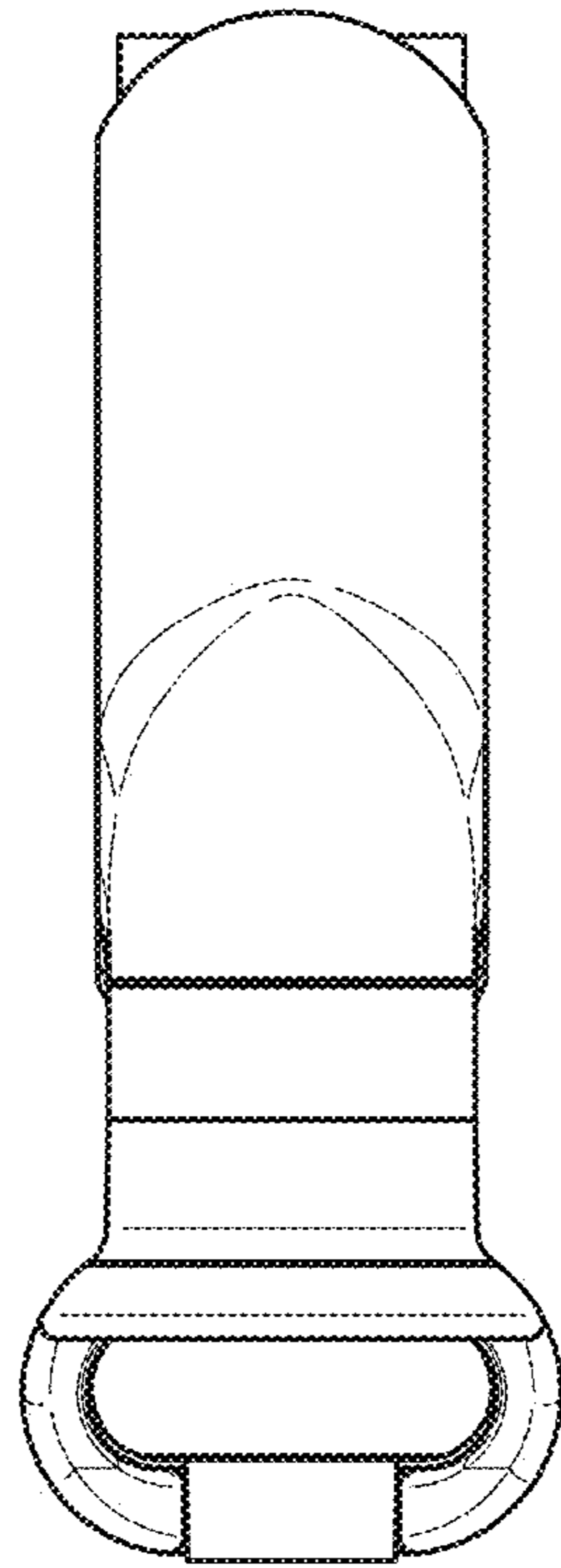


FIG. 6

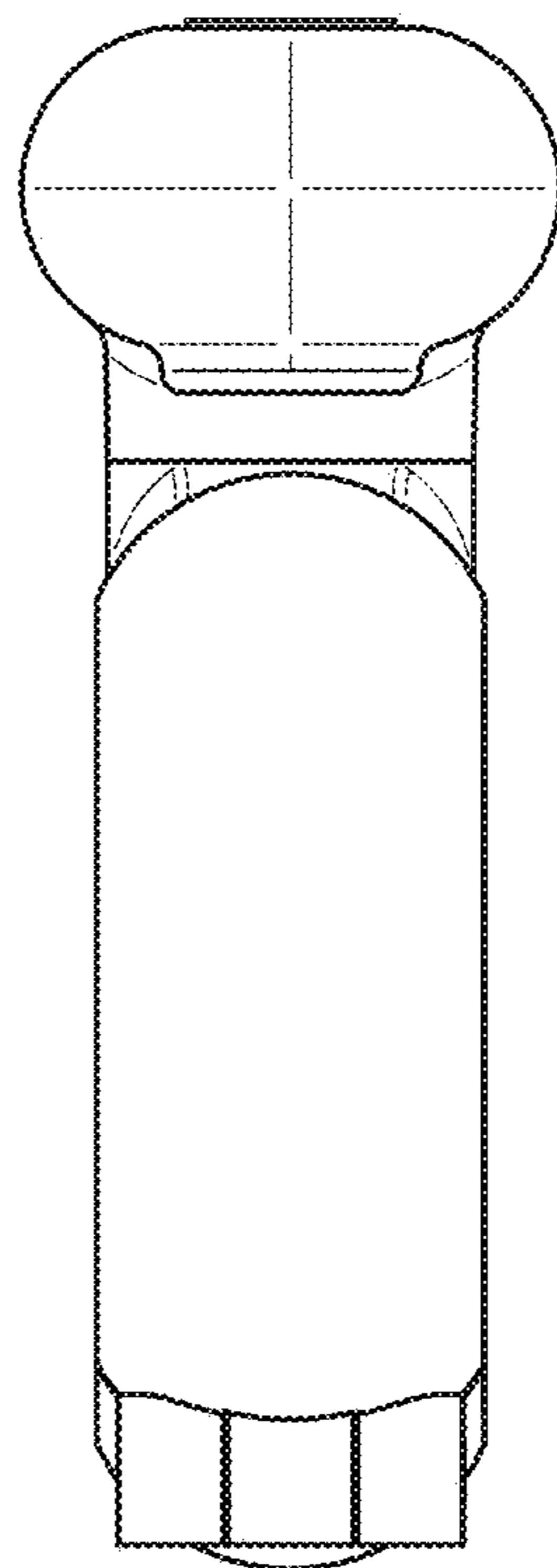


FIG. 7

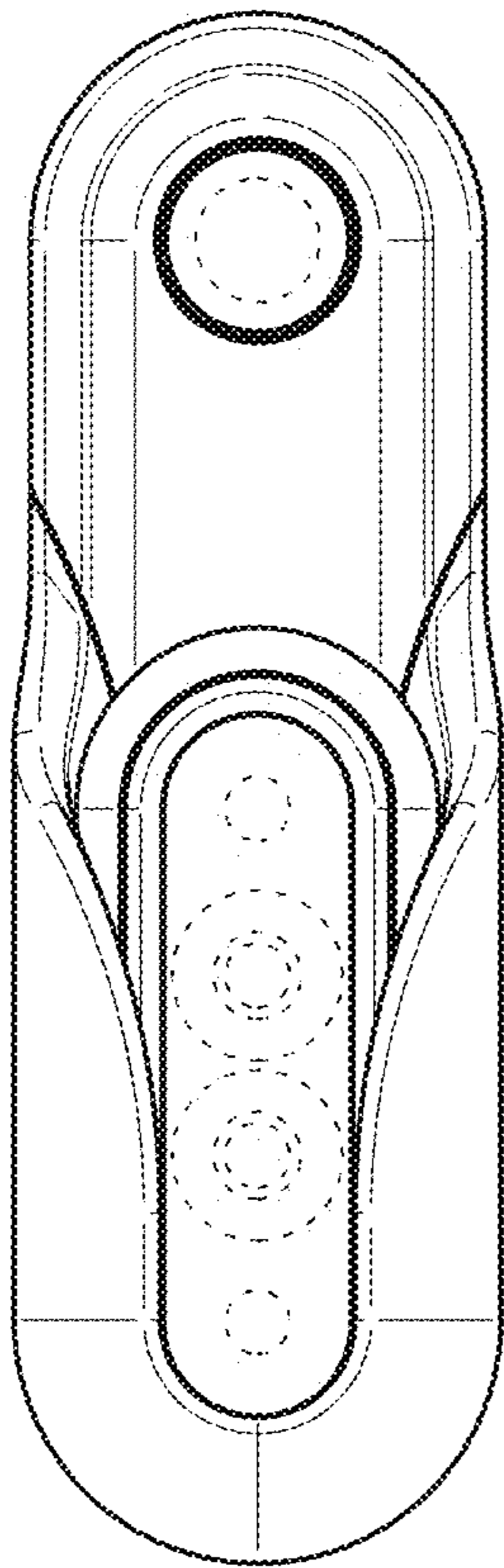


FIG. 8

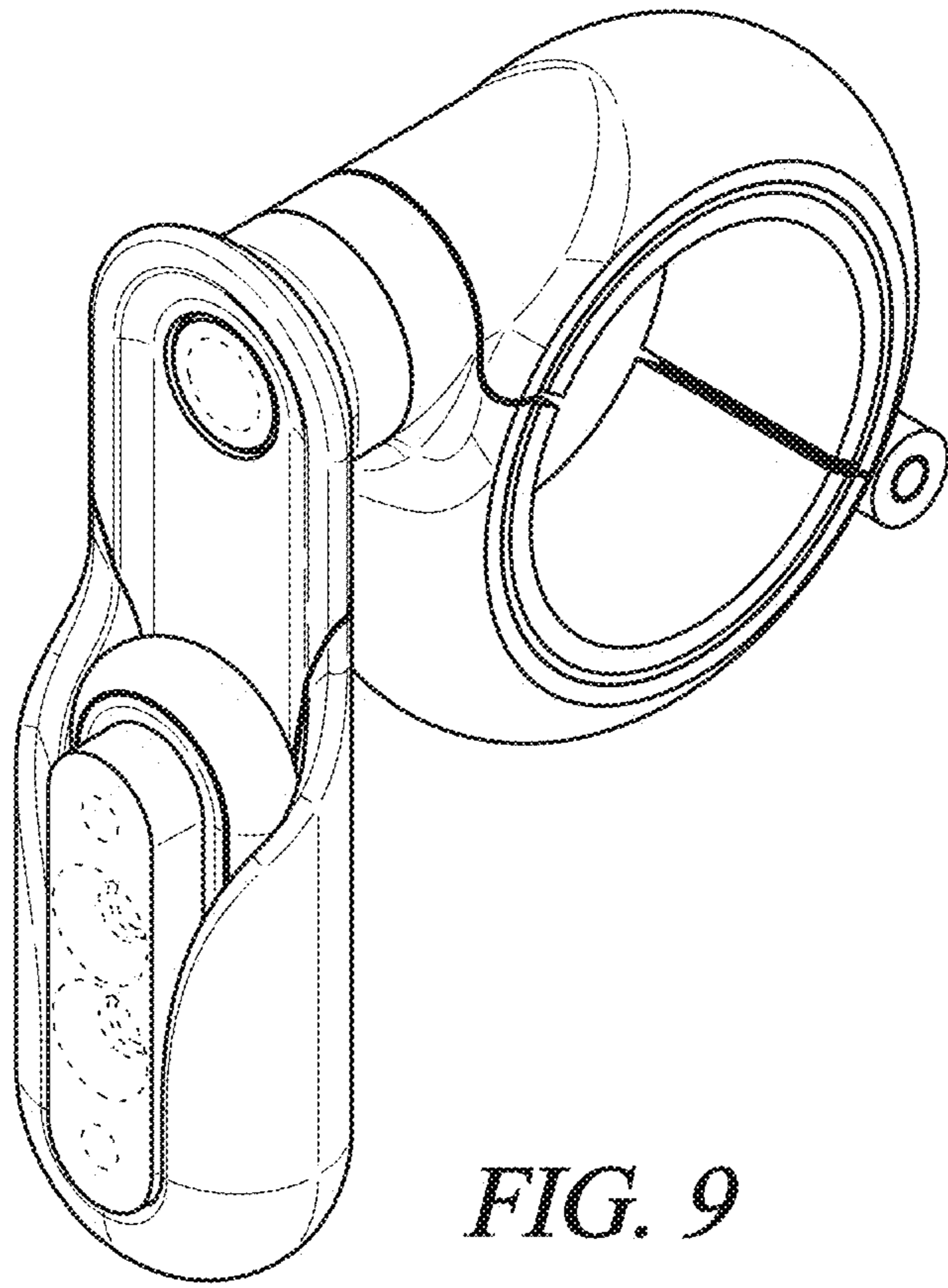


FIG. 9