



US00D899233S

(12) **United States Design Patent**
Tang

(10) **Patent No.:** **US D899,233 S**

(45) **Date of Patent:** **** Oct. 20, 2020**

(54) **HANGER**

(71) Applicant: **Fangping Tang**, Jiangxi (CN)

(72) Inventor: **Fangping Tang**, Jiangxi (CN)

(**) Term: **15 Years**

(21) Appl. No.: **29/702,467**

(22) Filed: **Aug. 20, 2019**

(30) **Foreign Application Priority Data**

Apr. 30, 2019 (CN) 2019 3 0208224

(51) **LOC (12) Cl.** **09-05**

(52) **U.S. Cl.**
USPC **D8/367**

(58) **Field of Classification Search**
USPC D8/360, 356, 354, 349, 367, 373, 397;
D30/139; D11/218; 254/390
See application file for complete search history.

(56) **References Cited**

U.S. PATENT DOCUMENTS

- D196,291 S * 9/1963 McCarthy D8/373
- 4,025,014 A * 5/1977 Larson E05B 73/0005
- 6,484,888 B2 * 11/2002 Miller B62H 3/12
- 248/552
- D481,297 S * 10/2003 Read D8/373
- D505,613 S * 5/2005 Sato D8/367
- 7,077,612 B1 * 7/2006 Diggle, III A63B 27/00
- 248/303
- D599,647 S * 9/2009 Cubides D8/373
- D600,100 S * 9/2009 Moncade D8/367
- D603,247 S * 11/2009 Harrell D8/367
- D608,186 S * 1/2010 Nicoll D8/367

- D638,695 S * 5/2011 Woodrow D8/382
- 8,057,147 B2 * 11/2011 Ernst F16B 13/002
- 411/387.1
- D682,663 S * 5/2013 Evon D8/367
- D709,545 S * 7/2014 Goff D16/245
- D736,071 S * 8/2015 Wu D8/373
- D752,418 S * 3/2016 Stacey D8/367
- D769,705 S * 10/2016 Moreau D11/201
- D773,286 S * 12/2016 Moses D8/363
- D781,175 S * 3/2017 Jankowski D11/200
- D798,130 S * 9/2017 Chi D8/367
- D806,778 S * 1/2018 Martin D16/237
- D812,371 S * 3/2018 Horne D3/221
- D834,412 S * 11/2018 Pentland D9/435
- D842,083 S * 3/2019 Thompson D8/367
- D845,653 S * 4/2019 Wu D6/320
- D852,610 S * 7/2019 Moses D8/364
- D862,209 S * 10/2019 Fusi D8/356
- D869,934 S * 12/2019 Wong D8/349
- D877,600 S * 3/2020 Chen D8/373

* cited by examiner

Primary Examiner — Cynthia R Underwood

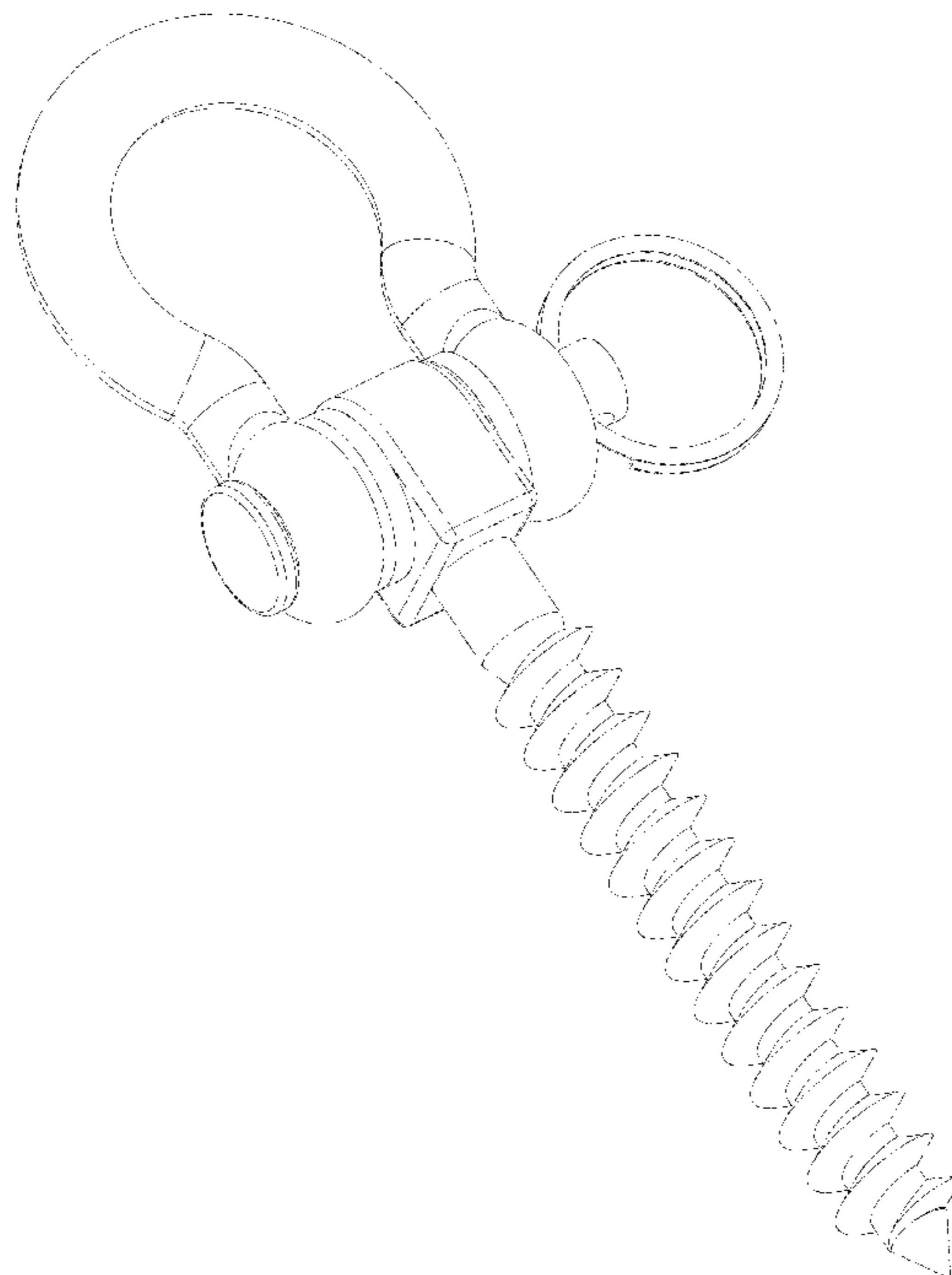
(57) **CLAIM**

The ornamental design for a hanger, as shown.

DESCRIPTION

FIG. 1 is a front elevational view of a hanger showing my new design;
 FIG. 2 is a rear elevational view thereof;
 FIG. 3 is a left side view thereof;
 FIG. 4 is a right side view thereof;
 FIG. 5 is a top plan view thereof;
 FIG. 6 is a bottom plan view thereof;
 FIG. 7 is a perspective view thereof; and,
 FIG. 8 is another perspective view thereof.

1 Claim, 7 Drawing Sheets



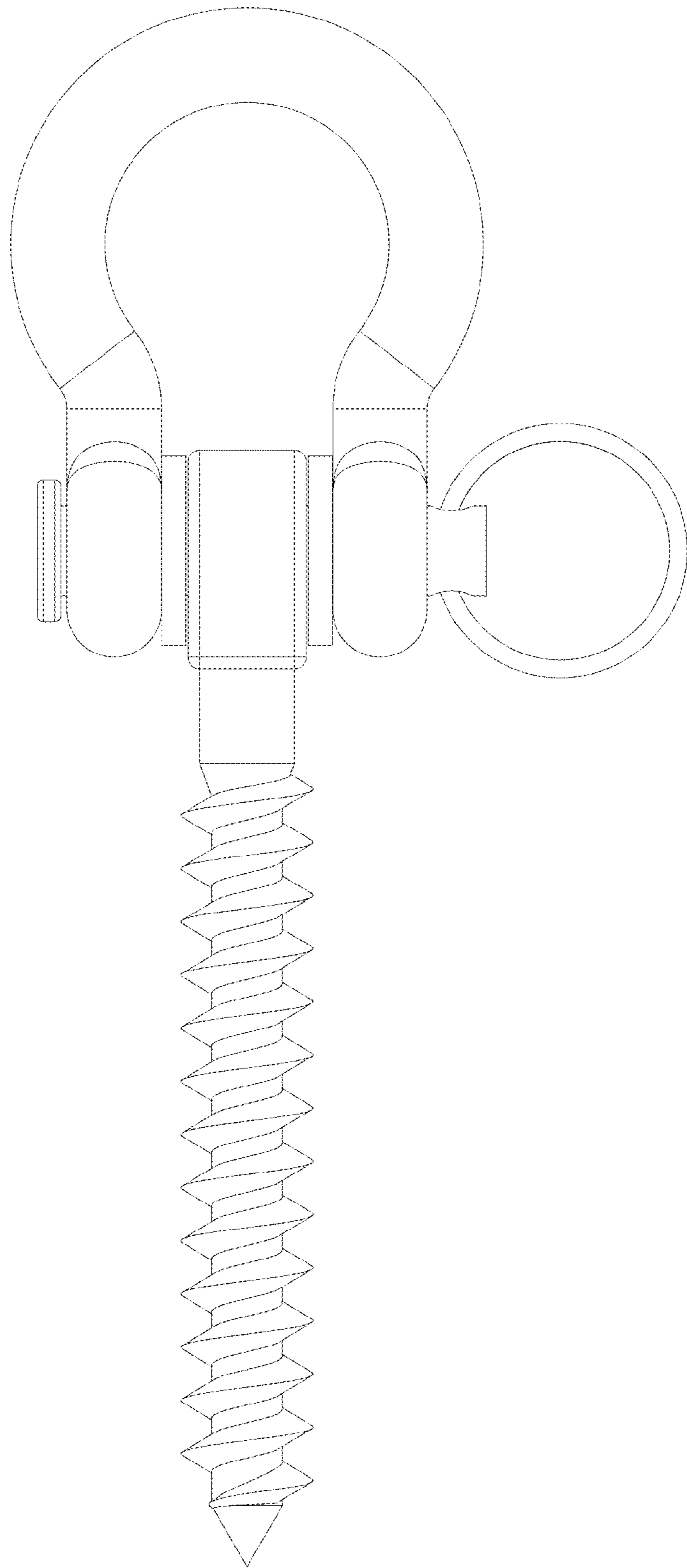


Fig. 1

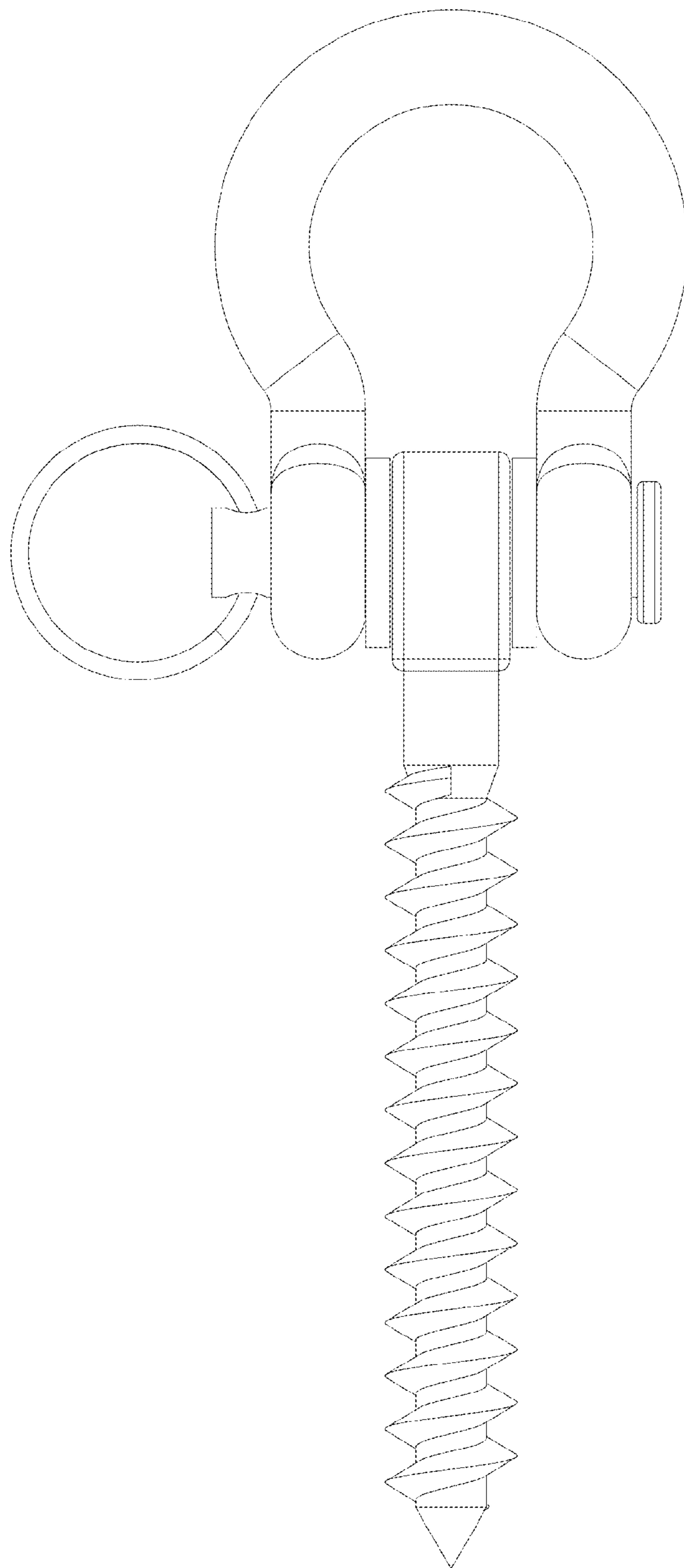


Fig. 2

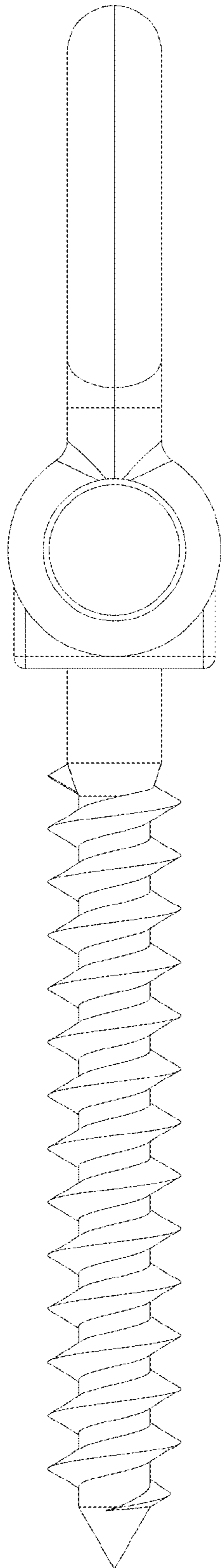


Fig. 3

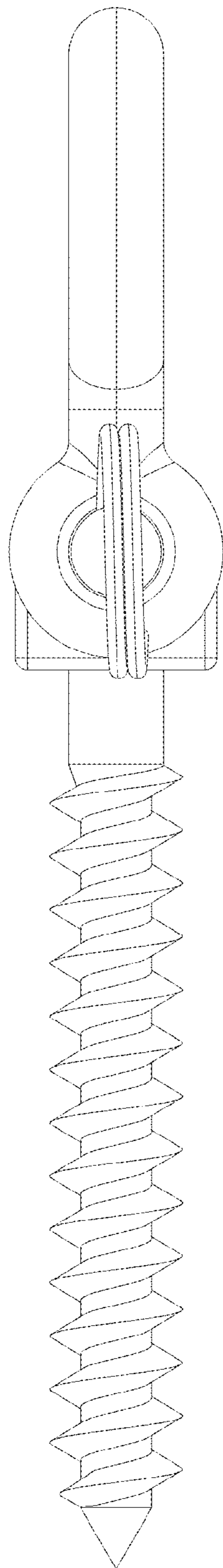


Fig. 4

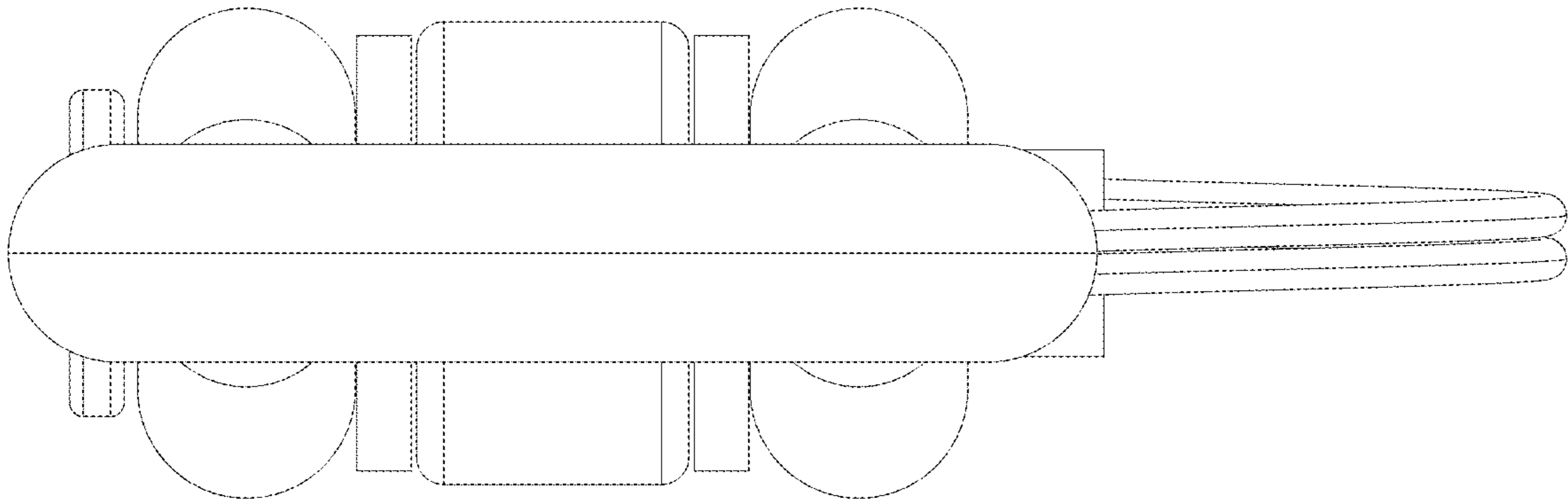


Fig. 5

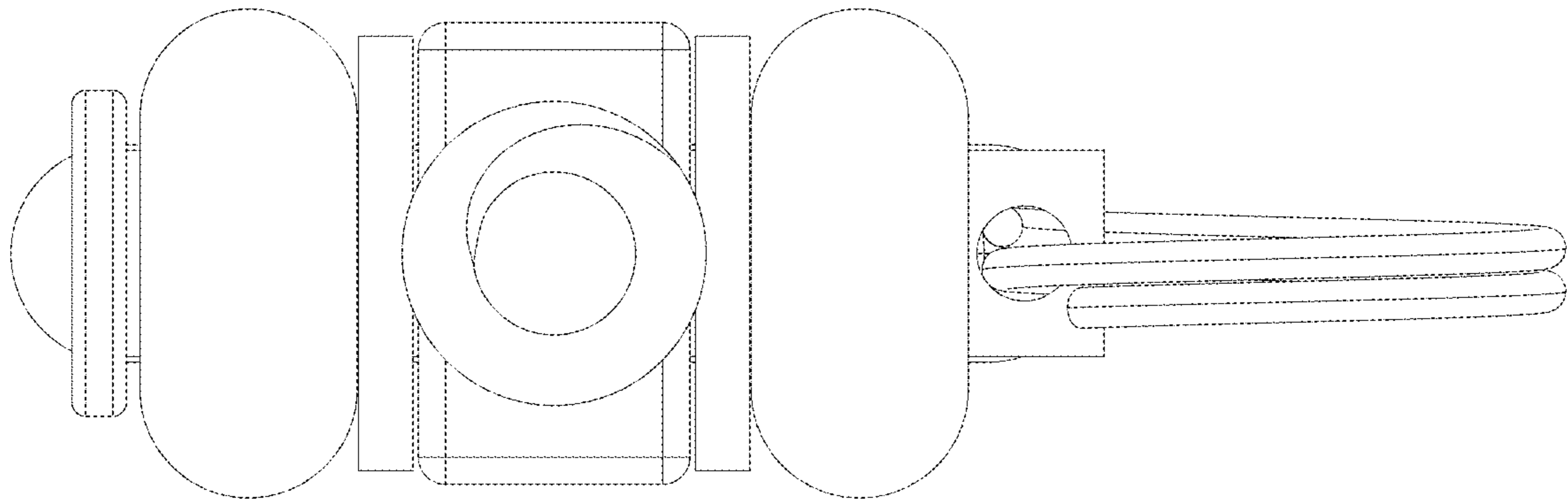


Fig. 6

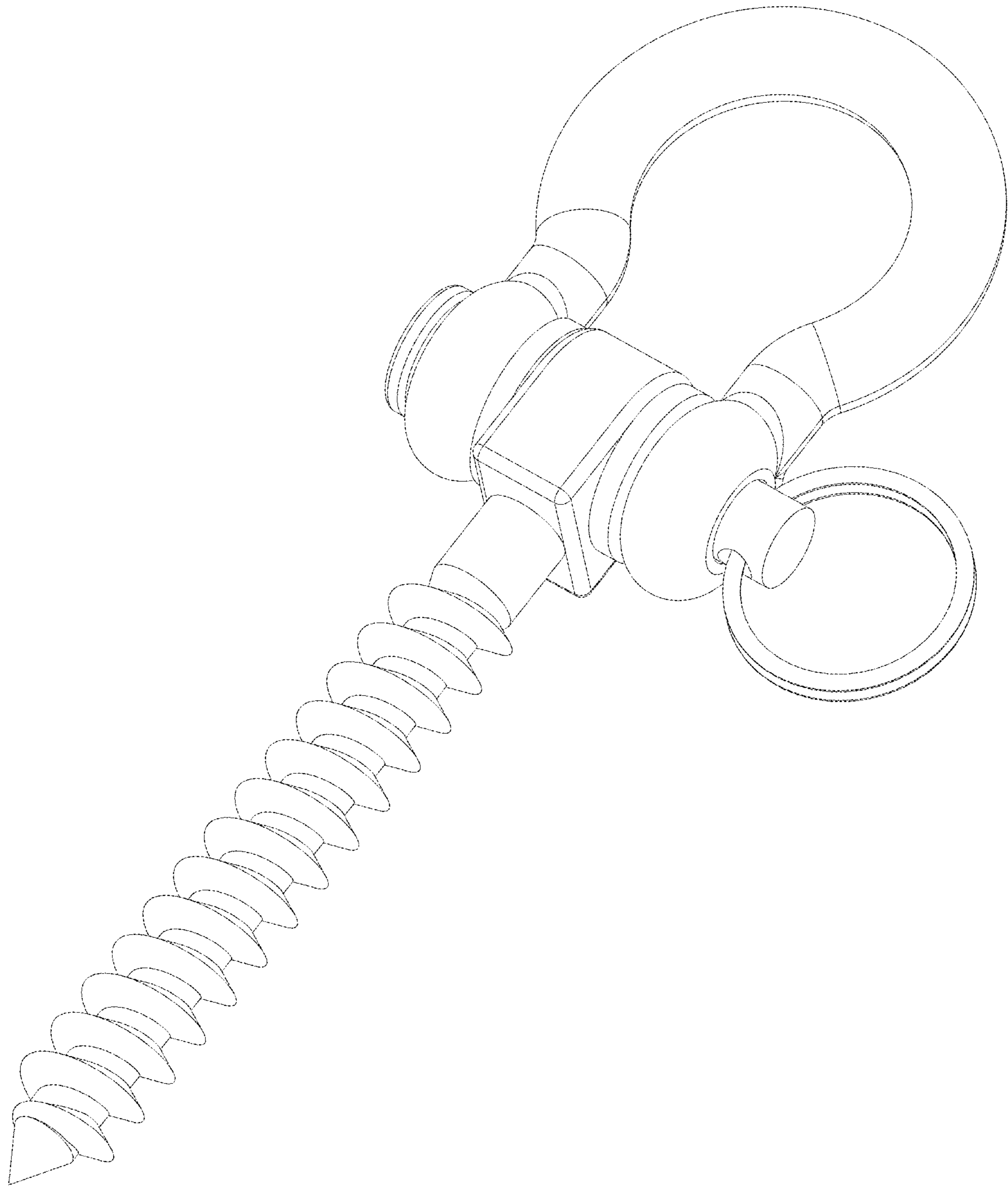


Fig. 7

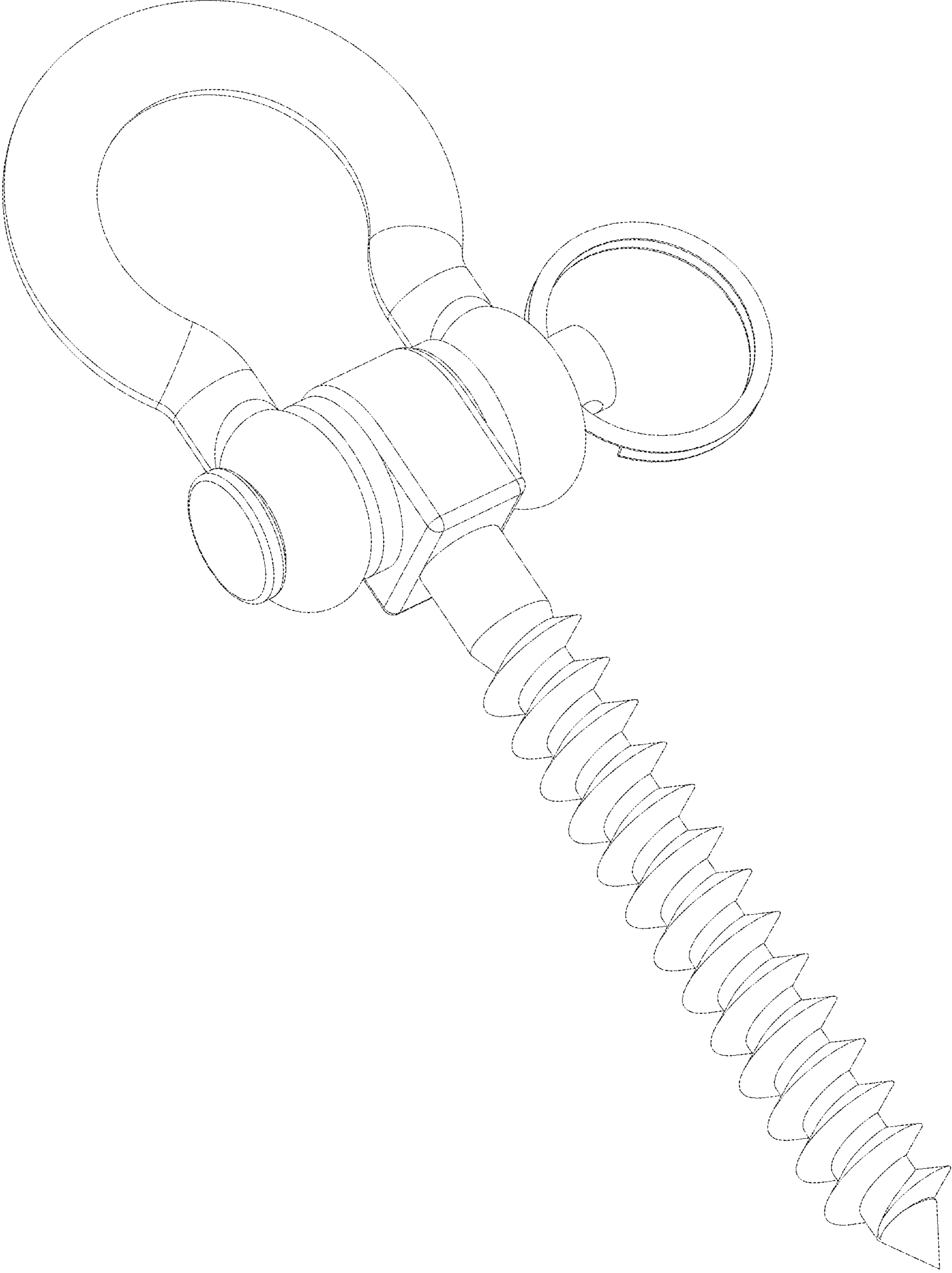


Fig. 8