



US00D899227S

(12) **United States Design Patent**
Tang

(10) **Patent No.:** **US D899,227 S**

(45) **Date of Patent:** **** Oct. 20, 2020**

(54) **HANGER**

(71) Applicant: **Fangping Tang**, Jiangxi (CN)

(72) Inventor: **Fangping Tang**, Jiangxi (CN)

(**) Term: **15 Years**

(21) Appl. No.: **29/694,893**

(22) Filed: **Jun. 14, 2019**

(30) **Foreign Application Priority Data**

Apr. 16, 2019 (CN) 2019 3 0174652

(51) **LOC (12) Cl.** **09-05**

(52) **U.S. Cl.**
USPC **D8/367; D8/373**

(58) **Field of Classification Search**
USPC D8/360, 356, 354, 349, 367, 373, 397;
D30/139; D11/218; 24/129 R; 254/390
See application file for complete search history.

(56) **References Cited**

U.S. PATENT DOCUMENTS

D196,291 S *	9/1963	McCarthy	D8/373
D429,996 S *	8/2000	Fiorentino	D8/356
D486,055 S *	2/2004	Fiorentino	D8/354
D505,613 S *	5/2005	Sato	D8/367
D548,051 S *	8/2007	Ruppert	D8/354
D599,647 S *	9/2009	Cubides	D8/373
D600,100 S *	9/2009	Moncade	D8/367
D602,348 S *	10/2009	Berney	D8/367
D603,247 S *	11/2009	Harrell	D8/367
D608,186 S *	1/2010	Nicoll	D8/367
D626,393 S *	11/2010	Ormsbee	D8/18
D637,366 S *	5/2011	Grainer	D30/155
D659,518 S *	5/2012	Xu	D8/356
D682,663 S *	5/2013	Evon	D8/367
D686,058 S *	7/2013	Paik	D8/356
D695,593 S *	12/2013	Nunez Farfan	D8/354

D698,628 S *	2/2014	Stanley	D8/367
D709,545 S *	7/2014	Goff	D16/245
D736,071 S *	8/2015	Wu	D8/373
D736,605 S *	8/2015	Minarik	D8/358
D749,394 S *	2/2016	Morinaga	D8/323
D752,418 S *	3/2016	Stacey	D8/367
D758,173 S *	6/2016	Sugasawara	D8/380
D773,286 S *	12/2016	Moses	D8/363
D798,130 S *	9/2017	Chi	D8/367
D801,162 S *	10/2017	Xie	D8/367
D812,371 S *	3/2018	Horne	D3/221
D834,412 S *	11/2018	Pentland	D9/435
D842,083 S *	3/2019	Thompson	D8/367
D845,653 S *	4/2019	Wu	D6/320
D852,610 S *	7/2019	Moses	D8/364
D858,262 S *	9/2019	Wilson	D8/373
D862,209 S *	10/2019	Fusi	D8/356
D869,934 S *	12/2019	Wong	D8/349
D877,600 S *	3/2020	Chen	D8/373
2016/0208834 A1 *	7/2016	Oh	F16B 35/06
2017/0122491 A1 *	5/2017	Mancuso	F16M 13/02

* cited by examiner

Primary Examiner — Cynthia R Underwood

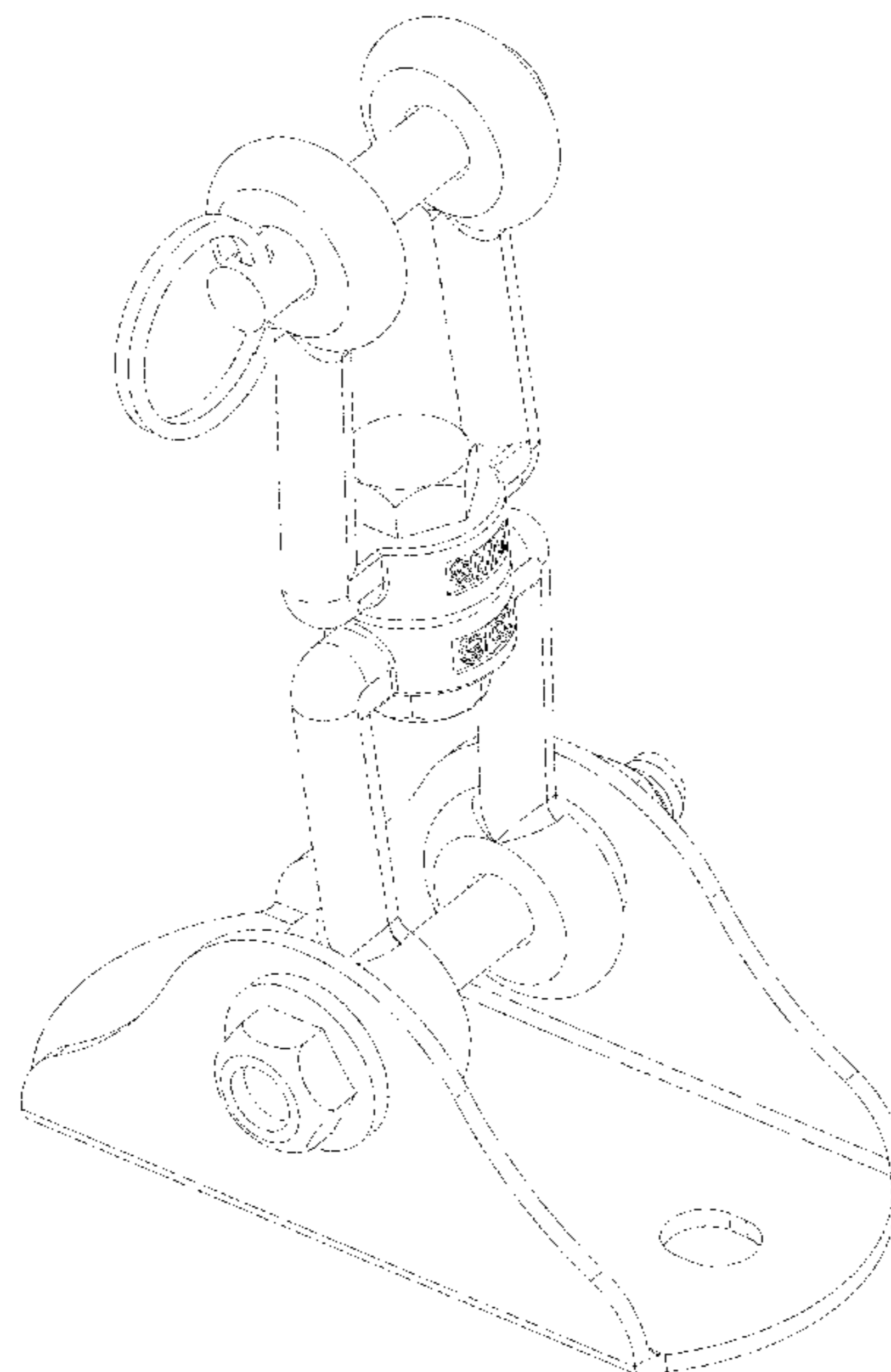
(57) **CLAIM**

The ornamental design for a hanger, as shown.

DESCRIPTION

FIG. 1 is a front elevational view of a hanger showing my new design;
FIG. 2 is a rear elevational view thereof;
FIG. 3 is a left side view thereof;
FIG. 4 is a right side view thereof;
FIG. 5 is a top plan view thereof;
FIG. 6 is a bottom plan view thereof;
FIG. 7 is a perspective view thereof;
FIG. 8 is a second perspective view thereof;
FIG. 9 is a third perspective view thereof; and,
FIG. 10 is a fourth perspective view thereof.

1 Claim, 10 Drawing Sheets



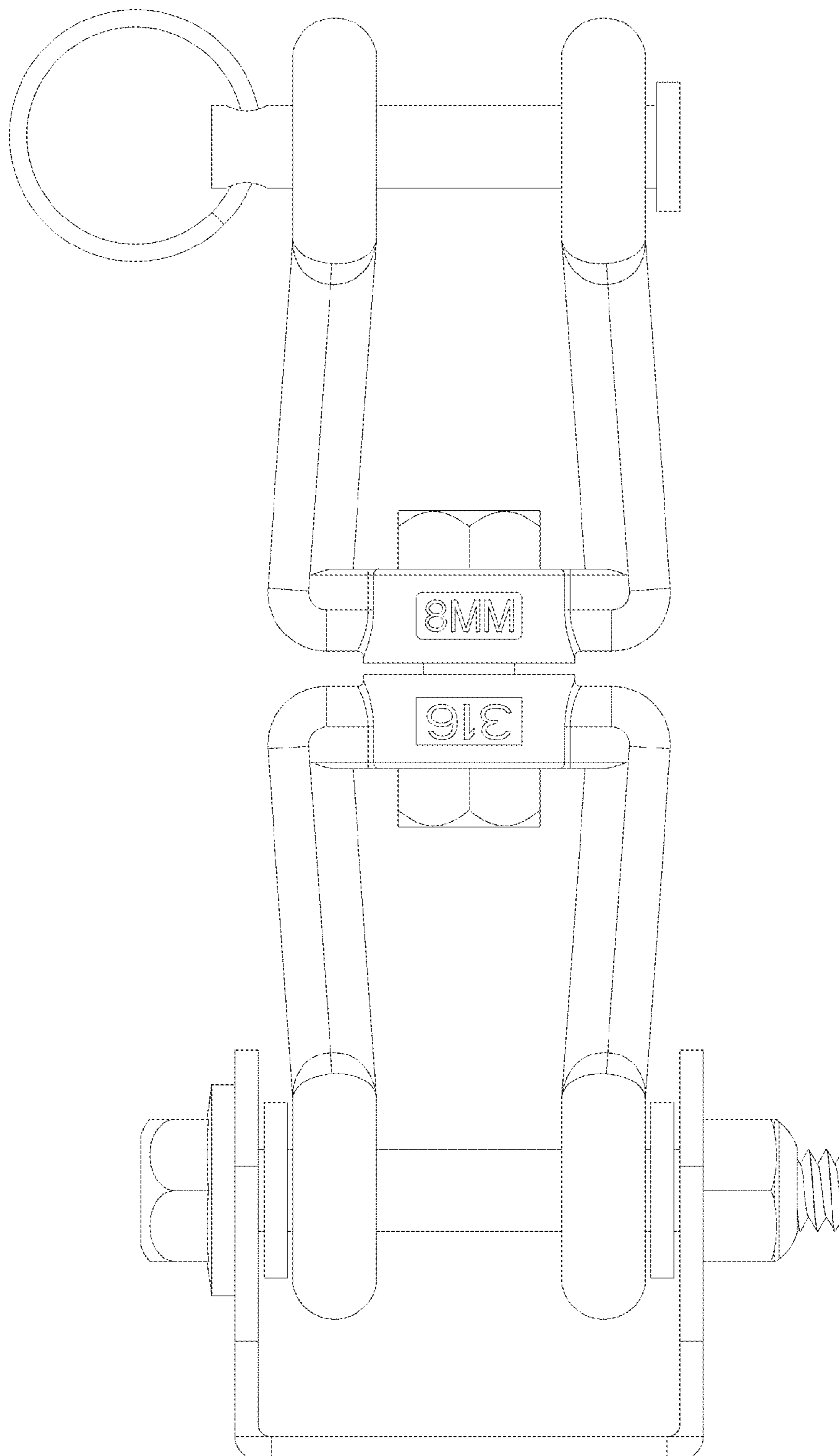


Fig. 1

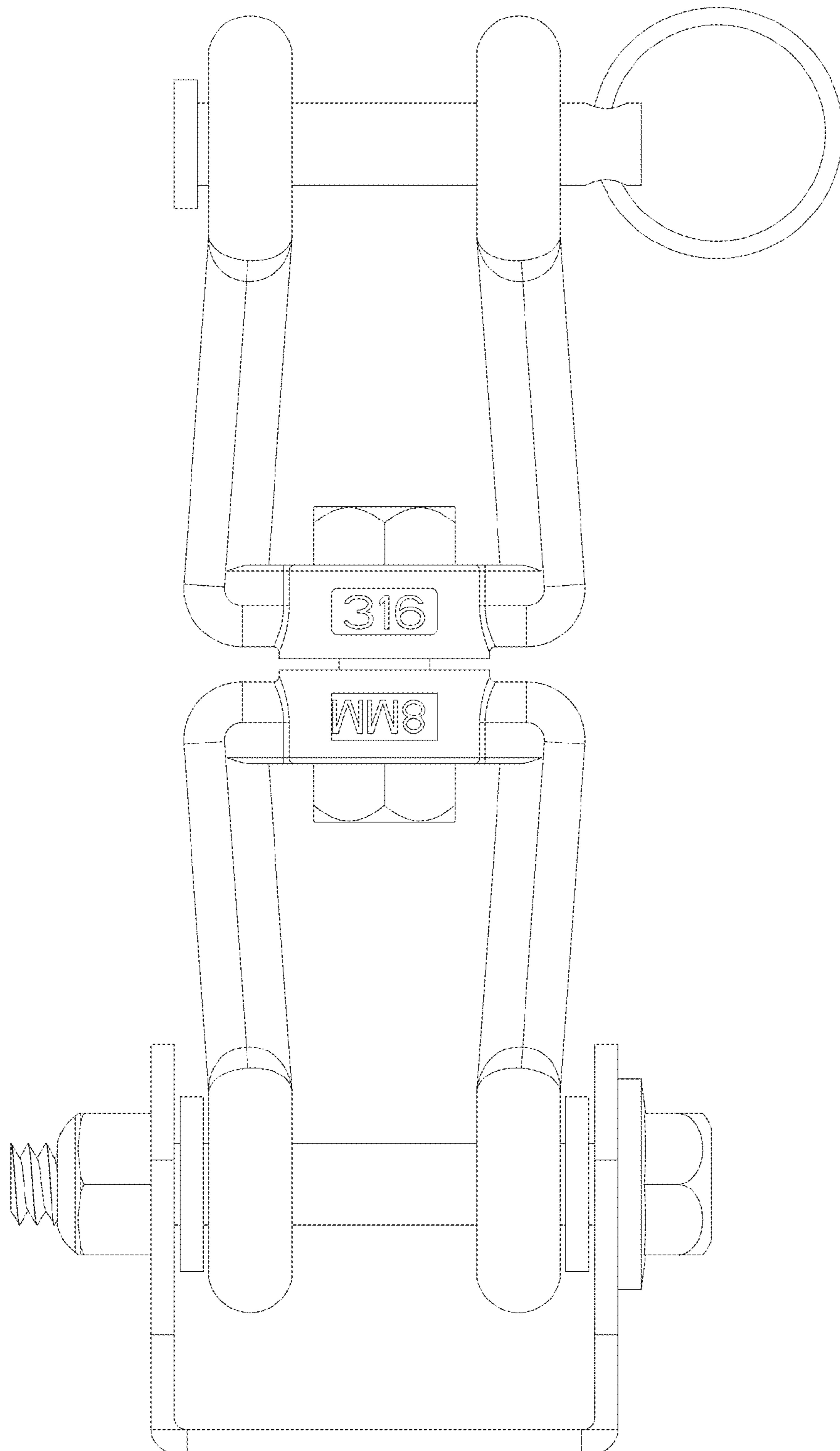


Fig. 2

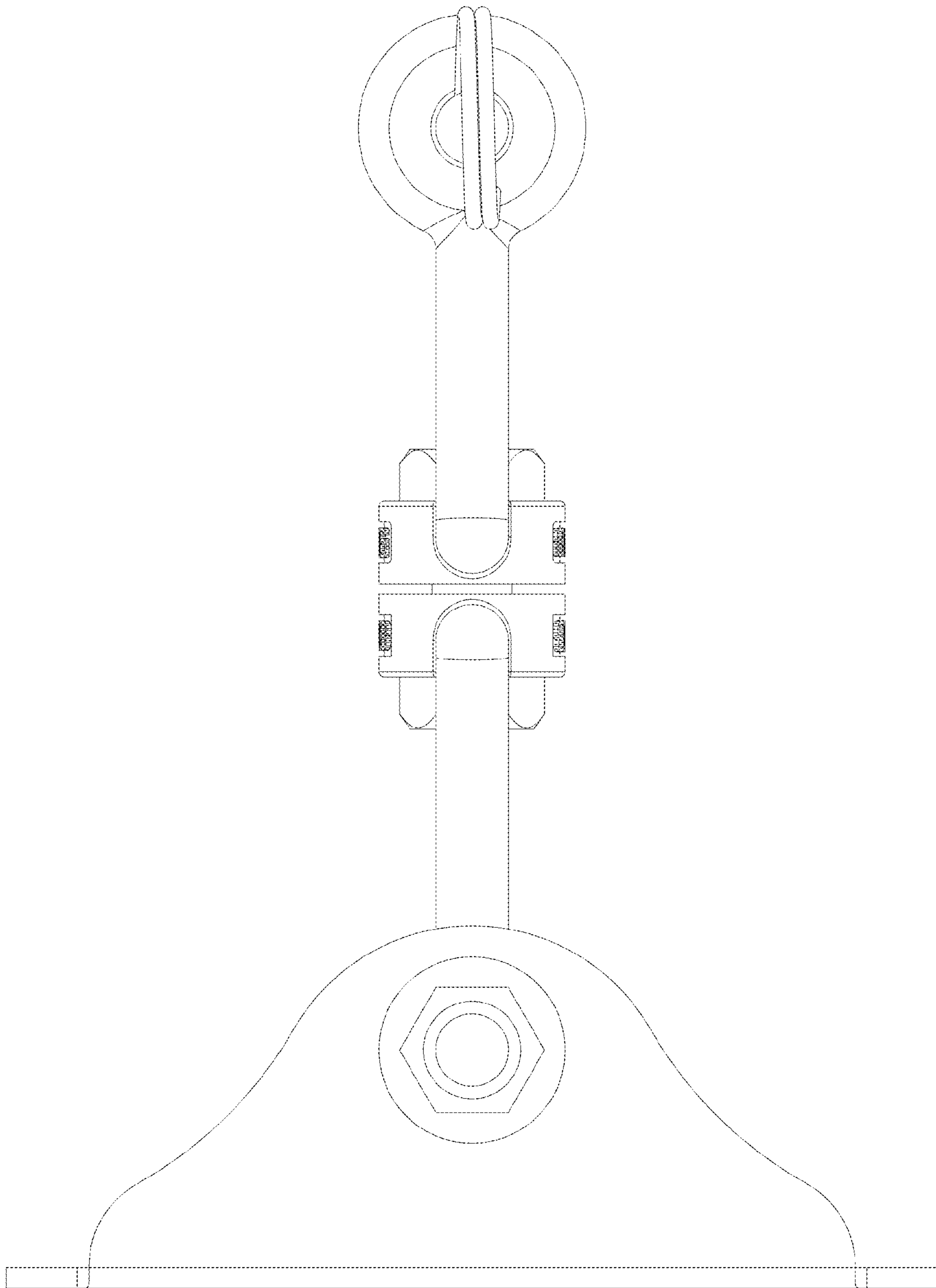


Fig. 3

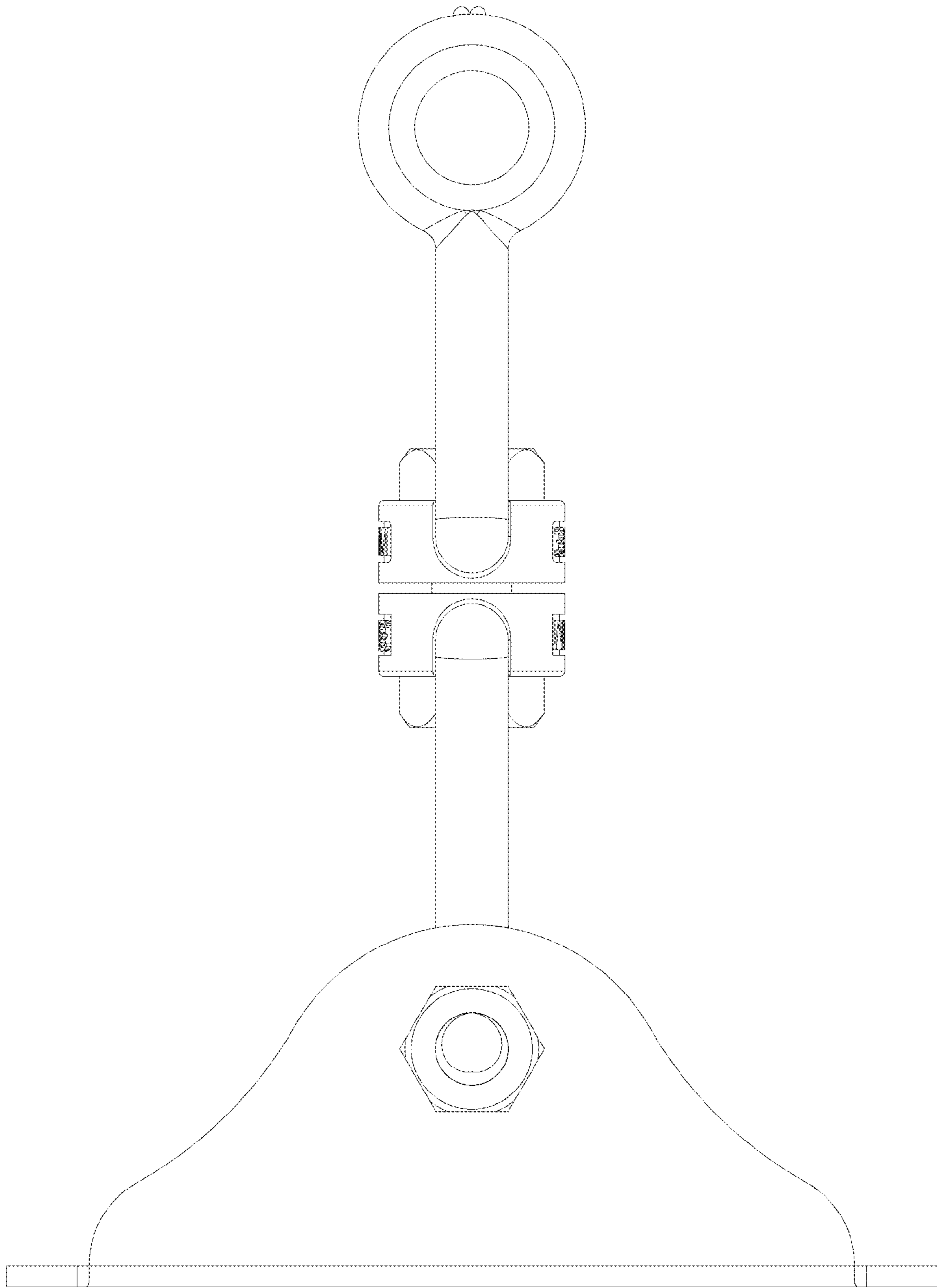


Fig. 4

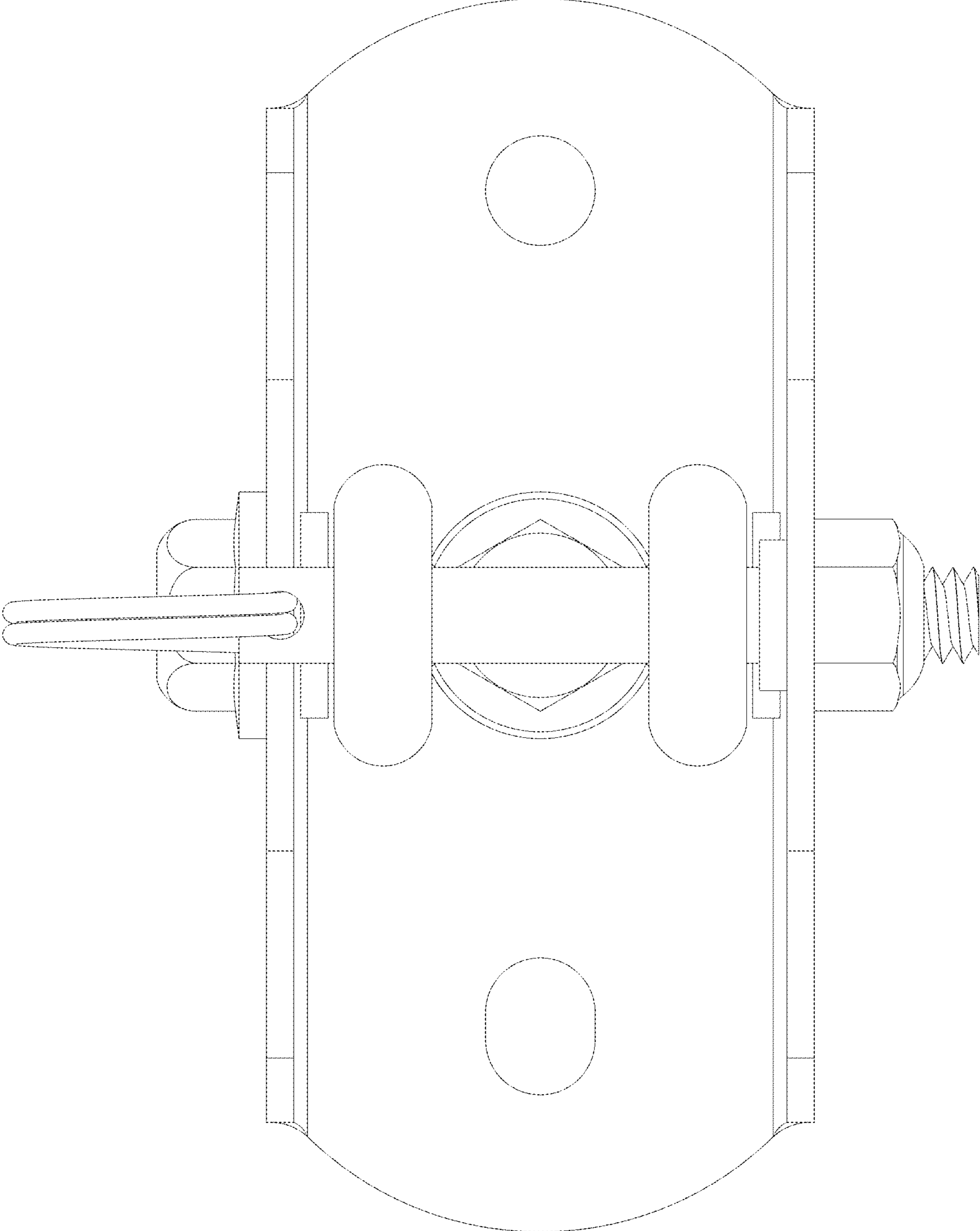


Fig. 5

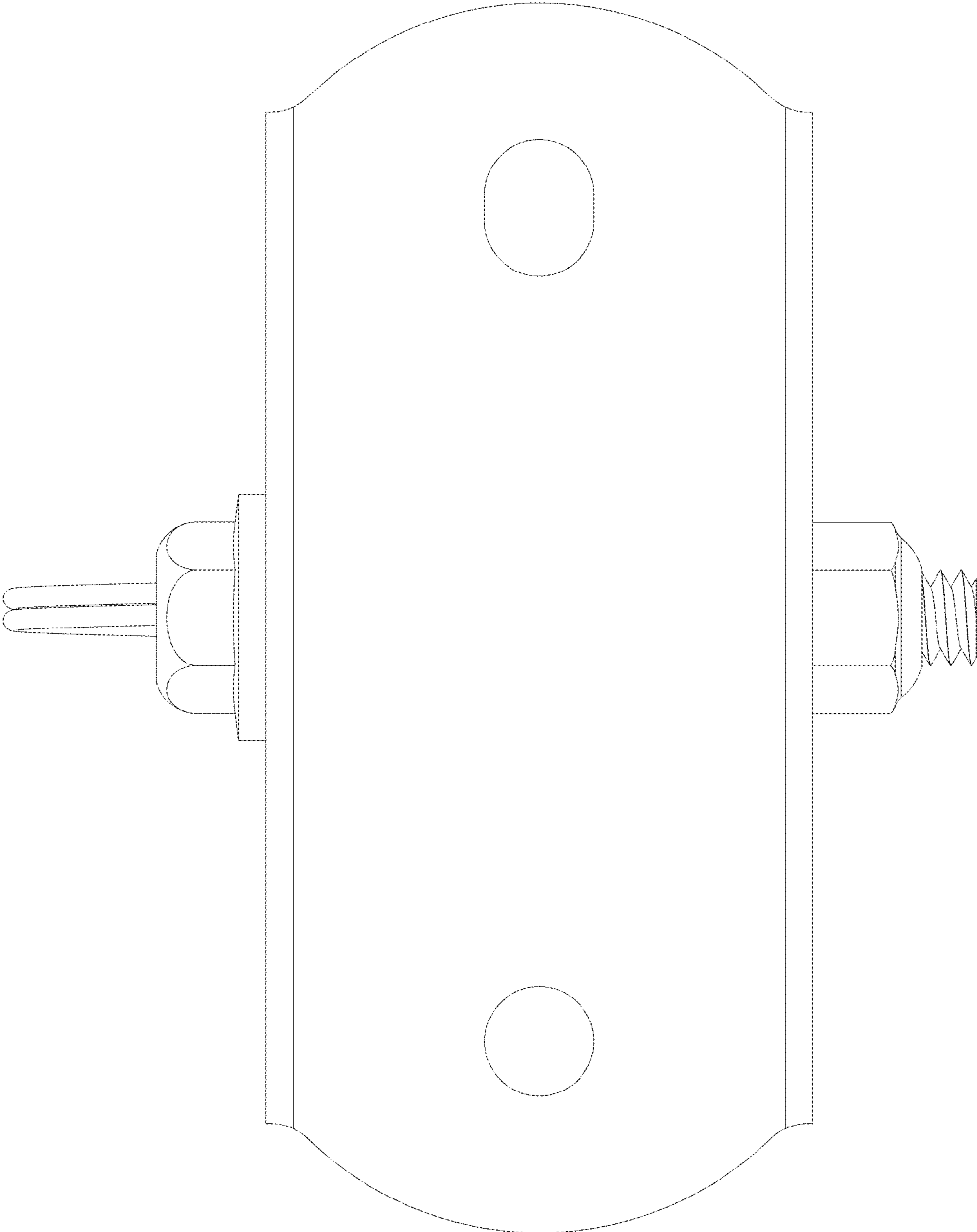


Fig. 6

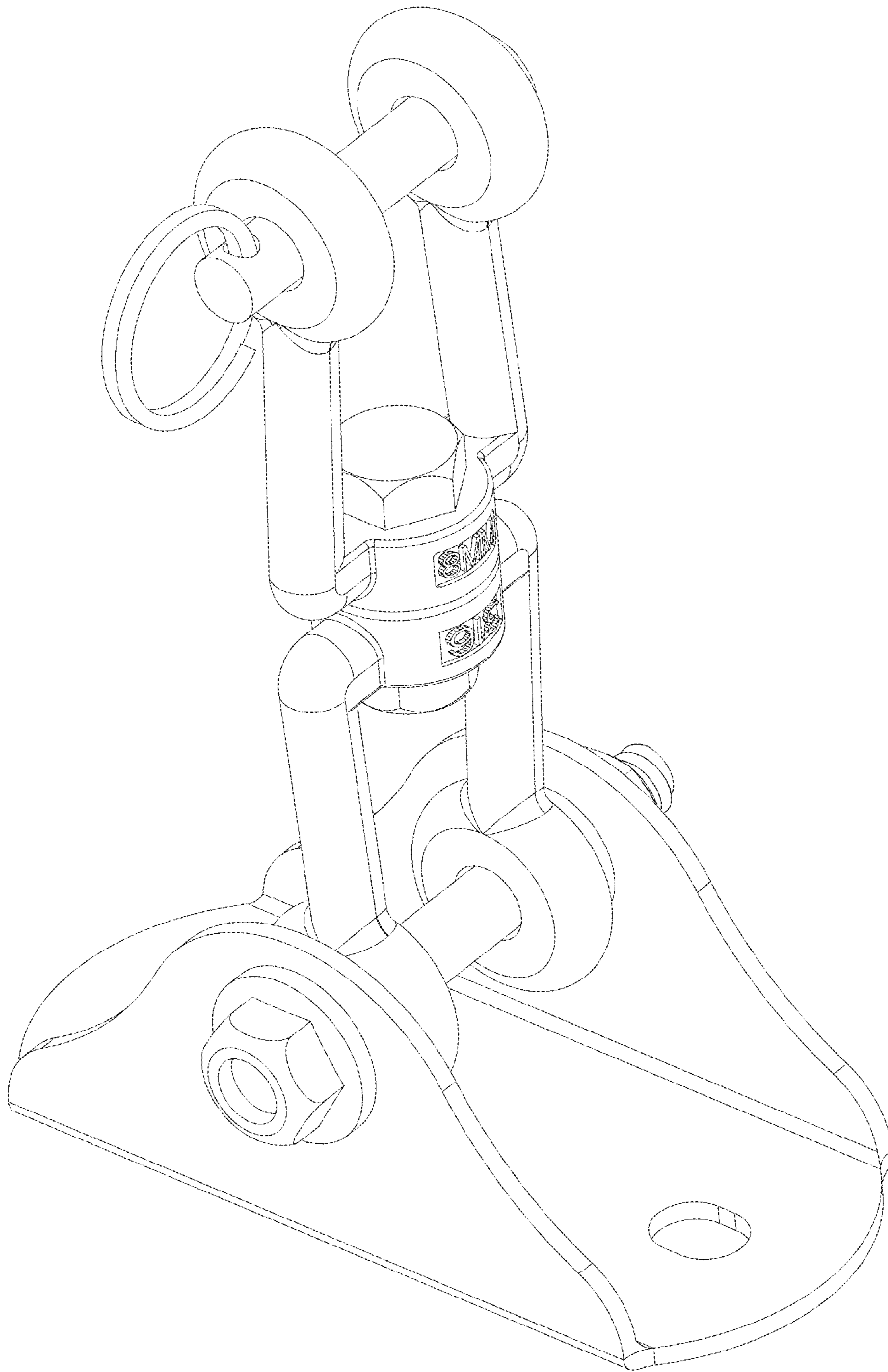


Fig. 7

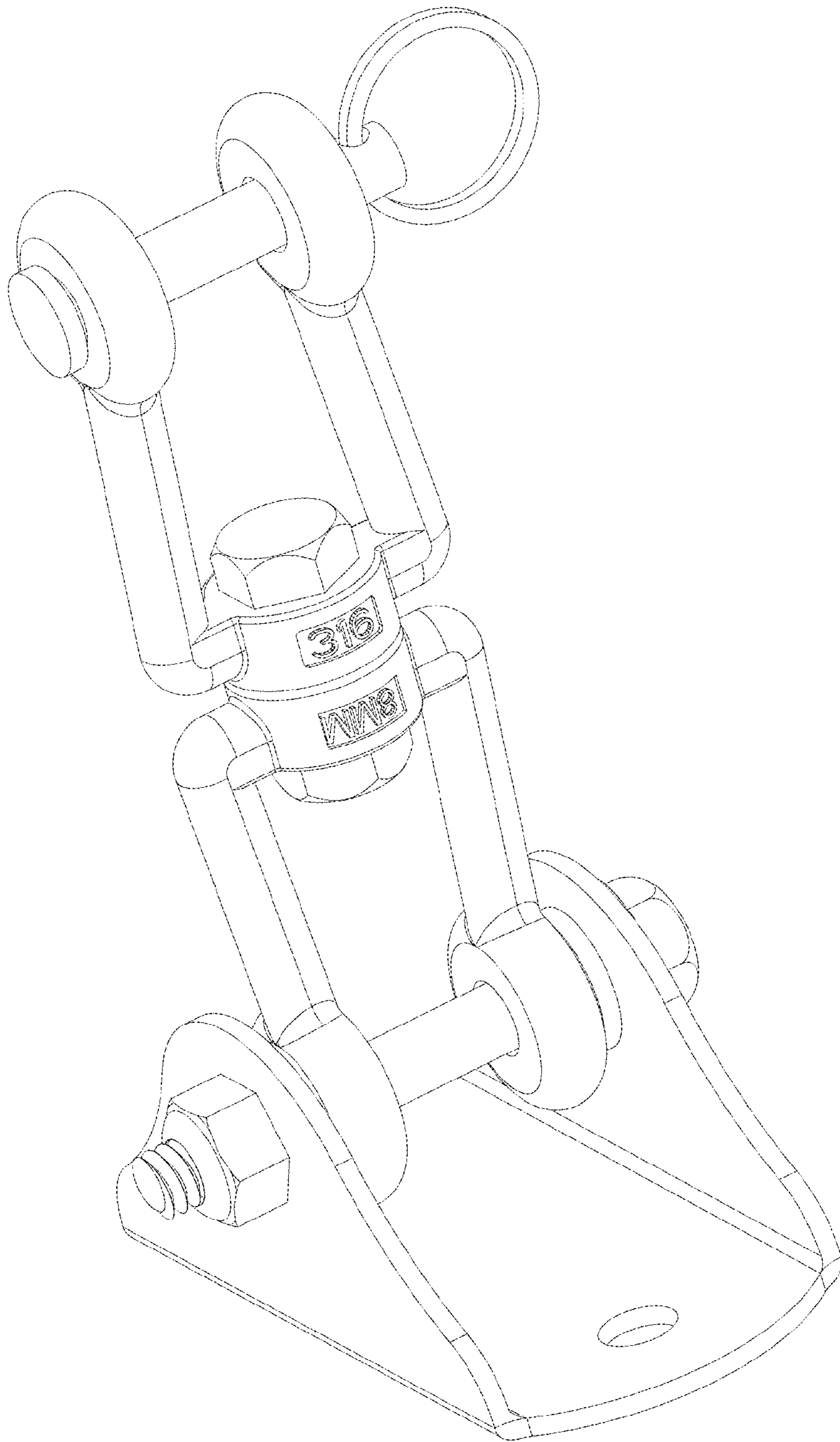


Fig. 8

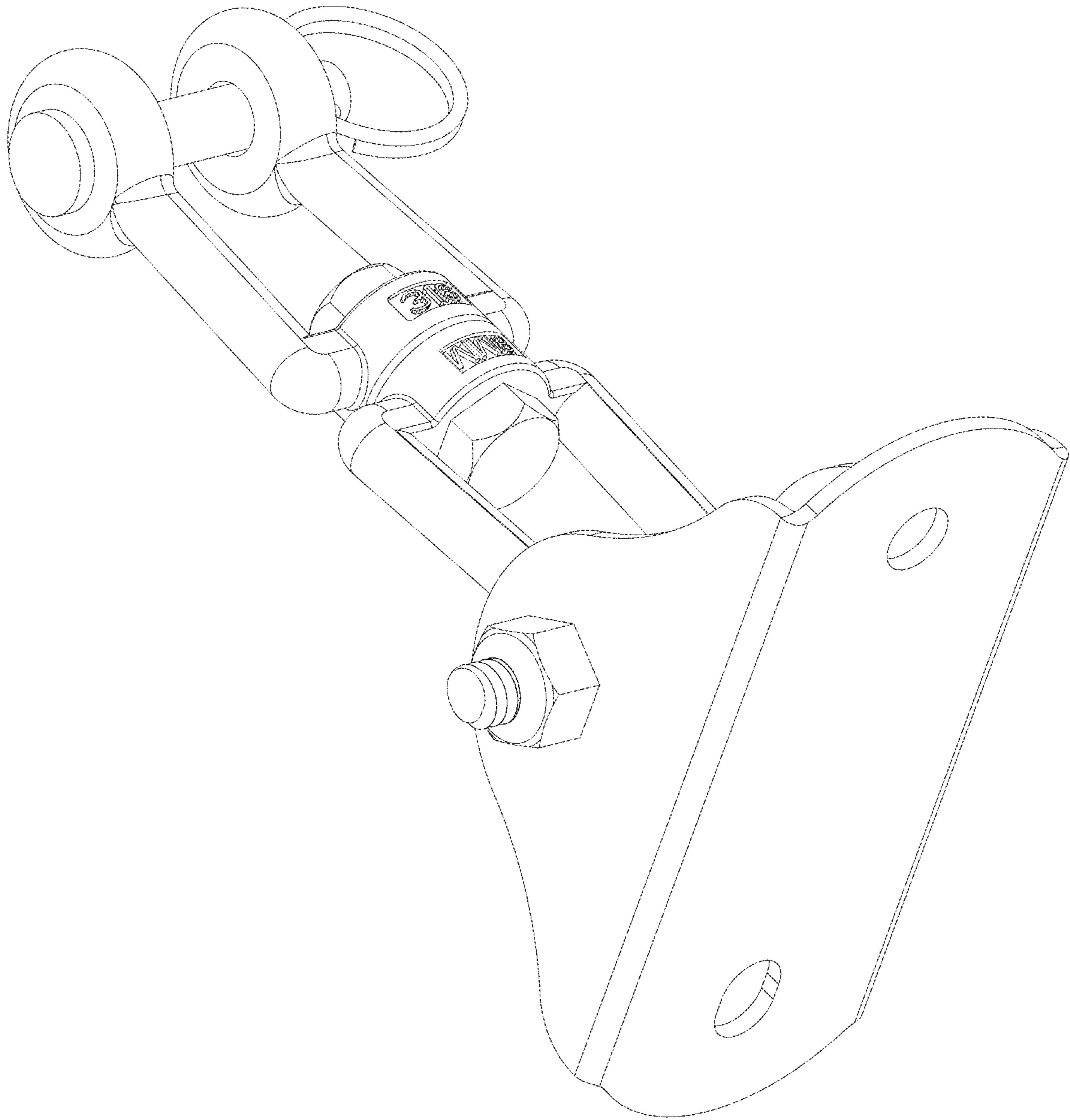


Fig. 9

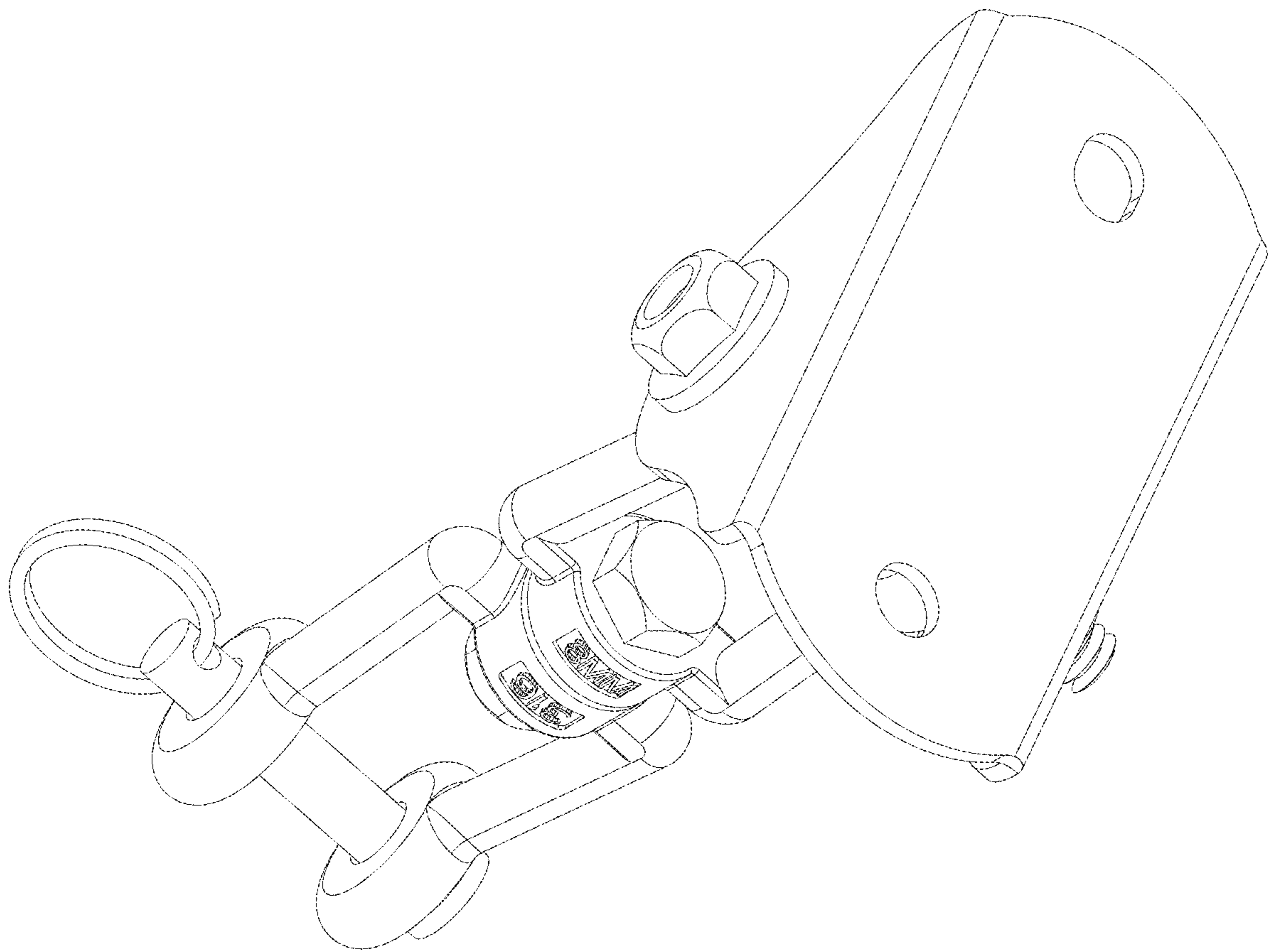


Fig. 10