



US00D899225S

(12) **United States Design Patent**  
**Zhang**

(10) **Patent No.:** **US D899,225 S**

(45) **Date of Patent:** **\*\* Oct. 20, 2020**

(54) **VESA MOUNT ADAPTOR BRACKET**

D823,286 S 7/2018 Kanter  
D829,531 S \* 10/2018 Kanter ..... D8/354  
D829,533 S \* 10/2018 Kanter ..... D8/354

(71) Applicant: **Lexiao Zhang**, Montreal (CA)

(Continued)

(72) Inventor: **Lexiao Zhang**, Montreal (CA)

FOREIGN PATENT DOCUMENTS

(73) Assignee: **Gladiator Joe Inc.**, Montreal, Quebec (CA)

DE 202017002570 U1 6/2017  
WO 2004061359 A1 7/2004

(\*\*) Term: **15 Years**

OTHER PUBLICATIONS

(21) Appl. No.: **29/696,850**

“VESA Mount Kit for Apple 21.5 and 27 iMac Display (STAND-MACB)” by VIVO Adapter, Found Online on [May 16, 2019] [https://i5.walmartimages.com/asr/b7a9bc90-1c07-46cb-8e7b-60d44544330e\\_1.18080d654d88aa8015ec419e9f043579.png?odnWidth=undefined&odnHeight=undefined&odnBg=ffffff](https://i5.walmartimages.com/asr/b7a9bc90-1c07-46cb-8e7b-60d44544330e_1.18080d654d88aa8015ec419e9f043579.png?odnWidth=undefined&odnHeight=undefined&odnBg=ffffff).

(22) Filed: **Jul. 2, 2019**

(Continued)

(51) **LOC (12) Cl.** ..... **08-05**

(52) **U.S. Cl.**

USPC ..... **D8/354**

(58) **Field of Classification Search**

USPC ..... D8/354, 349, 355, 363, 373, 380, 387, D8/388, 389; D20/22, 27, 42, 43; D14/238

CPC ..... H05K 5/0204; H05K 7/14; F16M 13/02; H04N 5/655; H04N 5/64; G06F 1/1601; G06F 1/16; A45F 5/00; A45F 5/021; A45F 2200/0516; A45F 2200/0508; A45F 2200/0525

See application file for complete search history.

*Primary Examiner* — Keli L Hill

*Assistant Examiner* — Harold E Blackwell, II

(74) *Attorney, Agent, or Firm* — LegalForce RAPC Worldwide

(57)

**CLAIM**

The ornamental design for a VESA mount adaptor bracket, as shown and described.

**DESCRIPTION**

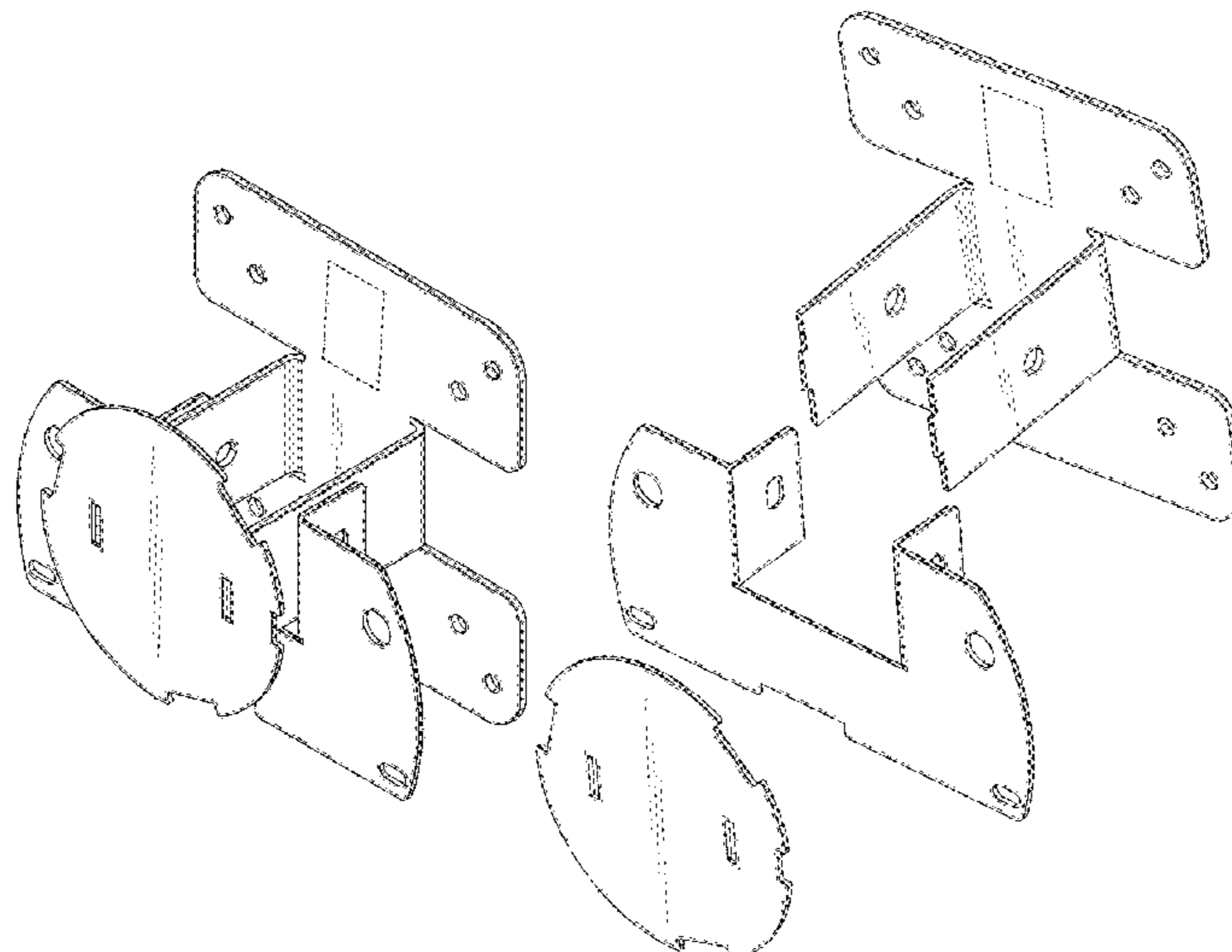
(56) **References Cited**

U.S. PATENT DOCUMENTS

4,717,106 A 1/1988 Bies et al.  
6,378,828 B1 4/2002 Valiulis et al.  
7,338,019 B2 3/2008 Liu et al.  
D565,938 S \* 4/2008 Massoumi ..... D8/363  
D621,390 S 8/2010 Skull et al.  
D638,023 S 5/2011 Skull et al.  
D671,820 S 12/2012 Henderson  
9,759,376 B2 9/2017 Xiang et al.  
9,797,547 B2 \* 10/2017 Meyer ..... F16M 13/02  
D822,453 S 7/2018 Kanter  
D822,454 S 7/2018 Kanter  
D822,650 S 7/2018 Kanter  
D823,093 S 7/2018 Kanter  
D823,094 S 7/2018 Kanter

FIG. 1 is a front top right side perspective view for a VESA mount adaptor bracket, showing my new design; FIG. 2 is a front elevational view of FIG. 1 thereof; FIG. 3 is a rear elevational view of FIG. 1 thereof; FIG. 4 is a left side elevational view of FIG. 1 thereof; FIG. 5 is a right side elevational view of FIG. 1 thereof; FIG. 6 is a top plan view of FIG. 1 thereof; FIG. 7 is a bottom plan view of FIG. 1 thereof; and, FIG. 8 is an exploded front top right side perspective view of VESA mount adaptor bracket of FIG. 1 thereof. The broken lines indicate unclaimed portions of the design and form no part of the claimed design.

**1 Claim, 8 Drawing Sheets**



(56)

References Cited

U.S. PATENT DOCUMENTS

D832,860	S	11/2018	Murphey et al.	
D833,851	S	11/2018	Kanter	
10,281,720	B2	5/2019	Huang et al.	
D852,788	S *	7/2019	Kanter .....	D14/238
2002/0174519	A1	11/2002	Huang	
2003/0071181	A1	4/2003	Valiulis et al.	
2004/0012917	A1	1/2004	Jung et al.	
2007/0090250	A1	4/2007	O'Keene	
2008/0067298	A1	3/2008	Mossman et al.	
2008/0067305	A1	3/2008	Mossman et al.	
2008/0099646	A1	5/2008	Kobara et al.	
2009/0039221	A1	2/2009	Powers et al.	
2009/0050760	A1	2/2009	Duff	
2010/0065702	A1	3/2010	Hsu	
2011/0157805	A1	6/2011	Mi et al.	
2012/0025046	A1	2/2012	Yen	
2015/0354766	A1 *	12/2015	Townsend, Jr. ....	E01F 9/658 362/370

OTHER PUBLICATIONS

“VESA Adapter for Samsung Monitors” by Humancentric, Found Online on [May 16, 2019] <https://cdn.shopify.com/s/files/1/0750/2813/files/101-1011-dimensions.png?17783914482415288115>.

“VESA Mount Adapter Bracket for Samsung Monitors” by Humancentric, Found Online on [May 16, 2019] [https://images-na.ssl-images-amazon.com/images/I/61%2BfjiQunOL.\\_SL1500\\_.jpg](https://images-na.ssl-images-amazon.com/images/I/61%2BfjiQunOL._SL1500_.jpg).  
 “Mini Mount & Cable Cover Mini” by Yumpu, Found Online on [May 16, 2019] <https://www.yumpu.com/en/document/read/25801097/mini-mount-cable-cover-ministand-minipc2-rmcom>.  
 “Ultra Slim Small Size Profile TV Bracket Wall Mount” by Kaloc, Found Online on [May 16, 2019] [http://tvstand.my/image/cache/data/%20V6/LCD\\_TV\\_Wall\\_Mount\\_Tilt\\_Bracket\\_for\\_10\\_to\\_40\\_inch\\_Screen\\_E1\\_blk\\_6-960x960.jpg](http://tvstand.my/image/cache/data/%20V6/LCD_TV_Wall_Mount_Tilt_Bracket_for_10_to_40_inch_Screen_E1_blk_6-960x960.jpg).  
 U.S. Trademark Registration No. 4825669; Logo Mark—Gladiator Joe Registration date: Oct. 6, 2015 Publication date: Jul. 21, 2015.  
 U.S. Trademark Registration No. 88421041; Logo Mark—G J Registration date: Oct. 6, 2015 Publication date: Jul. 21, 2015.  
 U.S. Trademark Registration No. 88421041; Logo Mark—I Am Gladiator I Am Victorious Registration date: Sep. 26, 2017 Publication date: Sep. 10, 2016.  
 “Samsung Monitor VESA Adapter Bracket—GJ0A0052-R2” by Gladiator Joe, Found Online on [May 16, 2019] [https://gladiatorjoe.com/wp-content/uploads/2017/10/gladiatorjoe\\_monitor\\_vesa\\_adapter\\_GJ0A0052-R2\\_WEBSITE-300x300.jpg](https://gladiatorjoe.com/wp-content/uploads/2017/10/gladiatorjoe_monitor_vesa_adapter_GJ0A0052-R2_WEBSITE-300x300.jpg).  
 “Dell Monitor VESA Adapter Bracket—GJ0A0039-R2” by Gladiator Joe, Found Online on [May 16, 2019] [https://gladiatorjoe.com/wp-content/uploads/2017/11/gladiatorjoe\\_monitor\\_vesa\\_adapter\\_GJ0A0039-R2\\_SHADOW-300x300.jpg](https://gladiatorjoe.com/wp-content/uploads/2017/11/gladiatorjoe_monitor_vesa_adapter_GJ0A0039-R2_SHADOW-300x300.jpg).

\* cited by examiner

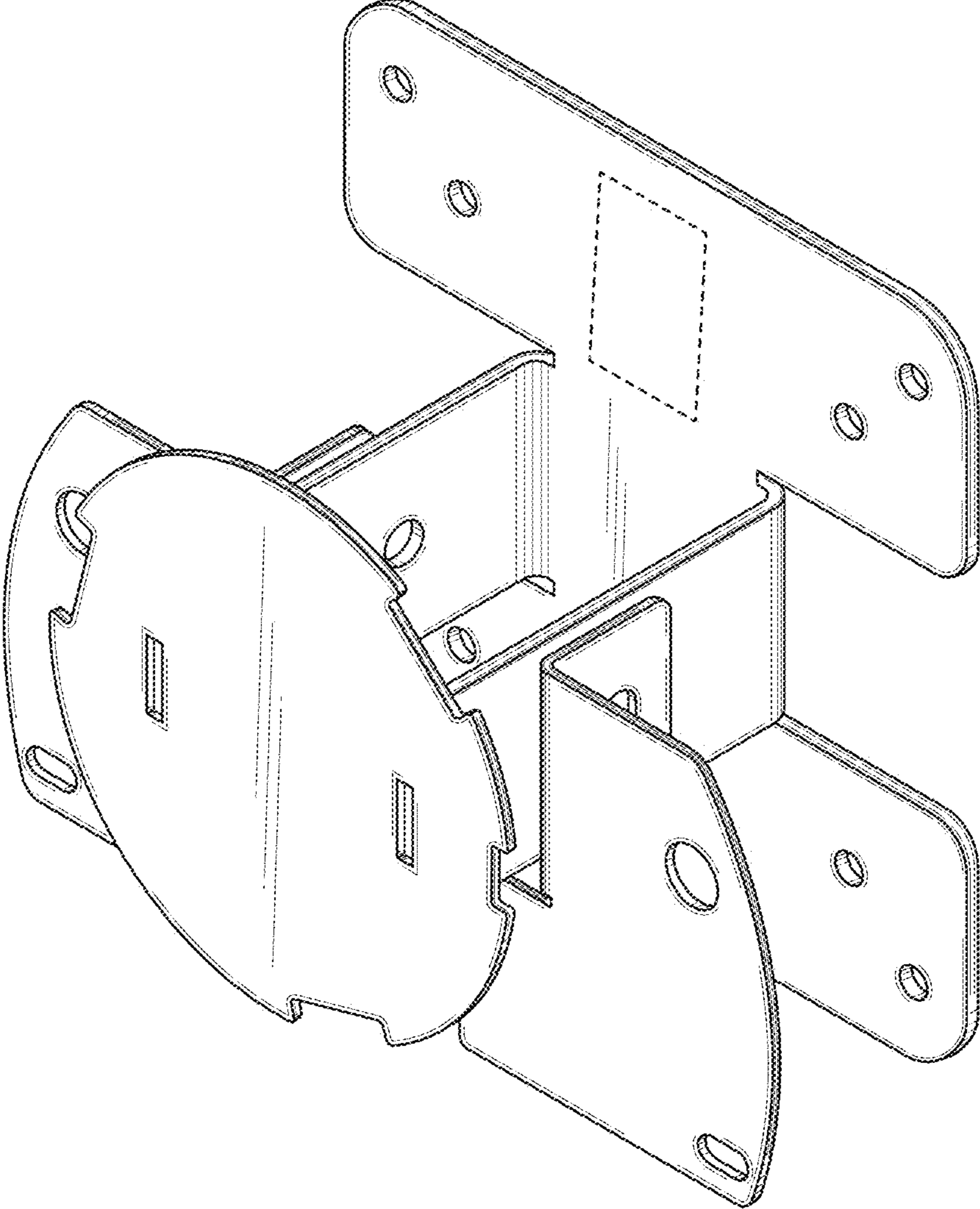


FIG. 1



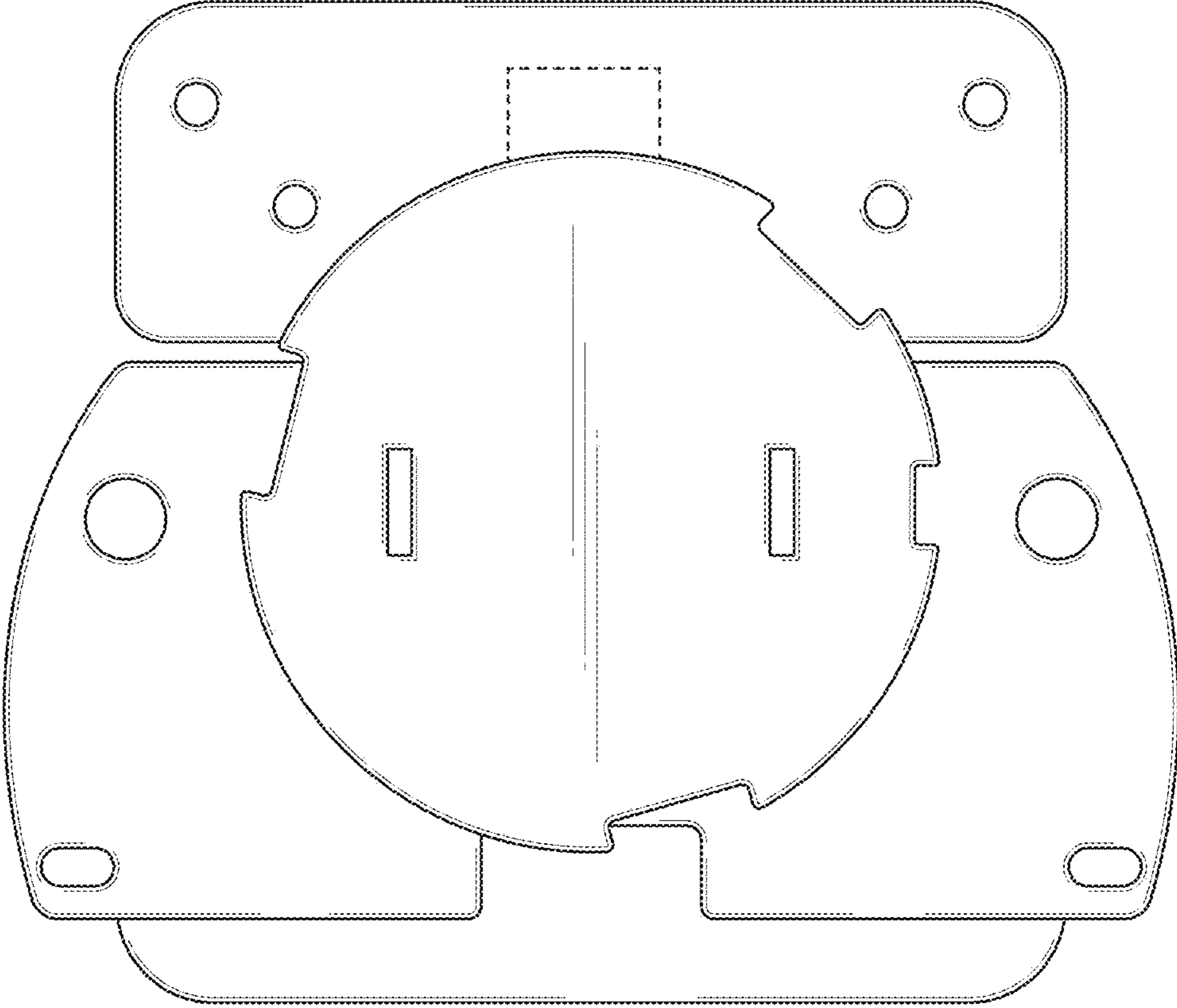


FIG. 2

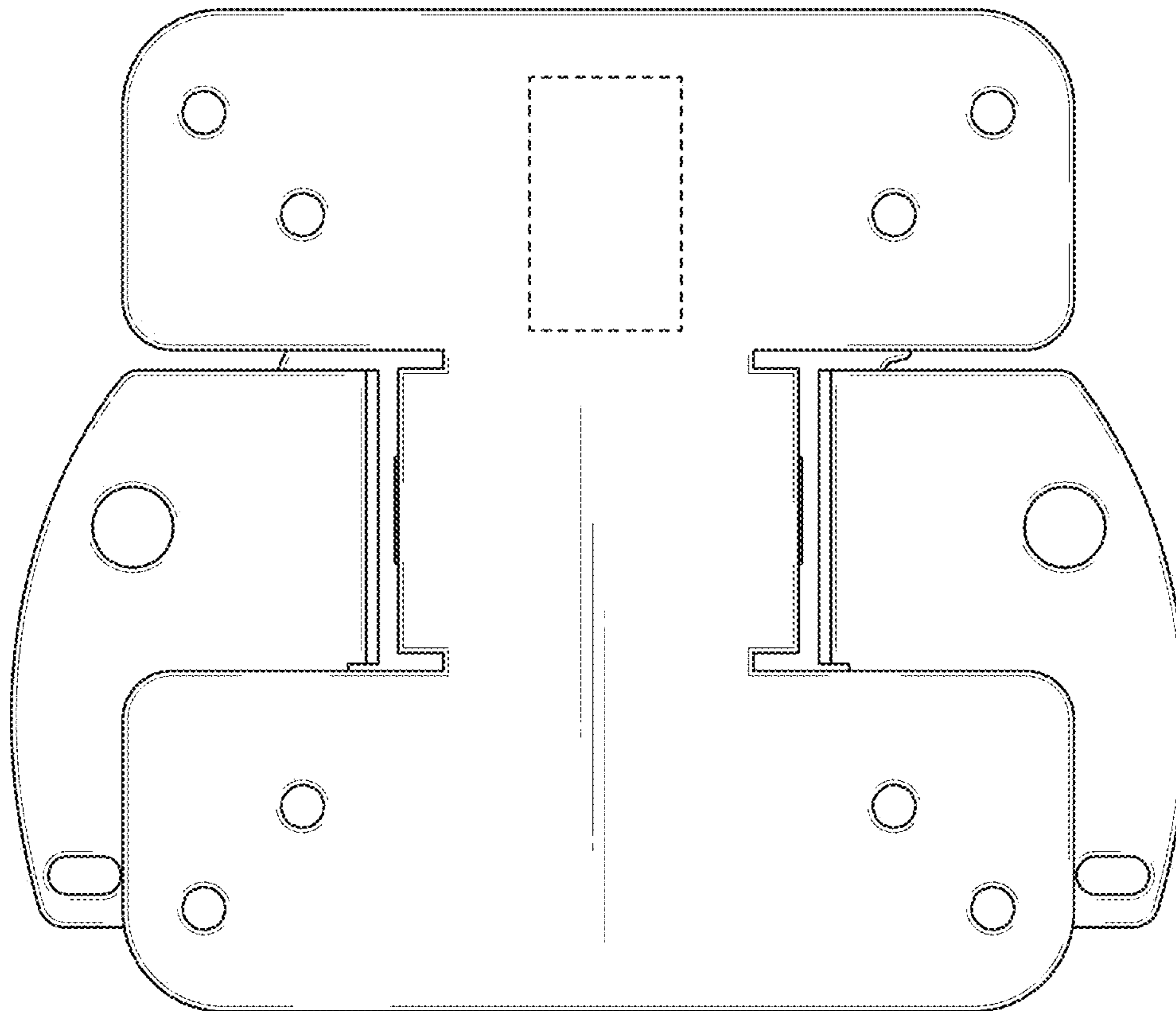


FIG. 3

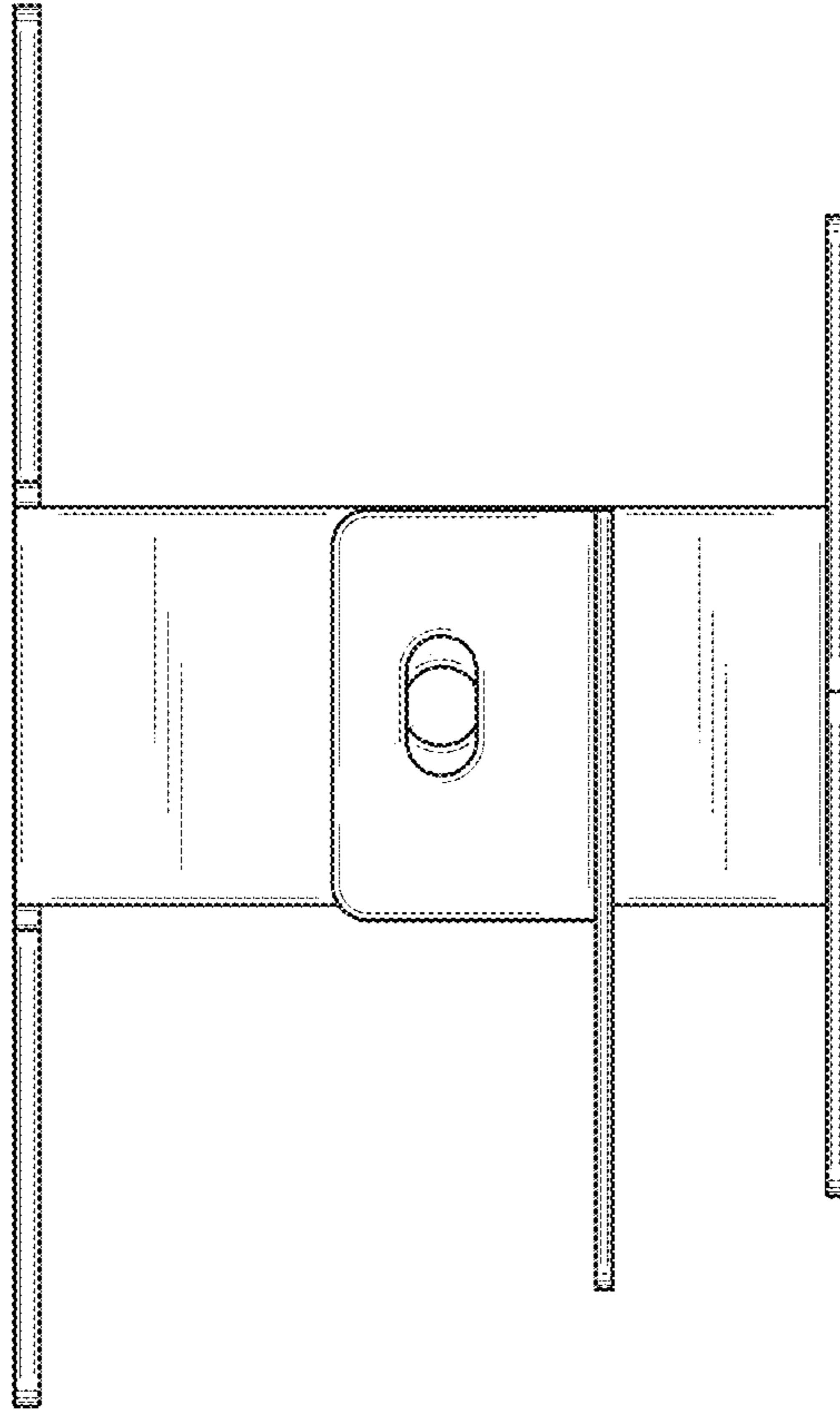


FIG. 4

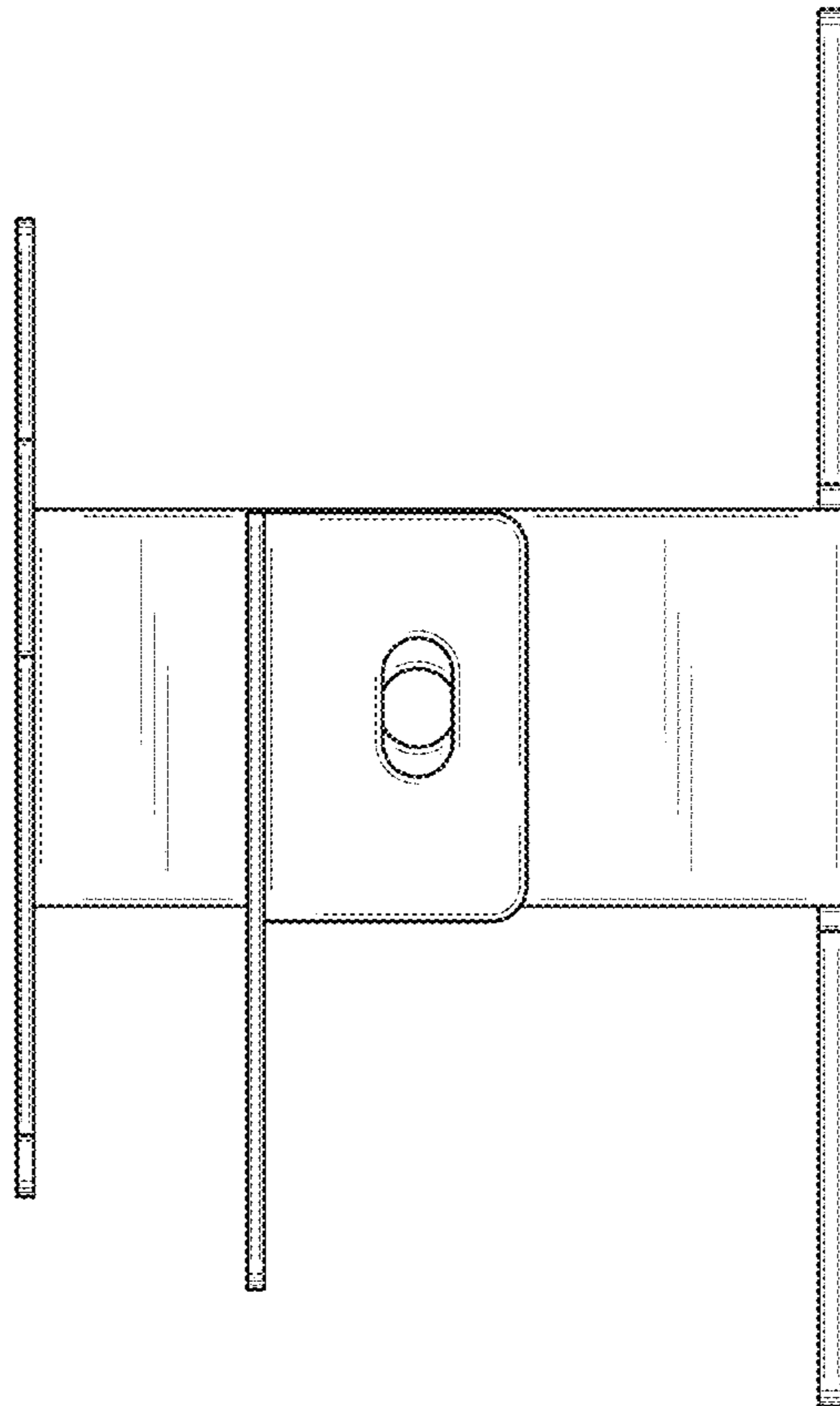


FIG. 5

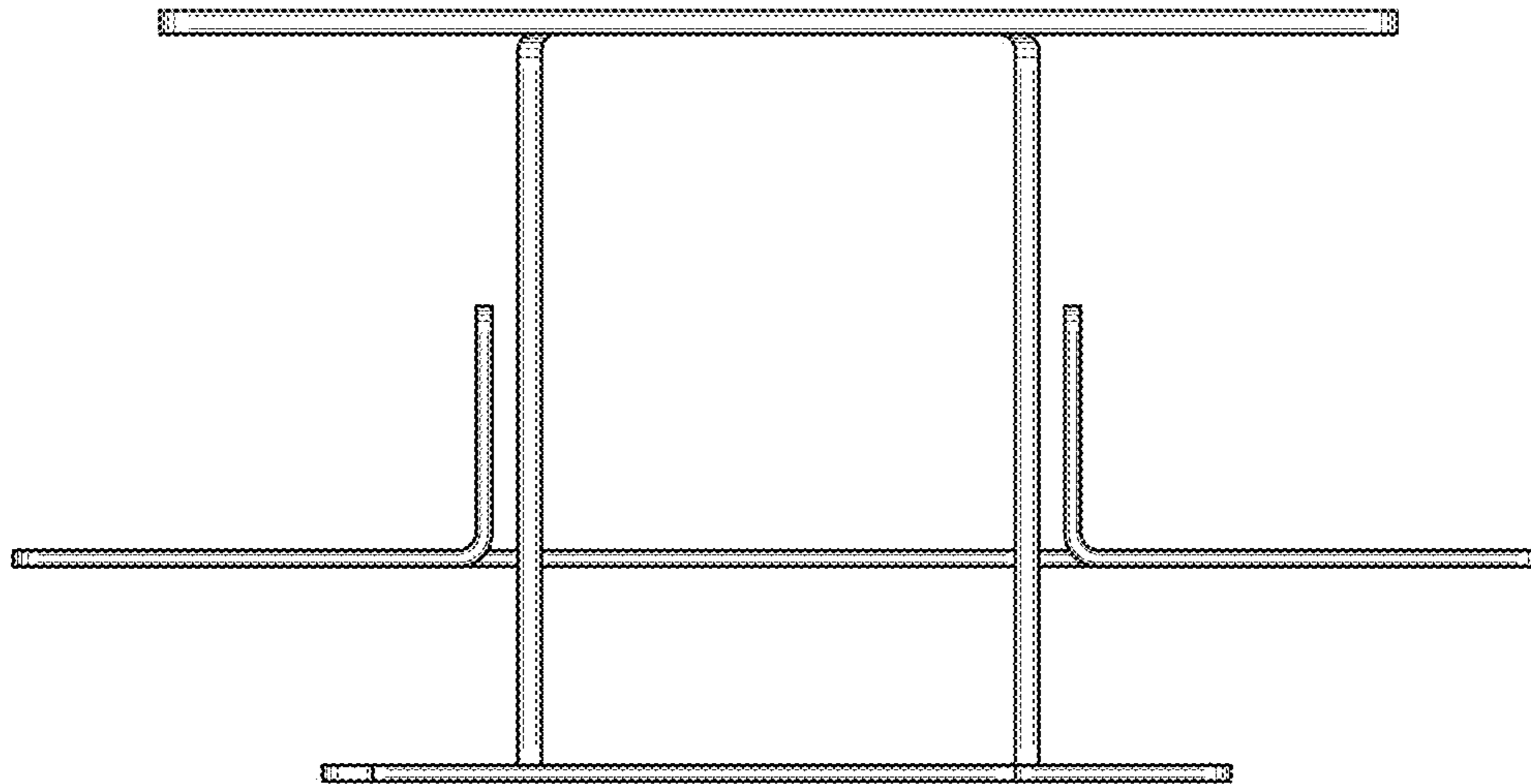


FIG. 6



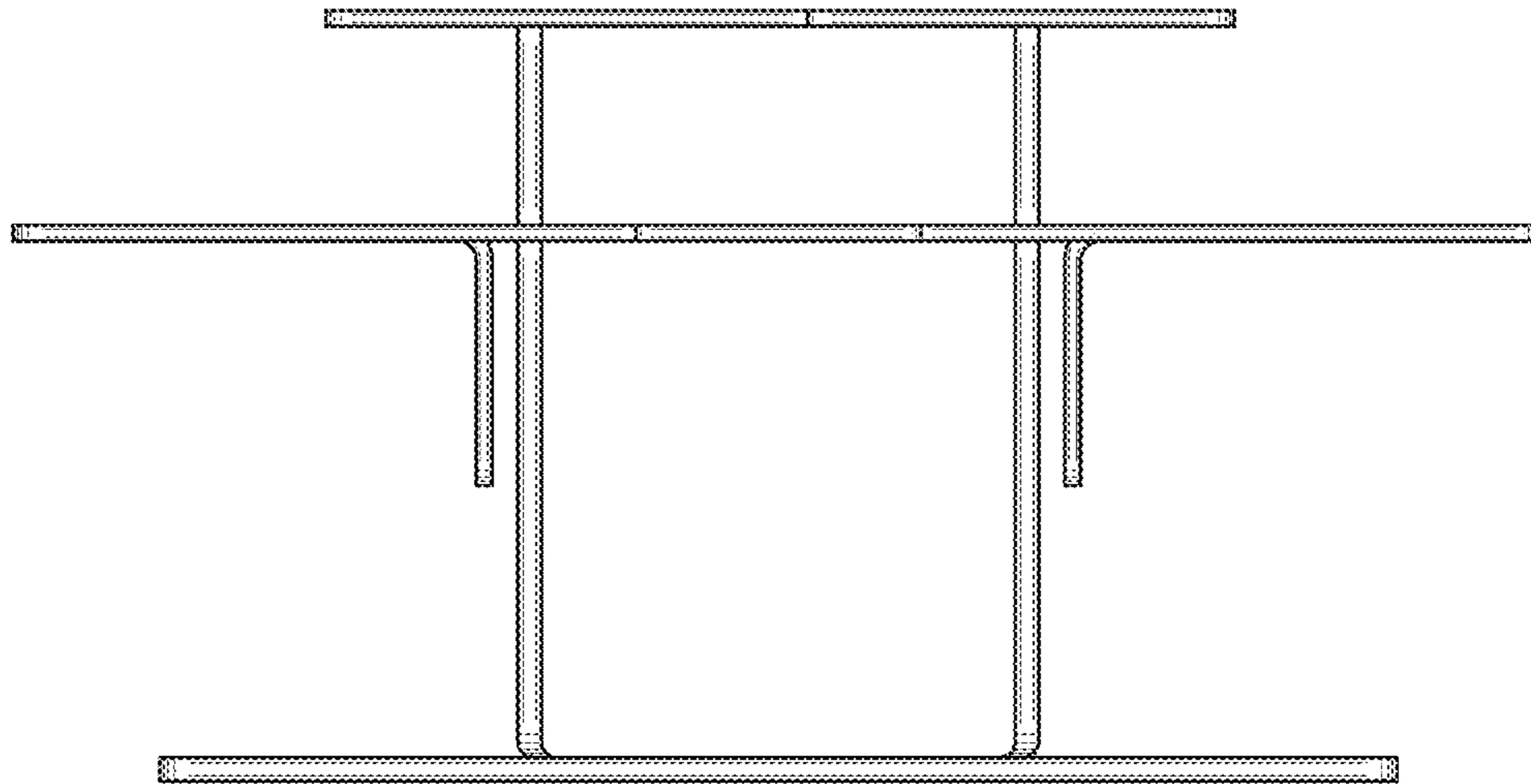


FIG. 7

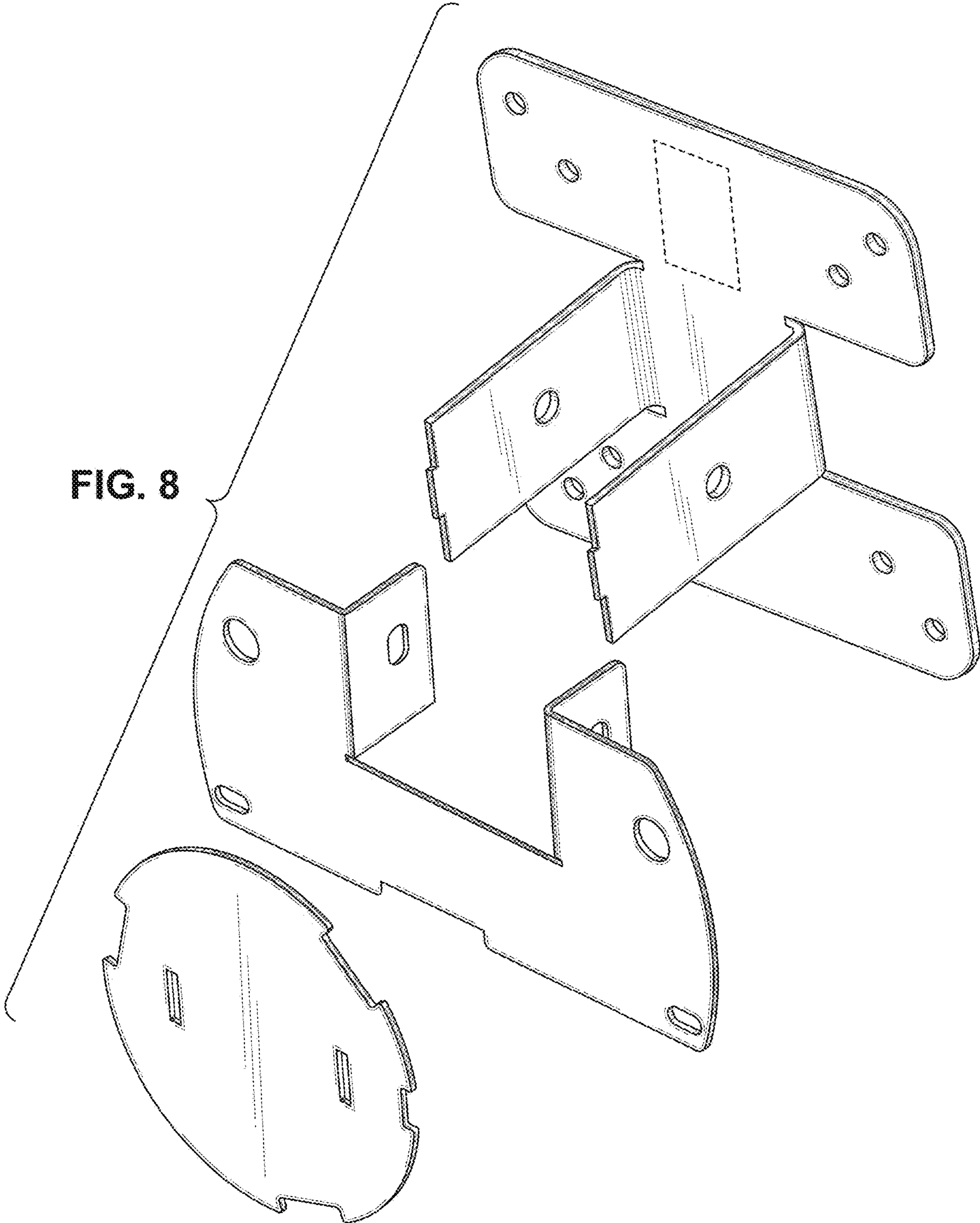


FIG. 8