



US00D899224S

(12) **United States Design Patent**
Elliott

(10) **Patent No.:** **US D899,224 S**

(45) **Date of Patent:** **** Oct. 20, 2020**

(54) **SUCTION CUP WITH HANDLE AND BASE**

(71) Applicant: **Kenney Manufacturing Company,**
Warwick, RI (US)

(72) Inventor: **Timothy Elliott,** Attleboro, MA (US)

(73) Assignee: **Kenney Manufacturing Company,**
Warwick, RI (US)

(**) Term: **15 Years**

(21) Appl. No.: **29/688,960**

(22) Filed: **Apr. 25, 2019**

(51) **LOC (12) Cl.** **08-05**

(52) **U.S. Cl.**
USPC **D8/354**

(58) **Field of Classification Search**
USPC D8/60, 61, 77, 82, 342, 349, 354, 355,
D8/356, 357, 382, 396, 499
CPC F16B 47/003; F16B 47/006; A47G 1/16;
A47G 1/17; A45D 42/14
See application file for complete search history.

(56) **References Cited**

U.S. PATENT DOCUMENTS

D533,076 S * 12/2006 Awbrey D9/719
D576,865 S * 9/2008 Chiang D8/349
D637,823 S * 5/2011 Sakuma D6/320
D747,644 S * 1/2016 Snider D8/394
9,611,884 B1 * 4/2017 Kuo F16B 47/00

D833,852 S * 11/2018 Umholtz D8/354
2015/0330438 A1 * 11/2015 Shi F16M 13/022
248/205.8
2017/0306995 A1 * 10/2017 Mutch F16B 2/185

* cited by examiner

Primary Examiner — Janice Hallmark

Assistant Examiner — Harold E Blackwell, II

(74) *Attorney, Agent, or Firm* — Adler Pollock &
Sheehan P.C.

(57) **CLAIM**

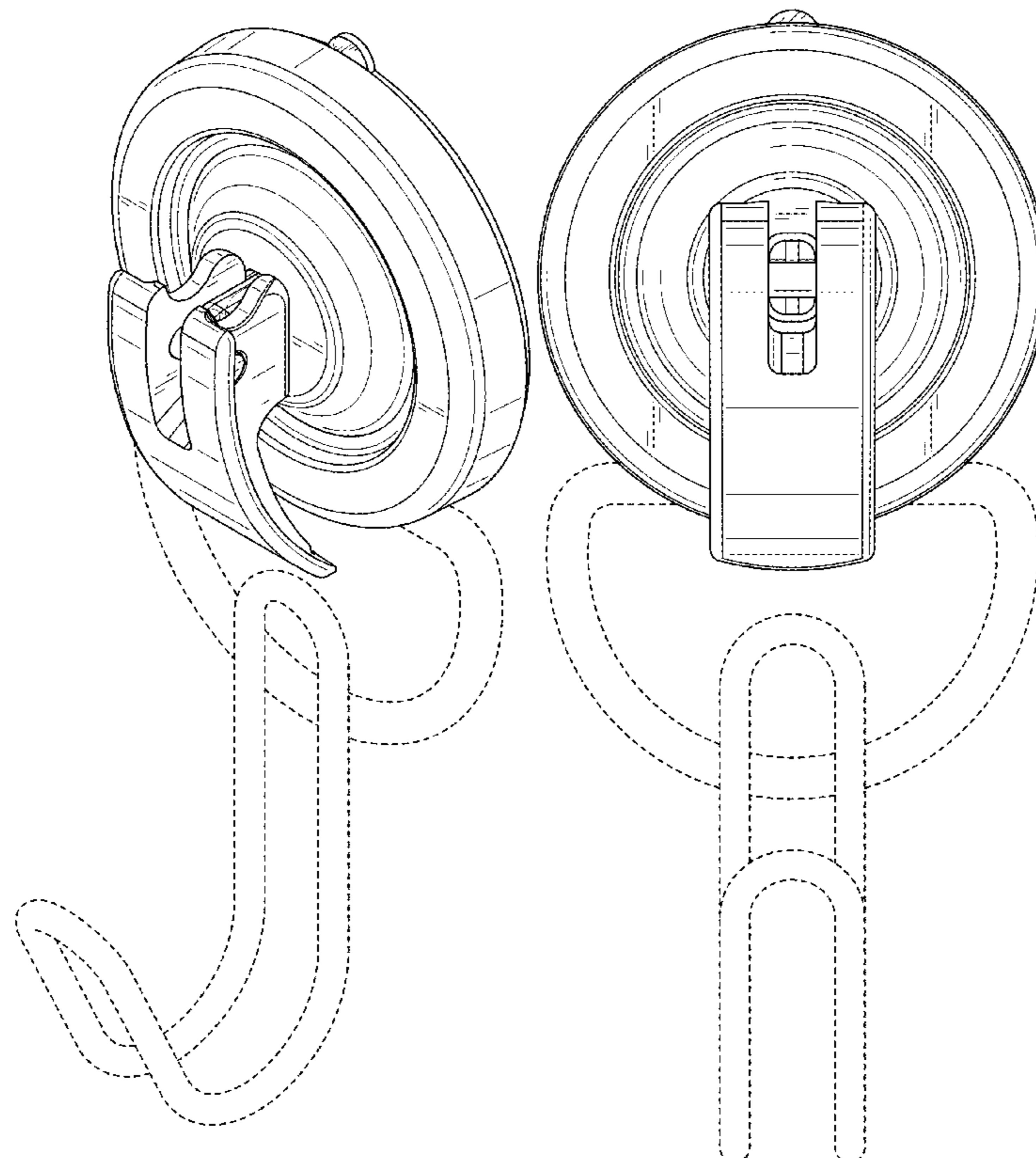
The ornamental design for a suction cup with handle and base, as shown and described.

DESCRIPTION

FIG. 1 is a perspective view of the suction cup with handle and base showing our new design;
FIG. 2 is a front view thereof;
FIG. 3 is a back view thereof;
FIG. 4 is a side view thereof;
FIG. 5 is an opposite side view thereof;
FIG. 6 is a top view thereof; and,
FIG. 7 is a bottom view thereof.

The broken lines in the drawings showing parts of the suction cup handle and base are for illustrative purposes only and form no part of the claimed design.

1 Claim, 7 Drawing Sheets



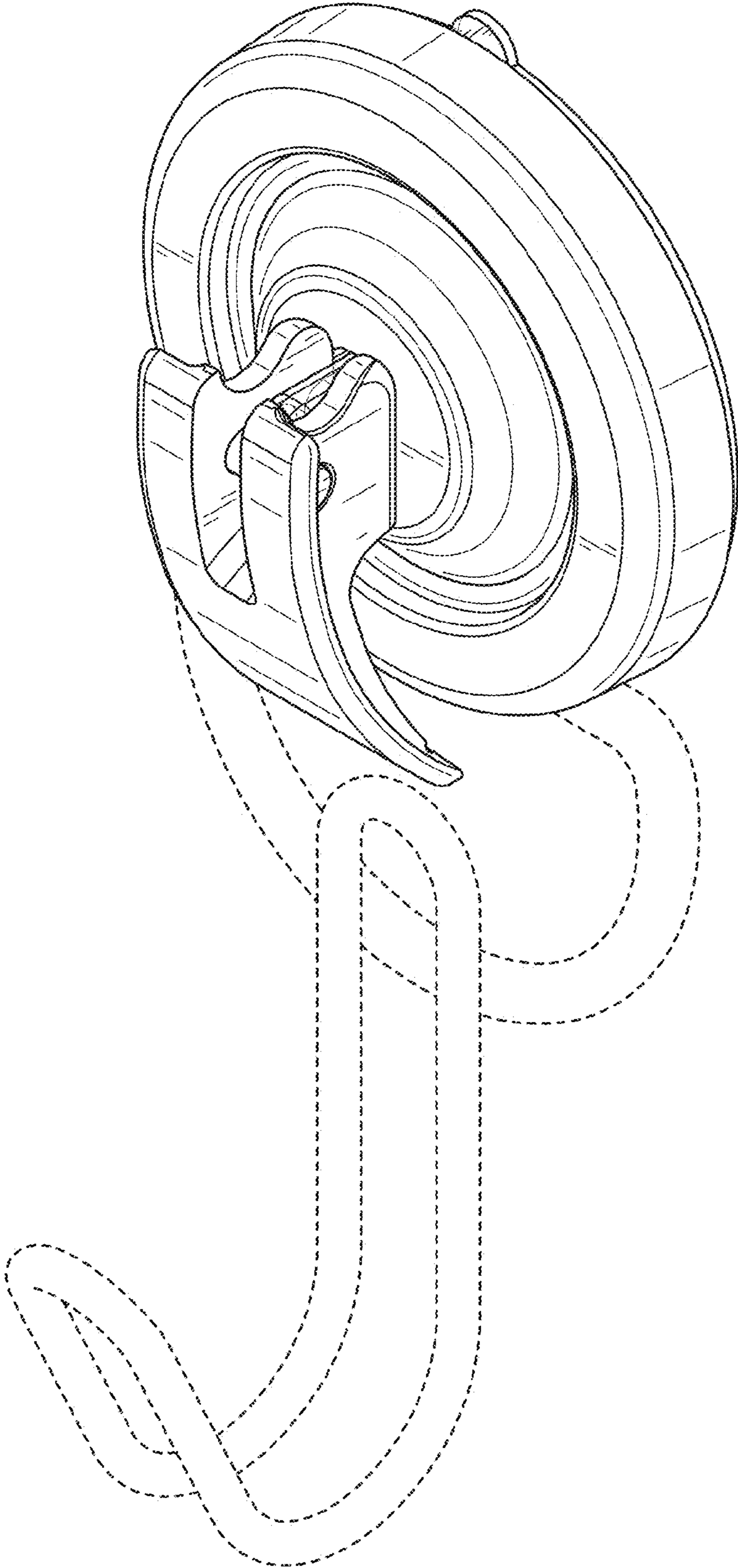


FIG. 1

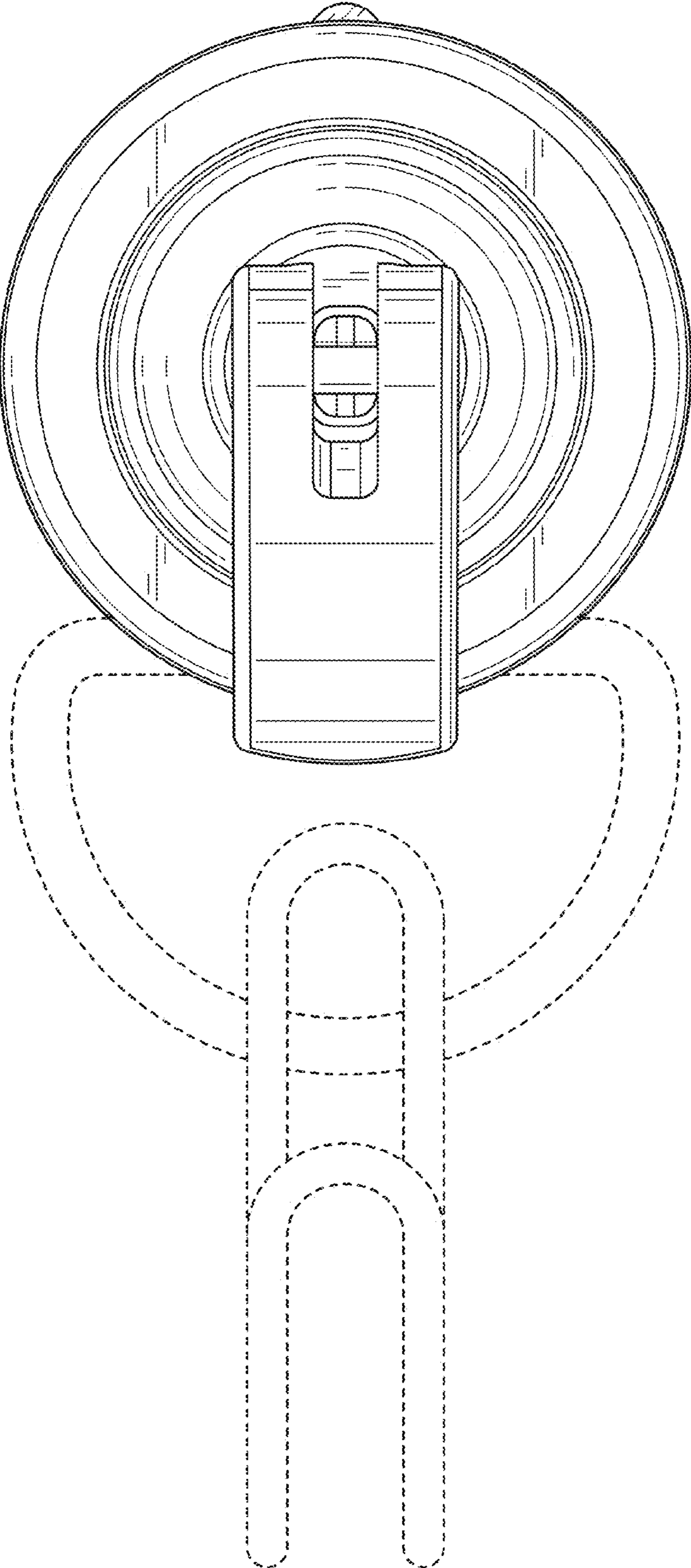


FIG. 2

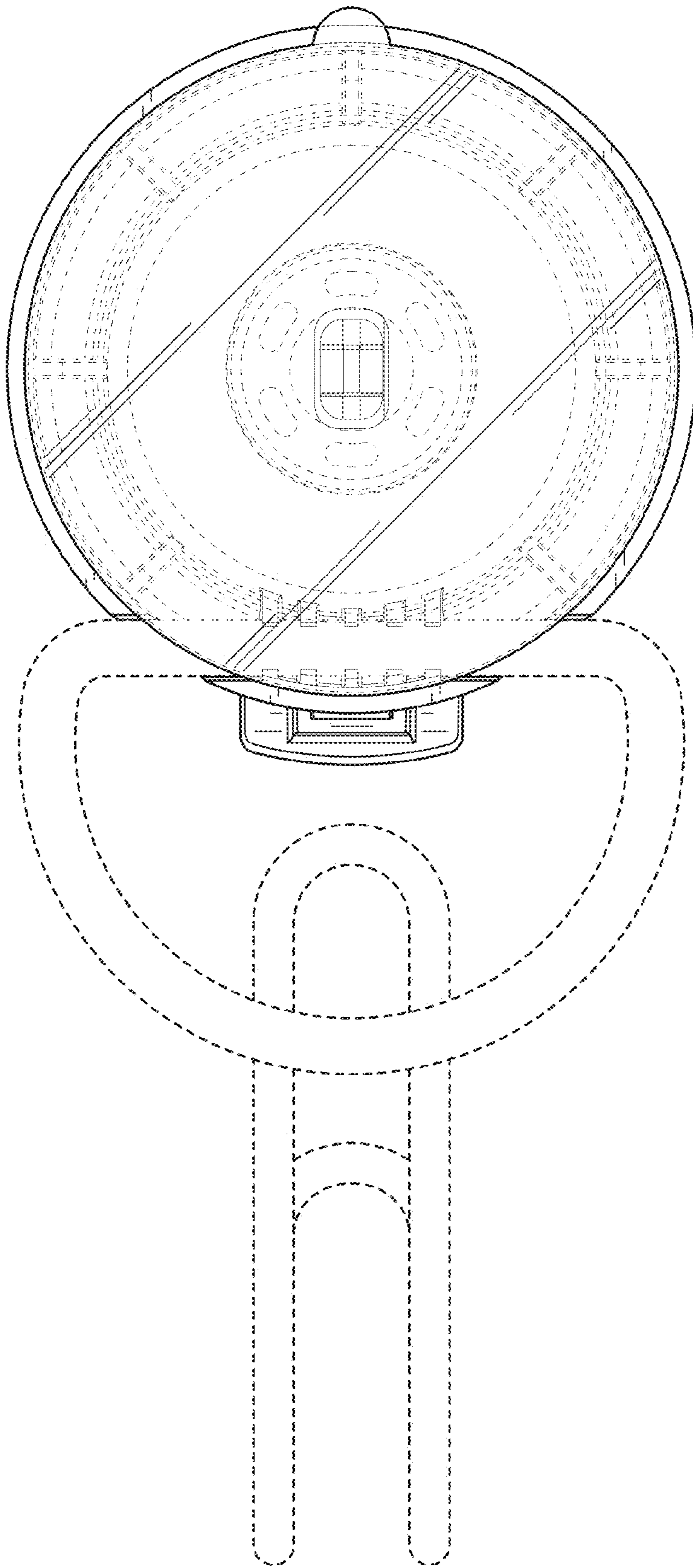


FIG. 3

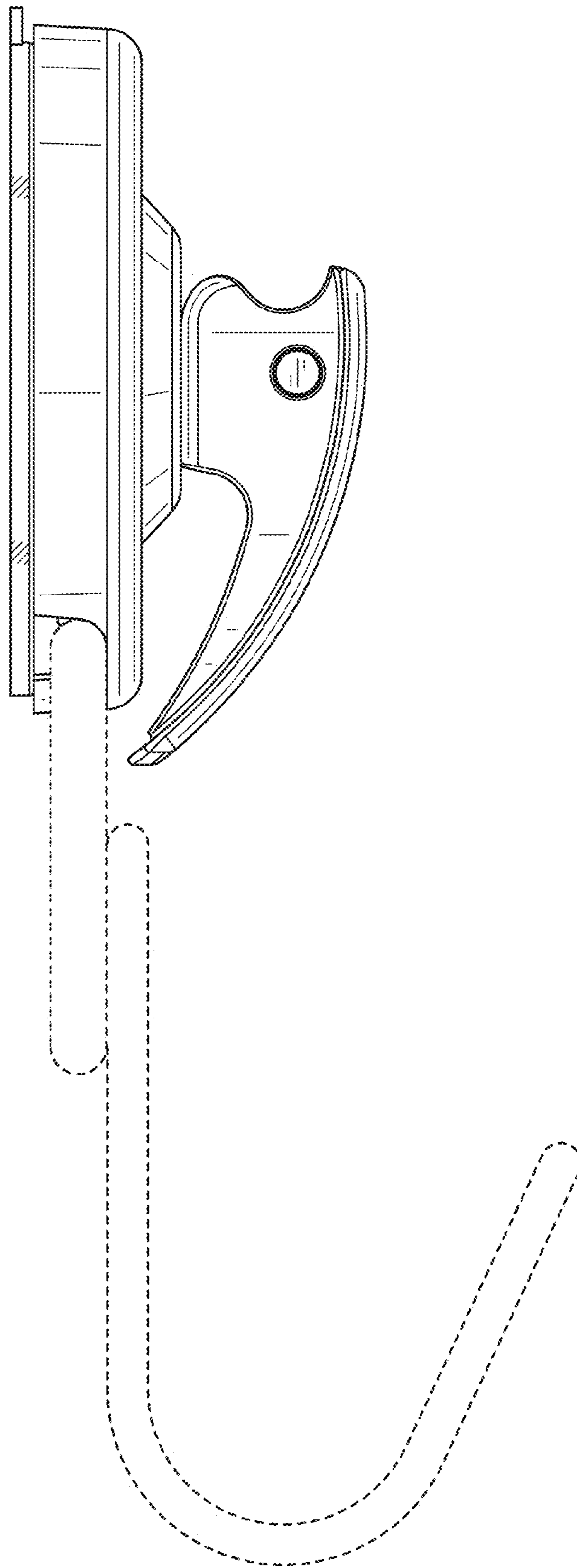


FIG. 4

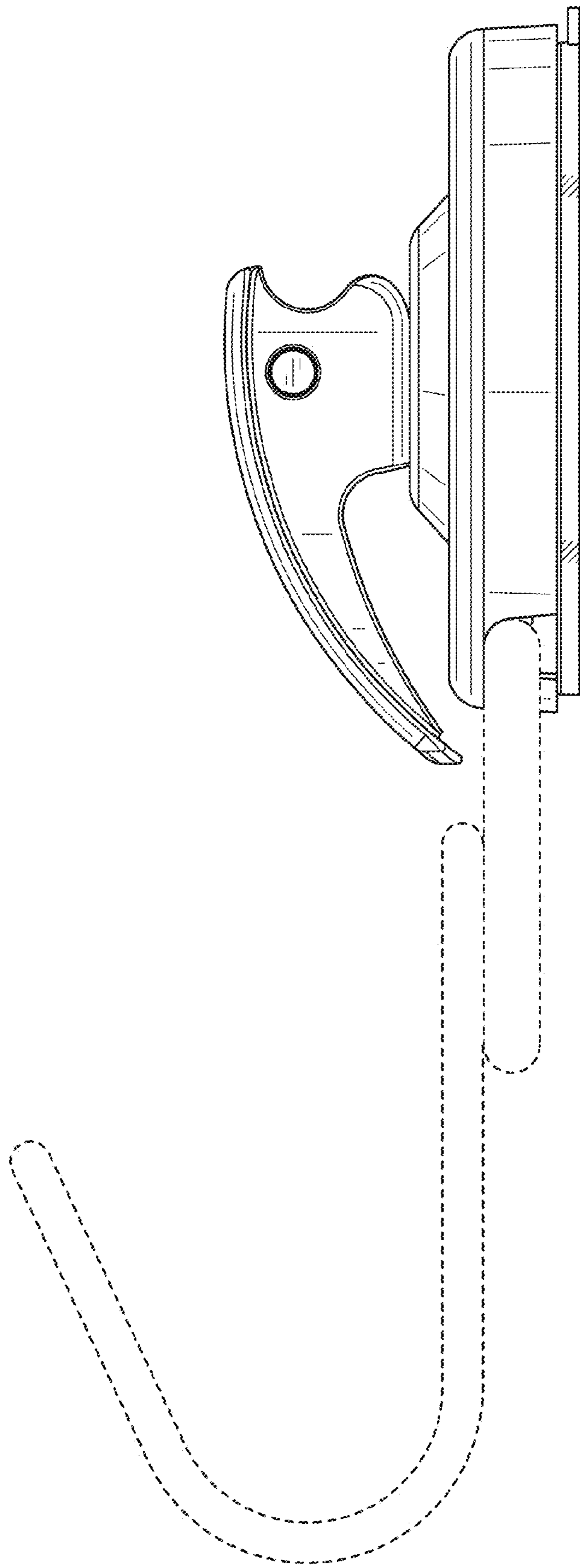


FIG. 5

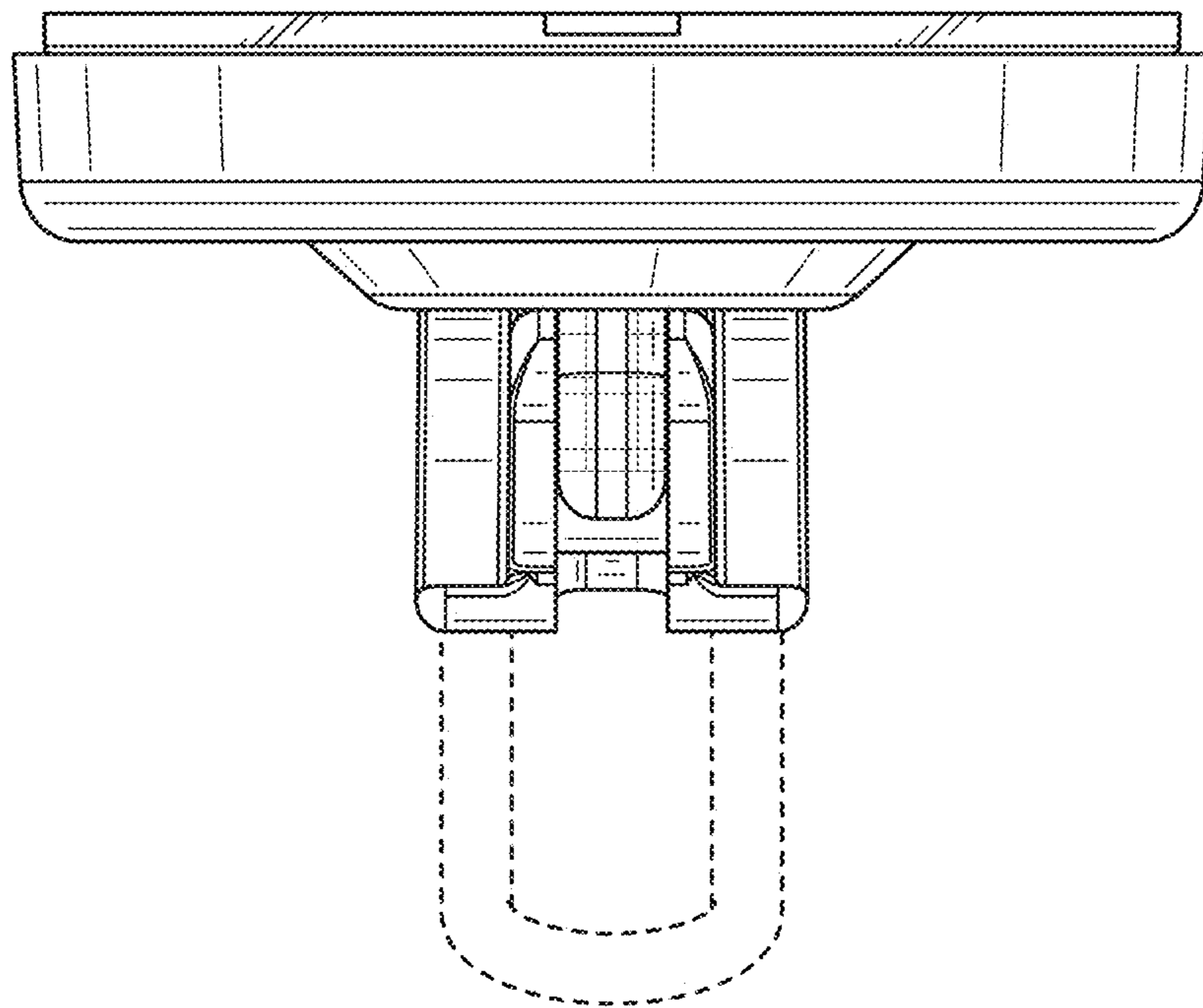


FIG. 6

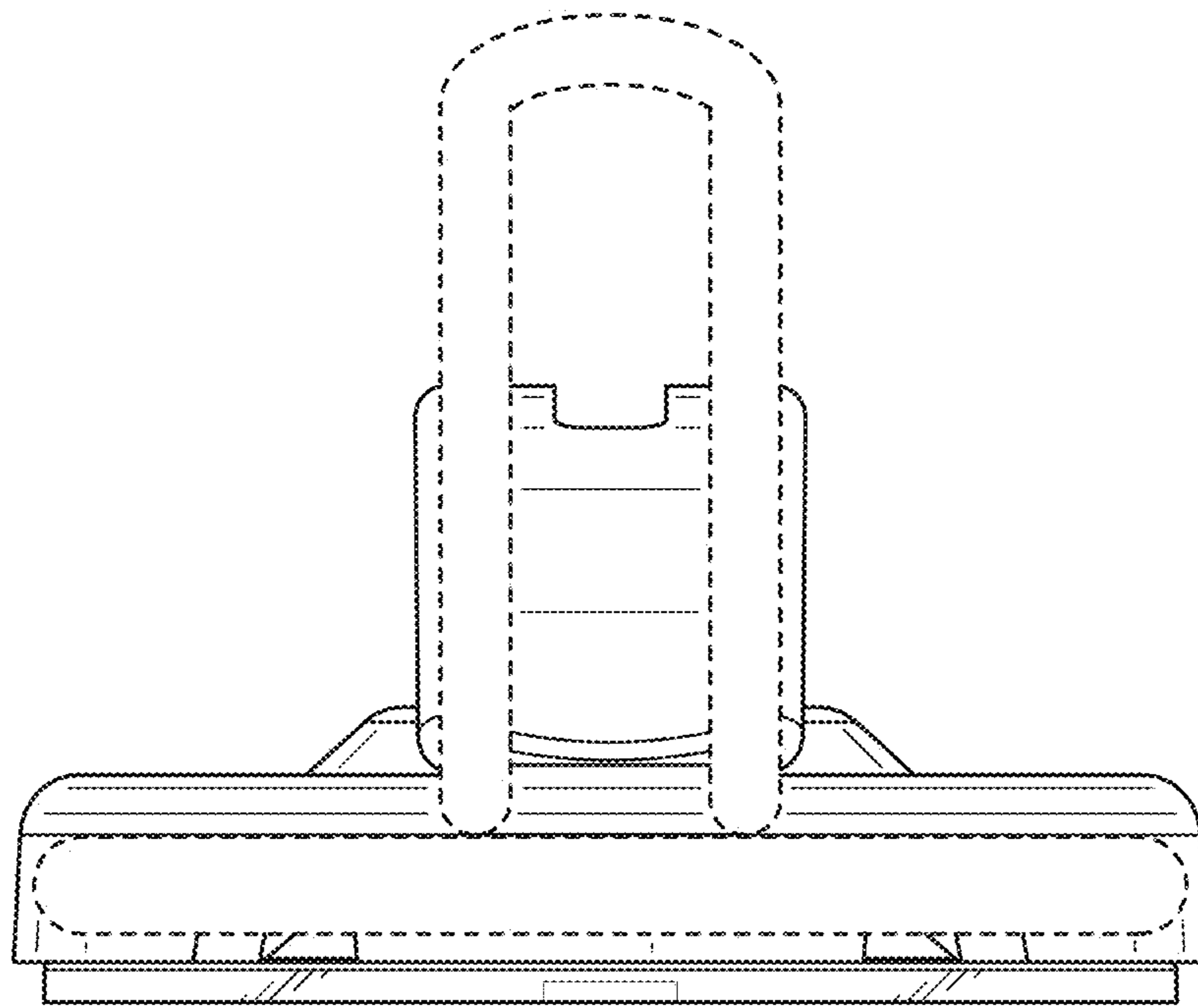


FIG. 7