



US00D899223S

(12) **United States Design Patent**
Landgren

(10) **Patent No.:** **US D899,223 S**

(45) **Date of Patent:** **** Oct. 20, 2020**

(54) **POSITIONING CLIP**

(71) Applicant: **Carl Landgren**, Milwaukee, WI (US)

(72) Inventor: **Carl Landgren**, Milwaukee, WI (US)

(**) Term: **15 Years**

(21) Appl. No.: **29/681,063**

(22) Filed: **Feb. 22, 2019**

(51) **LOC (12) Cl.** **08-05**

(52) **U.S. Cl.**
USPC **D8/354**

(58) **Field of Classification Search**
USPC D8/349, 354, 380, 381, 382, 388, 394,
D8/395, 396, 499; D6/702, 705.6
CPC ... A47B 47/0025; A47B 96/06; A47B 96/024;
A47B 96/028; A47B 96/066; A47B
96/068; A47B 2096/1491; A47B 96/063
See application file for complete search history.

(56) **References Cited**

U.S. PATENT DOCUMENTS

- 3,313,009 A * 4/1967 Beckerer F16L 3/13
248/74.2
- D257,950 S * 1/1981 Van Meter, Jr. D13/154
- D279,959 S * 8/1985 Nimmo D8/382
- D295,723 S * 5/1988 Shioda D8/380
- D299,213 S * 1/1989 Puntillo D8/395
- D306,553 S * 3/1990 Rumpel D8/395
- D375,453 S * 11/1996 Fleck D8/395
- 5,580,018 A * 12/1996 Remmers A47B 55/02
108/152
- D380,145 S * 6/1997 Rumpel D26/138
- D409,479 S * 5/1999 Beugelsdyk D8/395
- 6,065,723 A * 5/2000 Skudelny A47B 65/00
248/231.31
- D438,453 S * 3/2001 Nelson D8/395
- D448,987 S * 10/2001 Davis D8/394
- D510,822 S * 10/2005 Spiers D6/682.3

- D520,352 S * 5/2006 Knight D8/395
- D537,334 S * 2/2007 Lee D8/396
- D540,156 S * 4/2007 Bryant D8/367
- D578,869 S * 10/2008 Fernandez D8/354
- D631,739 S * 2/2011 Craig D8/396
- D690,997 S * 10/2013 Zemel D7/590
- D736,609 S * 8/2015 Coats D8/394
- D753,475 S * 4/2016 Chappus D8/380
- D761,645 S * 7/2016 Kim D8/354
- D787,173 S * 5/2017 Parnell D3/10
- D798,136 S * 9/2017 Pittman D8/382
- D808,255 S * 1/2018 Pittman D8/396
- D812,456 S * 3/2018 Nolta D8/373
- D824,753 S * 8/2018 Chappus D8/380
- D825,321 S * 8/2018 Szekesy D8/394
- D841,451 S * 2/2019 McGugan D8/395
- D843,822 S * 3/2019 Chappus D8/380
- D845,115 S * 4/2019 James D8/373
- D857,488 S * 8/2019 Singh D8/394
- 10,376,059 B1 * 8/2019 Ebersole A47B 96/06

(Continued)

Primary Examiner — Sandra S Snapp

Assistant Examiner — Ieisha N Price

(74) *Attorney, Agent, or Firm* — Boyle Fredrickson, S.C.

(57) **CLAIM**

The ornamental design for a positioning clip, as shown and described.

DESCRIPTION

FIG. 1 is a top isometric view of a positioning clip incorporating my new design, the dotted lines forming no part of the claimed design;

FIG. 2 is a front elevation view thereof, the rear elevation view being a mirror image thereof;

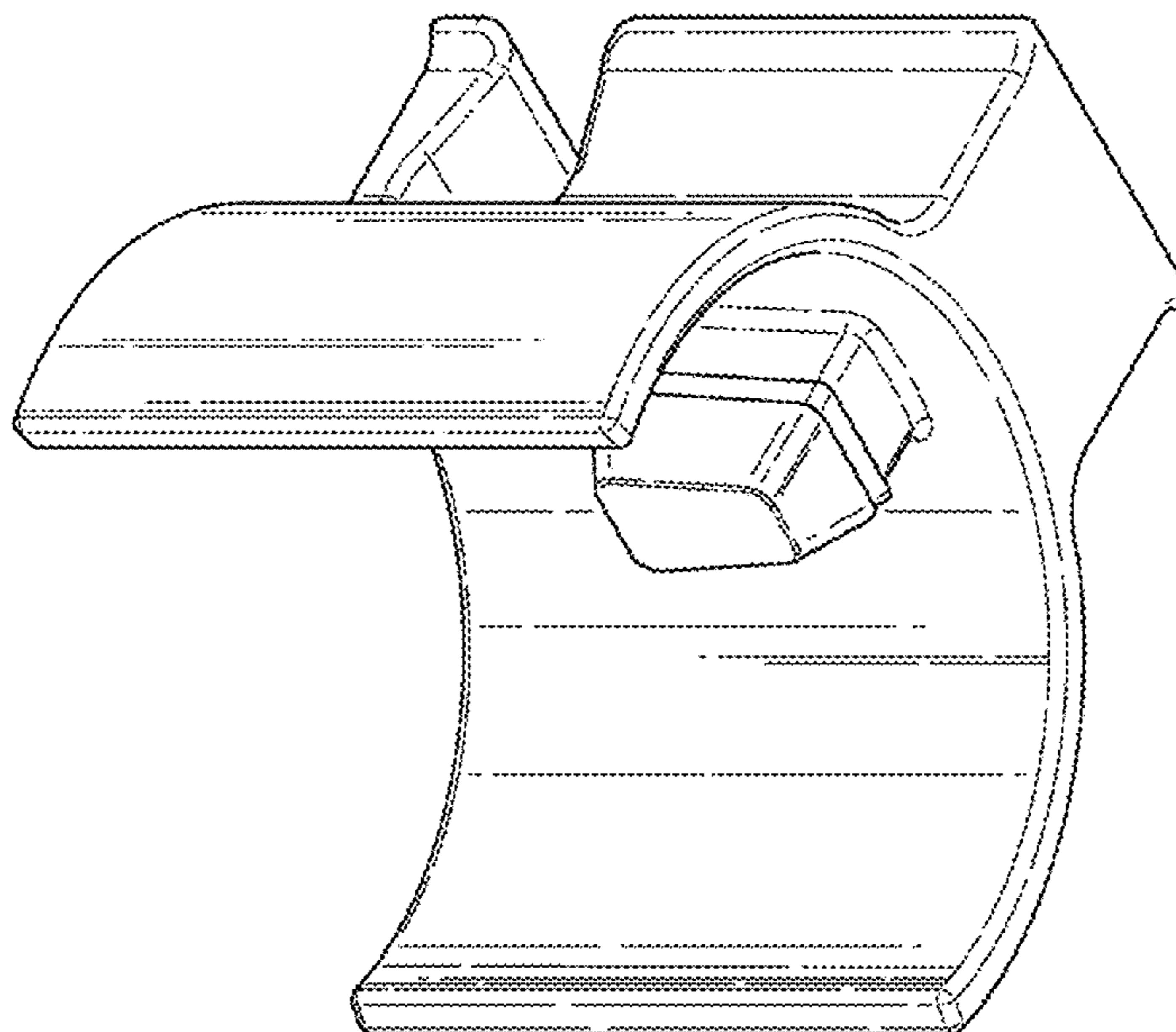
FIG. 3 is a right side elevation view thereof, the left side elevation view being a mirror image thereof;

FIG. 4 is a top plan view thereof;

FIG. 5 is a bottom plan view thereof; and,

FIG. 6 is a bottom isometric view thereof.

1 Claim, 6 Drawing Sheets



(56)

References Cited

U.S. PATENT DOCUMENTS

D858,256 S * 9/2019 Smith D8/354
D866,301 S * 11/2019 Gasparino A47B 45/00
D8/354
D869,934 S * 12/2019 Wong D8/349
D871,191 S * 12/2019 Mogensen D8/356
2007/0023374 A1 * 2/2007 Nawrocki A47F 5/0846
211/90.01
2016/0320034 A1 * 11/2016 Wessel F21V 21/088
2017/0367481 A1 * 12/2017 Ebersole A47B 96/06

* cited by examiner

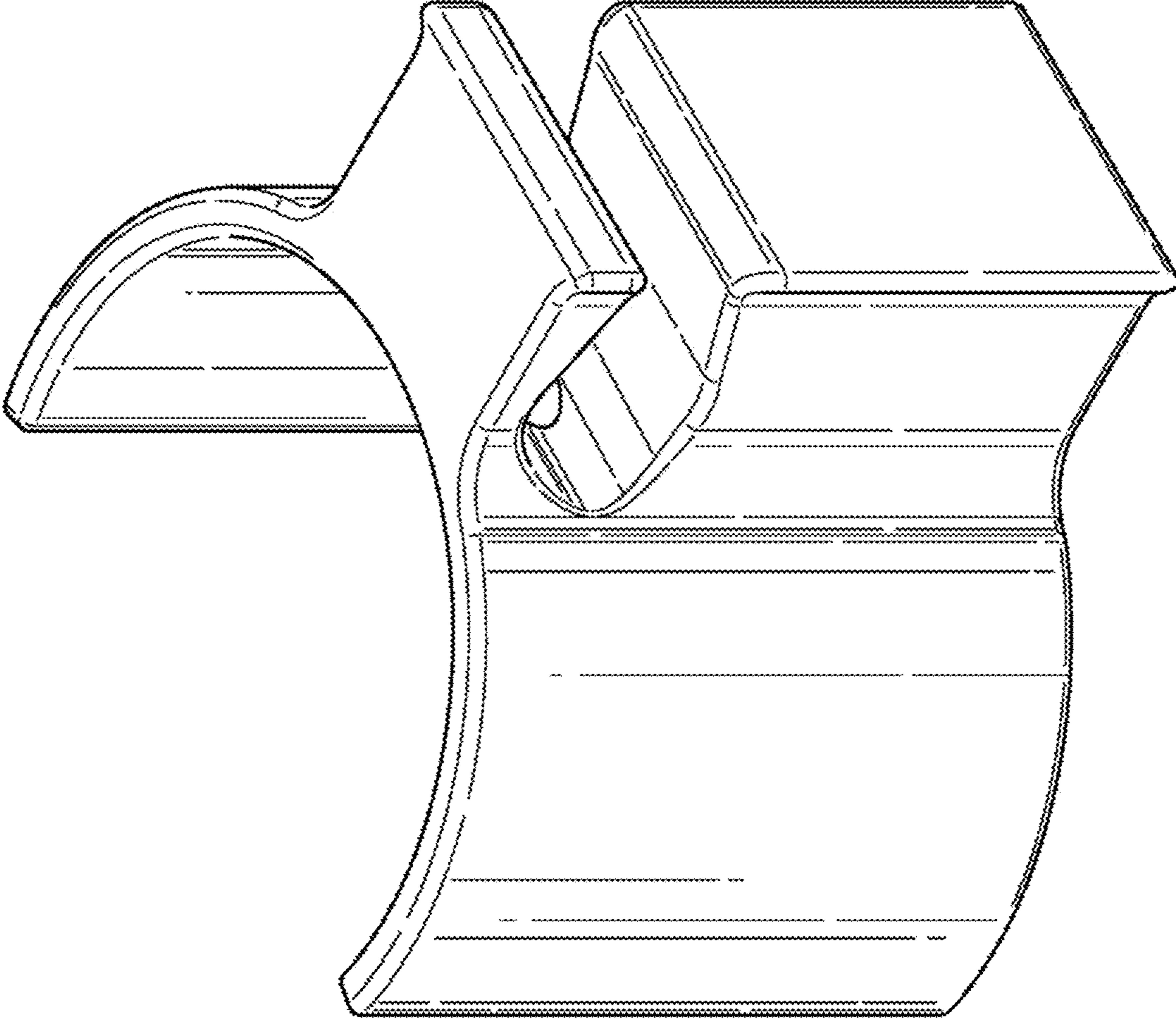


Figure 1

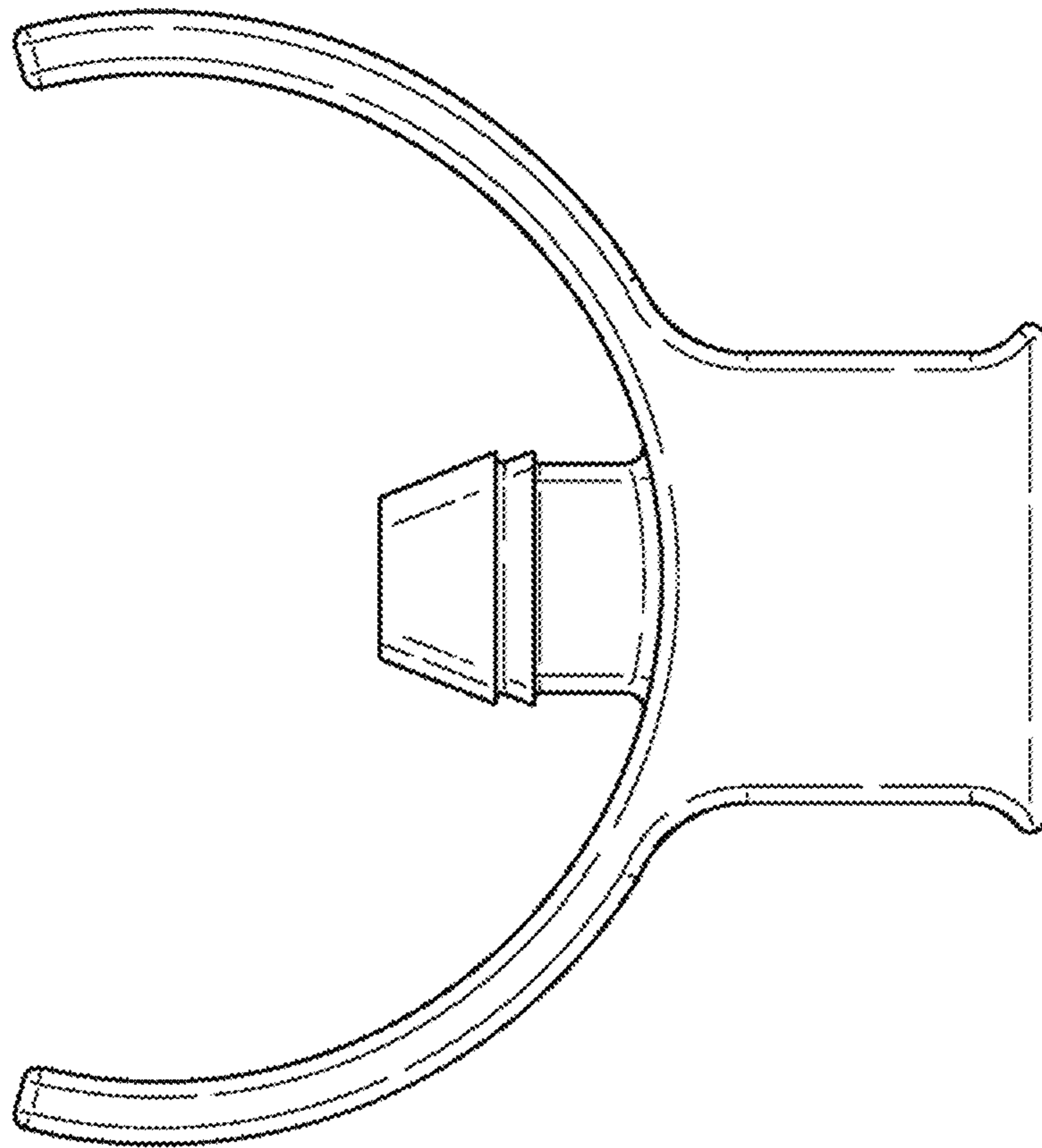


Figure 2

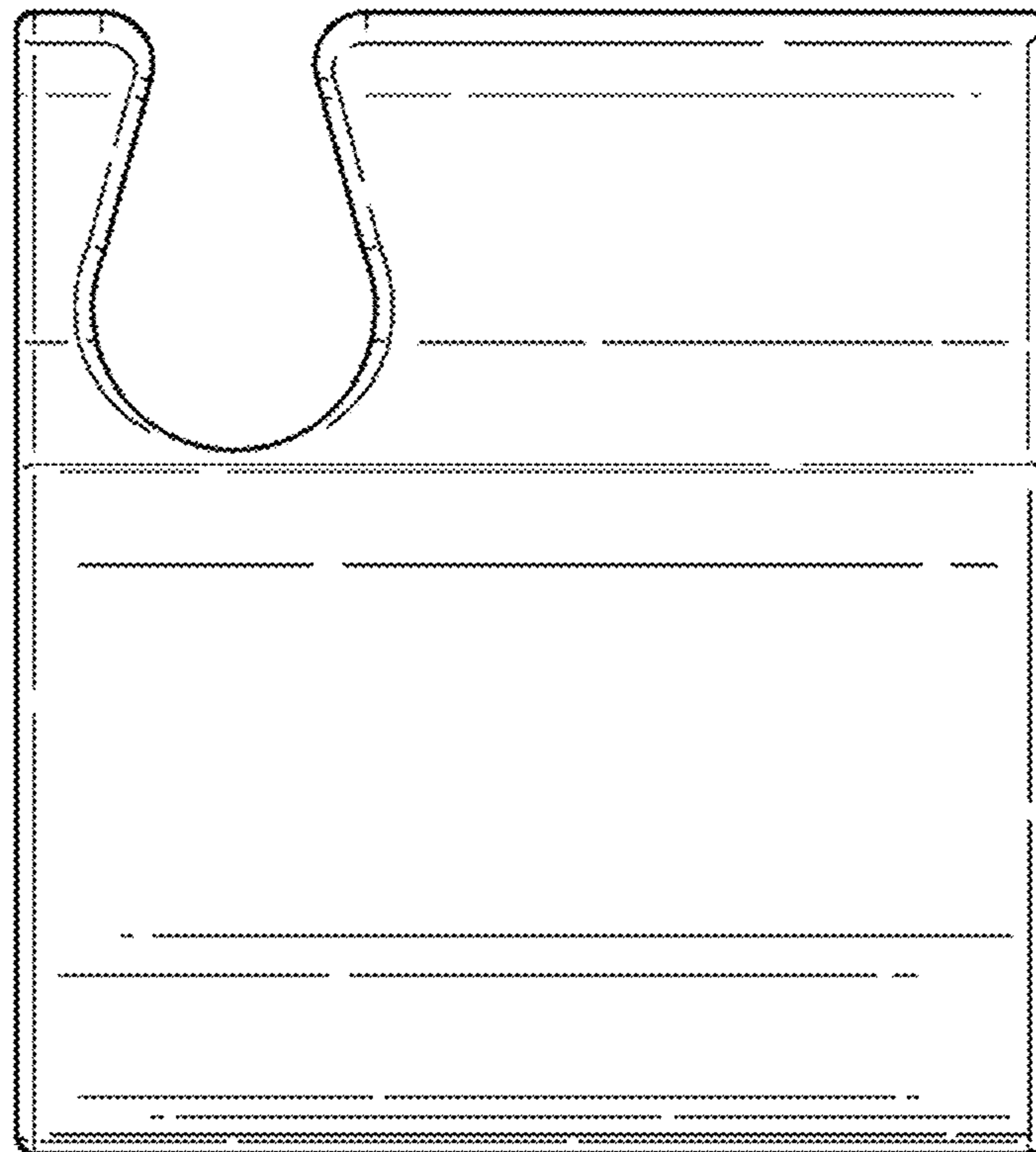


Figure 3

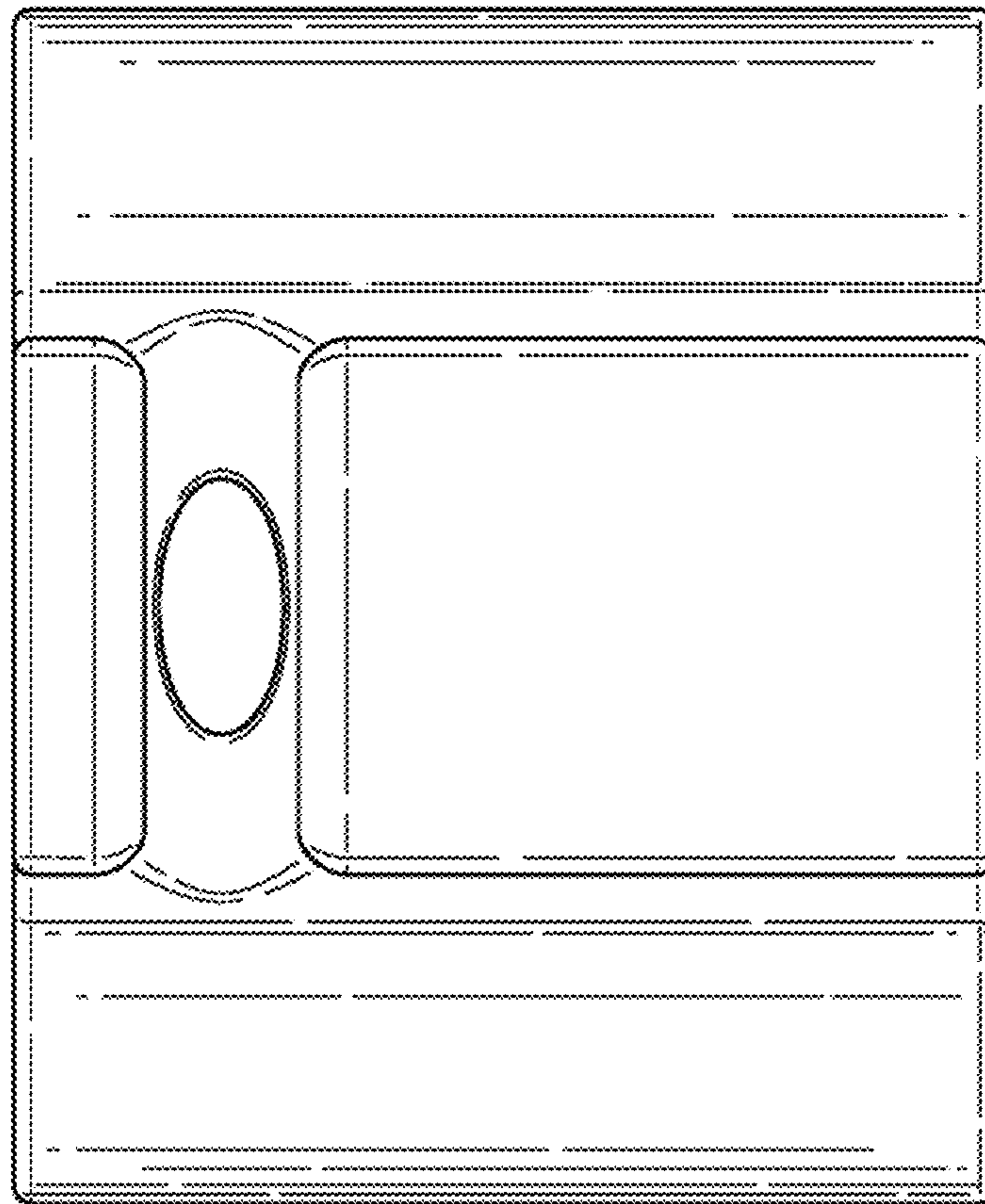


Figure 4

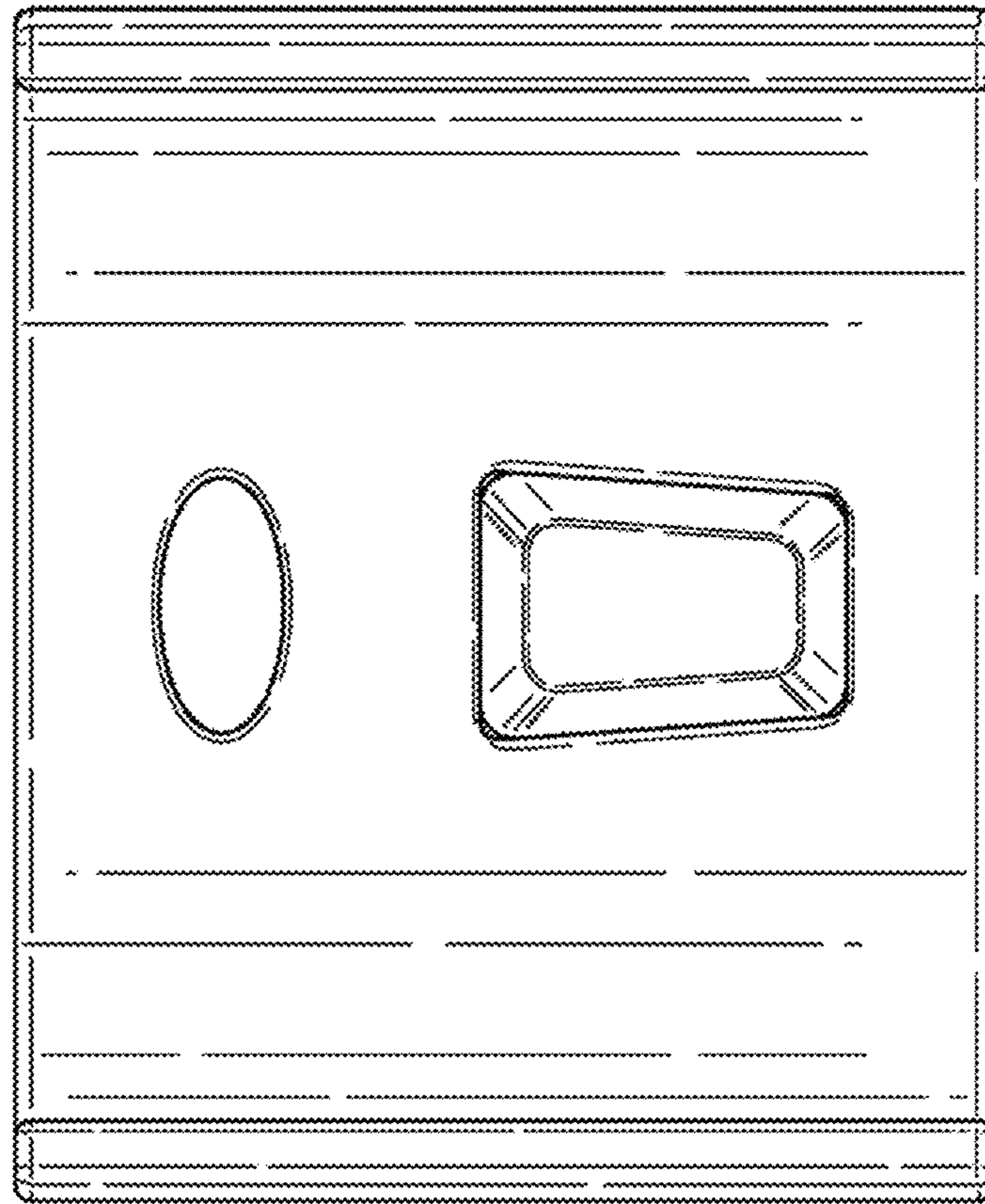


Figure 5

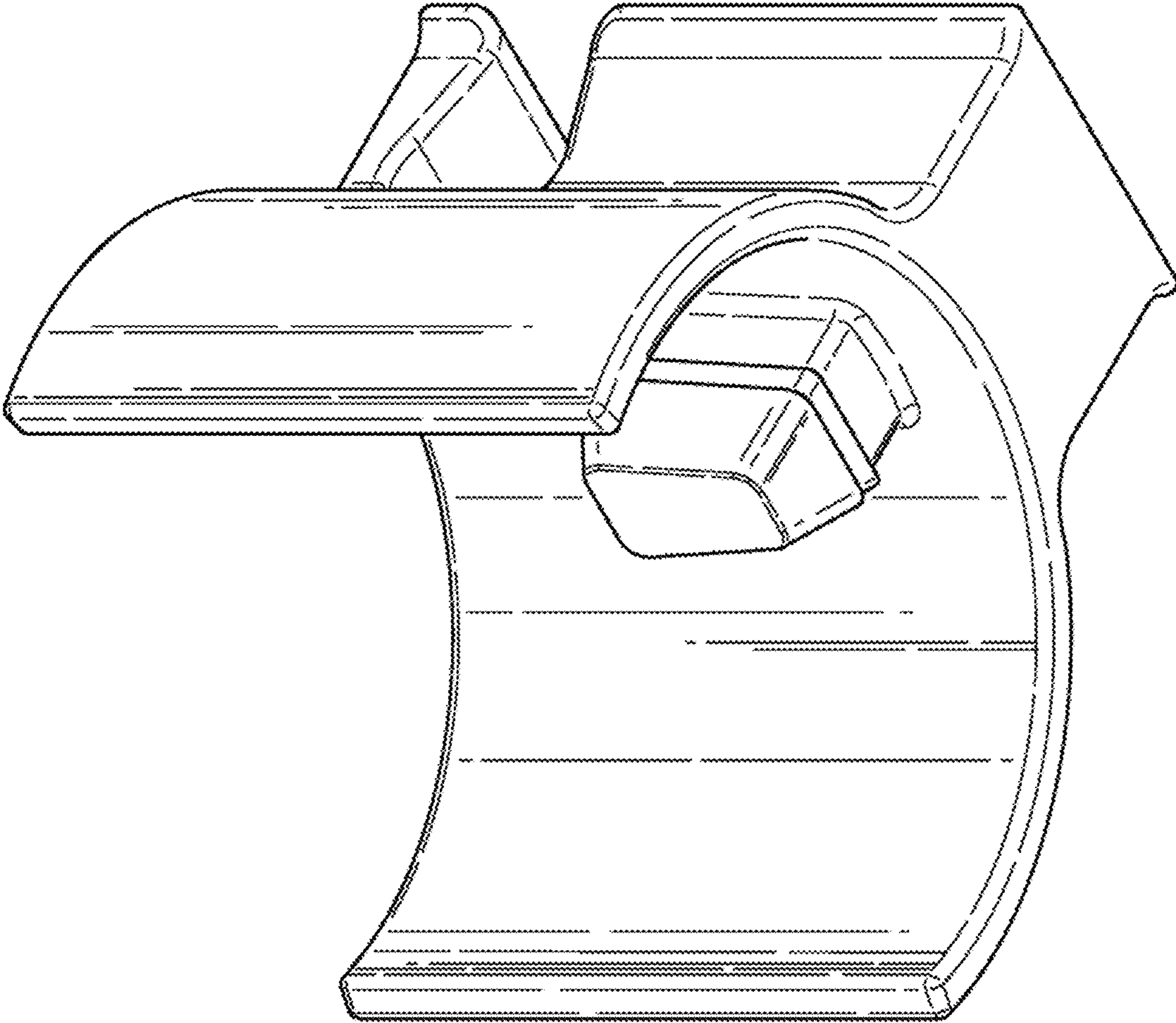


Figure 6