



US00D899220S

(12) **United States Design Patent**  
**Hong**

(10) **Patent No.:** **US D899,220 S**

(45) **Date of Patent:** **\*\* Oct. 20, 2020**

- (54) **SWING MODULE FOR CHAIR**
- (71) Applicant: **SEKANG ASC INC.**, Pyeongtaek-si, Gyeonggi-do (KR)
- (72) Inventor: **Gun Taek Hong**, Hwaseong-si (KR)
- (73) Assignee: **SEKANG ASC INC.**, Pyeongtaek-si (KR)
- (\*\*) Term: **15 Years**
- (21) Appl. No.: **29/666,511**
- (22) Filed: **Oct. 12, 2018**
- (51) **LOC (12) Cl.** ..... **08-08**
- (52) **U.S. Cl.**  
USPC ..... **D8/349**
- (58) **Field of Classification Search**  
USPC .... D6/672, 684, 680, 683.1, 703.5; D8/349, D8/354, 355, 330, 331, 333, 380, 382  
CPC .. E04B 1/2604; E04B 2001/2644; F16B 7/18; F16B 37/145; Y10T 403/4602; Y10T 403/4674; Y10T 403/3906  
See application file for complete search history.

- D821,181 S \* 6/2018 Ito ..... D8/354
- D859,129 S \* 9/2019 Park ..... D8/354
- D860,025 S \* 9/2019 Illouz ..... D10/106.2
- D861,465 S \* 10/2019 Haider ..... D8/354
- D874,249 S \* 2/2020 Stekr ..... D8/354
- D874,250 S \* 2/2020 Stoops ..... D8/355

\* cited by examiner

*Primary Examiner* — Mark A Goodwin  
*Assistant Examiner* — Benjamin M Weeks  
 (74) *Attorney, Agent, or Firm* — Ichthus International Law PLLC

(57) **CLAIM**

The ornamental design for a swing module for chair, as shown and described.

**DESCRIPTION**

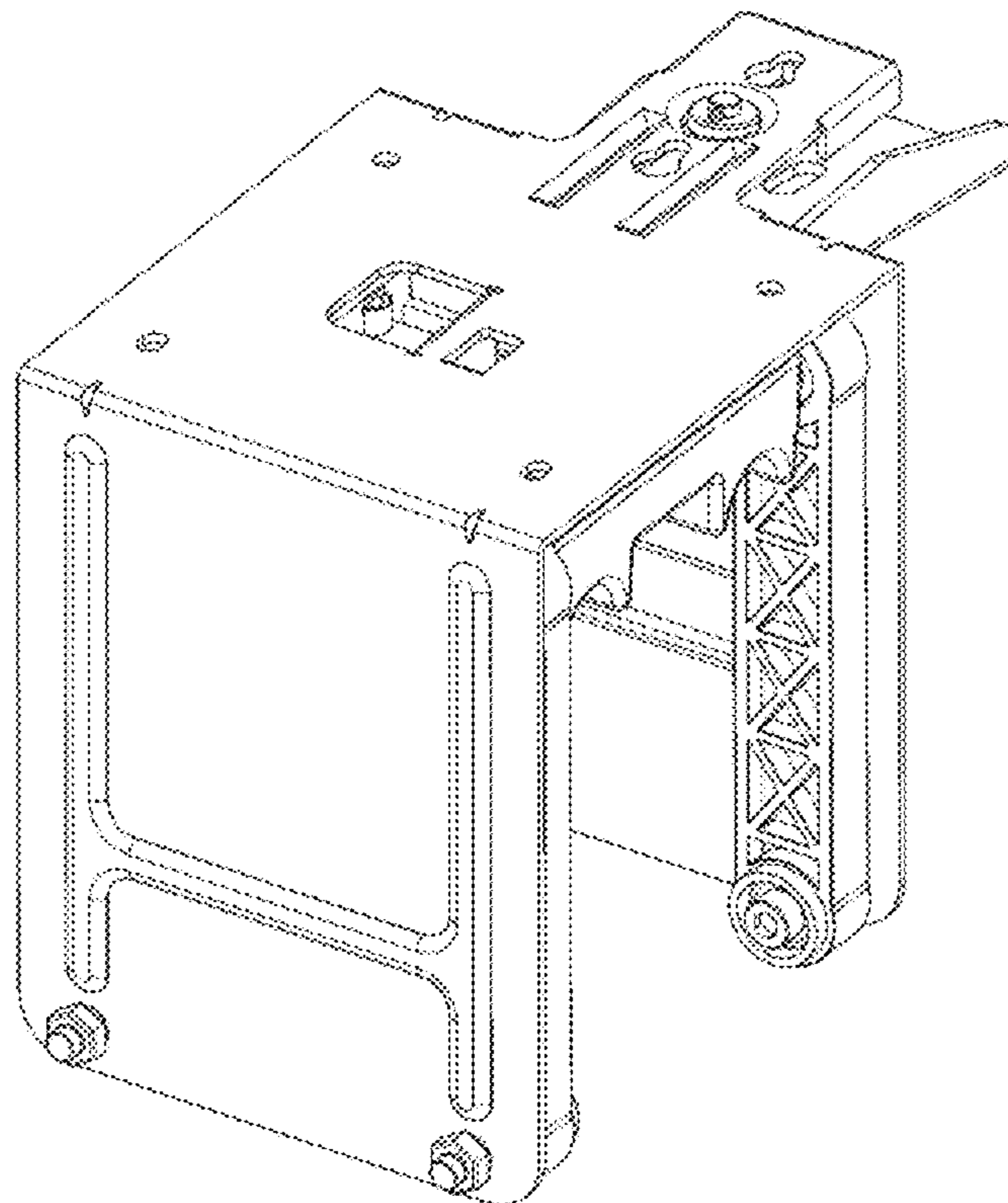
FIG. 1 is a front perspective view of a swing module for chair in accordance with the present invention;  
 FIG. 2 is a front view thereof;  
 FIG. 3 is a back view thereof.  
 FIG. 4 is a left side view thereof;  
 FIG. 5 is a right side view thereof;  
 FIG. 6 is a top plan view thereof;  
 FIG. 7 is a bottom plan view thereof; and,  
 FIG. 8 is a referential view which shows a chair in which the swing module for chair is installed.  
 The features shown in broken lines in figures are for illustrative purposes only and form no part of the claimed design.

(56) **References Cited**

U.S. PATENT DOCUMENTS

- D401,424 S \* 11/1998 Ogo ..... D6/329
- D720,166 S \* 12/2014 Trindall ..... D6/683.1
- D730,662 S \* 6/2015 Trinh ..... D6/672
- D746,128 S \* 12/2015 Stanton ..... D8/380
- D756,199 S \* 5/2016 Carrubba ..... D8/354

**1 Claim, 8 Drawing Sheets**



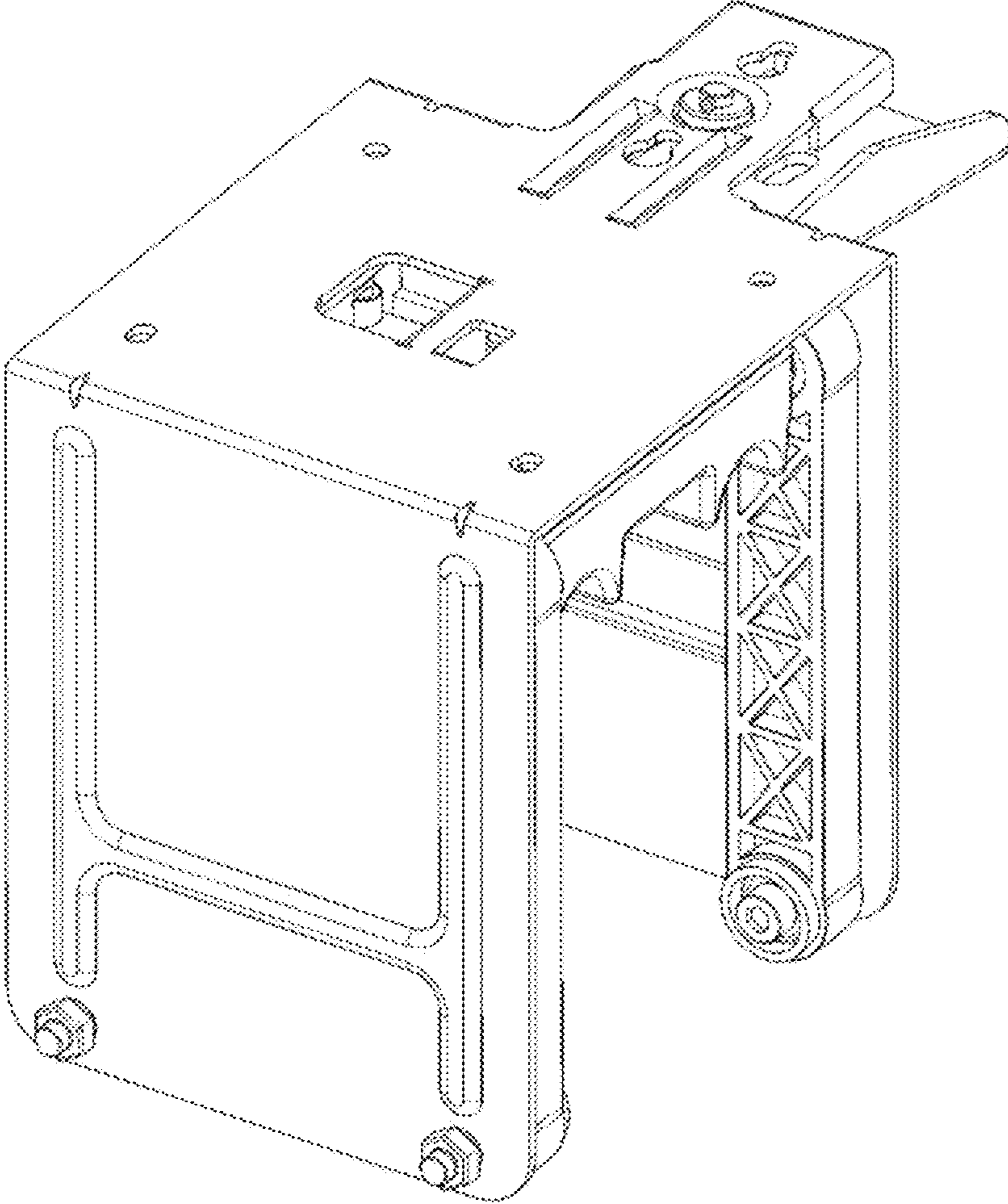


FIG. 1

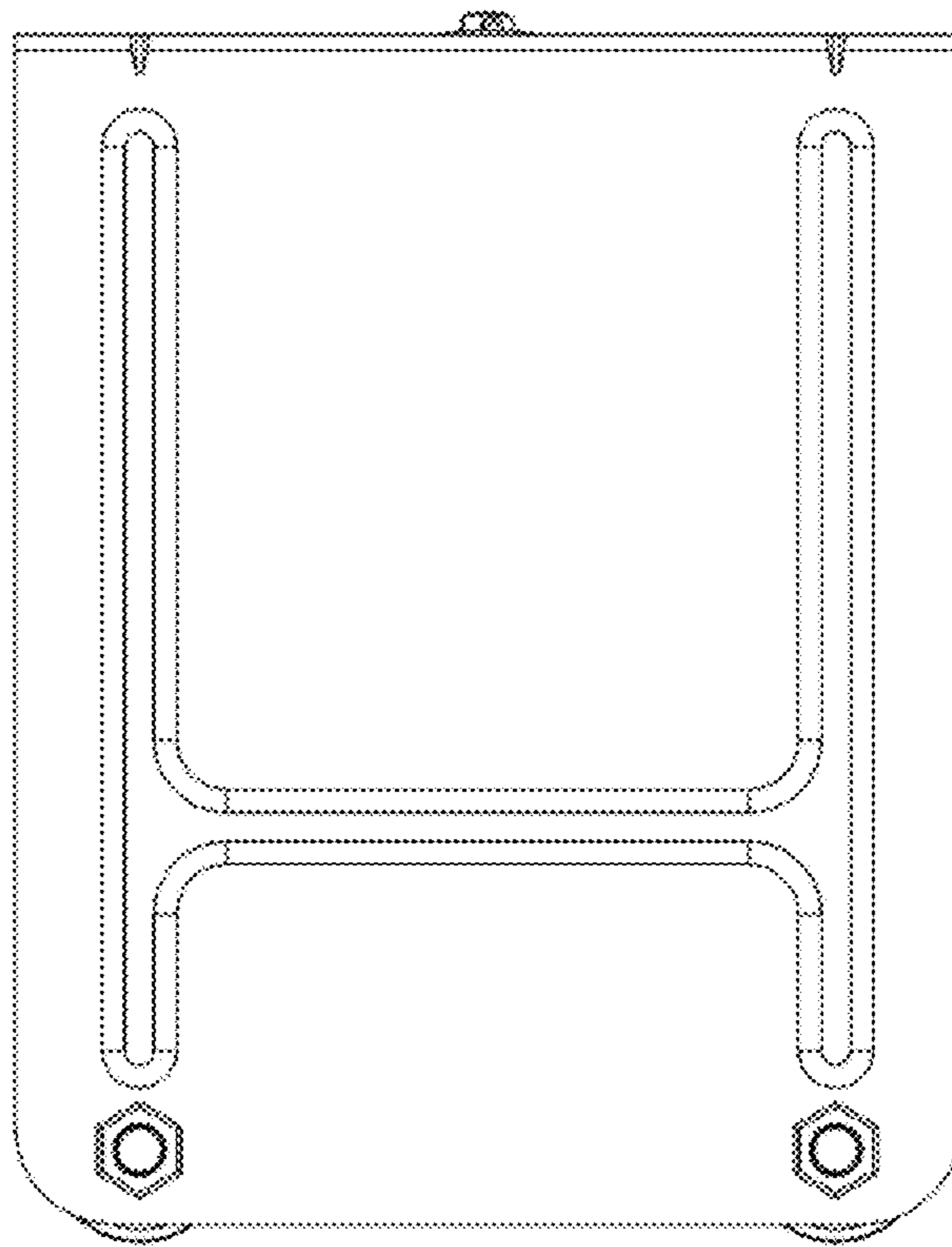


FIG. 2

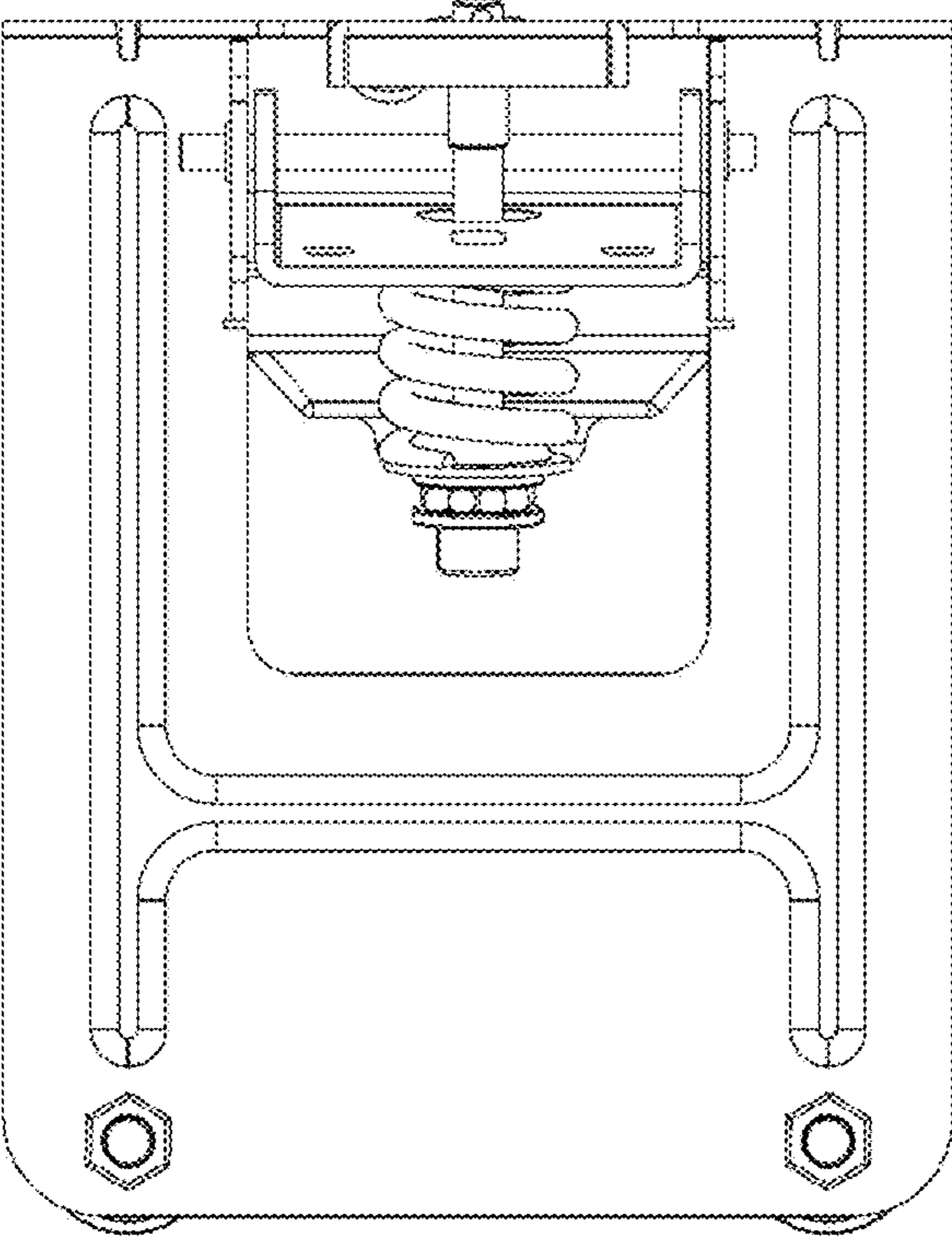


FIG. 3

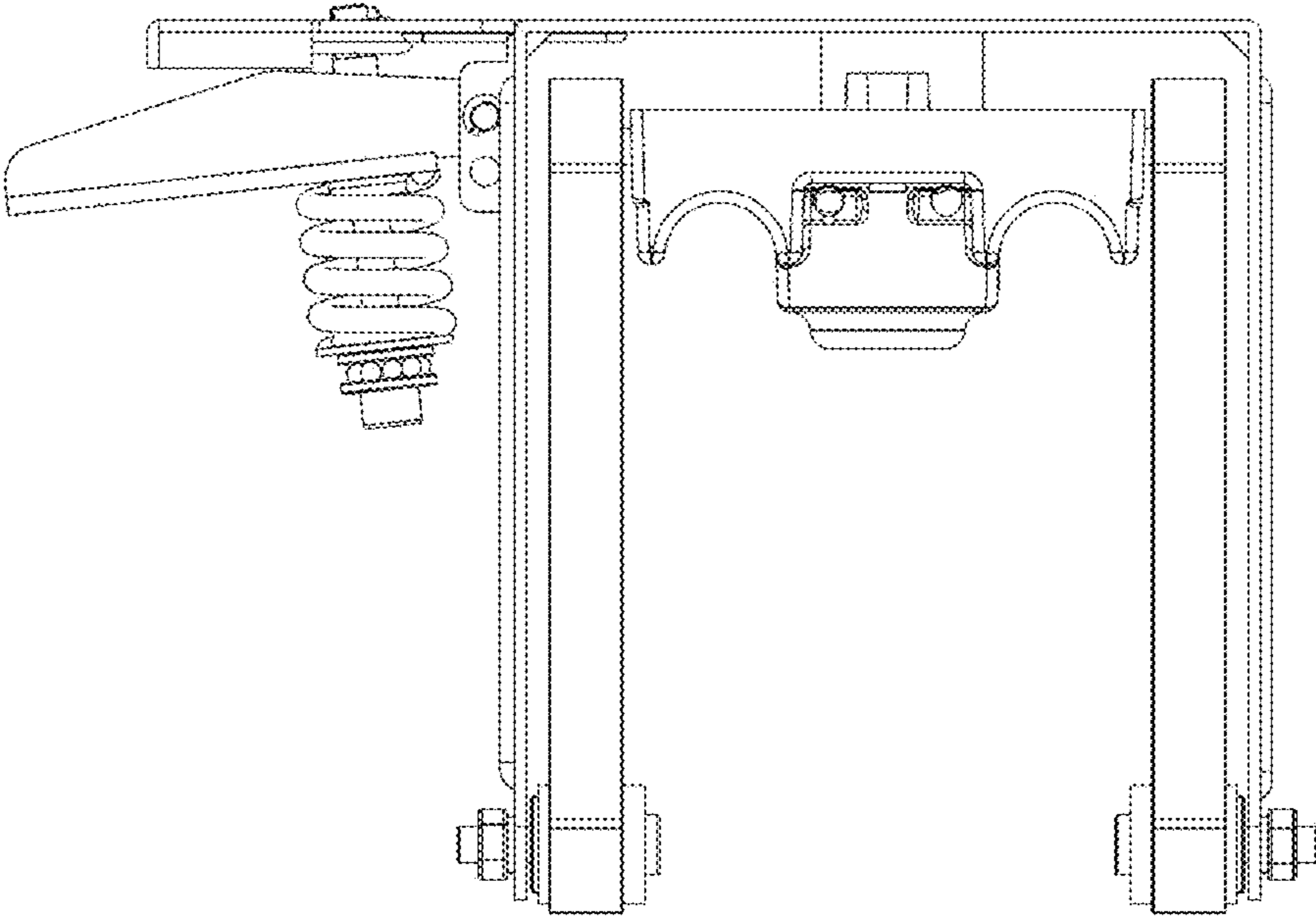


FIG. 4

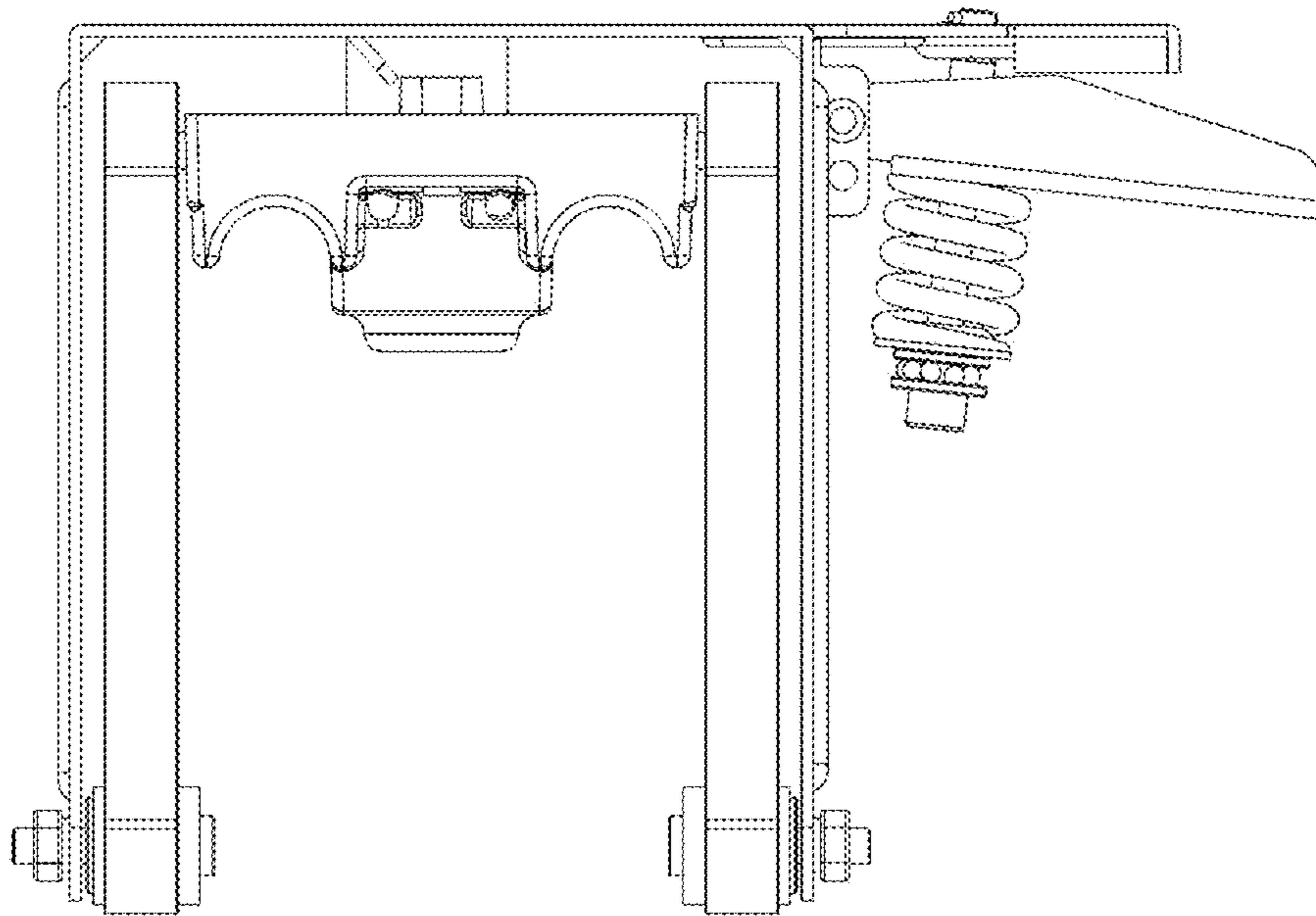


FIG. 5

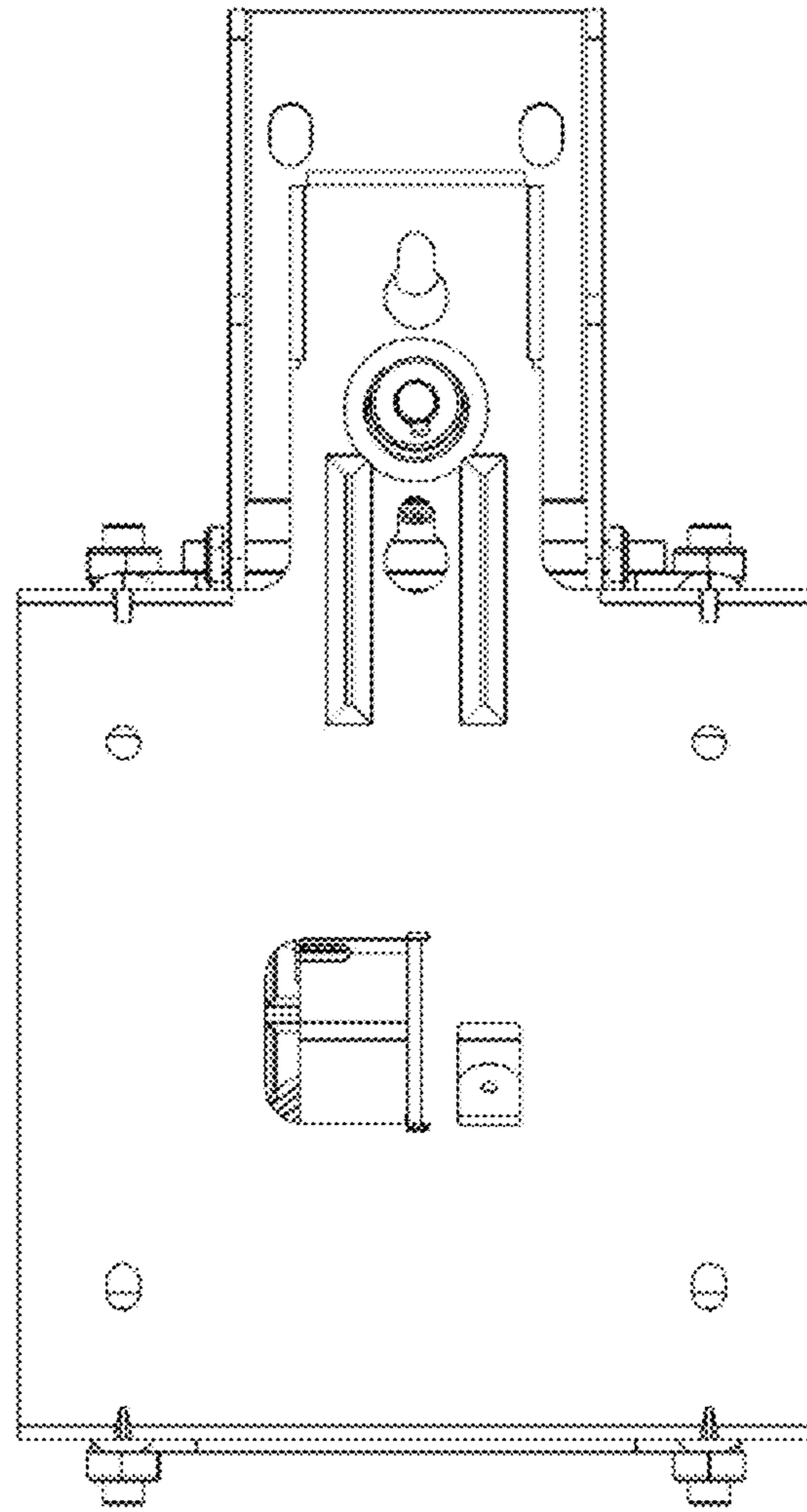


FIG. 6

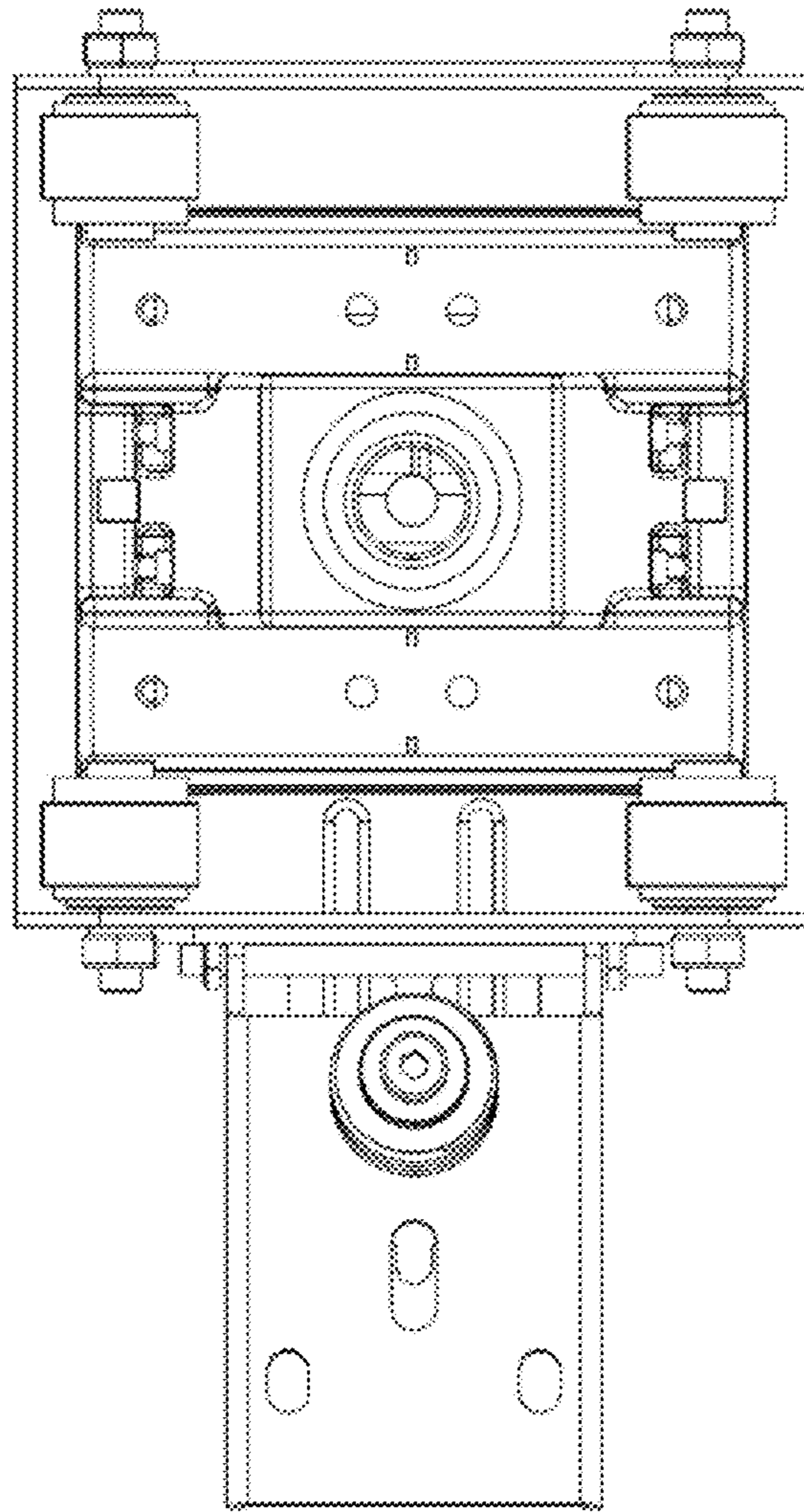


FIG. 7



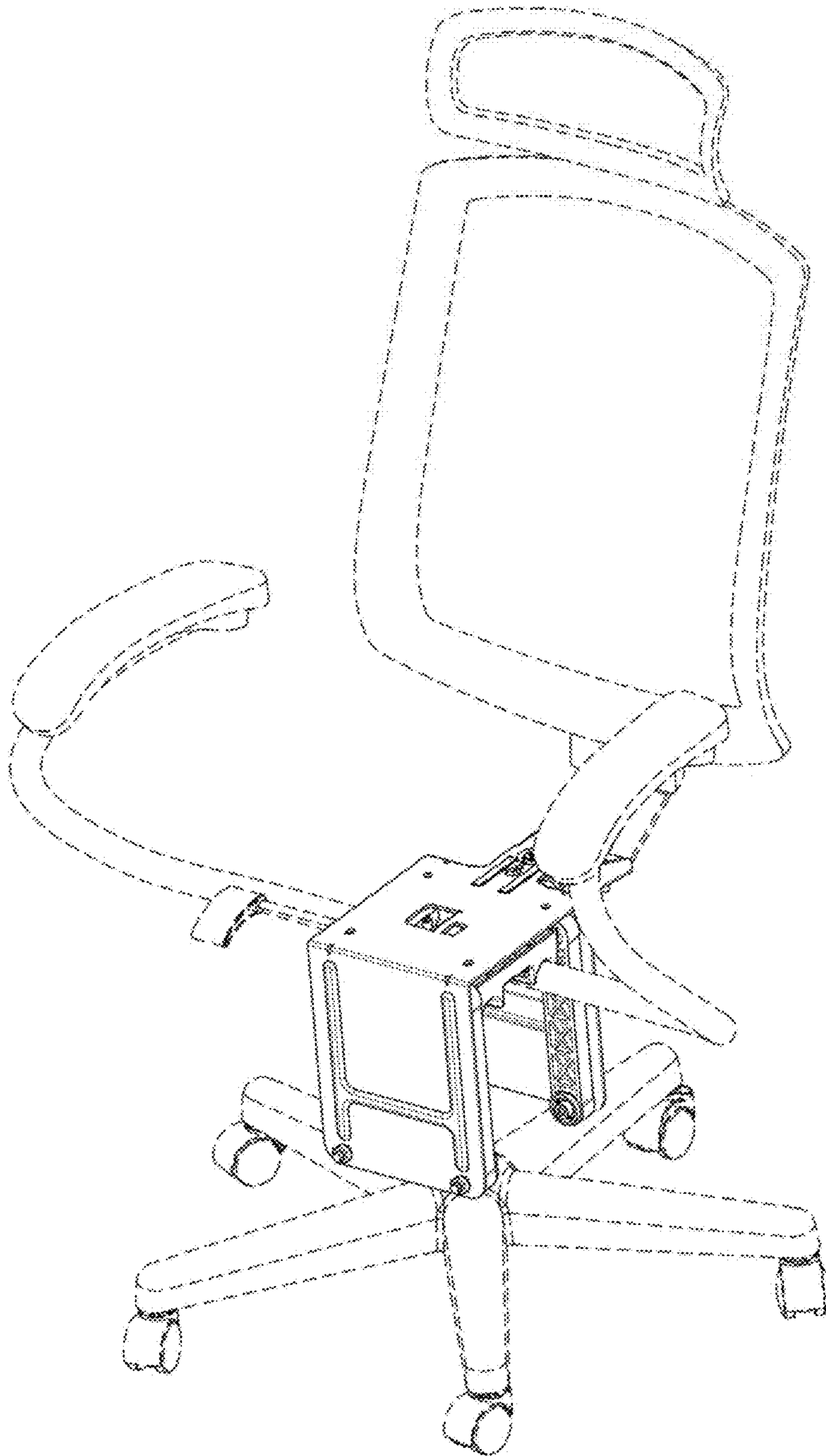


FIG. 8