



US00D899219S

(12) **United States Design Patent**
Yu et al.

(10) **Patent No.:** **US D899,219 S**

(45) **Date of Patent:** **** Oct. 20, 2020**

(54) **LOCK BOX**

(71) Applicant: **SINOX CO., LTD**, New Taipei (TW)

(72) Inventors: **Chang-Chiang Yu**, New Taipei (TW);
Chia-Hung Wang, New Taipei (TW);
Chien-Hung Wu, New Taipei (TW)

(73) Assignee: **SINOX CO., LTD**, New Taipei (TW)

(**) Term: **15 Years**

(21) Appl. No.: **29/658,246**

(22) Filed: **Jul. 30, 2018**

(51) **LOC (12) Cl.** **08-07**

(52) **U.S. Cl.**
USPC **D8/333**

(58) **Field of Classification Search**
USPC D8/330, 331, 334, 333
CPC E05B 13/001; E05B 15/06; E05B 19/0005
See application file for complete search history.

(56) **References Cited**

U.S. PATENT DOCUMENTS

D495,234 S * 8/2004 Fisher D8/330
D615,842 S * 5/2010 Freeman D8/333
D636,252 S * 4/2011 Wasson D8/333

9,540,845 B1 * 1/2017 Yang E05B 19/0005
9,670,694 B2 * 6/2017 Larson E05B 19/0005
10,460,545 B2 * 10/2019 Evans G08B 13/2402

* cited by examiner

Primary Examiner — Doris Clark

(74) *Attorney, Agent, or Firm* — Birch, Stewart, Kolasch & Birch, LLP

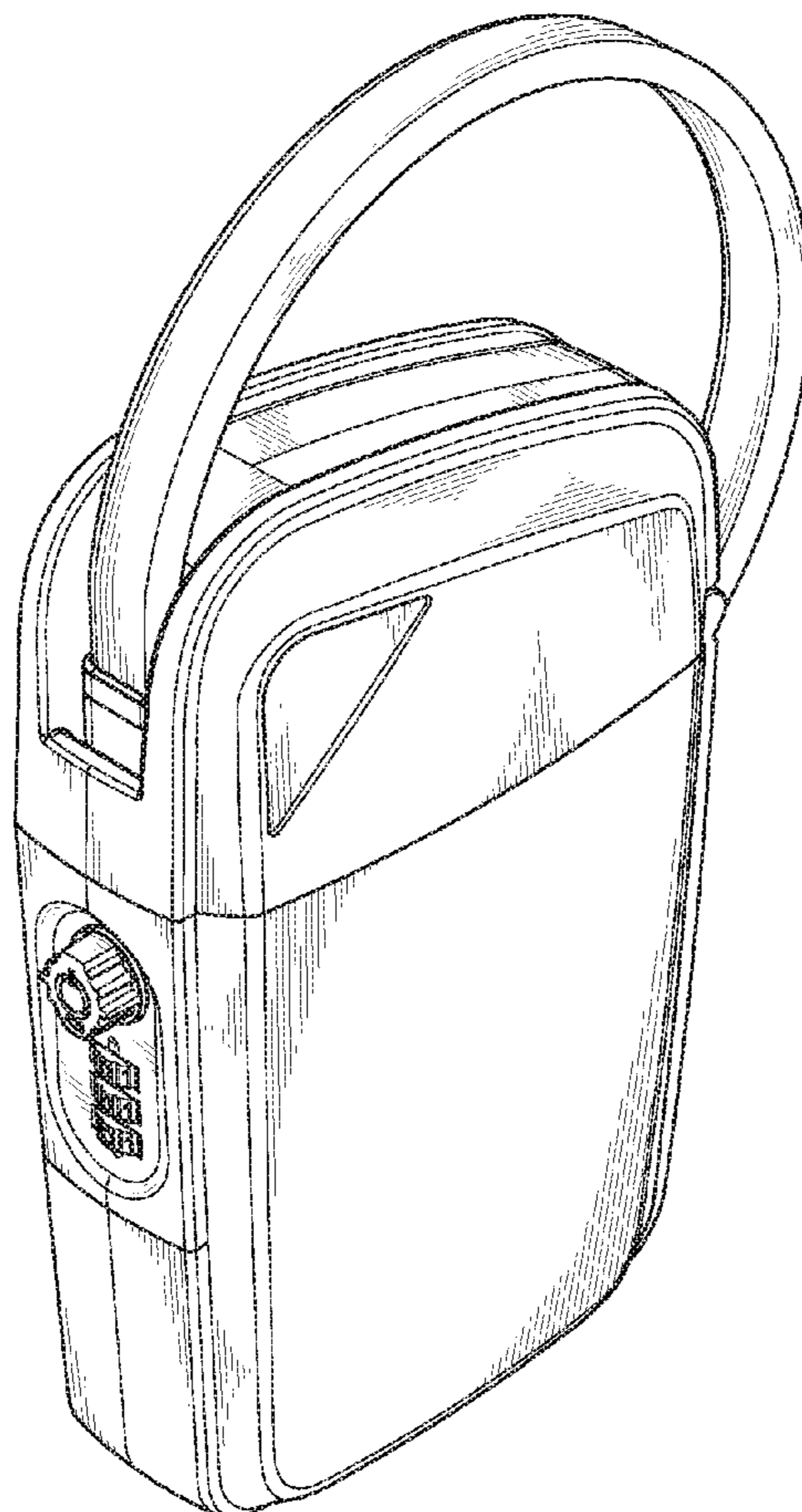
(57) **CLAIM**

We claim the ornamental design for a lock box, as shown and described.

DESCRIPTION

FIG. 1 is a front perspective view of a lock box showing our new design;
FIG. 2 is a rear perspective view thereof;
FIG. 3 is a front elevational view thereof;
FIG. 4 is a rear elevational view thereof;
FIG. 5 is a left side elevational view thereof;
FIG. 6 is a right side elevational view thereof;
FIG. 7 is a top plan view thereof;
FIG. 8 is a bottom plan view thereof; and
FIG. 9 is a front perspective view showing an open top;
FIG. 10 is a front perspective view showing an open top with the strap disengaged; and,
FIG. 11 is a front perspective view showing the strap disengaged.

1 Claim, 11 Drawing Sheets



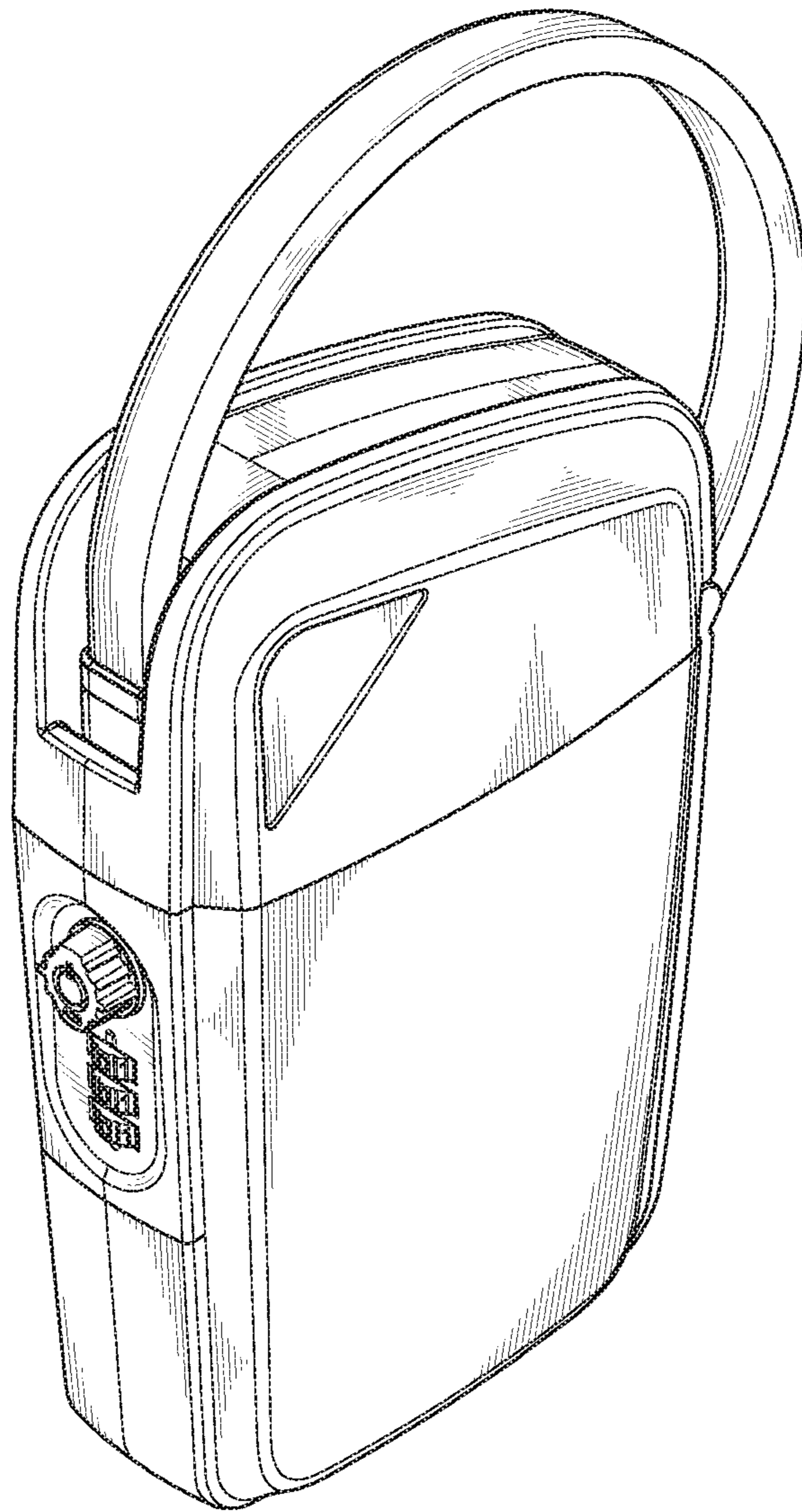


FIG. 1

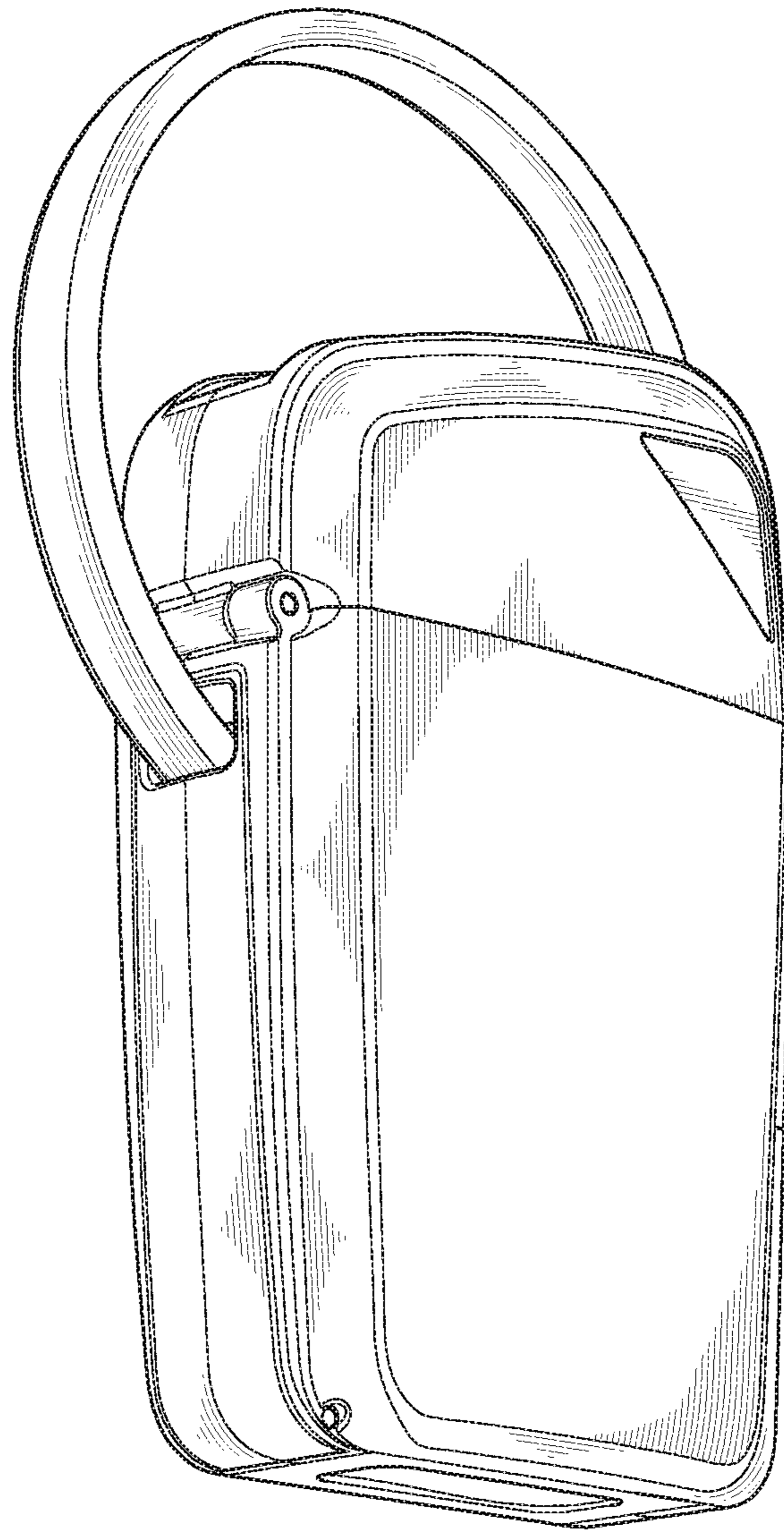


FIG. 2

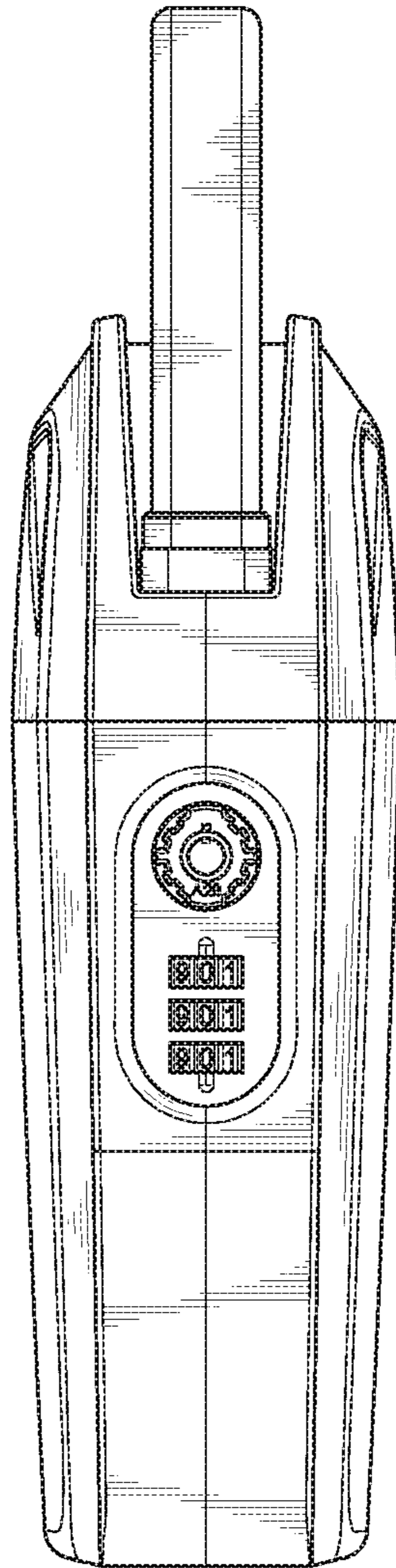


FIG. 3

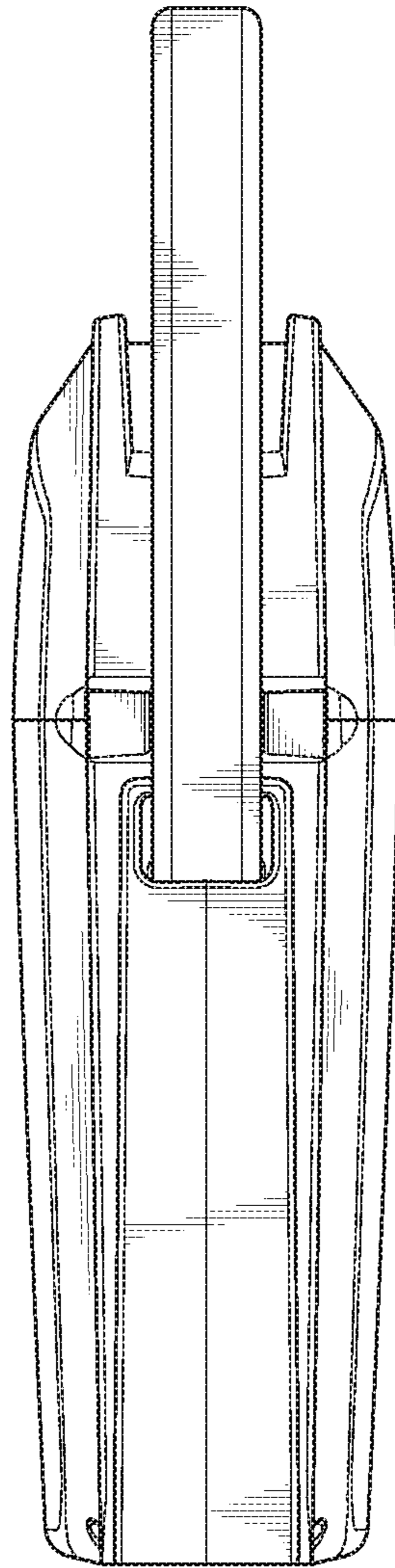


FIG. 4

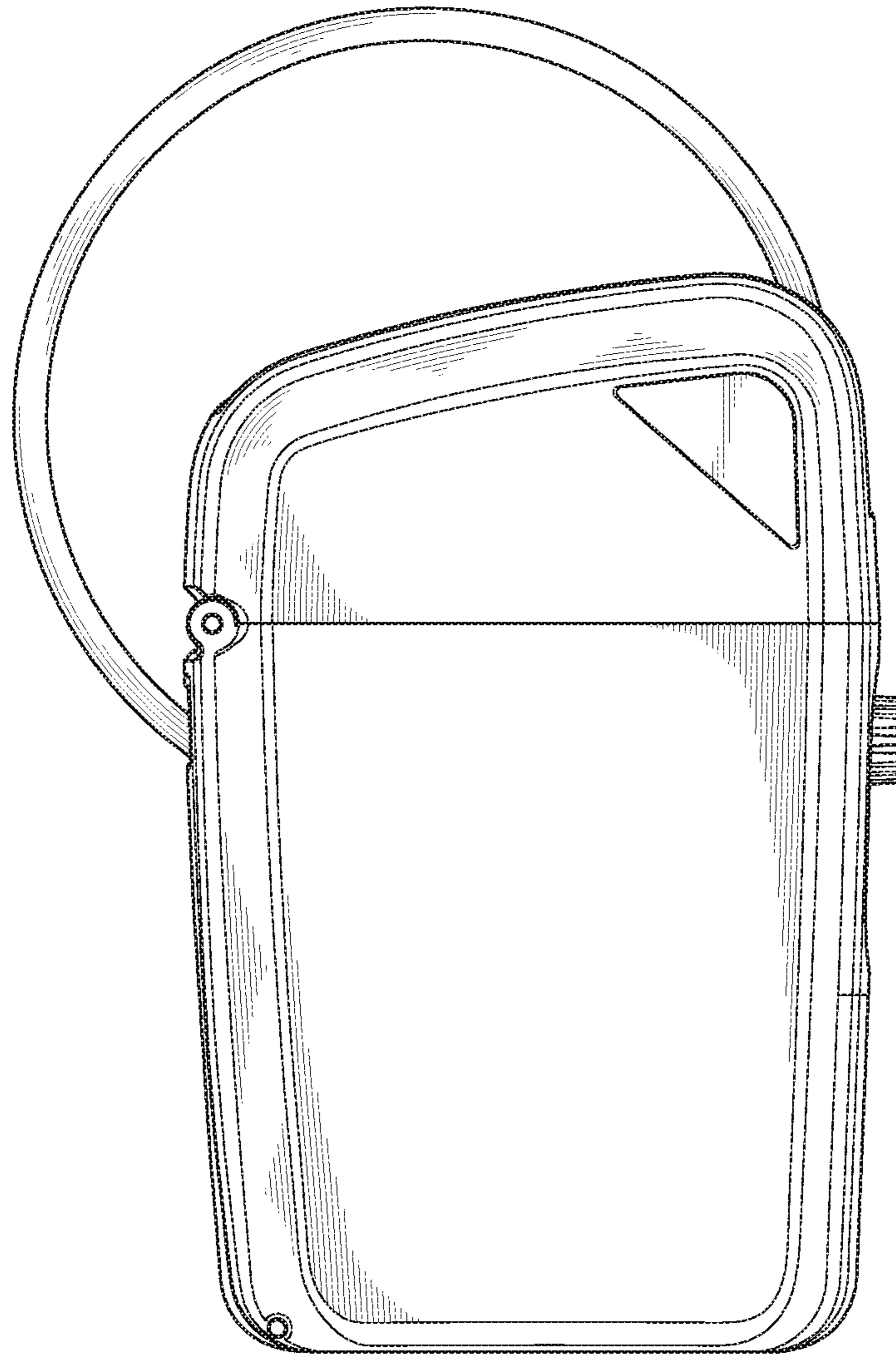


FIG. 5

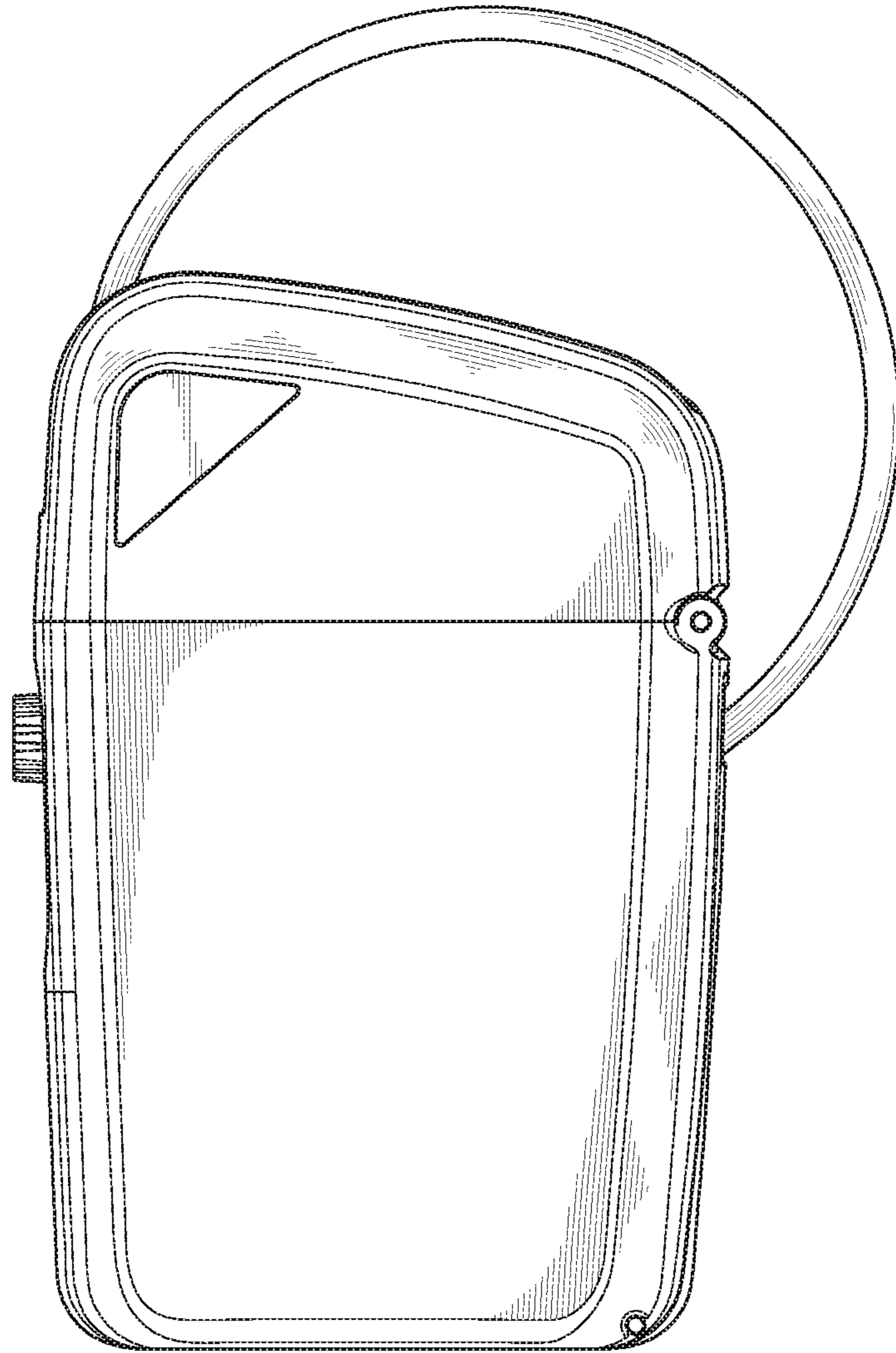


FIG. 6

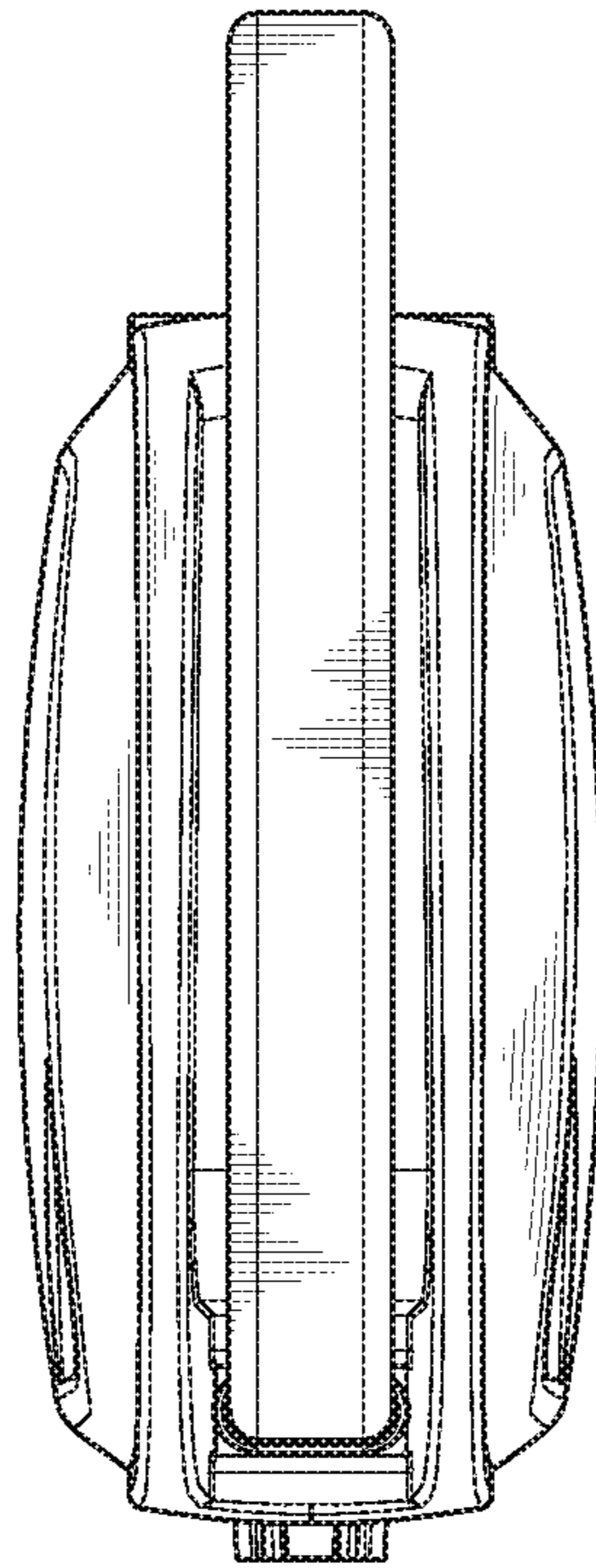


FIG. 7

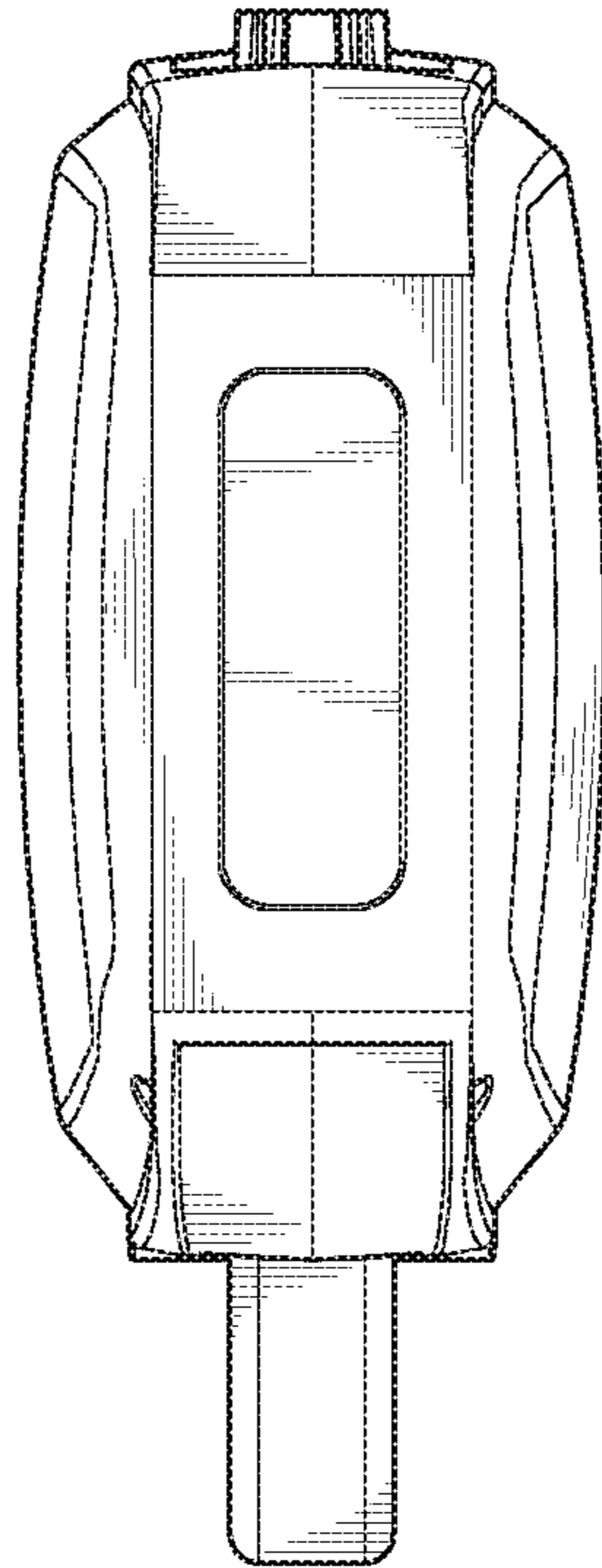


FIG. 8

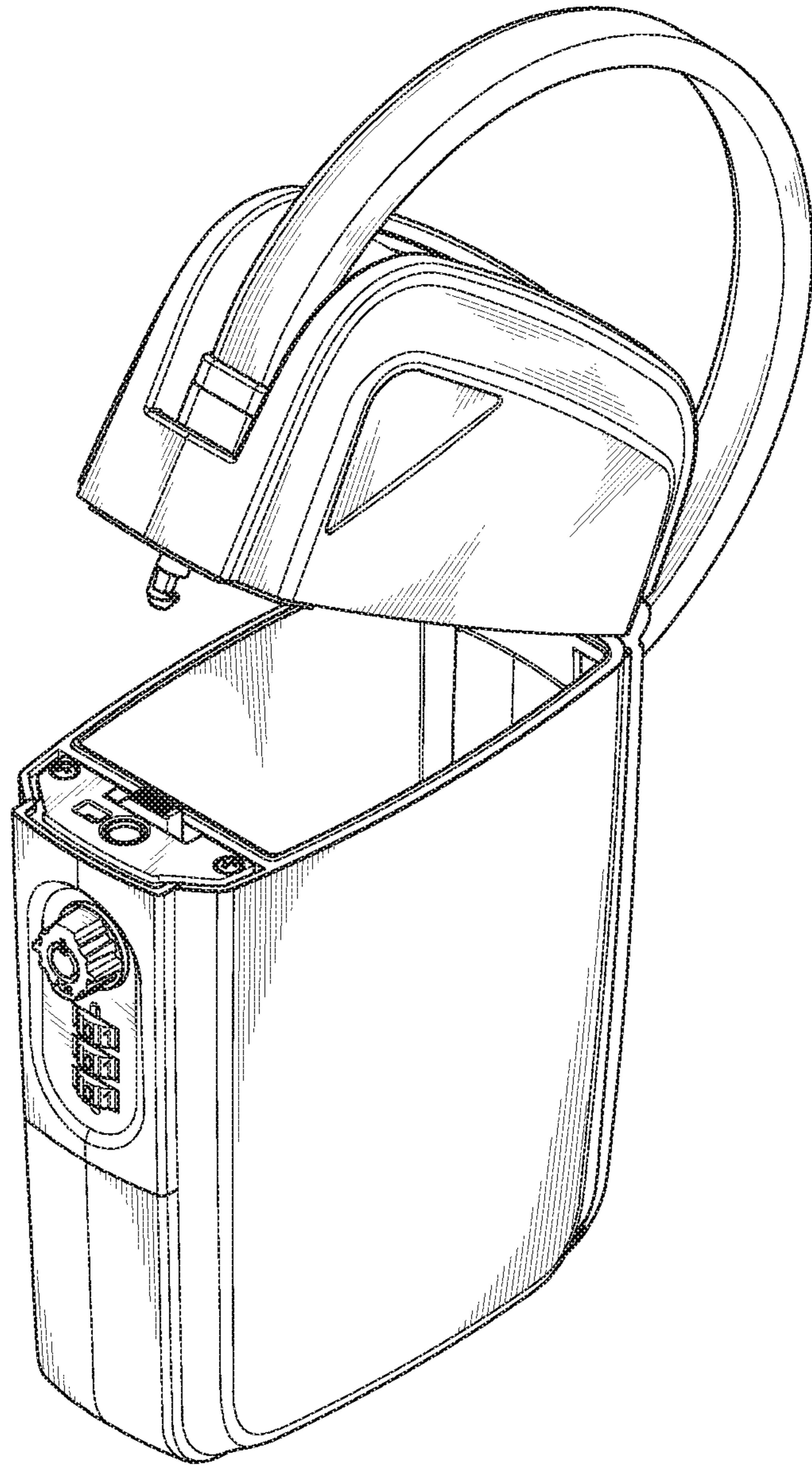


FIG. 9

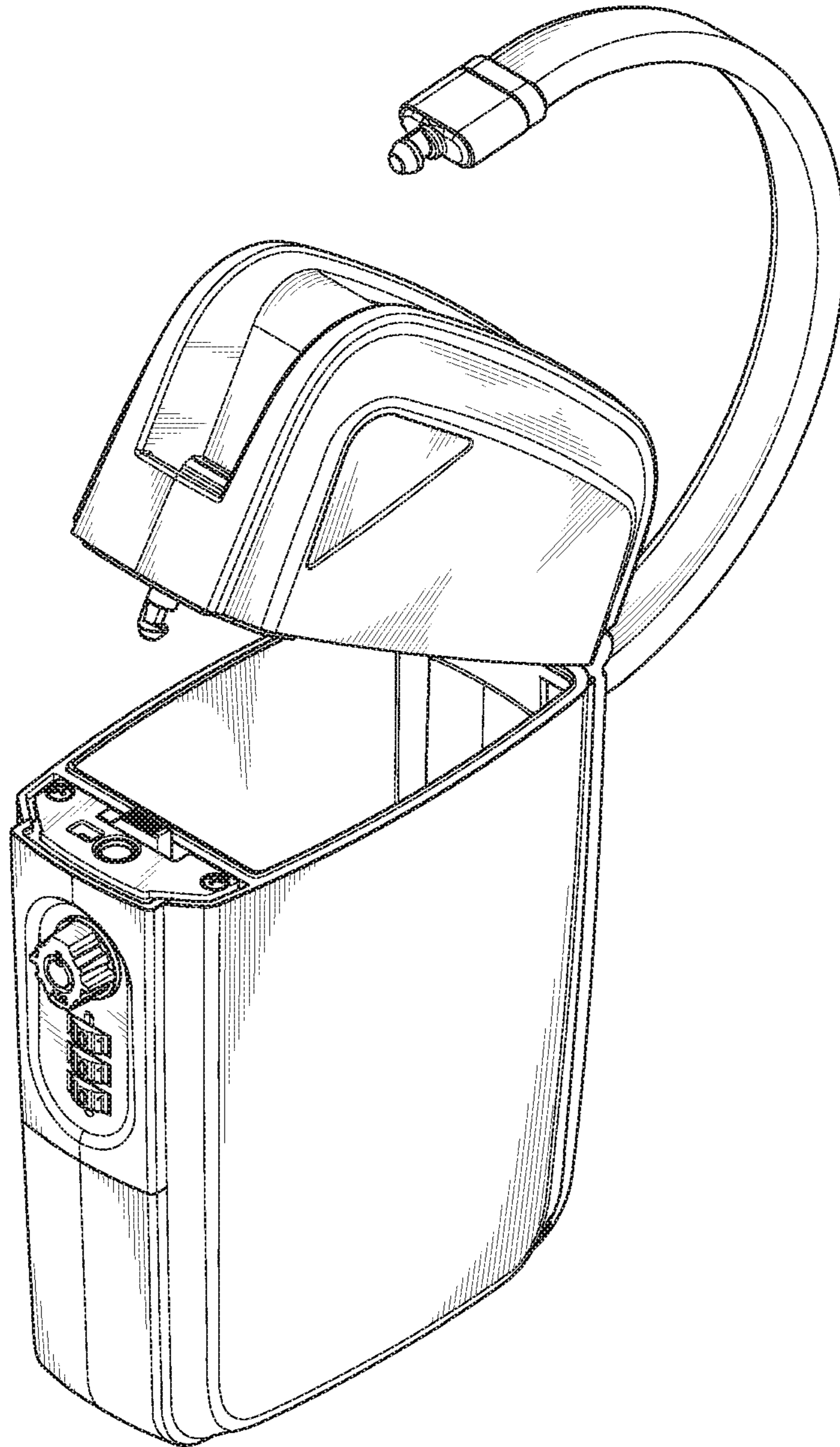


FIG. 10

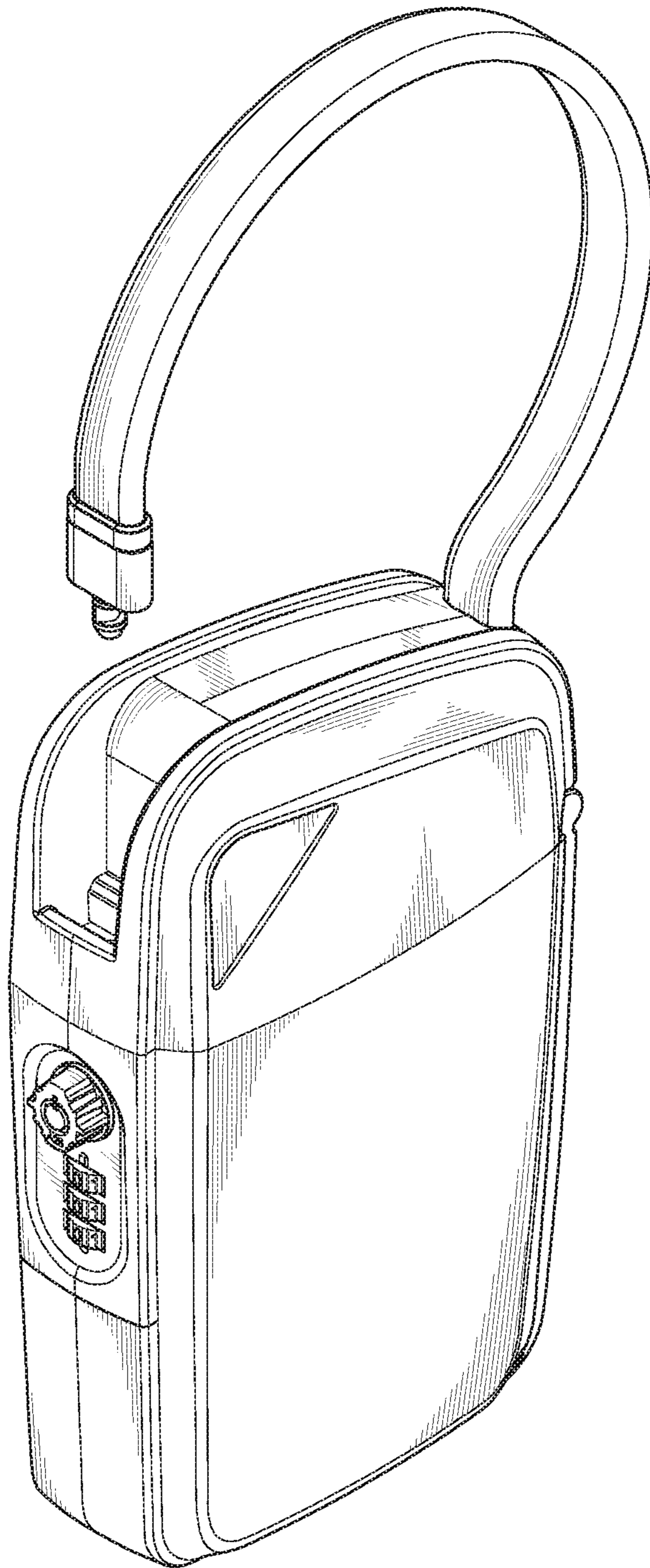


FIG. 11