



US00D899218S

(12) **United States Design Patent**
Bullwinkel et al.

(10) **Patent No.:** **US D899,218 S**

(45) **Date of Patent:** **** Oct. 20, 2020**

- (54) **LOCKING DEVICE**
- (71) Applicant: **Delta Lock Company, LLC**, Bohemia, NY (US)
- (72) Inventors: **William H. Bullwinkel**, Farmingdale, NY (US); **Pasquale J. Luongo, IV**, West Hempstead, NY (US)
- (73) Assignee: **Delta Lock Company, LLC**, Bohemia, NY (US)

- 4,009,599 A 3/1977 Patriquin
- 4,418,554 A 12/1983 Wolfgang
- 4,476,699 A 10/1984 Dahlborg
- 4,565,080 A 1/1986 Kincaid
- 4,793,163 A 12/1988 MacFarlane
- 4,899,563 A 2/1990 Martin
- 4,920,774 A 5/1990 Martin
- 5,038,589 A 8/1991 Martin
- 5,121,619 A 6/1992 Martin
- 5,127,244 A 7/1992 Myers

(Continued)

- (**) Term: **15 Years**
- (21) Appl. No.: **29/673,492**
- (22) Filed: **Dec. 14, 2018**

Related U.S. Application Data

- (63) Continuation of application No. 15/095,086, filed on Apr. 10, 2016, now Pat. No. 10,156,088.
- (51) **LOC (12) Cl.** **08-07**
- (52) **U.S. Cl.**
USPC **D8/331**
- (58) **Field of Classification Search**
USPC D8/330, 331
CPC E05B 65/00; E05B 65/44; A47F 3/002; A47F 7/024
See application file for complete search history.

(56) **References Cited**

U.S. PATENT DOCUMENTS

- 1,342,728 A 6/1920 Welch
- 1,539,301 A 5/1925 Cooper
- 1,965,336 A 7/1934 Fitz Gerald
- 2,032,821 A 3/1936 Waits
- 3,340,709 A 9/1967 Callahan
- 3,696,647 A 10/1972 Balicki
- 3,726,115 A 4/1973 Wellekens
- 3,863,475 A 2/1975 Foss
- 3,933,015 A 1/1976 Balicki

FOREIGN PATENT DOCUMENTS

WO WO8300353 2/1983

Primary Examiner — Doris Clark

(74) *Attorney, Agent, or Firm* — Gerald Hespos; Michael Porco; Matthew Hespos

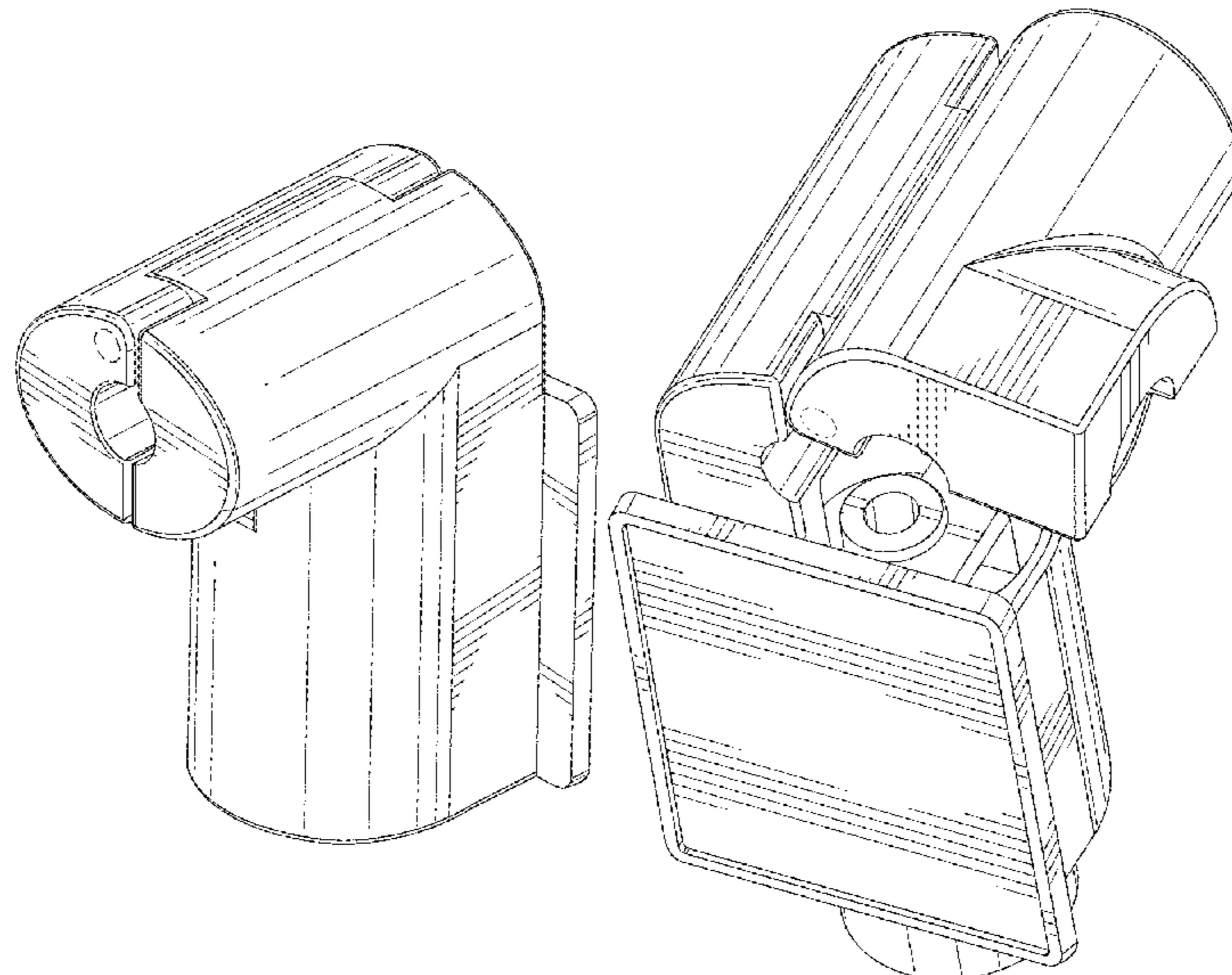
(57) **CLAIM**

The ornamental design for a locking device, as shown and described.

DESCRIPTION

FIG. 1 is a front, top, right perspective view of a locking device according to a first embodiment of our new design; FIG. 2 is front, top, left perspective view thereof; FIG. 3 is a front elevational view thereof; FIG. 4 is a rear, top, left perspective view thereof; FIG. 5 is a rear elevational view thereof; FIG. 6 is a front, bottom, right perspective view of the locking device in an unlocked position; FIG. 7 is a front, bottom, right perspective view of the locking device in a locked position; FIG. 8 is a front, top, left perspective view of the locking device in an open and unlocked position; FIG. 9 is a left side elevational view thereof; and, FIG. 10 is a rear, top, left perspective view thereof. The broken lines shown in the Figures are for illustrative purposes only and form no part of the claimed design.

1 Claim, 7 Drawing Sheets



(56)

References Cited

U.S. PATENT DOCUMENTS

5,255,544 A	10/1993	Wu	8,646,297 B2	2/2014	Foti
5,345,794 A	9/1994	Jenks	8,776,557 B2	7/2014	Wang
5,492,206 A	2/1996	Shieh	8,919,156 B1	12/2014	Liu
5,499,518 A	3/1996	Shieh	8,978,426 B2	3/2015	Wang
5,657,652 A	8/1997	Martin	9,167,918 B2	10/2015	Leyden
5,722,275 A	3/1998	Price et al.	9,435,144 B2	9/2016	Bullwinkel
5,737,950 A	4/1998	Yun-Bin	9,524,626 B2 *	12/2016	Bruhwieler E05B 73/0029
5,819,889 A	10/1998	Shieh	9,593,509 B2 *	3/2017	Murray E05B 65/0014
5,913,907 A	6/1999	Lee	D789,770 S *	6/2017	Reeb D8/330
6,035,673 A	3/2000	Harrison	D840,212 S *	2/2019	Huang D8/331
6,092,402 A	7/2000	Porcelli et al.	10,208,510 B1 *	2/2019	Van Dyck E05B 63/18
6,920,770 B2	7/2005	Lurie et al.	2001/0045114 A1	11/2001	Sokurenko
7,308,809 B2	12/2007	Lu	2005/0011237 A1	1/2005	Lurie et al.
RE41,188 E	4/2010	Lurie et al.	2005/0011239 A1	1/2005	Lurie et al.
7,695,031 B2	4/2010	Jackson, Jr. et al.	2005/0241348 A1	11/2005	Devecki
7,716,958 B2	5/2010	Martin	2005/0279894 A1	12/2005	Sedon et al.
7,849,720 B2	12/2010	Reese	2006/0157431 A1	7/2006	Nagelski et al.
7,874,189 B2	1/2011	Martin	2007/0175246 A1	8/2007	Hsai
7,918,111 B2	4/2011	Uliano	2009/0071209 A1	3/2009	Lurie
8,028,555 B2	10/2011	Lurie	2010/0031717 A1	2/2010	Lurie et al.
D667,286 S *	9/2012	Wu D8/330	2010/0212371 A1	8/2010	Foti
D670,993 S *	11/2012	Lin D8/331	2013/0105419 A1	5/2013	Kologe
			2014/0013813 A1	1/2014	Le
			2014/0298869 A1	10/2014	Wang
			2015/0176307 A1	6/2015	Bullwinkel

* cited by examiner

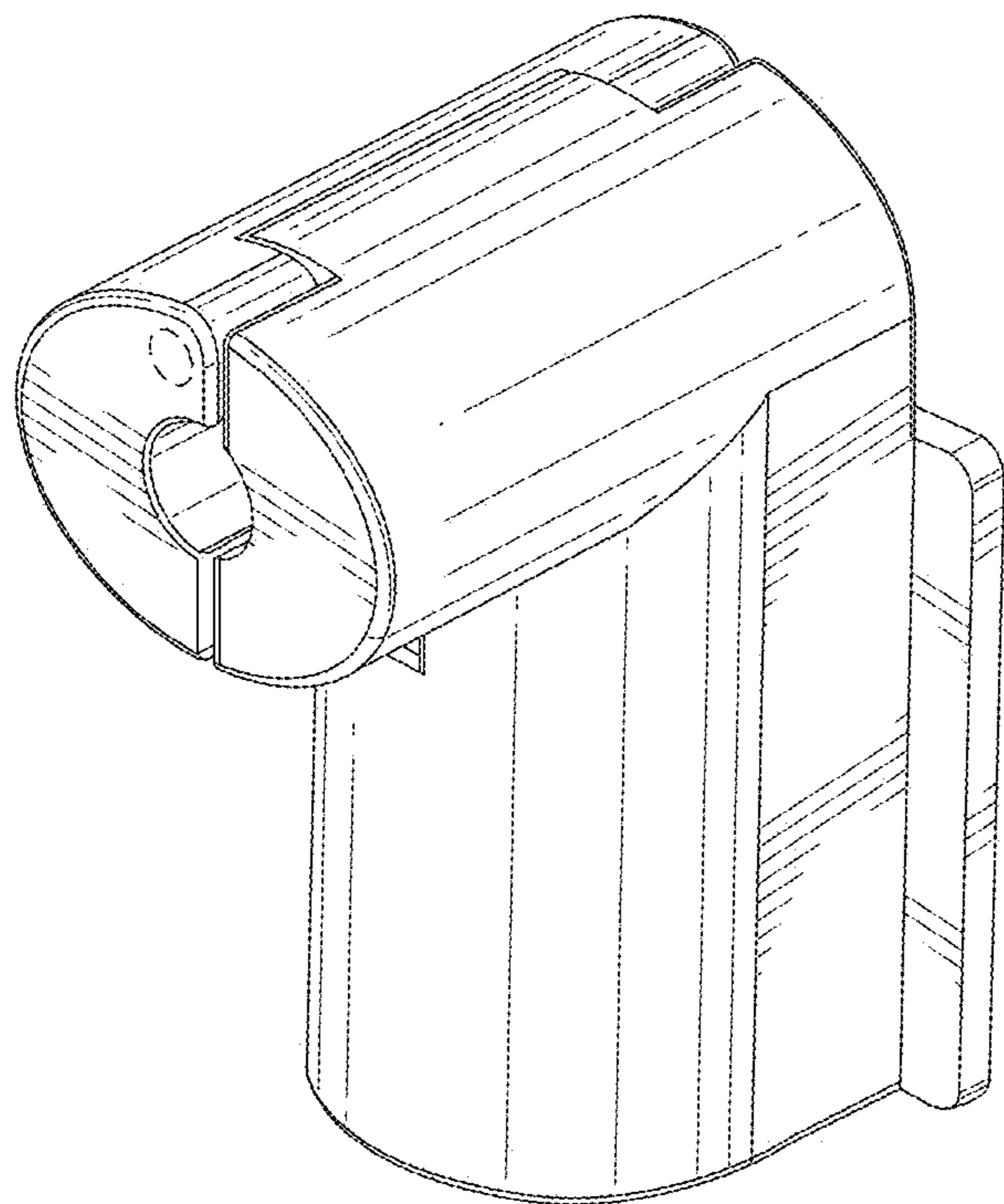


FIG. 1

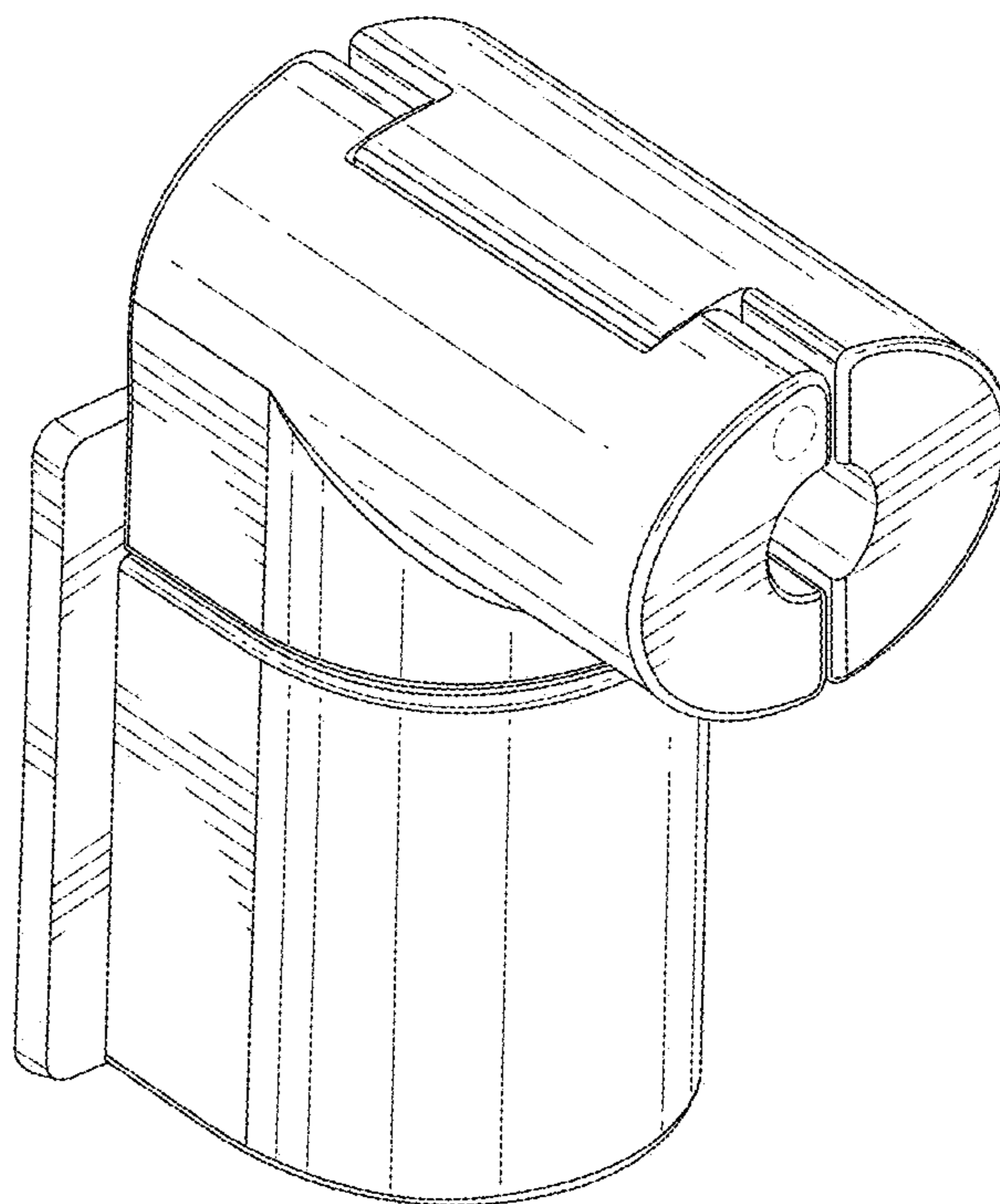


FIG. 2

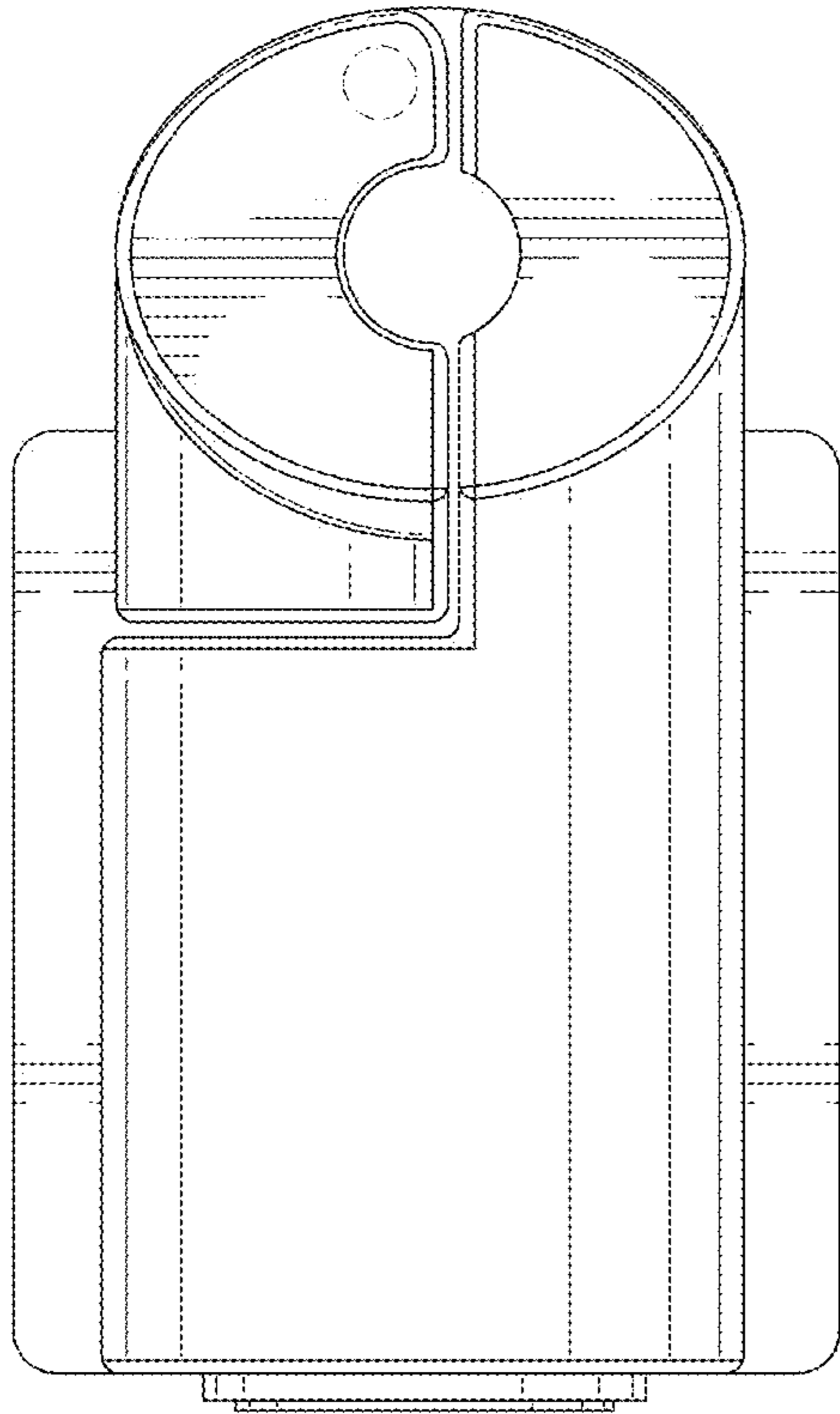


FIG. 3

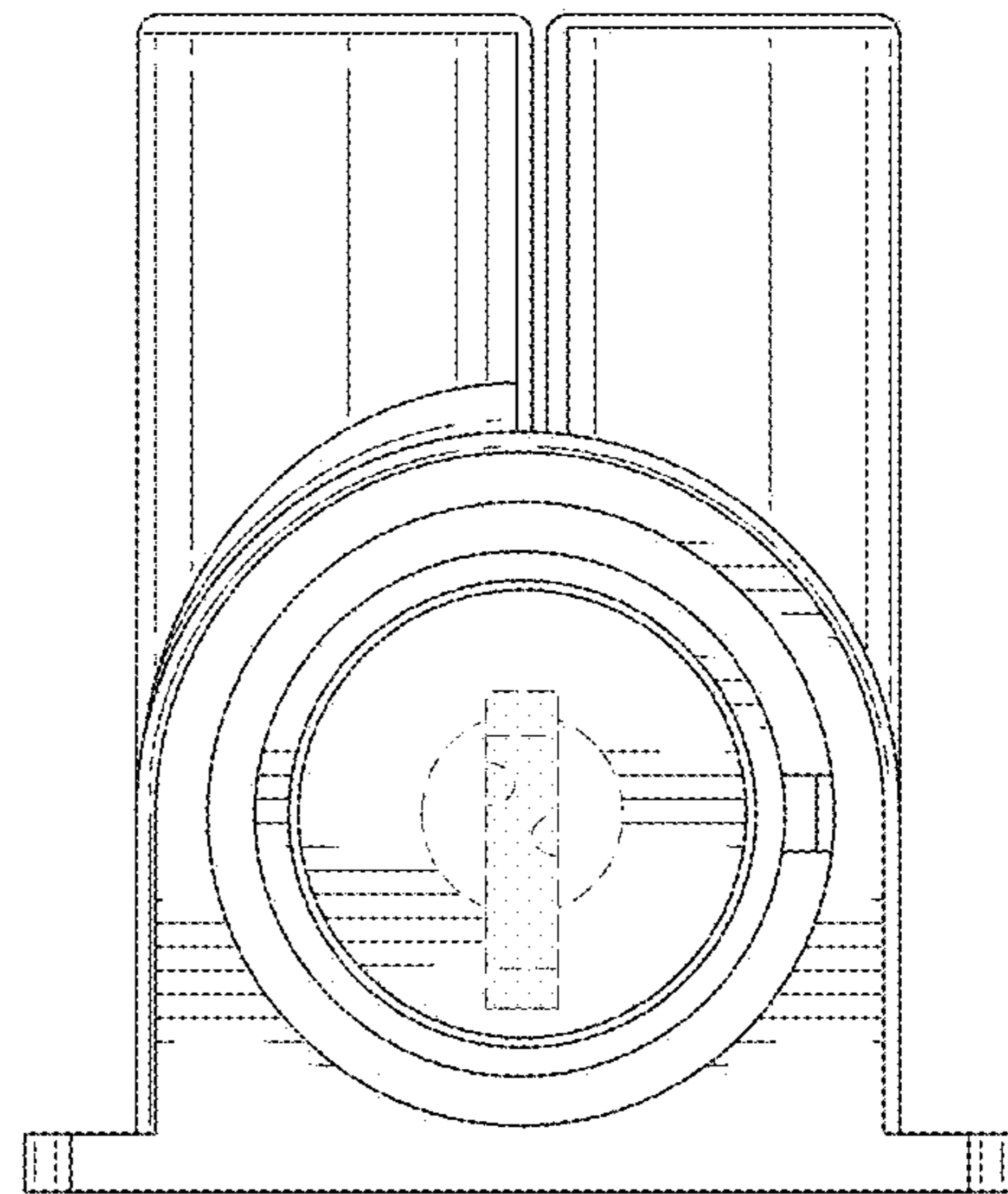


FIG. 4

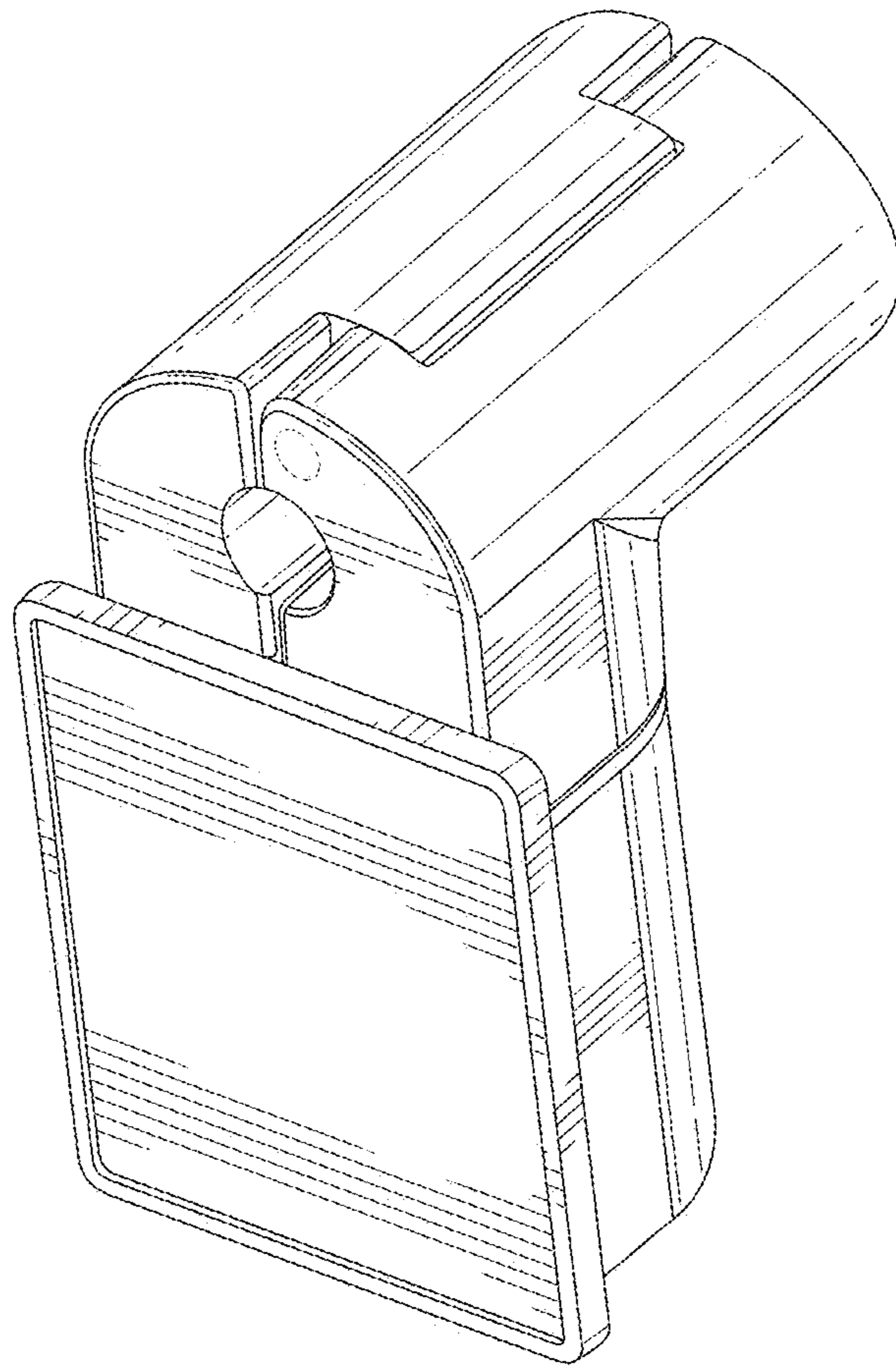


FIG. 5

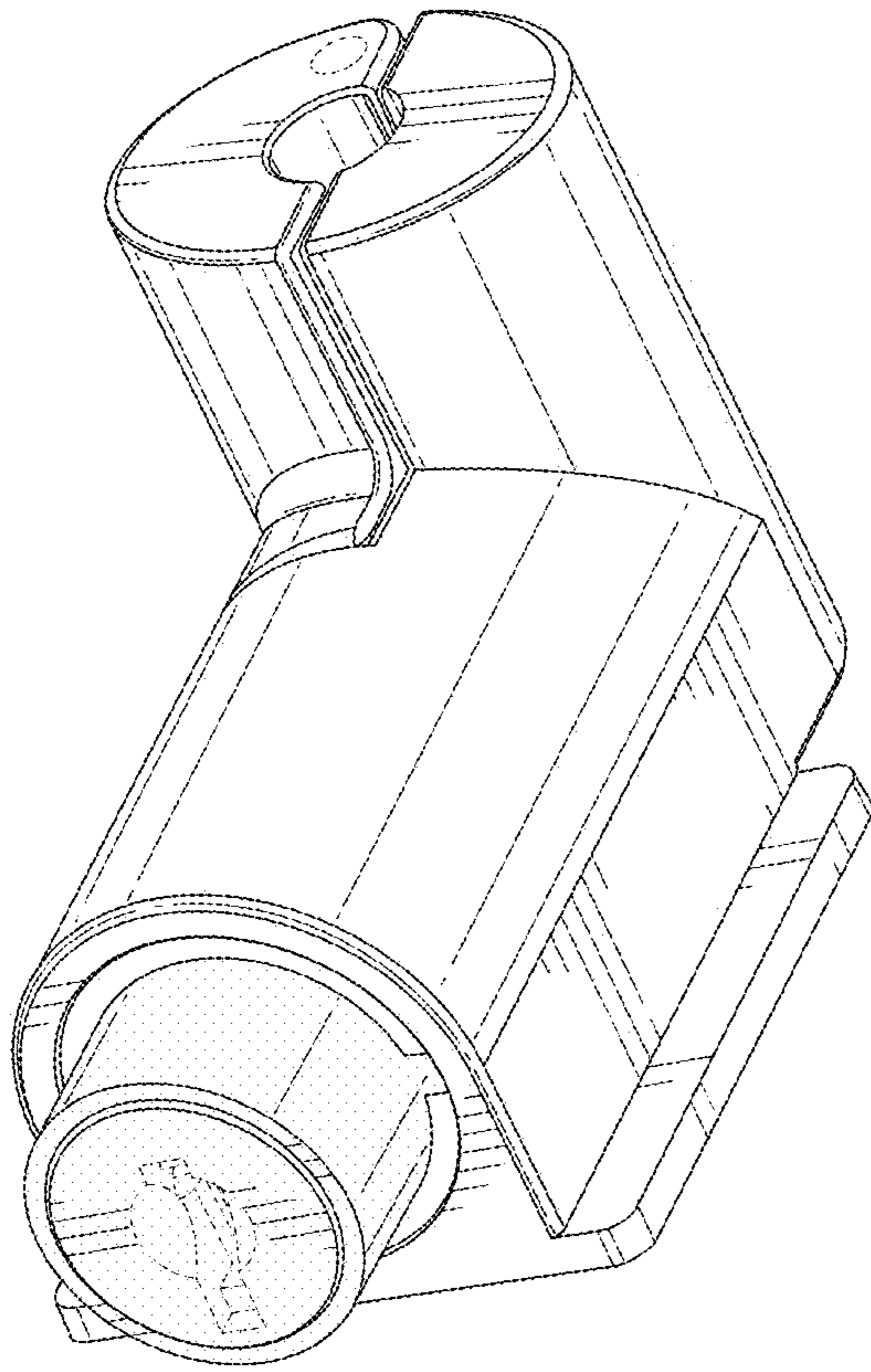


FIG. 6

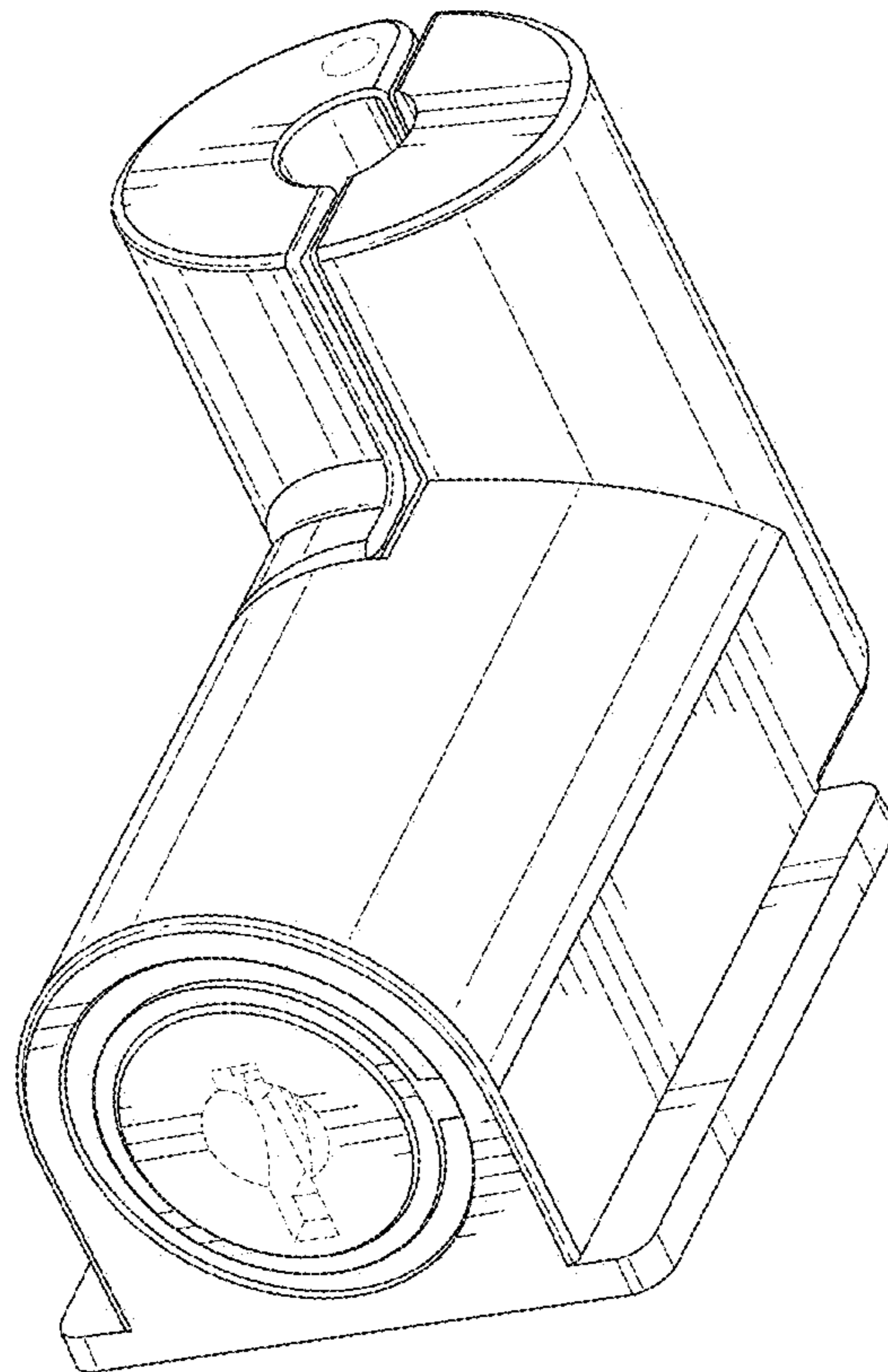


FIG. 7

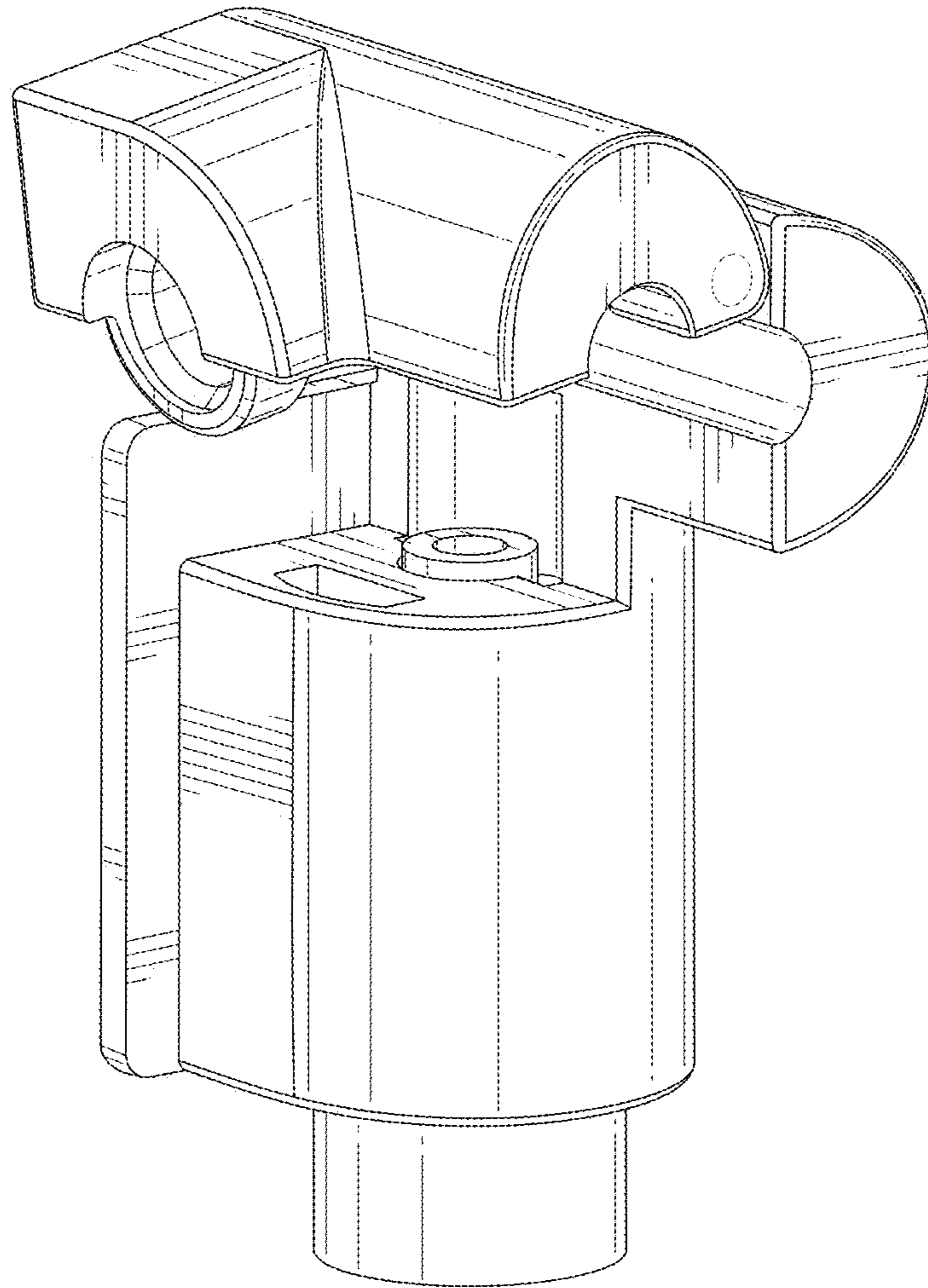


FIG. 8

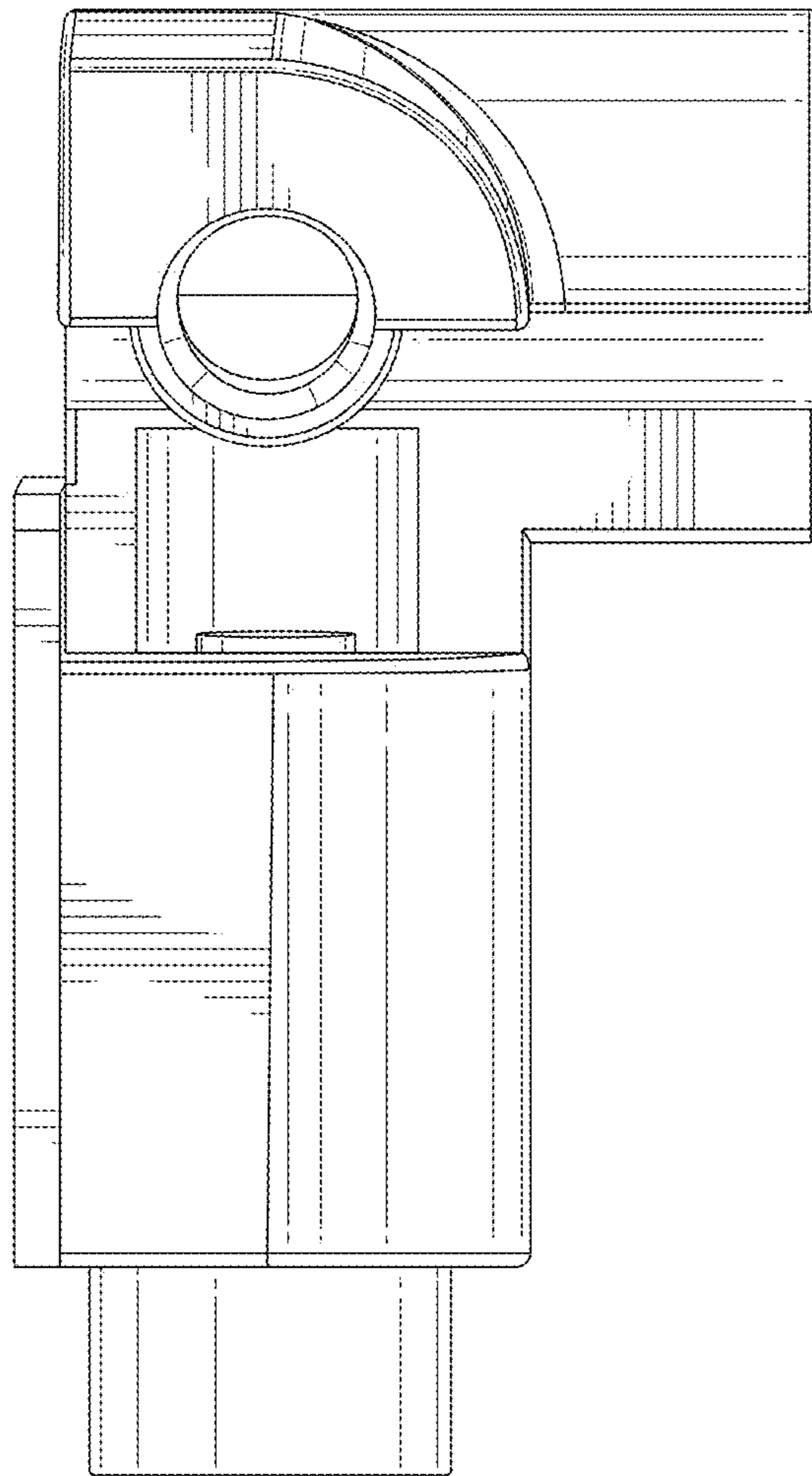


FIG. 9

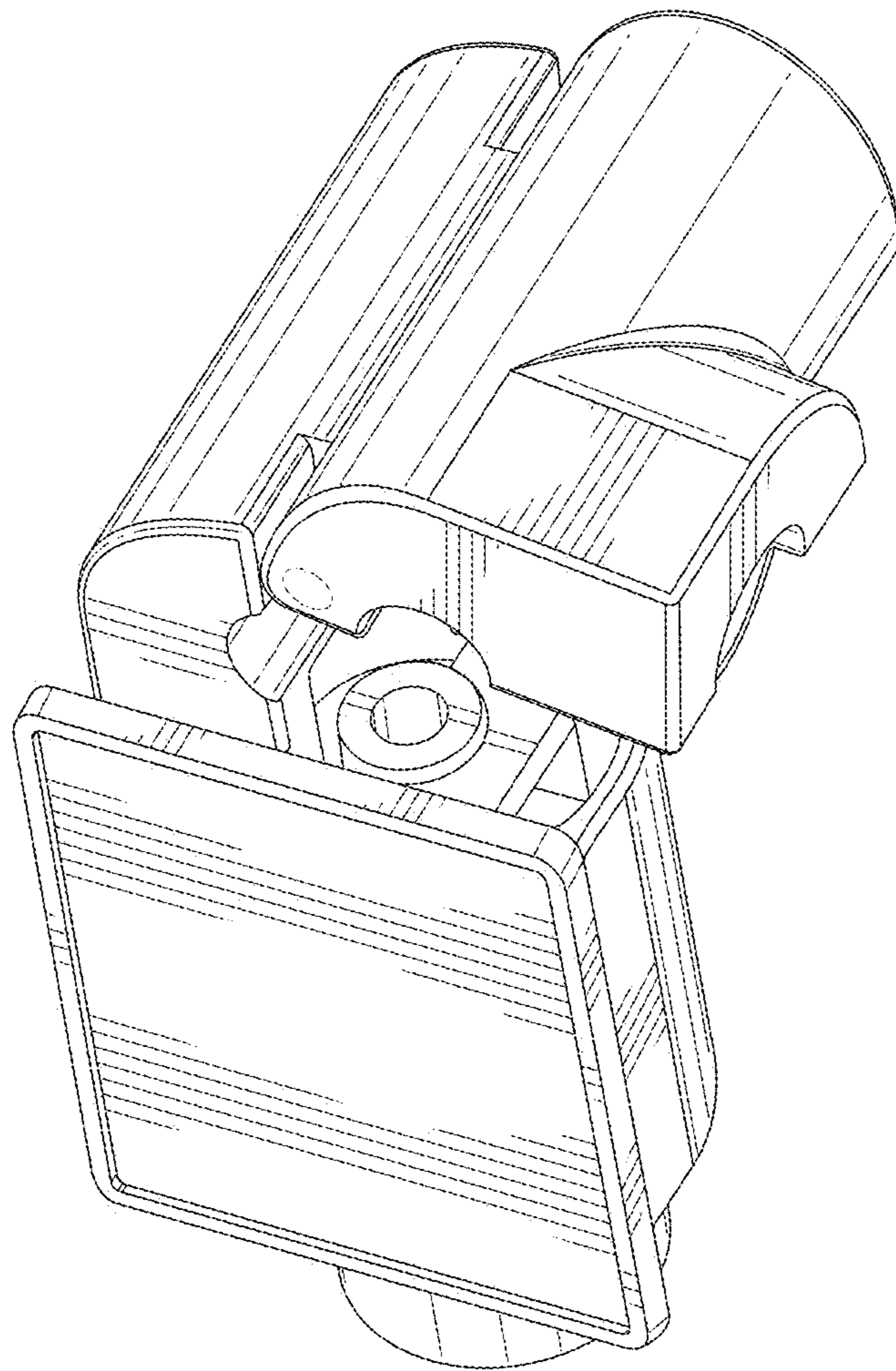


FIG. 10