



US00D899217S

(12) **United States Design Patent** (10) **Patent No.:** **US D899,217 S**
Bould et al. (45) **Date of Patent:** **** Oct. 20, 2020**

(54) **MULTI-USE HANDTOOL**
(71) Applicant: **Grigor Group Limited**, Birmingham (GB)
(72) Inventors: **Simon Grigor Bould**, Birmingham (GB); **Frances Kate Rice**, Birmingham (GB)
(73) Assignee: **GRIGOR GROUP LIMITED**, Birmingham (GB)
(**) Term: **15 Years**
(21) Appl. No.: **29/683,152**
(22) Filed: **Mar. 11, 2019**
(51) **LOC (12) Cl.** **08-05**
(52) **U.S. Cl.**
USPC **D8/105**; D8/27
(58) **Field of Classification Search**
USPC D8/105, 81, 88, 89, 14, 16-19, 21, 27, D8/51, 98, 99, 104, 45, 48
CPC . B25G 1/10; B25B 13/04; B66F 15/00; B66F 17/00
See application file for complete search history.

D832,673 S * 11/2018 Berman D8/105
D837,619 S * 1/2019 George D8/14
D878,890 S * 3/2020 Riehl D8/105

FOREIGN PATENT DOCUMENTS

GB 6009548 3/2017

OTHER PUBLICATIONS

GRIGA Multi-tool Spanner; published by Kickstarter on Feb. 7, 2019; <<https://www.kickstarter.com/projects/531812288/griga-multi-tool-spanner/posts>> (Year: 2019).
Kupo WS-140 Wingnut Multi-Spanner. Webpage [online]. B&H Photo Video, dated 2018, 3 pages [retrieved on Feb. 19, 2019] Retrieved from the Internet: <URL:https://www.bhphotovideo.com/c/product/1180021-REG/kupo_kg070211_wingnut_multi_spanner_tool.html>.

(Continued)

Primary Examiner — Janice Hallmark
(74) *Attorney, Agent, or Firm* — Nolte Intellectual Property Law Group

(57) **CLAIM**

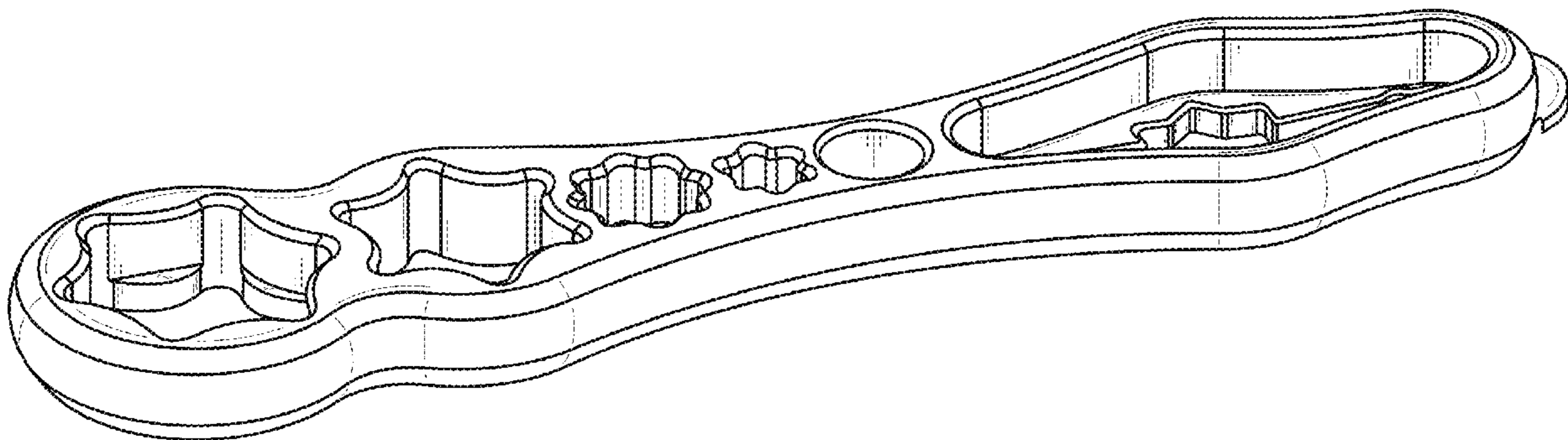
We claim the ornamental design for the multi-use handtool, as shown and described.

DESCRIPTION

FIG. 1 is a top perspective view of the multi-use handtool showing our new design;
FIG. 2 is a bottom perspective view thereof;
FIG. 3 is another bottom perspective view thereof;
FIG. 4 is an end elevational view thereof;
FIG. 5 is a side elevational view thereof;
FIG. 6 is a top plan view thereof; and,
FIG. 7 is a bottom plan view thereof.

1 Claim, 5 Drawing Sheets

(56) **References Cited**
U.S. PATENT DOCUMENTS
2,723,581 A * 11/1955 Schwaiger B25B 13/48 81/176.1
D311,313 S * 10/1990 Whiteside D8/17
D445,655 S * 7/2001 Maddox D8/105
D477,197 S * 7/2003 Yates D8/19
D506,371 S * 6/2005 Hsien D8/21
D666,883 S * 9/2012 Howard F41A 35/00 D8/19
D689,351 S * 9/2013 Webb, Jr. D8/17
D724,398 S * 3/2015 Streets D8/17
D772,028 S * 11/2016 Tangreen D8/17
D781,125 S * 3/2017 Manor D8/105
D801,139 S * 10/2017 Cheng D8/19



(56)

References Cited

OTHER PUBLICATIONS

Huss 7in1 Rigger Multi-Tool, Burnished Black, M8, M10, M12, 5/8" (16mm), Wing Nut Wrench, Bottle Opener, Hammer. Webpage [online]. Huss Licht & Ton, dated 2018, 3 pages [retrieved on Feb. 19, 2019] Retrieved from the Internet: <URL:https://www.huss-licht-ton.de/product_info.php/en/Huss-7in1-Rigger-Multi-Tool/info/22849.html>.

StageJunk 5875-CT Ultimate Focus Tool. Webpage [online]. Full Compass Systems, Ltd., dated 2018, 2 pages [retrieved on Feb. 19, 2019] Retrieved from the Internet: <URL:<https://www.fullcompass.com/prod/224937-stagejunk-5875-ct-ultimate-focus-tool>>.

Focus Tool. Webpage [online]. Barbizon Lightning Company, dated 2019, 2 pages [retrieved on Mar. 7, 2019] Retrieved from the Internet:<URL:https://www.barbizon.com/product_info/general-brand-focus-tool-focus-tool-focus-tool.html>.

* cited by examiner

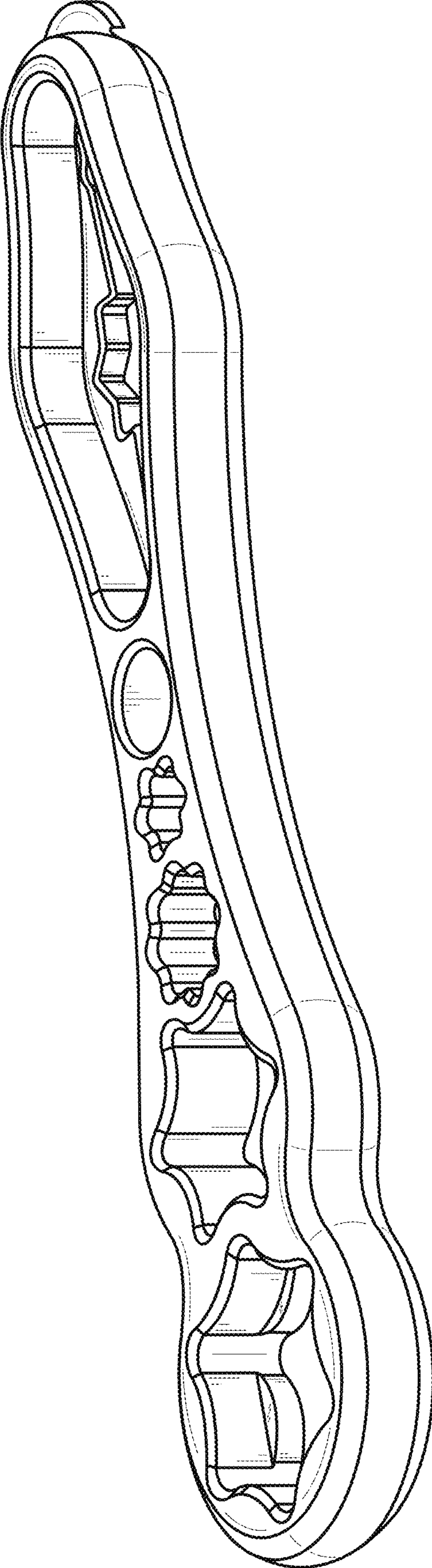


FIG. 1

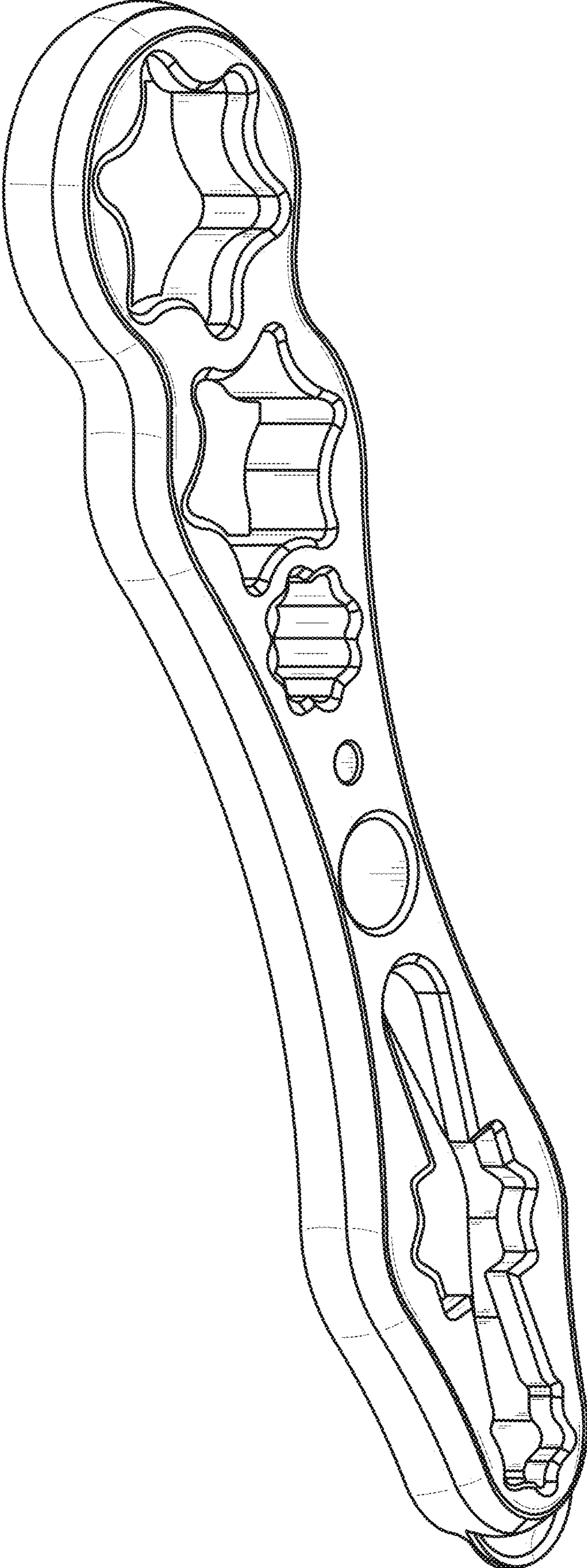


FIG. 2

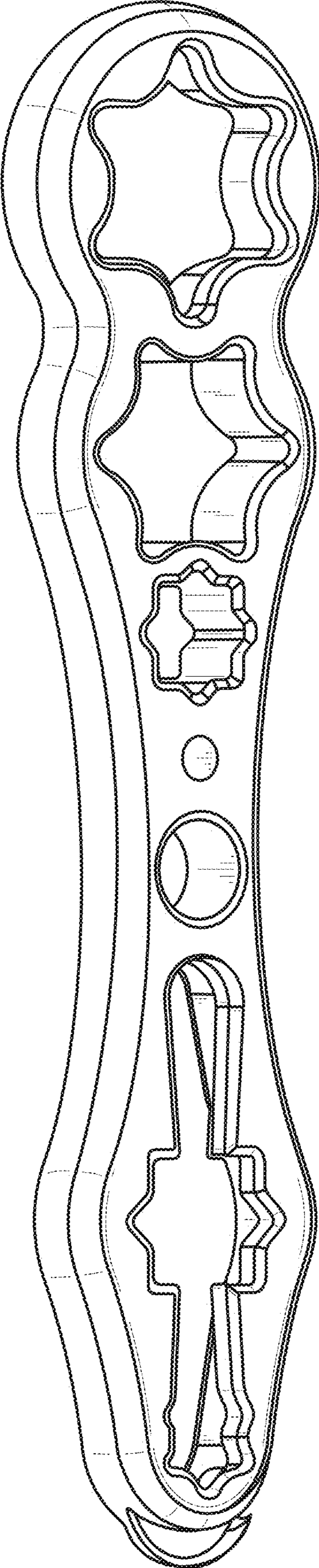


FIG. 3

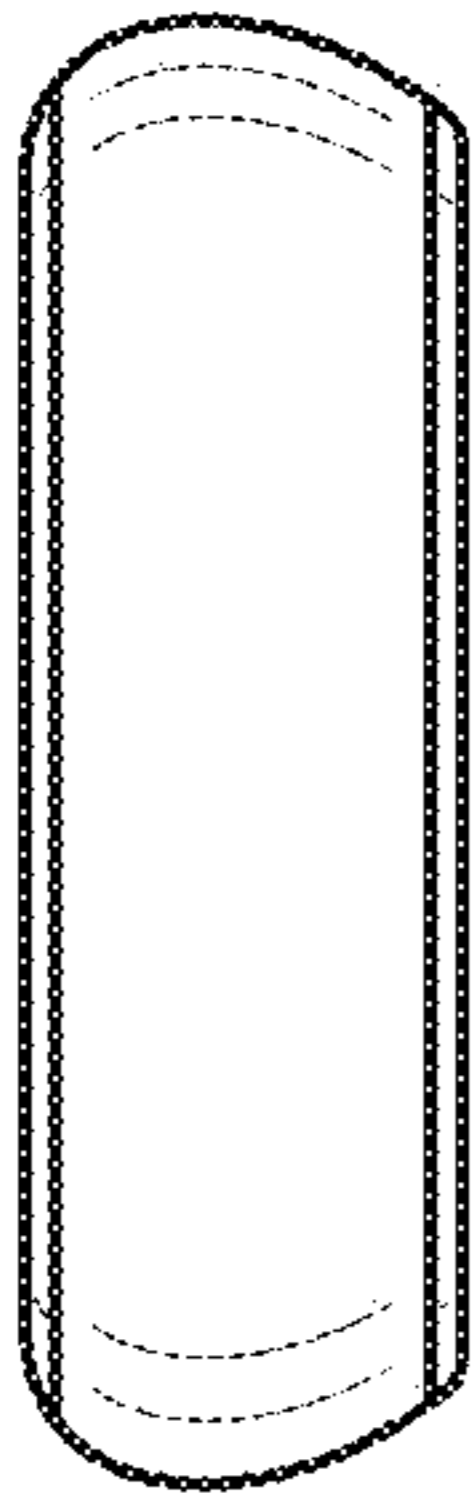


FIG. 4

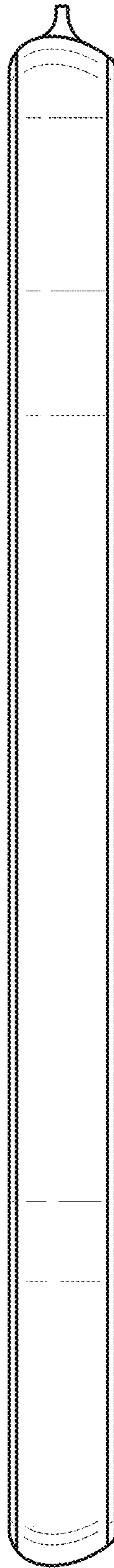


FIG. 5

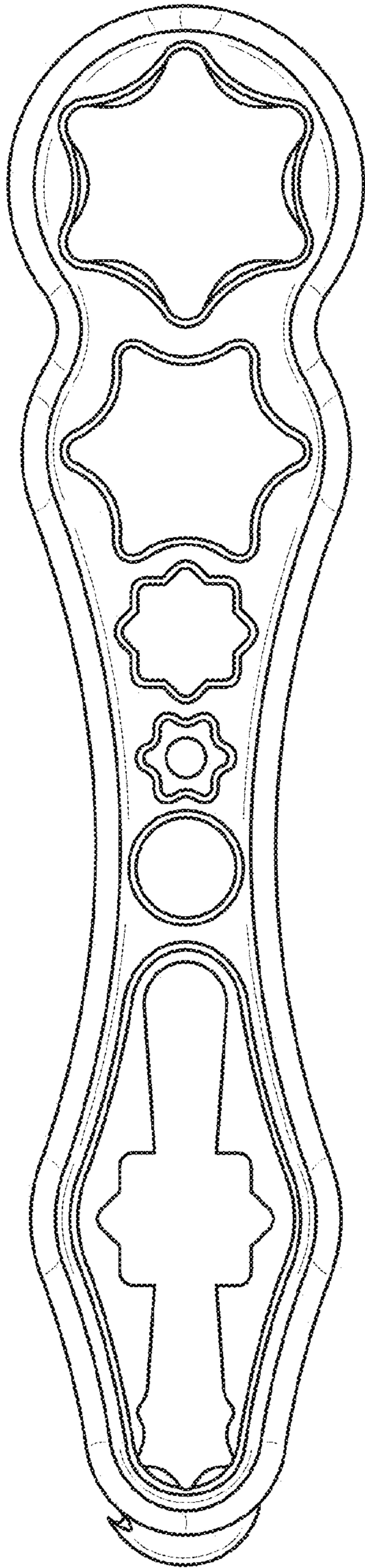


FIG. 6

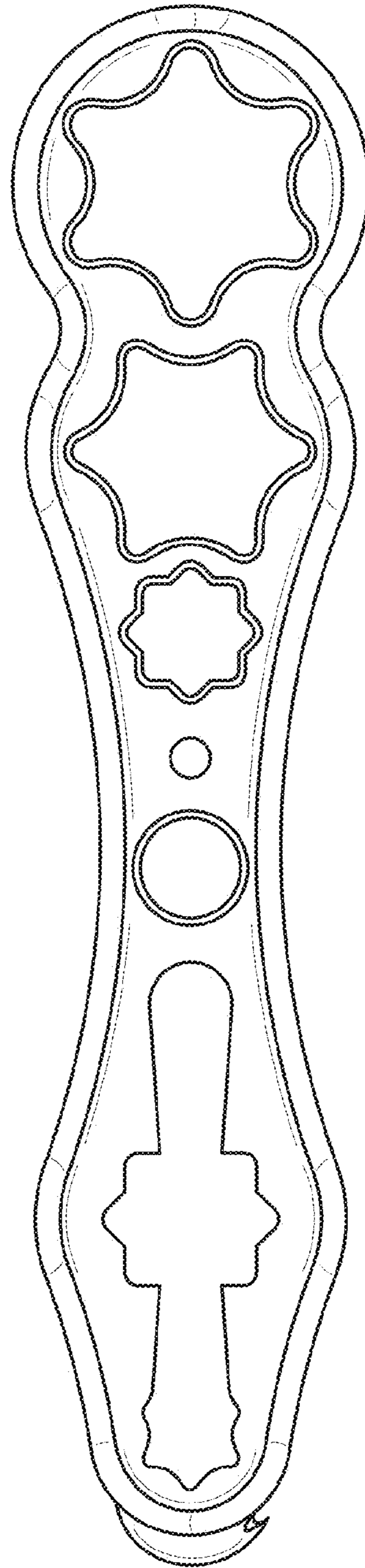


FIG. 7