



US00D899213S

(12) **United States Design Patent**  
**Lundbaeck et al.**

(10) **Patent No.:** **US D899,213 S**  
(45) **Date of Patent:** **\*\* Oct. 20, 2020**

(54) **ATTACHMENT FOR POWER TOOL**  
(71) Applicant: **Robert Bosch GmbH**, Stuttgart (DE)  
(72) Inventors: **Andreas Lundbaeck**, Stockholm (SE);  
**Richard Borrett**, Dunedin (NZ); **Zoran Tasic**, Esslingen (DE)  
(73) Assignee: **Robert Bosch GmbH**, Stuttgart (DE)  
(\*\*) Term: **15 Years**  
(21) Appl. No.: **29/688,104**  
(22) Filed: **Apr. 18, 2019**

7,506,877 B1 \* 3/2009 Henderson ..... B23B 31/02  
279/143  
D610,430 S \* 2/2010 Fritz ..... D15/139  
D623,034 S \* 9/2010 Evatt ..... D8/70  
D633,769 S \* 3/2011 Evatt ..... D8/70  
8,366,356 B2 \* 2/2013 Novak ..... B23B 51/0473  
408/204  
D682,651 S \* 5/2013 McRoberts ..... D8/20  
D714,119 S \* 9/2014 Graber ..... D8/70  
9,022,703 B2 \* 5/2015 Keightley ..... B23B 51/0473  
408/204  
D738,178 S \* 9/2015 Eisinger ..... D8/70  
(Continued)

(30) **Foreign Application Priority Data**  
Oct. 19, 2018 (EM) ..... 005803251  
(51) **LOC (12) Cl.** ..... **08-05**  
(52) **U.S. Cl.**  
USPC ..... **D8/70; D15/138**  
(58) **Field of Classification Search**  
USPC ..... D8/70; D15/140  
CPC ... B23B 31/4073; B23B 51/0473; B27B 5/32;  
B27B 5/34; B23D 61/025  
See application file for complete search history.

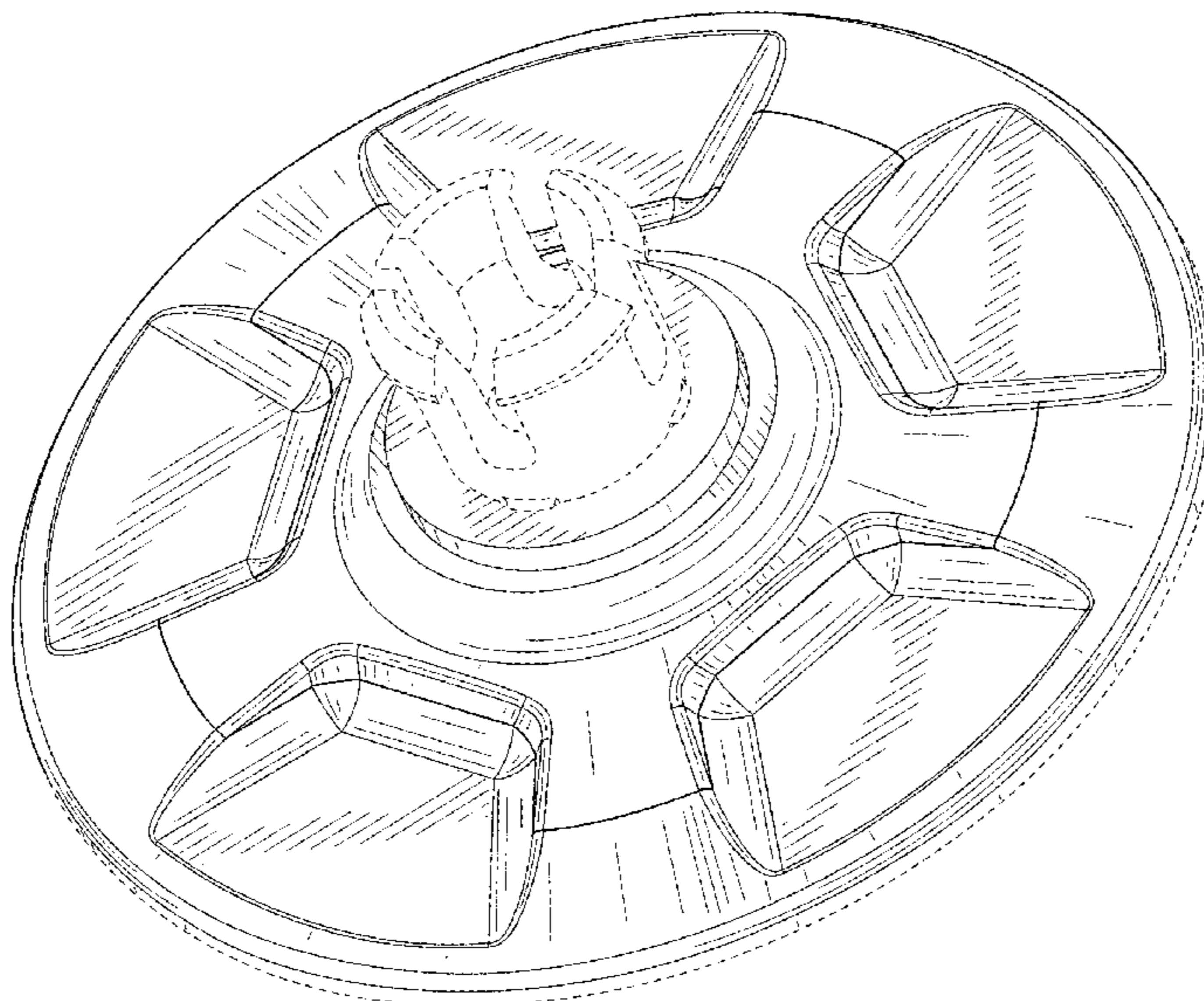
*Primary Examiner* — Darlington Ly  
(74) *Attorney, Agent, or Firm* — Maginot, Moore & Beck  
LLP

(56) **References Cited**  
U.S. PATENT DOCUMENTS  
2,846,826 A \* 8/1958 Miller ..... B24D 5/16  
451/342  
3,647,310 A \* 3/1972 Morse ..... B23B 51/0426  
408/239 R  
3,783,729 A \* 1/1974 Parr ..... B27B 5/32  
83/666  
5,413,437 A \* 5/1995 Bristow ..... B23B 51/0426  
408/1 R  
5,658,102 A \* 8/1997 Gale ..... B23B 51/0426  
408/1 R  
7,175,372 B2 \* 2/2007 Davis ..... B23B 31/4073  
408/204

(57) **CLAIM**  
The ornamental design for an attachment for power tool, as  
shown and described.

**DESCRIPTION**  
FIG. 1 is a perspective view of an attachment for power tool  
showing our new design;  
FIG. 2 is a right side elevational view of the attachment for  
power tool of FIG. 1;  
FIG. 3 is a left side elevational view of the attachment for  
power tool of FIG. 1;  
FIG. 4 is a front side elevational view of the attachment for  
power tool of FIG. 1;  
FIG. 5 is a rear side elevational view of the attachment for  
power tool of FIG. 1;  
FIG. 6 is a top plan view of the attachment for power tool  
of FIG. 1; and,  
FIG. 7 is a bottom plan view of the attachment for power  
tool of FIG. 1.  
The broken lines shown in the drawings illustrate portions of  
the attachment for power tool that form no part of the  
claimed design.

**1 Claim, 7 Drawing Sheets**



(56)

**References Cited**

U.S. PATENT DOCUMENTS

RE46,103 E \* 8/2016 Novak ..... B23B 51/04  
2010/0320829 A1 \* 12/2010 Sollami ..... E21C 35/18  
299/106

\* cited by examiner

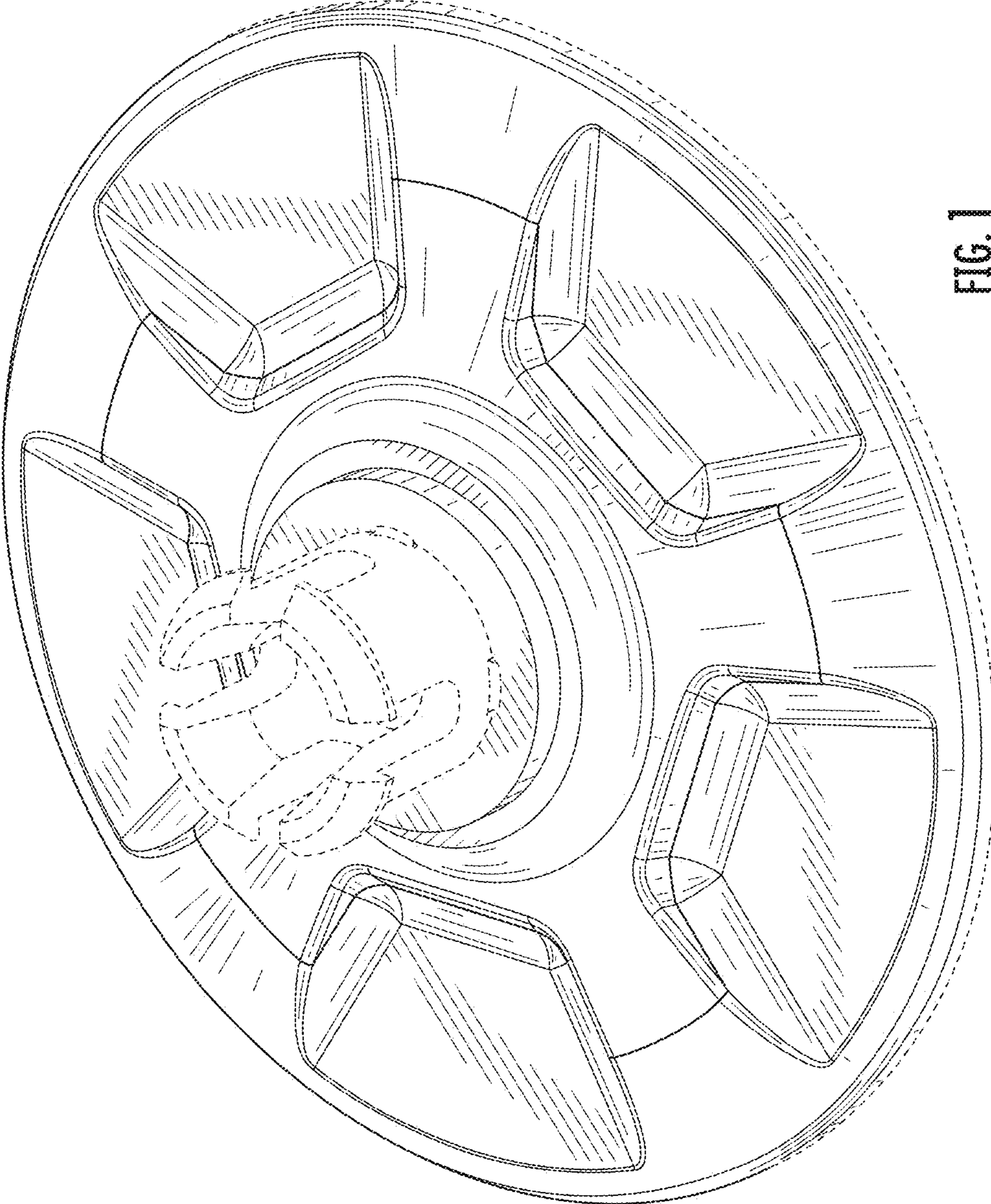


FIG. 1

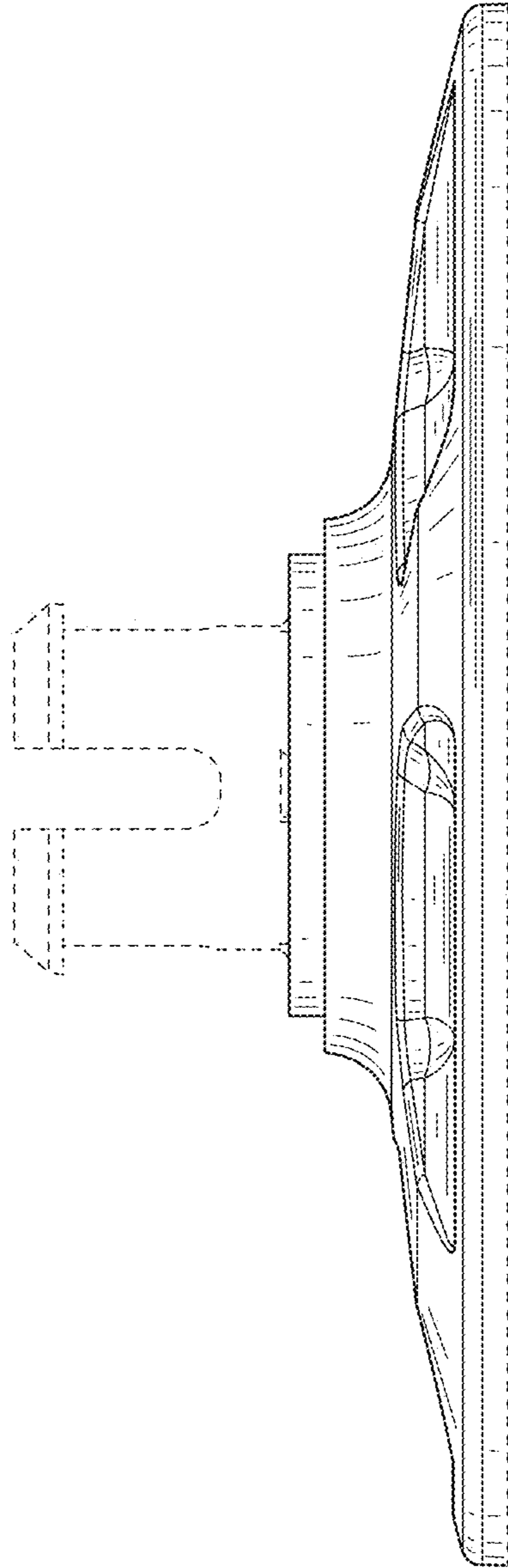


FIG. 2

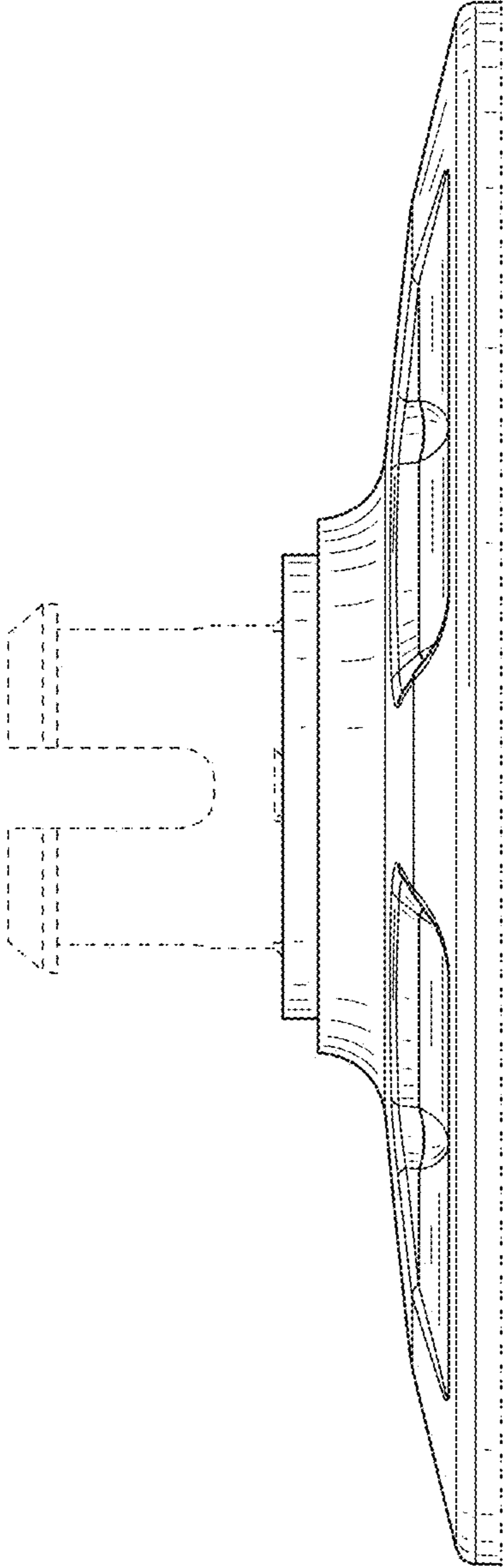


FIG. 3

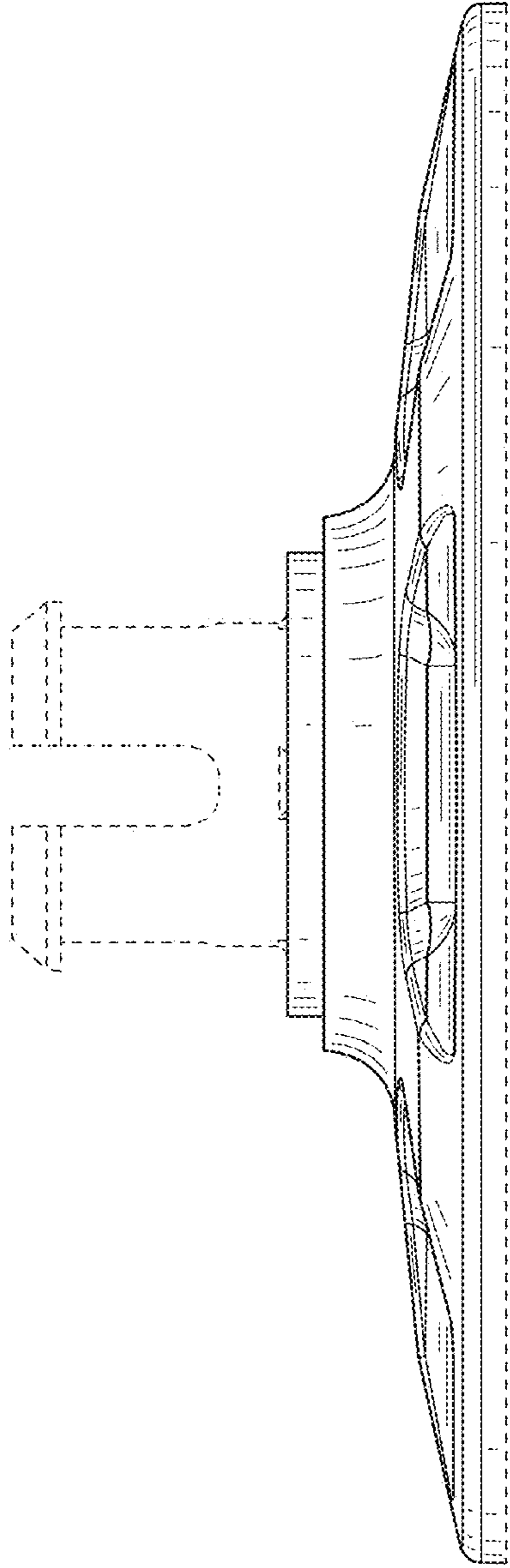


FIG. 4

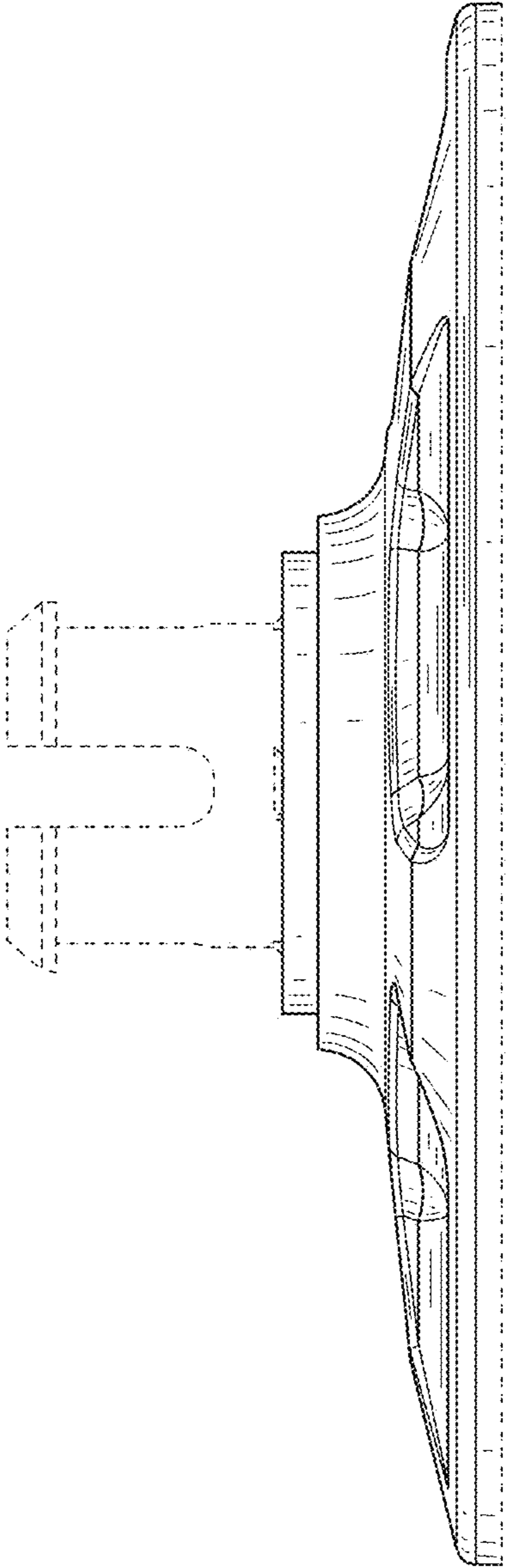


FIG. 5

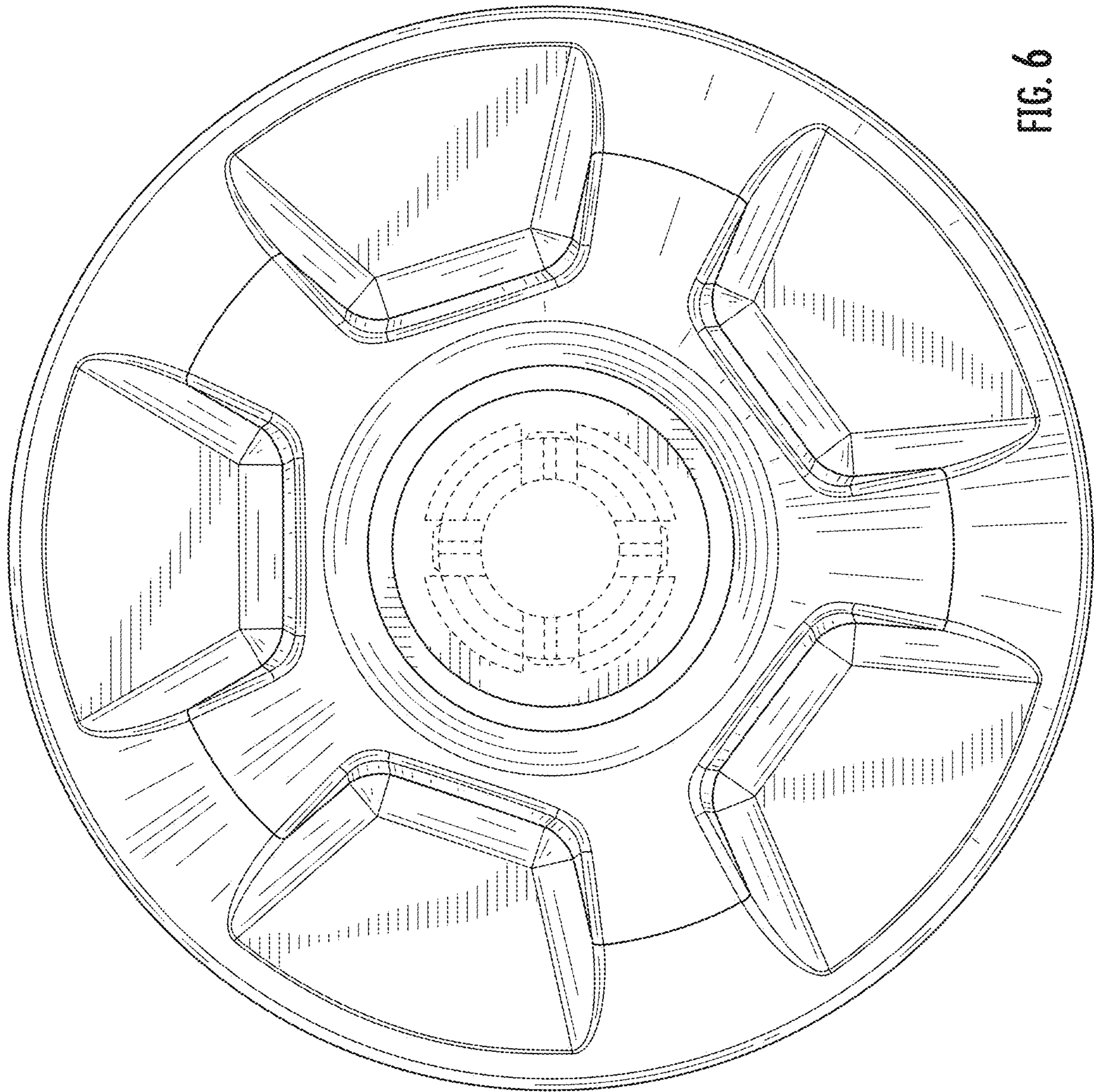


FIG. 6



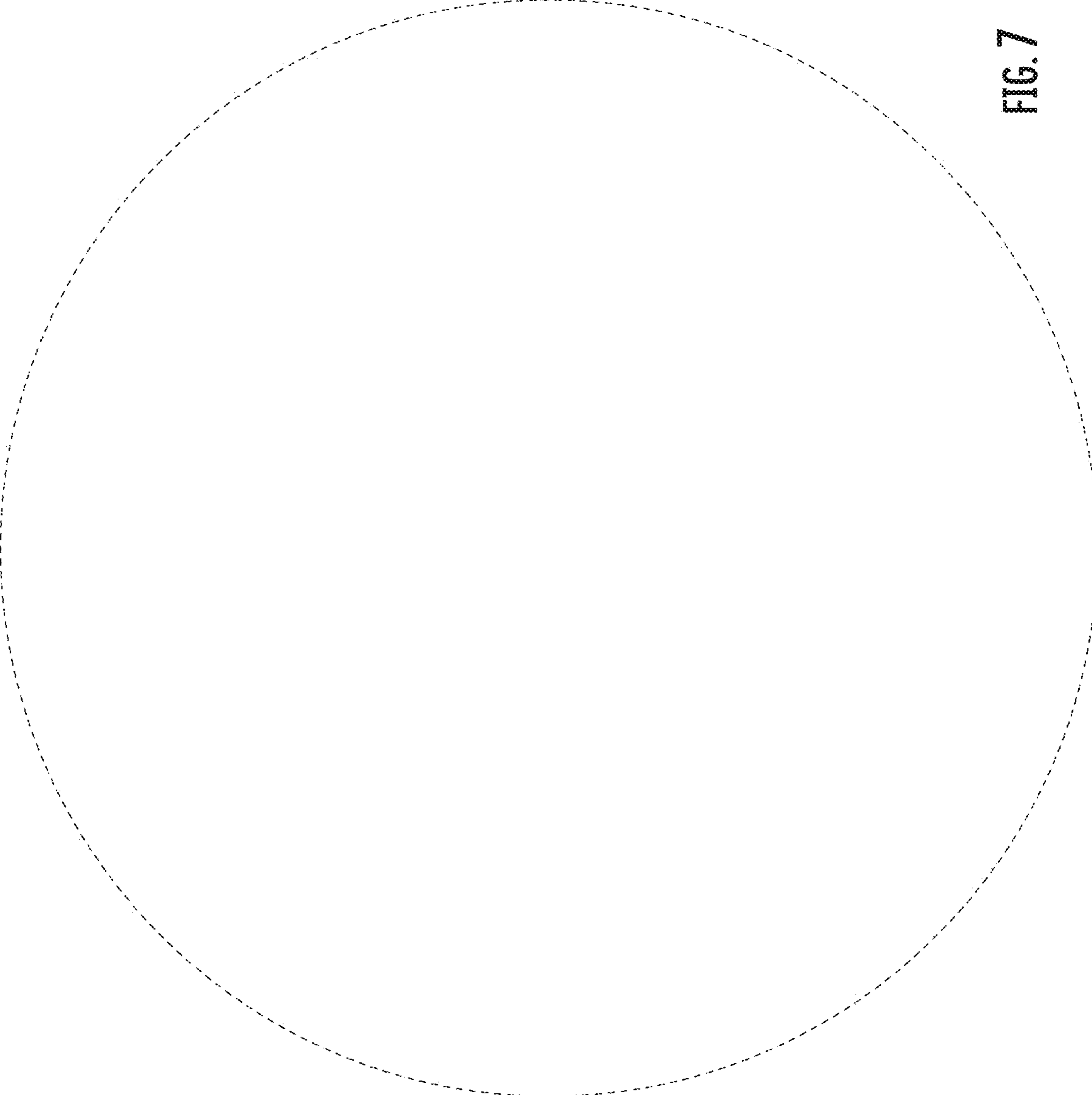


FIG. 7