



US00D899210S

(12) **United States Design Patent**
Thompson

(10) **Patent No.:** **US D899,210 S**

(45) **Date of Patent:** **** Oct. 20, 2020**

(54) **IMPACT WRENCH**

(71) Applicant: **BLACK & DECKER INC.**, New Britain, CT (US)

(72) Inventor: **Samuel P. Thompson**, Newcastle Upon Tyne (GB)

(73) Assignee: **BLACK & DECKER INC.**, New Britain, CT (US)

(**) Term: **15 Years**

(21) Appl. No.: **29/676,351**

(22) Filed: **Jan. 10, 2019**

(51) **LOC (12) Cl.** **08-05**

(52) **U.S. Cl.**
USPC **D8/68**

(58) **Field of Classification Search**
USPC D8/61, 67, 68
CPC B62D 23/005; B62D 29/00; B62D 29/043;
B62D 31/00; B62D 33/046; B62D 35/00;
B62D 35/001; B60Q 1/0005
See application file for complete search history.

(56) **References Cited**

U.S. PATENT DOCUMENTS

D524,136 S	*	7/2006	Taniguchi	D8/68
D525,099 S	*	7/2006	Nagasaka	D8/68
D556,002 S	*	11/2007	Ino	D8/68
D567,615 S	*	4/2008	Taniguchi	D8/68
D577,558 S	*	9/2008	Taniguchi	D8/68
D579,743 S	*	11/2008	Lopano	D8/68
D584,123 S	*	1/2009	Lopano	D8/68
D585,715 S	*	2/2009	Okuda	D8/68
D585,716 S	*	2/2009	Taniguchi	D8/68

D606,376 S	*	12/2009	Okuda	D8/68
D610,421 S	*	2/2010	Taniguchi	D8/68
D614,468 S	*	4/2010	Aglassinger	D8/68
D617,622 S	*	6/2010	Lopano	D8/68
D628,038 S	*	11/2010	Aoki	D8/68
D656,804 S	*	4/2012	Murray	D8/68
D672,627 S	*	12/2012	Kawase	D8/61
D677,137 S	*	3/2013	Kawase	D8/68
D678,024 S	*	3/2013	Taniguchi	D8/68
D679,160 S	*	4/2013	Okuda	D8/68
D679,161 S	*	4/2013	Kawase	D8/61
D691,444 S	*	10/2013	Tirone	D8/68
D700,822 S	*	3/2014	Tschopp	D8/68
D707,522 S	*	6/2014	Naksen	D8/68
D721,938 S	*	2/2015	Aoki	D8/68
D761,069 S	*	7/2016	Aoki	D8/68
D777,545 S	*	1/2017	Kosugi	D8/68

* cited by examiner

Primary Examiner — Darlington Ly

(74) *Attorney, Agent, or Firm* — Adan Ayala

(57) **CLAIM**

The ornamental design for an impact wrench, as shown and described.

DESCRIPTION

FIG. 1 is a front perspective view of an impact wrench showing our new design;

FIG. 2 is a front elevation view thereof;

FIG. 3 is a rear elevation view thereof;

FIG. 4 is a right side elevation view thereof;

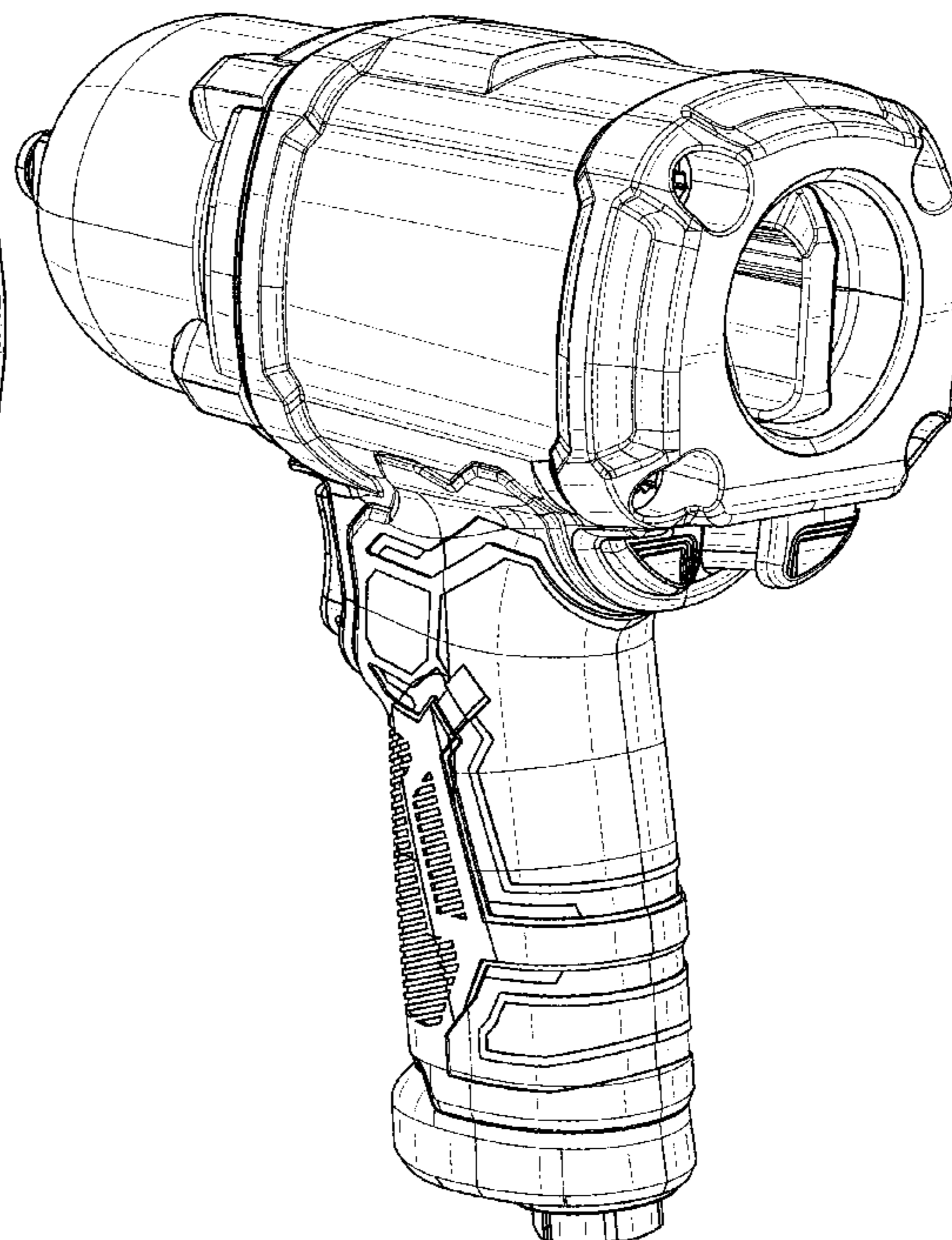
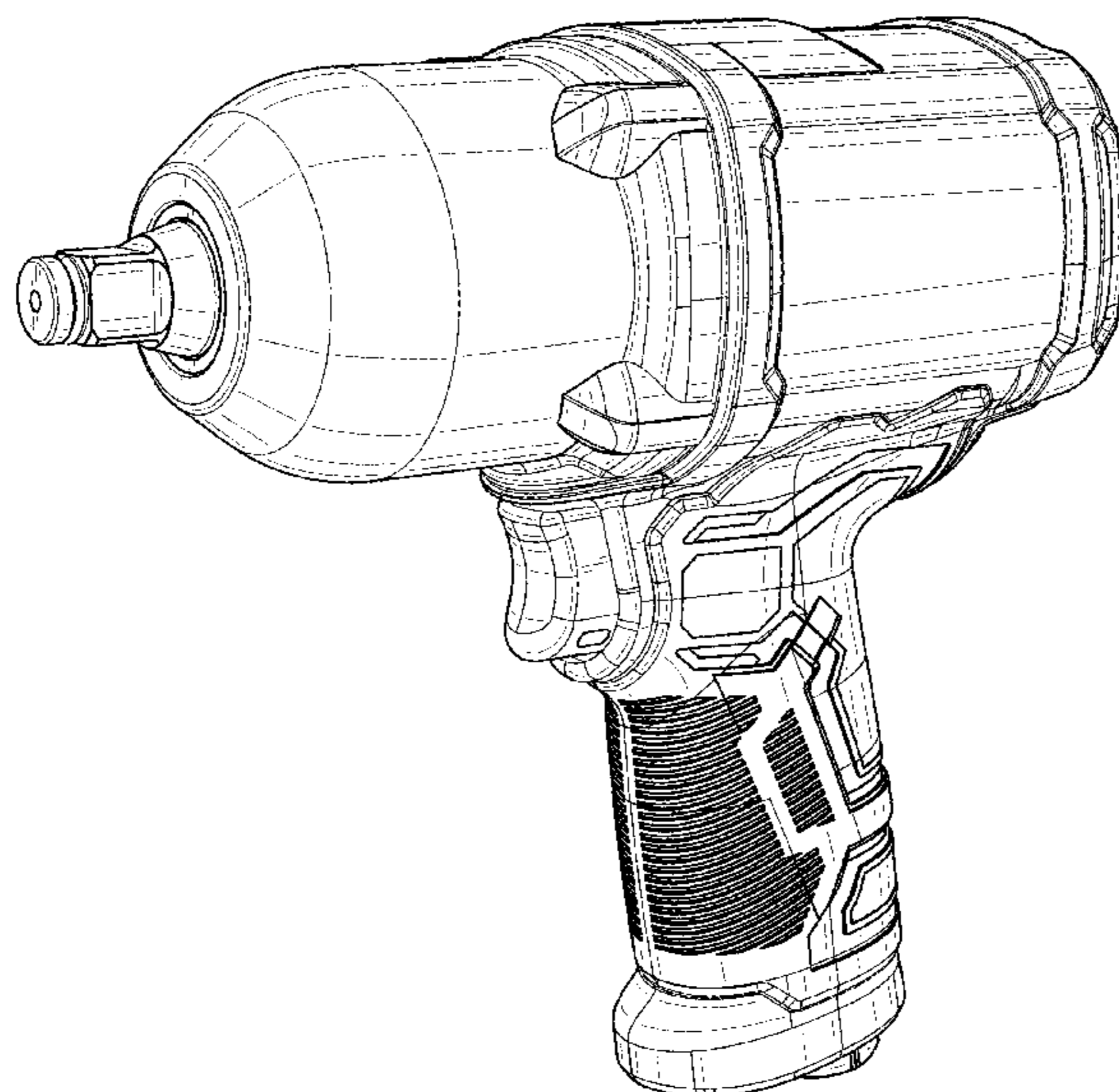
FIG. 5 is a left side elevation view thereof;

FIG. 6 is a top plan view thereof;

FIG. 7 is a bottom plan view thereof; and,

FIG. 8 is a rear perspective view thereof.

1 Claim, 8 Drawing Sheets



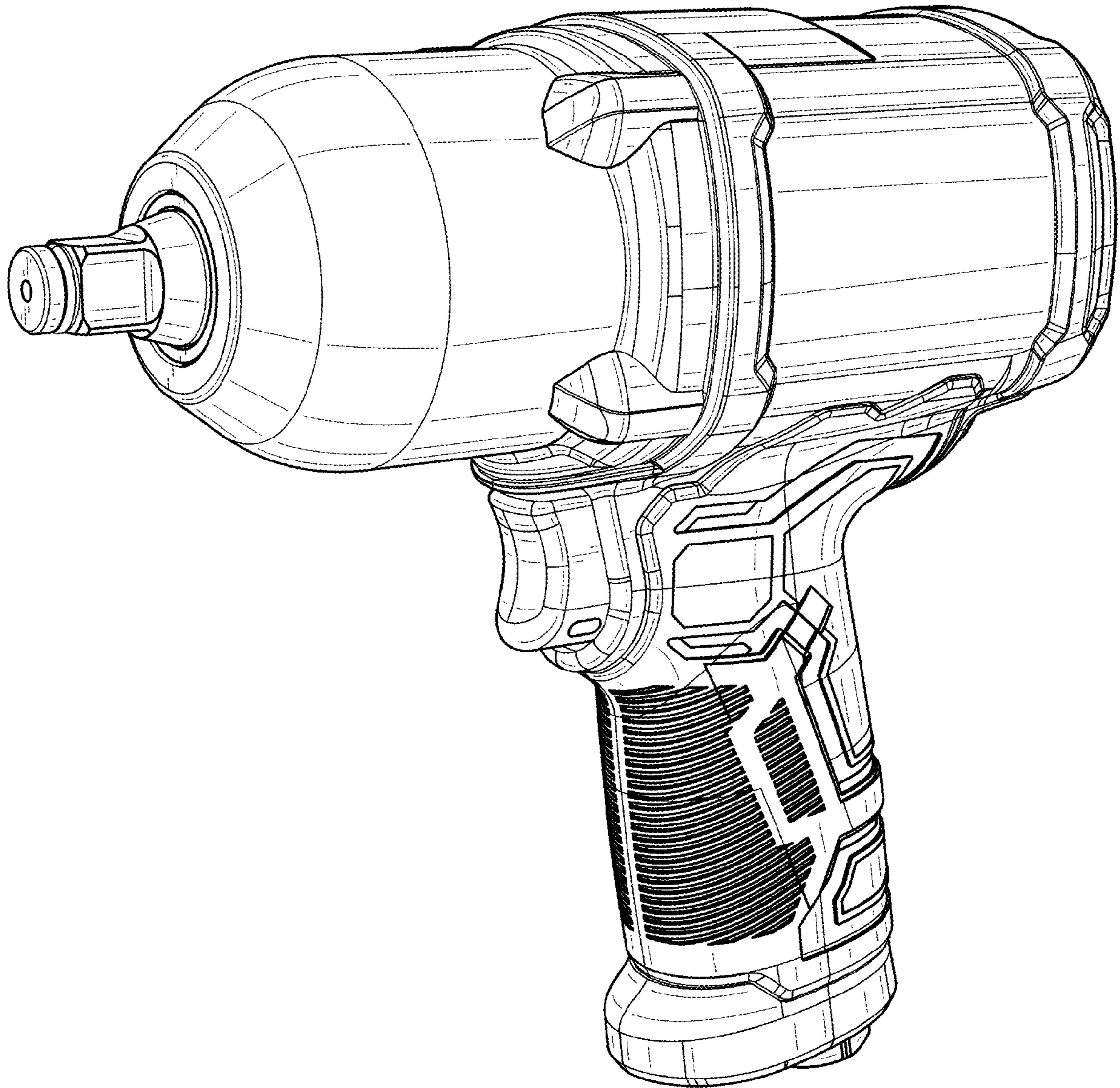


FIG. 1

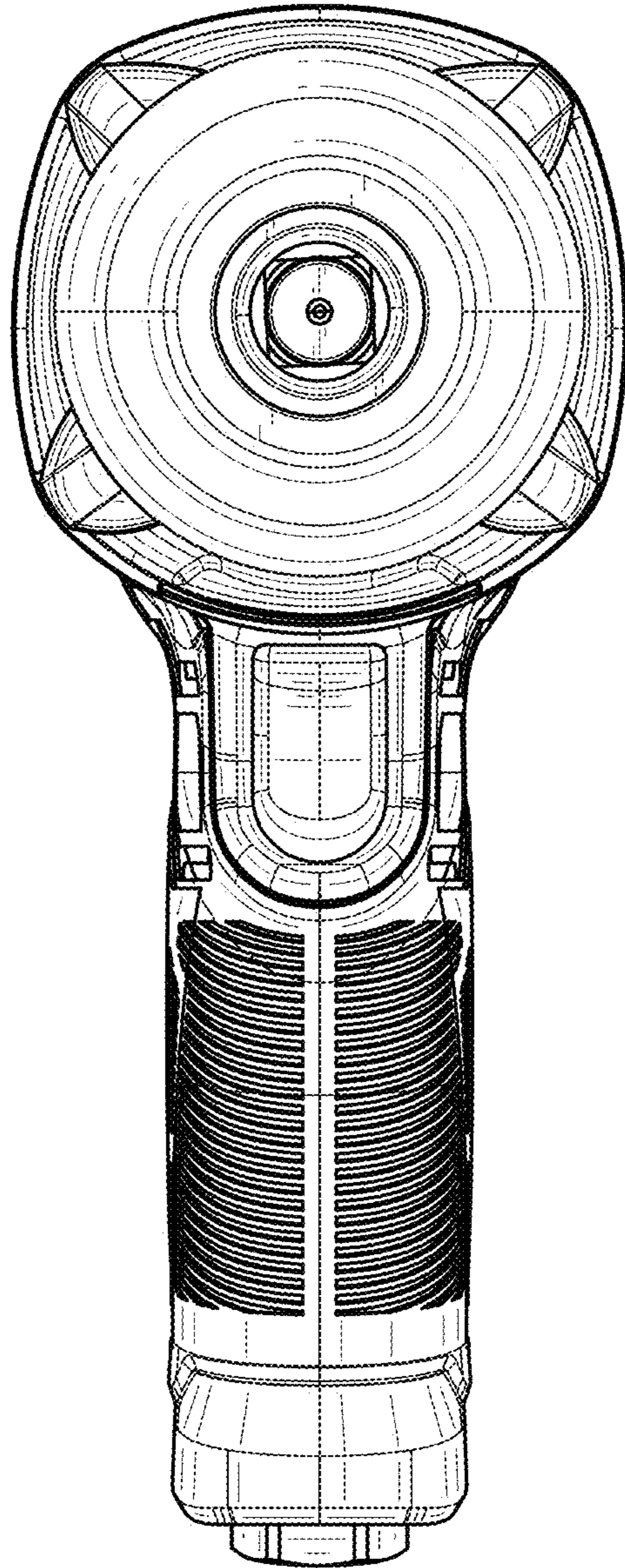


FIG. 2

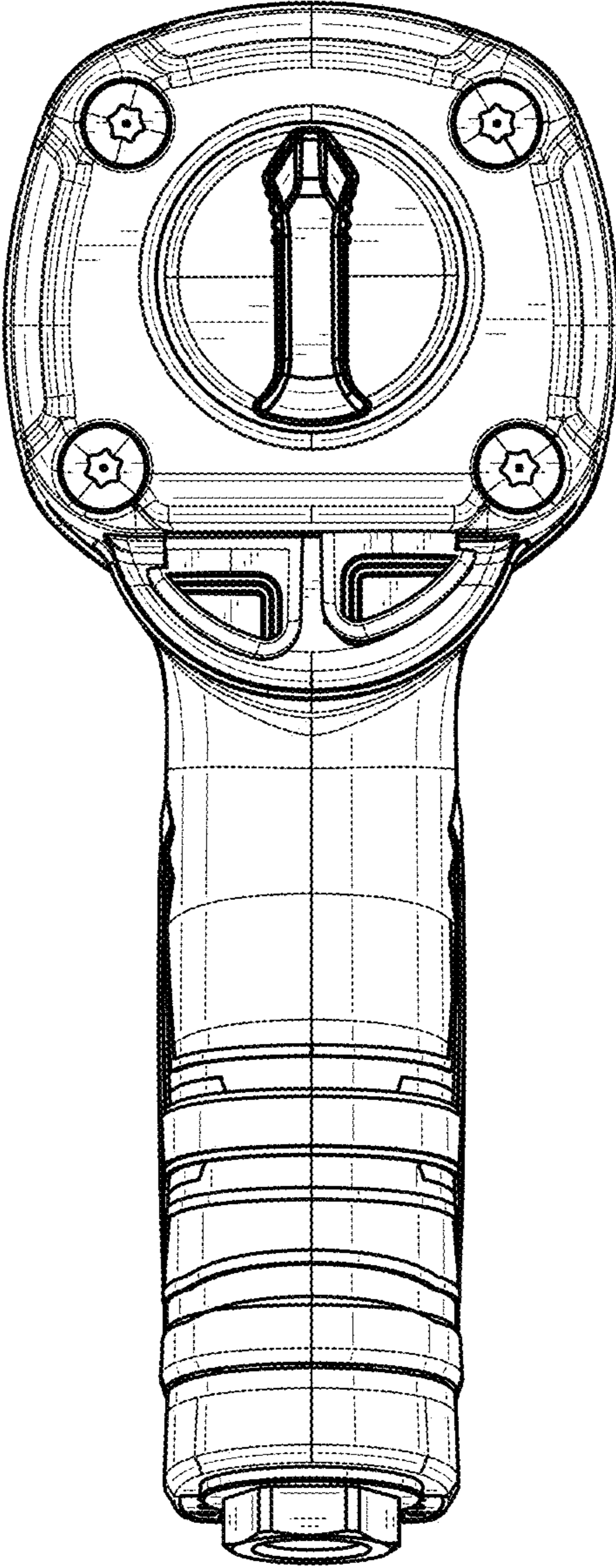


FIG. 3

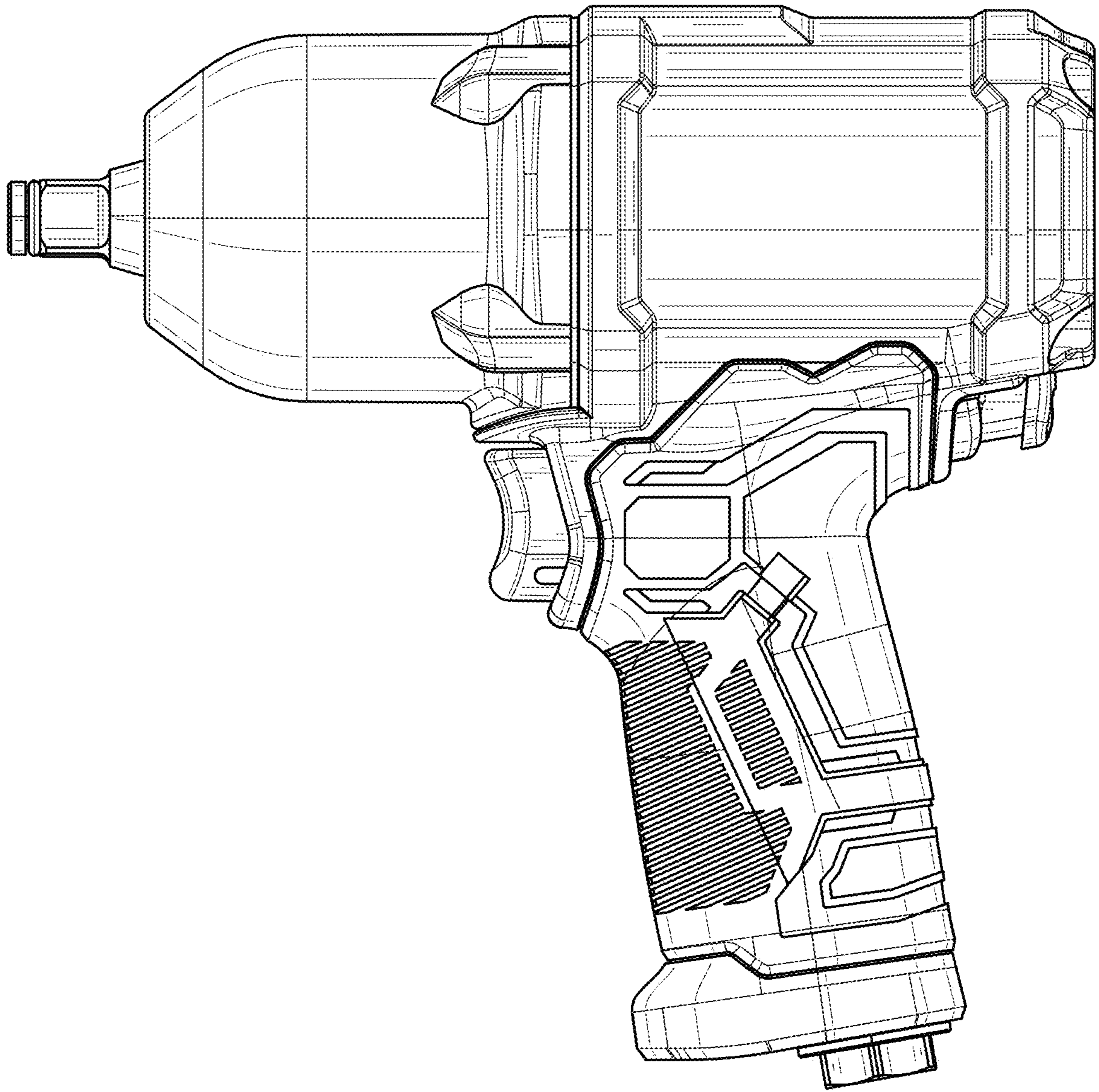


FIG. 4

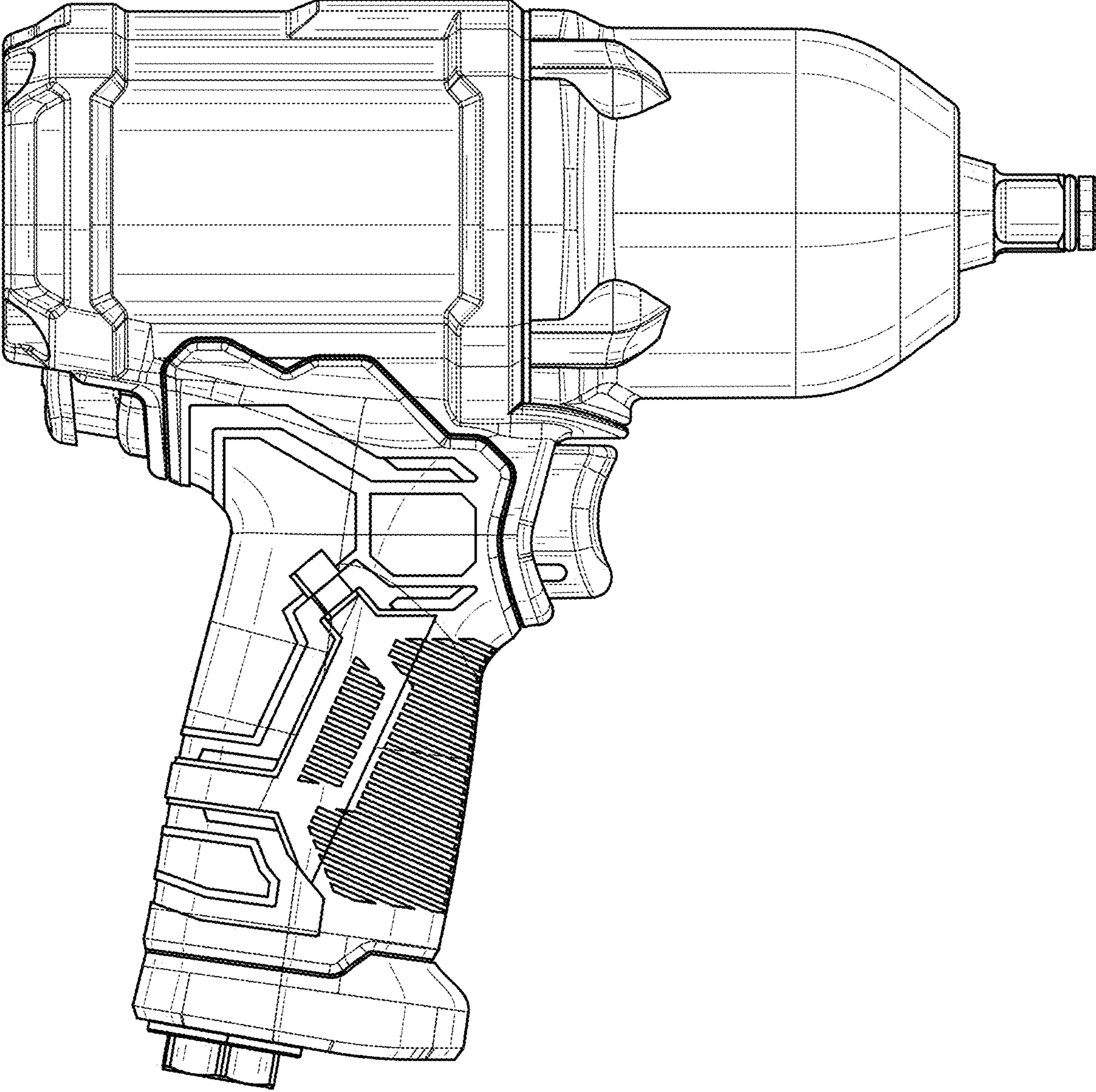


FIG. 5

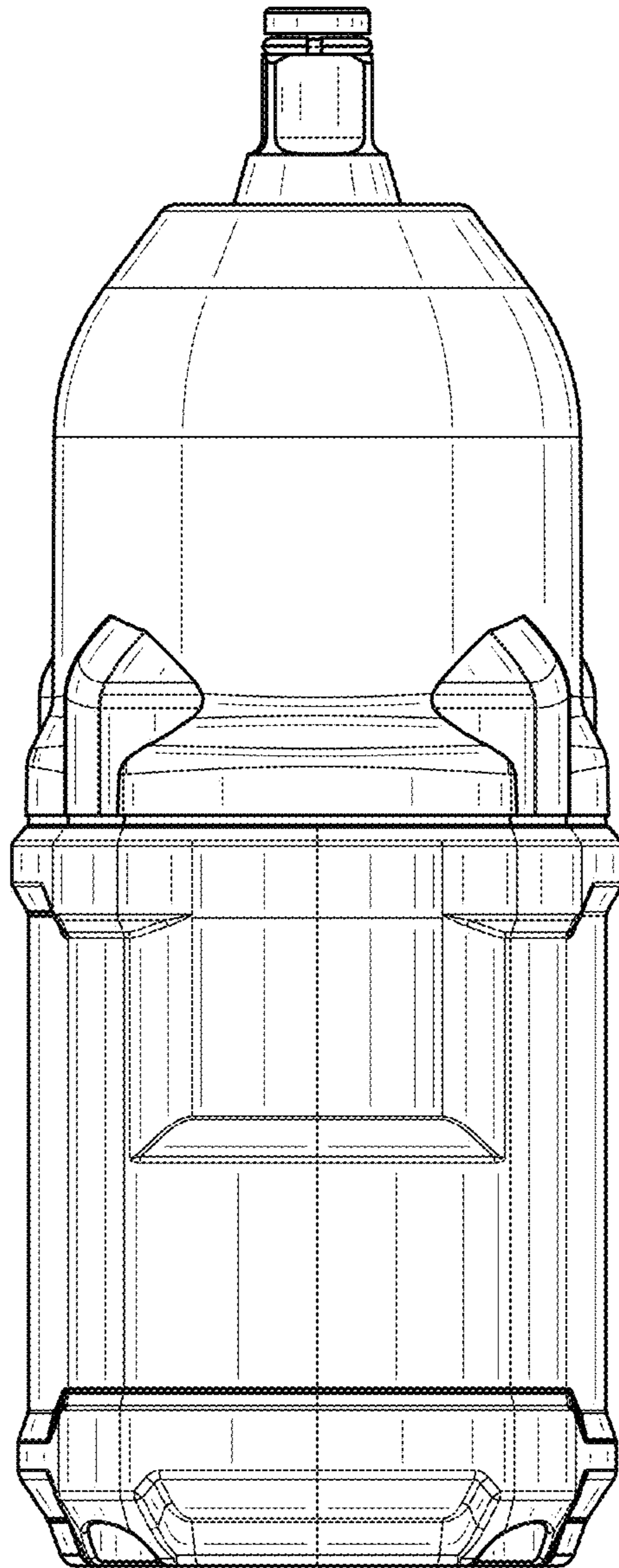


FIG. 6

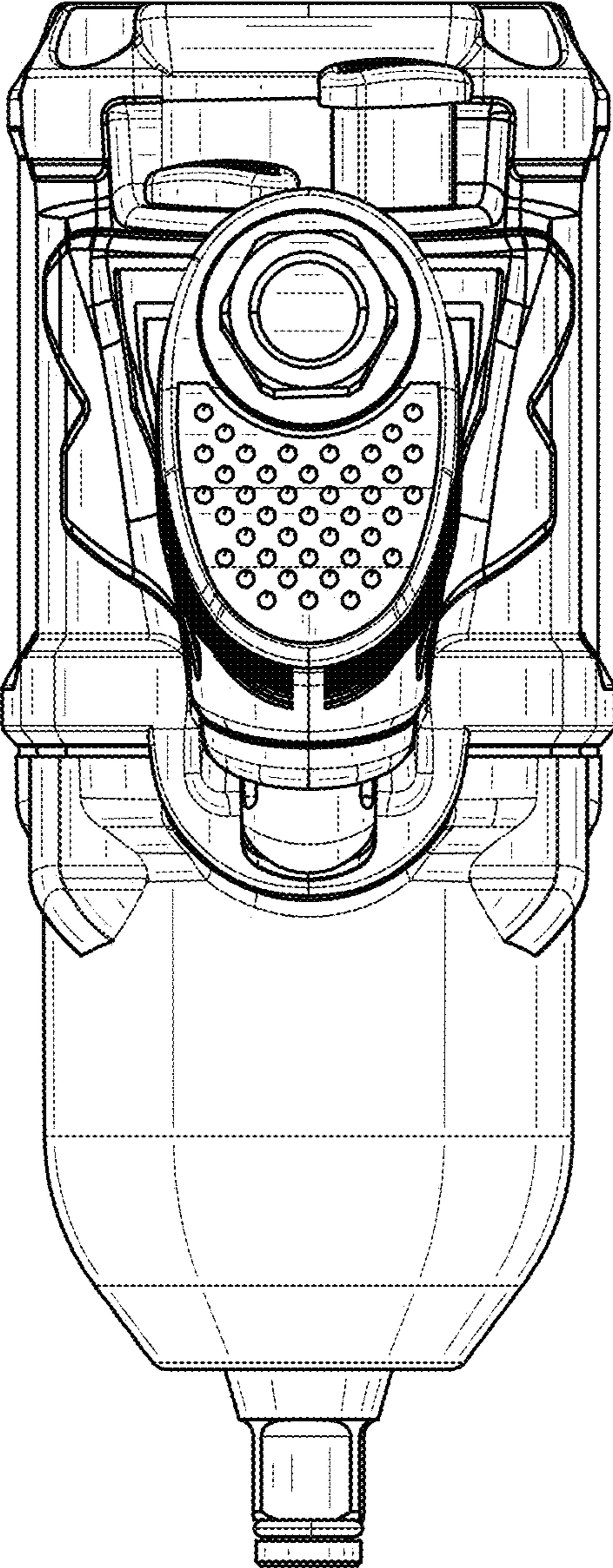


FIG. 7

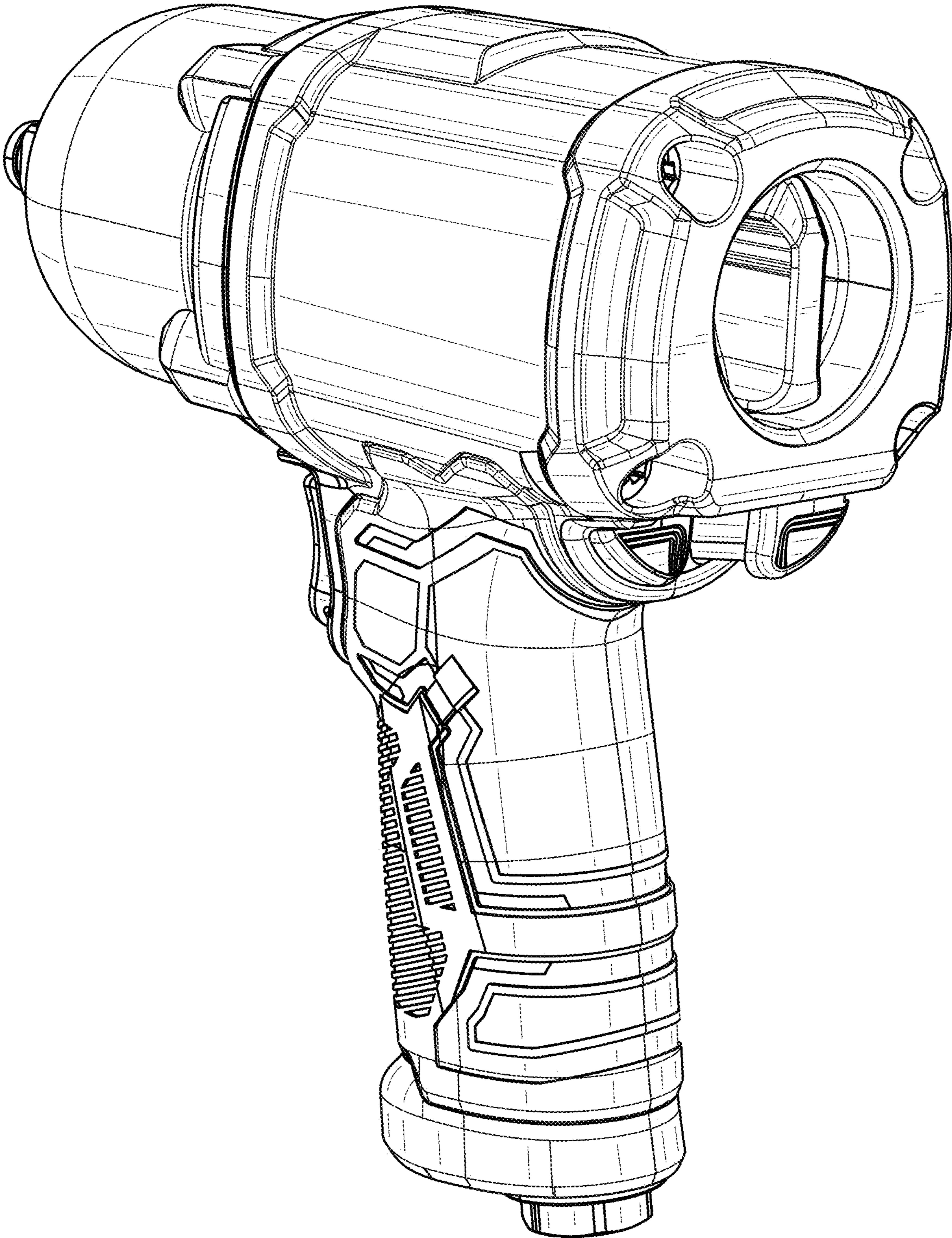


FIG. 8