



US00D899204S

(12) **United States Design Patent** (10) **Patent No.:** **US D899,204 S**
Solar (45) **Date of Patent:** **** Oct. 20, 2020**

(54) **SOCKET WITH A COLORED BAND**

- (71) Applicant: **IDEAL Industries, Inc.**, Sycamore, IL (US)
- (72) Inventor: **Brenton Solar**, Genoa, IL (US)
- (73) Assignee: **IDEAL Industries, Inc.**, Sycamore, IL (US)
- (**) Term: **15 Years**
- (21) Appl. No.: **29/669,035**
- (22) Filed: **Nov. 5, 2018**

Related U.S. Application Data

- (62) Division of application No. 29/604,903, filed on May 22, 2017, now Pat. No. Des. 849,492.
- (51) **LOC (12) Cl.** **08-05**
- (52) **U.S. Cl.**
USPC **D8/29**
- (58) **Field of Classification Search**
USPC D8/333-336, 339, 324, 649, 104, 105,
D8/35, 16, 17, 24, 343, 330-332, 21, 82,
(Continued)

(56) **References Cited**

U.S. PATENT DOCUMENTS

- 4,189,815 A * 2/1980 Seelenbinder G03D 7/00
226/193
- 4,765,211 A * 8/1988 Colvin B25B 13/065
411/403

(Continued)

FOREIGN PATENT DOCUMENTS

- CN 300726732 * 2/2007
- CN 305295356 * 8/2019

(Continued)

OTHER PUBLICATIONS

Sunex Tools, Sunex 224XD, 1/2 Inch Drive, 3/4 Inch Extra Long Deep, Date first available Jul. 16, 2009, [online]retrieved Mar. 18, 2020, available from internet, www.amazon.com (Year: 2009).*

(Continued)

Primary Examiner — Keli L Hill

Assistant Examiner — Sara S Sahneh

(74) *Attorney, Agent, or Firm* — Greenberg Traurig, LLP

(57) **CLAIM**

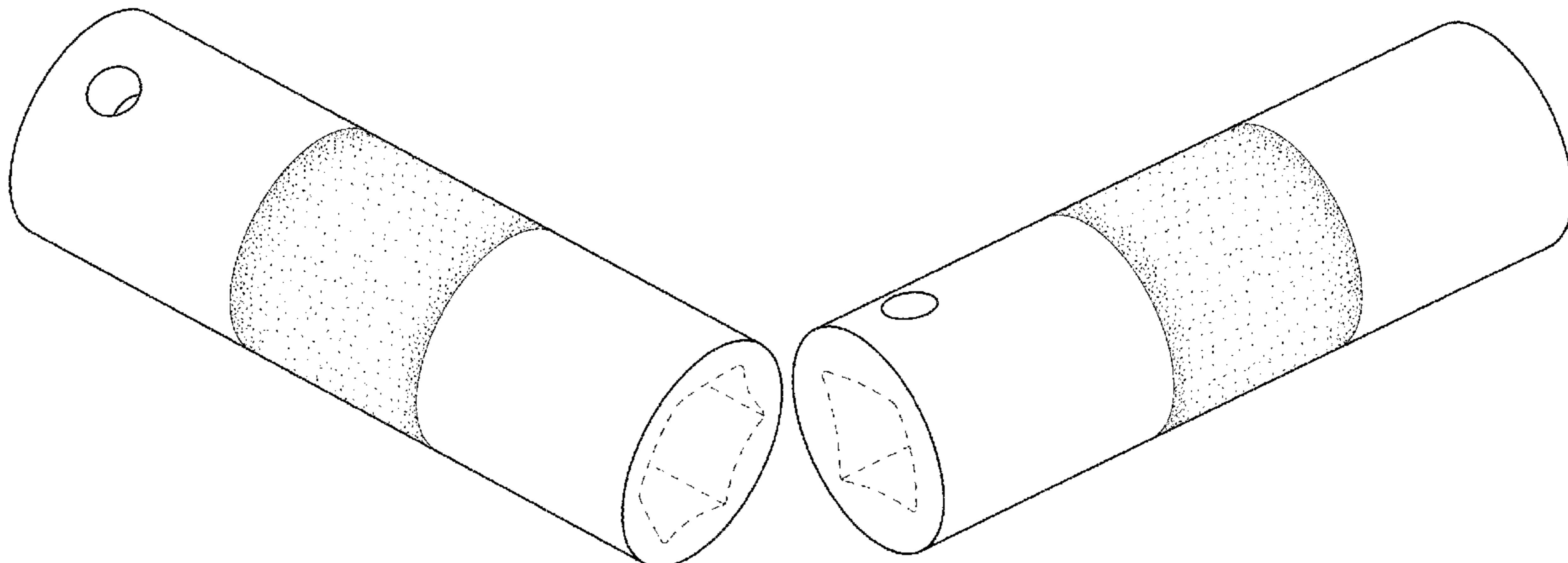
The ornamental design for a socket with a colored band, as shown and described.

DESCRIPTION

FIG. 1 is a perspective view of a socket with a colored band showing my new design;
 FIG. 2 is another perspective view of the socket of FIG. 1;
 FIG. 3 is a top plan view of the socket of FIG. 1;
 FIG. 4 is a bottom plan view of the socket of FIG. 1;
 FIG. 5 is a right side elevational view of the socket of FIG. 1;
 FIG. 6 is a left side elevational view of the socket of FIG. 1;
 FIG. 7 is a front side elevational view of the socket of FIG. 1; and,
 FIG. 8 is a rear side elevational view of the socket of FIG. 1.

The broken lines depict portions of the socket that form no part of the claimed design. The stippling shown in the drawings figures illustrate a color where the stippled portion and the remaining non-stippled portions are a different color.

1 Claim, 3 Drawing Sheets



(58) **Field of Classification Search**

USPC D8/14, 85, 25–29, 22, 23, 346, 18, 81,
 D8/107, 61; D24/148, 135, 147;
 81/121.1, 124.4, 60, 186, 63.1, 119, 489,
 81/177.1, 177.2, 177.85, 177.8, 58.1, 471
 CPC B25B 13/06; B25B 13/56; B25B 23/14;
 B25B 23/108; B25B 23/10; B25B 23/00;
 B25B 5813/02; B25B 13/08; B25B 13/46;
 B25B 13/00; B23B 13/065; B23B 13/04;
 B23B 13/463; Y10T 29/49986; G09F
 3/00; B25G 1/06

See application file for complete search history.

D628,868	S	*	12/2010	Laurie	D8/29
D649,417	S	*	11/2011	Gresham	D8/29
RE43,408	E	*	5/2012	Dexter	D8/29
8,215,187	B2	*	7/2012	Chen	B25B 23/1425 73/862.21
D675,496	S		2/2013	Chang		
D718,105	S		11/2014	Tsai		
8,984,992	B2	*	3/2015	Newkirk	B25B 13/06 81/125
D772,030	S	*	11/2016	Andersen	D8/29
D776,504	S		1/2017	Lee		
D855,425	S	*	8/2019	Hogue	D8/29
2008/0022505	A1	*	1/2008	Vogel	F16B 37/00 29/525.02
2008/0301928	A1	*	12/2008	Hu	B21K 5/16 29/592

(56) **References Cited**

U.S. PATENT DOCUMENTS

4,860,618	A	*	8/1989	Givot	B25B 13/461 81/121.1
4,947,713	A	*	8/1990	Arnold	B25B 13/06 81/121.1
D319,562	S	*	9/1991	Ballard	D8/29
D442,837	S	*	5/2001	Porras	D8/29
6,477,759	B2	*	11/2002	Hu	B25G 1/105 29/527.2
D500,944	S	*	1/2005	Dexter	D8/29
D501,768	S	*	2/2005	Dexter	D8/29
7,448,121	B1	*	11/2008	Hung	C25D 5/022 204/194
D588,886	S		3/2009	Davis		
D592,922	S	*	5/2009	Davidson	D8/29

FOREIGN PATENT DOCUMENTS

JP	D1353544	*	2/2008
JP	D1497436	*	4/2012

OTHER PUBLICATIONS

Tekton, Tekton 4930 ½-Inch Drive by 30 mm Deep Impact Socket, Date first available Feb. 24, 2007 [online]retrieved Mar. 18, 2020, available from internet, www.amazon.com (Year: 2007).*

CTA Tools, CTA Tools 4222 Lug Nut Flip Socket, Date first available Mar. 18, 2016, [online]retrieved Mar. 18, 2020, available from internet, www.amazon.com (Year: 2016).*

* cited by examiner

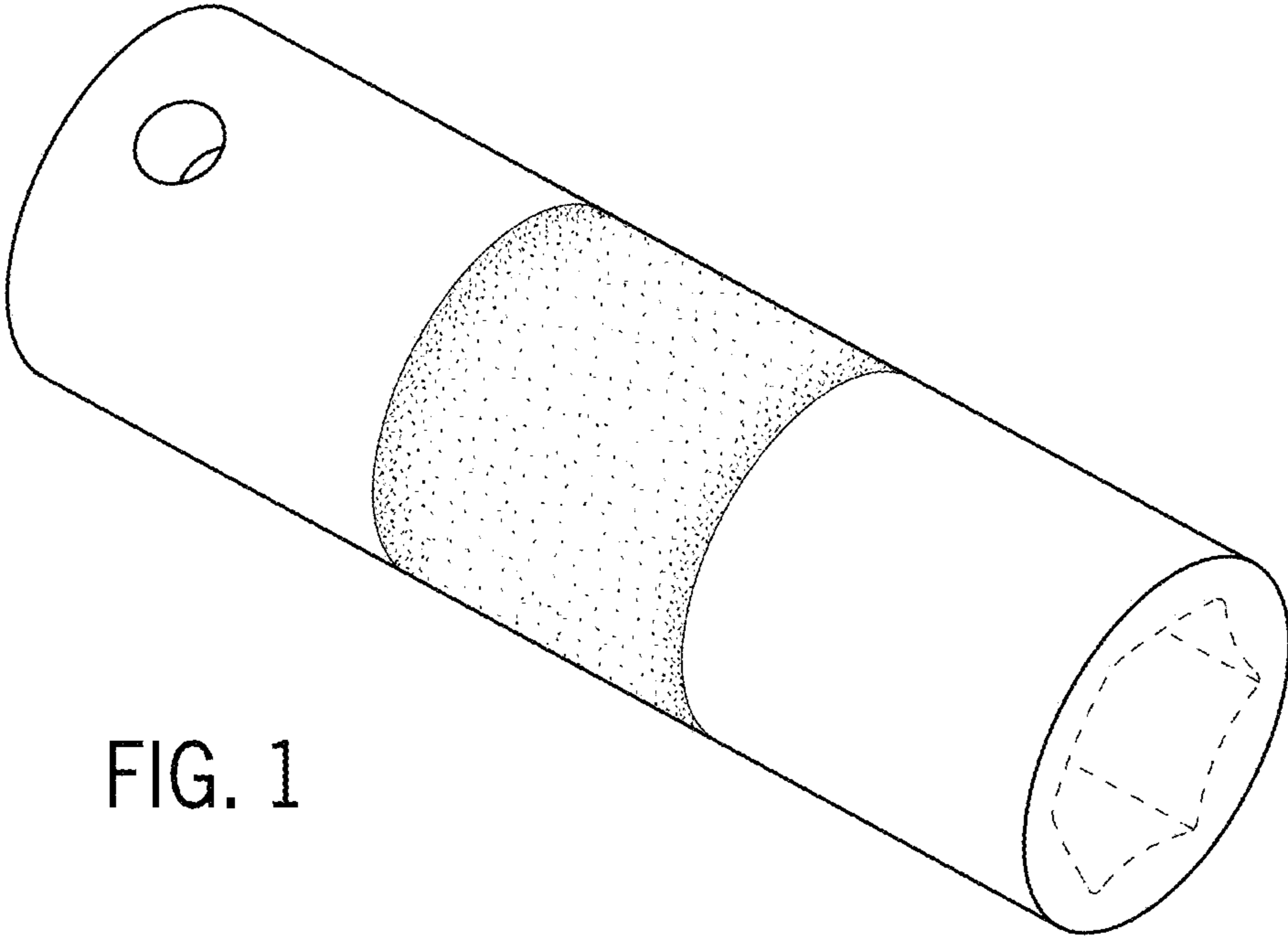


FIG. 1

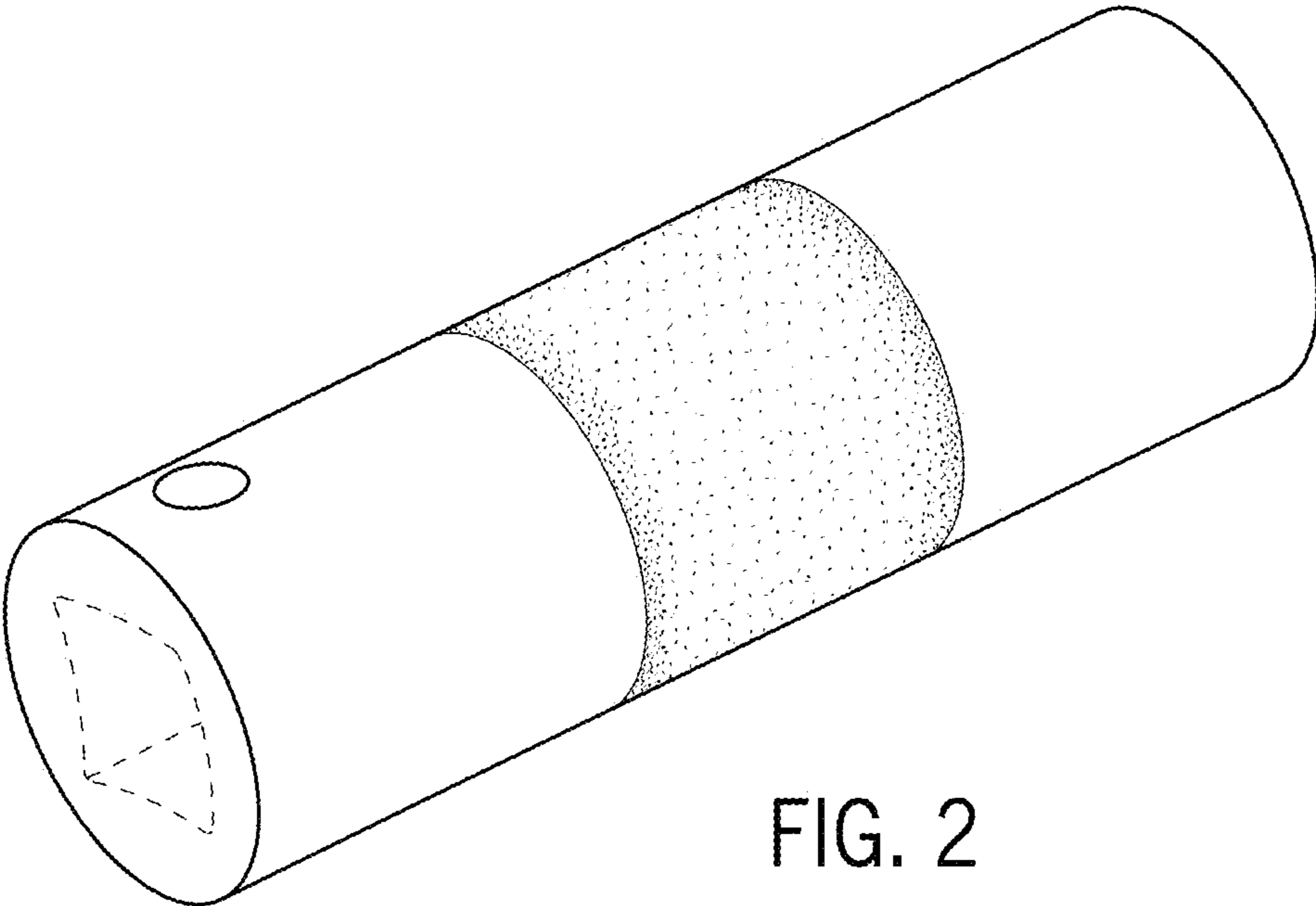


FIG. 2

FIG. 3

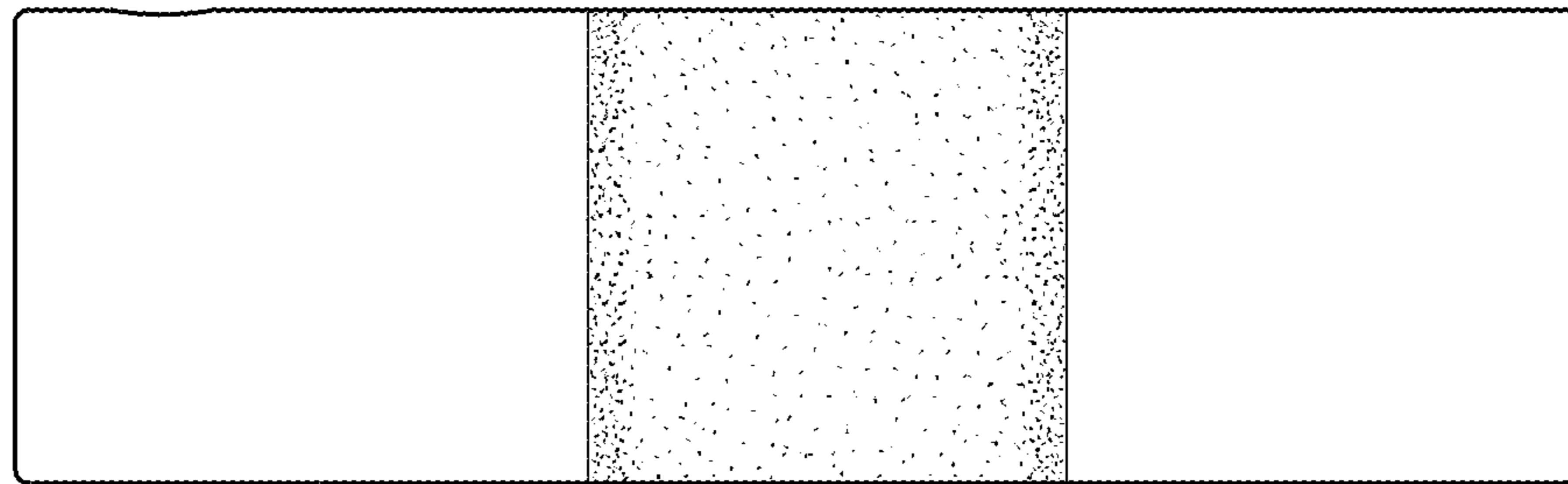


FIG. 4

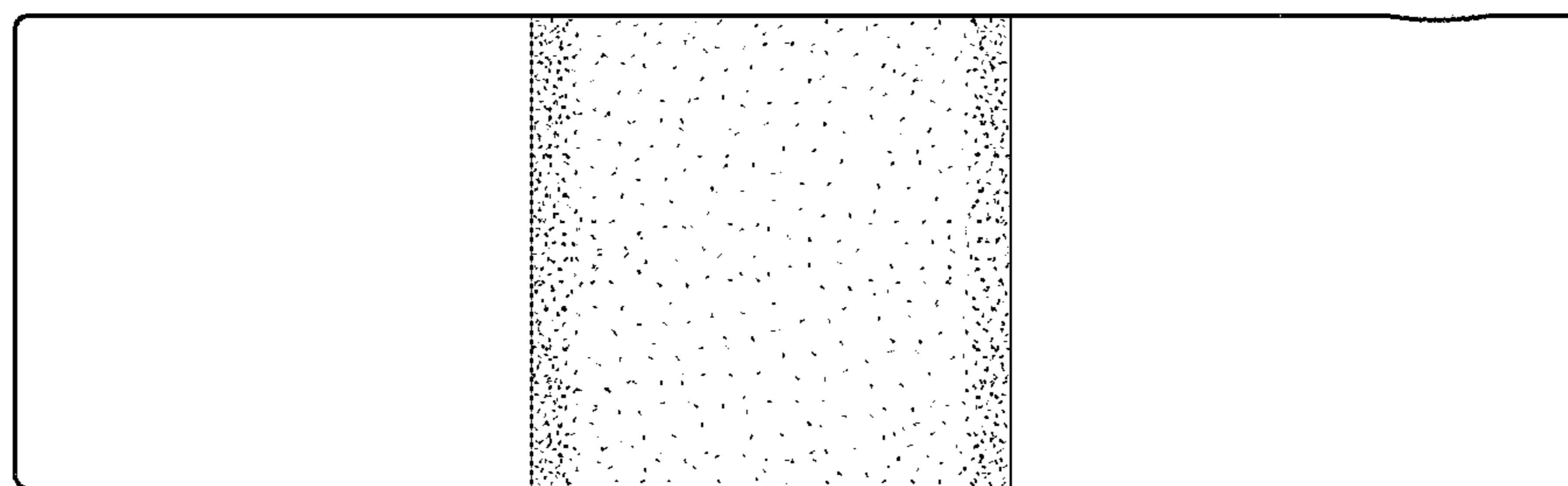


FIG. 5

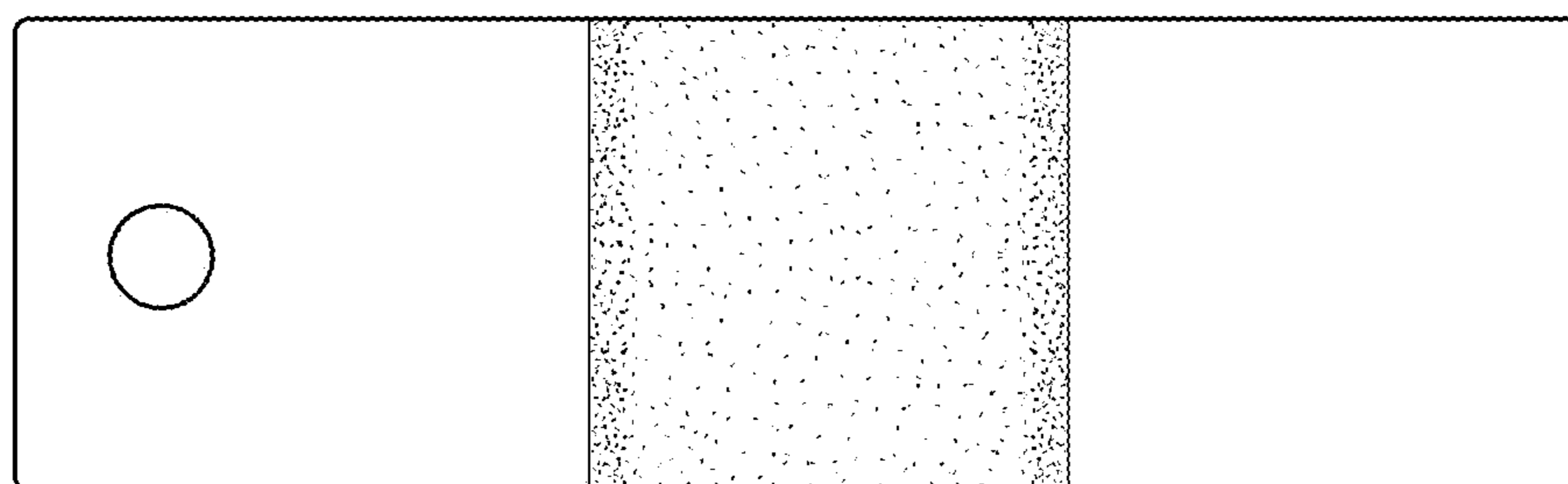
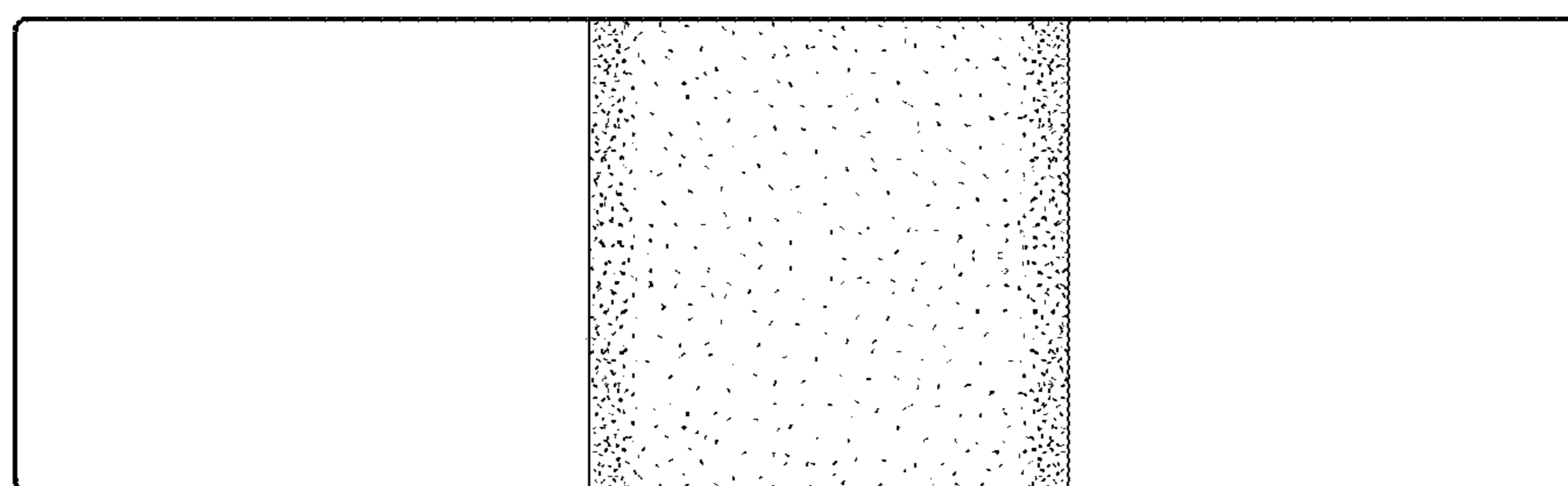


FIG. 6



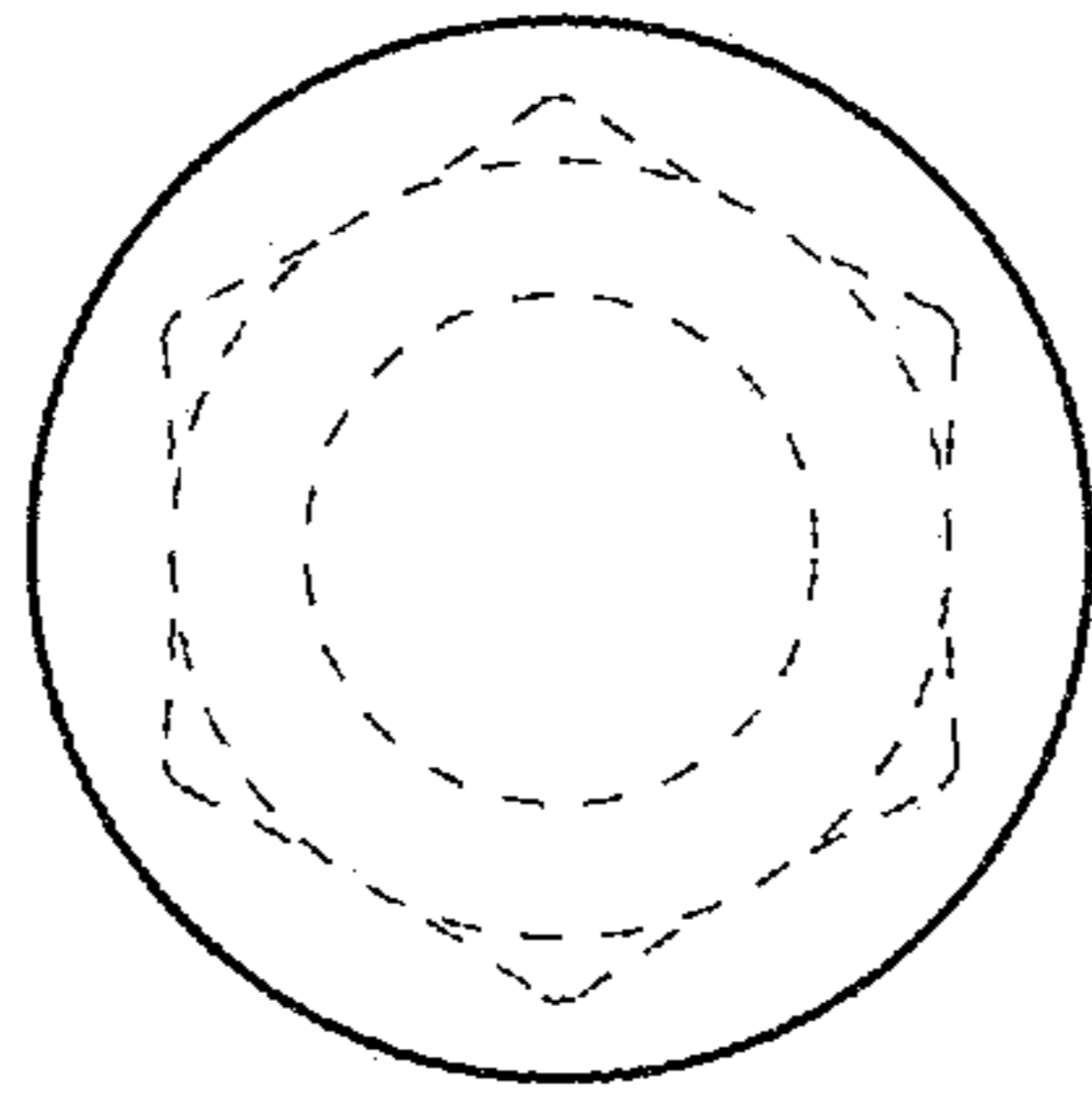


FIG. 7

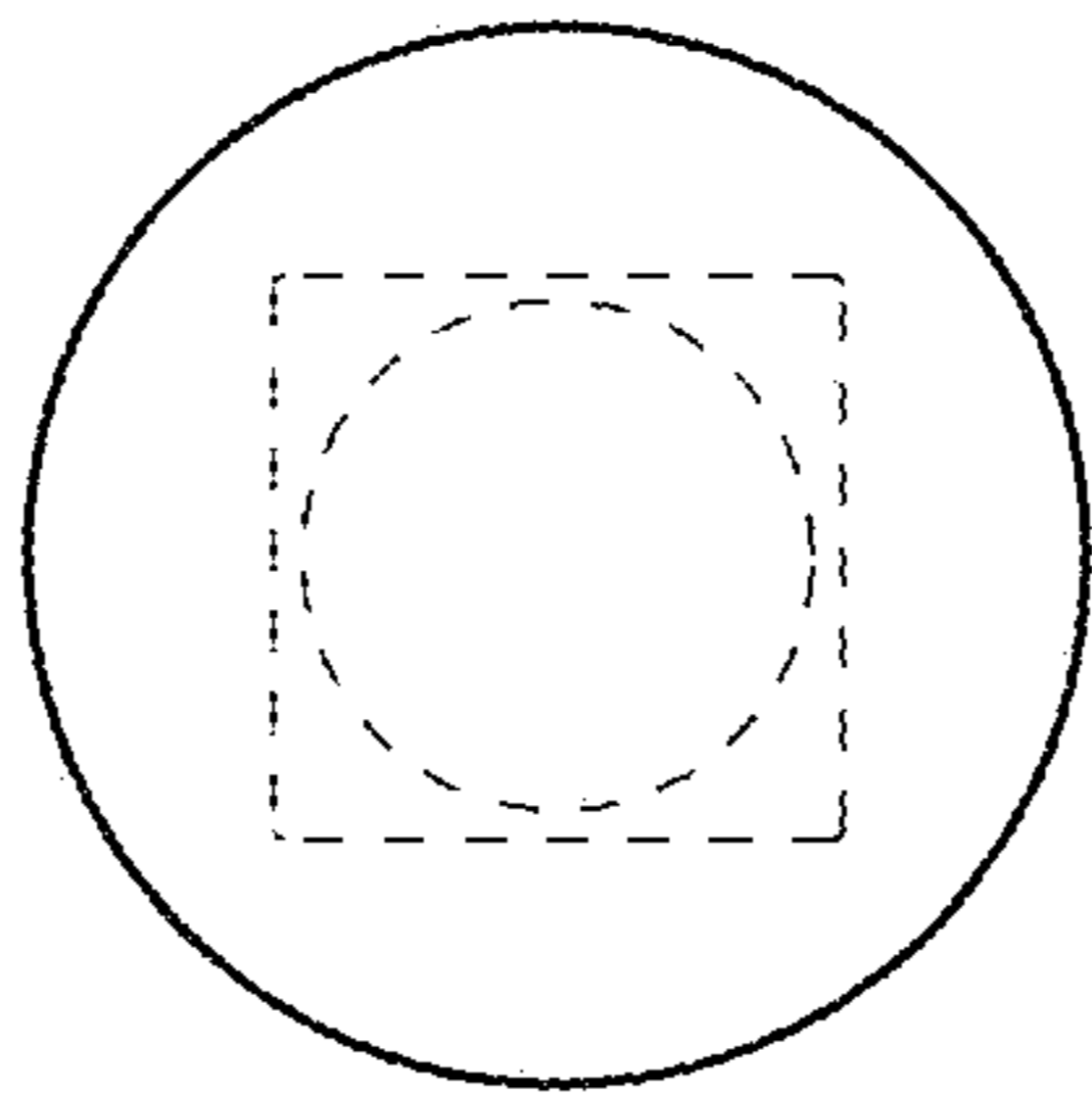


FIG. 8