



US00D899203S

(12) **United States Design Patent** (10) **Patent No.:** **US D899,203 S**
Bingham (45) **Date of Patent:** **** Oct. 20, 2020**

(54) **RATCHET WRENCH**

(71) Applicant: **Mark Bingham**, Maple Grove, MN (US)

(72) Inventor: **Mark Bingham**, Maple Grove, MN (US)

(**) Term: **15 Years**

(21) Appl. No.: **29/706,280**

(22) Filed: **Sep. 19, 2019**

Related U.S. Application Data

(62) Division of application No. 16/508,802, filed on Jul. 11, 2019.

(51) **LOC (12) Cl.** **08-05**

(52) **U.S. Cl.**
USPC **D8/25**; D8/24

(58) **Field of Classification Search**
USPC D8/15-29, 29.1, 29.2, 30-32, 349, D8/382-386, 396-399, 70, 71, 70.1, D8/72-74, 471, 83, 104-107, 354, 361, D8/362, 360, 360.1, 363-372, 355-359; 81/487, 60, 186, 124, 4, 121.1, 63.1, 119, 81/489, 177.1, 177.2, 177.85, 177.8, 62
CPC . B25B 23/1427; B25B 23/0007; B25B 23/16; B25B 17/00; B25B 23/0028; B25B 23/0021; B25B 13/50; B25B 13/08; B25B 13/481; B25G 1/043; E06B 3/685
See application file for complete search history.

(56) **References Cited**

U.S. PATENT DOCUMENTS

- 7,587,961 B1 * 9/2009 Chiang B25B 13/463 81/60
- D613,568 S * 4/2010 Yu D8/25
- D665,239 S * 8/2012 Tillet D8/25
- D666,466 S * 9/2012 Gresham D8/25

- D722,847 S * 2/2015 Lin D8/25
- D729,024 S * 5/2015 Lin D8/25
- D753,970 S * 4/2016 Ou D8/22
- D755,594 S * 5/2016 Ou D8/22
- D876,198 S * 2/2020 Chen D8/80

(Continued)

FOREIGN PATENT DOCUMENTS

- CN 301921196 * 11/2011
- GB 2538744 * 5/2015 B25B 13/06

(Continued)

OTHER PUBLICATIONS

Dewalt, Ratchet, Quick Release, SAE, 3/8-Inch Drive (DWMT81097), Date first available Jun. 19, 2019, [online]retrieved Jun. 29, 2020, available from internet, www.amazon.com (Year: 2019).*

(Continued)

Primary Examiner — Keli L Hill
Assistant Examiner — Sara S Sahneh
(74) *Attorney, Agent, or Firm* — Dicke, Billig & Czaja PLLC

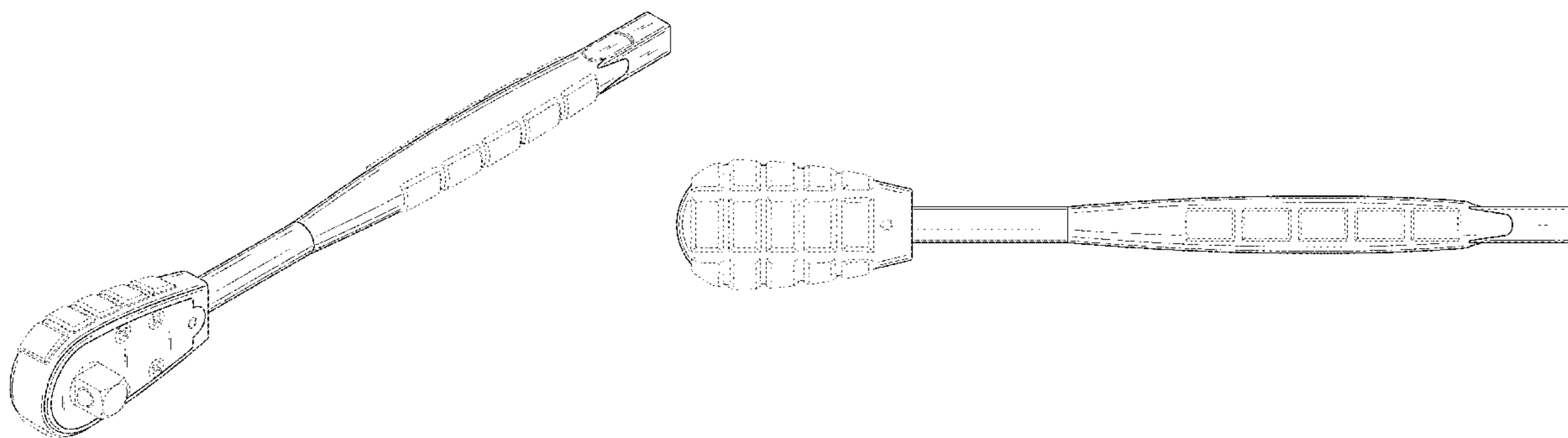
(57) **CLAIM**

The ornamental design for a ratchet wrench, as shown and described.

DESCRIPTION

FIG. 1 is a perspective view of the ratchet wrench.
FIG. 2 is a front elevation view thereof.
FIG. 3 is a rear elevation view thereof; and,
FIG. 4 is a left side view thereof, the right side view being a mirror image thereof.
The surface protrusions on the ratchet wrench head and handle, and the socket mounting stud and cover plate screws on the ratchet wrench head shown in broken lines form no part of the claimed design.

1 Claim, 4 Drawing Sheets



(56)

References Cited

U.S. PATENT DOCUMENTS

2008/0156151 A1* 7/2008 Chen B25G 1/043
81/177.2
2016/0214241 A1* 7/2016 Kao B25B 13/463
2020/0016727 A1* 1/2020 Bingham B25B 13/463

FOREIGN PATENT DOCUMENTS

SG U2002886I-0001 * 10/1997
WO D063388-001 * 4/2003

OTHER PUBLICATIONS

SATA , 3-Piece 1/4-Inch, 3/8-Inch and 1/2-Inch Drive 120P Professional Ratchet Set with On/Off Switch, Date first available Jun. 3, 2019, [online]retrieved Jun. 29, 2020, available from internet, www.amazon.com (Year: 2019).*

Gearwrench, 1/2" Drive 84 Tooth Long Handle Dual Material Teardrop Ratchet, Date first available Jul. 22, 2013, [online] retrieved Jun. 29, 2020, available from internet, www.amazon.com (Year: 2013).*

Williams, S-52EHLA Long Enclosed Head, Date first available Mar. 26, 2014, [online]retrieved Jun. 29, 2020, available from internet, www.amazon.com (Year: 2014).*

* cited by examiner

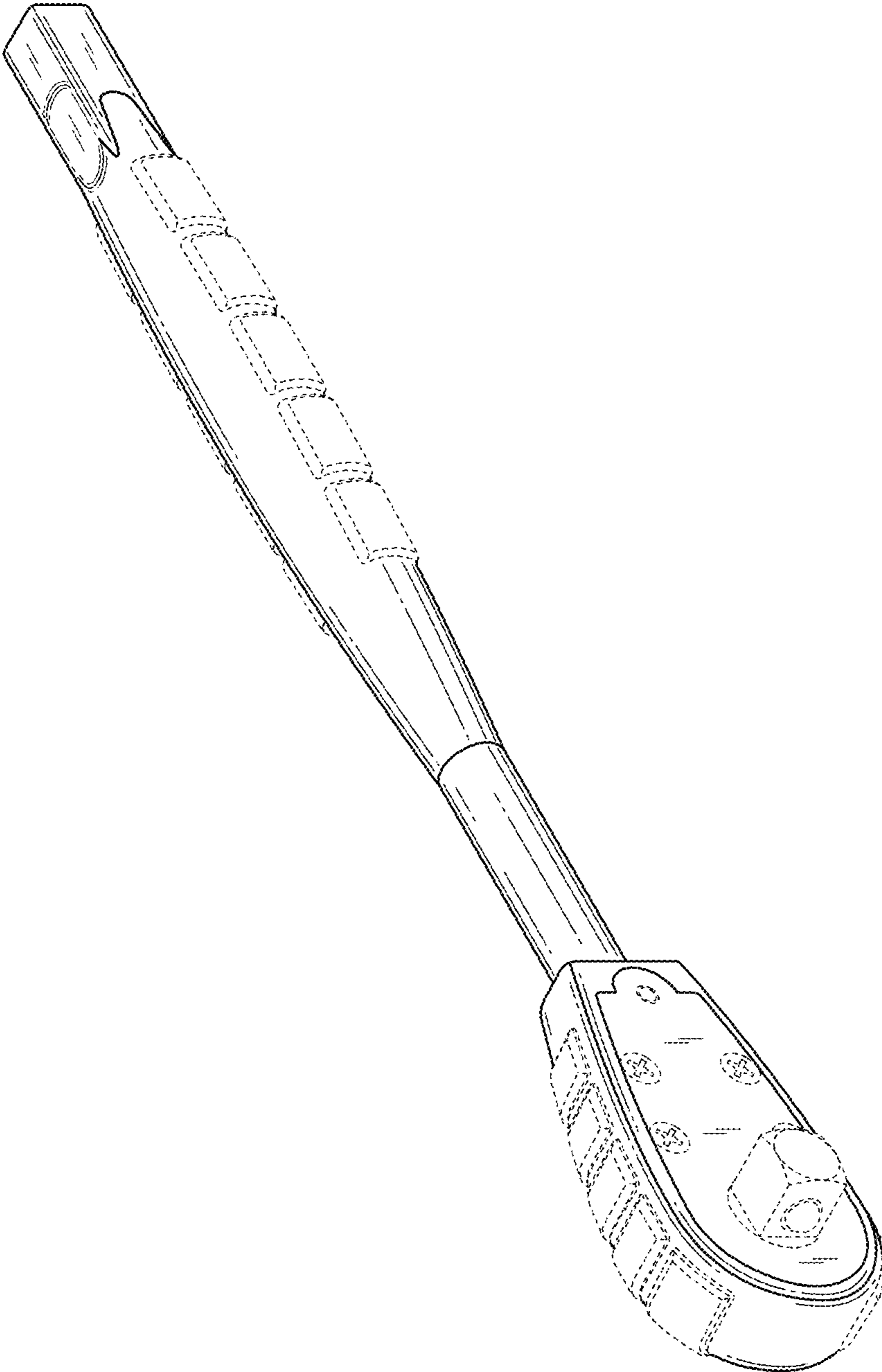


FIG. 1

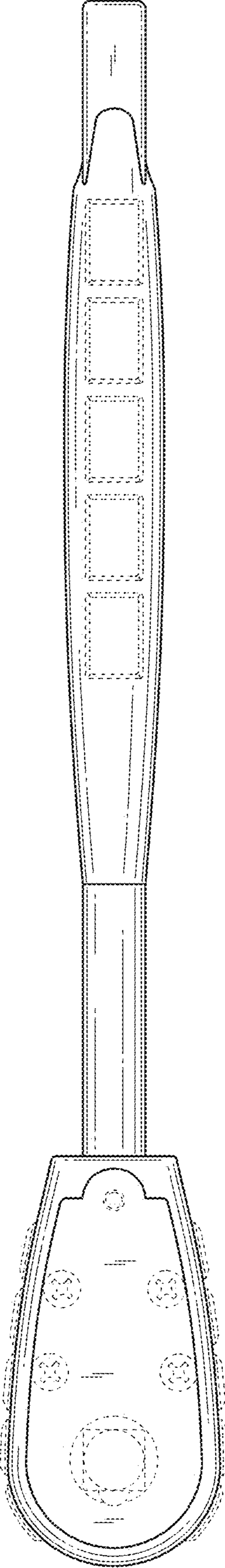


FIG. 2

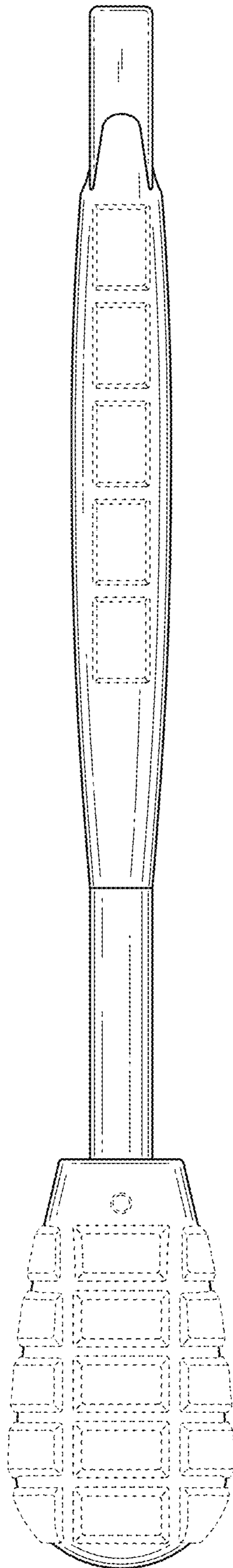


FIG. 3

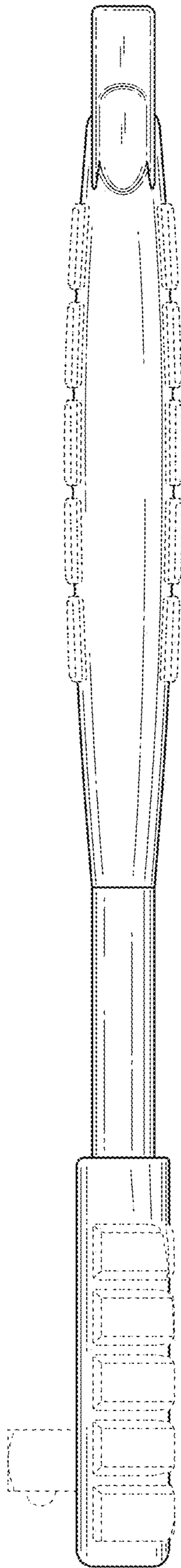


FIG. 4