

US00D899202S

(12) **United States Design Patent** (10) **Patent No.:** **US D899,202 S**
Sato (45) **Date of Patent:** **** Oct. 20, 2020**

(54) **SCRAPER FOR REMOVING FISH ENTRAILS**

D162,924 S * 4/1951 Becherer 30/279.2
D198,075 S * 4/1964 Davis 452/105
D222,208 S * 10/1971 Riddington D7/693
3,667,086 A * 6/1972 Sexton A22C 25/02
452/105

(71) Applicant: **NIKKO CO., LTD.**, Hokkaido (JP)

(72) Inventor: **Kazuo Sato**, Kushiro (JP)

(73) Assignee: **Nikko Co., Ltd.**, Hokkaido (JP)

(**) Term: **15 Years**

(21) Appl. No.: **35/504,832**

(22) Filed: **Nov. 7, 2017**

(80) **Hague Agreement Data**

Int. Filing Date: **Nov. 7, 2017**

Int. Reg. No.: **DM/100703**

Int. Reg. Date: **Nov. 7, 2017**

Int. Reg. Pub. Date: **May 4, 2018**

(30) **Foreign Application Priority Data**

May 16, 2017 (JP) 2017-011906

(51) **LOC (12) Cl.** **07-04**

(52) **U.S. Cl.**
USPC **D7/693**

(58) **Field of Classification Search**

USPC D7/693, 369, 688

CPC A22B 5/16; A22B 5/0017; A22B 5/0047;
A22B 5/0023; A22C 25/14

See application file for complete search history.

(56) **References Cited**

U.S. PATENT DOCUMENTS

D26,726 S * 3/1897 Robarts D7/688
1,380,247 A * 5/1921 Price A47G 21/06
30/142
2,279,139 A * 4/1942 Johnson A22C 25/025
452/103
2,435,351 A * 2/1948 Hay A22C 25/025
452/103

(Continued)

Primary Examiner — Jennifer L Rempfer

(74) *Attorney, Agent, or Firm* — Osha Liang LLP

(57) **CLAIM**

The ornamental design for a scraper for removing fish entrails, as shown and described.

DESCRIPTION

1.1 shows a front view of a scraper for removing fish entrails;

1.2 shows a back view of a scraper for removing fish entrails;

1.3 shows a right view of a scraper for removing fish entrails;

1.4 shows a left view of a scraper for removing fish entrails;

1.5 shows a top view of a scraper for removing fish entrails;

1.6 shows a bottom view of a scraper for removing fish entrails;

1.7 shows a perspective view of a scraper for removing fish entrails;

1.8 shows a perspective view of a scraper for removing fish entrails;

1.9 shows a left view of a scraper for removing fish entrails in an environment of use;

1.10 shows an end view of a scraper for removing fish entrails in an environment of use;

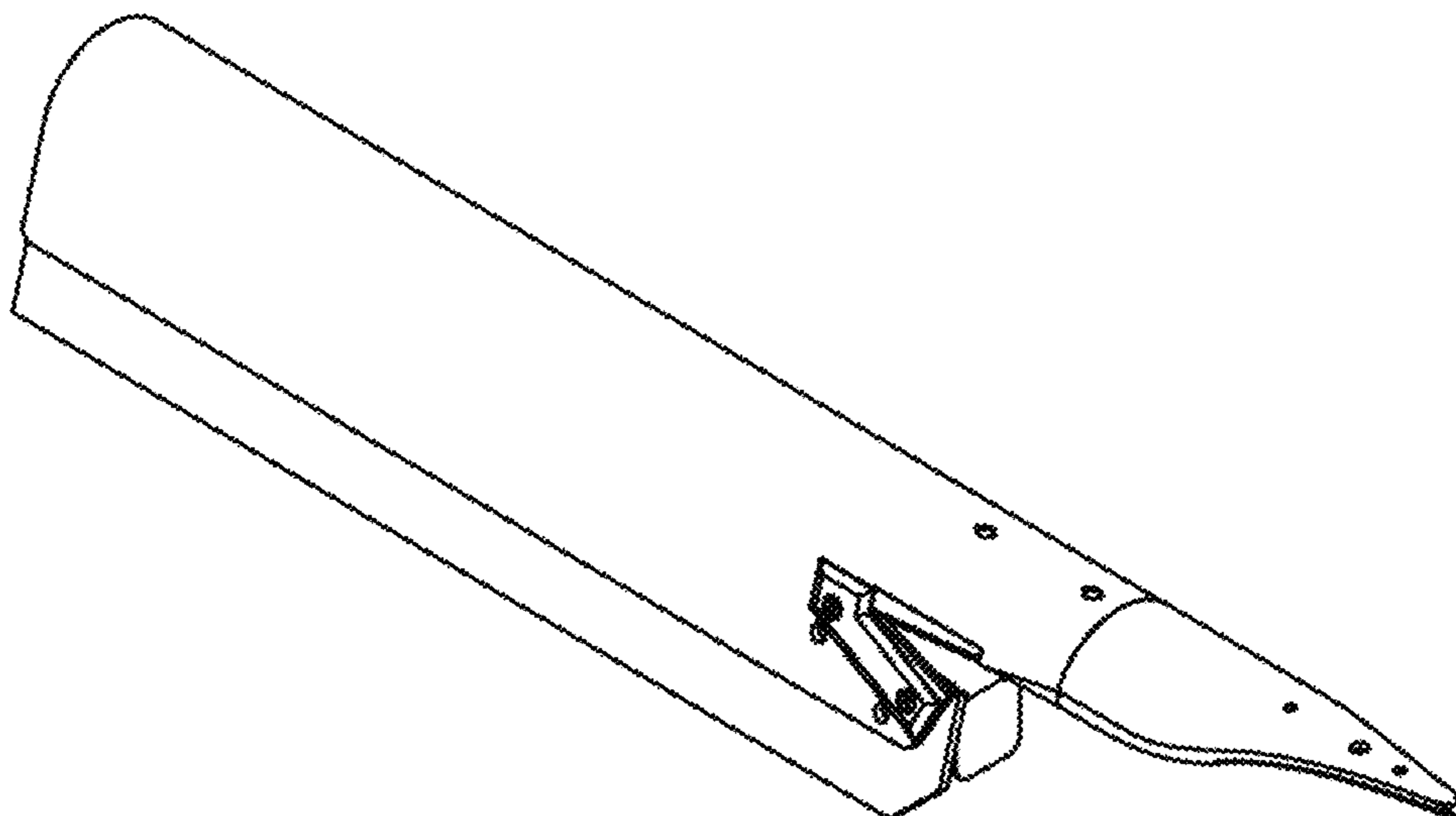
1.11 shows another end view of a scraper for removing fish entrails in an environment of use;

1.12 shows another end view of a scraper for removing fish entrails in an environment of use; and

1.13 shows another end view of a scraper for removing fish entrails in an environment of use.

The elements shown in broken lines are for illustrative purposes only and form no part of the claimed invention.

1 Claim, 13 Drawing Sheets



(56)

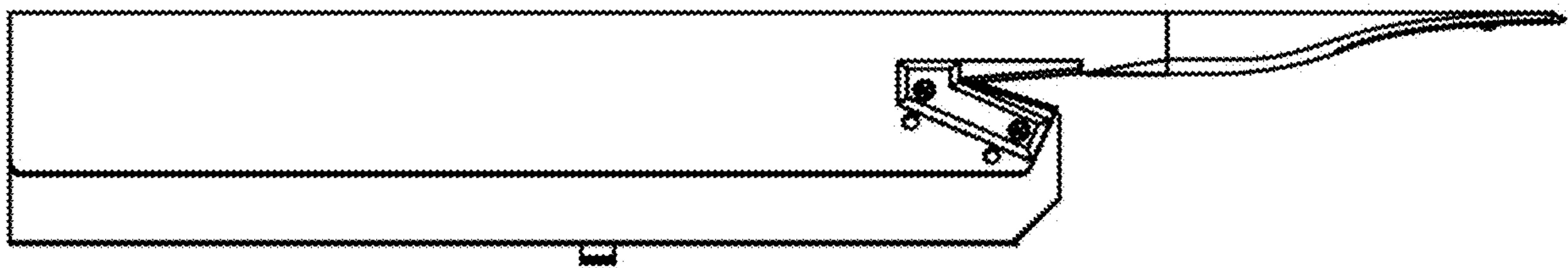
References Cited

U.S. PATENT DOCUMENTS

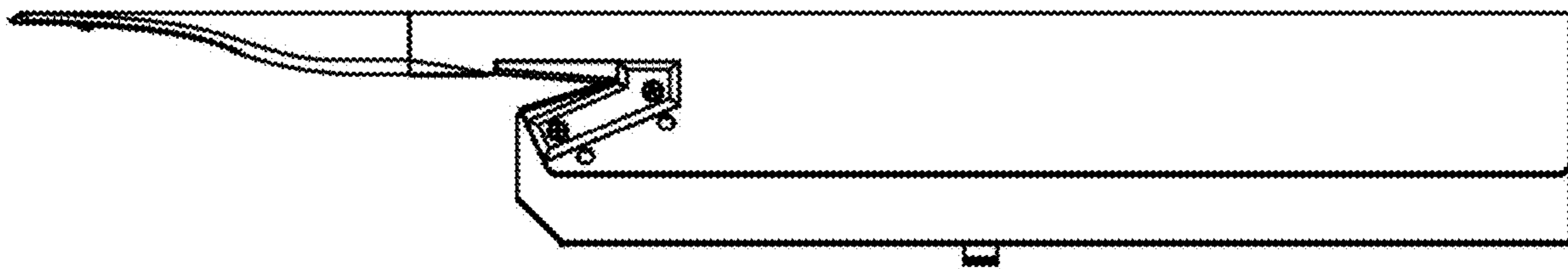
D243,383 S * 2/1977 Ploszaj D7/300.2
D261,217 S * 10/1981 Mutch D32/49
4,615,079 A * 10/1986 Chartrand A22C 25/02
452/105
D293,072 S * 12/1987 Cook D7/688
D363,861 S * 11/1995 Slater D7/688
D386,362 S * 11/1997 LaSalle D7/693
7,125,329 B2 * 10/2006 Mindes A22C 29/024
452/3
D548,024 S * 8/2007 Trinqu D7/693
D573,854 S * 7/2008 Dunne D7/693
8,152,606 B2 * 4/2012 Jamison A22B 5/168
452/125
D691,862 S * 10/2013 Schoeman D7/683
D749,919 S * 2/2016 Cianciolo D7/688

* cited by examiner

1.1



1.2



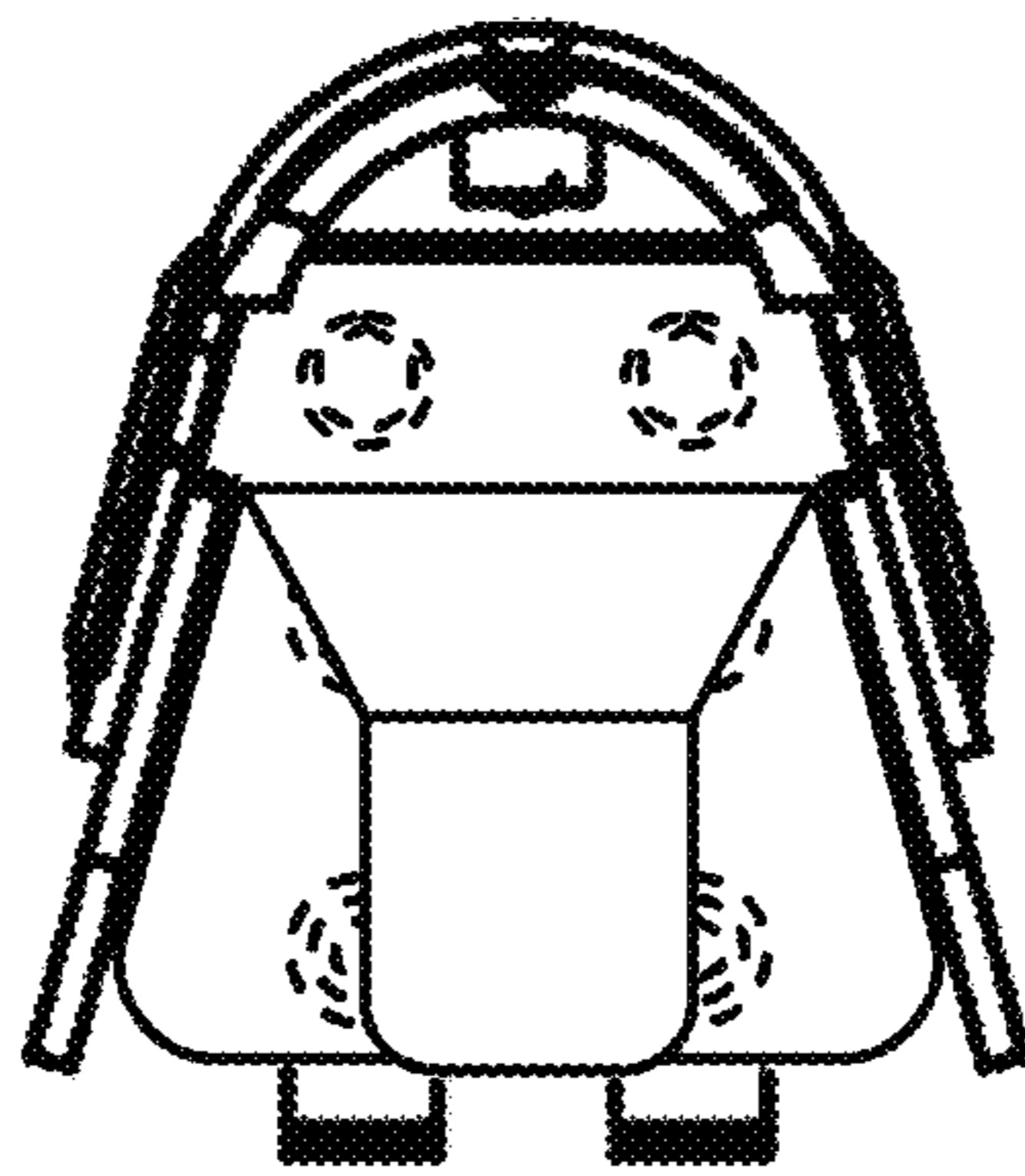


FIG. 1.3

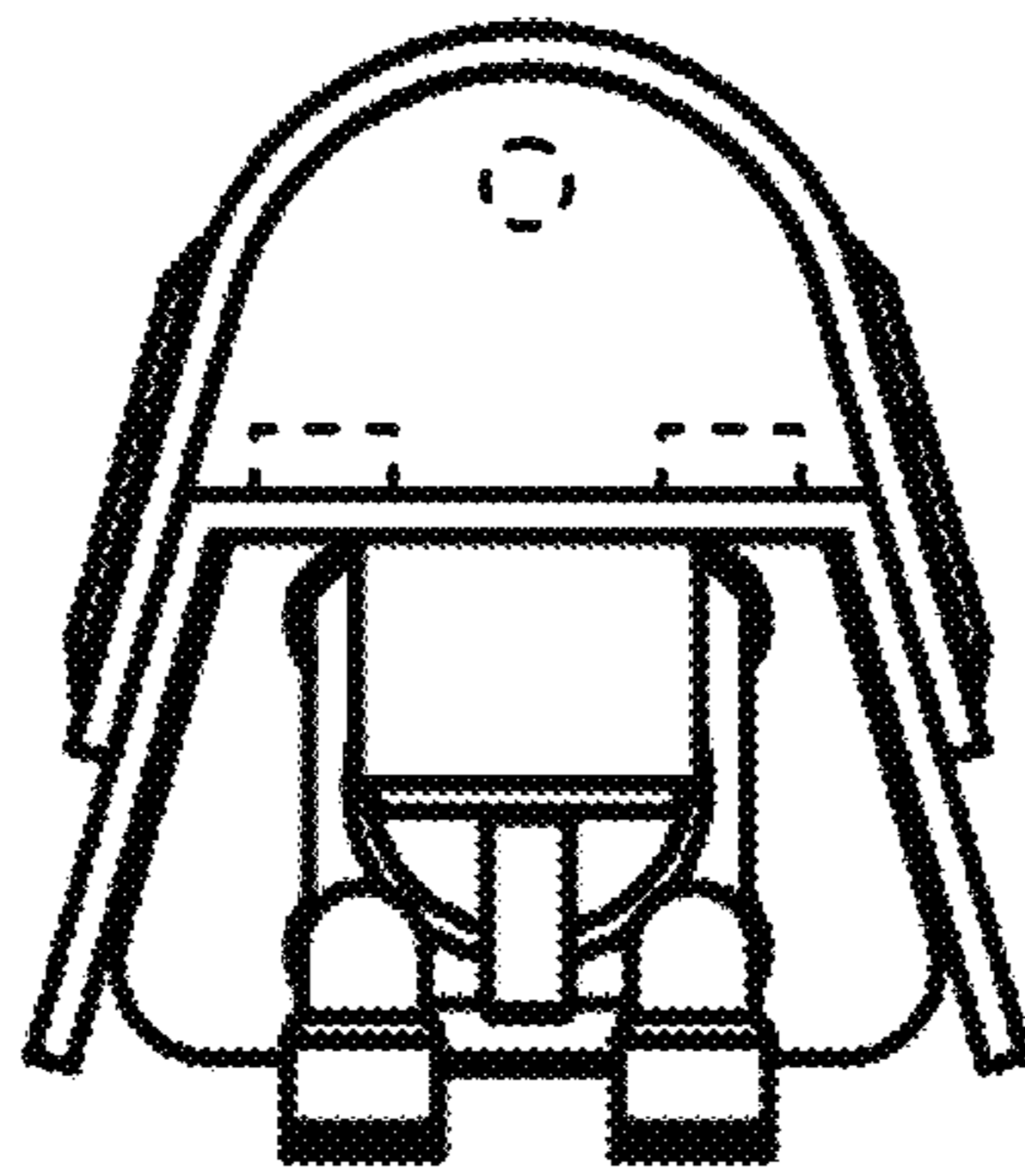
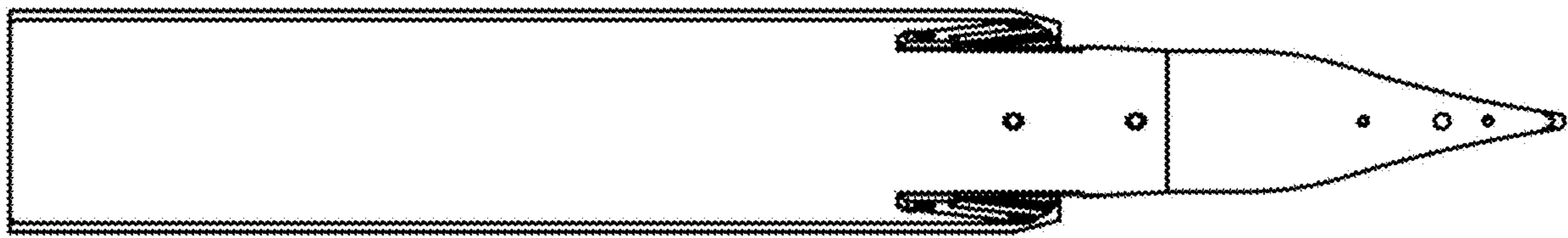


FIG. 1.4

1.5



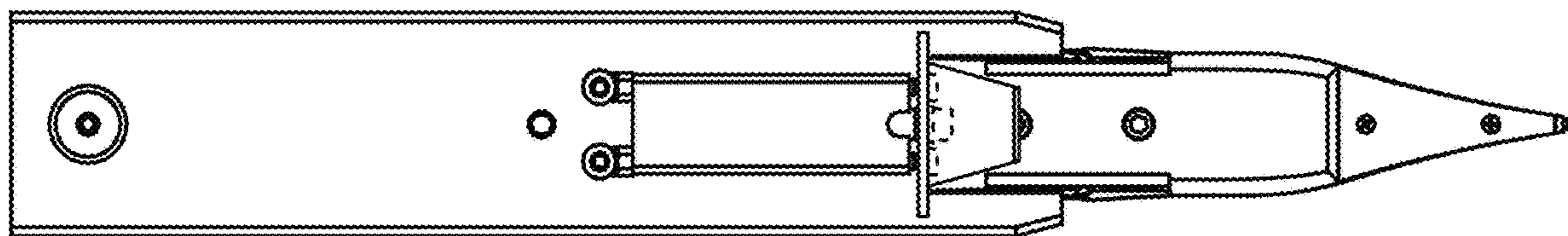
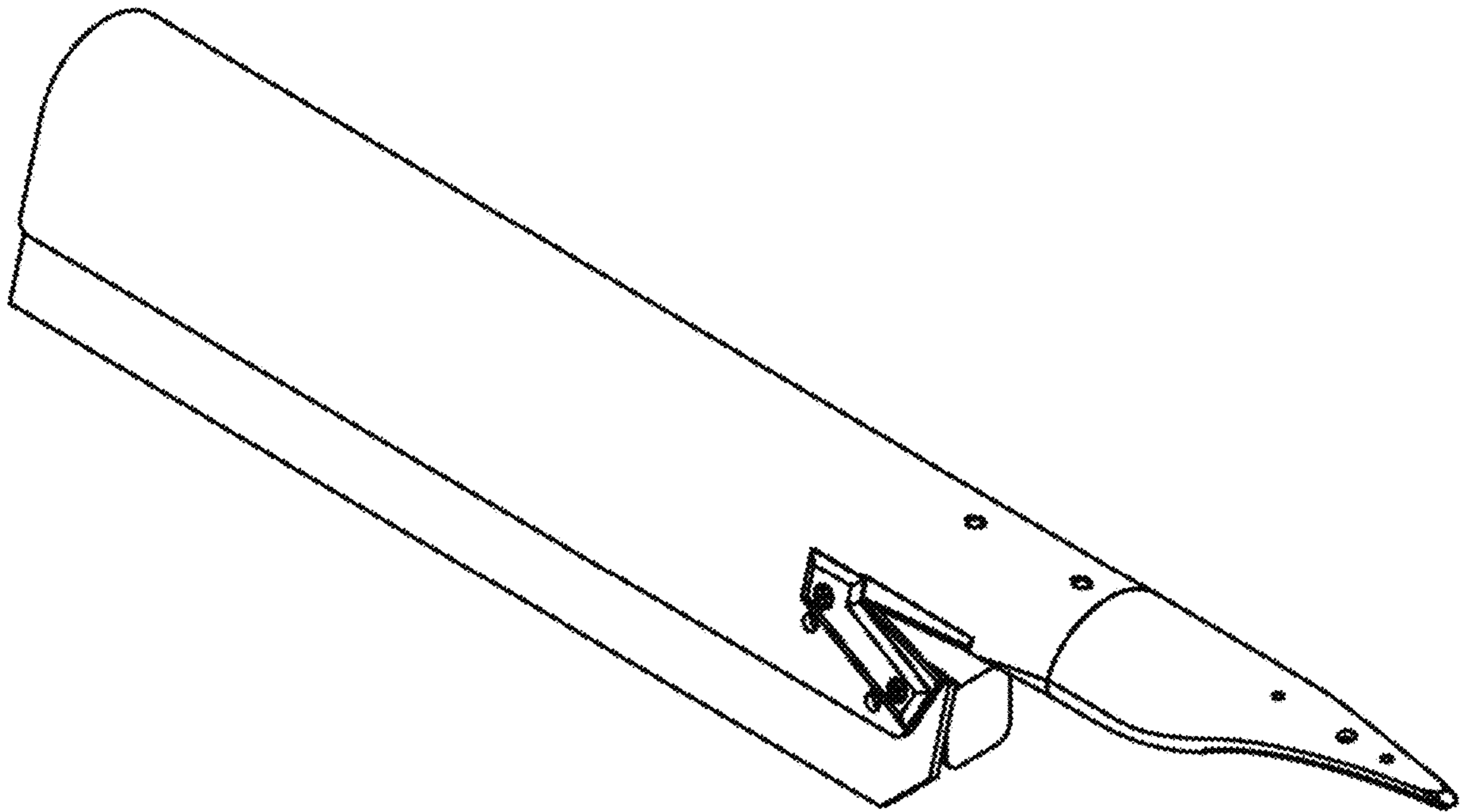


FIG. 1.6

1.7



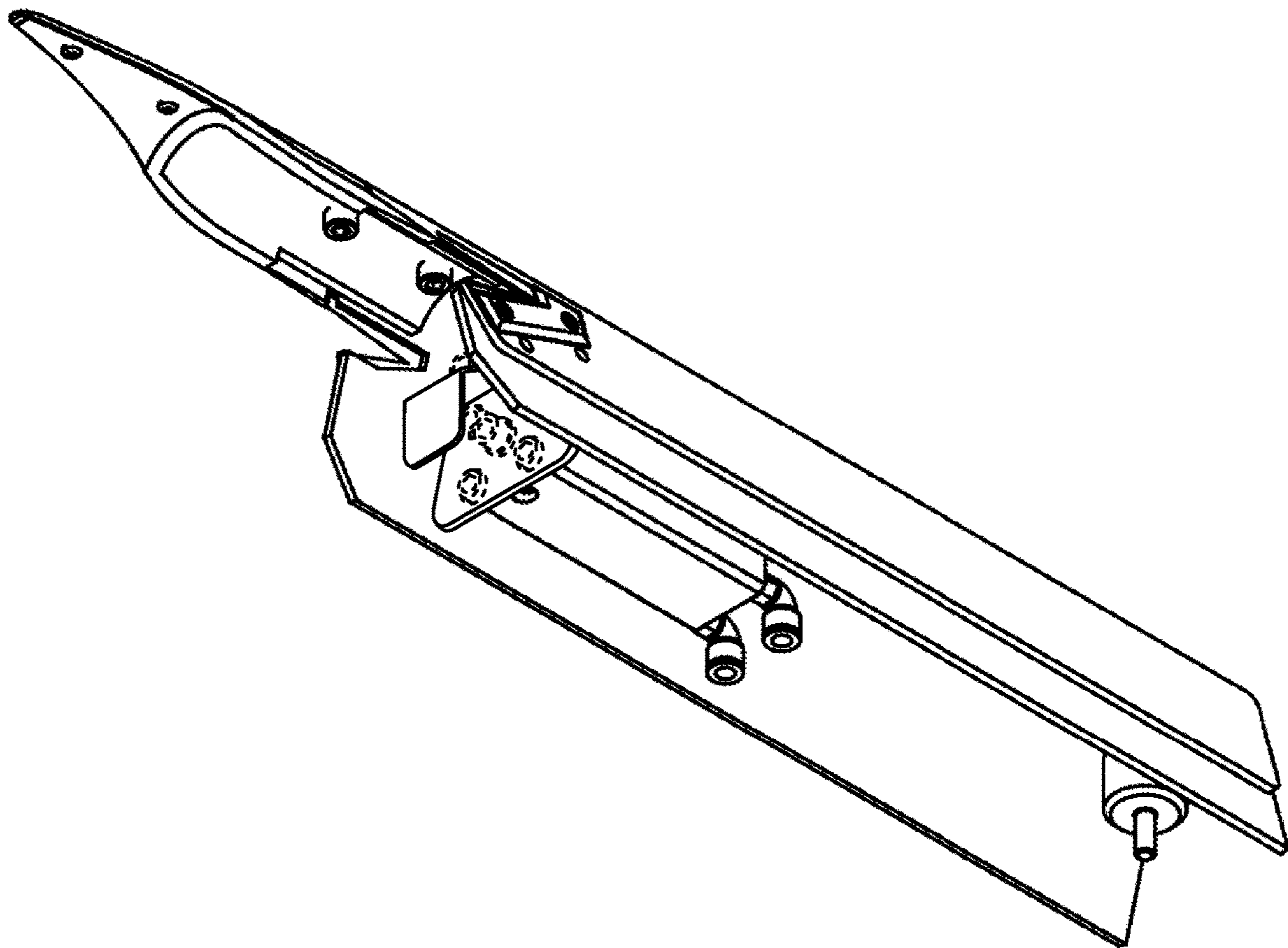
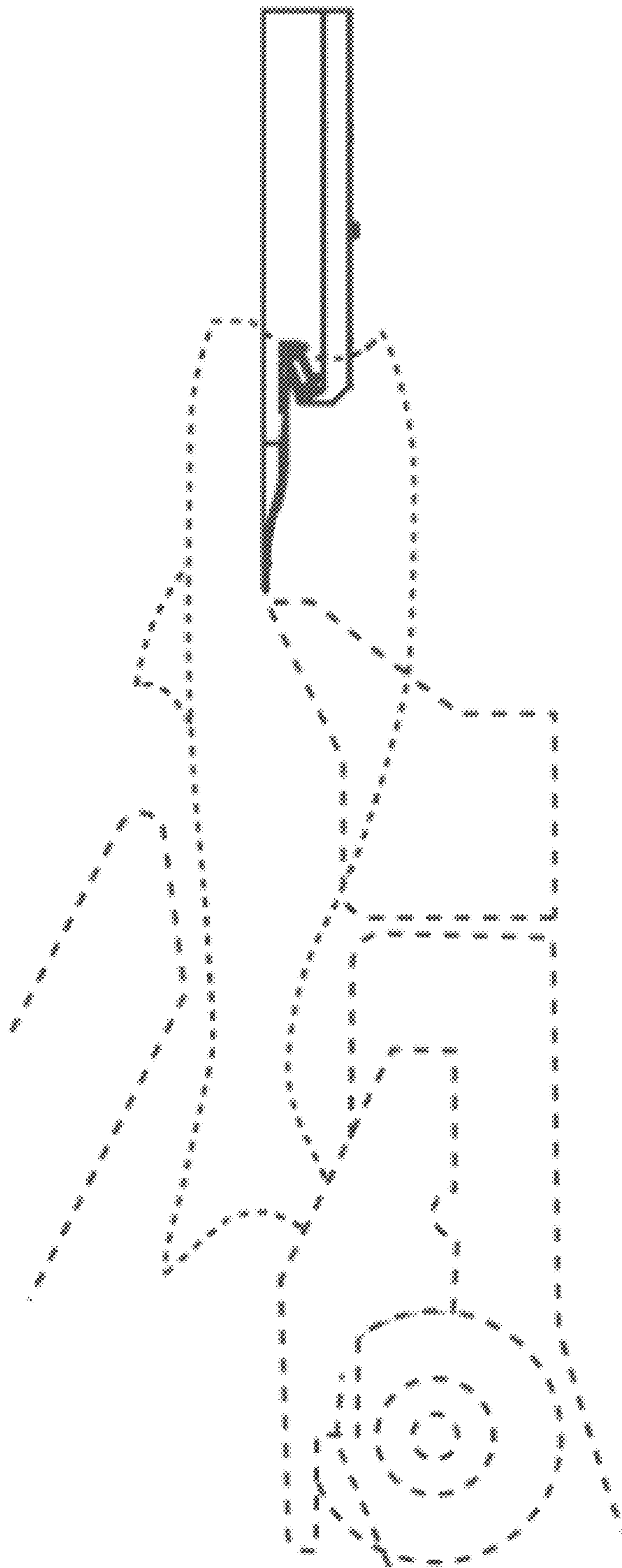
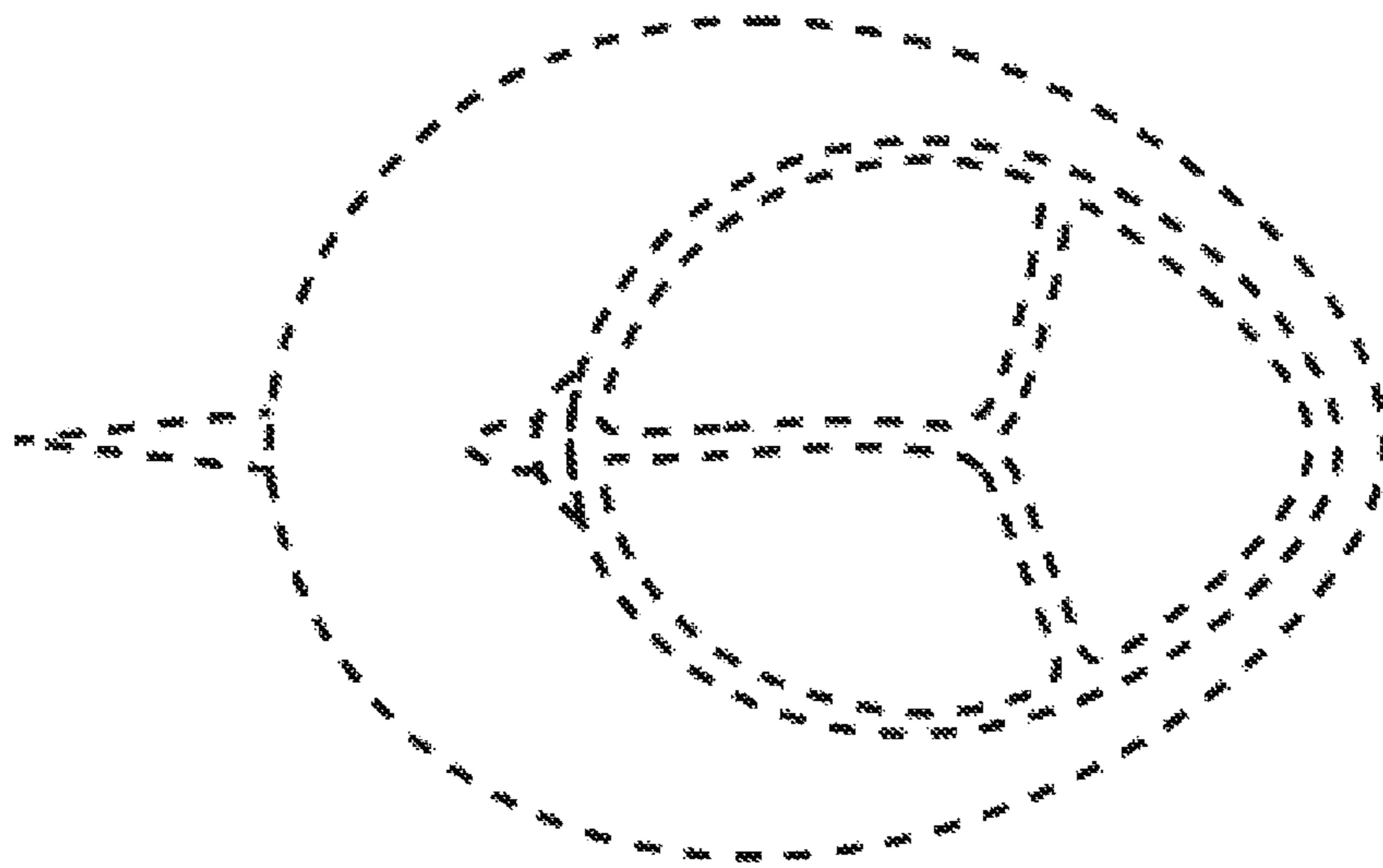


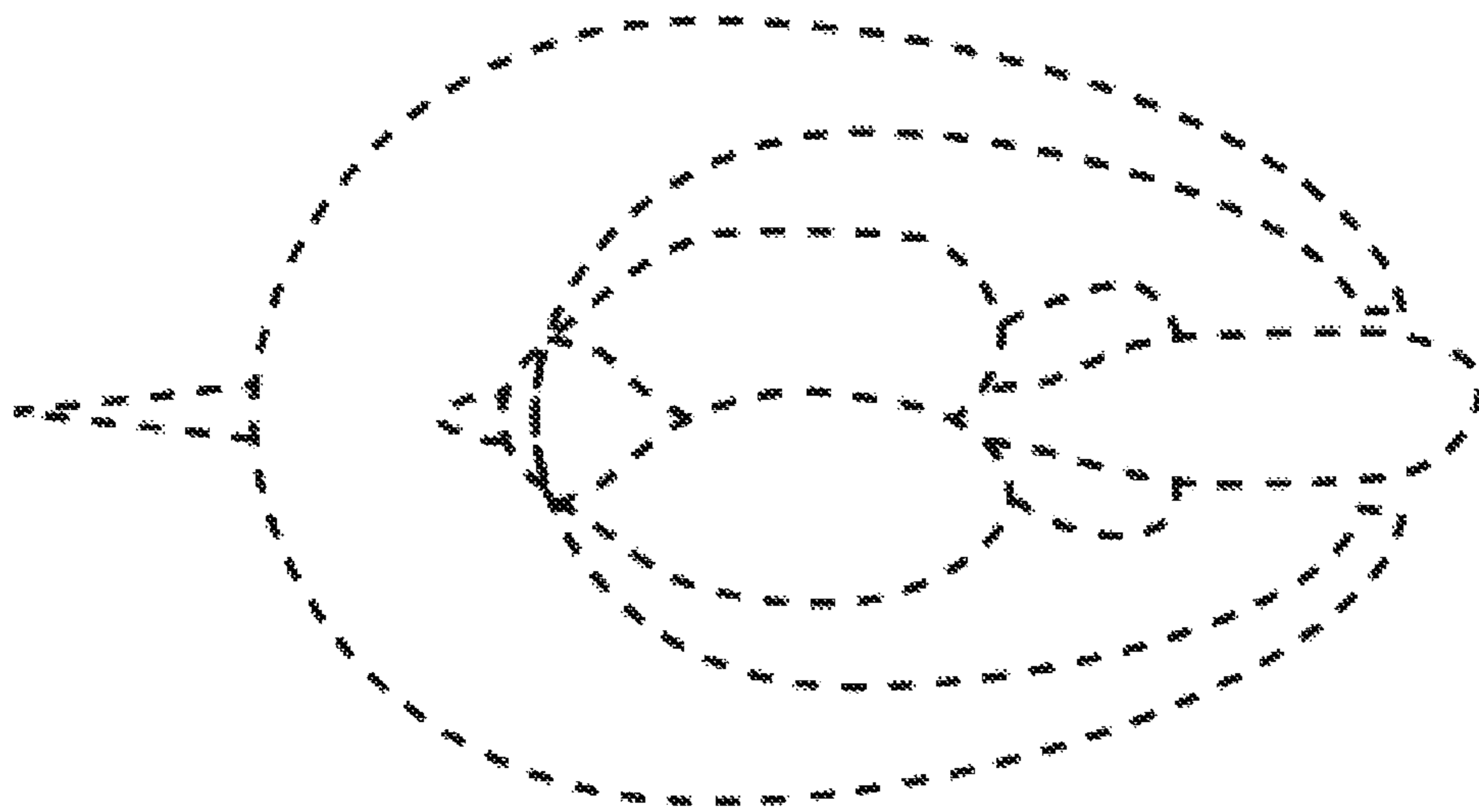
FIG. 1.8



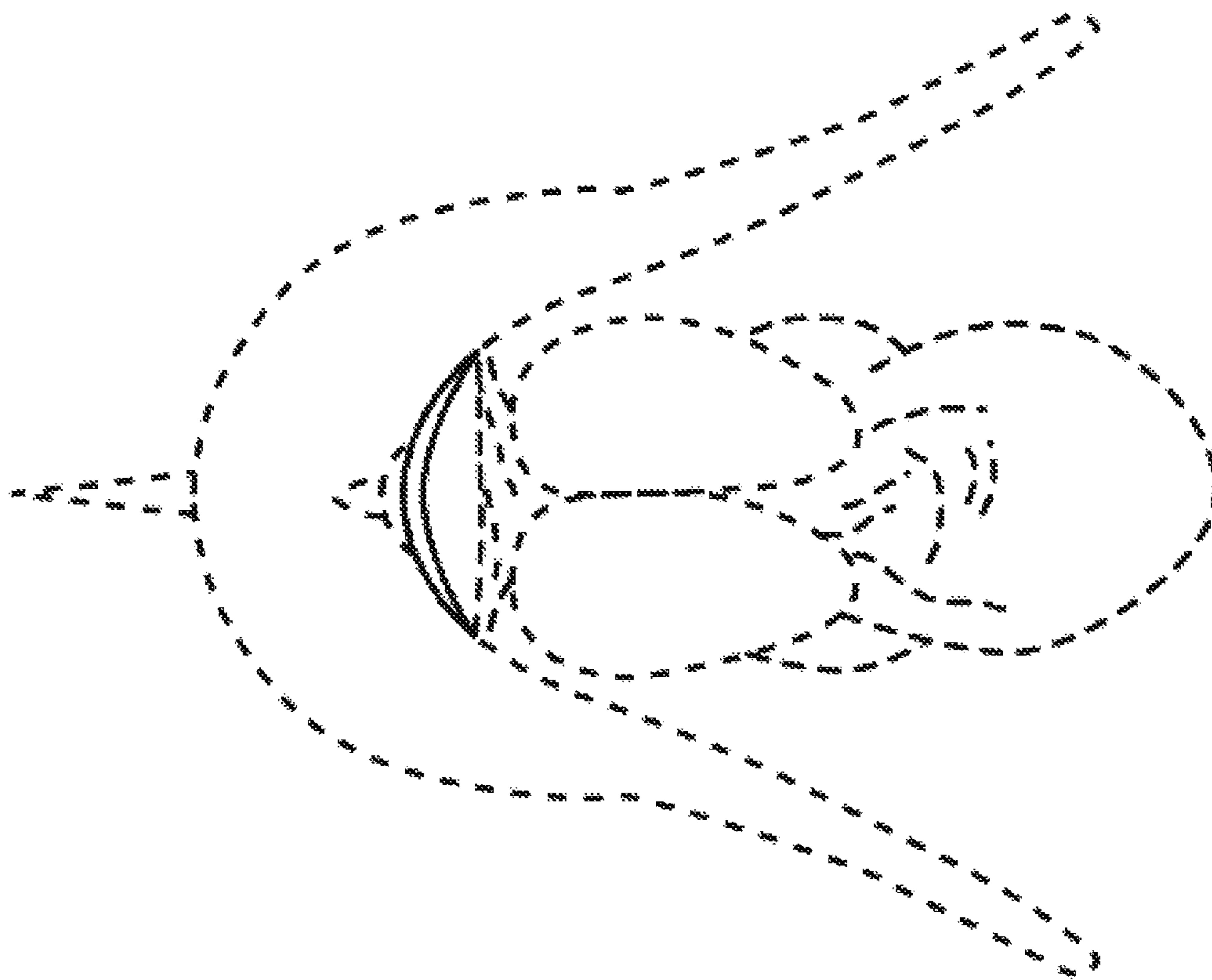
6.1



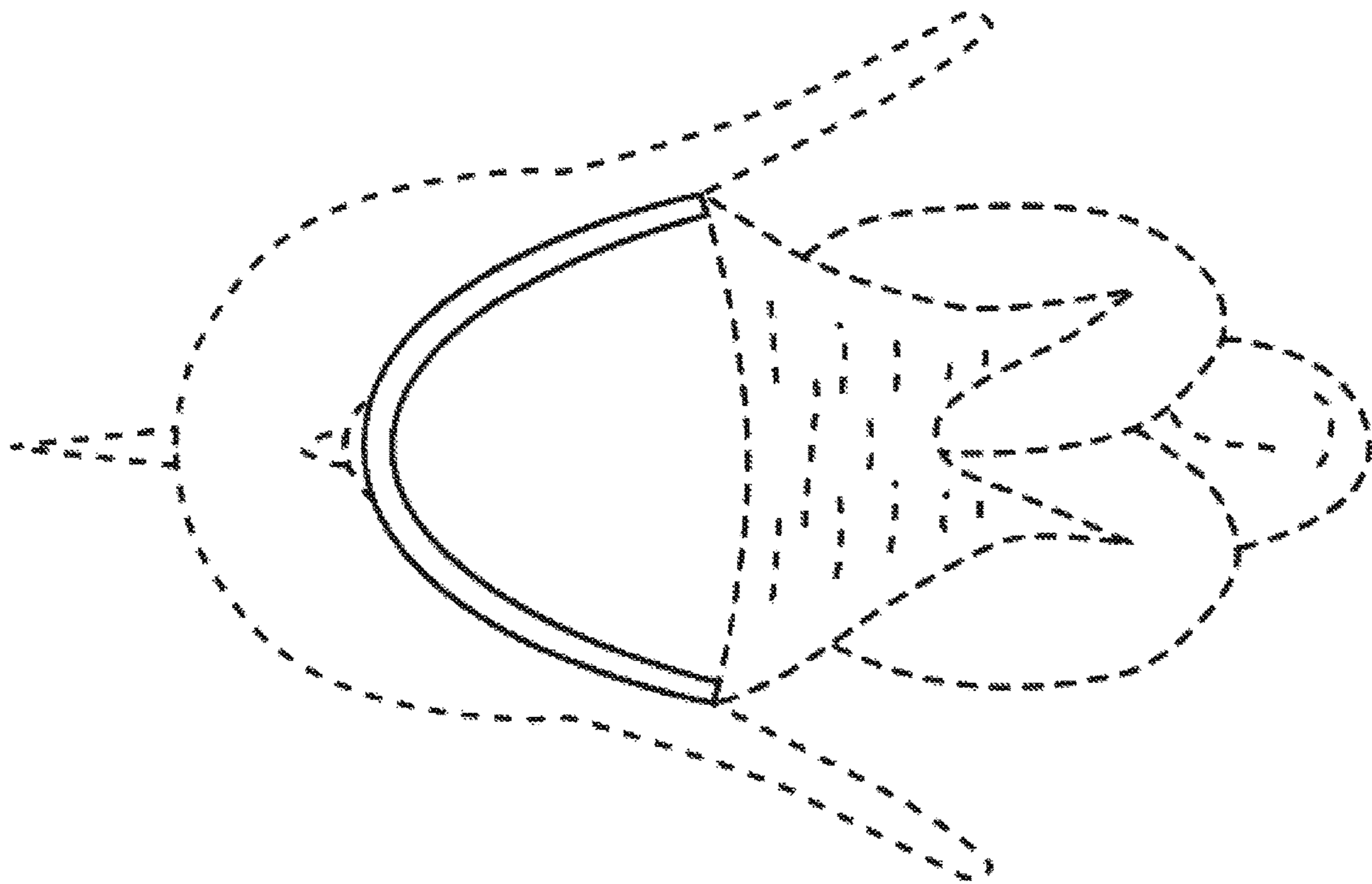
1.10



1.11



1.12



1.13