



US00D899196S

(12) **United States Design Patent** (10) **Patent No.:** **US D899,196 S**  
**Moujaes et al.** (45) **Date of Patent:** **\*\* Oct. 20, 2020**

(54) **CONDIMENT HOLDER**  
(71) Applicant: **MILKMEN DESIGN, LLC**, Akron, OH (US)  
(72) Inventors: **William Moujaes**, Akron, OH (US); **Tony Lahood**, Hinckley, OH (US); **Michael Koury**, Medina, OH (US)  
(73) Assignee: **Milkmen Design, LLC**, Akron, OH (US)  
(\*\*) Term: **15 Years**  
(21) Appl. No.: **29/683,229**  
(22) Filed: **Mar. 12, 2019**  
(51) **LOC (12) Cl.** ..... **07-06**  
(52) **U.S. Cl.**  
USPC ..... **D7/601; D7/620**  
(58) **Field of Classification Search**  
USPC ..... D7/620, 601; D12/419, 420  
CPC ..... B60N 3/103; B60N 3/107; B60N 3/108; B60N 3/10; B60N 3/18; B60R 7/06; B60R 7/08; B60R 7/00; B60R 2011/0059; B60R 2011/0008; B60R 11/00; A47G 23/00  
See application file for complete search history.

9,199,584 B2 12/2015 Mango  
9,296,324 B2 3/2016 Mango  
2010/0003375 A1 1/2010 Schecter  
2012/0138648 A1 6/2012 Moceo, II  
2013/0119103 A1\* 5/2013 Mango ..... B60R 11/00 224/483

(Continued)

**OTHER PUBLICATIONS**

XxNiceThingsxX, Etsy.com, SauceBoss Dip Holder for Car | DipClip | McDonalds Dip Holder | Dip Clip UK | Sauce Boss | Hot Item!—UK Seller, [https://www.etsy.com/listing/560494888/sauceboss-dip-holder-for-car-dipclip?ga\\_order=most\\_relevant&ga\\_search\\_type=all&ga\\_view\\_type=gallery&ga\\_search\\_query=dipclip&ref=sr\\_gallery\\_1](https://www.etsy.com/listing/560494888/sauceboss-dip-holder-for-car-dipclip?ga_order=most_relevant&ga_search_type=all&ga_view_type=gallery&ga_search_query=dipclip&ref=sr_gallery_1), publication was accessible on Nov. 28, 2017, 4 pages.

(Continued)

*Primary Examiner* — Terry A Wallace  
(74) *Attorney, Agent, or Firm* — Sand, Sebolt & Wernow Co., LPA

(57) **CLAIM**

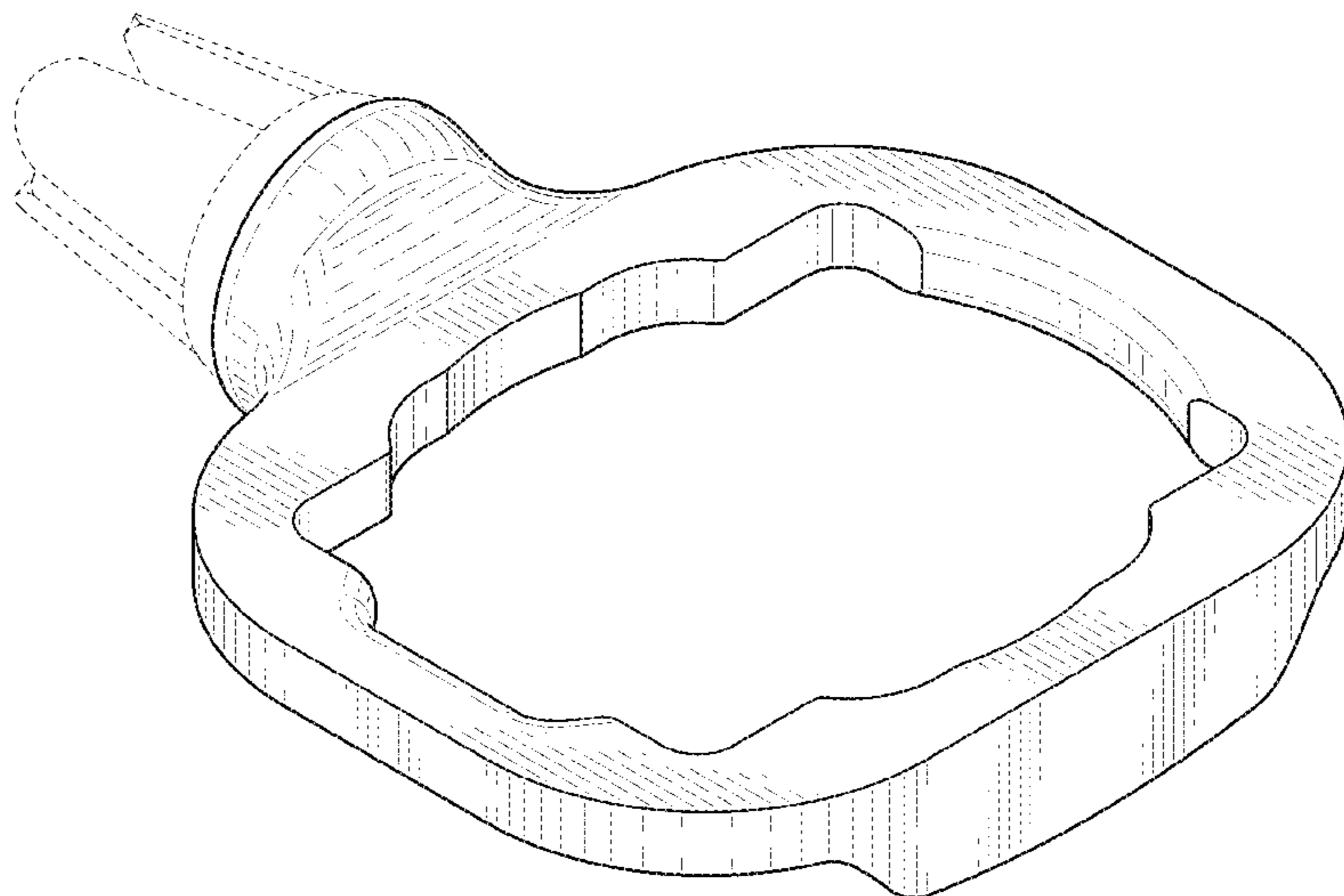
The ornamental design for a condiment holder, as shown and described.

**DESCRIPTION**

FIG. 1 is a front, top, left side, isometric perspective view of a condiment holder in accordance with our design; FIG. 2 is a rear, top, left side, isometric perspective view thereof; FIG. 3 is a front elevation view thereof; FIG. 4 is a rear elevation view thereof; FIG. 5 is a right side elevation view thereof; FIG. 6 is a left side elevation view thereof; FIG. 7 is a top plan view thereof; and, FIG. 8 is a bottom plan view thereof. The broken lines illustrate portions of the condiment holder which form no part of the claimed design.

**1 Claim, 5 Drawing Sheets**

(56) **References Cited**  
U.S. PATENT DOCUMENTS  
3,866,873 A \* 2/1975 Bohli ..... F16B 11/006 248/544  
5,667,119 A \* 9/1997 Florence ..... B60N 3/004 224/281  
5,979,724 A 11/1999 Loewenthal, Jr. et al.  
6,189,489 B1 2/2001 Pearce  
6,193,201 B1 2/2001 Babcock  
6,196,434 B1 3/2001 Angran et al.  
D447,012 S \* 8/2001 Owens ..... D7/620  
6,364,112 B1 4/2002 Pitschka  
6,682,034 B1 \* 1/2004 Vial ..... A47G 19/04 248/231.81  
8,109,235 B2 2/2012 Lipscomb et al.



(56)

**References Cited**

U.S. PATENT DOCUMENTS

2013/0200124 A1\* 8/2013 Burwinkel ..... B60N 3/103  
224/545

2014/0021233 A1 1/2014 Strole

2014/0103087 A1 4/2014 Fan

2014/0138418 A1 5/2014 Dunn

2014/0138419 A1 5/2014 Minn et al.

2014/0183238 A1 7/2014 Lin

2014/0326768 A1 11/2014 Mango

2015/0217697 A1\* 8/2015 Peters ..... B60R 7/06  
224/483

2015/0366388 A1 12/2015 Goldstein

OTHER PUBLICATIONS

ImproperEngineering, Etsy.com, Sauce Buddy Dip Clip Adjustable The Original || Car Vent Holder Car Vent Sauce Holder Car Vent Clip Air Vent Sauce Holder DipClip, [https://www.etsy.com/listing/573887405/sauce-buddy-dip-clip-the-original-sauce?ga\\_order=most\\_relevant&ga\\_search\\_type=all&ga\\_view\\_type=gallery&ga\\_search\\_query=dipclip&ref=sr\\_gallery\\_2](https://www.etsy.com/listing/573887405/sauce-buddy-dip-clip-the-original-sauce?ga_order=most_relevant&ga_search_type=all&ga_view_type=gallery&ga_search_query=dipclip&ref=sr_gallery_2), publication was accessible on Nov. 28, 2017, 4 pages.

PrintinTime3D, Etsy.com, Little Dipper || Dip Clip || Sauce Holder || Car Accessories || Dipclip || Car Vent Holder, [https://www.etsy.com/listing/575082339/little-dipper-dip-clip-sauce-holder-car?ga\\_order=most\\_relevant&ga\\_search\\_type=all&ga\\_view\\_type=gallery&ga\\_search\\_query=dipclip&ref=sr\\_gallery\\_3](https://www.etsy.com/listing/575082339/little-dipper-dip-clip-sauce-holder-car?ga_order=most_relevant&ga_search_type=all&ga_view_type=gallery&ga_search_query=dipclip&ref=sr_gallery_3), publication was accessible Nov. 28, 2017, 3 pages.

Thingiverse, Car DipClip by darookee, <https://www.thingiverse.com/thing:2662748>, publication was accessible Nov. 28, 2017, 3 pages.

Thingiverse, Car DipClip, Sauce holder for a car, Clips into air vent Vo.02 by JuXas, <https://www.thingiverse.com/thing:2660990>, publication was accessible Nov. 28, 2017, 3 pages.

12 WBOY.com, 'Fast Food Buddy' Invention Makes Eating On-the-Go Easier for Consumers, <http://www.wvalways.com/story/26388108/fast-food-buddy-invention-makes-eating-on-the-go-easier-for-consumers>, Posted Aug. 27, 2014, 2 pages.

FFB, Amazon.com, Bright Red Fast Food Buddy Dipping Sauce and Cup Holder, <https://www.amazon.com/Bright-Buddy-Dipping-Sauce-Holder/dp/B01C9RPI4E>, May 5, 2016, 4 pages.

Prepworks Dip Clip Set (Set of 4), Assorted Colors, [https://www.walmart.com/ip/Prepworks-Dip-Clip-Set-Set-of-4-Assorted-Colors/28491881?wmlspartner=wlp&selectedSellerId=0&adid=2222222227019047513&w10=&w11=g&w12=c&w13=52360689975&w14=pla-79465779735&w15=9015314&w16=&w17=&w18=&w19=pla\\_with\\_promotion&w110=8175035&w111=online&w112=28491881&w113=&veh=sem](https://www.walmart.com/ip/Prepworks-Dip-Clip-Set-Set-of-4-Assorted-Colors/28491881?wmlspartner=wlp&selectedSellerId=0&adid=2222222227019047513&w10=&w11=g&w12=c&w13=52360689975&w14=pla-79465779735&w15=9015314&w16=&w17=&w18=&w19=pla_with_promotion&w110=8175035&w111=online&w112=28491881&w113=&veh=sem), publication was accessible Nov. 28, 2017, 4 pages.

\* cited by examiner

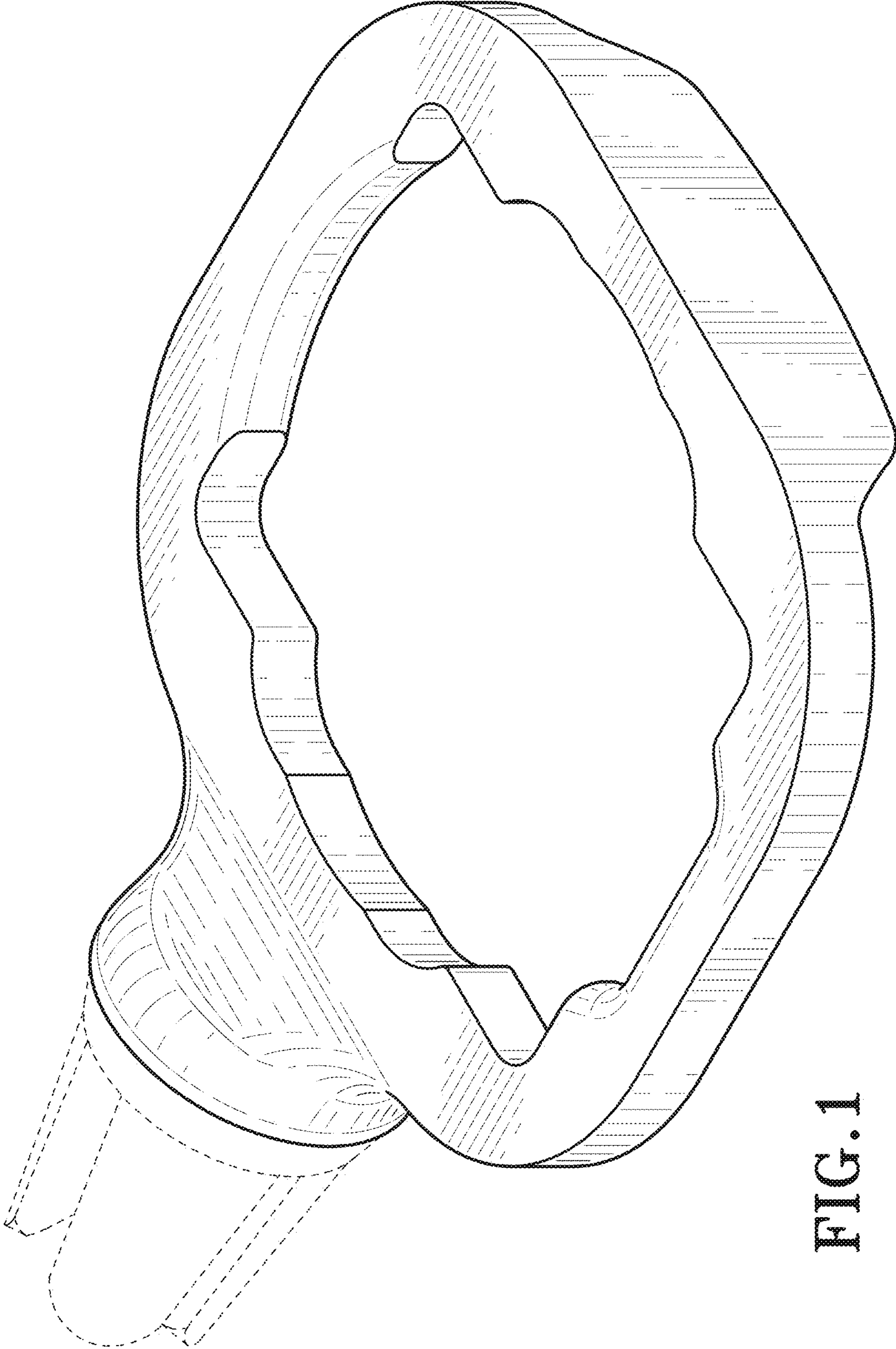


FIG. 1

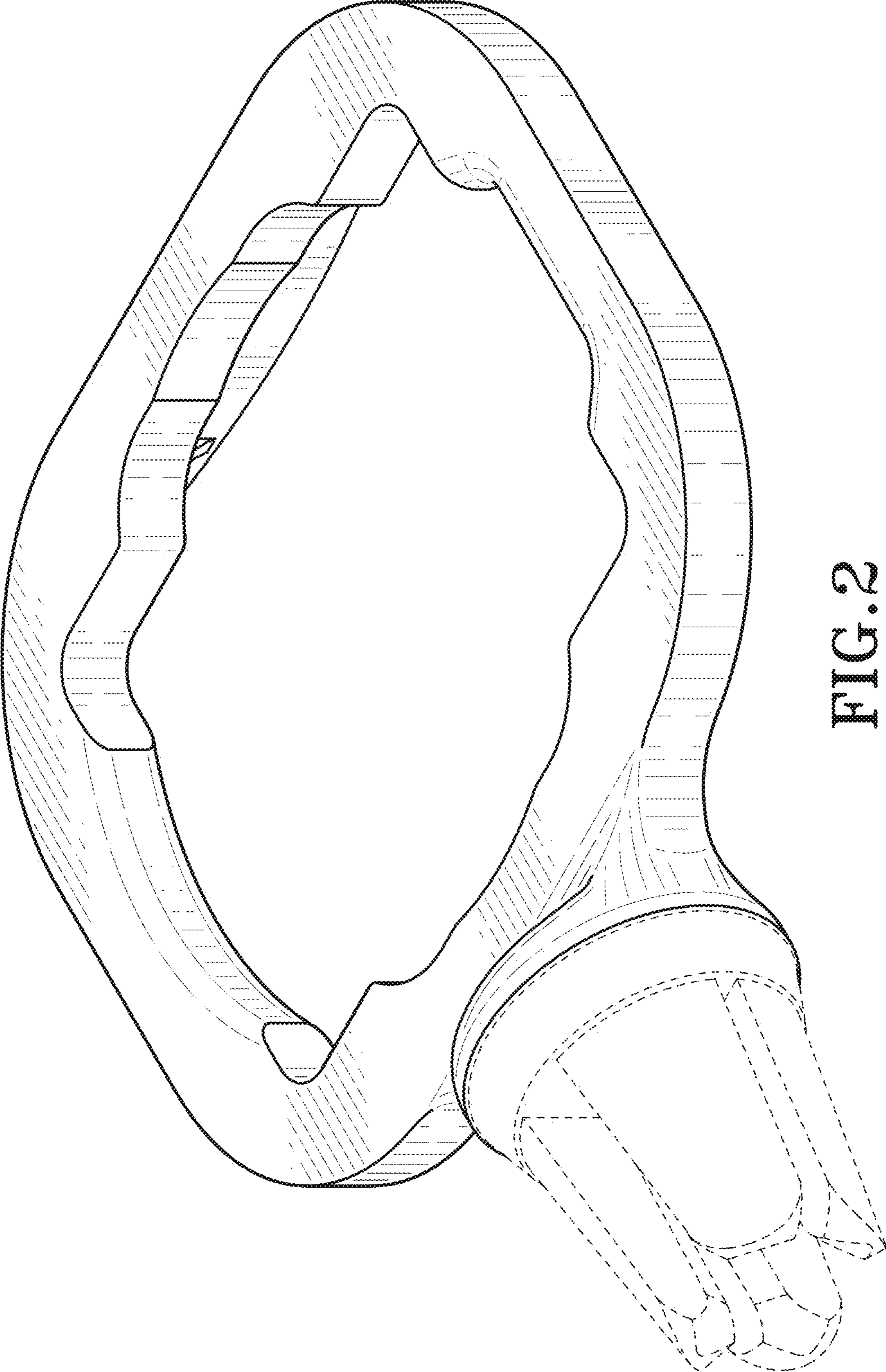


FIG. 2

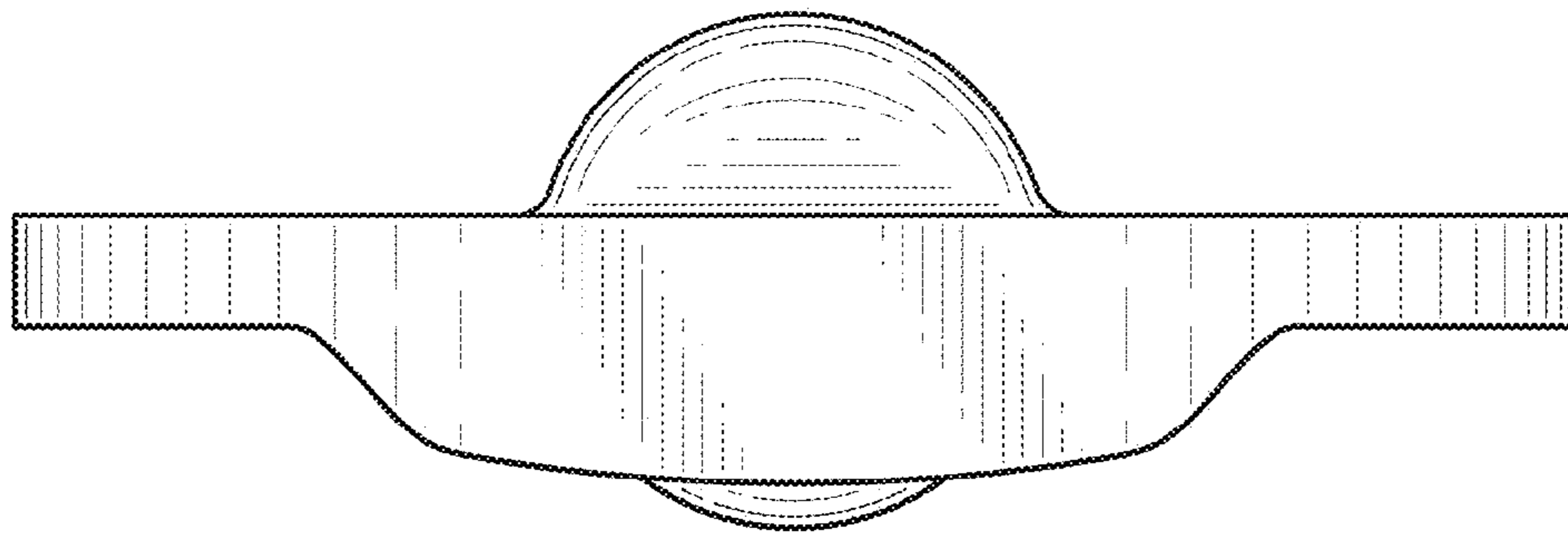


FIG. 3

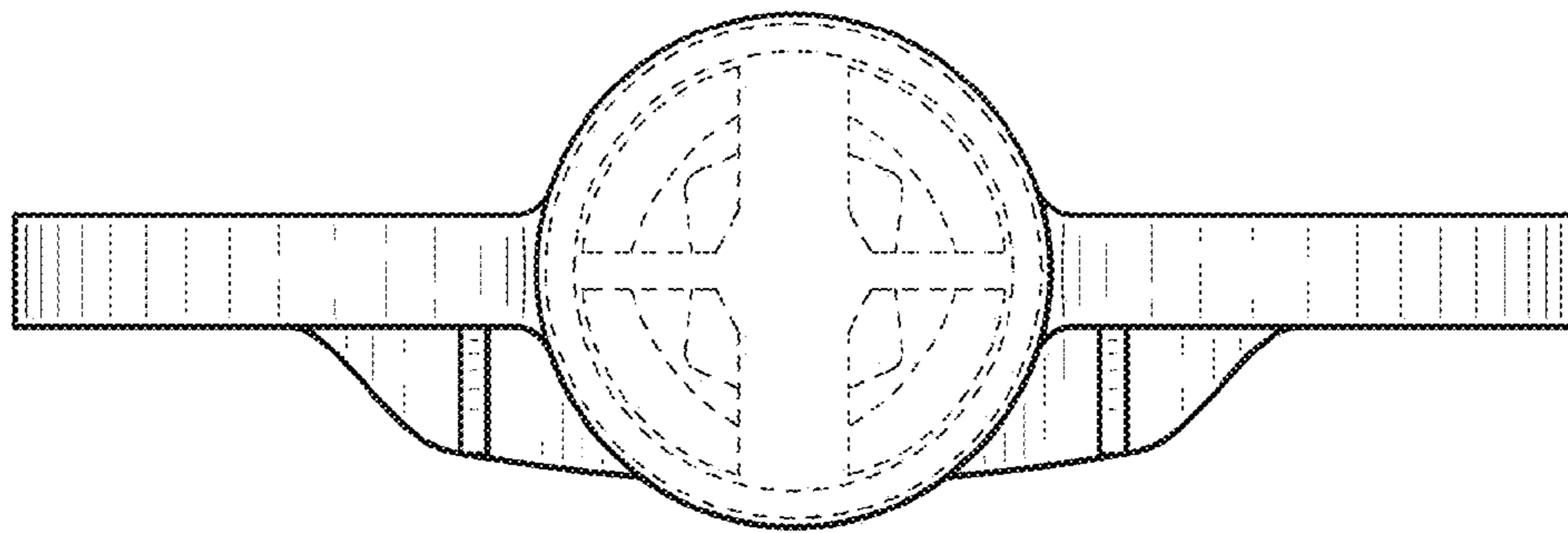


FIG. 4

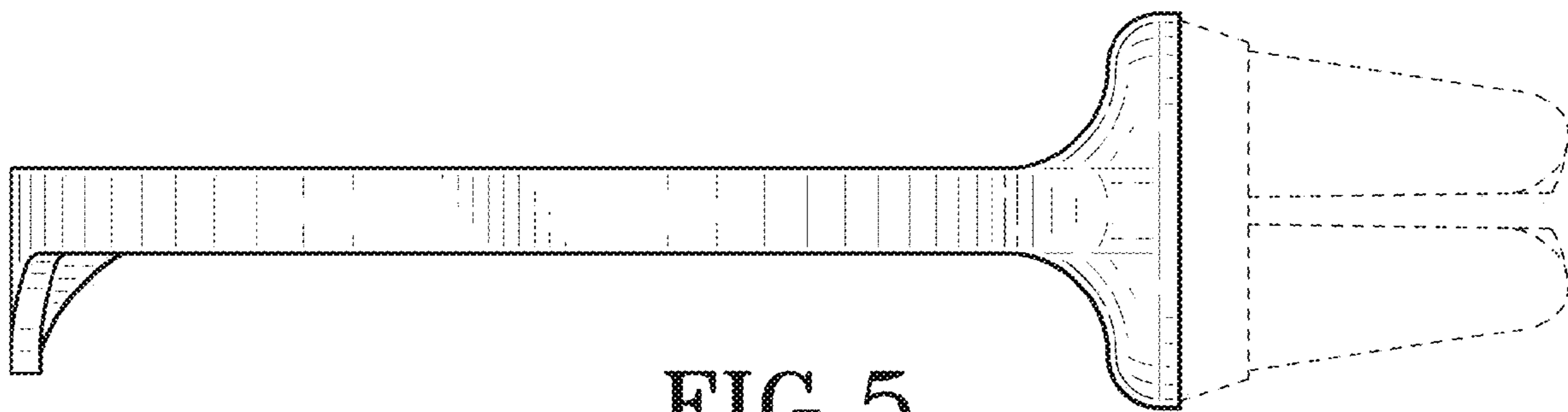


FIG. 5

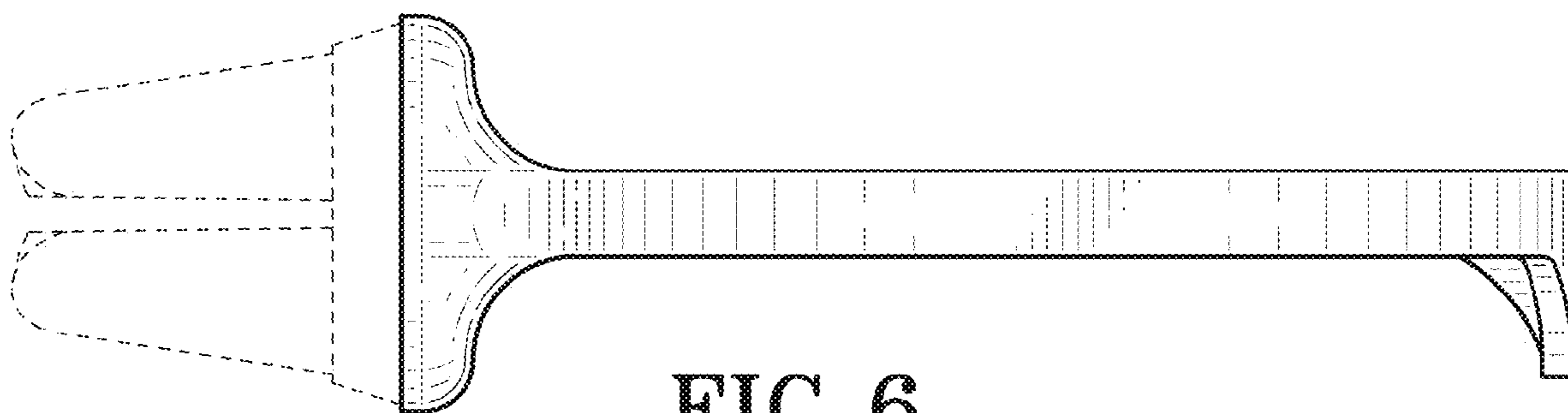


FIG. 6

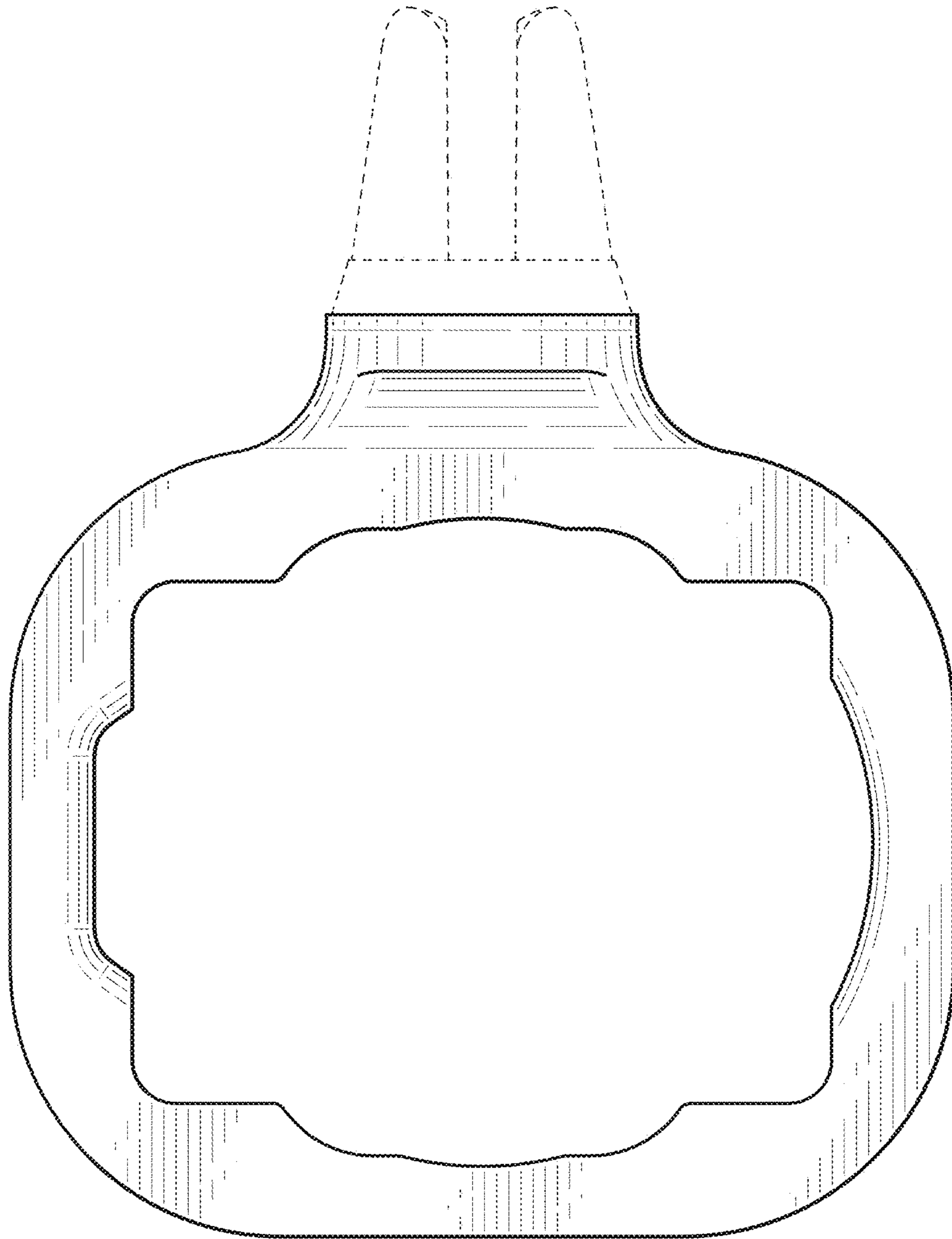


FIG. 7

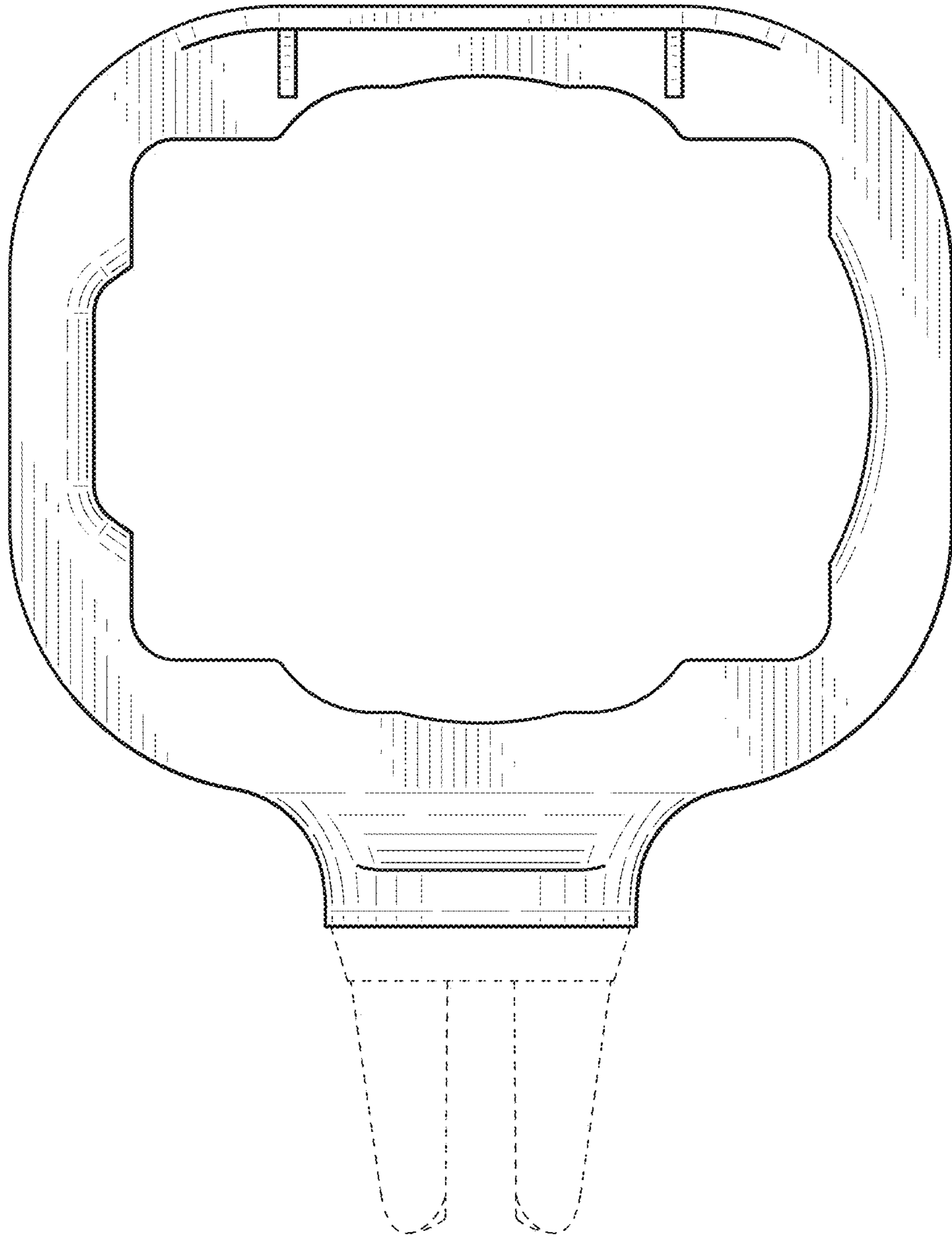


FIG. 8