



US00D899195S

(12) **United States Design Patent**
Reiser et al.

(10) **Patent No.:** **US D899,195 S**
(45) **Date of Patent:** **** Oct. 20, 2020**

(54) **FOOD PRODUCT DISPENSER**

FOREIGN PATENT DOCUMENTS

(71) Applicant: **Rich Products Corporation**, Buffalo, NY (US)

EP 0346590 12/1989
EP 0464341 1/1992

(Continued)

(72) Inventors: **Ralf Reiser**, Orchard Park, NY (US);
Seung-Yeol Hong, Amherst, NY (US);
Shawn Campbell, Burlington (CA)

OTHER PUBLICATIONS

Korean Patent Office Action for Application No. 30-2019-0015056 dated Dec. 18, 2019 (17 pages, English translation included).

(73) Assignee: **Rich Products Corporation**, Buffalo, NY (US)

Primary Examiner — Cynthia R Underwood

(**) Term: **15 Years**

(74) *Attorney, Agent, or Firm* — Michael Best & Friedrich LLP

(21) Appl. No.: **29/666,445**

(57) **CLAIM**

(22) Filed: **Oct. 12, 2018**

We claim the ornamental design for a food product dispenser, as shown and described.

(51) **LOC (12) Cl.** **07-07**

DESCRIPTION

(52) **U.S. Cl.**
USPC **D7/589**

(58) **Field of Classification Search**
USPC D7/589, 311
CPC B67D 1/0044; B65D 85/60; B65D 1/00
See application file for complete search history.

FIG. 1 is a front perspective view of a food product dispenser according to a first embodiment of the present invention.

FIG. 2 is a rear perspective view of the food product dispenser of FIG. 1.

FIG. 3 is a left-side view of the food product dispenser of FIG. 1.

FIG. 4 is a right-side view of the food product dispenser of FIG. 1.

FIG. 5 is a front view of the food product dispenser of FIG. 1.

FIG. 6 is a rear view of the food product dispenser of FIG. 1.

FIG. 7 is a top view of the food product dispenser of FIG. 1; and,

FIG. 8 is a bottom view of the food product dispenser of FIG. 1.

The portions of the food product dispenser shown in broken lines are included for the purpose of illustrating environment and form no part of the claimed design.

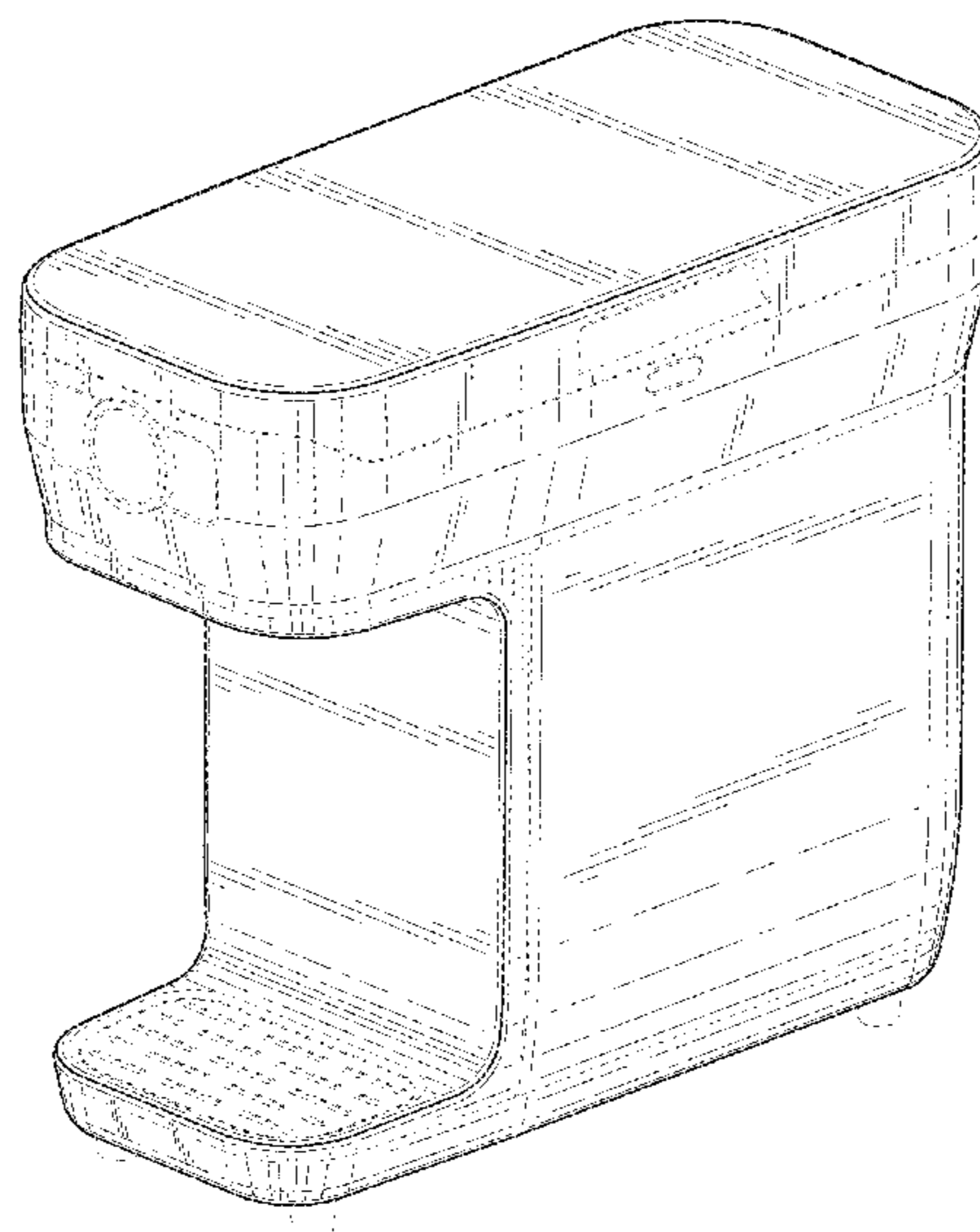
(56) **References Cited**

U.S. PATENT DOCUMENTS

D185,626	S	*	7/1959	Craig	D6/515
D196,874	S	*	11/1963	Fites	D6/515
3,559,958	A		2/1971	Carpigiani		
3,628,893	A		12/1971	Carpigiani		
3,632,021	A		1/1972	Macmanus		
3,659,519	A		5/1972	Macmanus		
3,700,214	A		10/1972	Macmanus		
3,764,238	A		10/1973	Carpigiani		
3,815,789	A		6/1974	Carpigiani		
3,854,700	A		12/1974	Macmanus		
4,061,248	A		12/1977	Arena		
4,144,293	A		3/1979	Hamoto et al.		
4,168,727	A		9/1979	Yoshida		
4,173,126	A		11/1979	Romano		

(Continued)

1 Claim, 6 Drawing Sheets



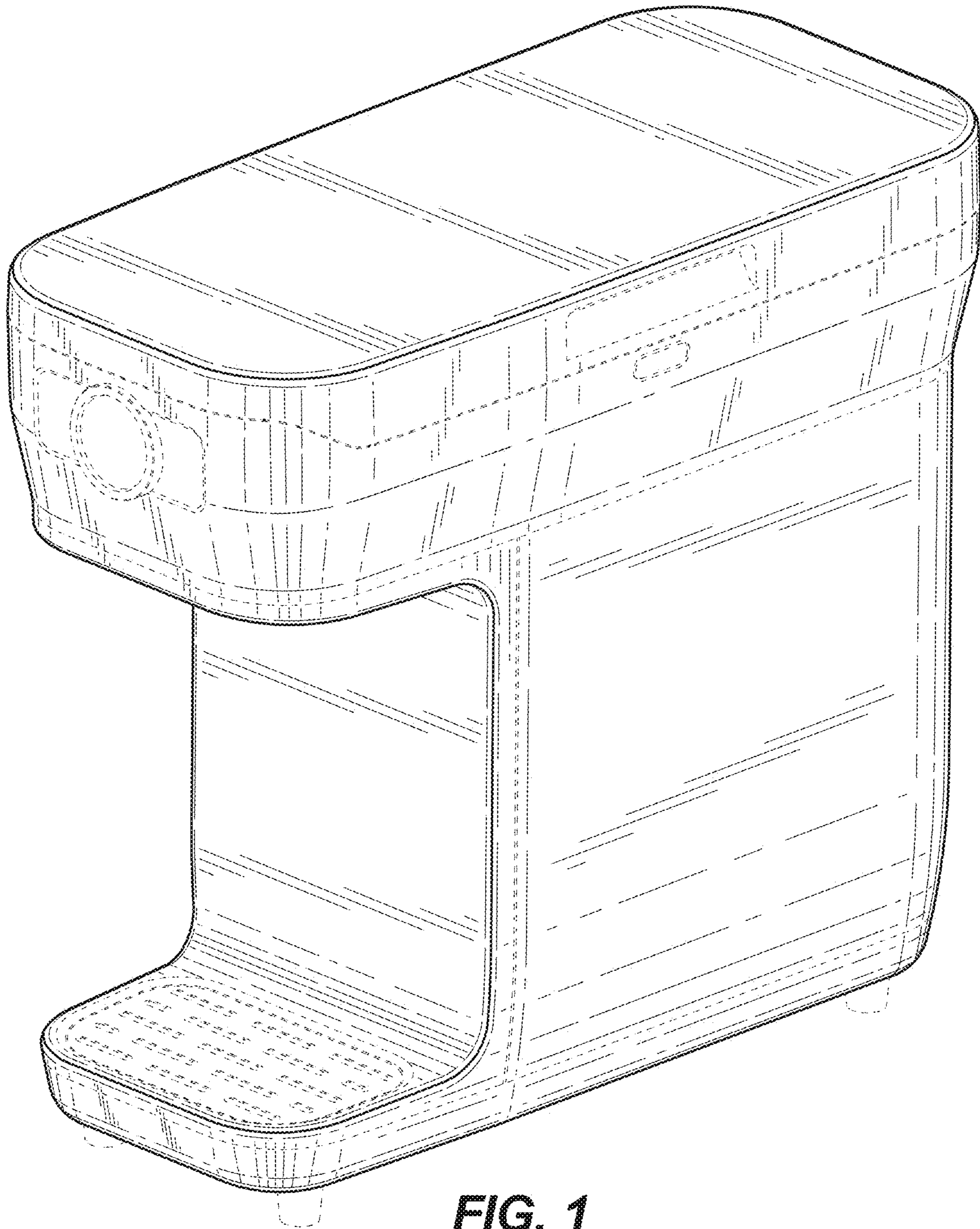


FIG. 1

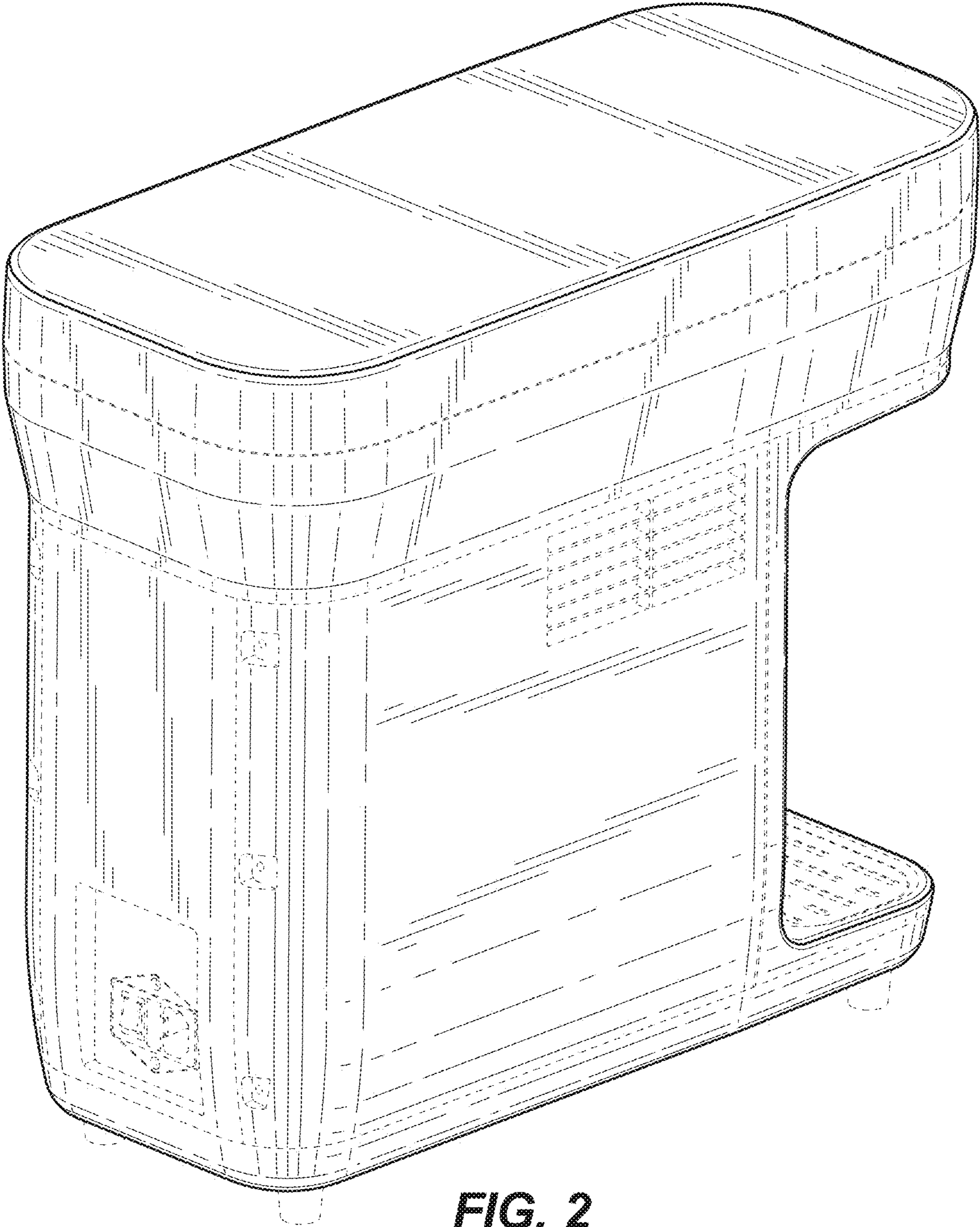


FIG. 2

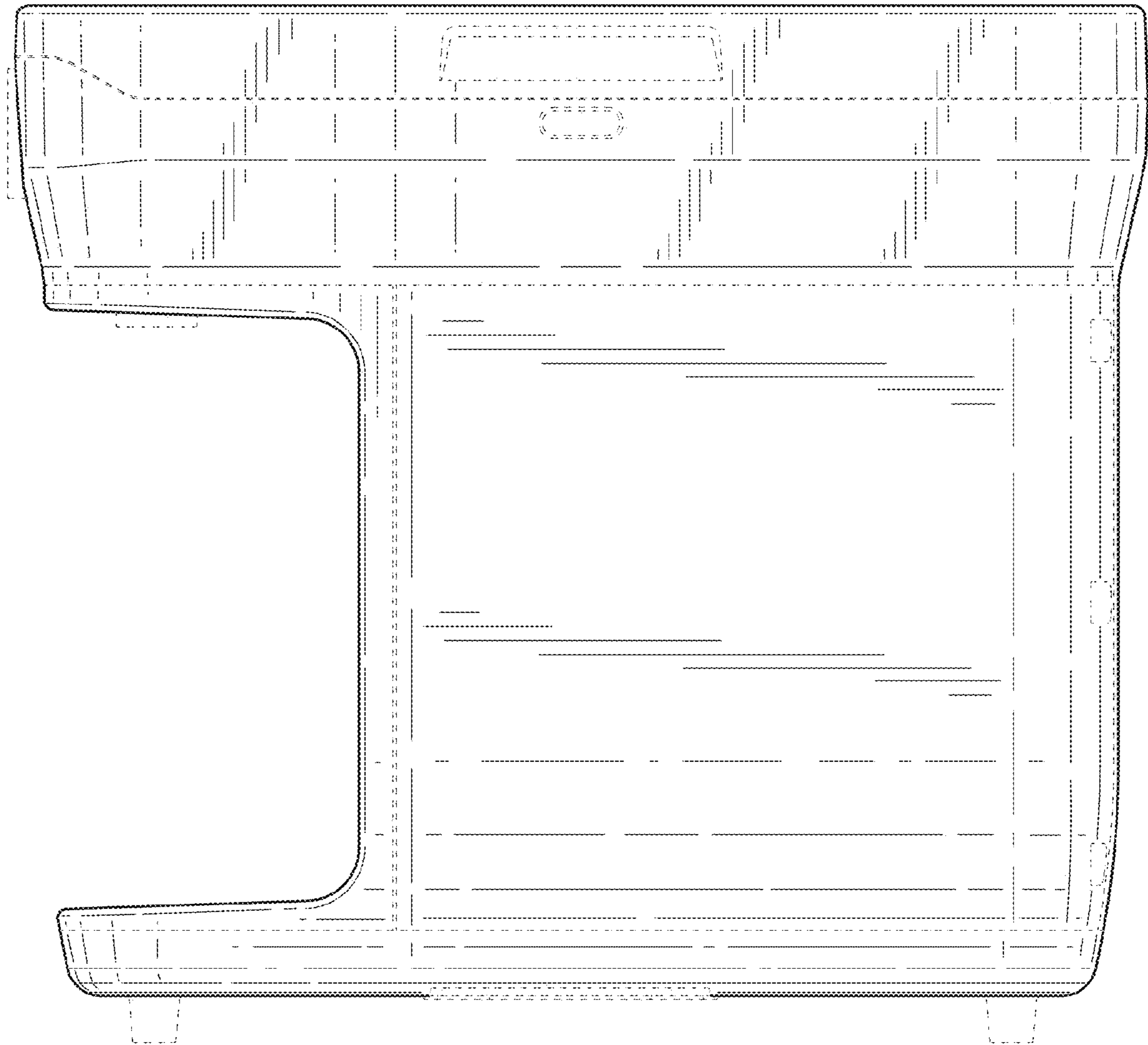


FIG. 3

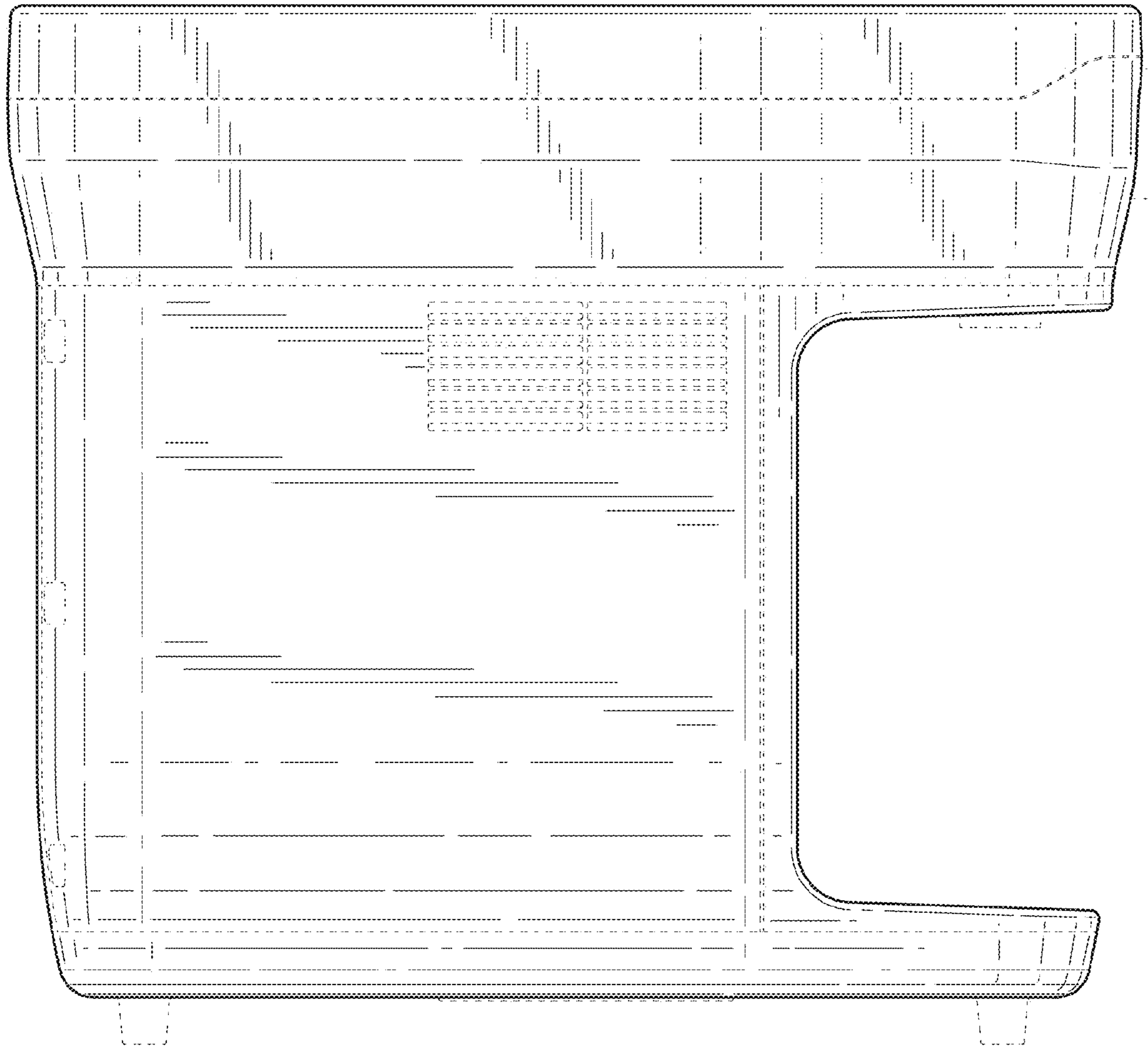


FIG. 4

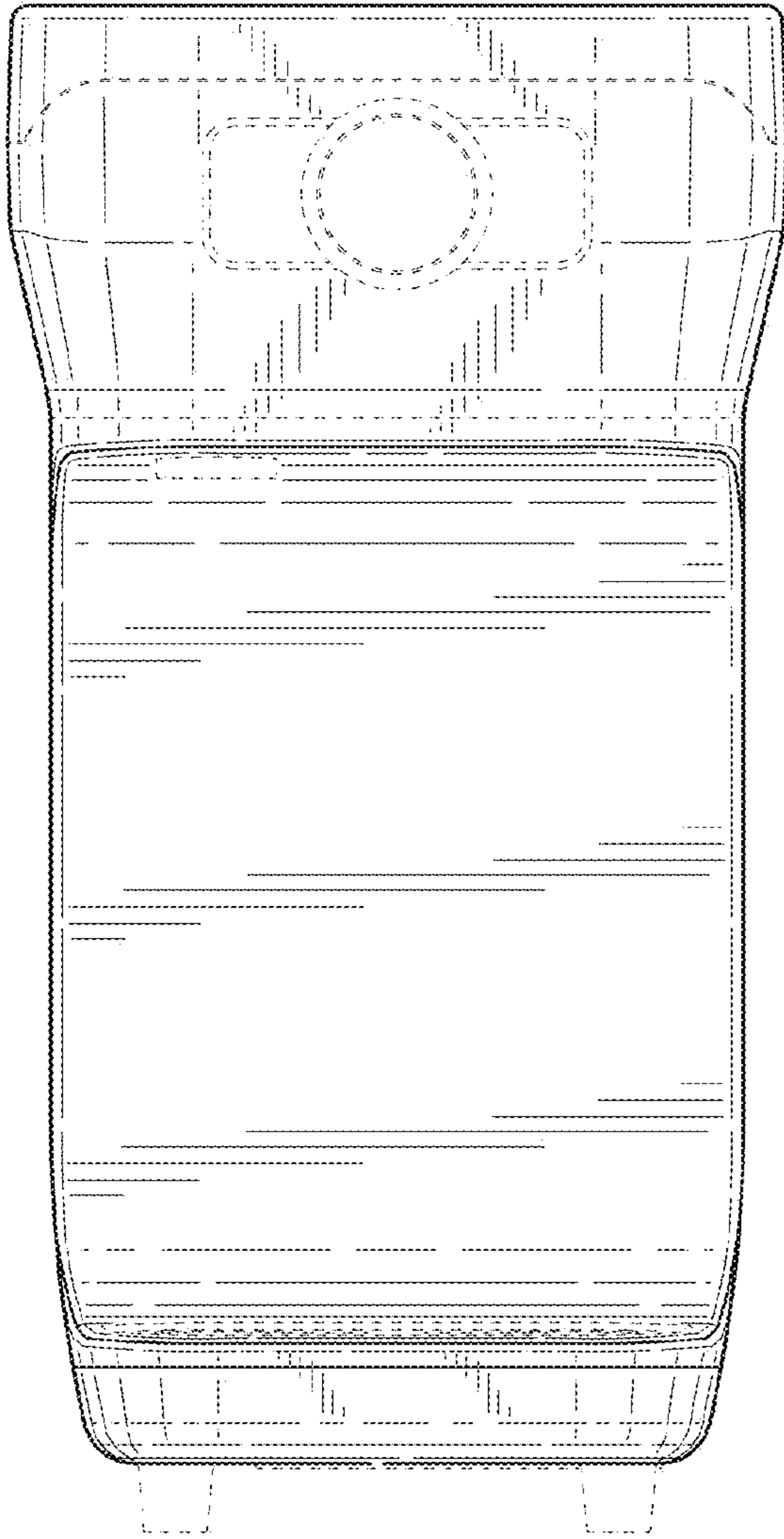


FIG. 5

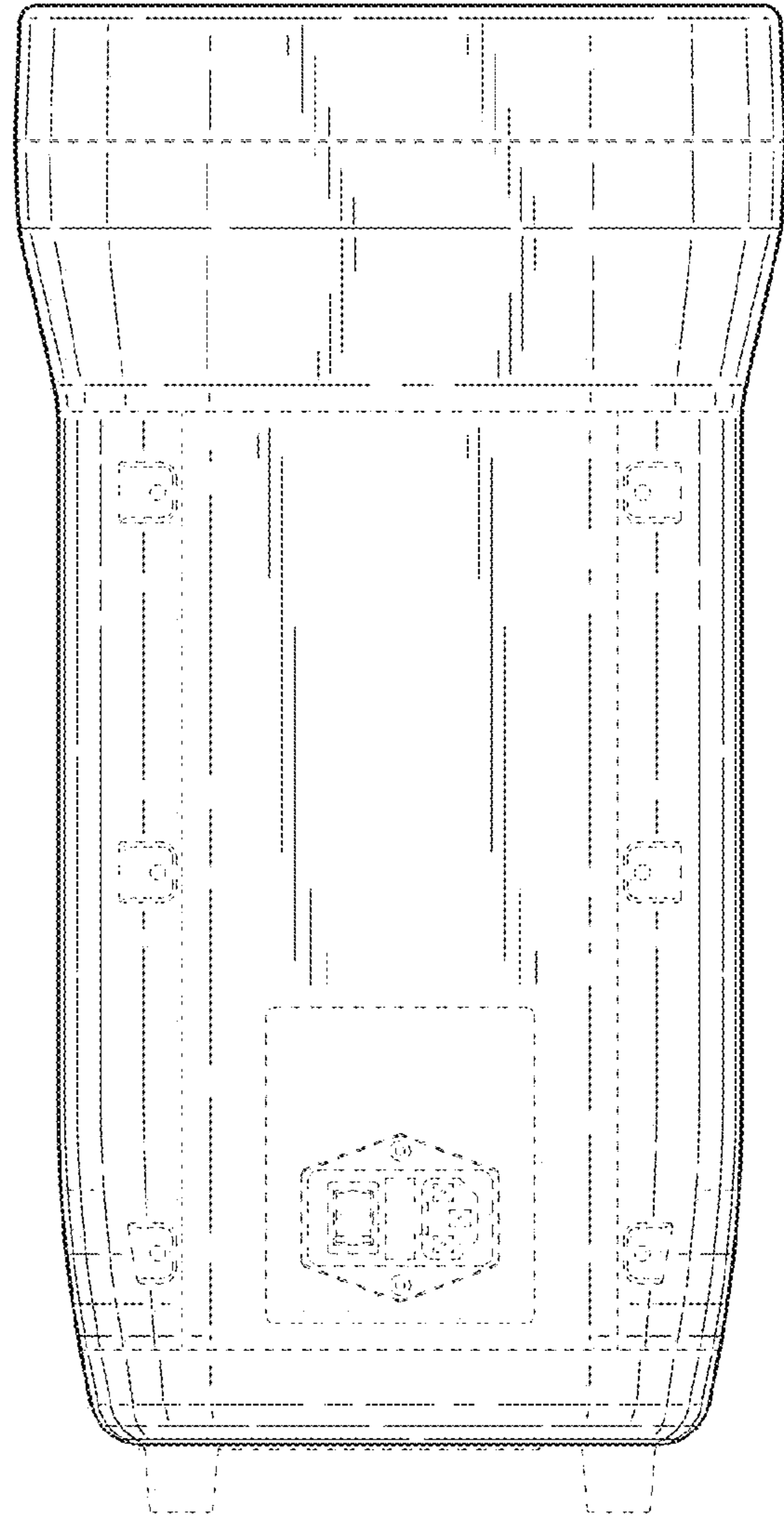


FIG. 6

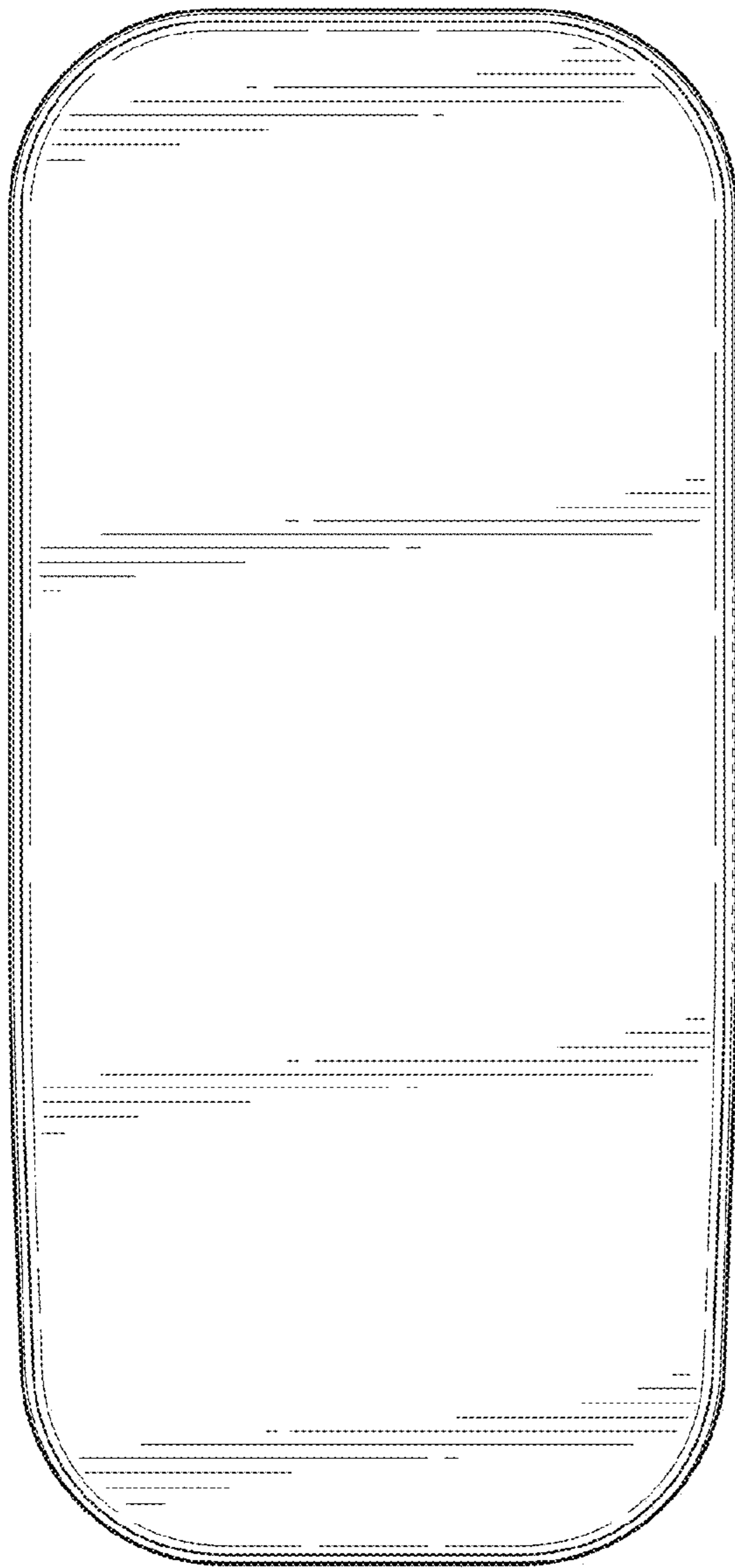


FIG. 7

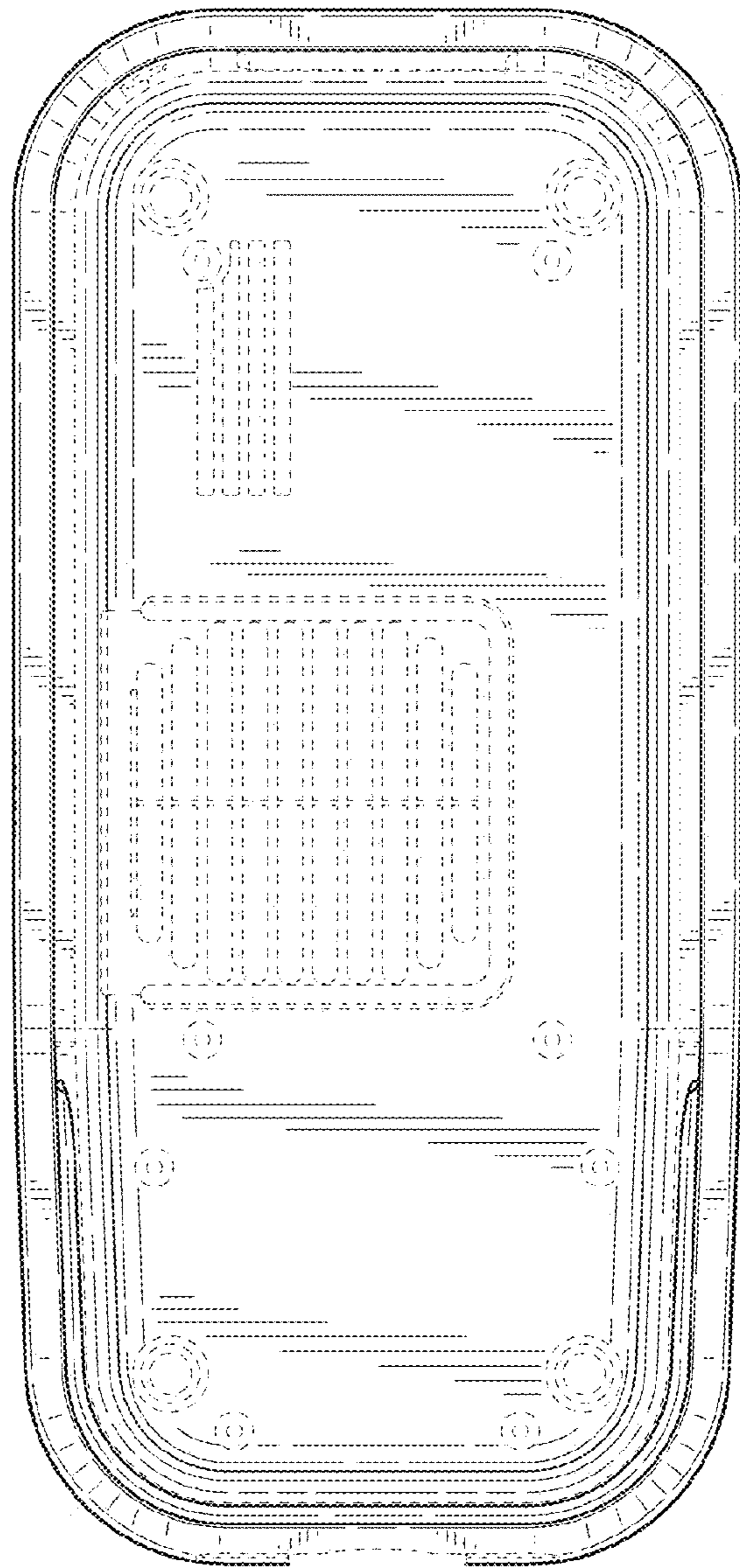


FIG. 8