



US00D899191S

(12) **United States Design Patent** (10) **Patent No.:** **US D899,191 S**  
**Jacobsen** (45) **Date of Patent:** **\*\* \*Oct. 20, 2020**

- (54) **TUMBLER WITH LID**
- (71) Applicant: **RTIC OUTDOORS, LLC**
- (72) Inventor: **James Matthew Jacobsen**, Houston, TX (US)
- (73) Assignee: **RTIC Outdoors, LLC**, Houston, TX (US)
- (\*) Notice: This patent is subject to a terminal disclaimer.
- (\*\*) Term: **15 Years**
- (21) Appl. No.: **29/619,535**
- (22) Filed: **Sep. 29, 2017**
- (51) **LOC (12) Cl.** ..... **07-01**
- (52) **U.S. Cl.**  
USPC ..... **D7/511**
- (58) **Field of Classification Search**  
USPC ..... D7/396.1, 396.2, 397, 509, 510, 511, D7/523, 900; D9/516, 544, 545, 546, D9/549, 434, 435  
CPC ..... A45F 3/16; A47G 19/2216; A47G 19/22; A47G 19/2272; B65D 41/04; B65D 41/0414; B65D 51/18; A47J 43/27  
See application file for complete search history.

D814,240 S \* 4/2018 Kabalin ..... D7/510  
 9,938,054 B2 4/2018 Choitco-Devlin  
 D817,086 S 5/2018 Guthrie  
 (Continued)

**OTHER PUBLICATIONS**

RTIC Tumbler 30ozl posted at Amazon.com, posted on Aug. 16, 2016 © 1996-2018 Amazon.com, [online], [site visited Dec. 19, 2018]. Available from Internet, <URL: [https://www.amazon.com/RTIC-191-Insulated-Tumbler-Stainless/dp/B07572PCPG/ref=sr\\_1\\_3?ie=UTF8&qid=1545397965&sr=8-3&keywords=rtic+tumbler+30+oz](https://www.amazon.com/RTIC-191-Insulated-Tumbler-Stainless/dp/B07572PCPG/ref=sr_1_3?ie=UTF8&qid=1545397965&sr=8-3&keywords=rtic+tumbler+30+oz)> (Year: 2016).\*

(Continued)

*Primary Examiner* — Susan E Krakower  
*Assistant Examiner* — Andrew Kerr  
 (74) *Attorney, Agent, or Firm* — Fish & Richardson P.C.

(57) **CLAIM**

The ornamental design for a tumbler with lid, substantially as shown and described.

**DESCRIPTION**

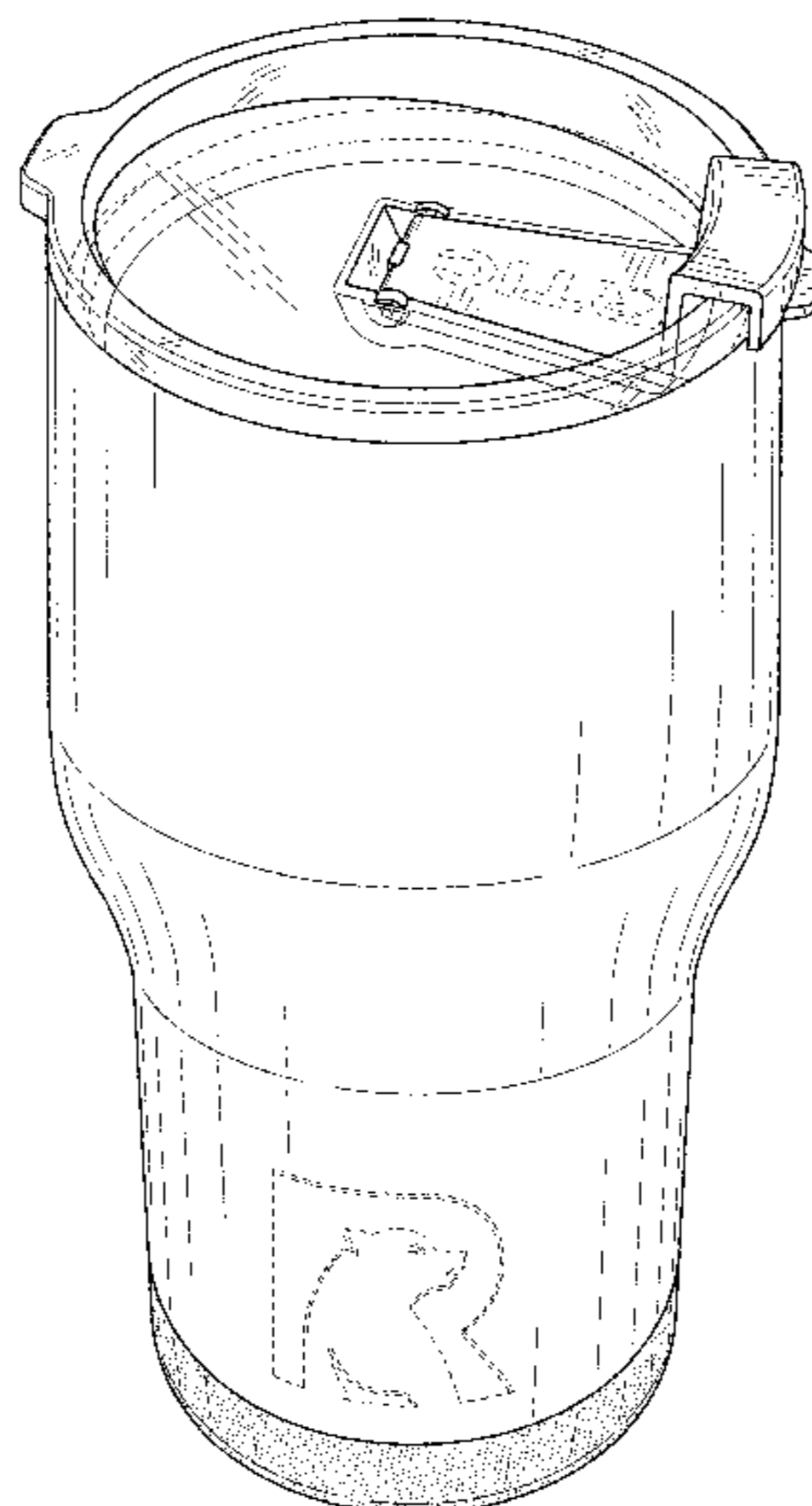
FIG. 1 is a perspective view of a tumbler with lid, showing my design.  
 FIG. 2 is a front view of the tumbler with lid.  
 FIG. 3 is a rear view of the tumbler with lid.  
 FIG. 4 is a right side view of the tumbler with lid.  
 FIG. 5 is a left side view of the tumbler with lid.  
 FIG. 6 is a top view of the tumbler with lid; and,  
 FIG. 7 is a bottom view of the tumbler with lid.  
 The surface shading and contour lines shown in the drawings represent shading and contours. The stippling on the lower bottom portion of the tumbler with lid represents a contrast in appearance.  
 The broken lines in the drawings depict portions of the tumbler with lid that form no part of the claimed design.  
 In some embodiments my design also includes and image of the logo.

**1 Claim, 6 Drawing Sheets**

(56) **References Cited**

**U.S. PATENT DOCUMENTS**

- 5,203,468 A 4/1993 Hsu
- 5,769,266 A \* 6/1998 Willbrandt ..... B65D 1/265  
220/669
- D416,755 S 11/1999 Trombly
- D417,365 S \* 12/1999 Huang ..... D7/511
- D715,100 S 11/2014 Eyal
- D790,272 S 6/2017 Han
- D801,746 S 11/2017 Thuma et al.
- D802,362 S 11/2017 Spivey et al.
- D803,619 S 11/2017 Seiders et al.
- D803,684 S \* 11/2017 Seiders ..... D9/449
- D808,218 S \* 1/2018 Seiders ..... D7/510











(56)

**References Cited**

## OTHER PUBLICATIONS

'engelcoolers.com' "Engel 30oz Stainless Steel Vacuum Insulated Tumbler," Published on or before Sep. 28, 2017, Retrieved from the Internet: URL<<https://www.engelcoolers.com/engel-30oz-tumbler.html>>. 5 pages.

'giftshop.stjude.org' [online]. "Double Wall 30oz. Tumbler," Published on or before Sep. 28, 2017, Retrieved from the Internet: URL<<http://giftshop.stjude.org/for-home/mugs-tumblers/double-wall-30oz-tumbler.html>>. 2 pages.

'healthyhumanlife.com' [online]. "Healthy Human Stainless Steel Insulated Cruiser Tumblers," Published on or before Sep. 28, 2017, Retrieved from the Internet: URL<<https://healthyhumanlife.com/product/20-oz-cruiser-tumbler/>>. 8 pages.

'heb.com' [online]. "KODI Stainless Steel Tumbler," Published on or before Sep. 28, 2017, Retrieved from the Internet: URL<<https://www.heb.com/product-detail/kodi-stainless-steel-tumbler/2042690>>. 4 pages.

'jlaudio.com' [online]. "30 oz. Stainless Steel Tumbler," Published on or before Sep. 28, 2017, Retrieved from the Internet: URL<<http://www.jlaudio.com/gear-accessories-tumbler#ReviewHeader>>. 2 pages.

'kohls.com' [online]. "BYO 30-oz. Vacuum Insulated Tumbler," Published on or before Sep. 28, 2017, Retrieved from the Internet: URL<<https://www.kohls.com/product/prd-2866260/built-30-oz-vacuum-insulated-tumbler.jsp>>. 4 pages.

'MyBevi.com' [online]. "Café Traveler Lid—MyBevi™ | Premium Tumblers, Mugs and Innovative Drinkware," Published on or before Aug. 23, 2017, Retrieved from the Internet: URL<<http://www.mybevi.com/products/product/cafes-traveler-lid/>>. 3 pages.

'pelican.com' [online]. "SD22 Drinkware—Traveler Tumbler | 22oz with Slide Lid," Published on or before Sep. 28, 2017, Retrieved from the Internet: URL<<http://www.pelican.com/us/en/product/drinkware-traveler-tumblers/traveler-tumbler/22oz-with-slide-lid/SD22/>>. 2 pages.

'shop.magnoliamarket.com' [online]. "Magnolia Vacuum Tumbler—Magnolia," Published on or before Sep. 28, 2017, Retrieved from the Internet: URL<<https://shop.magnoliamarket.com/products/magnolia-vacuum-tumbler#recommendations>>. 7 pages.

'simplemodern.com' [online]. "Journey Travel Mug—Simple Modern," Published on or before Sep. 28, 2017, Retrieved from the Internet: URL<<https://www.simplemodern.com/collections/insulated-stainless-steel-tumblers/products/journey-travel-mug-with-closing-lid?variant=48121896276>>. 2 pages.

'Target.com' [online]. "Bubba® Hero Travel Mug 20oz Stainless Steel—Charcoal," Published on or before Aug. 23, 2017, Retrieved from the Internet: URL<<https://www.target.com/p/bubba-174-hero-travel-mug-20oz-stainless-steel-charcoal/-/A-51022377#Ink=newtab>>. 3 pages.

'Target.com' [online]. "Contigo SnapSeal® 16oz Stainless Steel Insulated Byron Travel Mug—Purple," Published on or before Aug. 23, 2017, Retrieved from the Internet: URL<<https://www.target.com/p/contigo-snapseal-174-16oz-stainless-steel-insulated-byron-travel-mug-purple/052471506#Ink=newtab>>. 3 pages.

'target.com' [online]. "nICE Coolers 30oz Tumbler with Straw," Published on or before Sep. 28, 2017, Retrieved from the Internet: URL<[https://www.target.com/p/nice-coolers-30oz-tumbler-with-straw-silver/-/A-51604786?Ink=rec%20ldlp%20search\\_bought%20ldlp%20151604786%2011](https://www.target.com/p/nice-coolers-30oz-tumbler-with-straw-silver/-/A-51604786?Ink=rec%20ldlp%20search_bought%20ldlp%20151604786%2011)>. 4 pages.

'walmart.com' [online]. "Ozark Trail 30-Ounce Double-Wall, Vacuum-Sealed Tumbler," Published on or before Sep. 28, 2017, Retrieved from the Internet: URL<<https://www.walmart.com/ip/Ozark-Trail-30-Ounce-Double-Wall-Vacuum-Sealed-Tumbler/171452737>>. 8 pages.

'yeti.com' [online]. "Rambler 30 oz. Tumbler," Published on or before Sep. 28, 2017, Retrieved from the Internet: URL<<https://www.yeti.com/drinkware/rambler-30-oz-tumbler/YRAM30.html>>. 16 pages.

U.S. Appl. No. 29/614,969, filed Aug. 24, 2017, Jacobsen.

U.S. Appl. No. 29/619,483, filed Sep. 29, 2017, Jacobsen.

U.S. Appl. No. 29/619,494, filed Sep. 29, 2017, Jacobsen.

U.S. Appl. No. 29/619,539, filed Sep. 29, 2017, Jacobsen.

U.S. Appl. No. 29/619,530, filed Sep. 29, 2017, Jacobsen.

U.S. Appl. No. 29/619,531, filed Sep. 29, 2017, Jacobsen.

U.S. Appl. No. 29/619,545, filed Sep. 29, 2017, Jacobsen.

U.S. Appl. No. 29/682,106, filed Mar. 1, 2019, Jacobsen.

\* cited by examiner

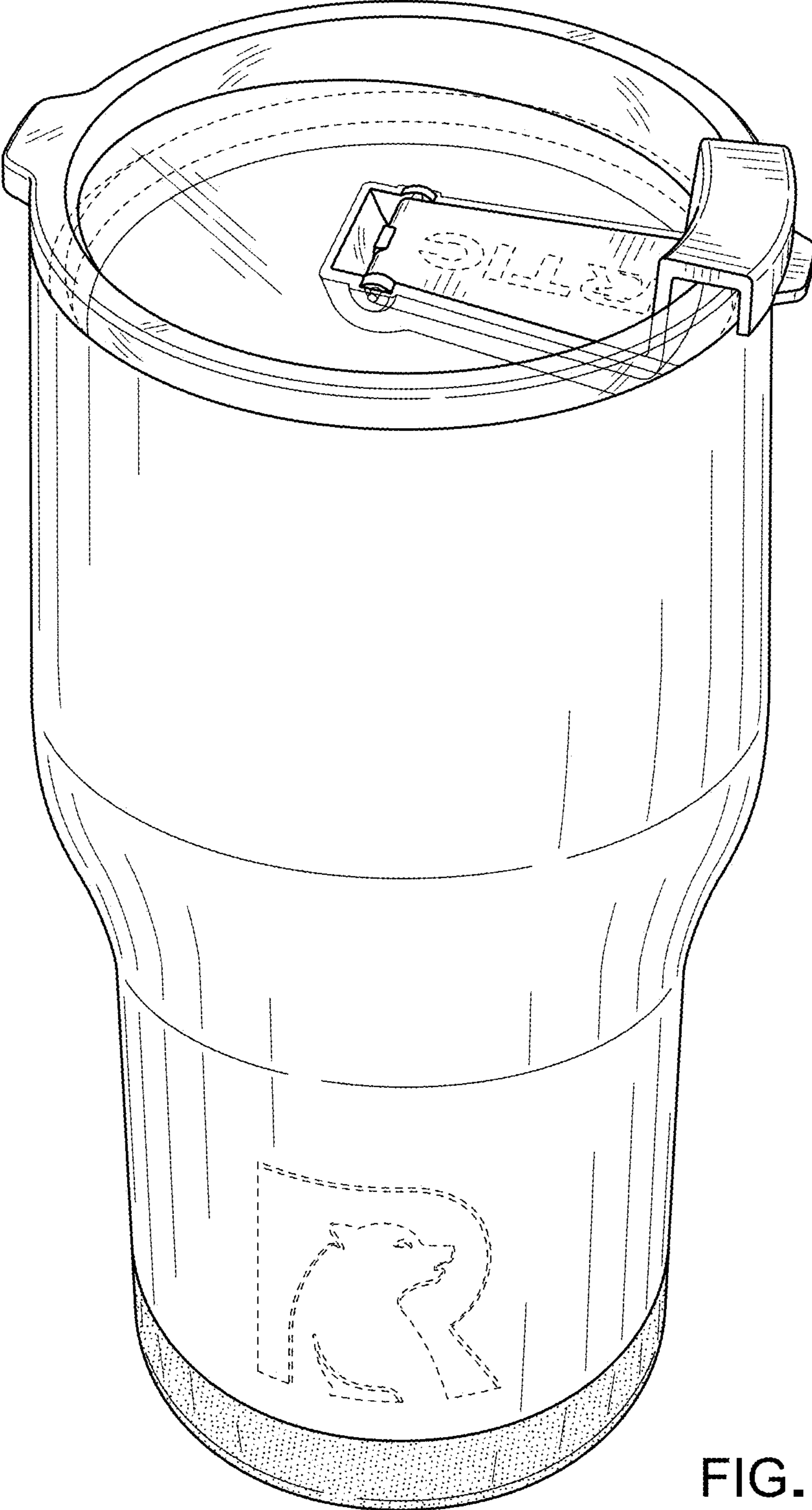


FIG. 1

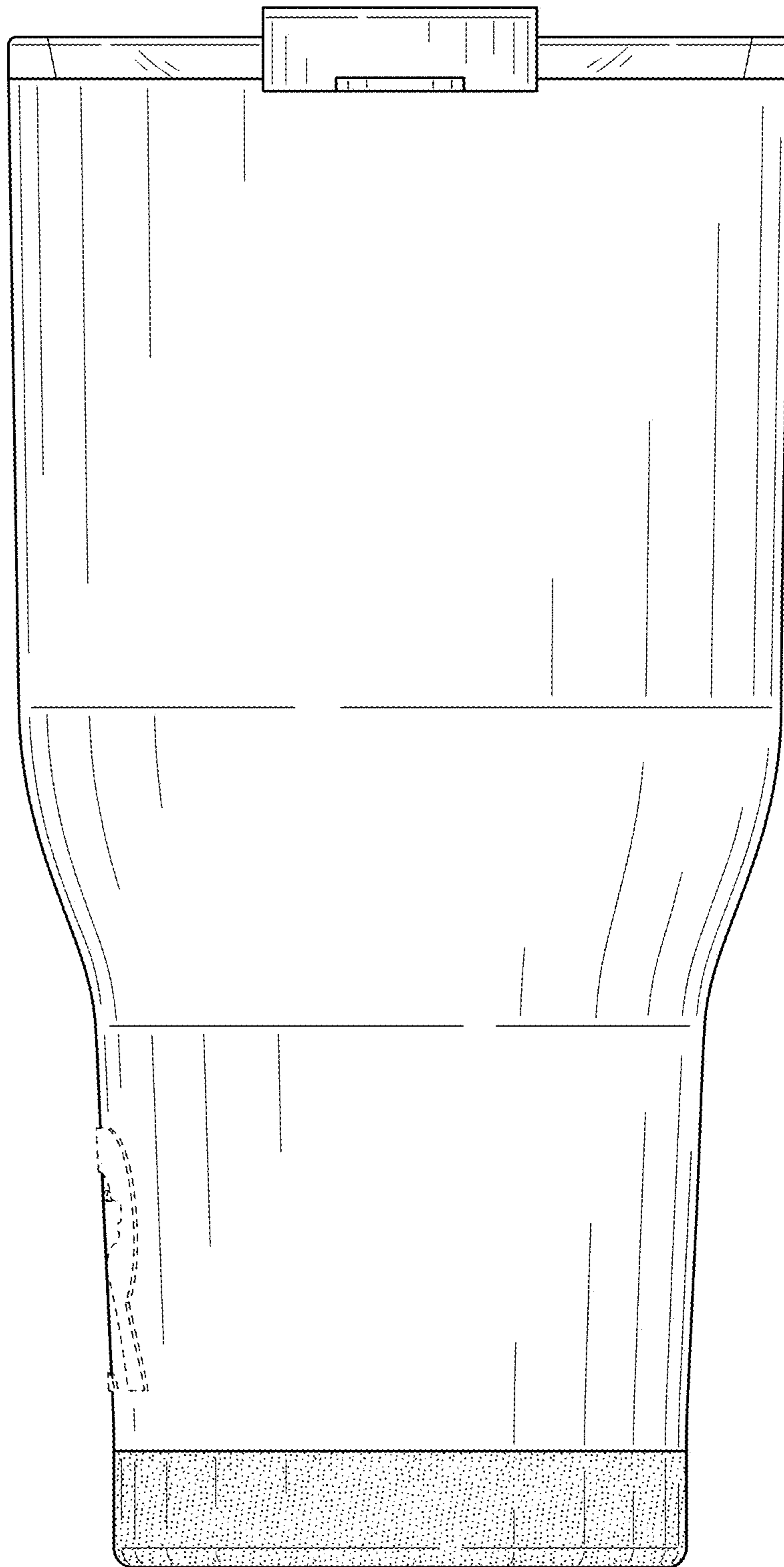


FIG. 2



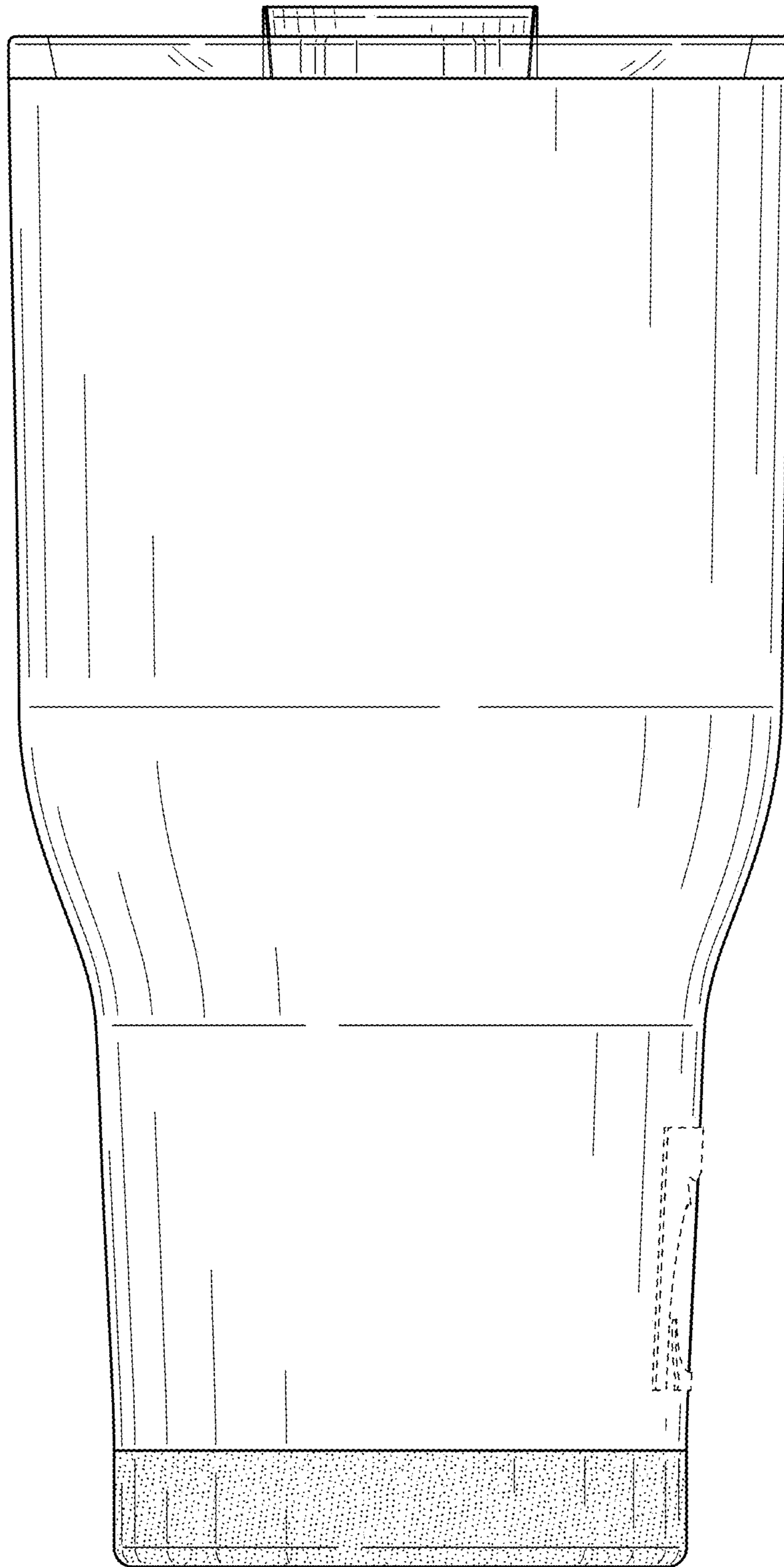


FIG. 3

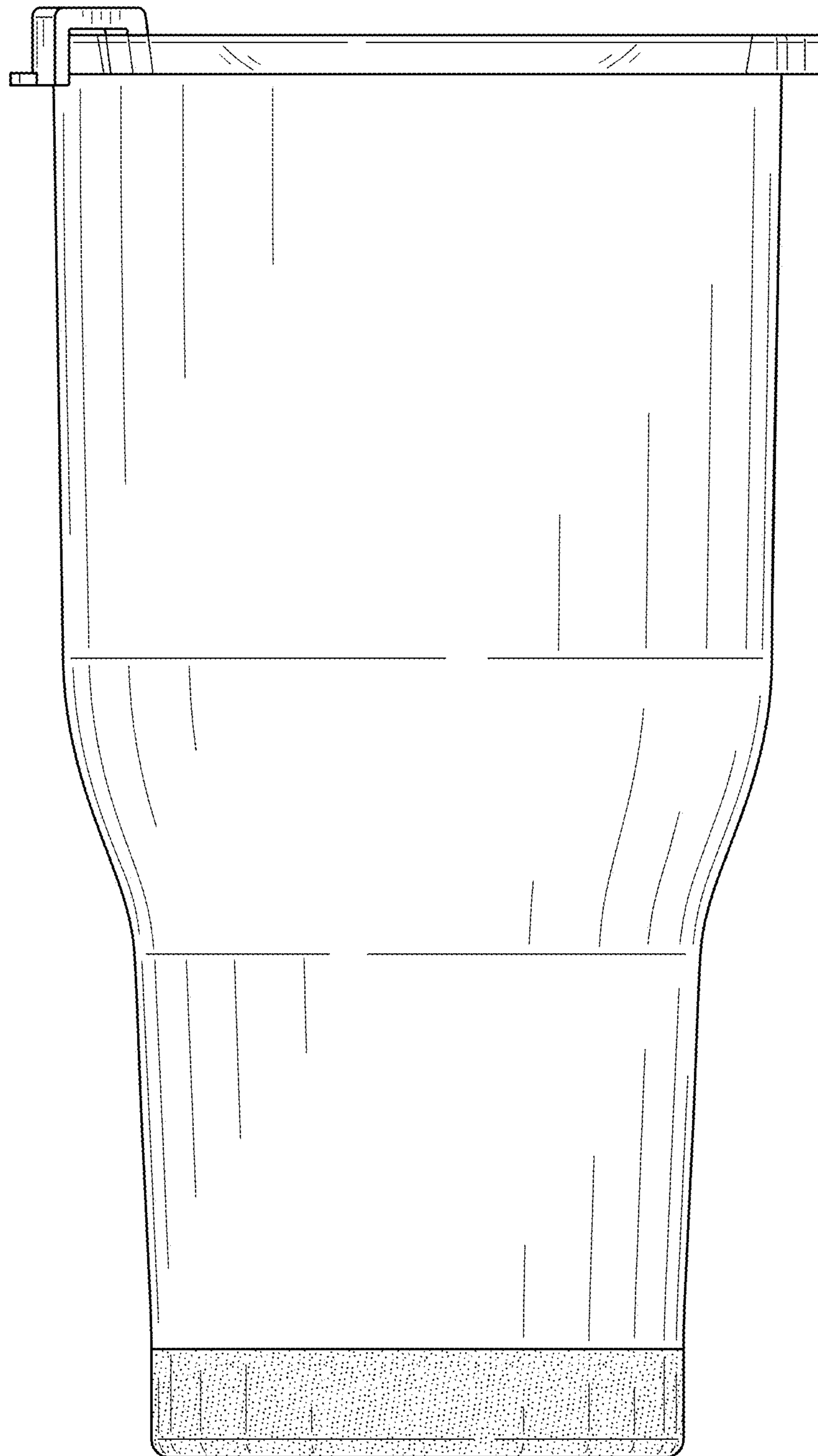


FIG. 4

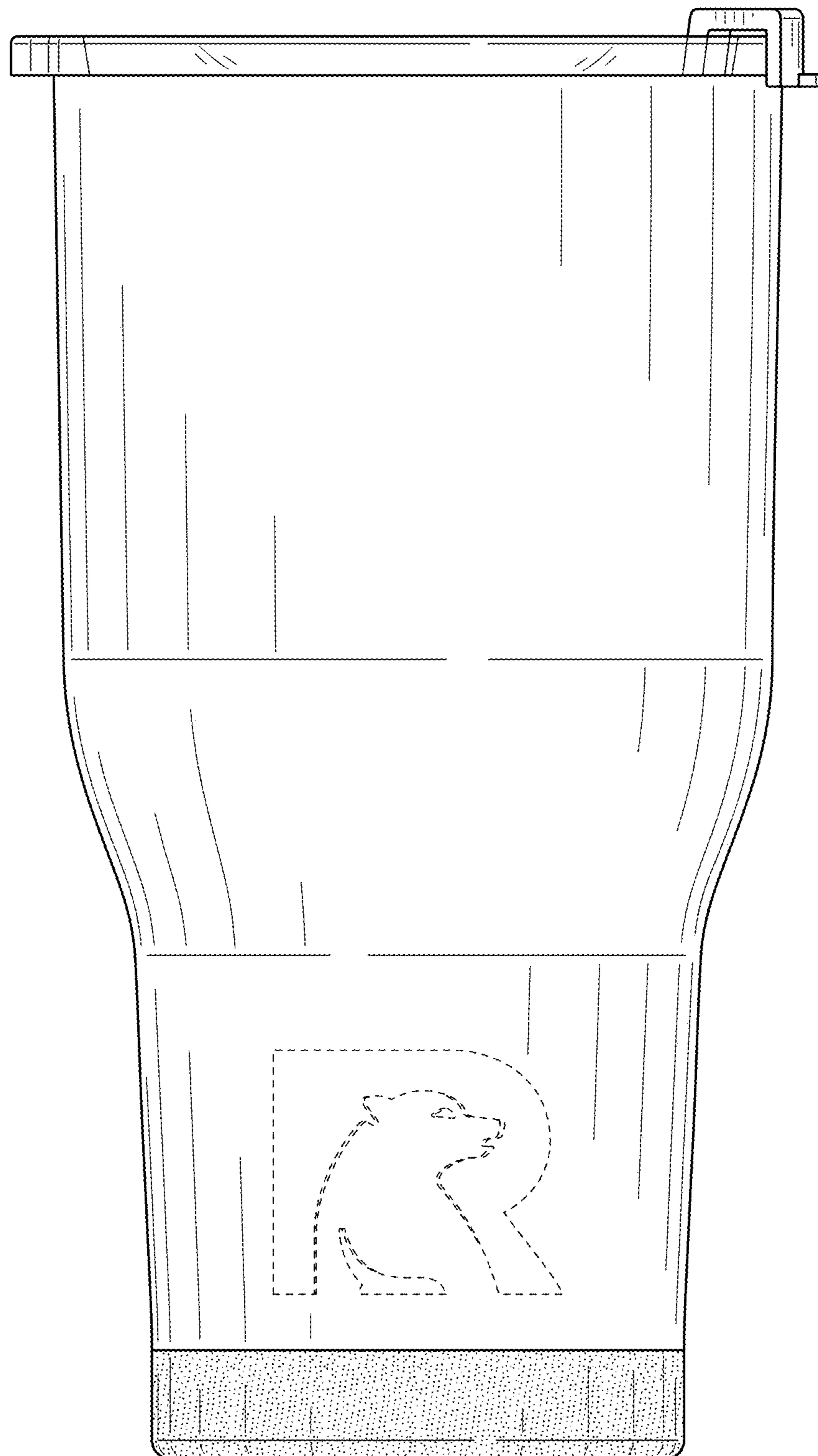


FIG. 5

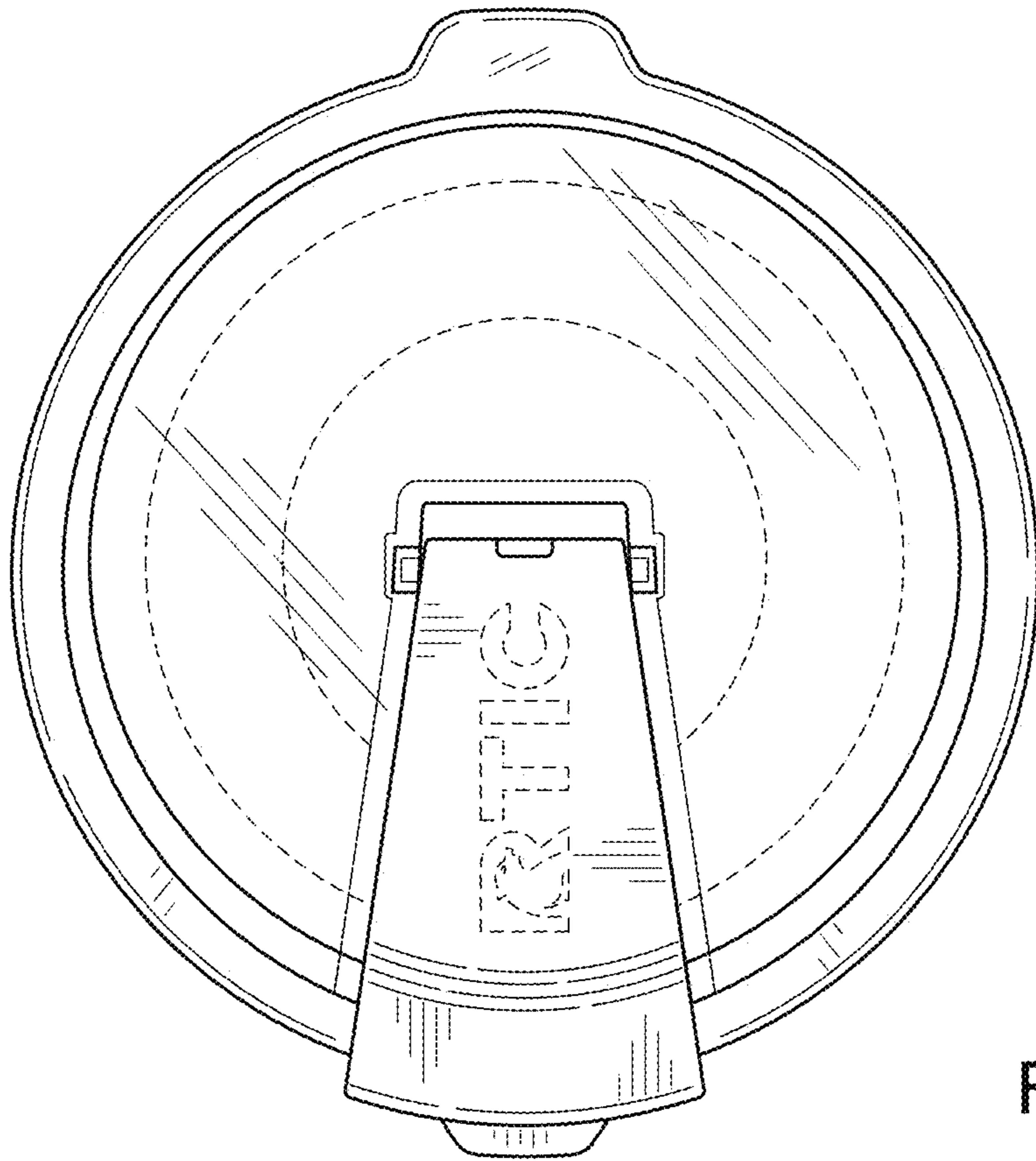


FIG. 6

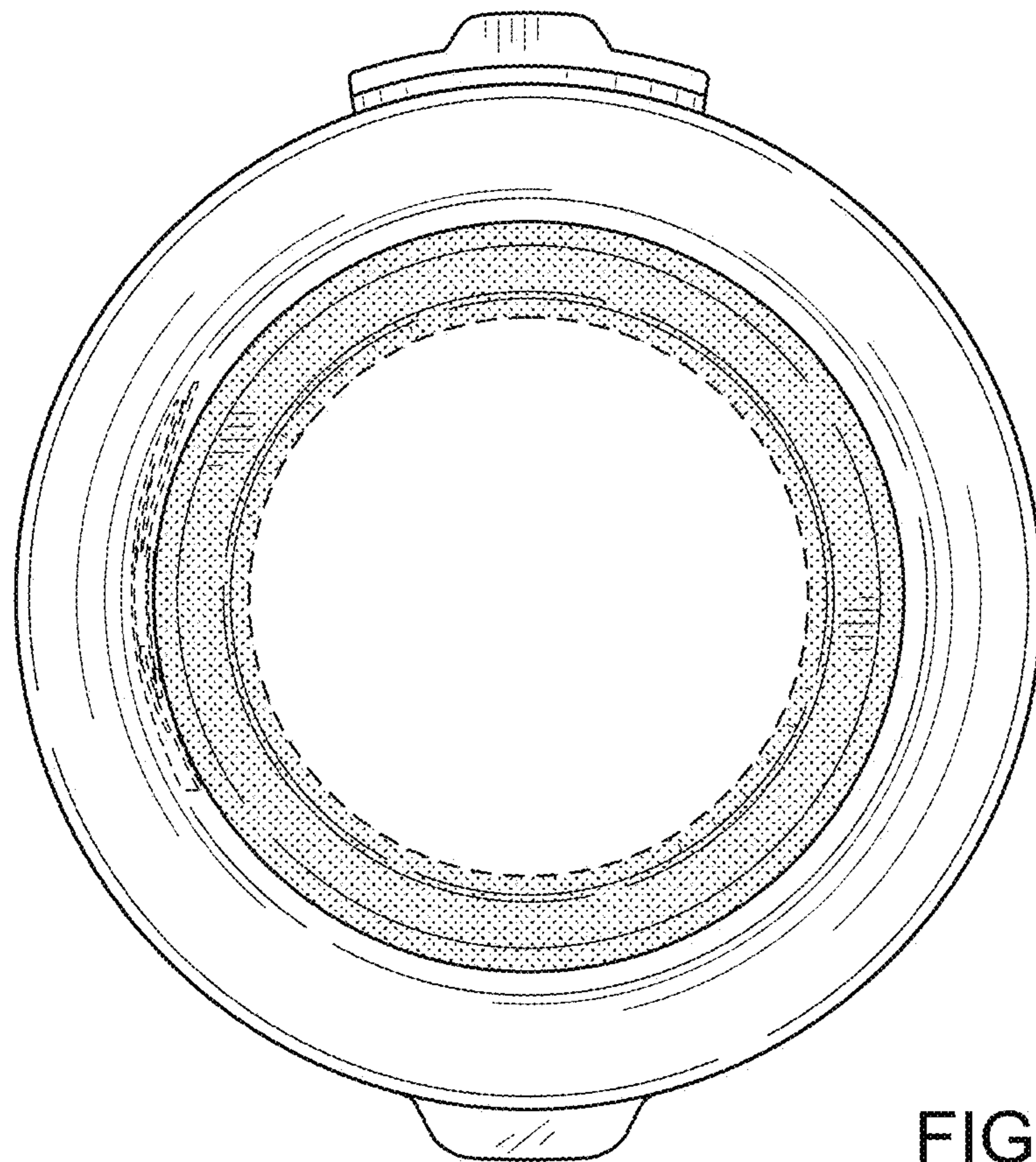


FIG. 7