



US00D899189S

(12) **United States Design Patent**  
**Pan**

(10) **Patent No.:** **US D899,189 S**

(45) **Date of Patent:** **\*\* Oct. 20, 2020**

(54) **KETTLE**

(71) Applicant: **Yuejin Pan**, Huanggang (CN)

(72) Inventor: **Yuejin Pan**, Huanggang (CN)

(\*\*) Term: **15 Years**

(21) Appl. No.: **29/737,963**

(22) Filed: **Jun. 12, 2020**

(51) **LOC (12) Cl.** ..... **07-01**

(52) **U.S. Cl.**  
USPC ..... **D7/510; D7/511; D7/529**

(58) **Field of Classification Search**  
USPC ..... D7/507, 509, 510, 511, 529, 531, 532,  
D7/523, 533, 534, 535, 536, 392.1, 296.1,  
D7/396.2; D9/531, 503, 516, 517, 435;  
D3/202

CPC ..... A47G 19/22; A47G 19/2288; A47G  
19/2205; A47G 19/2266; A45F 3/16

See application file for complete search history.

(56) **References Cited**

**U.S. PATENT DOCUMENTS**

D528,921 S *	9/2006	Leoncavallo	.....	D7/511
D596,460 S *	7/2009	Nezu	.....	D7/510
D772,652 S	11/2016	Yao		
D786,018 S *	5/2017	Willows	.....	D7/510
D798,111 S	9/2017	Yao		
D824,721 S *	8/2018	Hu	.....	D7/392.1
D843,778 S *	3/2019	Yao	.....	D7/392.1
D843,784 S *	3/2019	Black	.....	D7/507
D844,384 S *	4/2019	Potter	.....	D7/510
D853,195 S	7/2019	Chen		
D858,181 S *	9/2019	Lown	.....	D7/392.1
D879,555 S *	3/2020	Wang	.....	D7/510
D892,558 S *	8/2020	Wang	.....	D7/510
D892,561 S *	8/2020	Wang	.....	D7/511
2014/0263324 A1 *	9/2014	Latham	.....	B65D 55/16 220/259.1
2019/0021529 A1 *	1/2019	Schucker	.....	G16H 20/30

**OTHER PUBLICATIONS**

[https://www.amazon.com/Bonison-Various-Capacity-Perfect-Camping/dp/B0155G37US/ref=sr\\_1\\_3?dchild=1&keywords=Bonison+Sports+Water+Bottle+with+Flip+Top+Lid&qid=1597352812&sr=8-3](https://www.amazon.com/Bonison-Various-Capacity-Perfect-Camping/dp/B0155G37US/ref=sr_1_3?dchild=1&keywords=Bonison+Sports+Water+Bottle+with+Flip+Top+Lid&qid=1597352812&sr=8-3) (Year: 2018).\*

[https://www.amazon.com/dp/B076C4VZ58/ref=sspa\\_dk\\_detail\\_2?sc=1&pd\\_rd\\_i=B076C4VZ58&pd\\_rd\\_w=ixSiz&pf\\_rd\\_p=f0355a48-7e73-489a-9590-564e12837b93&pd\\_rd\\_wg=Y6tp5&pf\\_rd\\_r=RP9A16DR50V0KBHFW86V&pd\\_rd\\_r=105e7361-9af3-4811-84b6-cd56ab6fcc7c&spLa=ZW5jenIwdGVkUXVhbGImaWVyPUEwTEKzSkVBOEg2S0tQJmVuY3J5cHRIZEIkPUEwMzM](https://www.amazon.com/dp/B076C4VZ58/ref=sspa_dk_detail_2?sc=1&pd_rd_i=B076C4VZ58&pd_rd_w=ixSiz&pf_rd_p=f0355a48-7e73-489a-9590-564e12837b93&pd_rd_wg=Y6tp5&pf_rd_r=RP9A16DR50V0KBHFW86V&pd_rd_r=105e7361-9af3-4811-84b6-cd56ab6fcc7c&spLa=ZW5jenIwdGVkUXVhbGImaWVyPUEwTEKzSkVBOEg2S0tQJmVuY3J5cHRIZEIkPUEwMzM) (Year: 2018).\*

\* cited by examiner

*Primary Examiner* — Jae Liang

(74) *Attorney, Agent, or Firm* — ScienBiziP, P.C.

(57) **CLAIM**

The ornamental design for a kettle, as shown and described.

**DESCRIPTION**

FIG. 1 is a front and right perspective view of a kettle, showing my design.

FIG. 2 is a back and left perspective view thereof.

FIG. 3 is a front elevation view thereof.

FIG. 4 is a rear elevation view thereof.

FIG. 5 is a left side elevation view thereof.

FIG. 6 is a right side elevation view thereof.

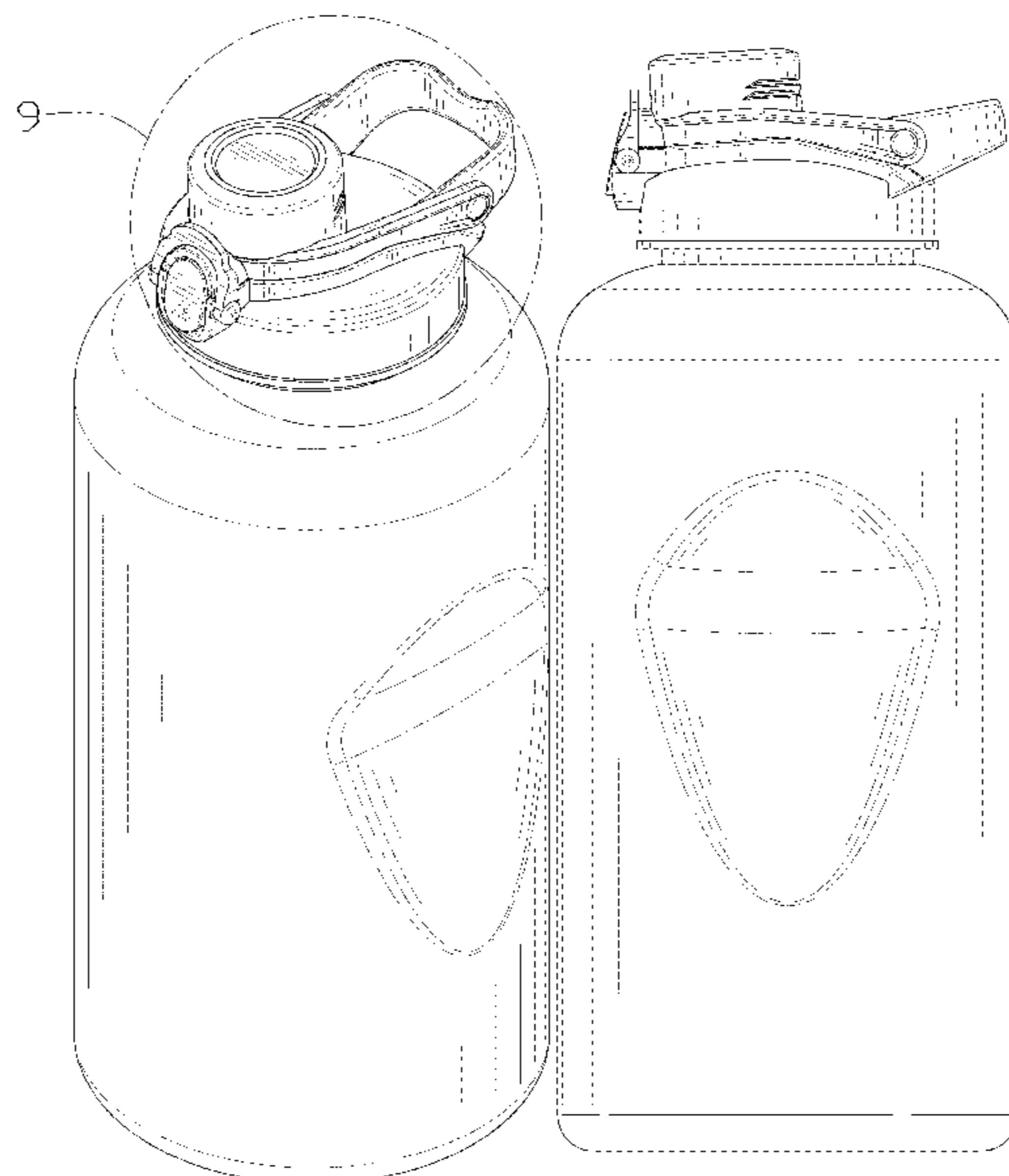
FIG. 7 is a top plan view thereof.

FIG. 8 is a bottom plan view thereof; and,

FIG. 9 is an enlarged view of an area labeled 9 in FIG. 1.

The broken lines are for environmental structure, boundaries, or illustrative purposes only and form no part of the claimed designs to be patented.

**1 Claim, 9 Drawing Sheets**



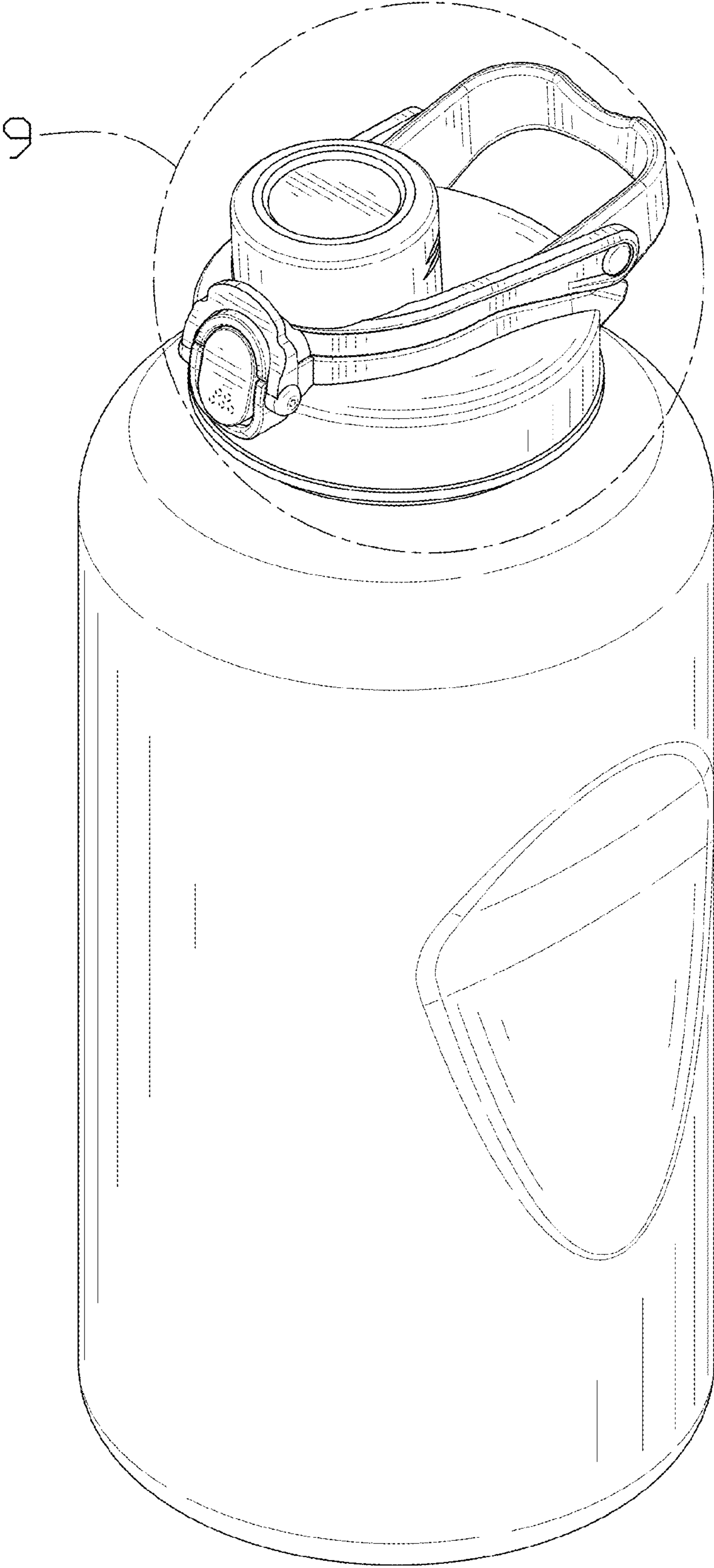


FIG. 1

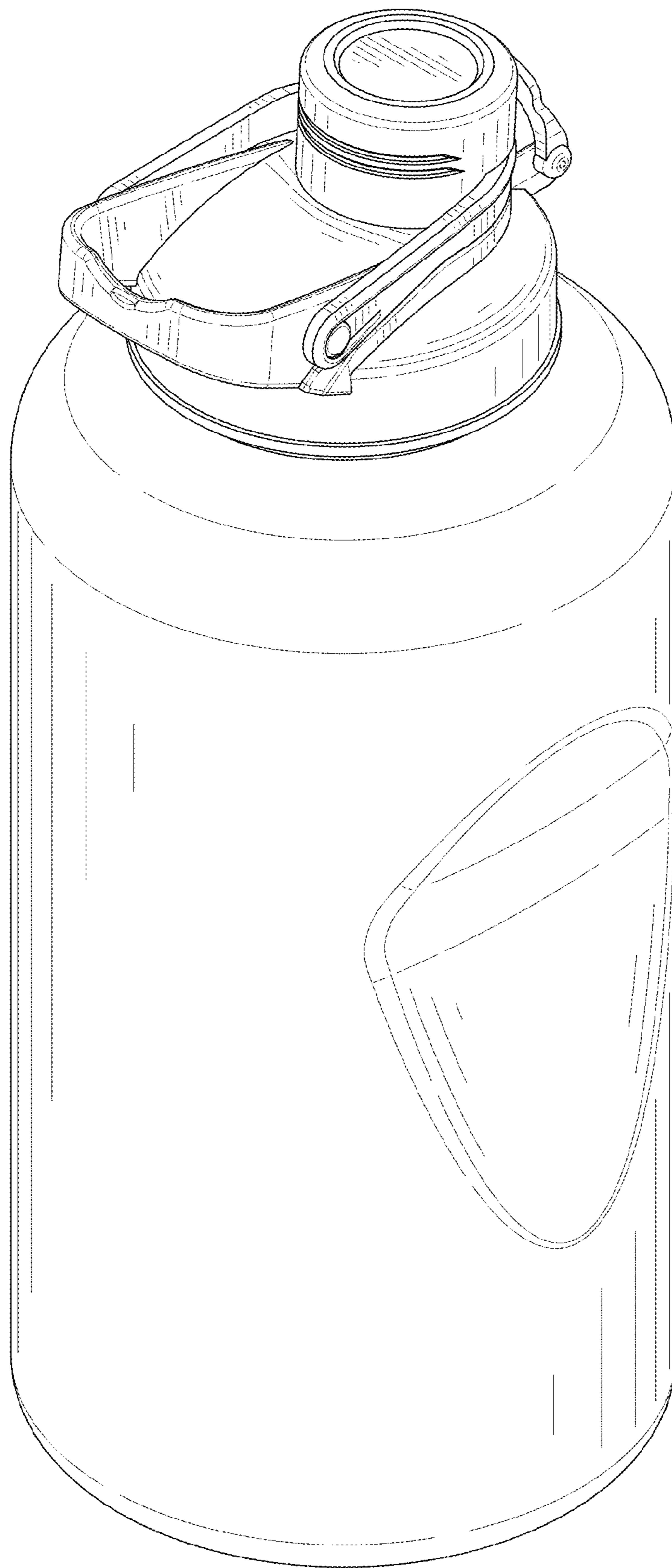


FIG. 2

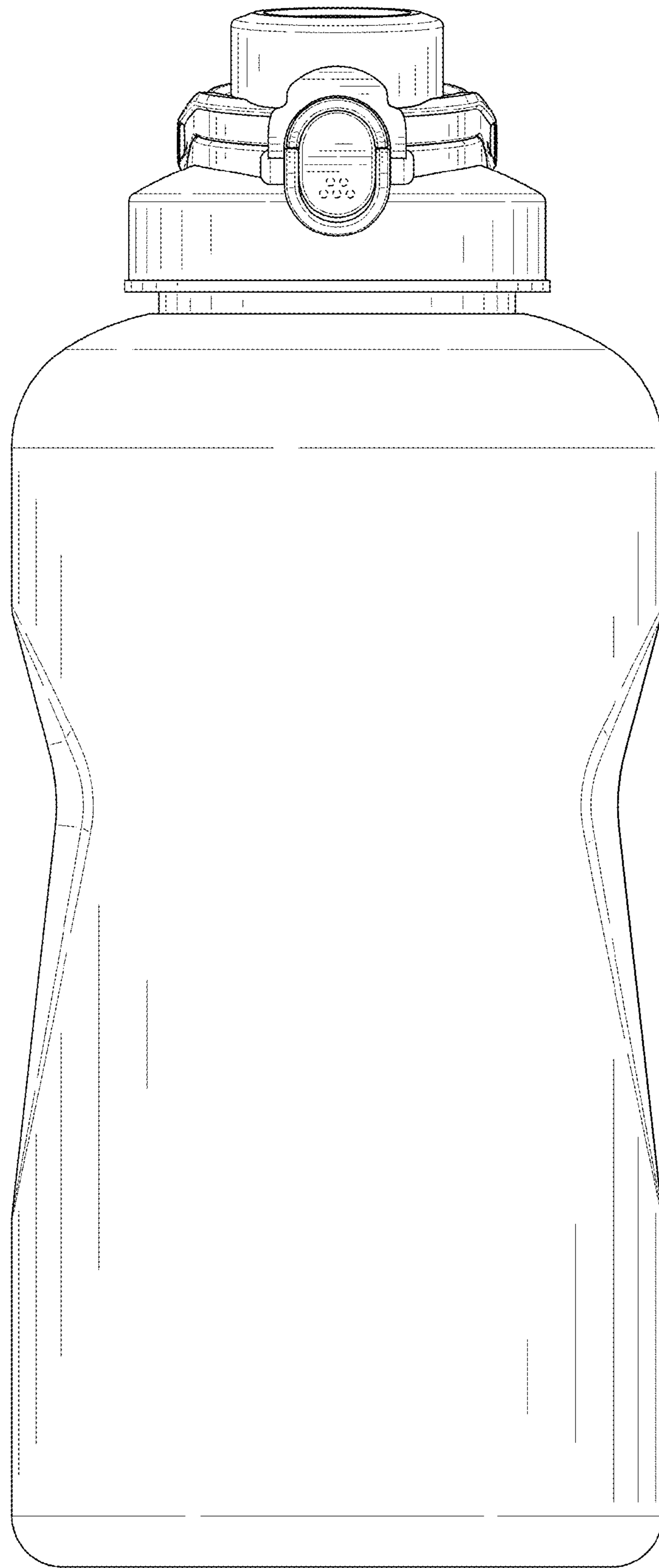


FIG. 3

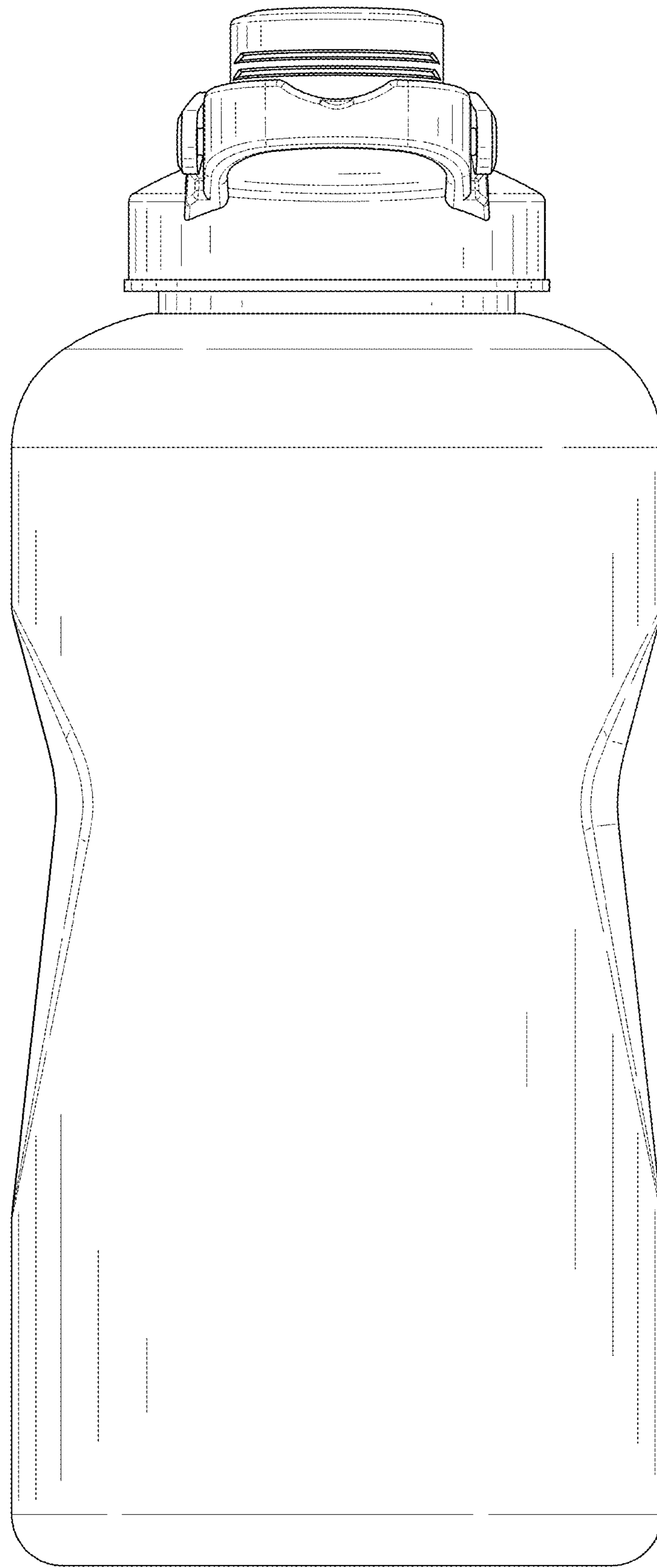


FIG. 4

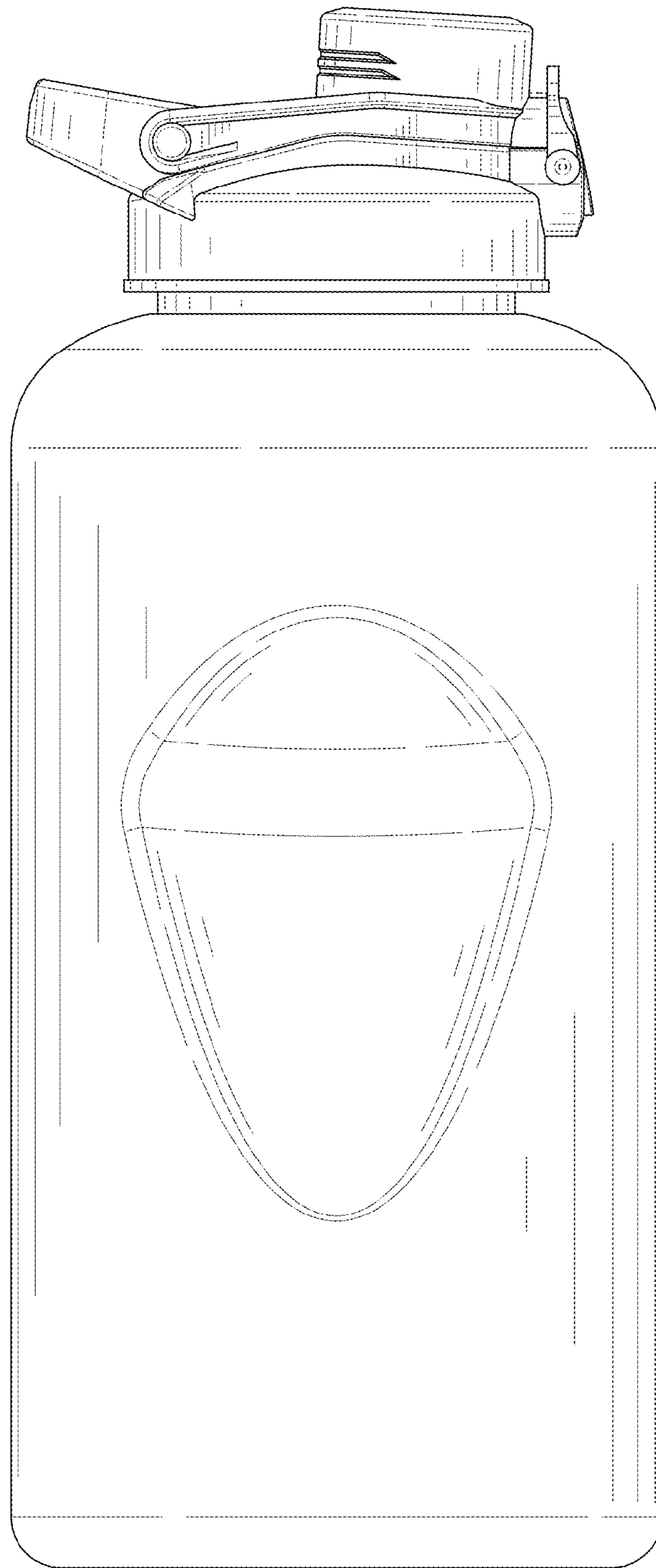


FIG. 5

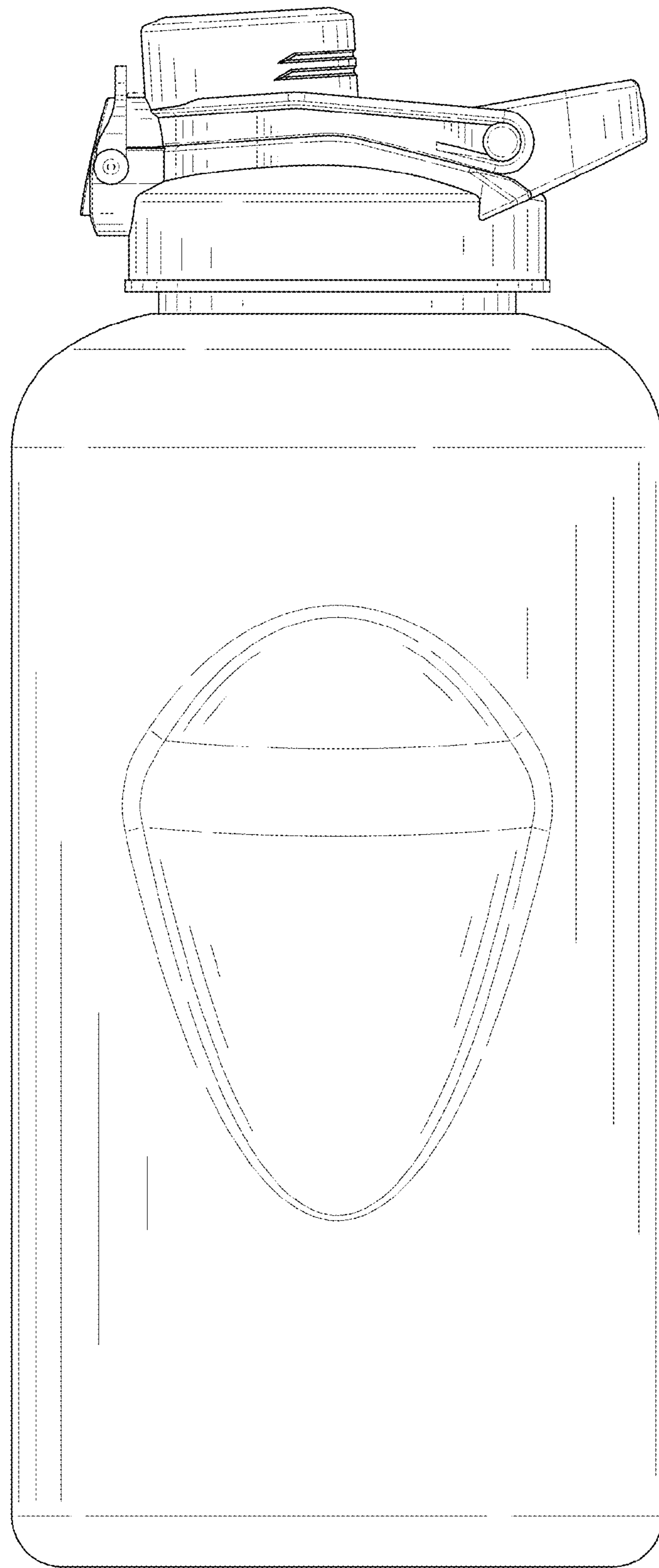


FIG. 6

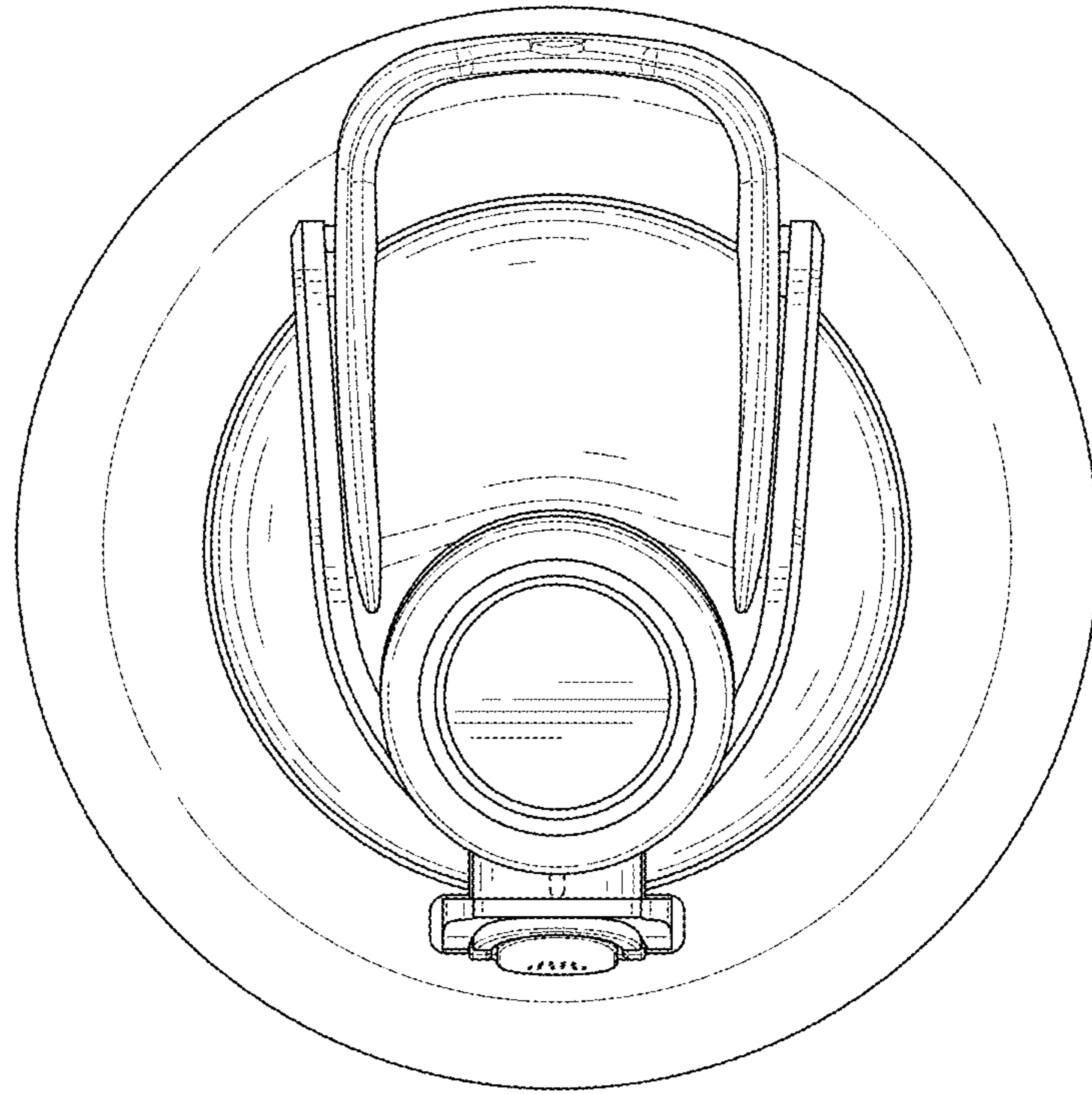


FIG. 7



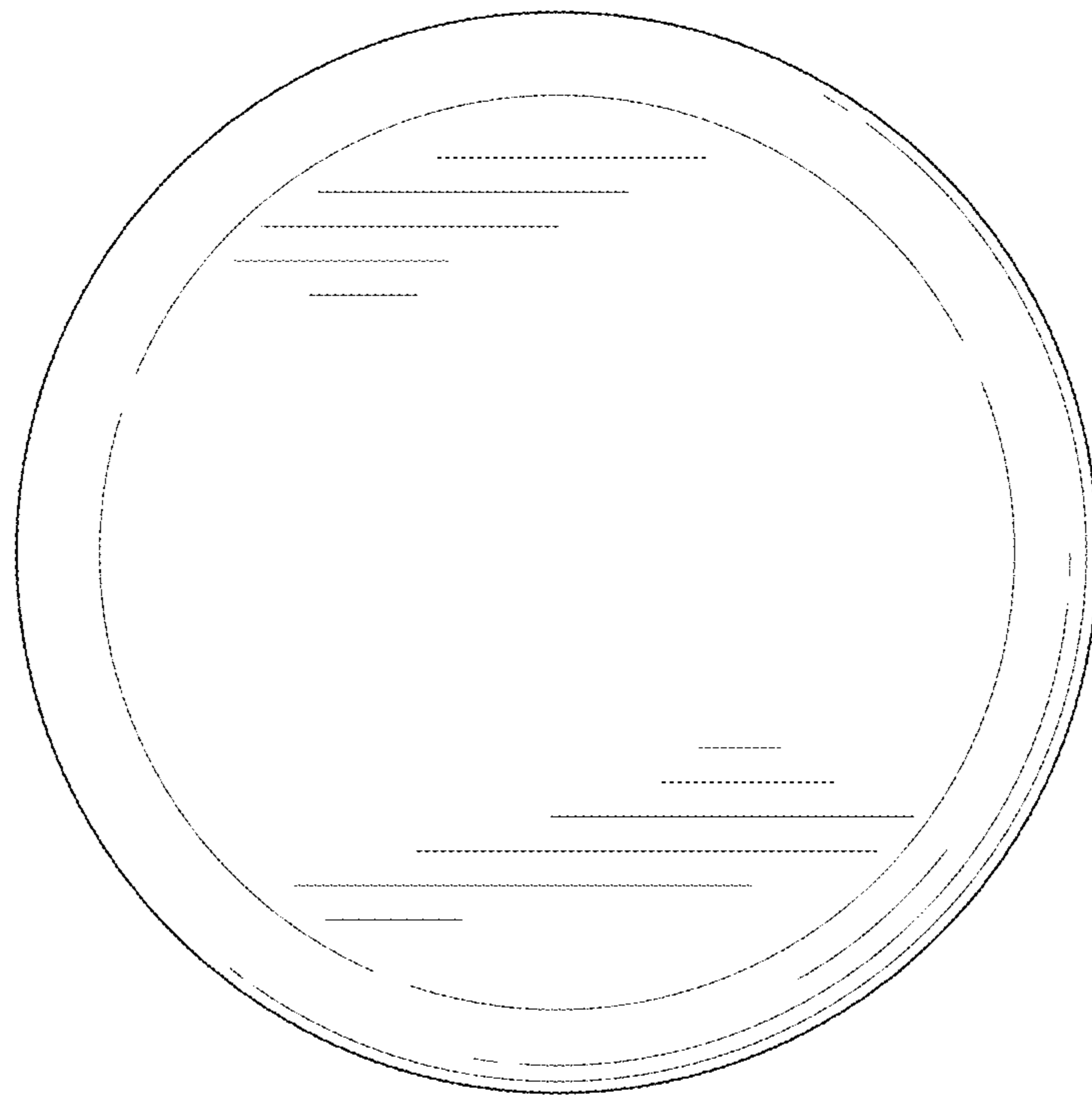


FIG. 8

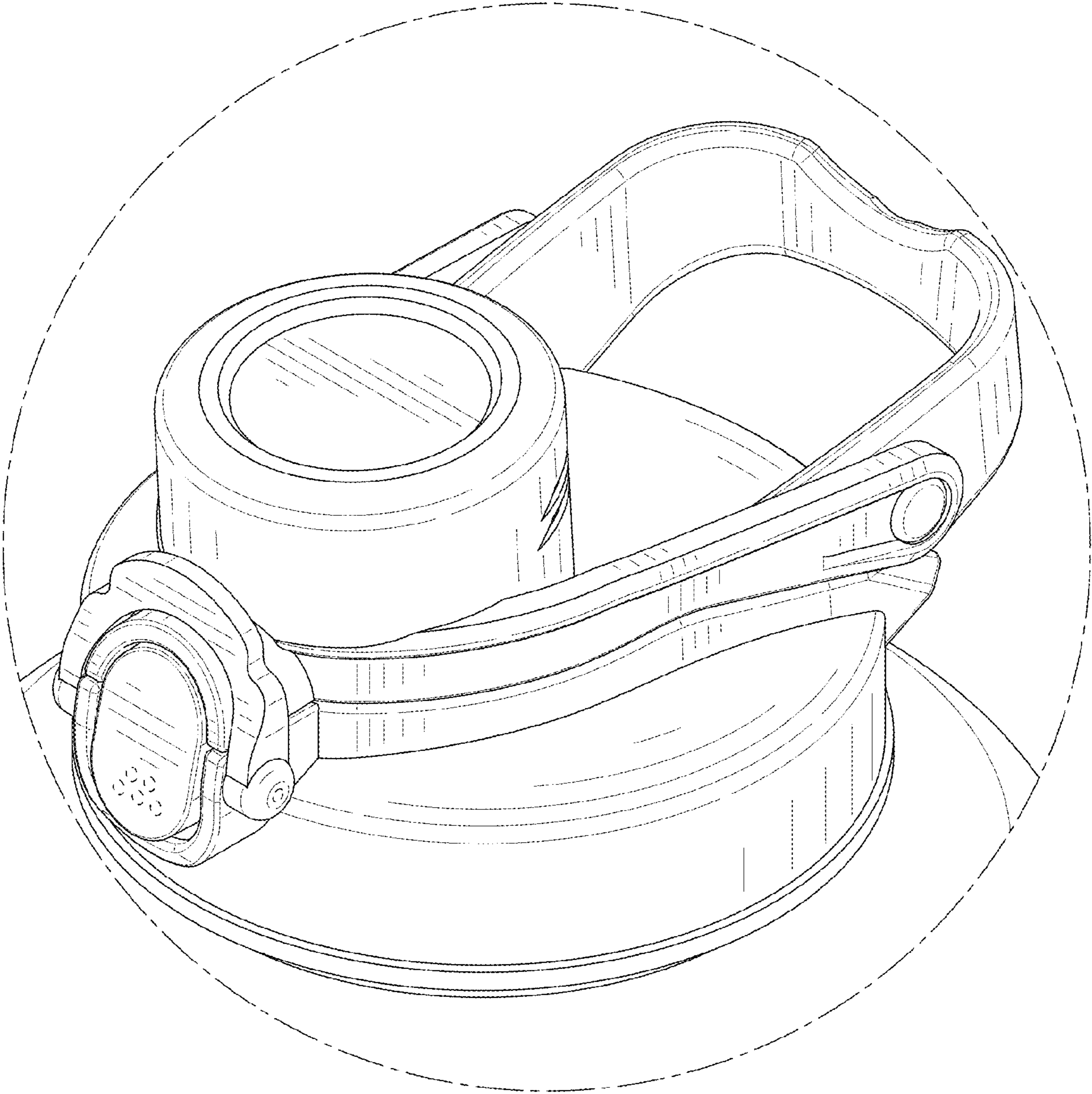


FIG. 9