



US00D899188S

(12) **United States Design Patent**
Wang et al.

(10) **Patent No.:** **US D899,188 S**
(45) **Date of Patent:** **** Oct. 20, 2020**

(54) **WATER BOTTLE**

(71) Applicant: **SHEN ZHEN QUICK FIT PLASTIC CO., LTD.**, Shenzhen (CN)

(72) Inventors: **Qi Wang**, Shenzhen (CN); **Hui Kang**, Shenzhen (CN)

(**) Term: **15 Years**

(21) Appl. No.: **29/736,058**

(22) Filed: **May 27, 2020**

(30) **Foreign Application Priority Data**

Apr. 27, 2020 (CN) 2020 3 0179614

(51) **LOC (12) Cl.** **07-01**

(52) **U.S. Cl.**
USPC **D7/510; D7/511; D7/529**

(58) **Field of Classification Search**
USPC D7/507, 509, 510, 511, 529, 531, 532,
D7/523, 533, 534, 535, 536, 392.1, 296.1,
D7/396.2; D9/531, 503, 516, 517, 435;
D3/202

CPC A47G 19/22; A47G 19/2288; A47G
19/2205; A47G 19/2266; A45F 3/16

See application file for complete search history.

(56) **References Cited**

U.S. PATENT DOCUMENTS

D596,460 S * 7/2009 Nezu D7/510
RE42,484 E * 6/2011 Kitamura D7/510
D807,110 S 1/2018 Lown
D817,713 S * 5/2018 Lin D7/510
D848,787 S * 5/2019 Tatsukawa D7/392.1

D865,457 S * 11/2019 Kotani D7/608
D875,479 S 2/2020 Seiders et al.
D889,910 S * 7/2020 Wang D7/511
2019/0021529 A1* 1/2019 Schucker G16H 20/30

* cited by examiner

Primary Examiner — Jae Liang

(74) *Attorney, Agent, or Firm* — Erson IP (Nelson IP)

(57) **CLAIM**

The ornamental design for a water bottle, as shown and described.

DESCRIPTION

FIG. 1 is the first perspective view of a wafer bottle showing our new design;

FIG. 2 is the second perspective view thereof;

FIG. 3 is a third perspective view thereof, showing the design in its open position;

FIG. 4 is a perspective thereof with the lid shown separately to show aspects of the design that may not be apparent in the other views;

FIG. 5 is a right side view thereof of open state of the design of FIG. 8, showing the design in its open position and the handle feature in an alternative configuration;

FIG. 6 is a front view thereof;

FIG. 7 is a rear view thereof;

FIG. 8 is a right side view thereof;

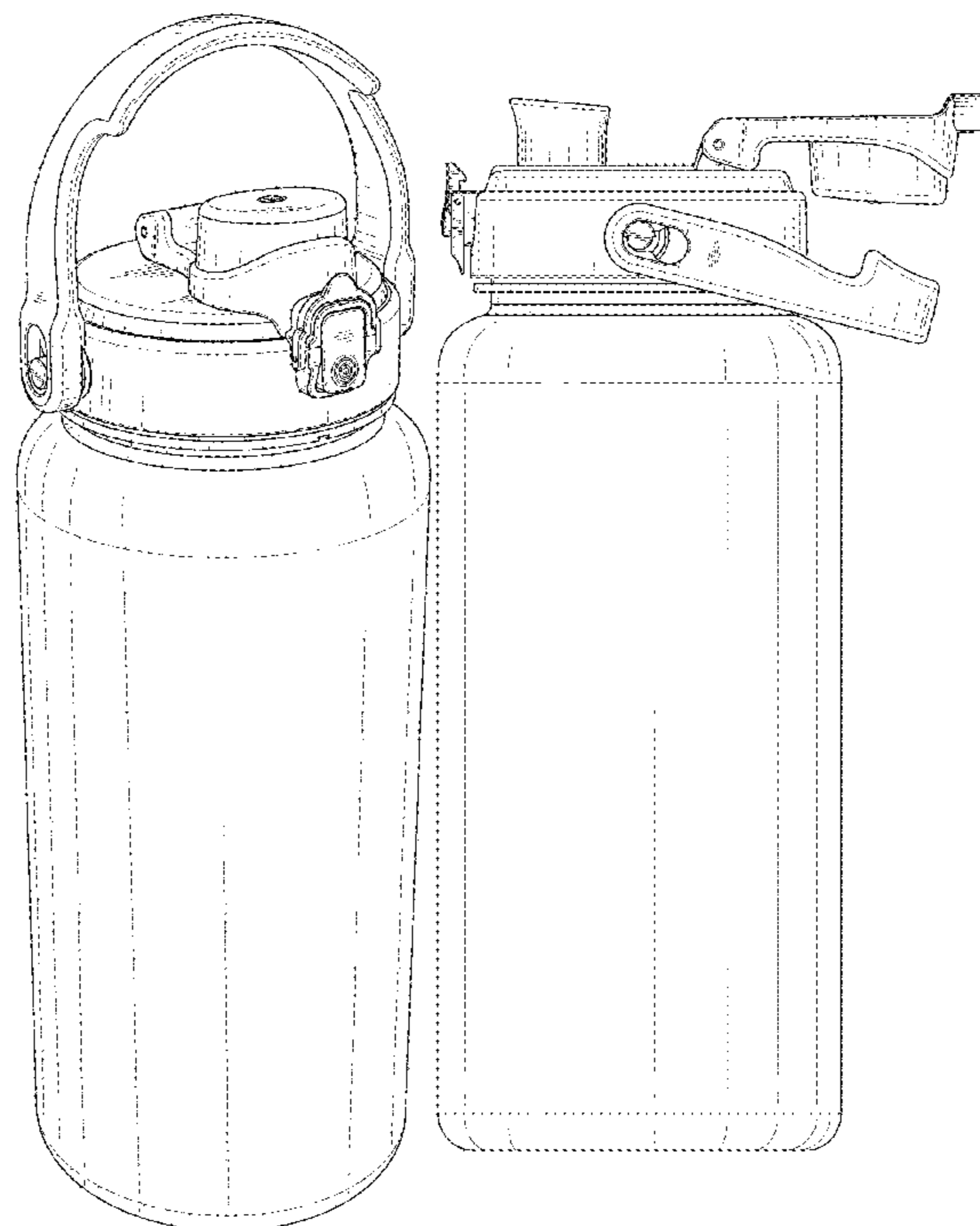
FIG. 9 is a left side view thereof;

FIG. 10 is a top plan view thereof; and,

FIG. 11 is a bottom plan view thereof.

The broken lines in the figures illustrate portions of the water bottle that form no part of the claimed design.

1 Claim, 11 Drawing Sheets



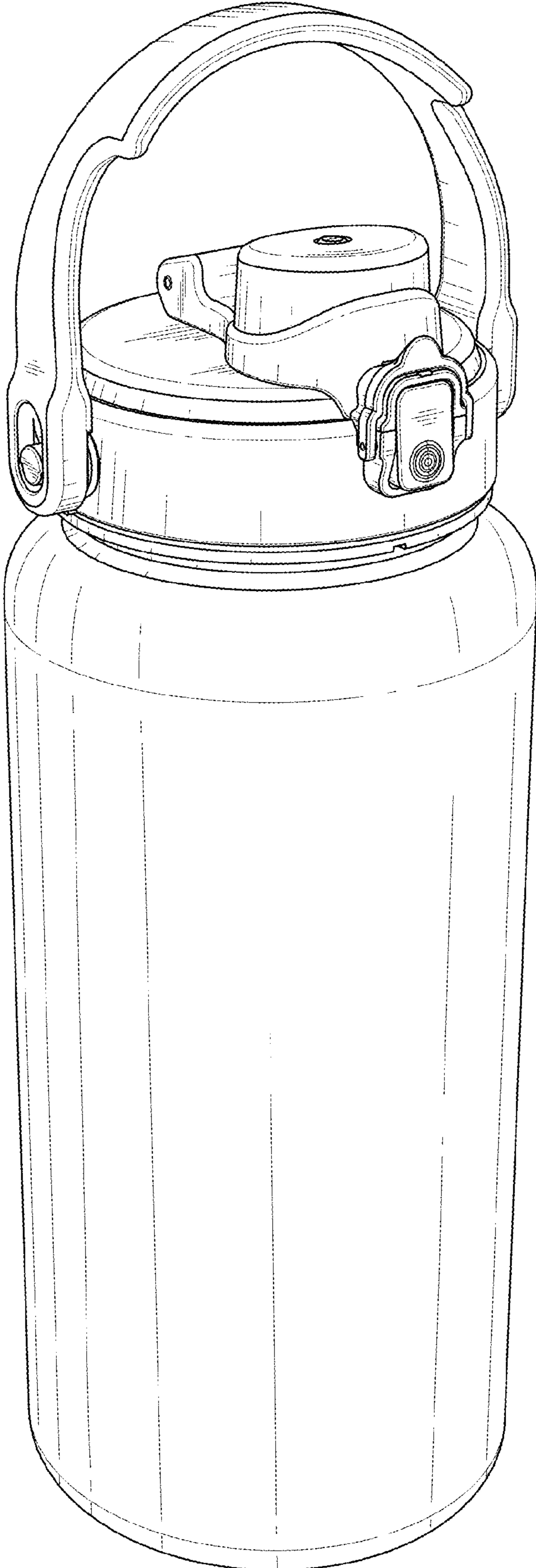


FIG. 1

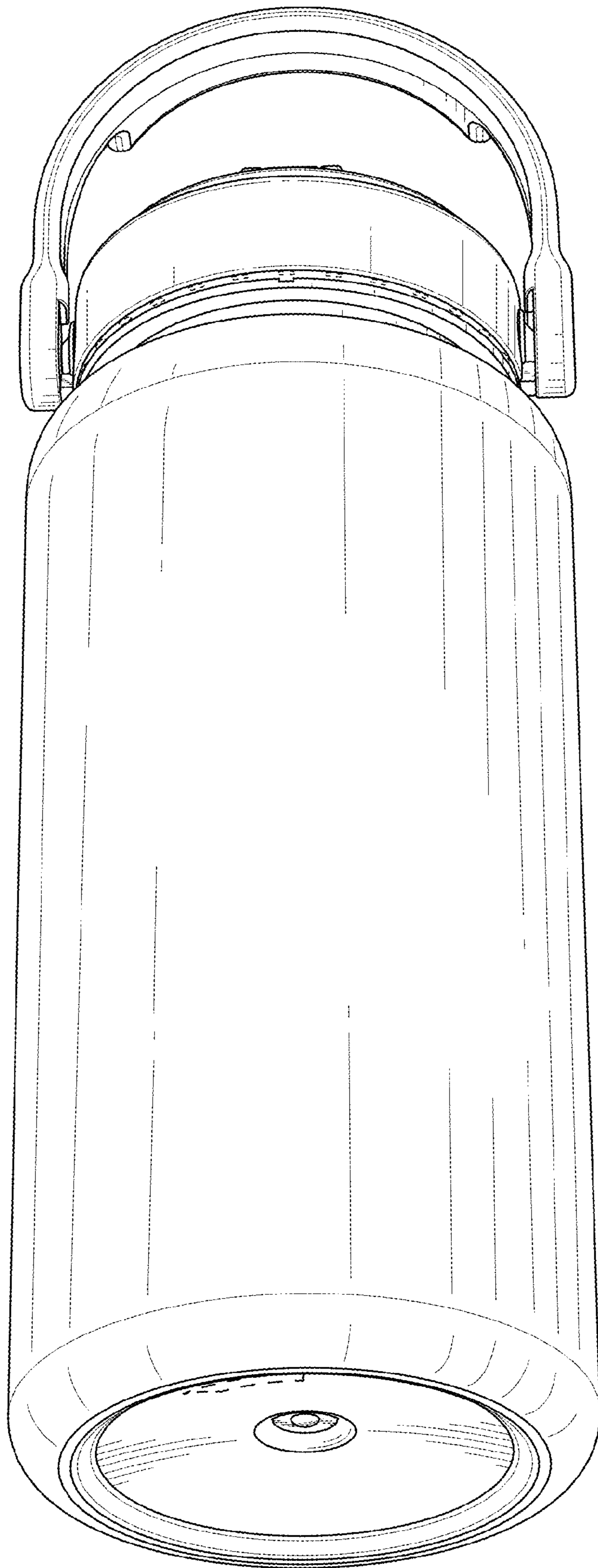


FIG. 2

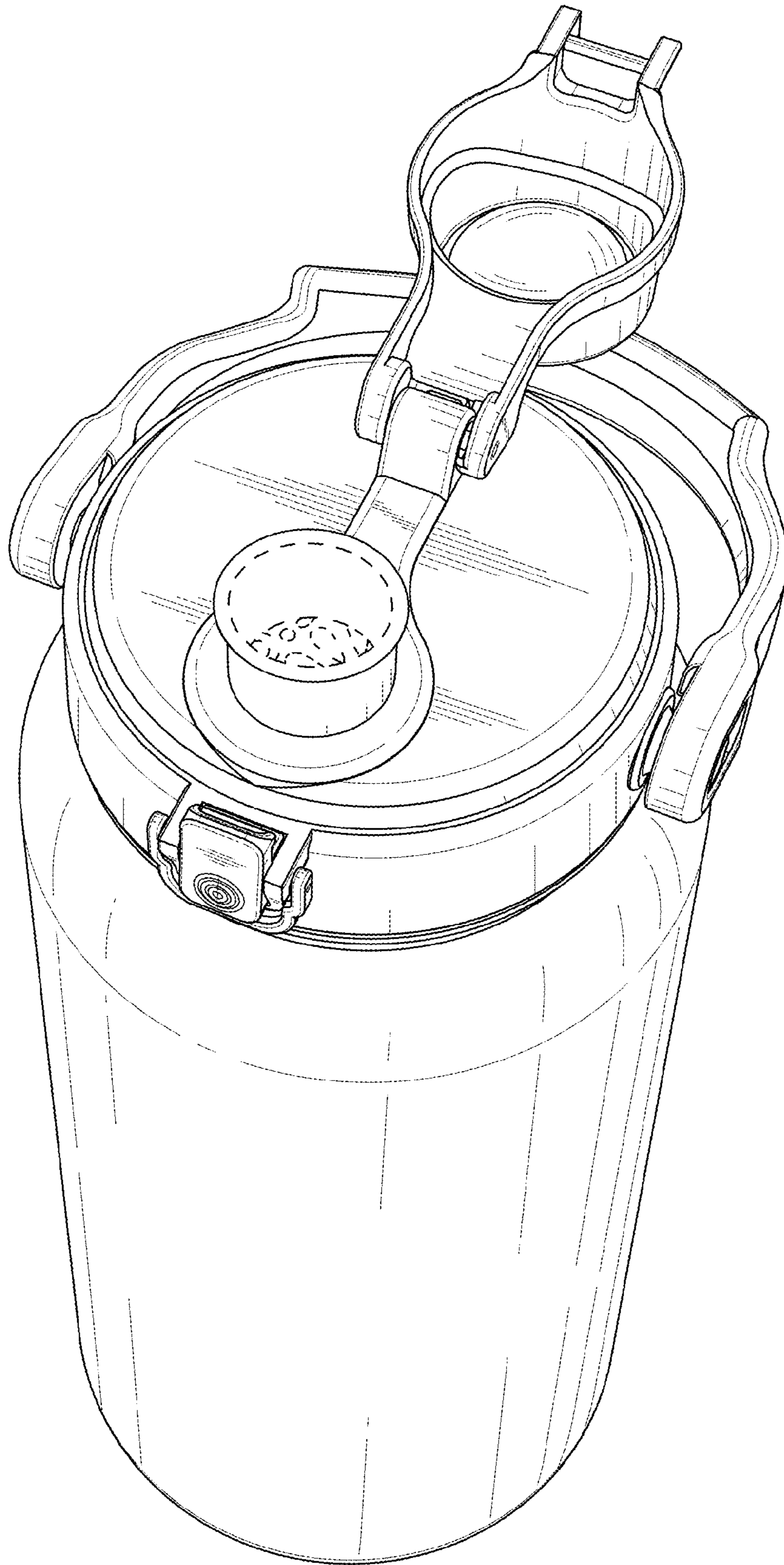


FIG. 3

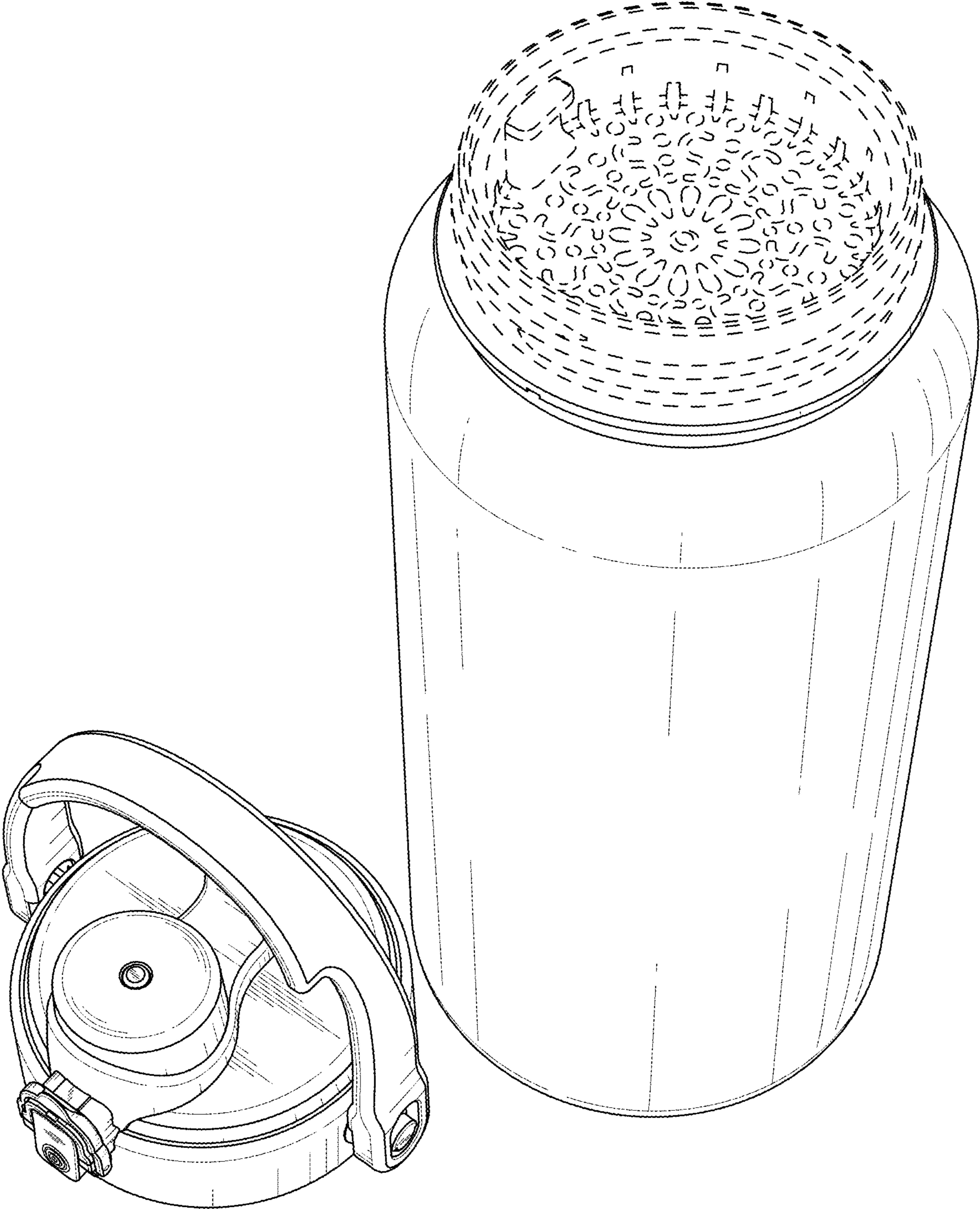


FIG. 4

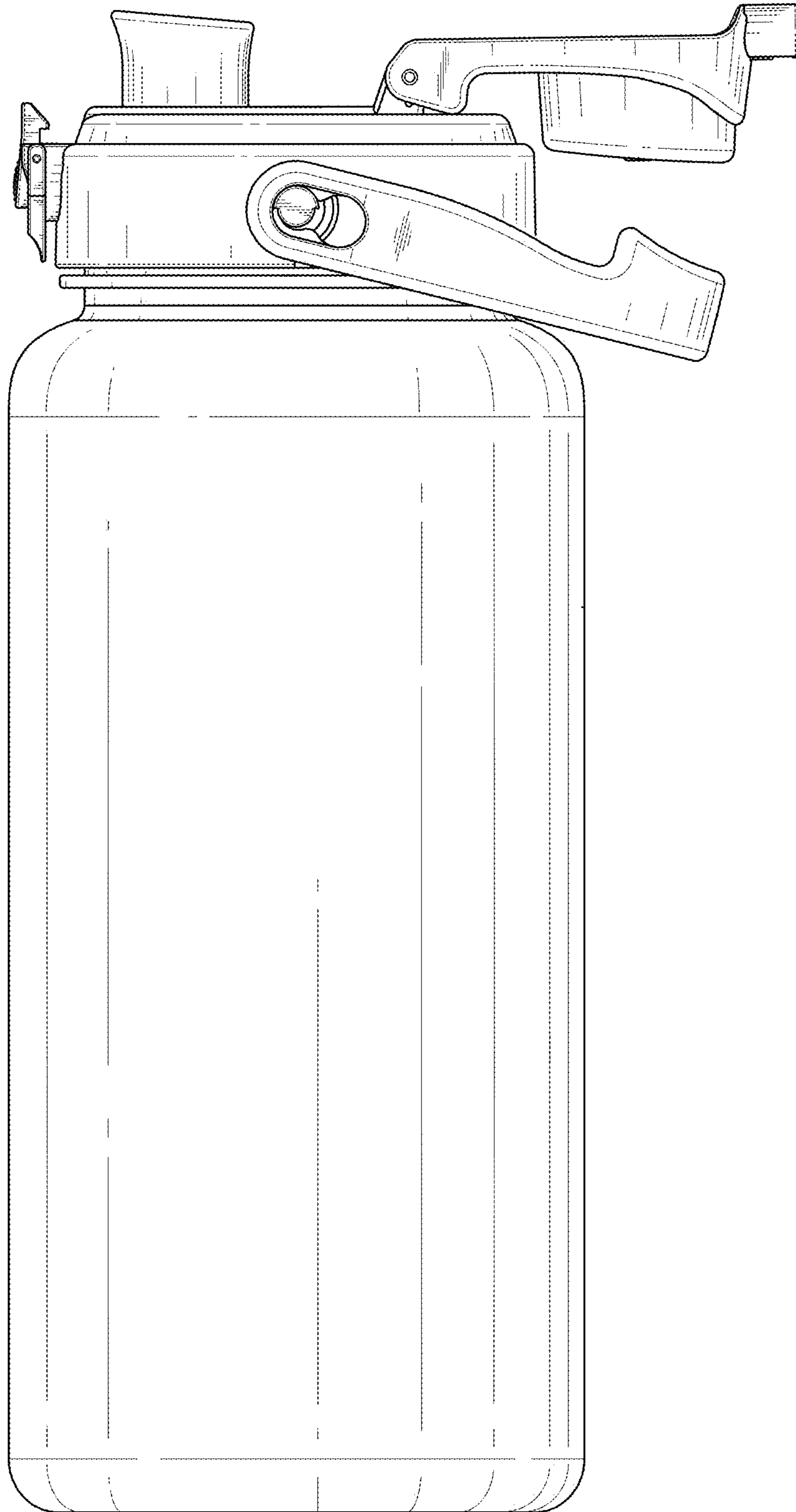


FIG. 5

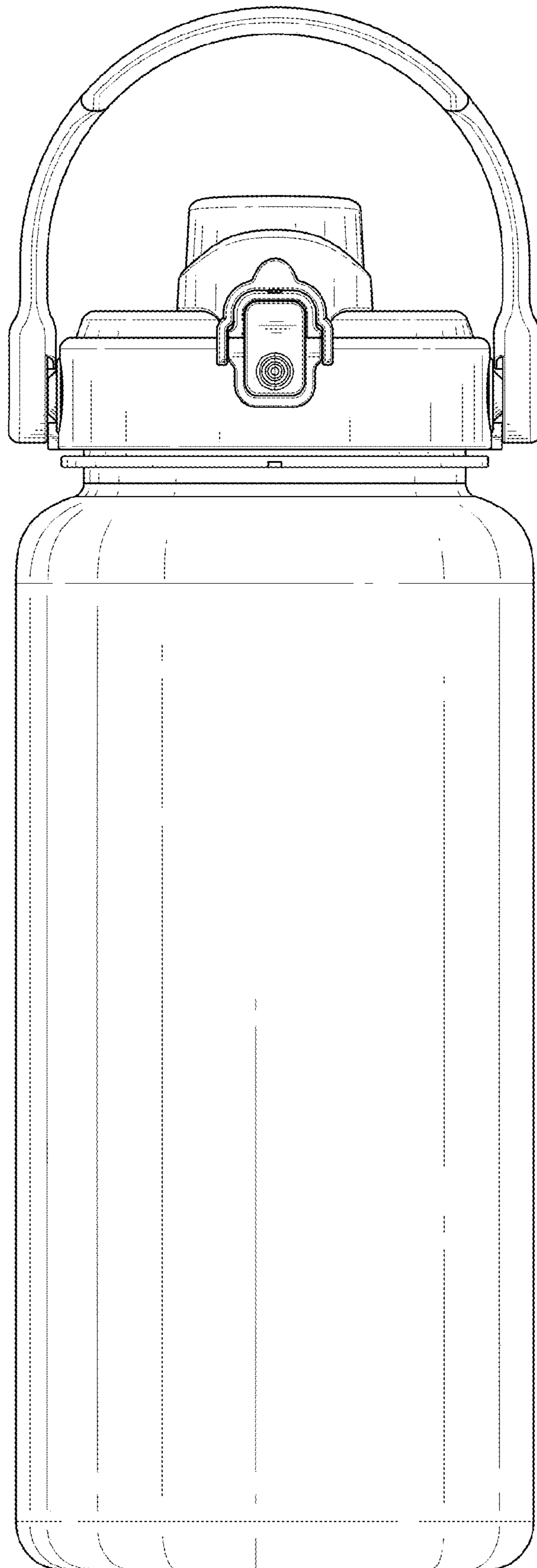


FIG. 6

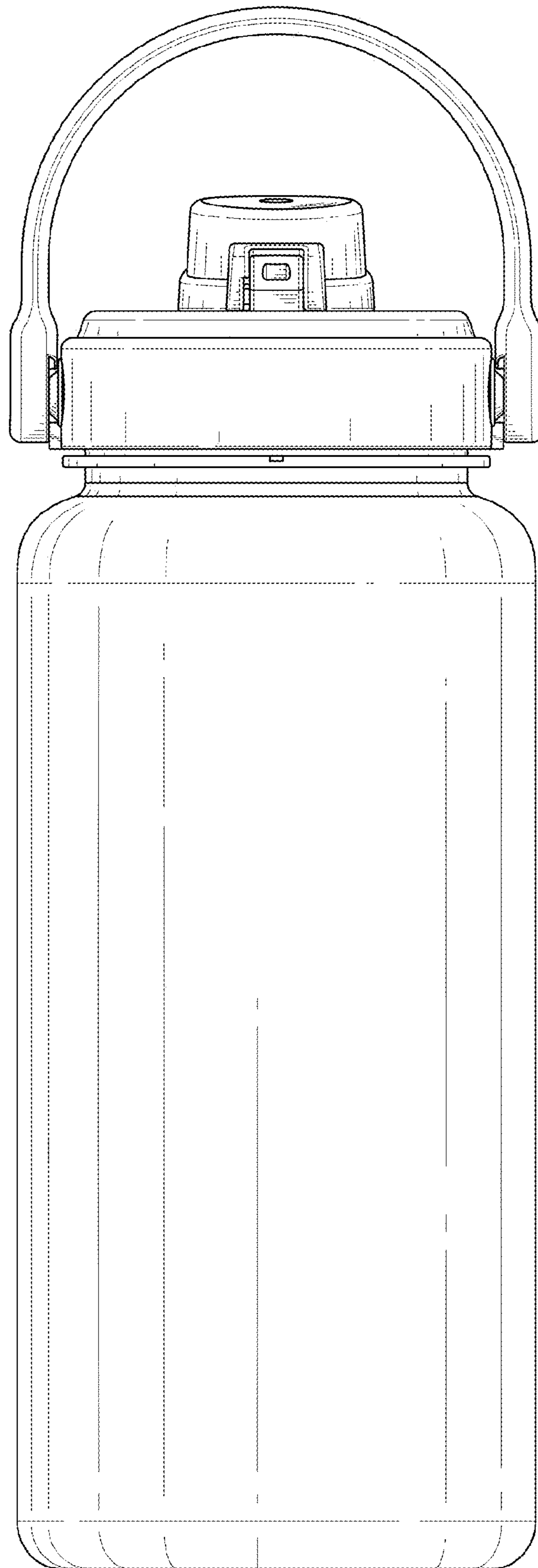


FIG. 7

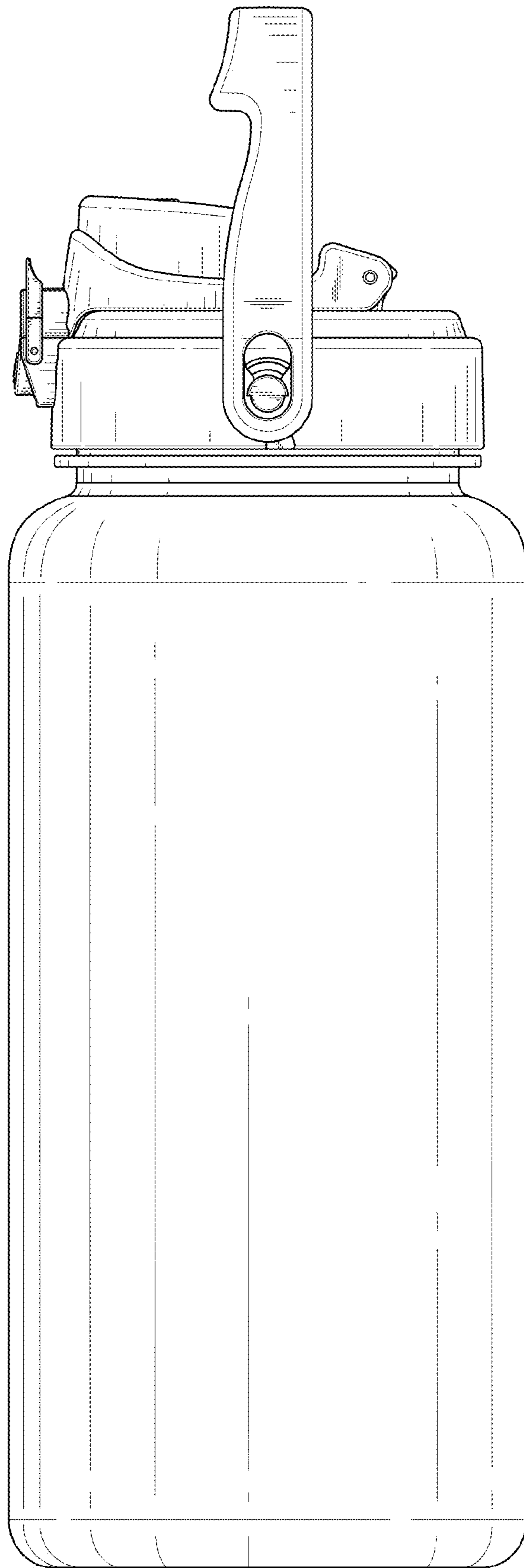


FIG. 8

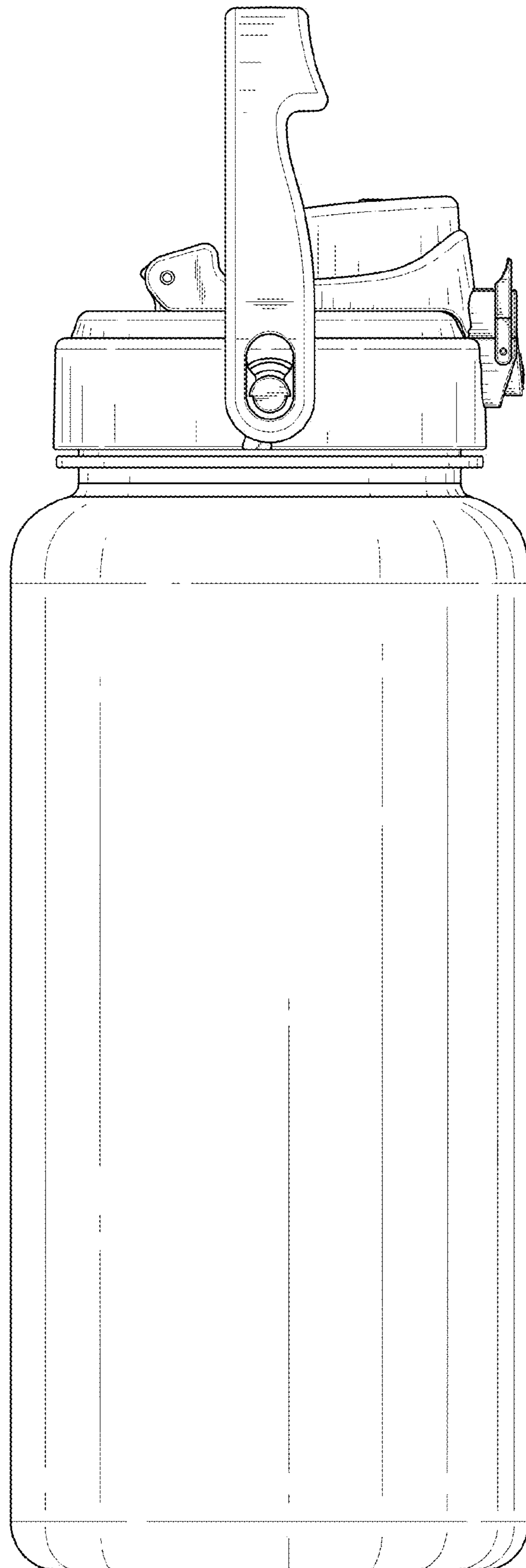


FIG. 9

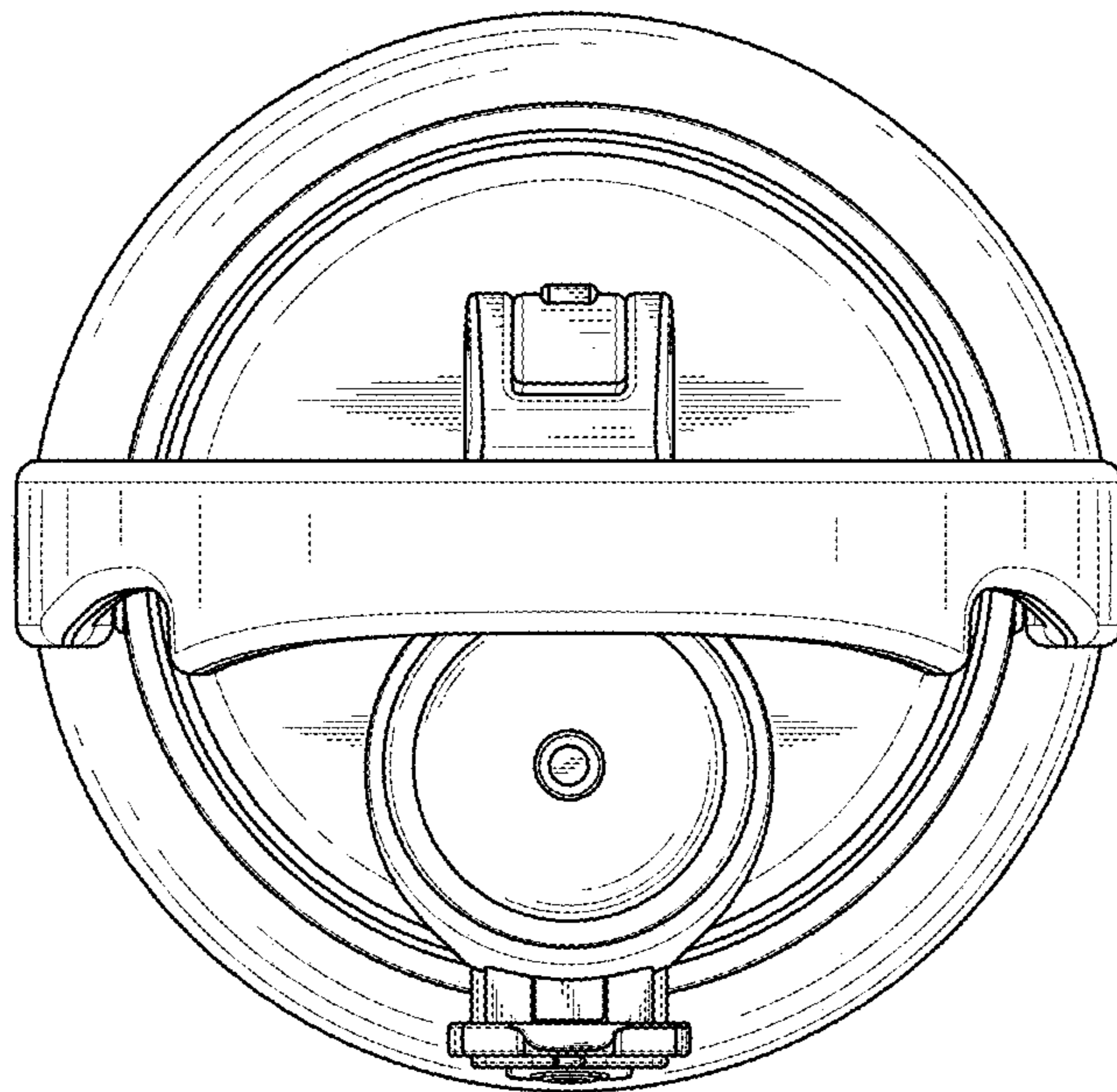


FIG. 10

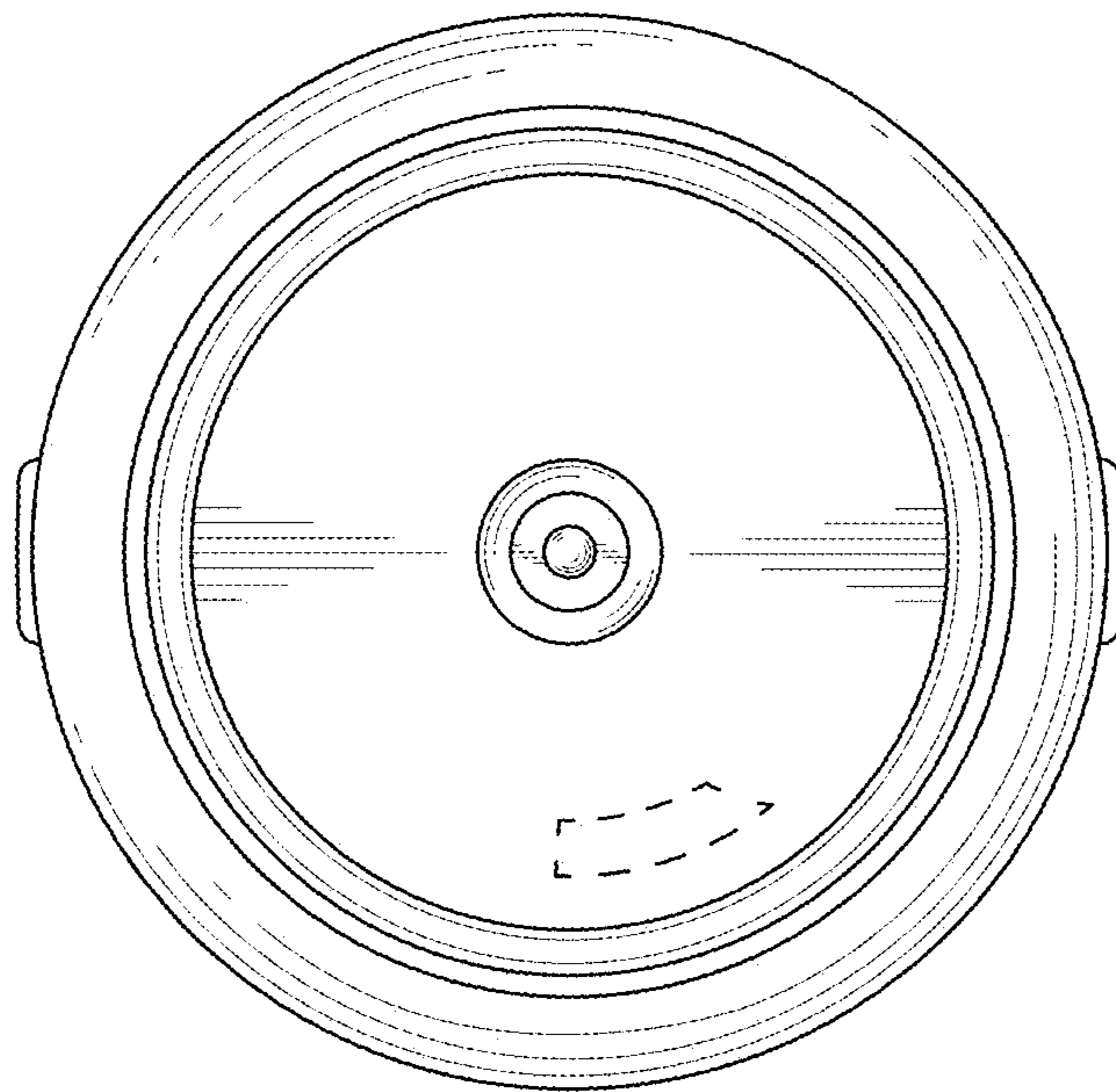


FIG. 11