



US00D899187S

(12) **United States Design Patent**  
**Wang et al.**

(10) **Patent No.:** **US D899,187 S**  
(45) **Date of Patent:** **\*\* Oct. 20, 2020**

(54) **WATER BOTTLE**  
(71) Applicant: **SHEN ZHEN QUICK FIT PLASTIC CO., LTD.**, Shenzhen (CN)

D878,155 S \* 3/2020 Peng ..... D7/510  
D879,555 S \* 3/2020 Wang ..... D7/510  
D889,910 S \* 7/2020 Wang ..... D7/511

(72) Inventors: **Qi Wang**, Shenzhen (CN); **Hui Kang**, Shenzhen (CN)

**OTHER PUBLICATIONS**

[https://www.amazon.com/QuiFit-Motivational-Gallon-Water-Bottle/dp/B083RQLZSH?ref\\_ast\\_sto\\_dp&th=1](https://www.amazon.com/QuiFit-Motivational-Gallon-Water-Bottle/dp/B083RQLZSH?ref_ast_sto_dp&th=1) (Year: 2020).\*

(\*\*) Term: **15 Years**

\* cited by examiner

(21) Appl. No.: **29/736,056**

*Primary Examiner* — Jae Liang

(22) Filed: **May 27, 2020**

(74) *Attorney, Agent, or Firm* — Erson IP (Nelson IP)

(30) **Foreign Application Priority Data**

(57) **CLAIM**

The ornamental design for a water bottle, as shown and described.

Apr. 27, 2020 (CN) ..... 2020 3 0179615.1

**DESCRIPTION**

(51) **LOC (12) Cl.** ..... **07-01**

(52) **U.S. Cl.**  
USPC ..... **D7/510; D7/511; D7/529**

(58) **Field of Classification Search**  
USPC ..... D7/507, 509, 510, 511, 529, 531, 532, D7/523, 533, 534, 535, 536, 392.1, 296.1, D7/396.2; D9/531, 503, 516, 517, 435; D3/202

CPC ..... A47G 19/22; A47G 19/2288; A47G 19/2205; A47G 19/2266; A45F 3/16

See application file for complete search history.

FIG. 1 is the first perspective view of a wafer bottle showing our new design:

FIG. 2 is the second perspective view thereof;

FIG. 3 is a third perspective view thereof, showing the design in an open state;

FIG. 4 is a perspective thereof with the lid shown separately to show aspects of the design that may not be apparent in the other views;

FIG. 5 is a right side view thereof of open state of the design of FIG. 8, showing the design in its open position and the handle feature in an alternative configuration;

FIG. 6 is a front view thereof;

FIG. 7 is a rear view thereof;

FIG. 8 is a right side view thereof;

FIG. 9 is a left side view thereof;

FIG. 10 is a top plan view thereof; and,

FIG. 11 is a bottom plan view thereof.

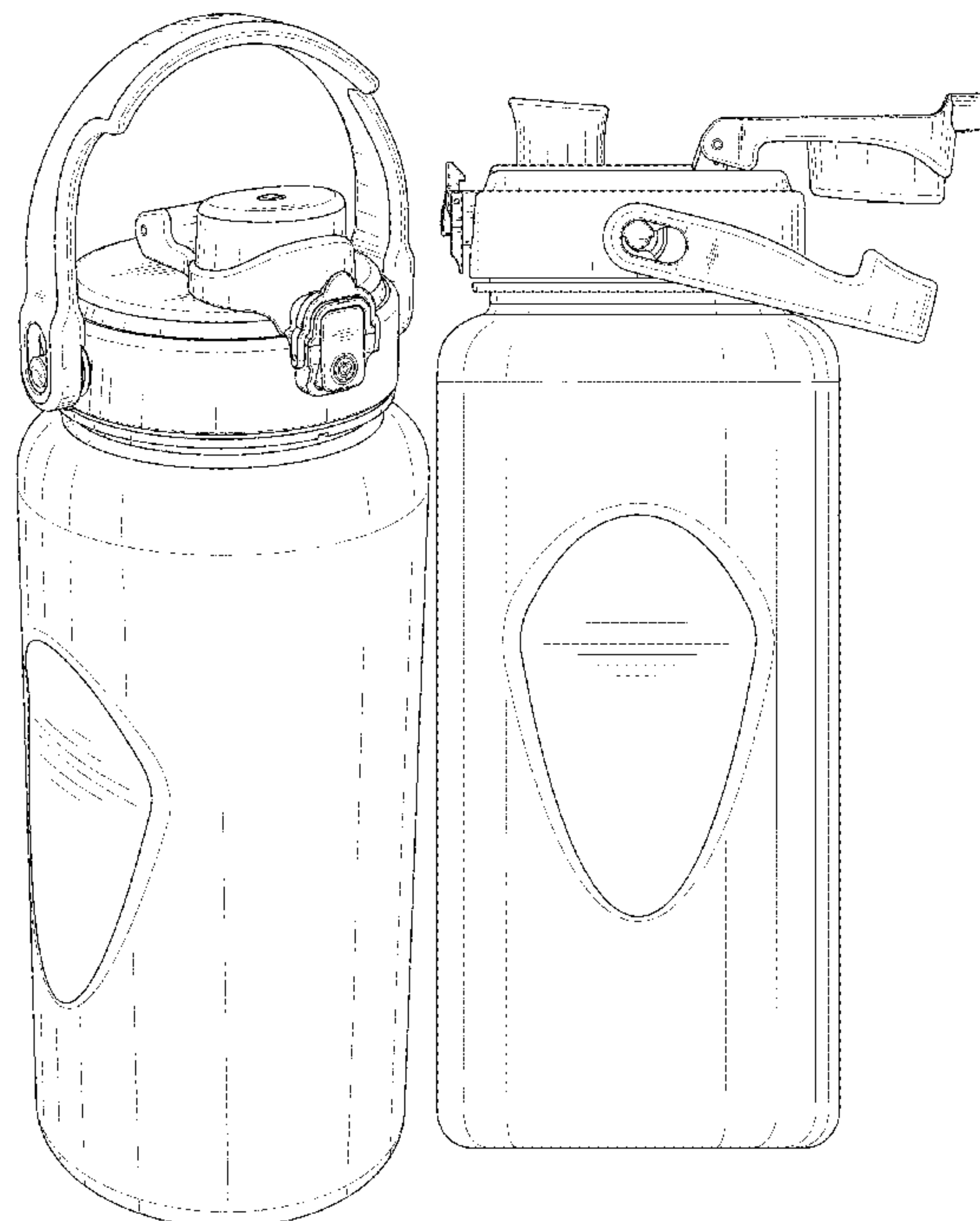
The broken lines in the figures illustrate portions of the water bottle that form no part of the claimed design.

(56) **References Cited**

**U.S. PATENT DOCUMENTS**

D528,921 S \* 9/2006 Leoncavallo ..... D7/511  
RE42,484 E \* 6/2011 Kitamura ..... D7/510  
D786,018 S \* 5/2017 Willows ..... D7/510  
D807,110 S 1/2018 Lown  
D843,784 S \* 3/2019 Black ..... D7/507  
D875,479 S 2/2020 Seiders et al.

**1 Claim, 11 Drawing Sheets**



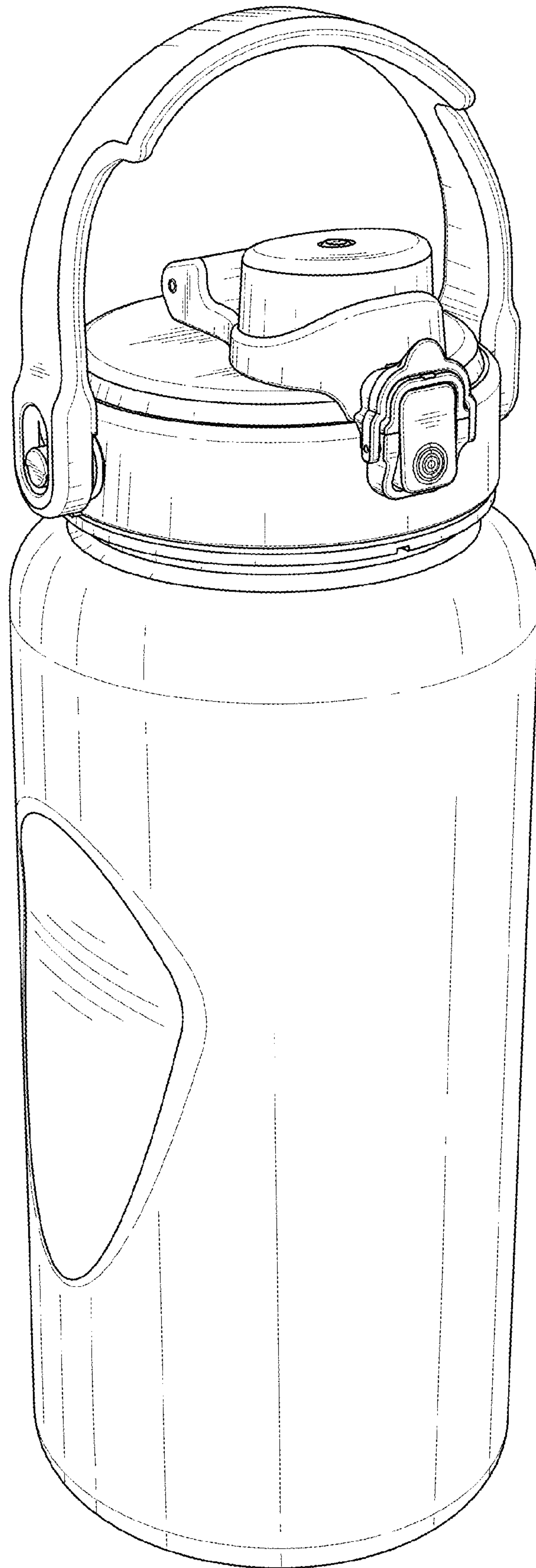


FIG. 1

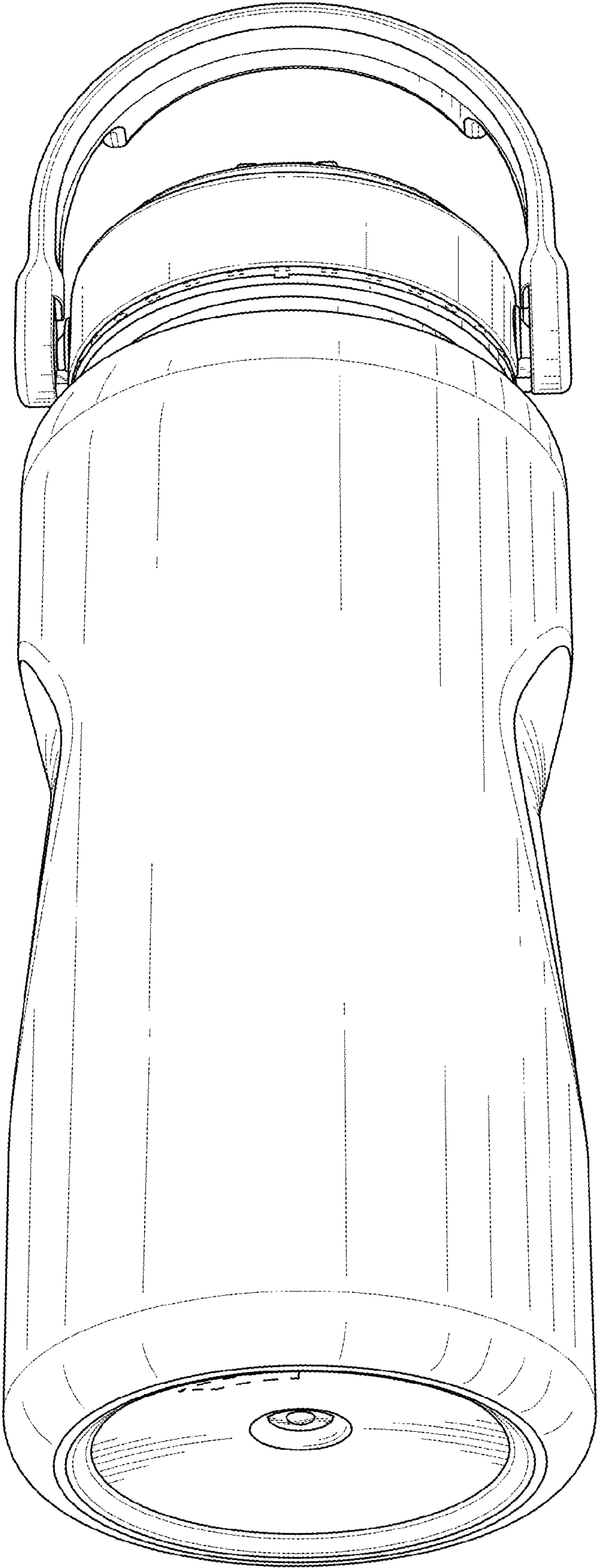


FIG. 2



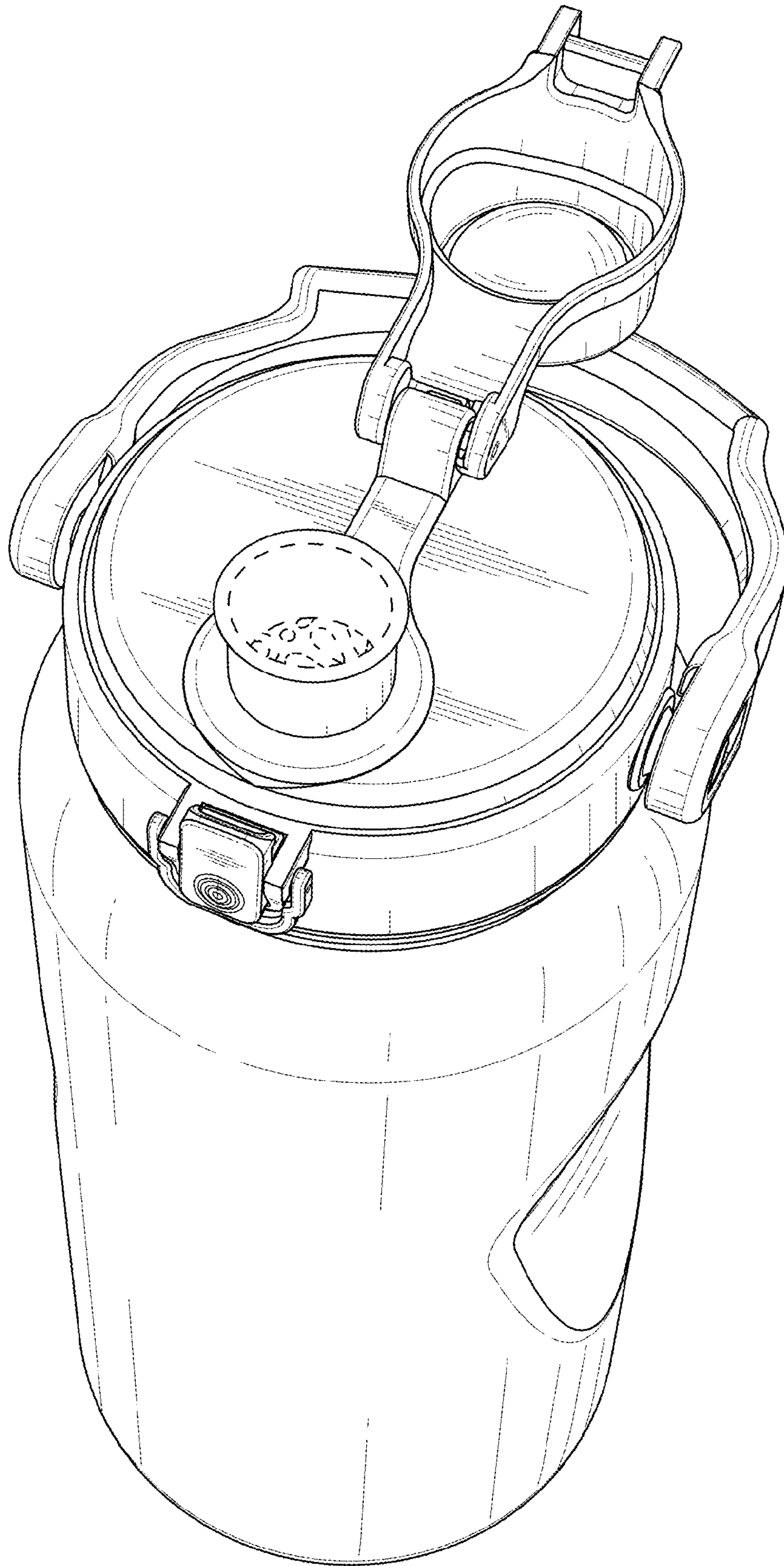


FIG. 3

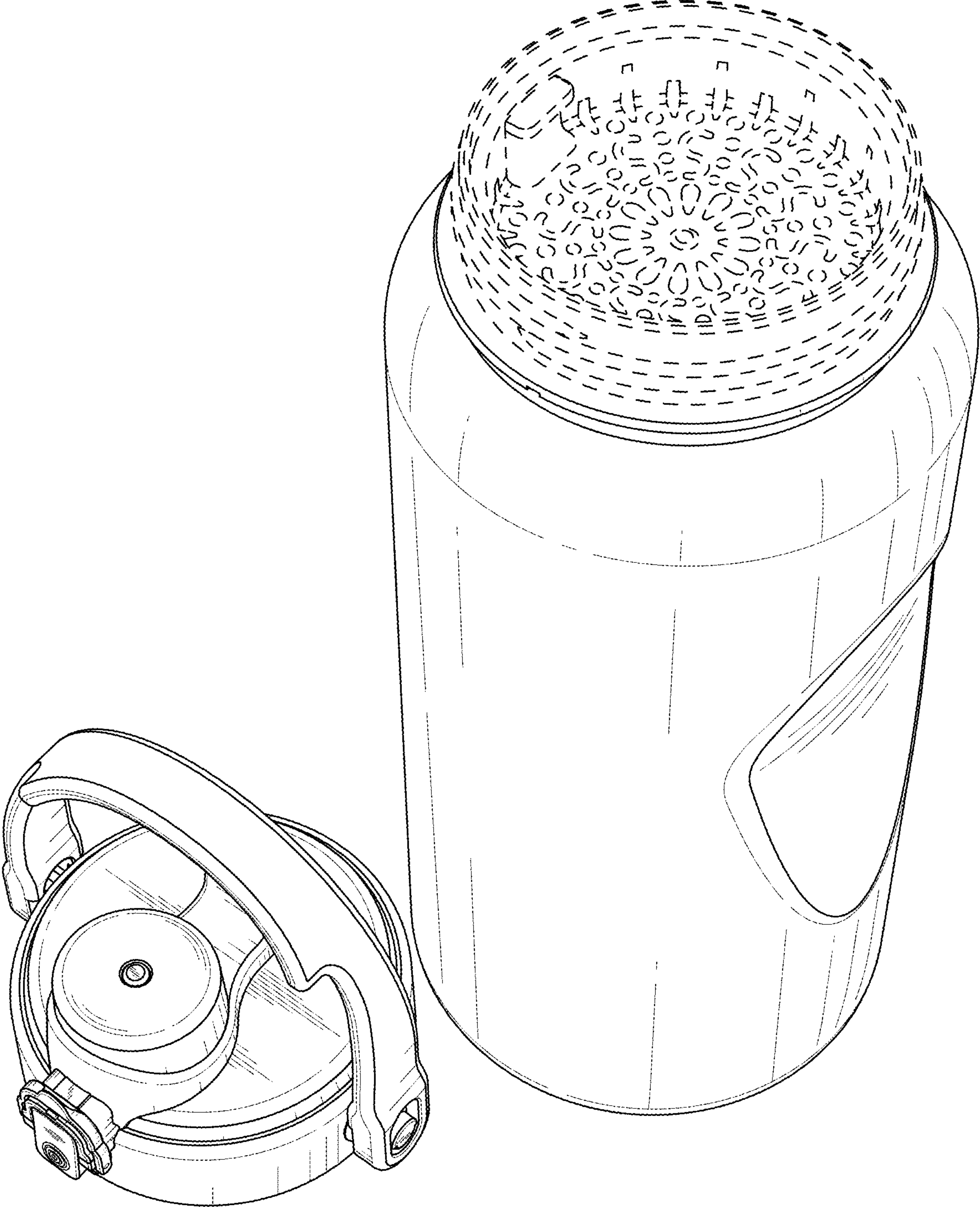


FIG. 4

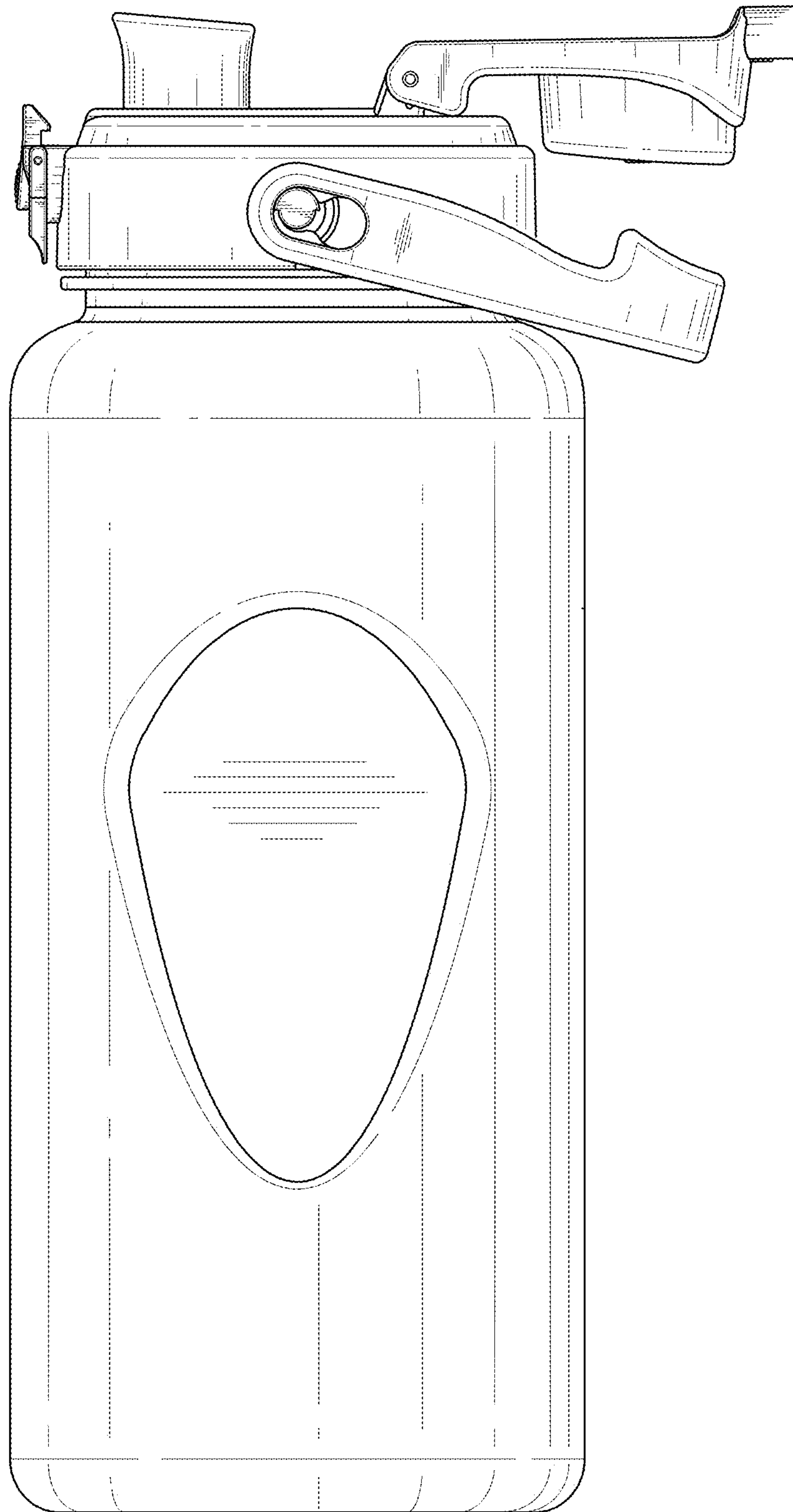


FIG. 5

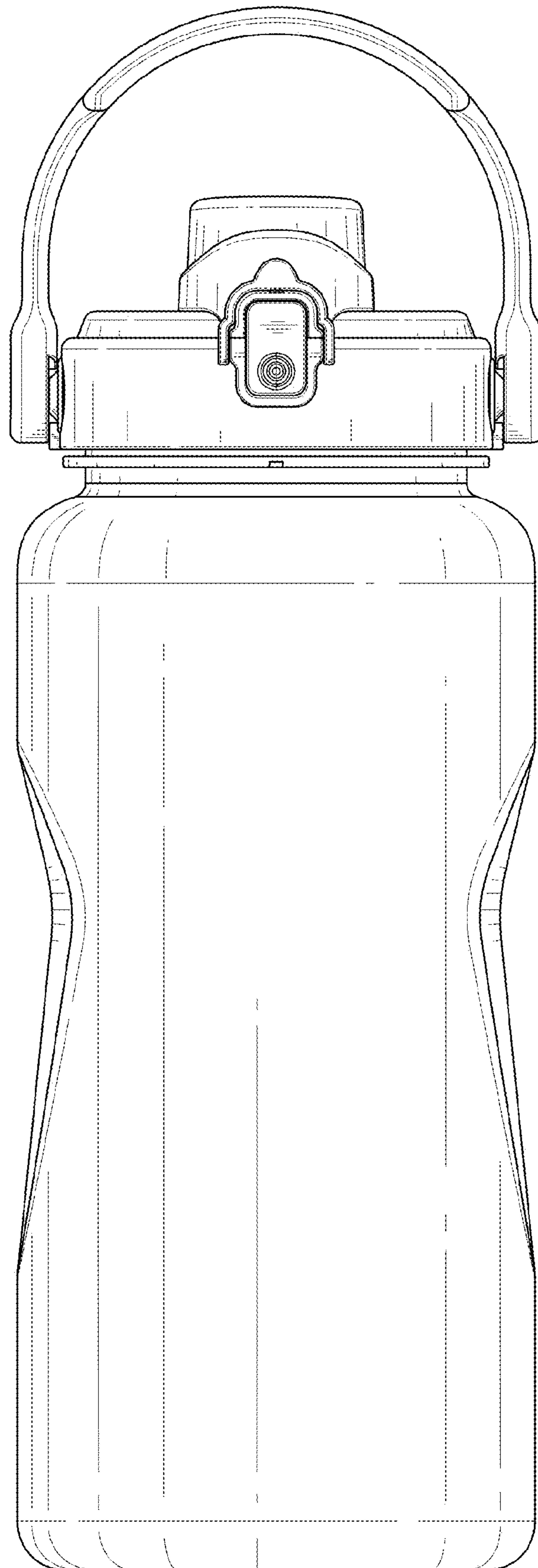


FIG. 6



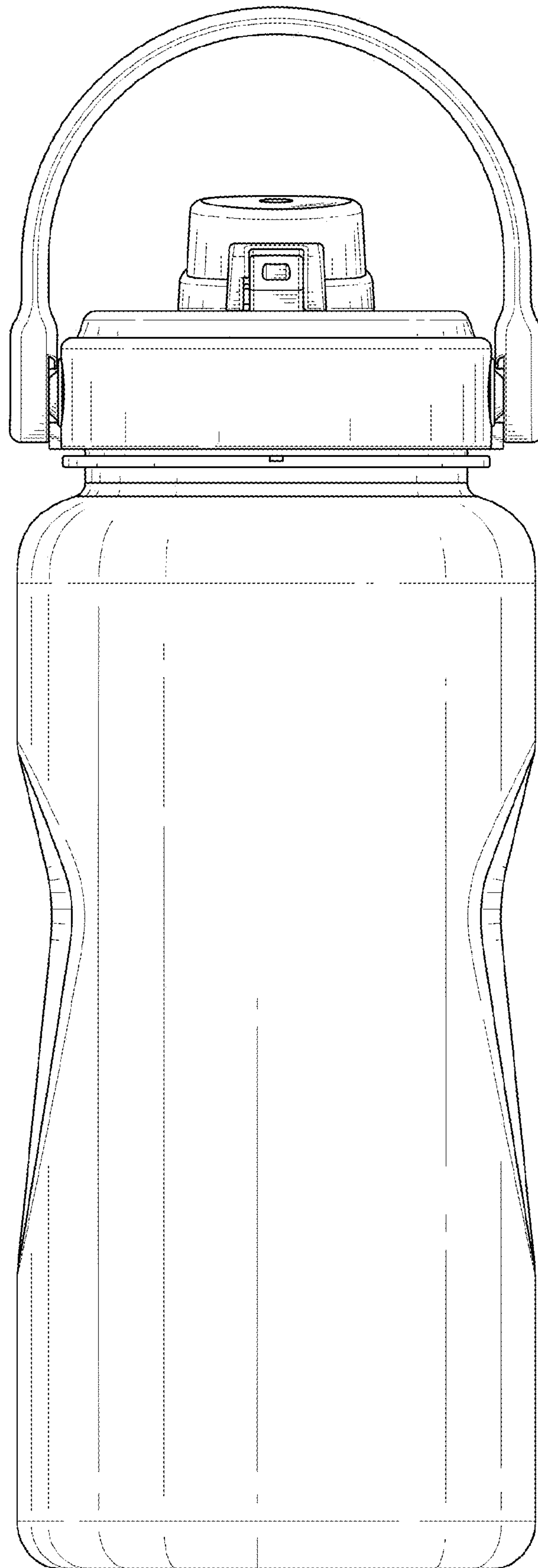


FIG. 7



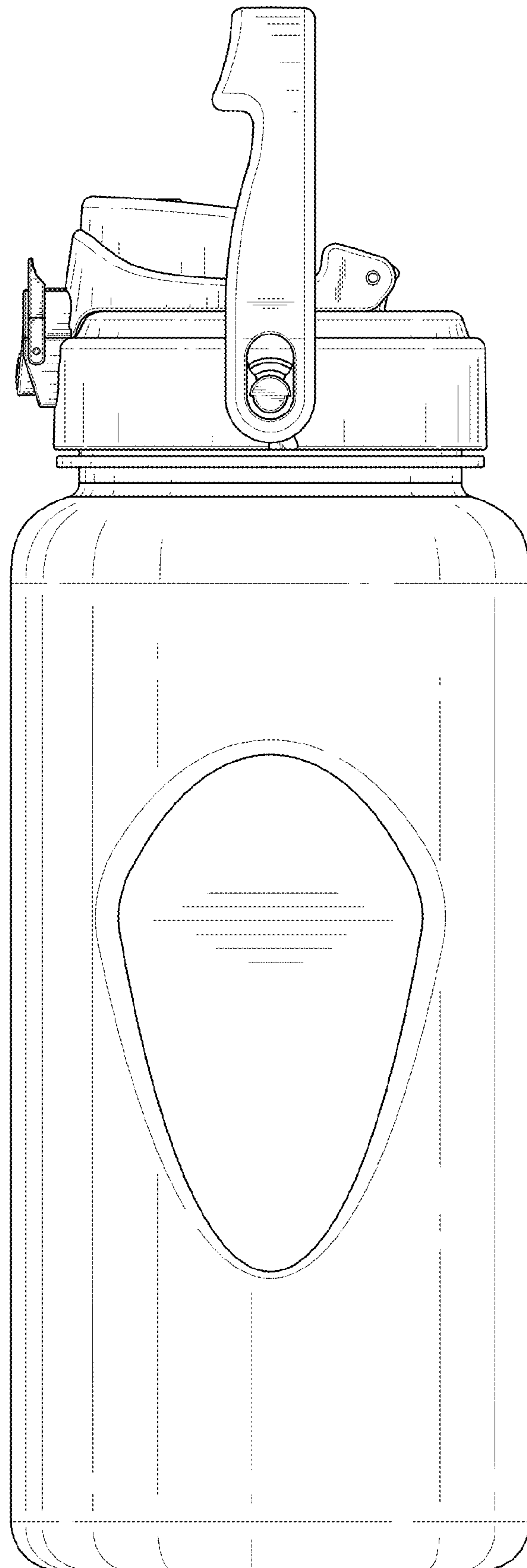


FIG. 8

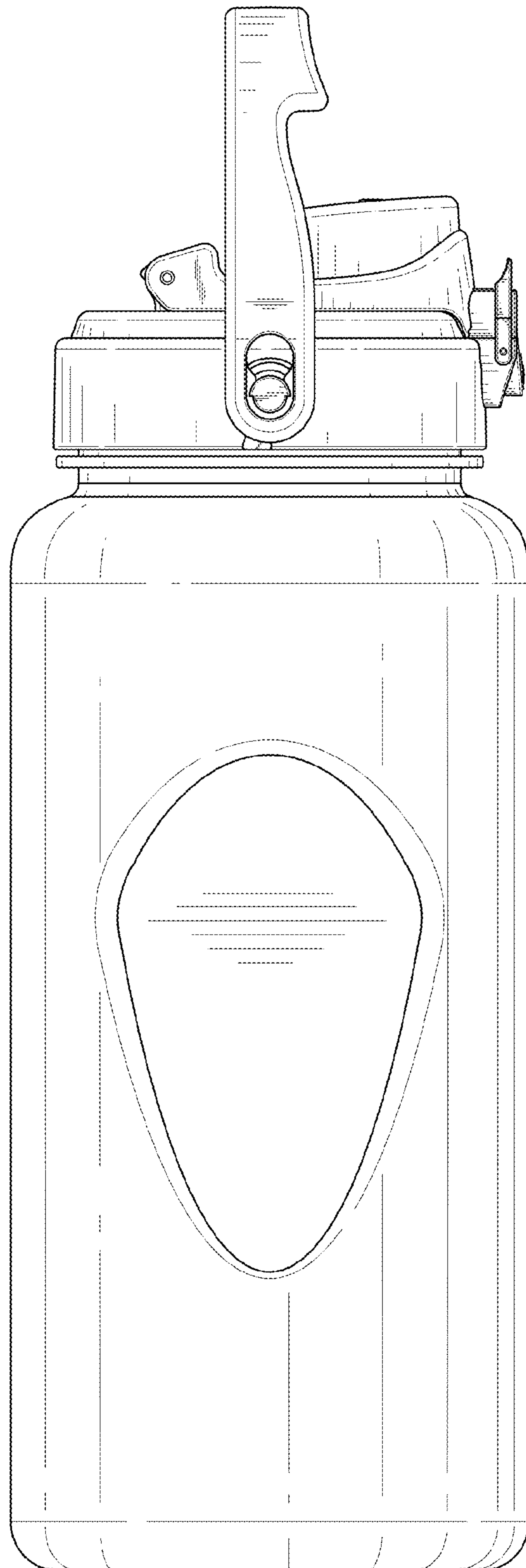


FIG. 9

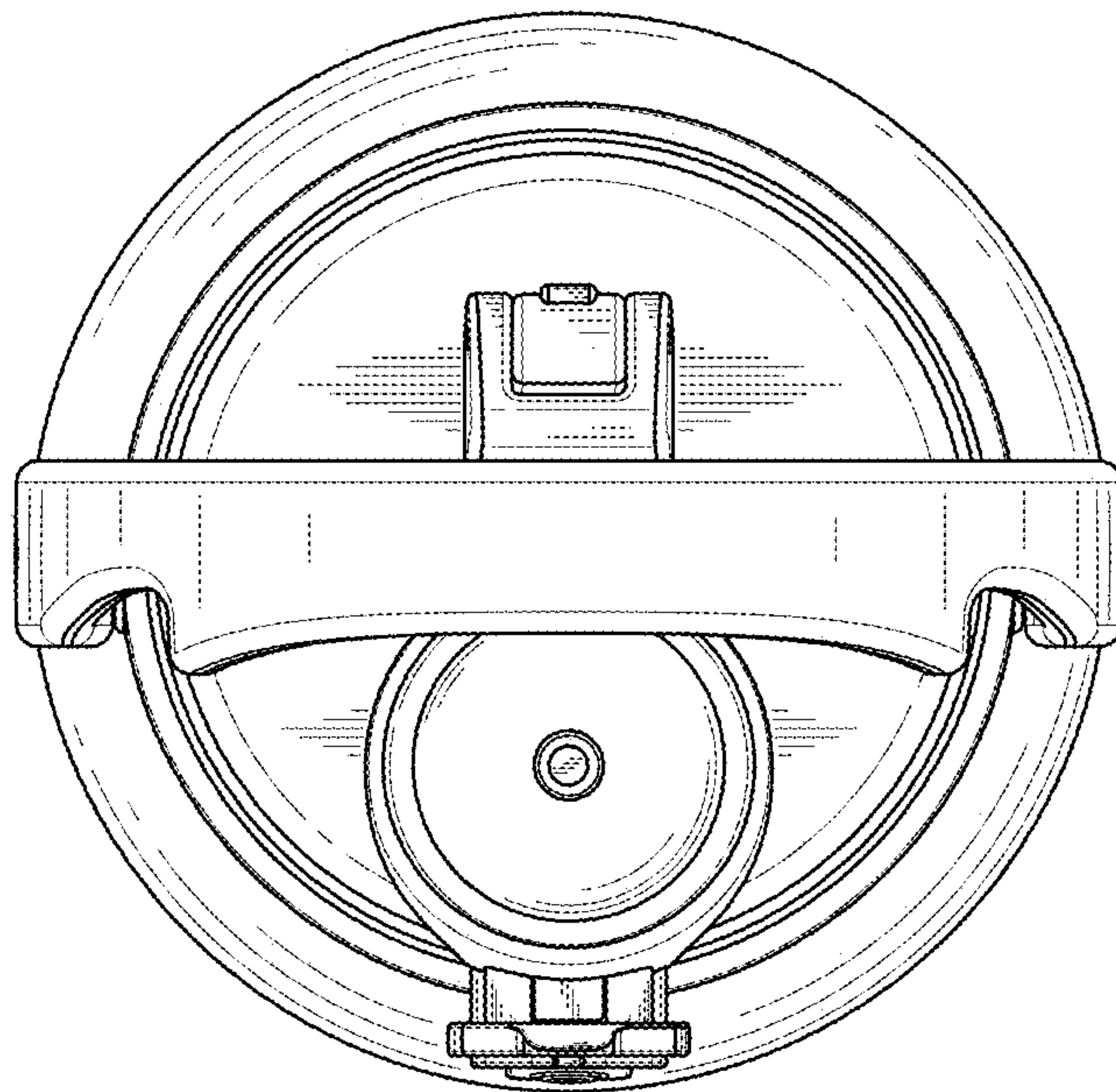


FIG. 10

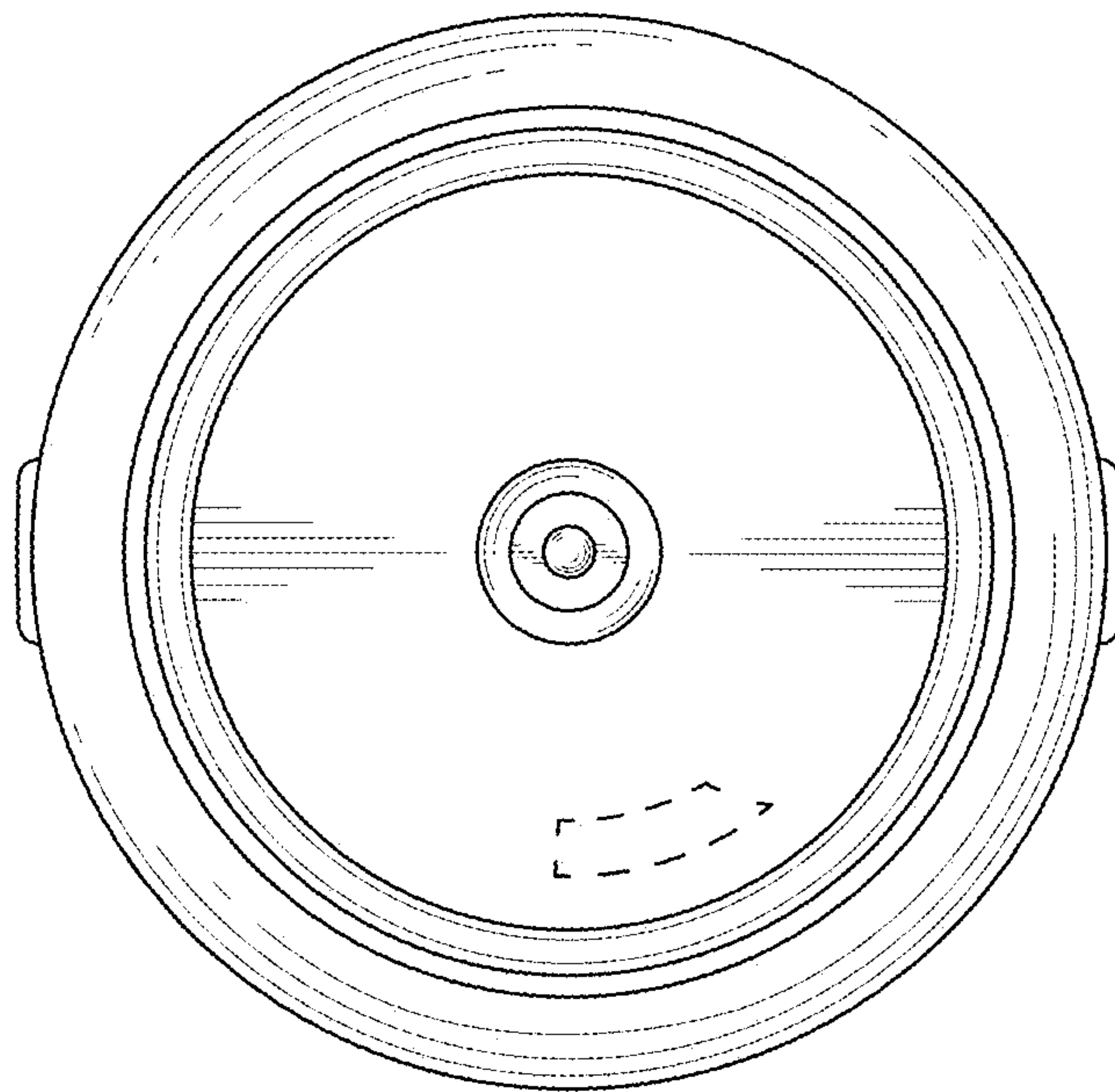


FIG. 11