

US00D899186S

(12) **United States Design Patent** (10) **Patent No.:** **US D899,186 S**
McLean et al. (45) **Date of Patent:** **** Oct. 20, 2020**

- (54) **BEVERAGE PRESS**
- (71) Applicant: **ESPRO, Inc.**, Vancouver (CA)
- (72) Inventors: **Christopher R. McLean**, Vancouver (CA); **Bruce A. Constantine**, North Attleboro, MA (US)
- (73) Assignee: **Espro, Inc.**, Vancouver, CA (US)
- (**) Term: **15 Years**
- (21) Appl. No.: **29/632,564**
- (22) Filed: **Jan. 8, 2018**
- (51) **LOC (12) Cl.** **07-01**
- (52) **U.S. Cl.**
USPC **D7/510; D7/511**
- (58) **Field of Classification Search**
USPC D7/507, 509, 510, 511, 514, 515, 516, D7/519, 523, 533, 534, 535, 536, 608, D7/300.1, 300.2, 629, 300, 401.1, 392.1, D7/396.2, 318, 317; D9/500, 501, 502, D9/503, 504, 435, 436; D24/197
CPC A47G 19/22; A47G 19/2288; A47G 19/2205; A47G 19/2211; A47G 19/2266; A47G 19/2272; B65D 47/066; A45F 3/16; A47J 41/02; A47J 41/0088
See application file for complete search history.

- (56) **References Cited**
U.S. PATENT DOCUMENTS
D235,303 S * 6/1975 Boucher D7/672
D415,395 S * 10/1999 Hunt D7/608
D603,331 S * 11/2009 Schupp D13/103
D608,142 S * 1/2010 Davies D7/397
D627,602 S * 11/2010 Eyal D7/510
8,051,766 B1 * 11/2011 Yu A47J 31/20
220/625
D695,138 S * 12/2013 Ball D9/435

- D702,506 S * 4/2014 Mettler D7/608
- D708,954 S * 7/2014 Barnes D7/511
- D757,646 S * 5/2016 Pearson D13/103
- D758,859 S * 6/2016 Sorensen D7/393
- D795,020 S * 8/2017 Seiders D7/510
- D800,502 S * 10/2017 Weernink D7/510
- D805,852 S * 12/2017 Seiders D7/608
- D806,475 S * 1/2018 Pisarevsky D7/507
- D809,344 S * 2/2018 Guthrie D7/511
- D819,396 S * 6/2018 Seiders D7/392.1
- D823,068 S * 7/2018 Seiders D7/608
- D842,027 S * 3/2019 Boroski D7/392.1
- D843,212 S * 3/2019 Seiders D9/443
- D845,083 S * 4/2019 Owen D7/608
- 2006/0021524 A1 * 2/2006 Liu A47J 31/20
100/116
- 2014/0060337 A1 * 3/2014 Varnum A47J 31/38
99/297

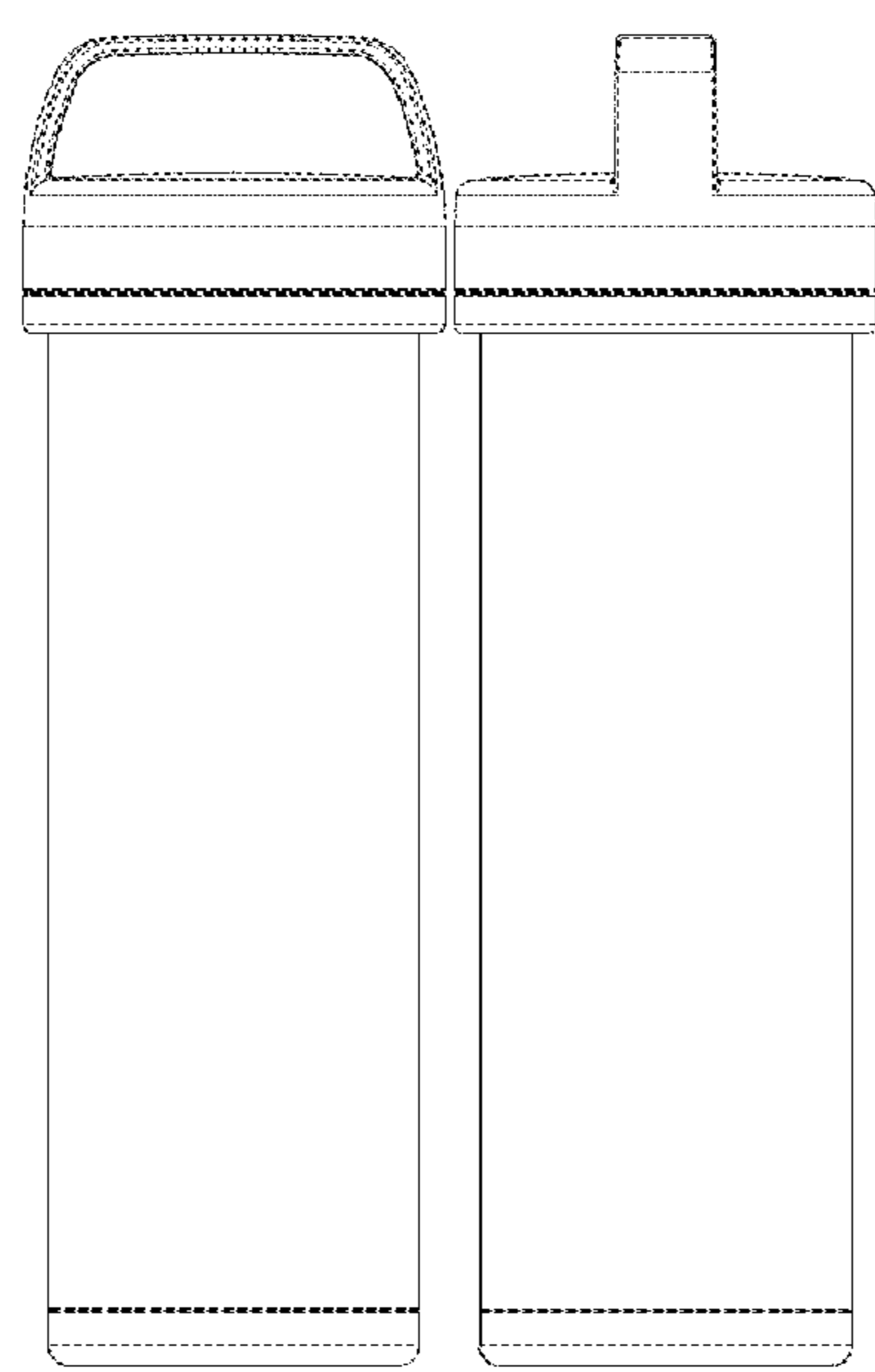
(Continued)

Primary Examiner — Jae Liang
(74) Attorney, Agent, or Firm — Winthrop & Weinstine, P.A.

(57) **CLAIM**
The ornamental design for a beverage press, as shown and described.

DESCRIPTION
FIG. 1 is a front view of a beverage press showing our new design;
FIG. 2 is a left side view thereof,
FIG. 3 is a right side view thereof,
FIG. 4 is a rear view thereof,
FIG. 5 is a top view thereof,
FIG. 6 is a bottom view thereof,
FIG. 7 is top, right-side perspective view thereof; and,
FIG. 8 is top, left-side perspective view thereof.
The broken lines are included for the purpose of illustrating the portions of the beverage press that form no part of the claimed design.

1 Claim, 7 Drawing Sheets



(56)

References Cited

U.S. PATENT DOCUMENTS

2014/0205725 A1* 7/2014 Albanese A47J 31/20
426/433
2016/0037960 A1* 2/2016 McLean A47J 31/18
99/297
2017/0119212 A1* 5/2017 Petrillo A47J 41/0072
2018/0303269 A1* 10/2018 Yakos A47J 31/005
2019/0021541 A1* 1/2019 Kuempel A47J 31/02
2019/0117000 A1* 4/2019 Lockhart A47G 19/2272
2019/0223649 A1* 7/2019 Yakos A47J 31/005

* cited by examiner

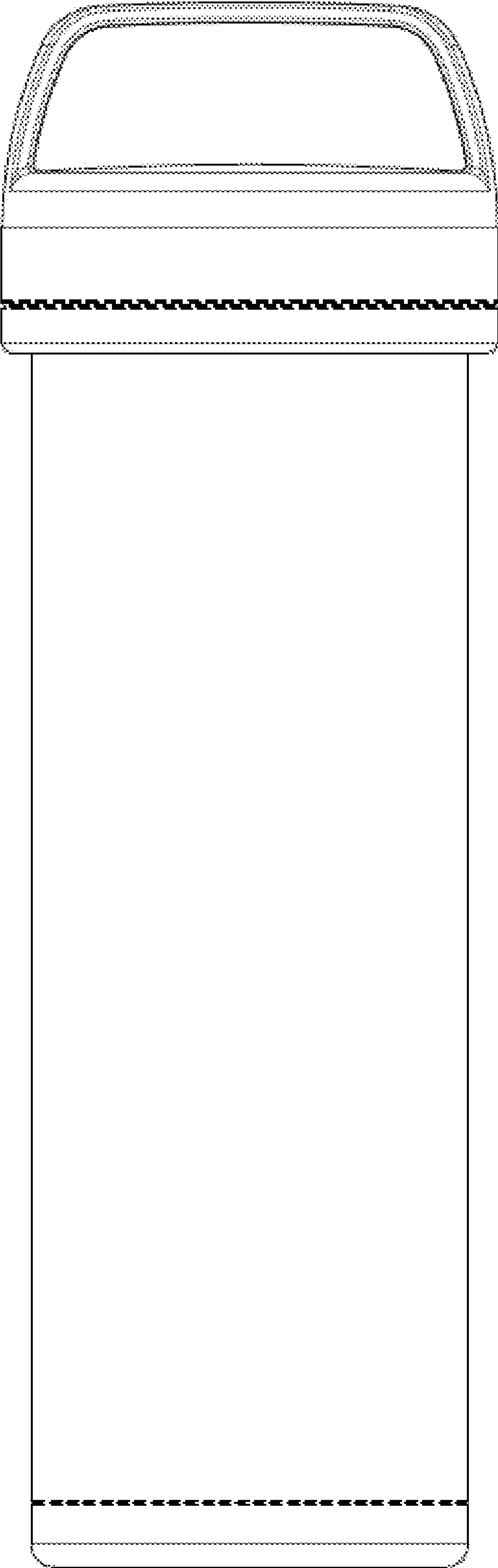


FIG. 1

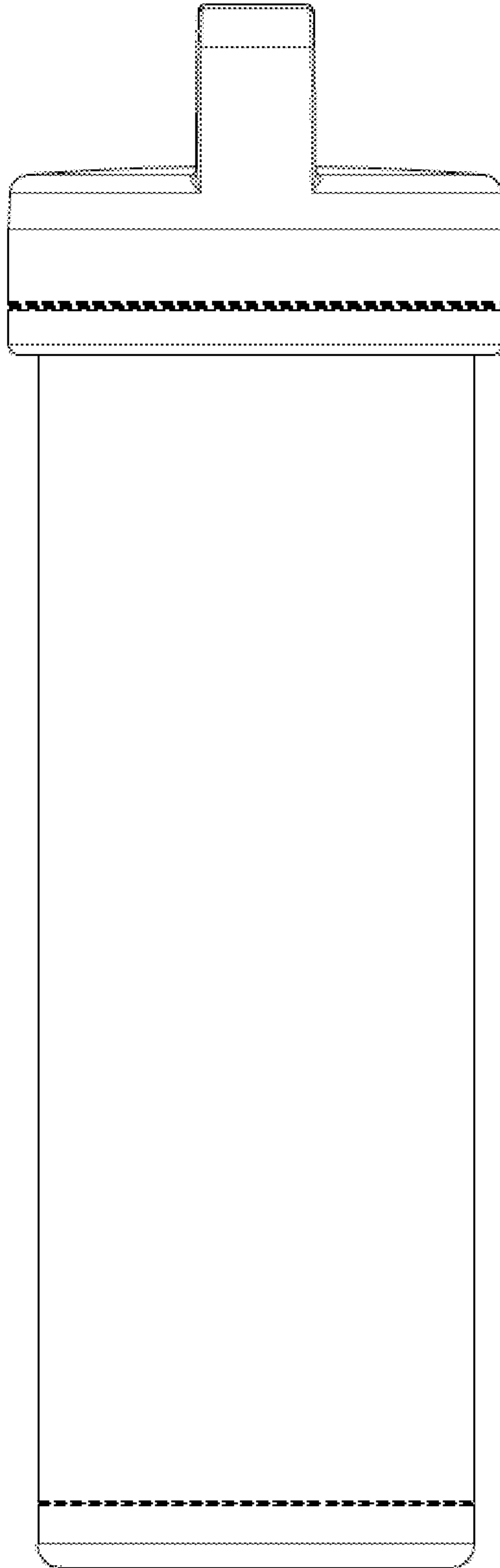


FIG. 2

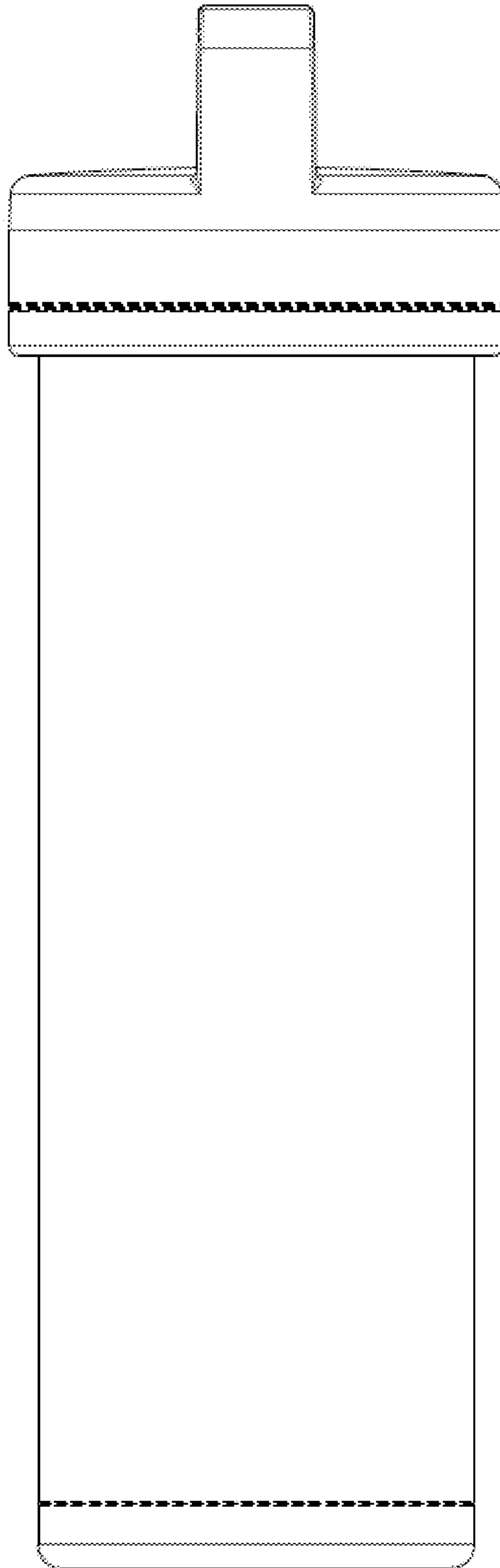


FIG. 3

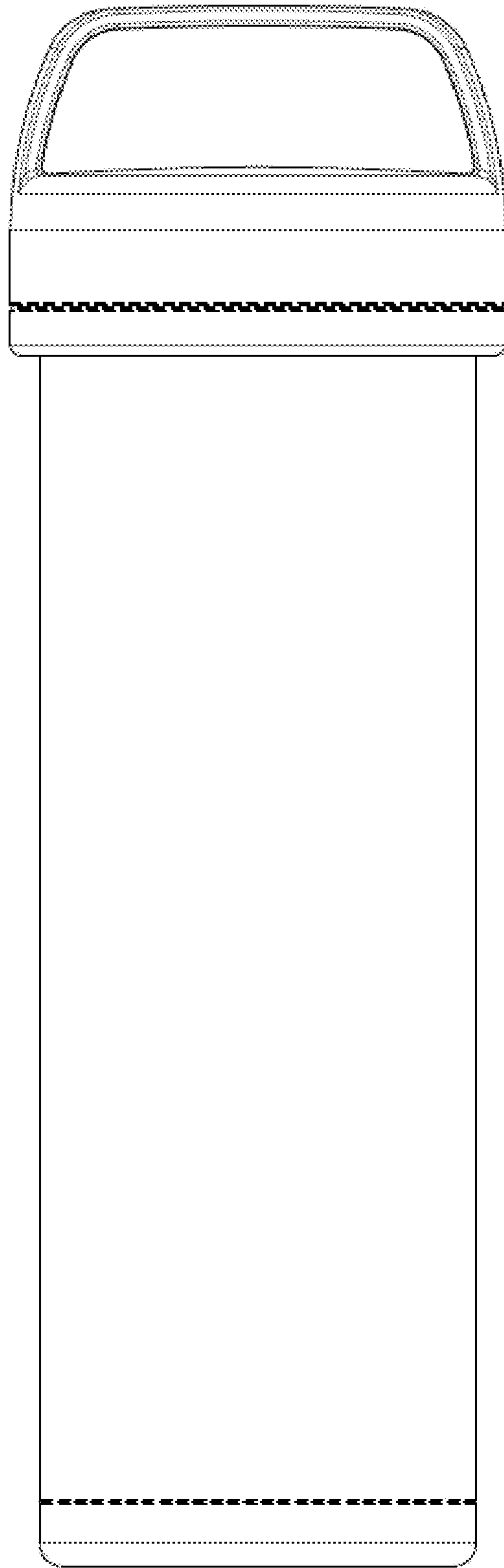


FIG. 4

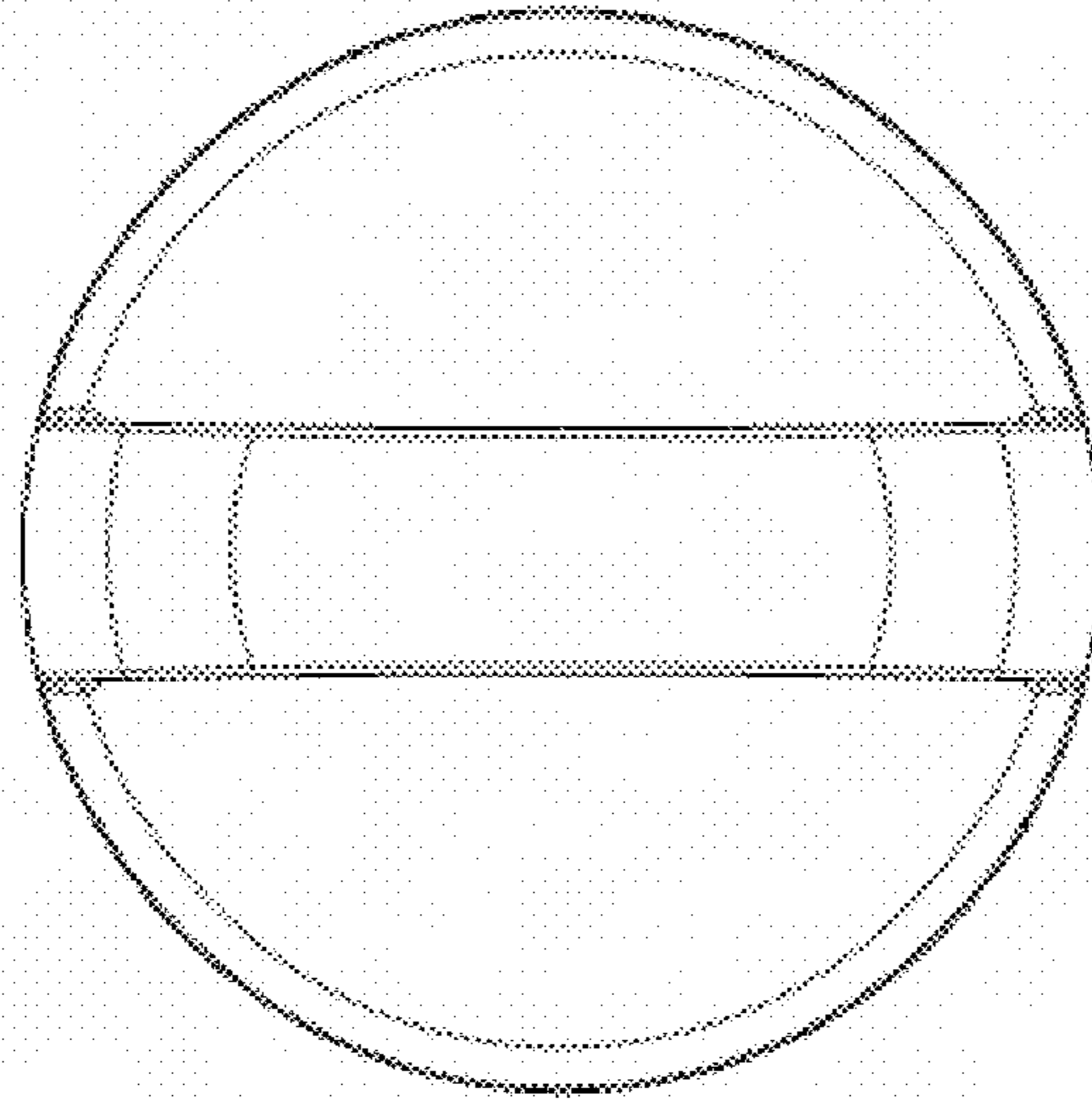


FIG. 5

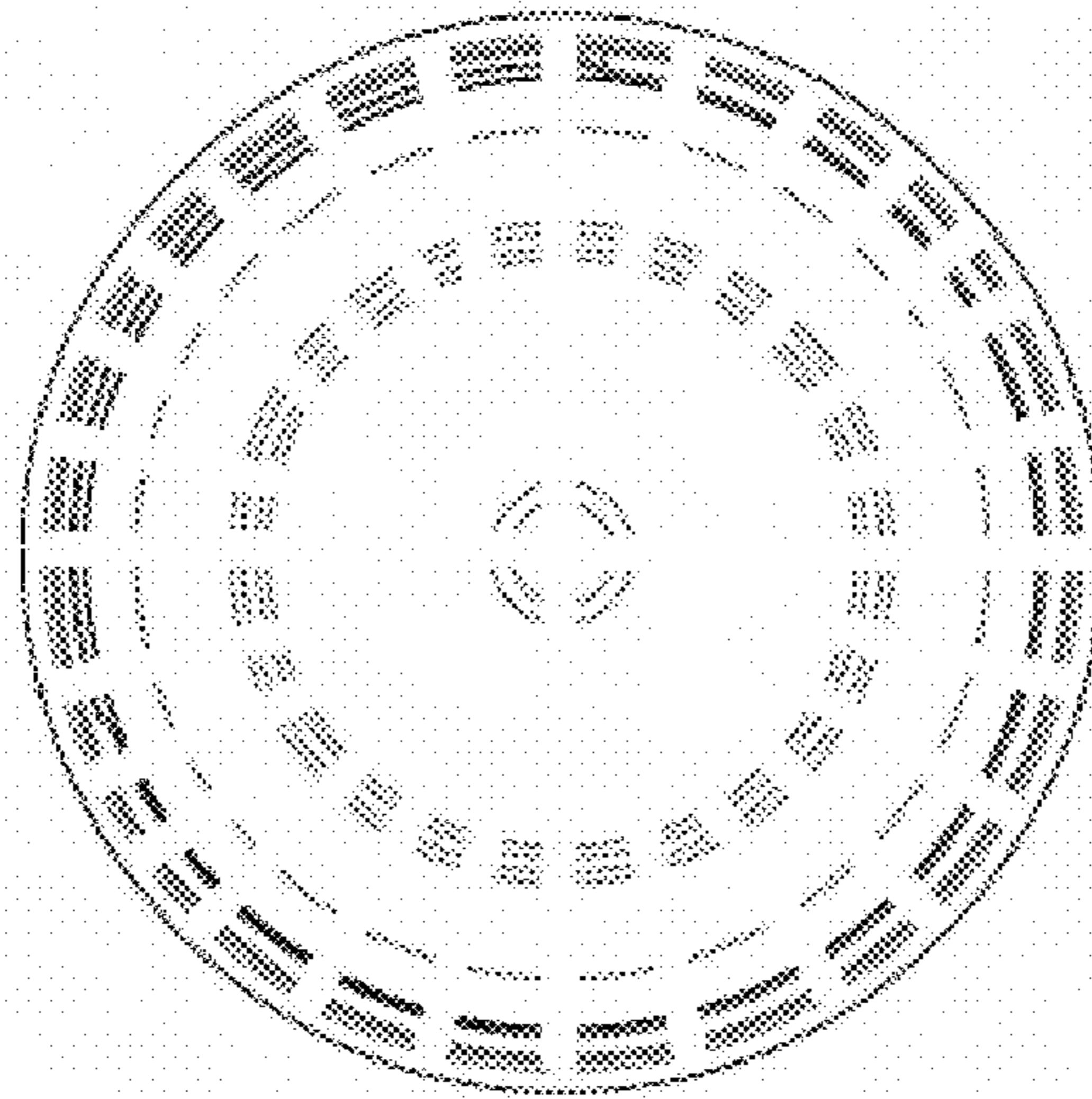


FIG. 6

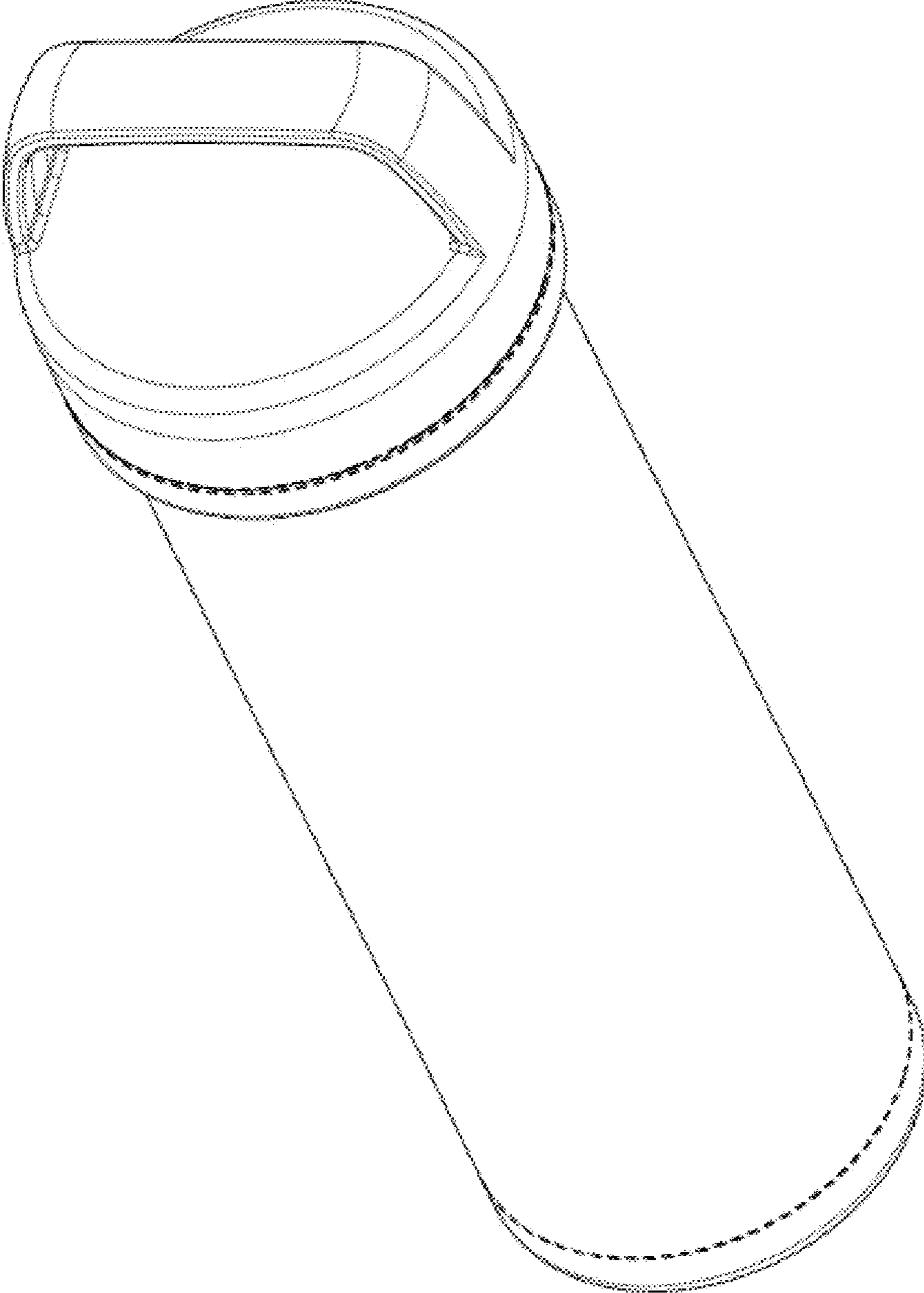


FIG. 7

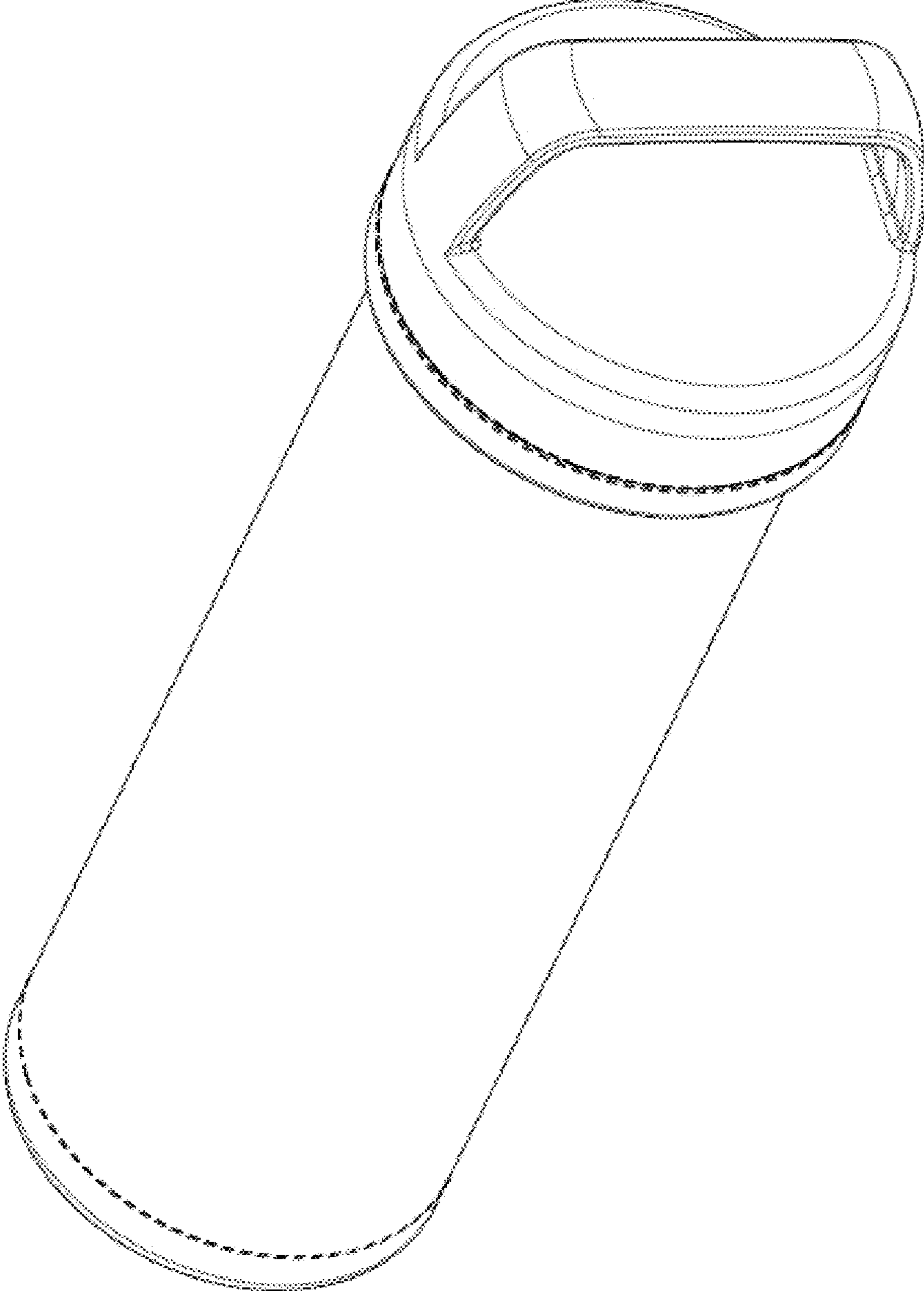


FIG. 8