



US00D899185S

(12) **United States Design Patent**
Contell

(10) **Patent No.:** **US D899,185 S**
(45) **Date of Patent:** **** Oct. 20, 2020**

(54) **CLIPPED BALL PART OF ELECTRIC FRUIT JUICER**

D296,288 S * 6/1988 Zimnowicz D7/665
D307,090 S * 4/1990 DeCoster D7/665
D485,474 S * 1/2004 Wong A23N 1/003

(71) Applicant: **Zummo Innovaciones Mecanicas, S.A., Valencia (ES)**

9,445,626 B2 * 9/2016 Contell Albert A23N 1/003
10,130,118 B2 * 11/2018 Contell Albert A23N 1/003

(72) Inventor: **Eugenio Contell, Valencia (ES)**

OTHER PUBLICATIONS

(73) Assignee: **ZUMMO INNOVACIONES MECANICAS, S.A., Valencia (ES)**

Juicers of America Slotted Large Ball. Undated; 2 pages. Found online Jun. 24, 2020 at https://juicersofamerica.com/products/copy-of-z06-gp-slotted-blade?_pos=4&_sid=6bb830a3e&_ss=r (Year: 2020).*

(**) Term: **15 Years**

(21) Appl. No.: **29/735,440**

* cited by examiner

(22) Filed: **May 21, 2020**

Primary Examiner — Robert M. Spear

Related U.S. Application Data

(74) *Attorney, Agent, or Firm* — Lucas & Mercanti, LLP

(62) Division of application No. 35/506,858, filed on Nov. 26, 2018 (U.S. filing date under 35 U.S.C. 384), and having an international filing date of Nov. 26, 2018.

(51) **LOC (12) Cl.** **07-99**

(52) **U.S. Cl.**
USPC **D7/412; D7/665**

(57) **CLAIM**

The ornamental design for a clipped ball part of electric fruit juicer, as shown and described.

(58) **Field of Classification Search**

USPC D7/372, 665, 666, 682, 412, 414; D15/123
CPC .. A23N 1/02; A23N 1/003; A47J 19/02; A47J 19/027; A47J 19/022; A47J 10/022
See application file for complete search history.

DESCRIPTION

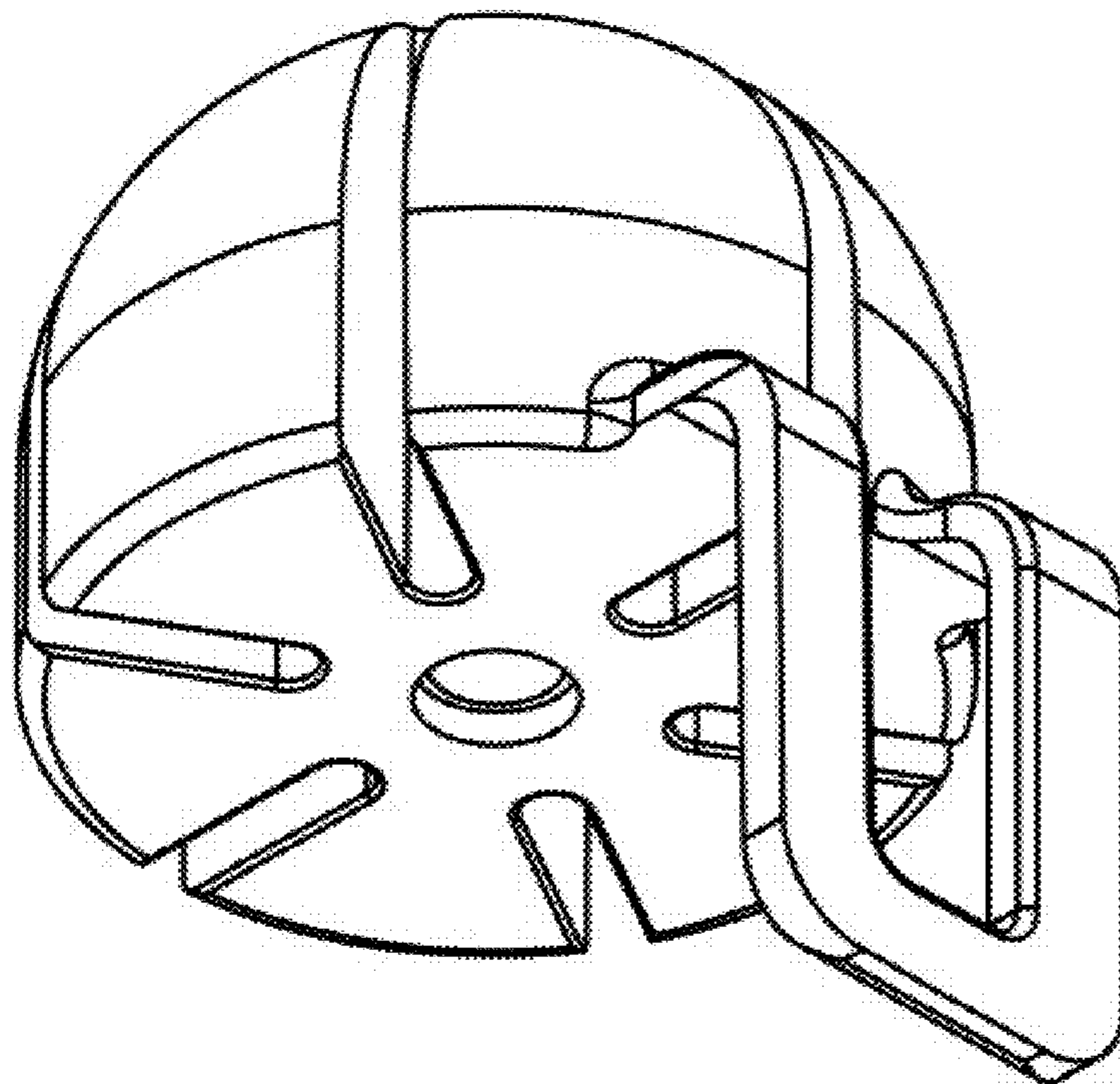
FIG. 1 is a left side view of the clipped ball part of electric fruit juicer according to the design;
FIG. 2 is a back view thereof;
FIG. 3 is a right side view thereof;
FIG. 4 is a front view thereof;
FIG. 5 is a bottom plan view thereof;
FIG. 6 is a top plan view thereof;
FIG. 7 is a top perspective view thereof; and,
FIG. 8 is a bottom perspective view thereof.

(56) **References Cited**

U.S. PATENT DOCUMENTS

D251,405 S * 3/1979 Ackeret D7/665
D279,157 S * 6/1985 Gecchelin D7/665

1 Claim, 8 Drawing Sheets



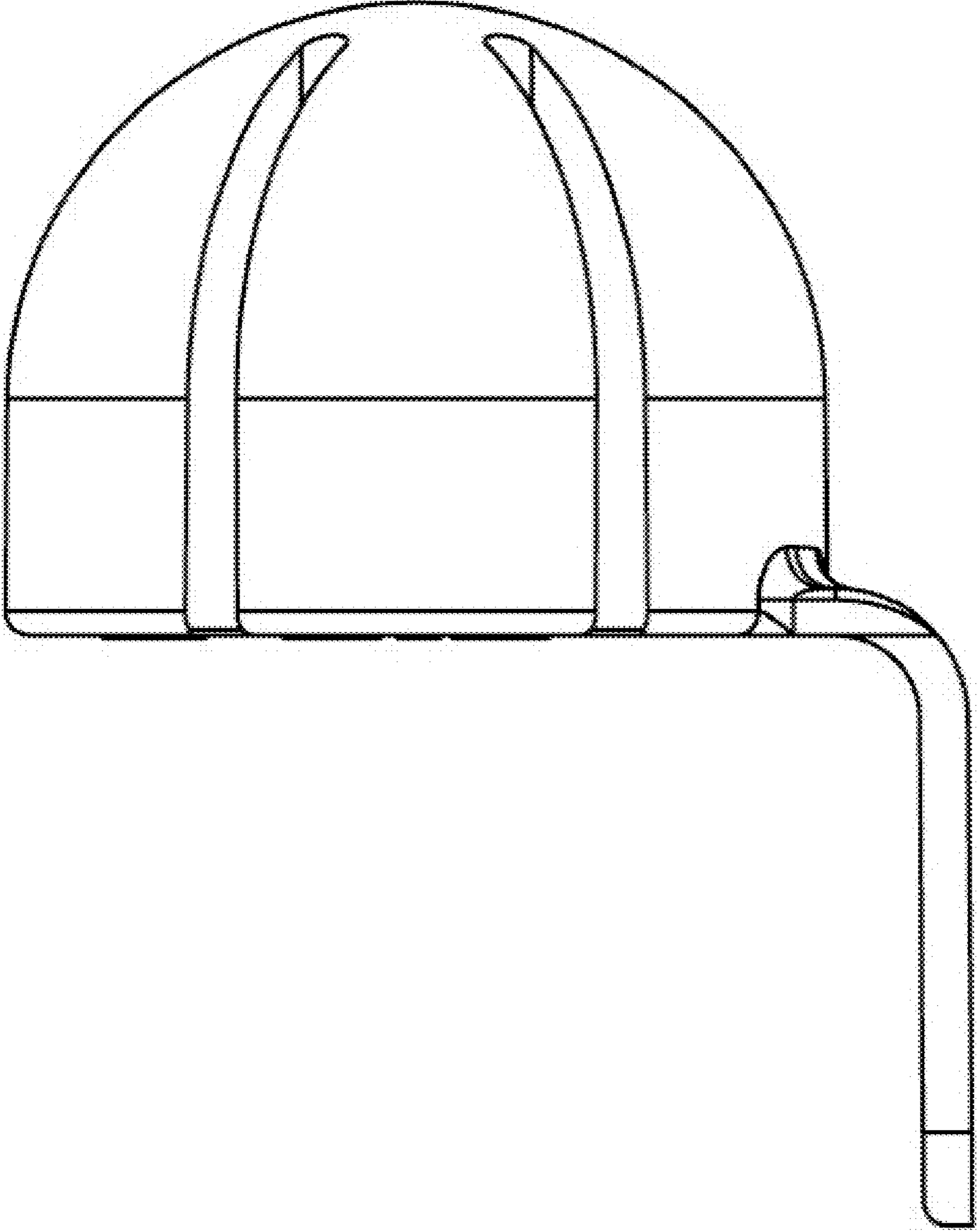


FIG. 1

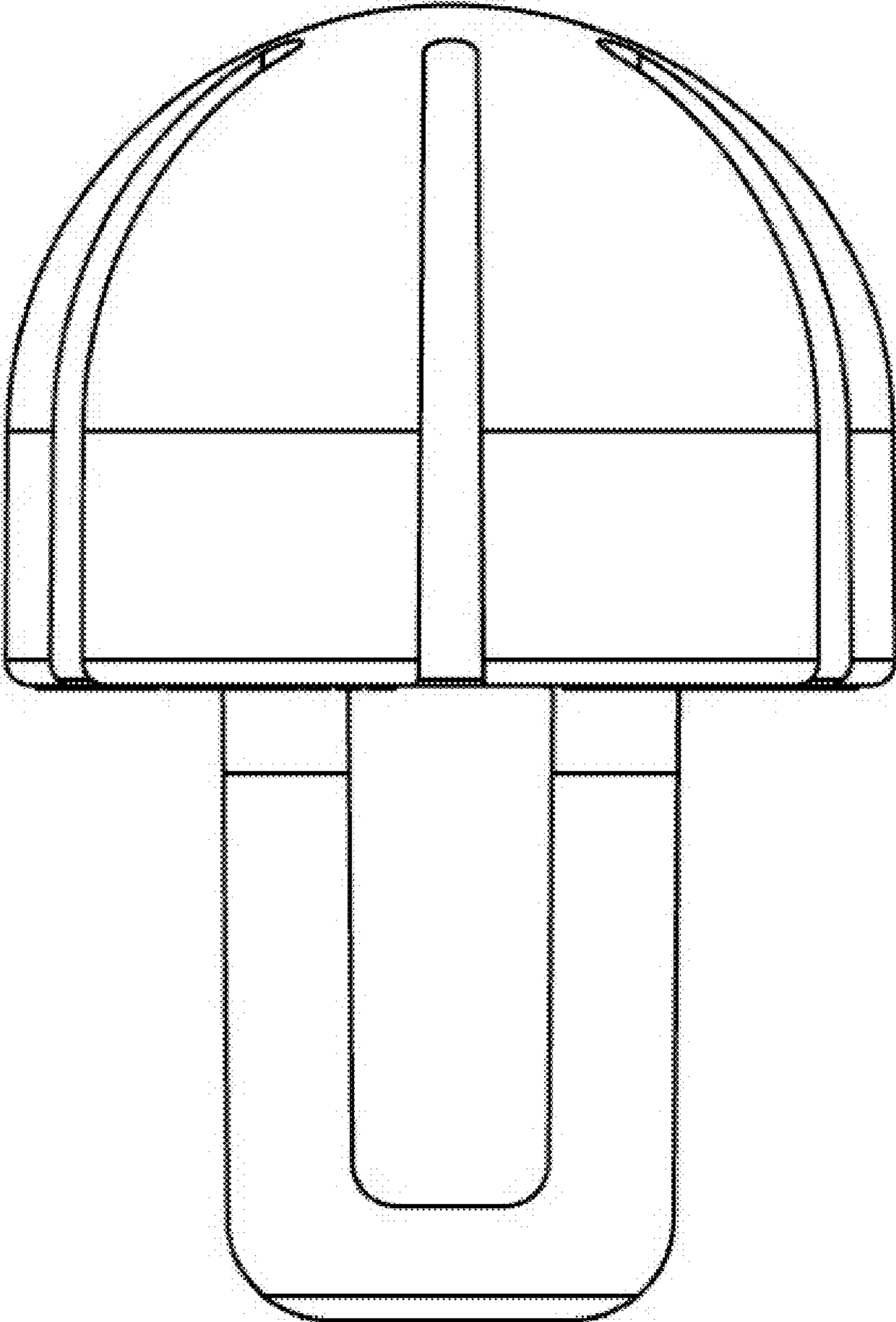


FIG. 2

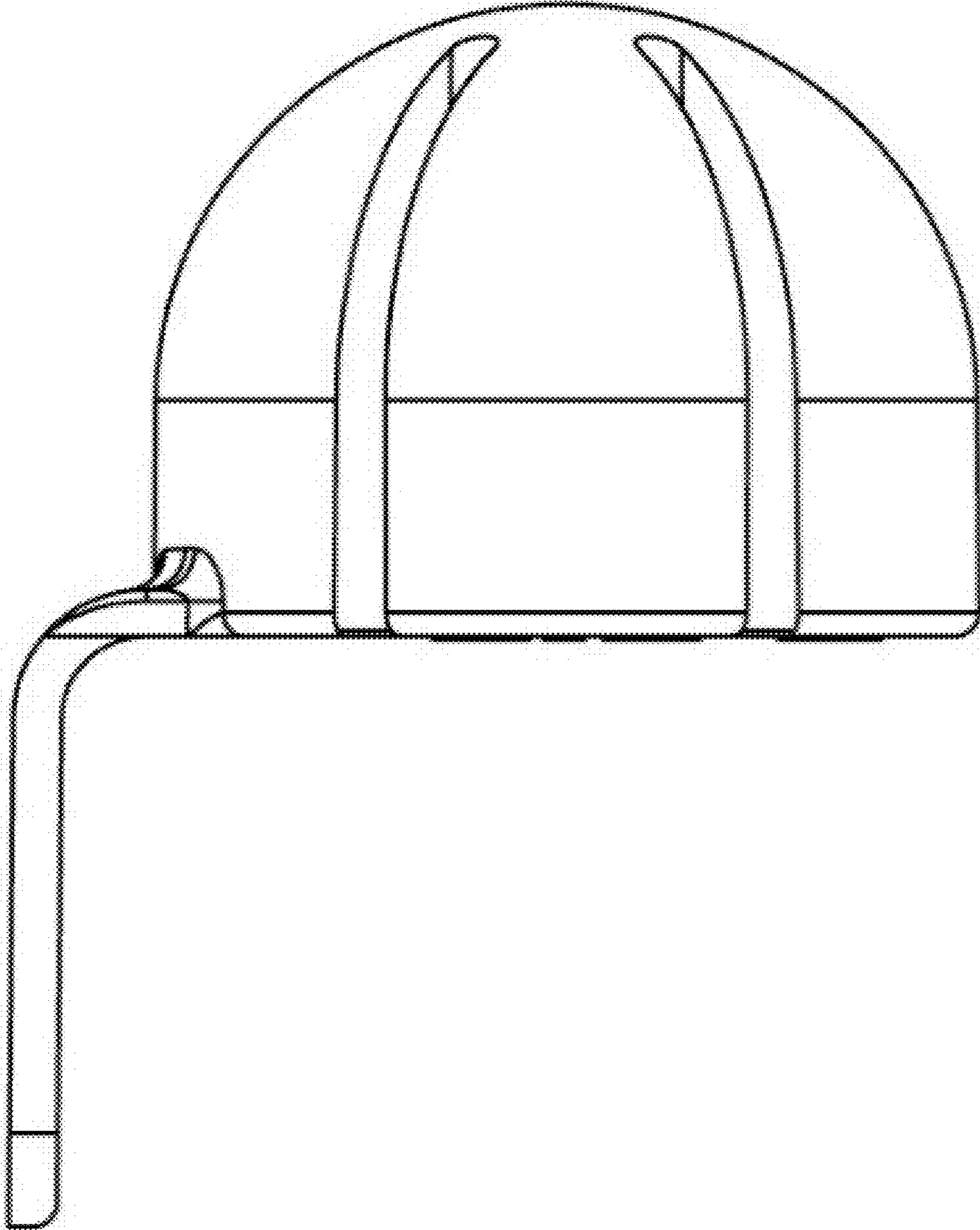


FIG. 3

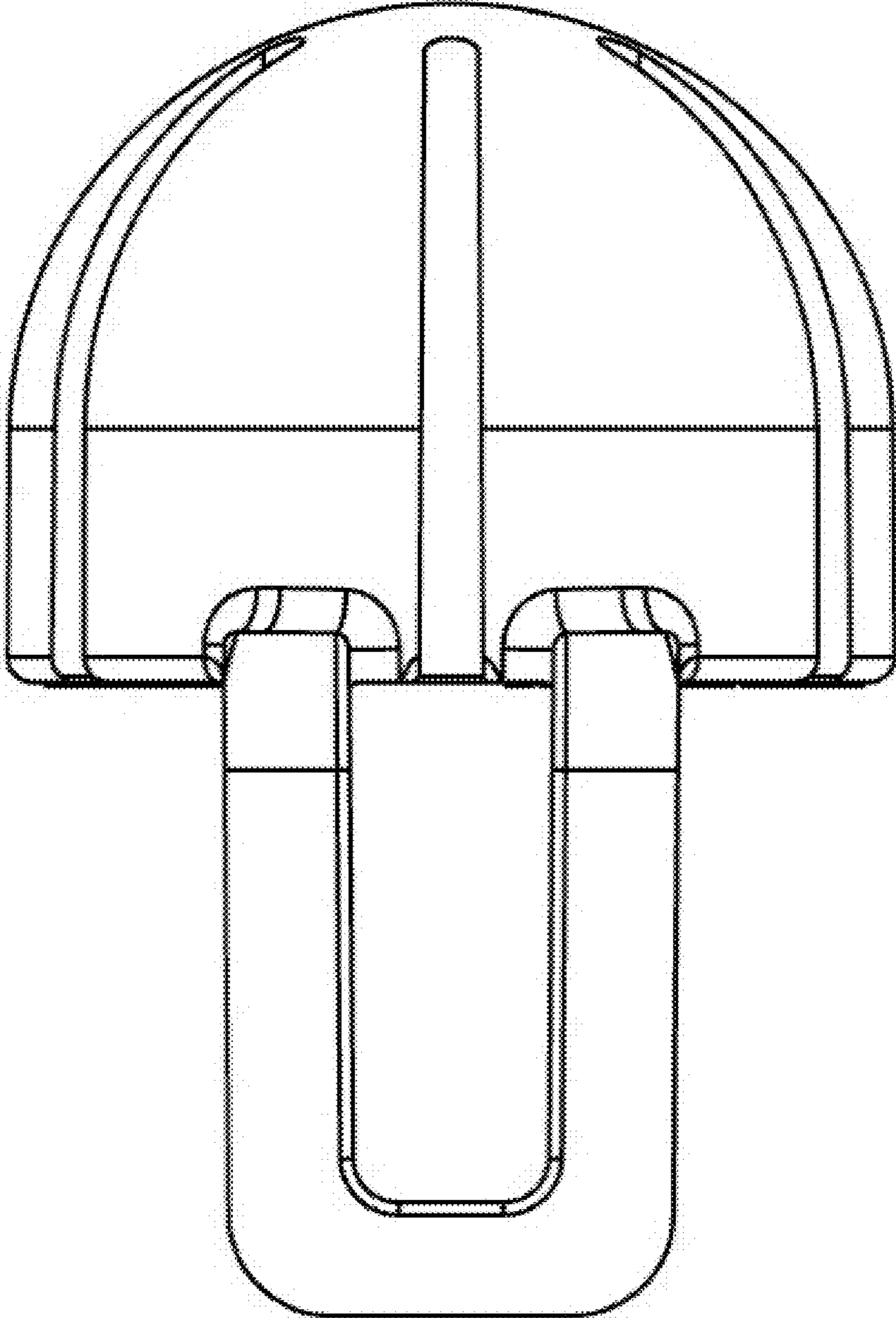


FIG. 4

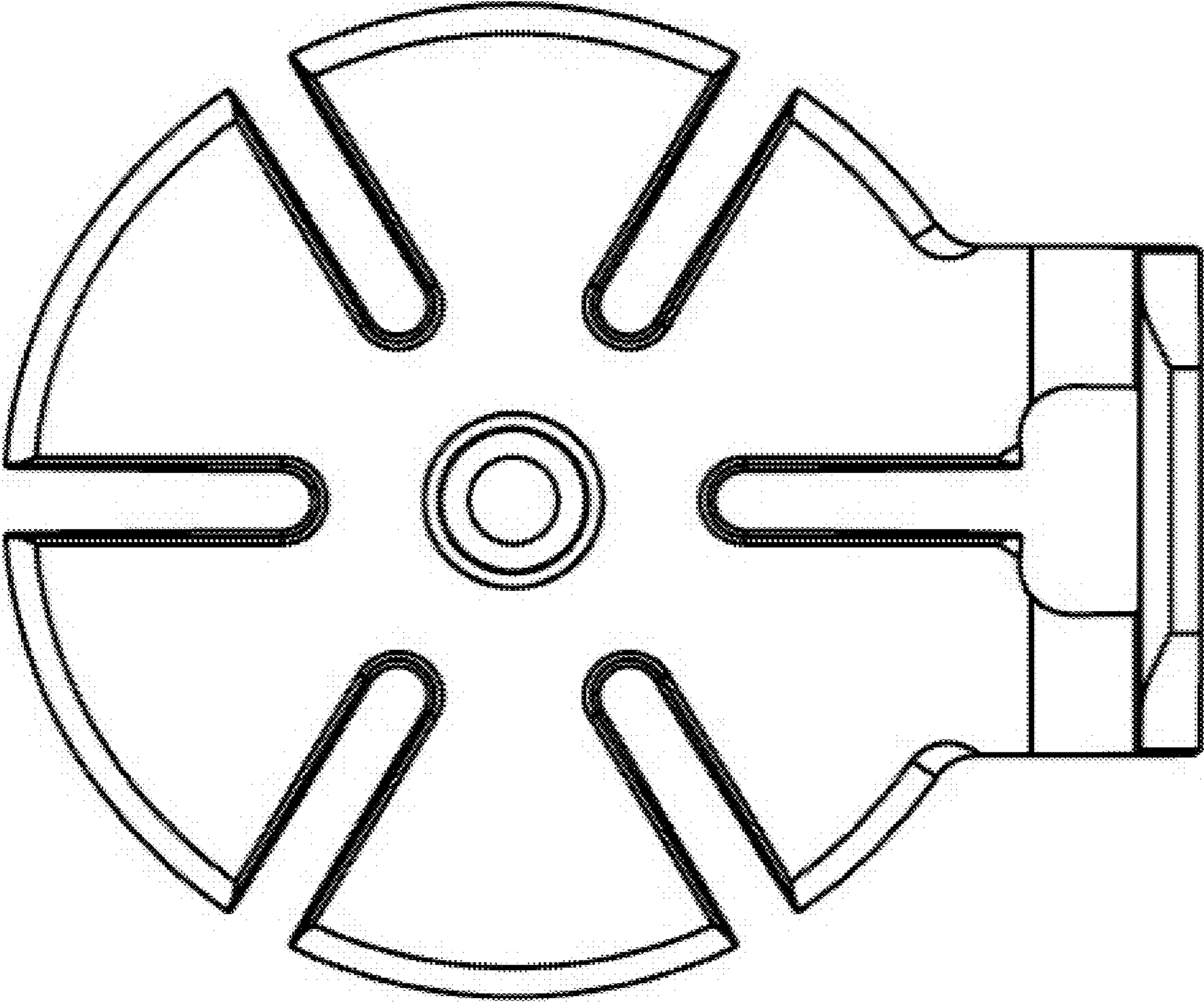


FIG. 5

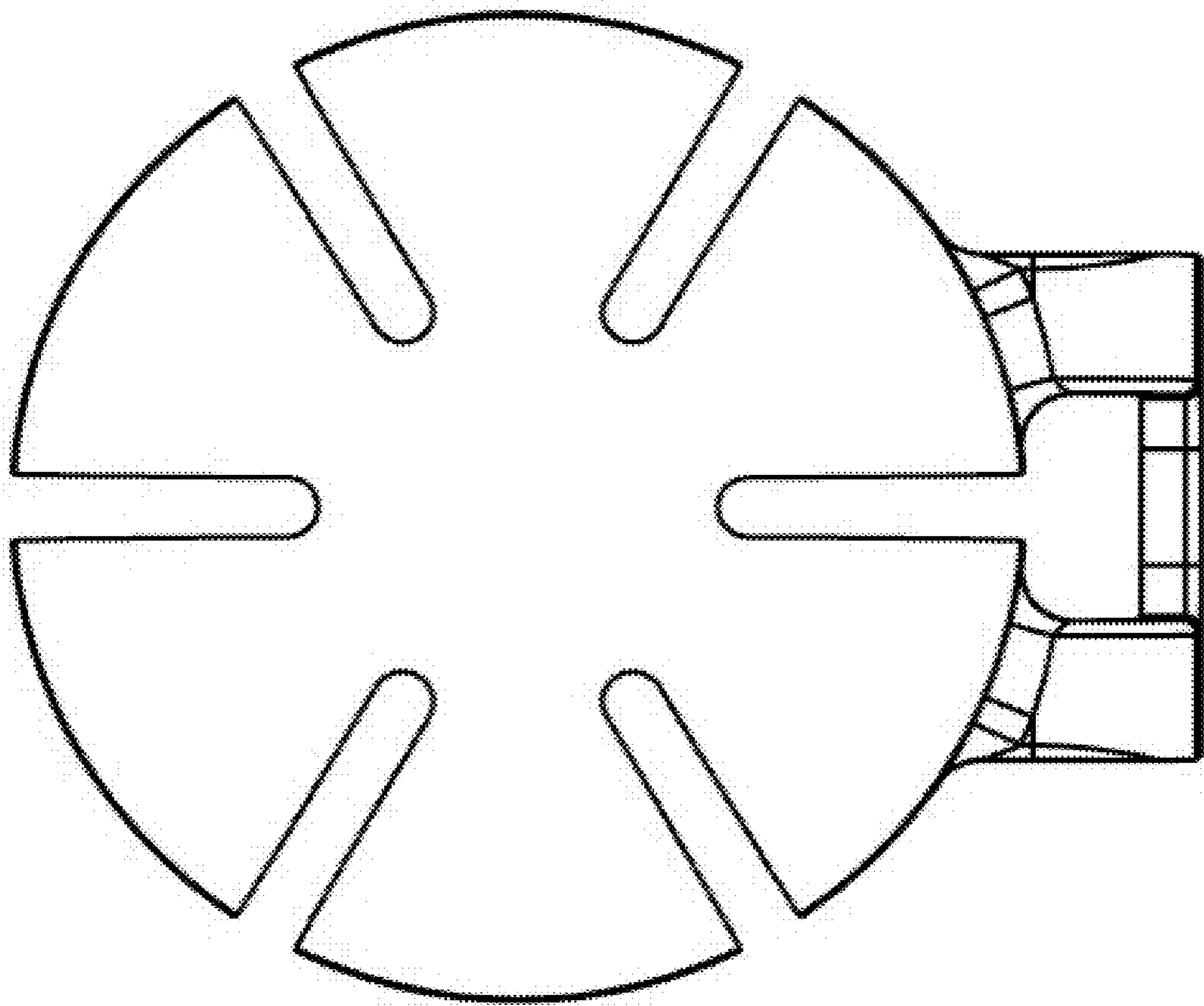


FIG. 6

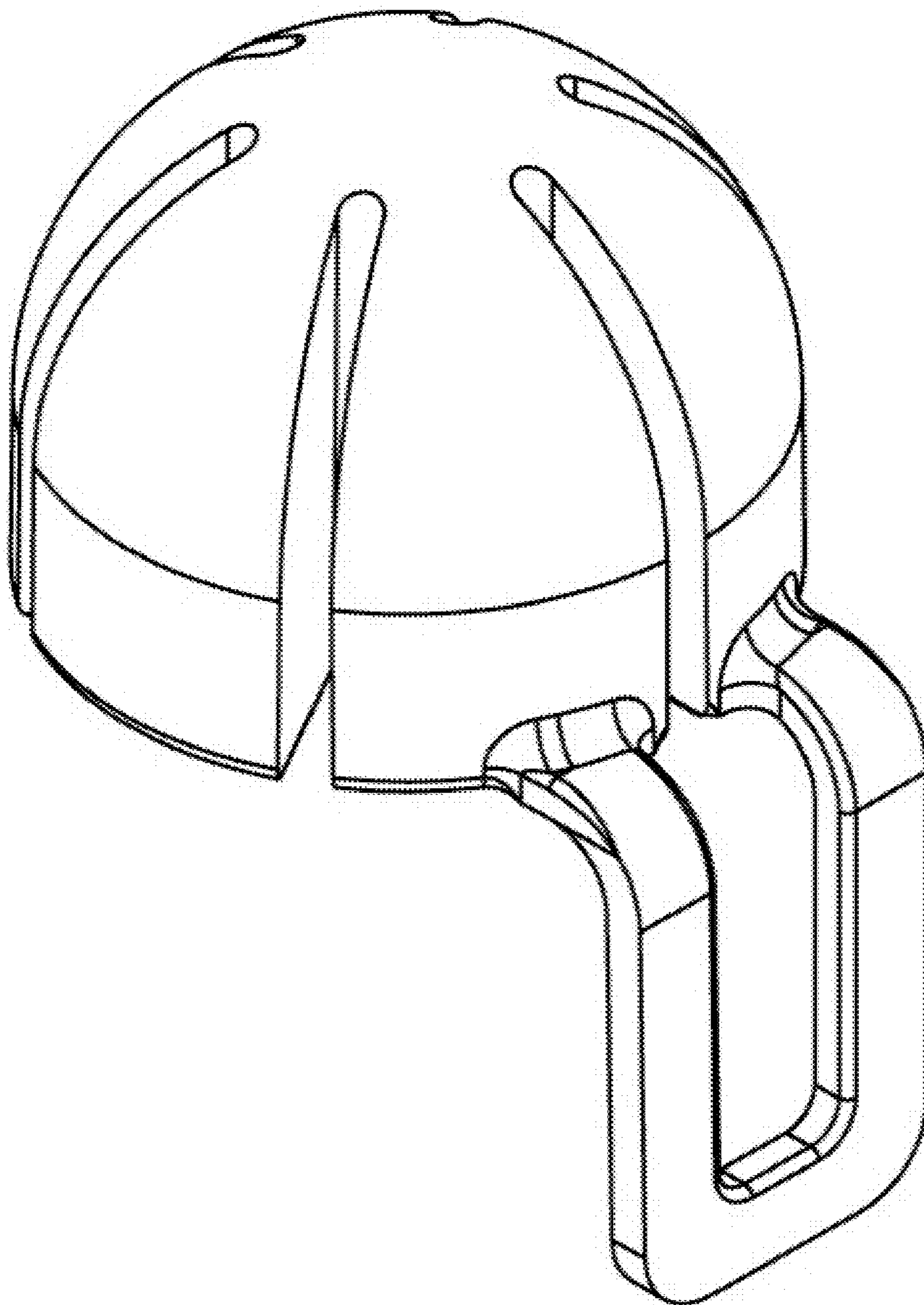


FIG. 7

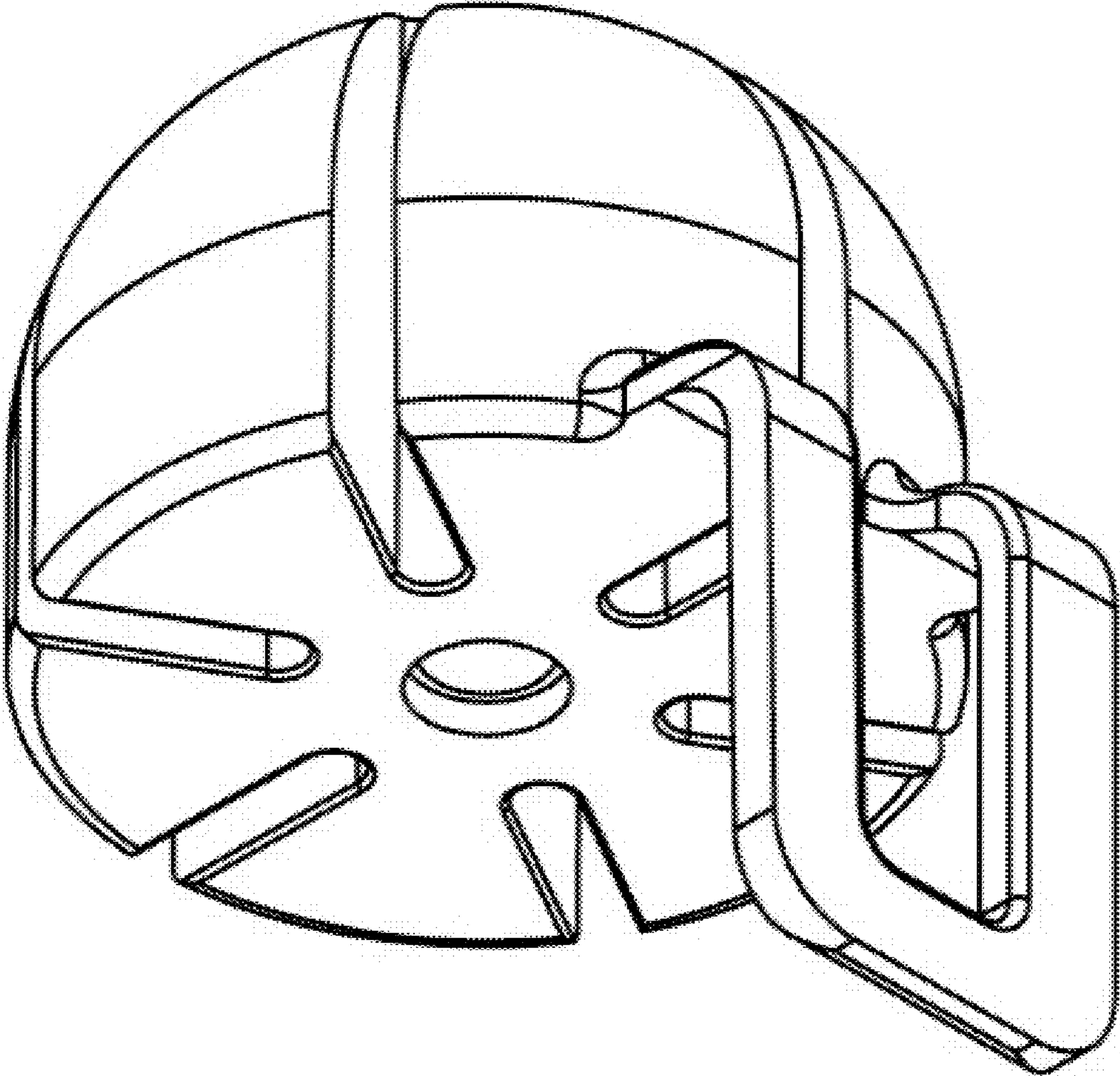


FIG. 8