



US00D899184S

(12) **United States Design Patent**
Contell

(10) **Patent No.:** **US D899,184 S**

(45) **Date of Patent:** **** Oct. 20, 2020**

(54) **FEEDER PART OF ELECTRIC FRUIT JUICER**

9,445,626 B2 * 9/2016 Contell A23N 1/003
D799,888 S * 10/2017 McClory D7/375
D799,890 S * 10/2017 McClory D7/375
10,130,118 B2 * 11/2018 Contell A23N 1/003
D856,587 S * 8/2019 Kamboj D28/73

(71) Applicant: **Zummo Innovaciones Mecanicas, S.A.**, Valencia (ES)

(72) Inventor: **Eugenio Contell**, Valencia (ES)

(73) Assignee: **ZUMMO INNOVACIONES MECANICAS, S.A.**, Valencia (ES)

(**) Term: **15 Years**

(21) Appl. No.: **29/735,438**

(22) Filed: **May 21, 2020**

Related U.S. Application Data

(62) Division of application No. 35/506,858, filed on Nov. 26, 2018 (U.S. filing date under 35 U.S.C. 384), and having an international filing date of Nov. 26, 2018.

(51) **LOC (12) Cl.** **07-99**

(52) **U.S. Cl.**
USPC **D7/412; D7/685**

(58) **Field of Classification Search**
USPC D7/372, 665, 666, 682, 412, 414;
D15/123

CPC .. A23N 1/02; A23N 1/003; A47J 19/02; A47J 19/027; A47J 19/022; A47J 10/022

See application file for complete search history.

(56) **References Cited**

U.S. PATENT DOCUMENTS

D465,697 S * 11/2002 Renz D7/376
D659,470 S * 5/2012 Narwankar A23N 1/003
D7/376

OTHER PUBLICATIONS

Screenshot: Zummo Z14C Citrus Juicer Demonstrational Video. Aug. 25, 2016; one page. Found online Jun. 24, 2020 at <https://www.youtube.com/watch?v=AjmKatQpk8w> (Year: 2016).*

* cited by examiner

Primary Examiner — Robert M. Spear

(74) *Attorney, Agent, or Firm* — Lucas & Mercanti, LLP

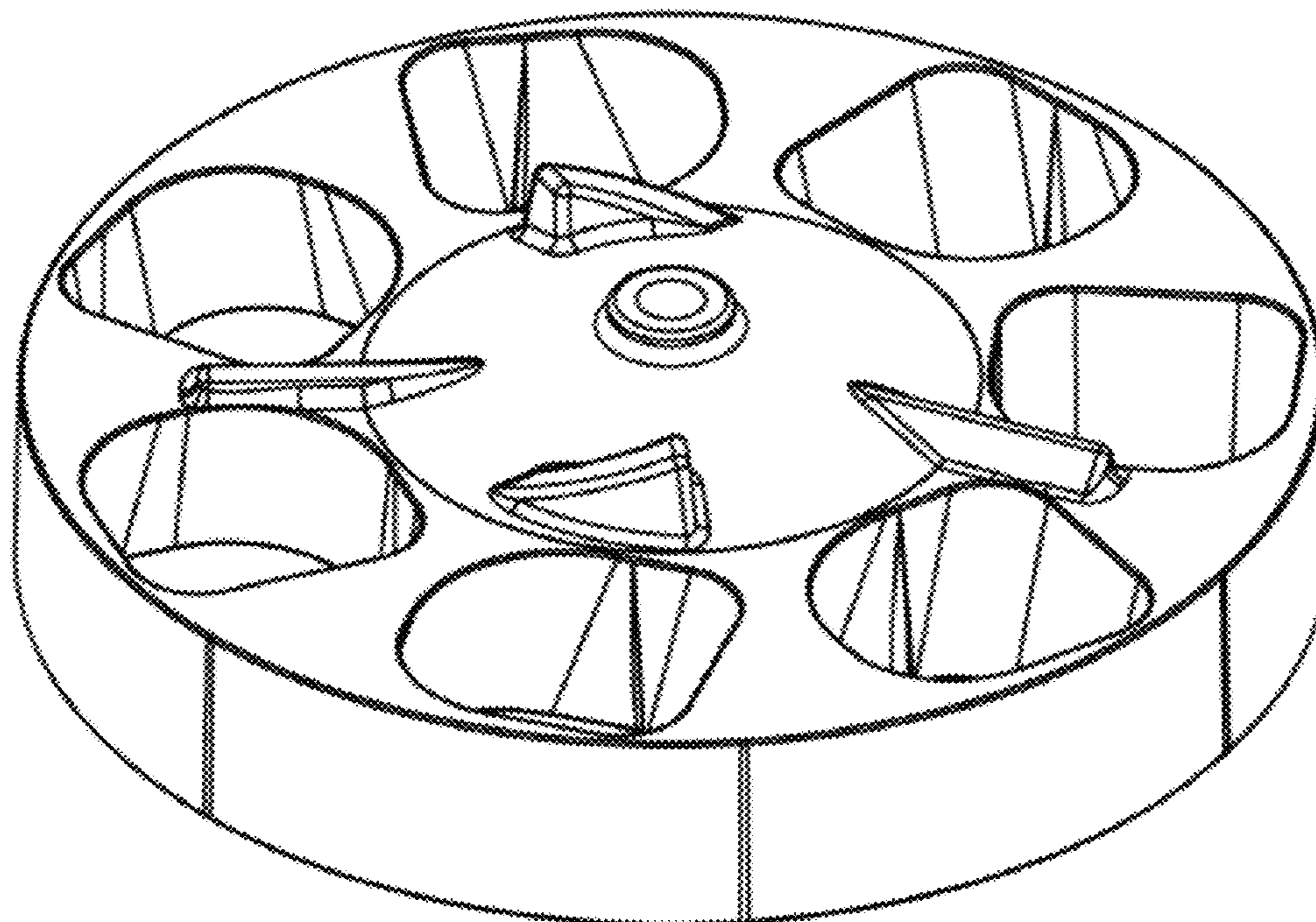
(57) **CLAIM**

The ornamental design for a feeder part of electric fruit juicer, as shown and described.

DESCRIPTION

FIG. 1 is a front view of the feeder part of electric fruit juicer according to the design;
FIG. 2 is a back view thereof;
FIG. 3 is a left side view thereof;
FIG. 4 is a right side view thereof;
FIG. 5 is a bottom plan view thereof;
FIG. 6 is a top plan view thereof;
FIG. 7 is a top perspective view thereof; and,
FIG. 8 is a bottom perspective view thereof.

1 Claim, 8 Drawing Sheets



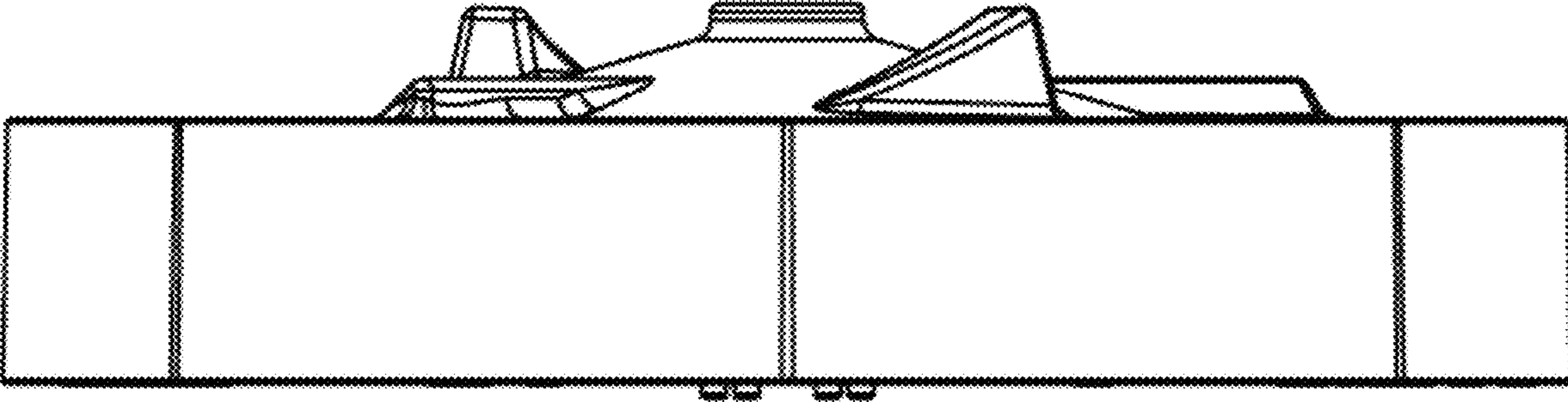


FIG. 1

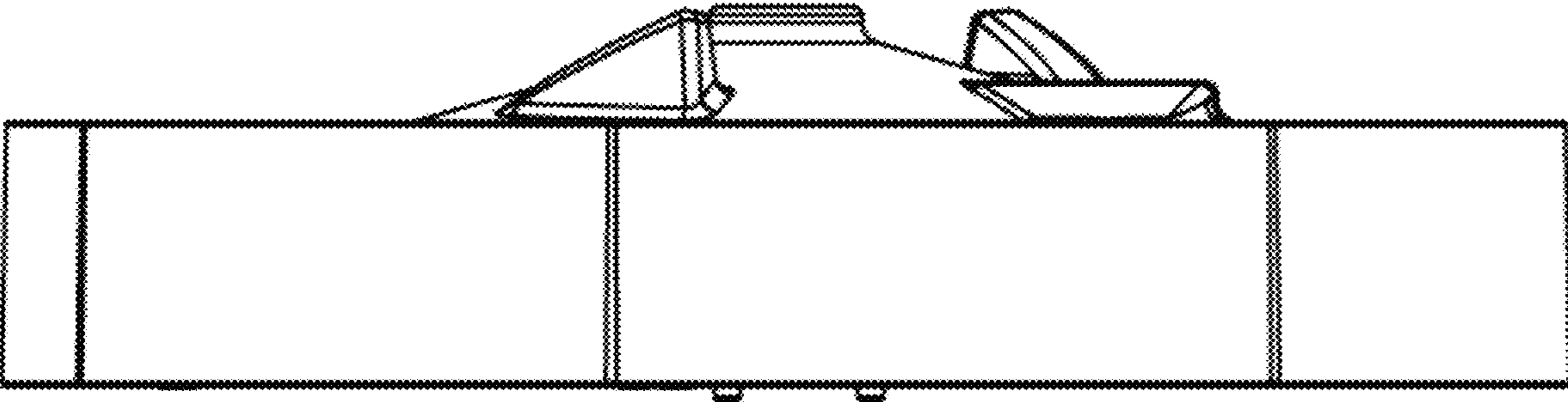


FIG. 2

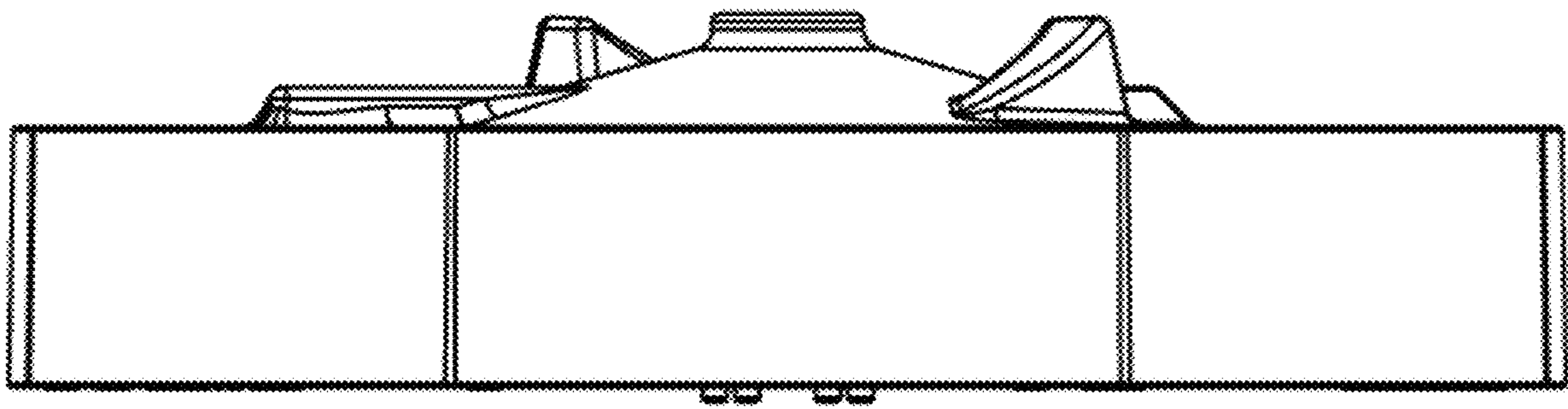


FIG. 3

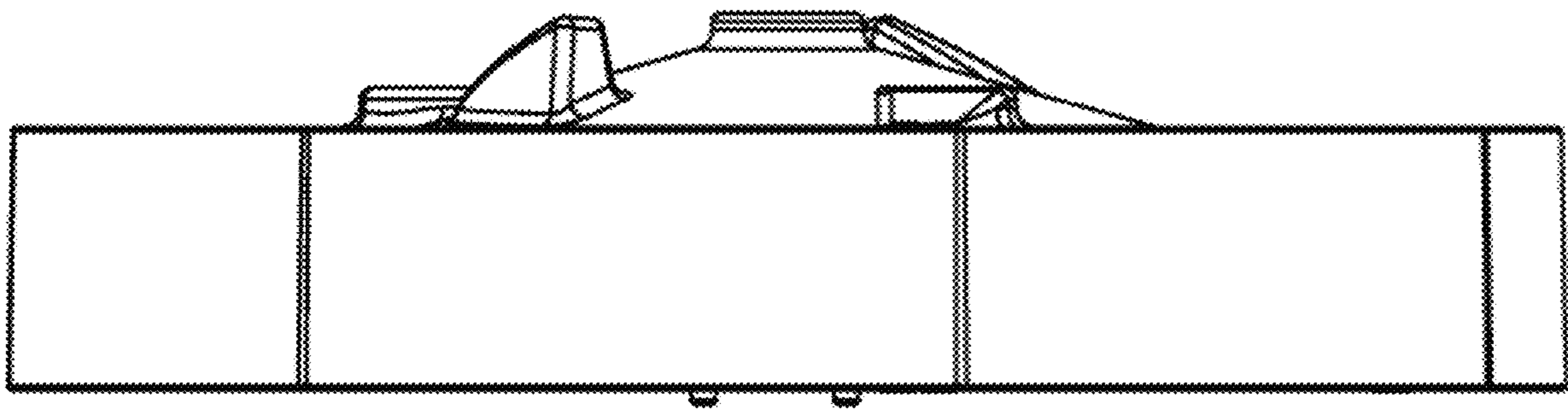


FIG. 4

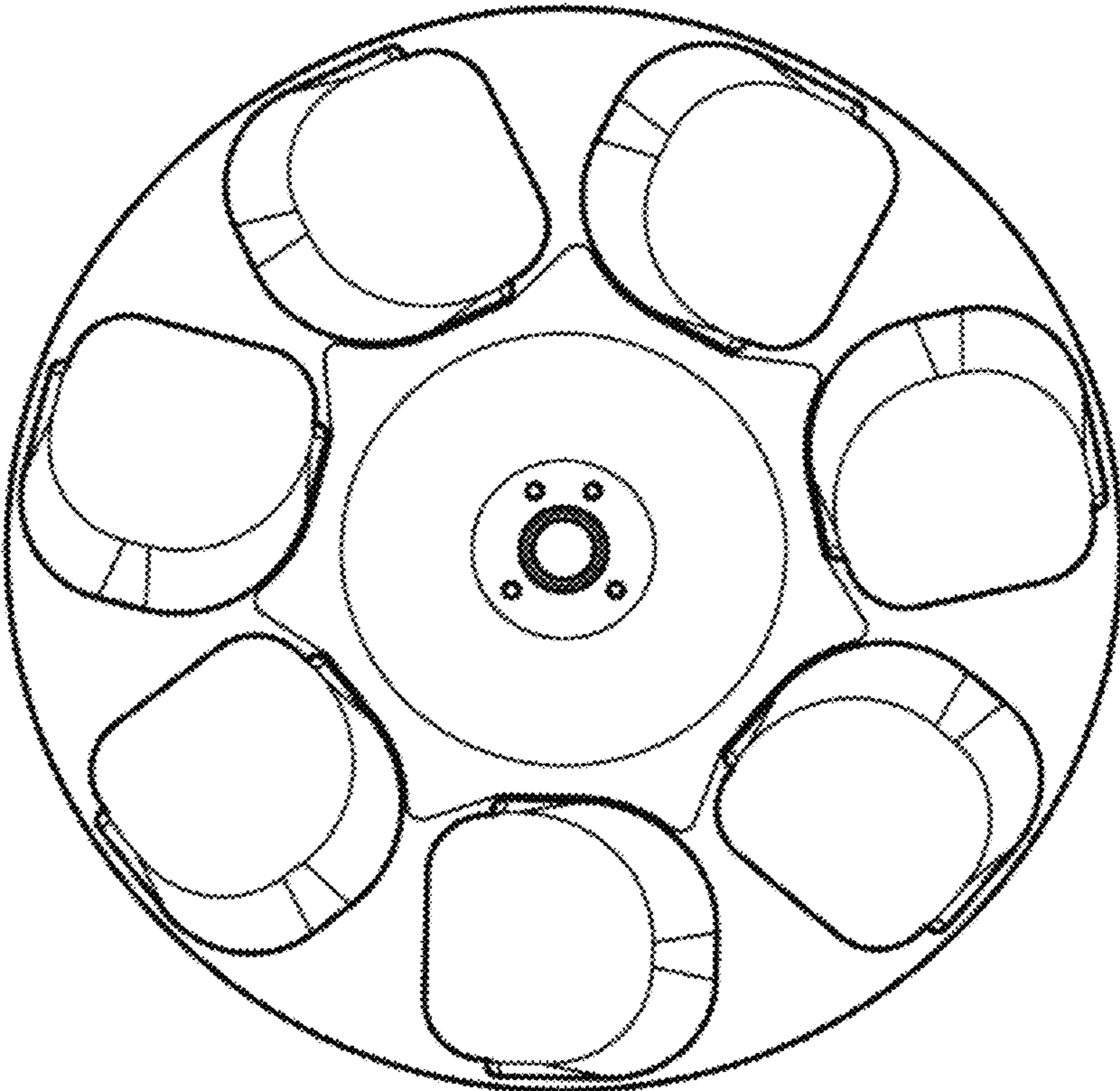


FIG. 5

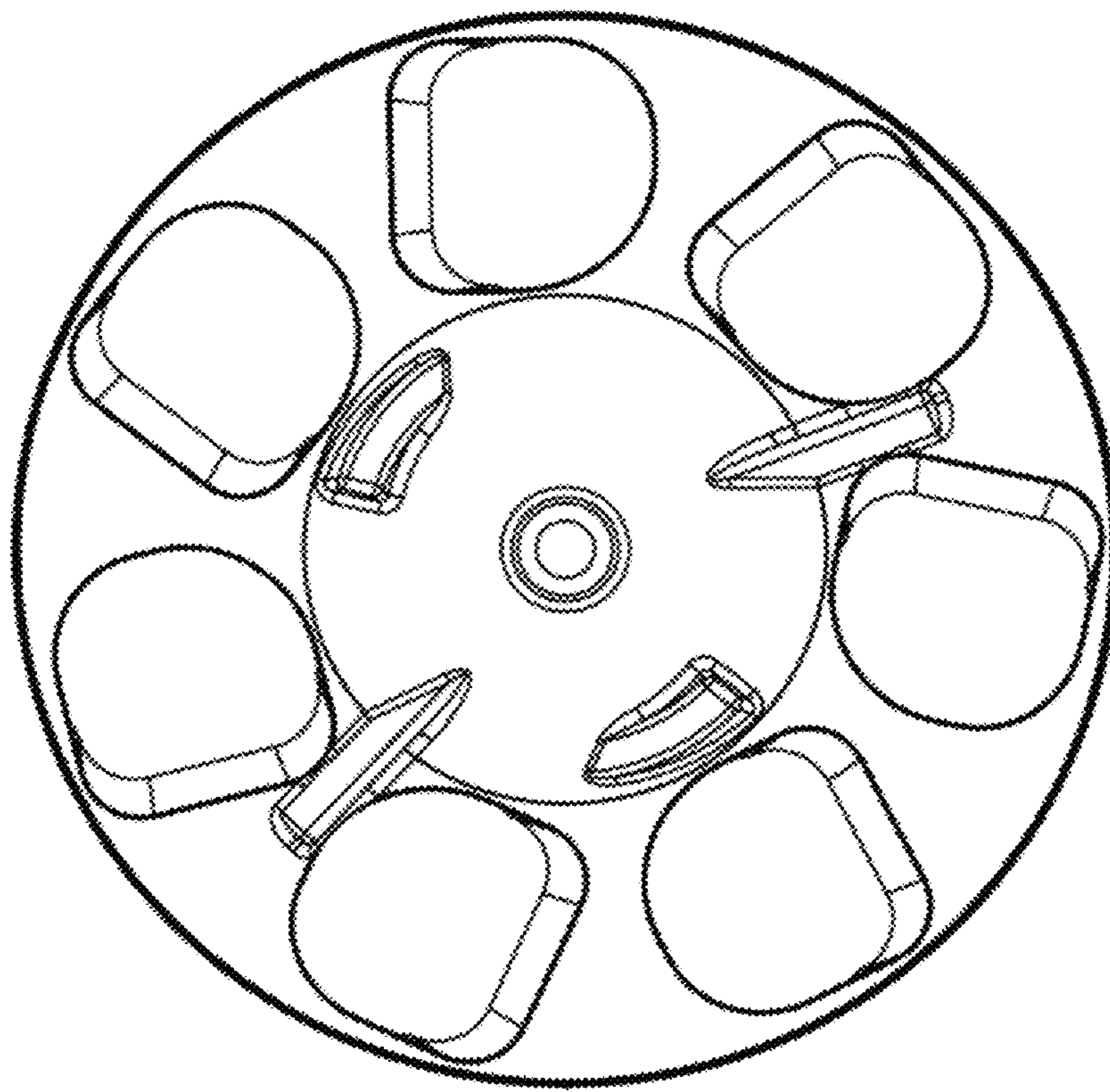


FIG. 6

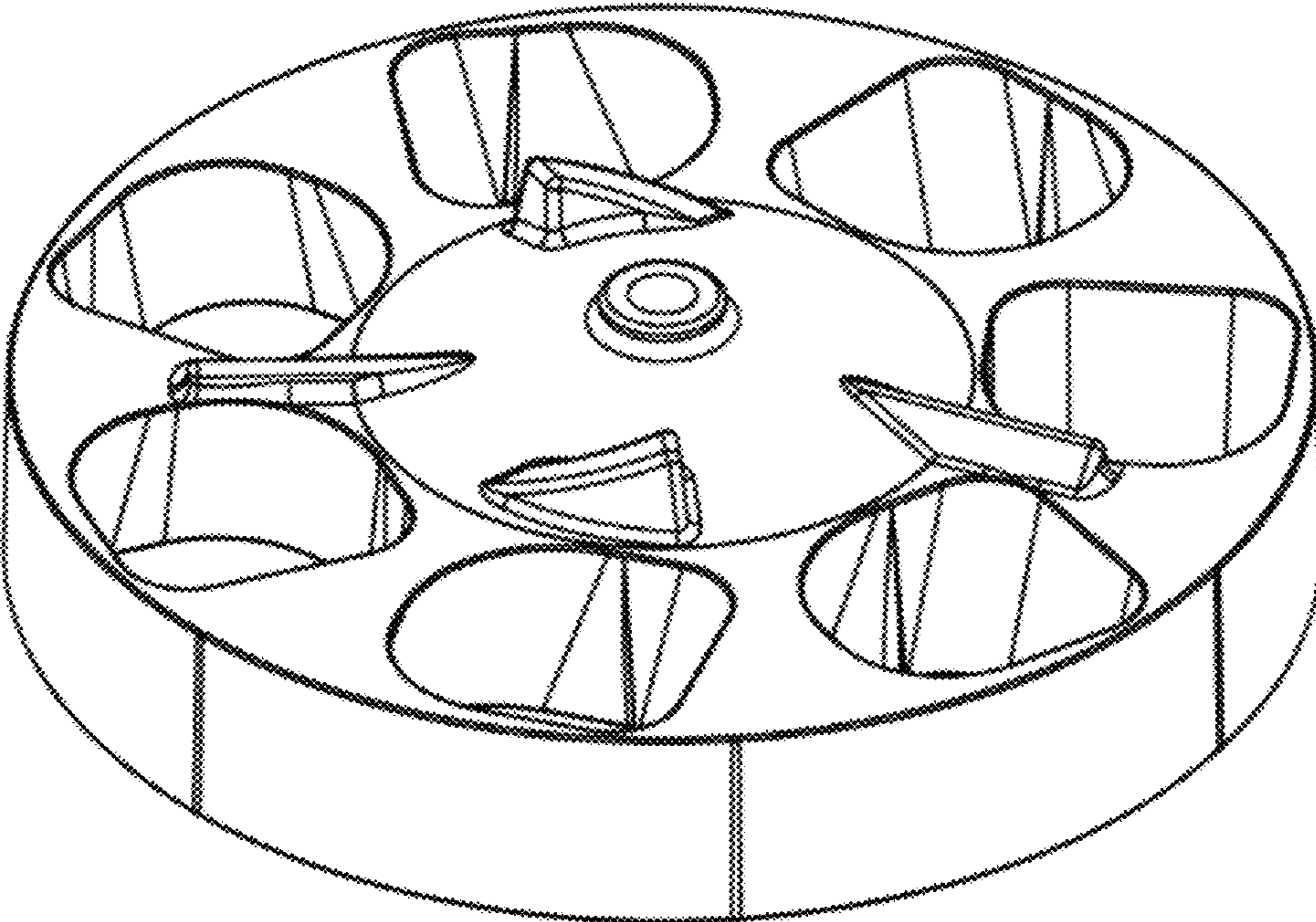


FIG. 7

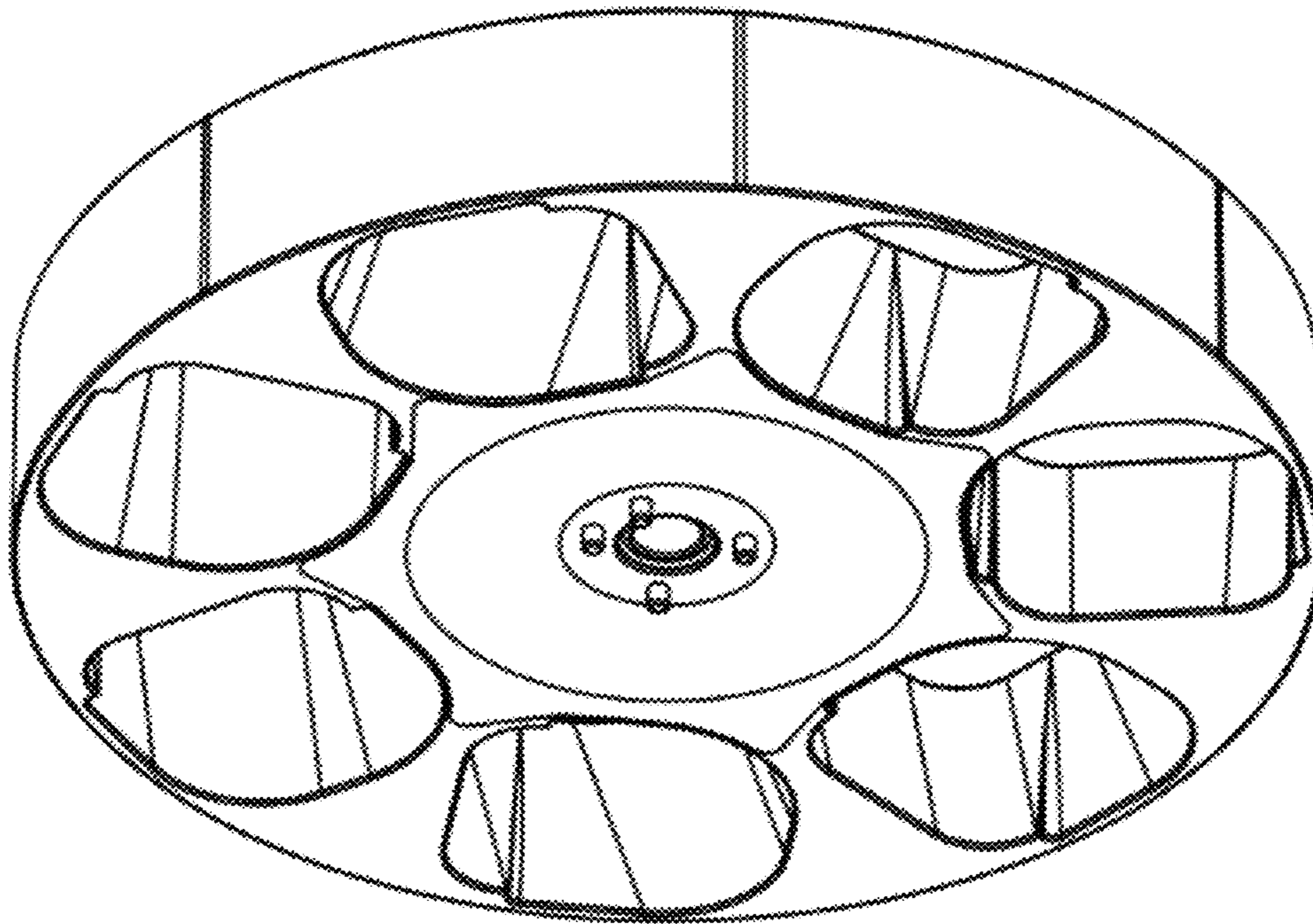


FIG. 8