

US00D899182S

(12) **United States Design Patent**
Brown

(10) **Patent No.:** **US D899,182 S**
(45) **Date of Patent:** **** Oct. 20, 2020**

(54) **SOAKING BASKET AND CONTAINER**

(71) Applicant: **AFG Distribution, Inc.**, Asheville, NC (US)

(72) Inventor: **Matthew Brown**, Asheville, NC (US)

(73) Assignee: **AFG Distribution, Inc.**, Asheville, NC (US)

(**) Term: **15 Years**

(21) Appl. No.: **29/679,559**

(22) Filed: **Feb. 7, 2019**

(51) **LOC (12) Cl.** **07-99**

(52) **U.S. Cl.**
USPC **D7/399**; D7/400; D7/667

(58) **Field of Classification Search**
USPC D7/305, 400, 354, 638, 321, 397, 399,
D7/317, 316, 312, 300.1, 300, 309, 311,
D7/510, 667; D23/261; D32/55
CPC A23F 3/18; A23F 3/00; A47J 31/06; A47J
31/547; A47J 36/027
See application file for complete search history.

(56) **References Cited**

U.S. PATENT DOCUMENTS

5,853,581	A *	12/1998	Rayborn	A47J 43/24 210/241
5,935,435	A *	8/1999	Hasler	B01D 29/085 210/232
5,988,050	A *	11/1999	Foster, Jr.	A47J 47/10 210/241
6,159,363	A *	12/2000	Collins	C02F 1/003 210/136
7,255,379	B1 *	8/2007	Adams, Jr.	A47J 36/20 248/211
D558,532	S *	1/2008	Peterson	D7/615
D579,616	S *	10/2008	Li	D32/55

D624,786	S *	10/2010	Frank	D7/400
D694,579	S *	12/2013	Khubani	D7/400
D717,594	S *	11/2014	Taketani	D7/400
D735,534	S *	8/2015	Berlepsch	D7/545
D764,864	S *	8/2016	Hertaus	D7/400
9,629,379	B2 *	4/2017	Lown	A23F 3/00
D845,704	S *	4/2019	Xu	D7/400
D869,901	S *	12/2019	Huang	D7/400
D876,887	S *	3/2020	Barber	D7/392.1
2009/0178573	A1 *	7/2009	Pan	A47J 31/20 99/323
2011/0056386	A1 *	3/2011	Taketani	A47J 31/0631 99/317
2014/0174965	A1 *	6/2014	Herling	A47J 31/20 206/216
2014/0251152	A1 *	9/2014	Tien	A47J 31/446 99/322

* cited by examiner

Primary Examiner — Marianne N Pandozzi

(74) *Attorney, Agent, or Firm* — William G. Heedy; The Van Winkle Law Firm

(57) **CLAIM**

The ornamental design for a soaking basket and container, as shown and described.

DESCRIPTION

FIG. 1 is a perspective view of a soaking basket and container;

FIG. 2 is a front elevational view thereof;

FIG. 3 is a rear elevational view thereof;

FIG. 4 is a left side elevational view thereof;

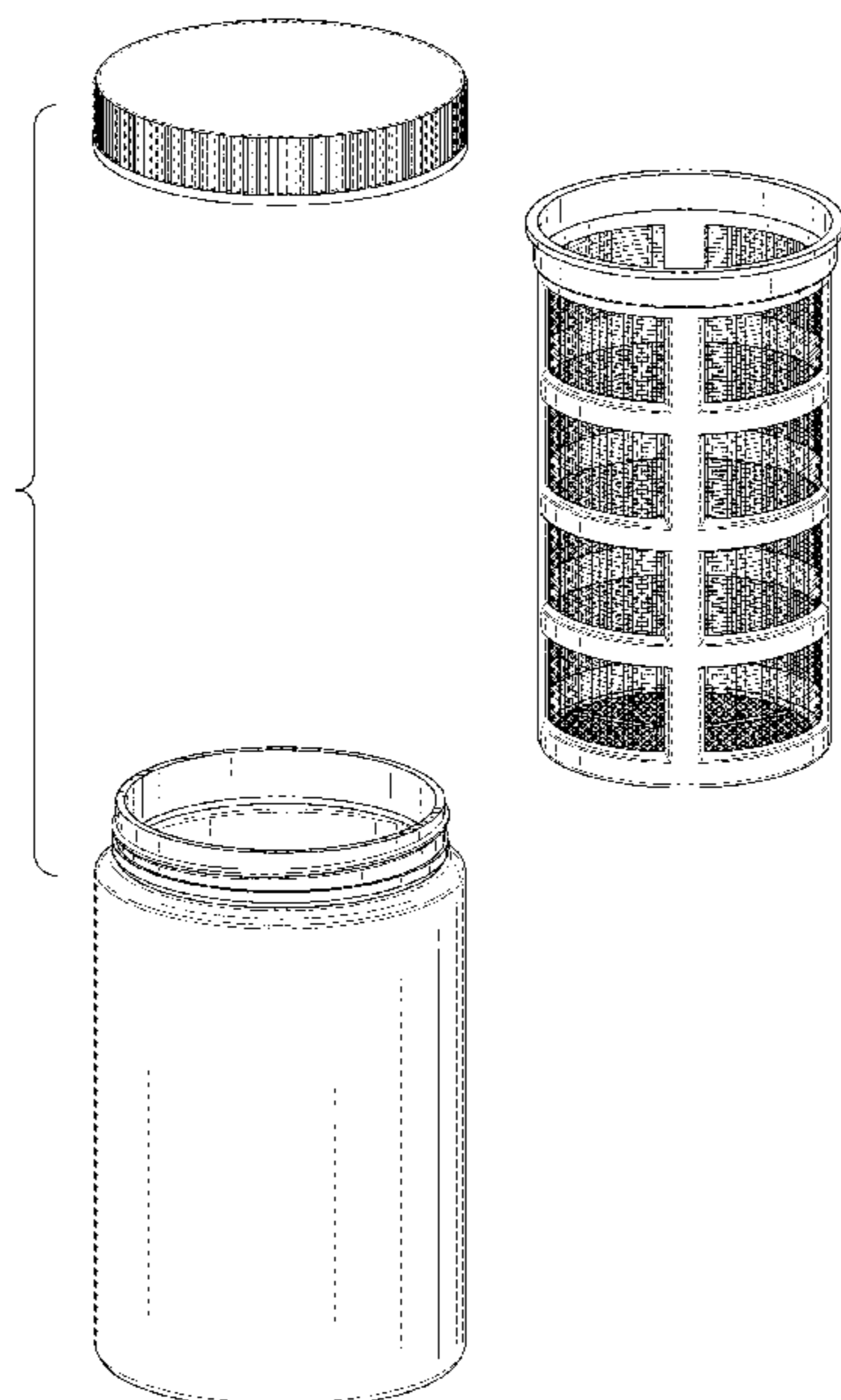
FIG. 5 is a right side elevational view thereof;

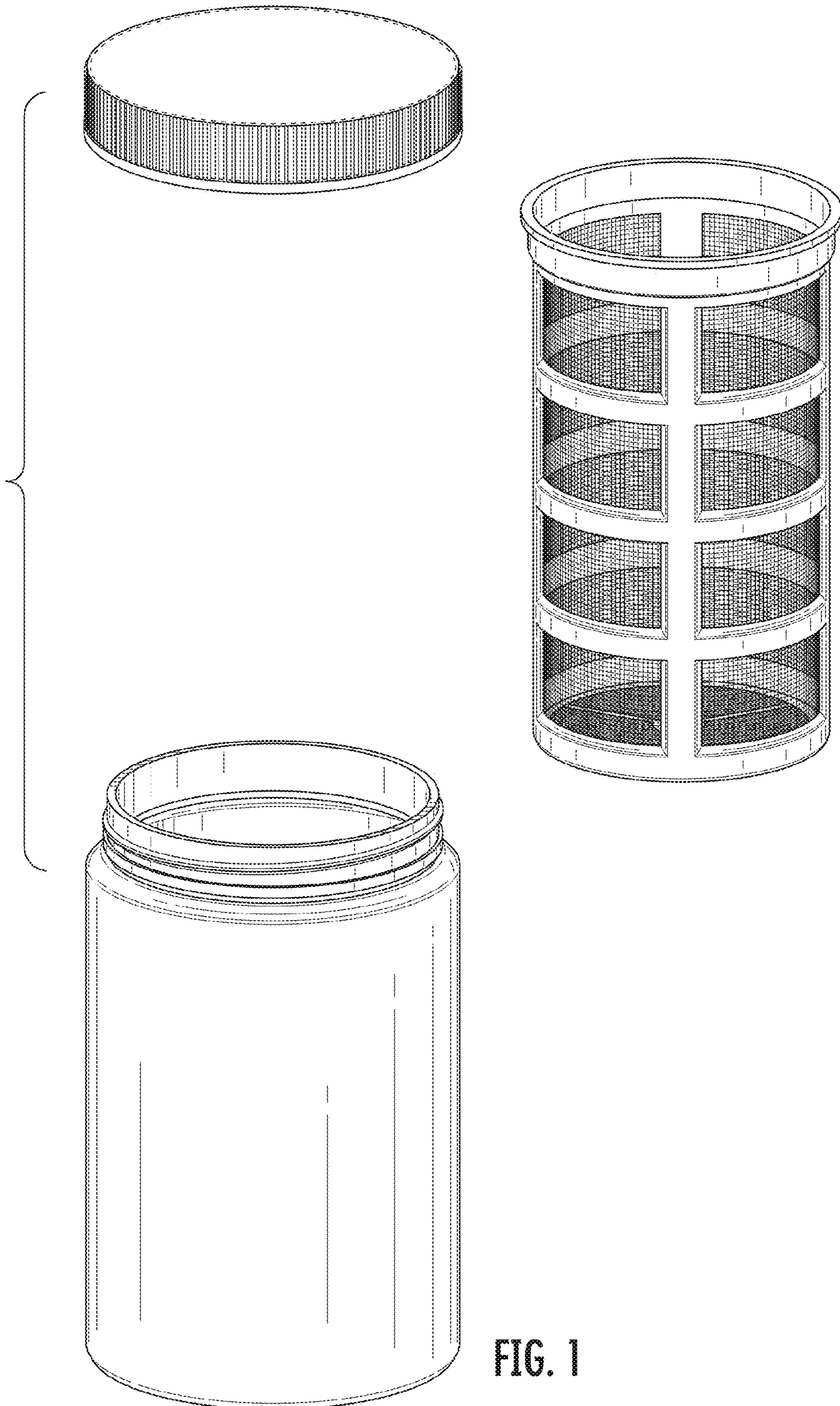
FIG. 6 is a top plan view thereof; and,

FIG. 7 is a bottom plan view thereof.

The broken lines in the drawings depict portions of the soaking basket and container that form no part of the claimed design.

1 Claim, 6 Drawing Sheets





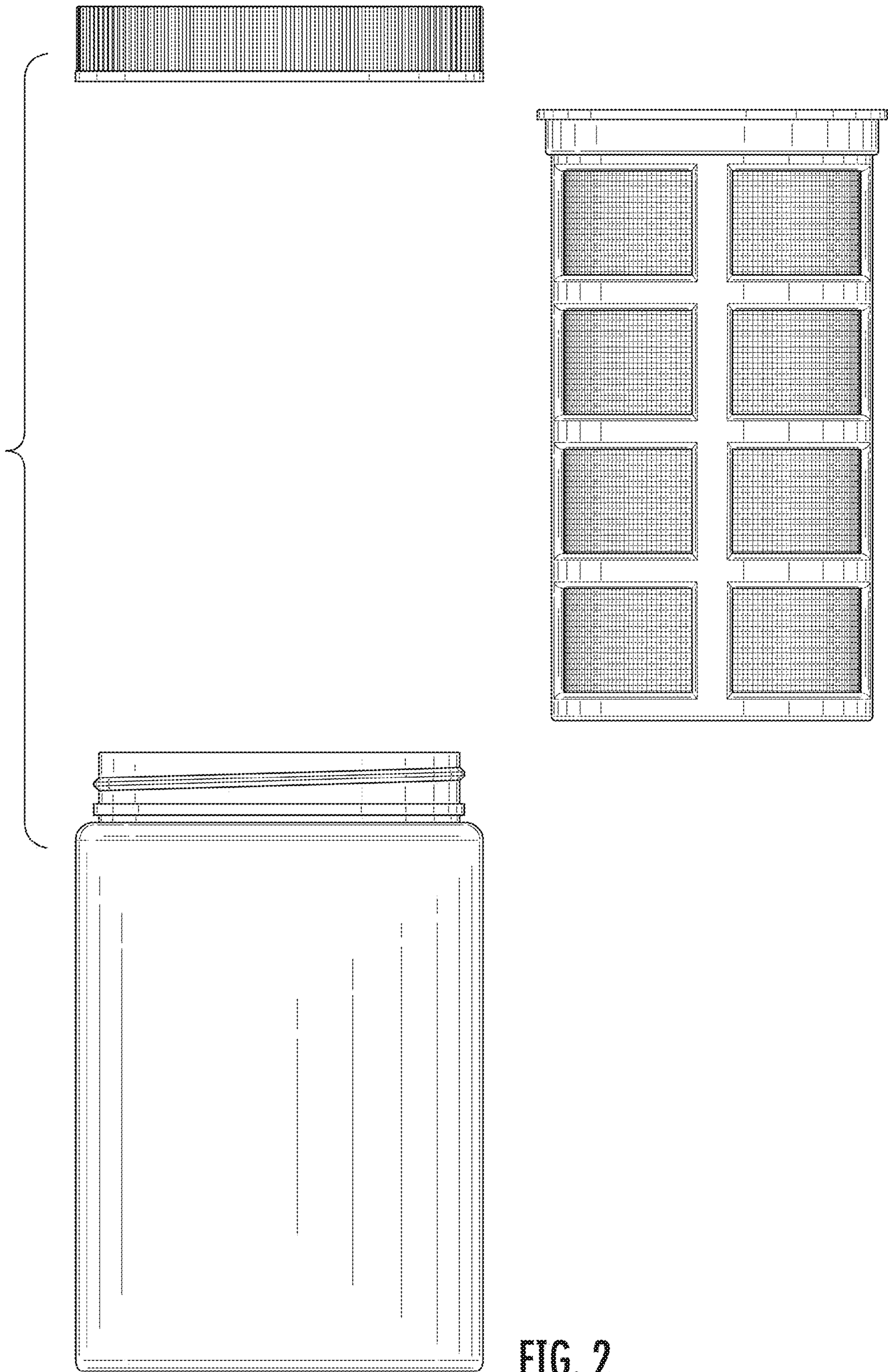


FIG. 2

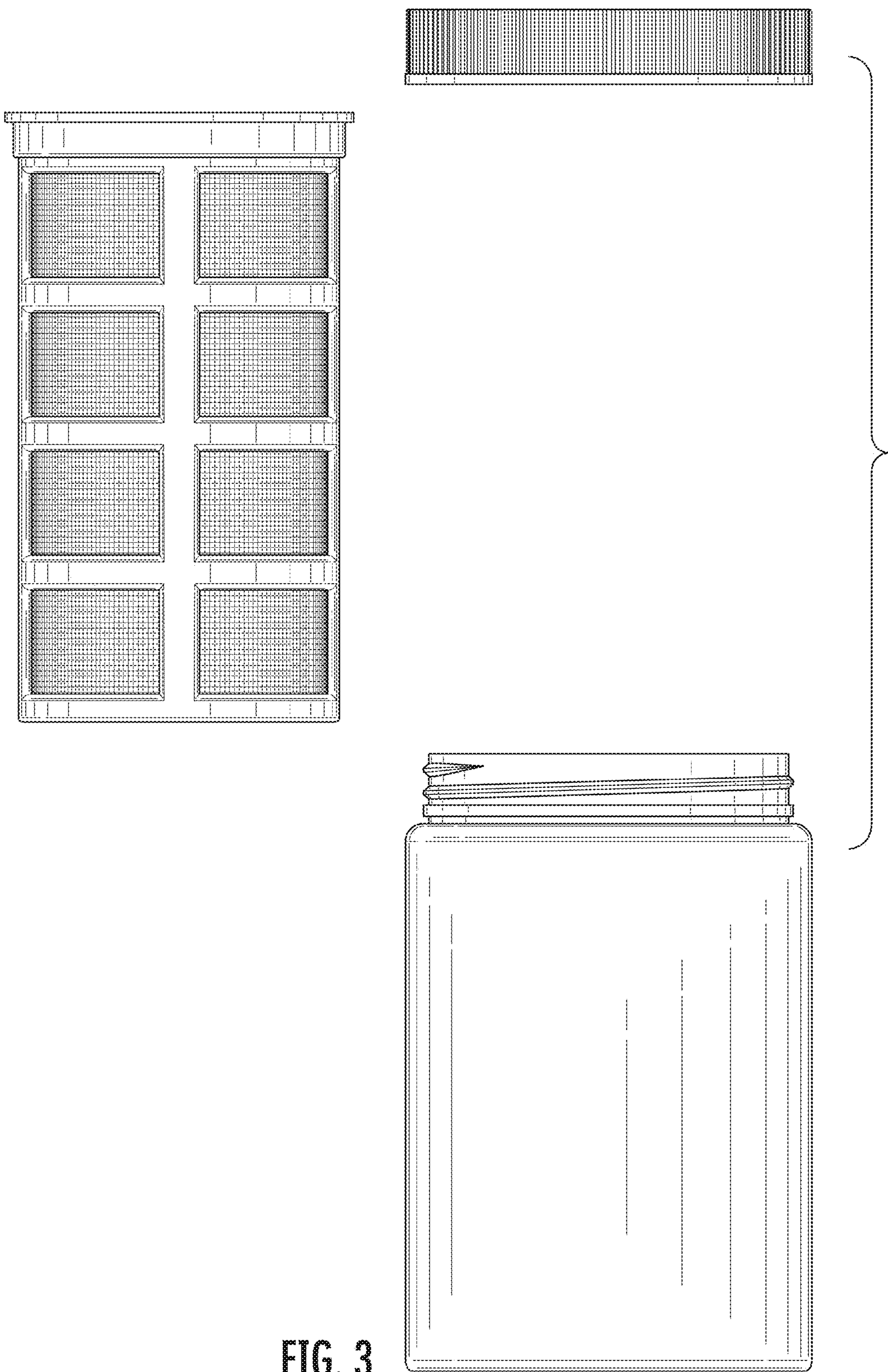


FIG. 3

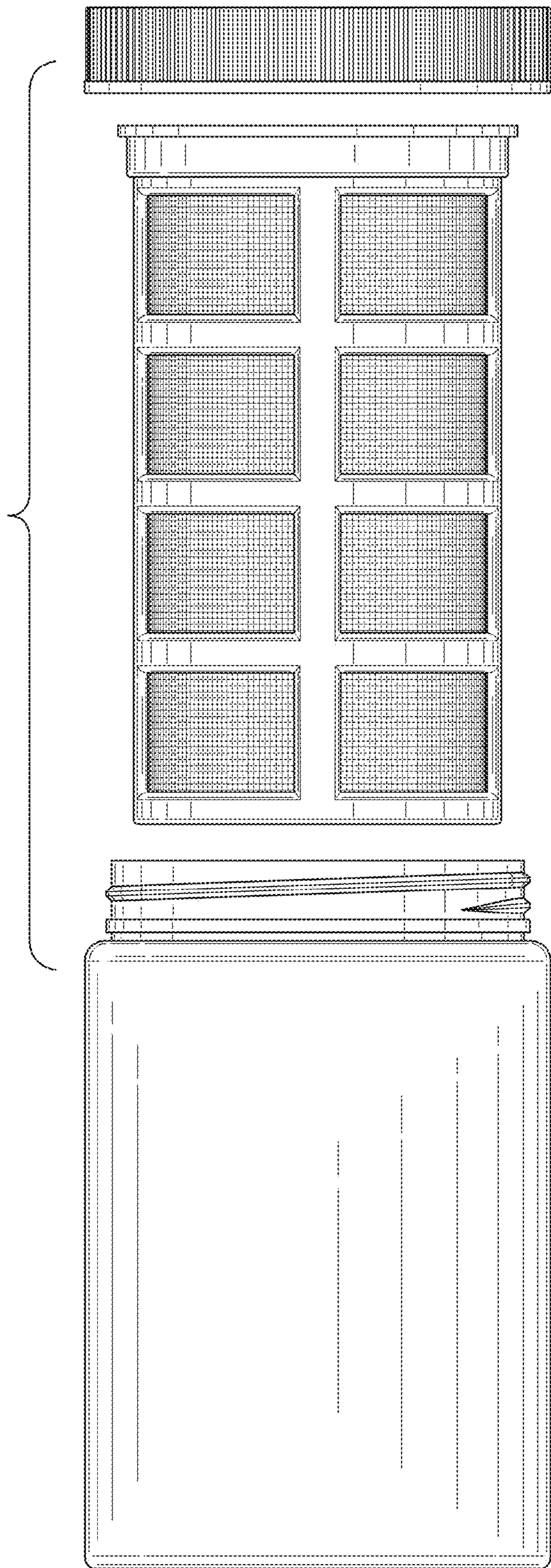


FIG. 4

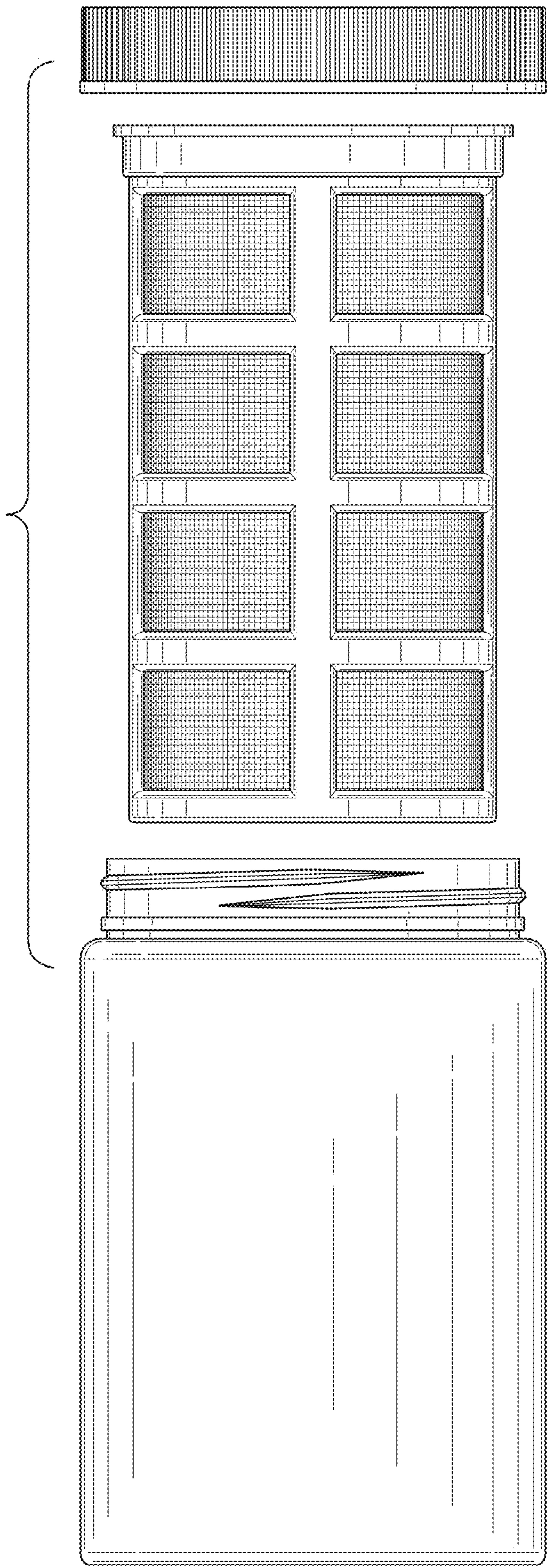


FIG. 5

