



US00D899181S

(12) **United States Design Patent** (10) **Patent No.:** **US D899,181 S**  
**Xie** (45) **Date of Patent:** **\*\* Oct. 20, 2020**

(54) **LID FOR BEVERAGE CONTAINER**  
(71) Applicant: **Shenzhenshi Baozhixia Keji youxiangongsi**, Shenzhen, Guangdong (CN)  
(72) Inventor: **Zhixia Xie**, Guangdong Province (CN)  
(\*\*) Term: **15 Years**  
(21) Appl. No.: **29/728,866**  
(22) Filed: **Mar. 23, 2020**  
(51) **LOC (12) Cl.** ..... **07-99**  
(52) **U.S. Cl.**  
USPC ..... **D7/392.1; D7/396.2; D9/443; D9/452**  
(58) **Field of Classification Search**  
USPC ..... D9/434, 435, 438-441, 443-454, 499, D9/503-505, 682, 685, 686; D7/300.1, D7/387, 391, 392, 392.1, 393, 394, 396.1, D7/396.2, 506, 507, 510, 511, 533, 534, D7/900; D3/202, 203.2, 294, 318; D28/91, 91.1  
CPC .. A61J 1/00; A61J 1/1412; B65D 1/00; B65D 1/02; B65D 1/10; B65D 1/46; B65D 5/46; B65D 41/00; B65D 41/38; B65D 41/56; B65D 41/62; B65D 47/00; B65D 47/06; B65D 47/08; B65D 2251/00; B65D 2543/00046; B65D 2543/00092; B65D 2543/00296  
See application file for complete search history.

(56) **References Cited**  
U.S. PATENT DOCUMENTS  
D155,260 S \* 9/1949 Baron ..... D9/452  
D368,658 S \* 4/1996 Hirsch ..... D9/453  
D466,365 S \* 12/2002 Brown ..... D7/392.1  
D513,587 S \* 1/2006 Forte ..... D9/452  
D547,607 S \* 7/2007 Forsman ..... D9/449  
D649,879 S \* 12/2011 Gullickson ..... D9/443  
D704,986 S \* 5/2014 Manies ..... D7/392.1

D709,366 S 7/2014 Fleming  
D738,725 S \* 9/2015 Isaris ..... D9/452  
D742,230 S \* 11/2015 Charles ..... D7/396.2  
D747,136 S \* 1/2016 Lane ..... D7/396.2  
D772,652 S \* 11/2016 Yao ..... D7/510  
D793,154 S \* 8/2017 Sorensen ..... D7/392.1  
D794,386 S \* 8/2017 Steel ..... D7/396.2  
D799,320 S \* 10/2017 Goodwin ..... D7/392.1  
D801,111 S \* 10/2017 Eyal ..... D9/449  
D802,993 S \* 11/2017 Joseph ..... D7/392.1  
D803,051 S \* 11/2017 Engel ..... D9/452  
D804,903 S \* 12/2017 Mason ..... D7/510  
D807,110 S \* 1/2018 Lown ..... D7/391  
D812,966 S \* 3/2018 Murosky ..... D9/443  
D814,855 S \* 4/2018 Hammer ..... D7/392.1  
D820,637 S \* 6/2018 Davis ..... D7/392.1

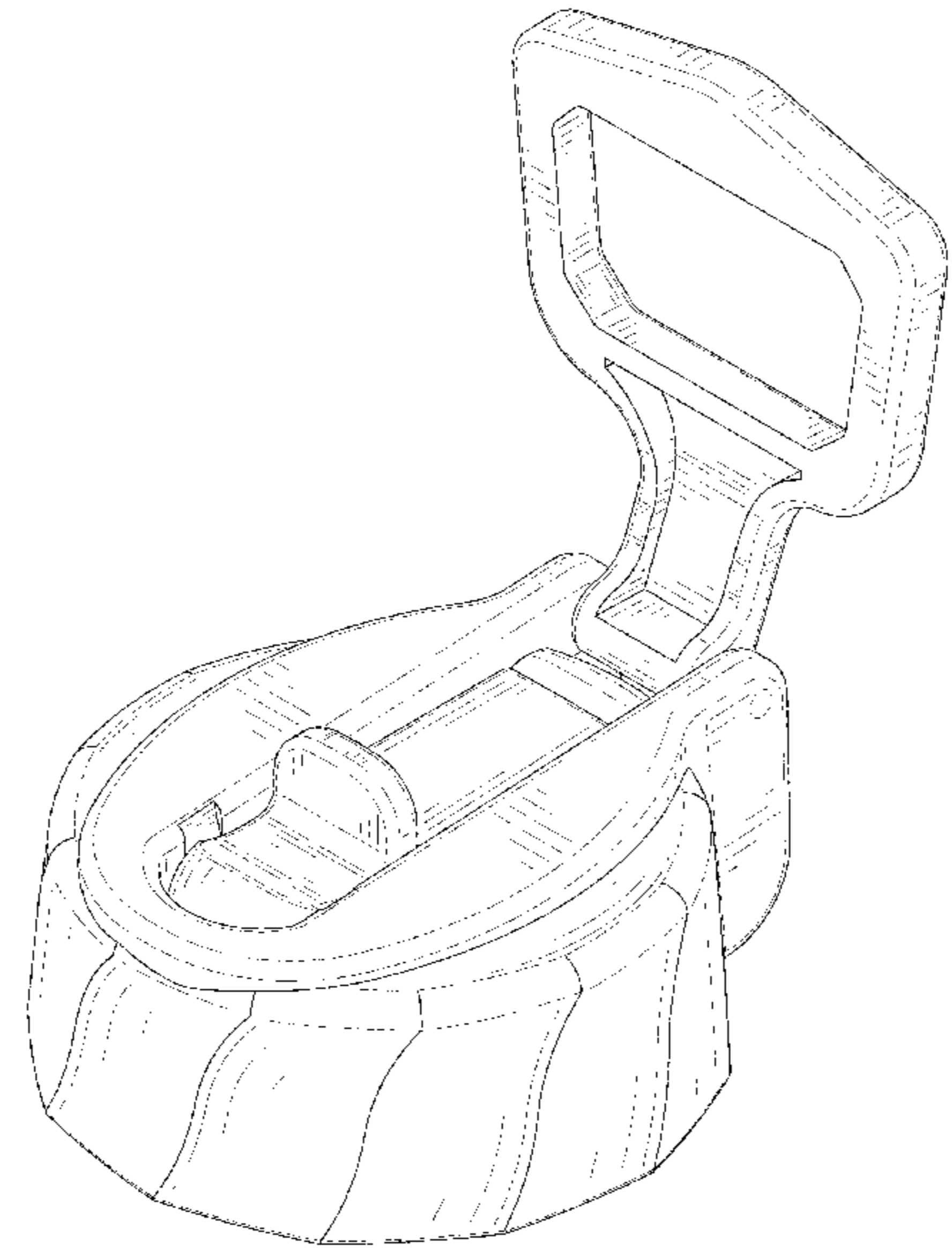
(Continued)

*Primary Examiner* — Wendy L Arminio  
(74) *Attorney, Agent, or Firm* — ZanIP

(57) **CLAIM**  
The ornamental design for a lid for beverage container, as shown and described.

**DESCRIPTION**  
FIG. 1 is a front and top perspective view of a lid for beverage container, showing my new design;  
FIG. 2 is a rear and bottom perspective view thereof;  
FIG. 3 is a front elevational view thereof;  
FIG. 4 is a rear elevational view thereof;  
FIG. 5 is a left side elevational view thereof;  
FIG. 6 is a right side elevational view thereof;  
FIG. 7 is a top plan view thereof;  
FIG. 8 is a bottom plan view thereof; and,  
FIG. 9 is a front and top perspective view thereof, showing a handle of the lid for beverage container in a folded position.  
The broken lines in the figures illustrate portions of the lid for beverage container that form no part of the claimed design.

**1 Claim, 9 Drawing Sheets**



(56)

**References Cited**

U.S. PATENT DOCUMENTS

|              |    |   |         |           |       |                         |
|--------------|----|---|---------|-----------|-------|-------------------------|
| D830,772     | S  | * | 10/2018 | Rosette   | ..... | D7/510                  |
| D844,376     | S  | * | 4/2019  | Rosette   | ..... | D7/392.1                |
| D855,388     | S  | * | 8/2019  | Potter    | ..... | D7/392.1                |
| D856,066     | S  | * | 8/2019  | Barber    | ..... | D9/443                  |
| D861,421     | S  | * | 10/2019 | Barber    | ..... | D7/396.2                |
| D862,157     | S  | * | 10/2019 | Barber    | ..... | D7/392.1                |
| D862,985     | S  | * | 10/2019 | Backs     | ..... | D7/511                  |
| D869,229     | S  | * | 12/2019 | Hao       | ..... | D7/392.1                |
| D870,508     | S  | * | 12/2019 | Palkon    | ..... | D7/392.1                |
| D875,473     | S  | * | 2/2020  | Wahlkvist | ..... | D7/510                  |
| D878,855     | S  | * | 3/2020  | Nucci     | ..... | D7/392.1                |
| 2012/0325815 | A1 | * | 12/2012 | Gilbert   | ..... | A47G 19/2272<br>220/264 |

\* cited by examiner

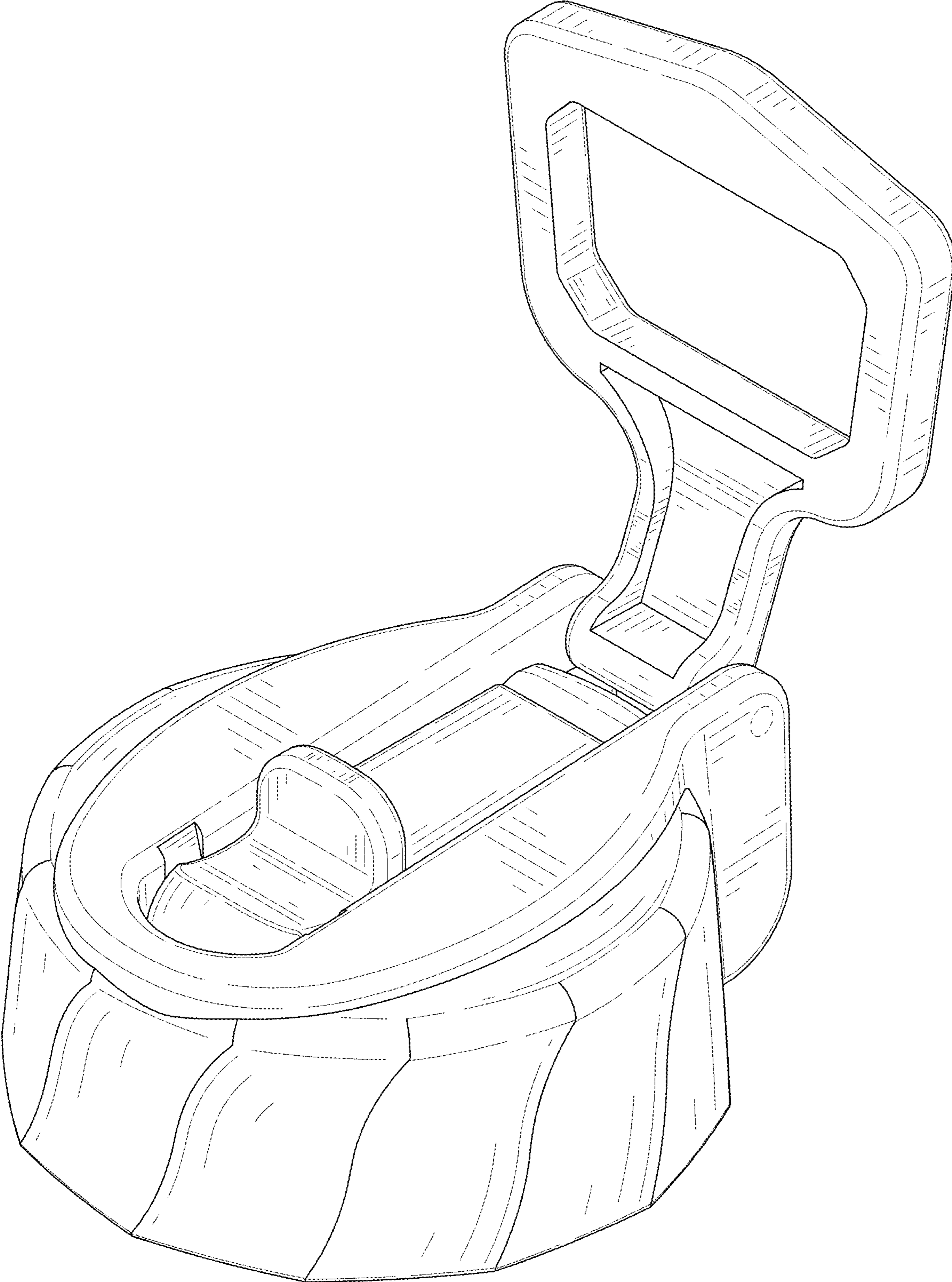


FIG. 1



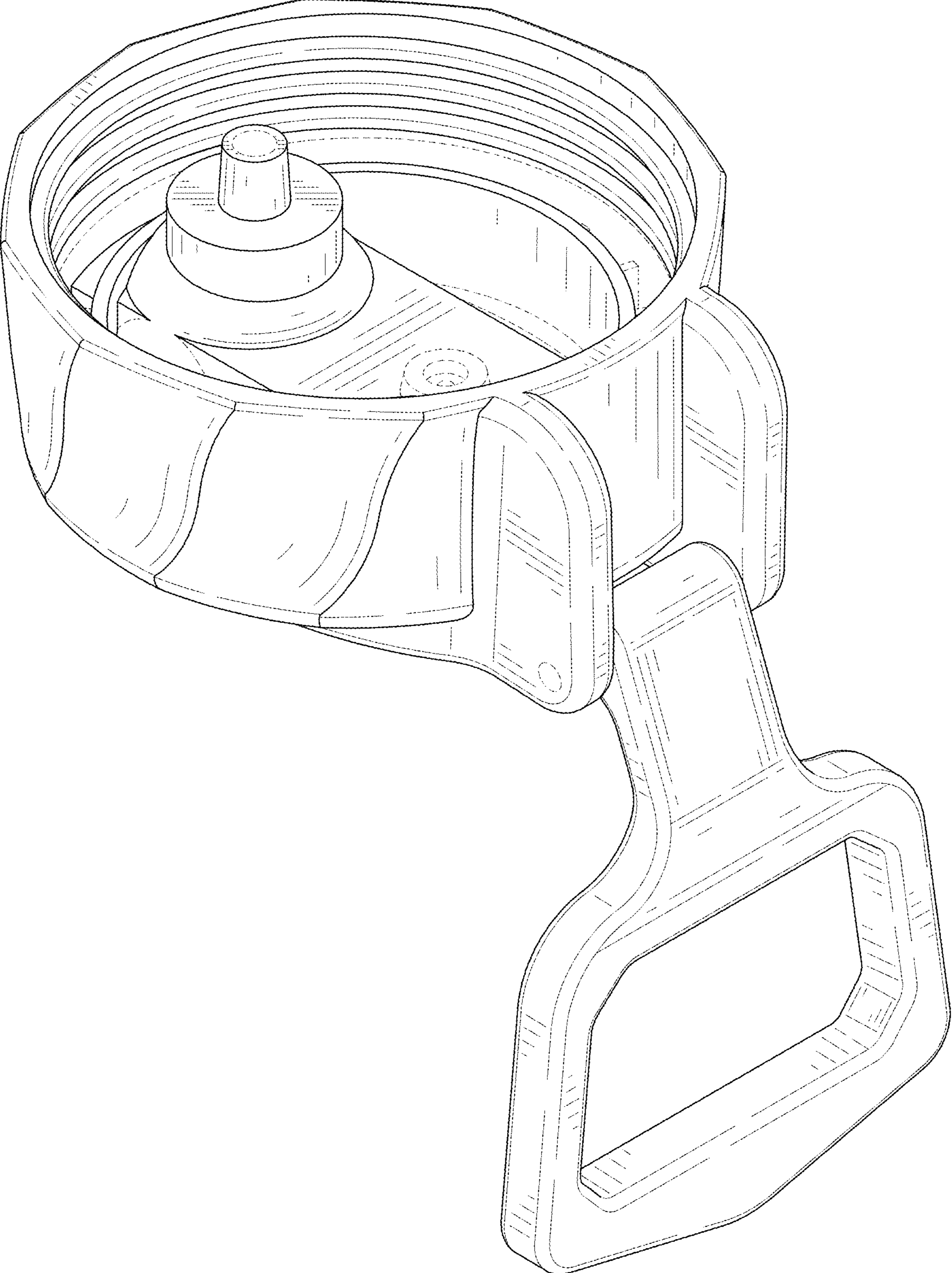


FIG. 2

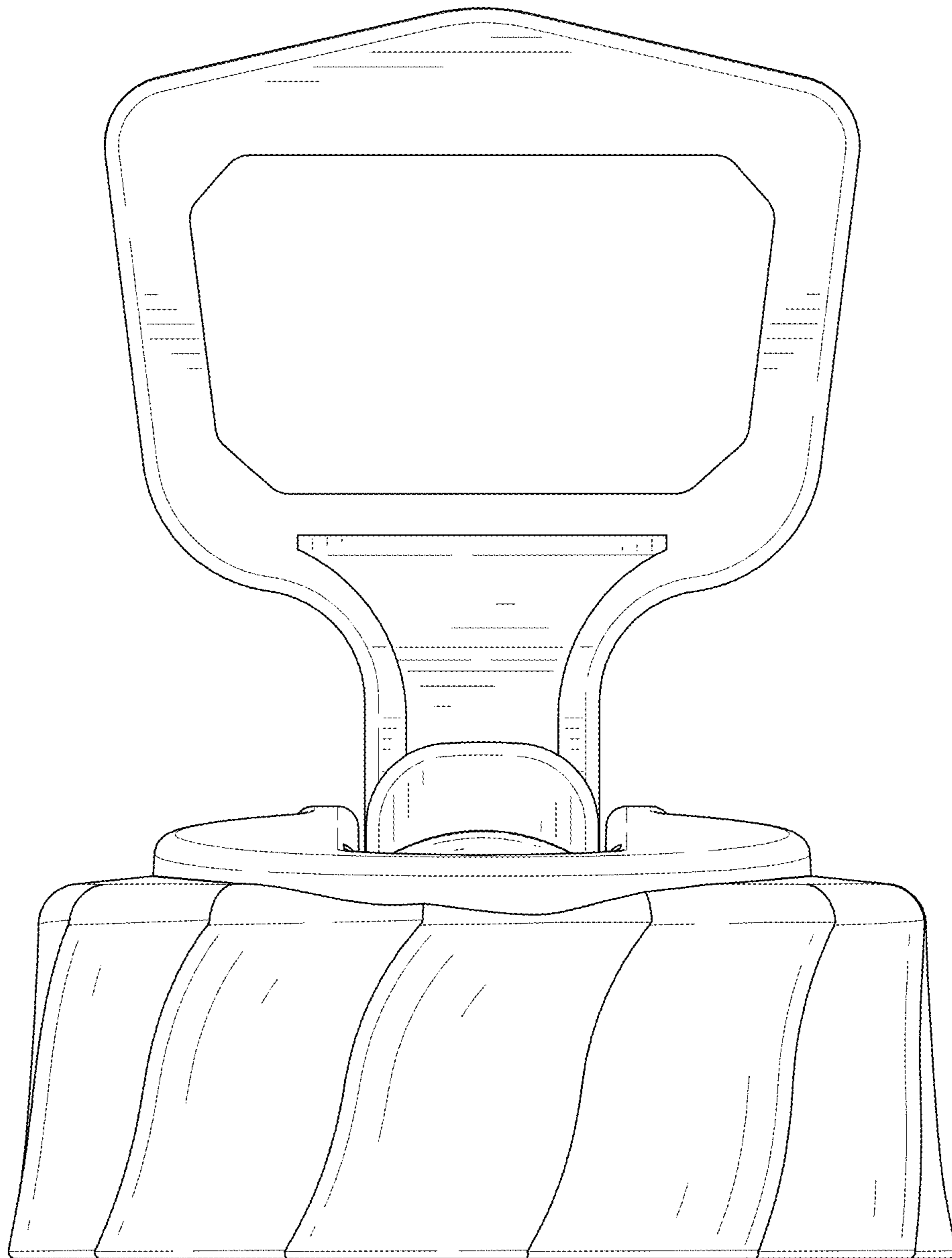


FIG. 3

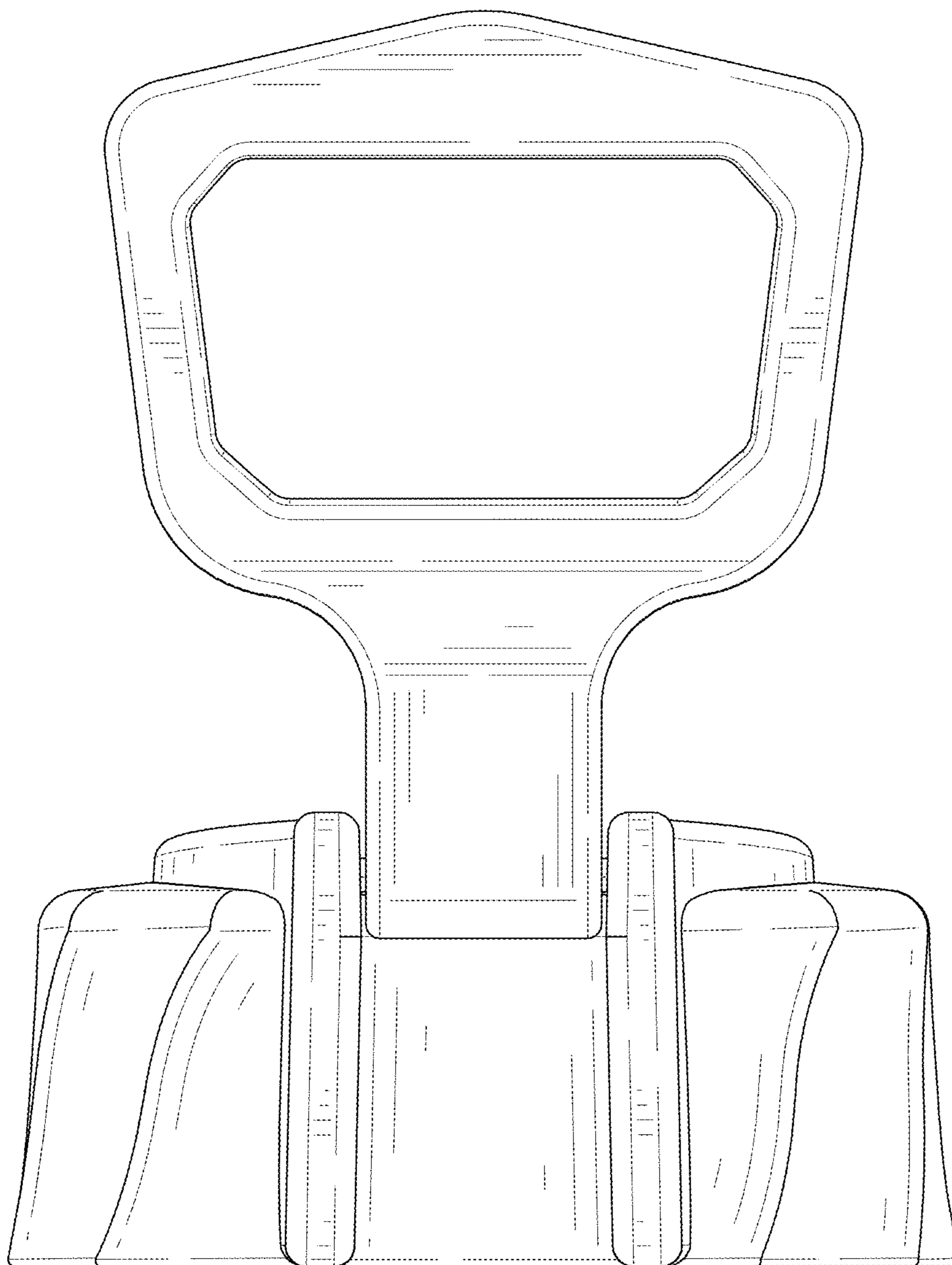


FIG. 4

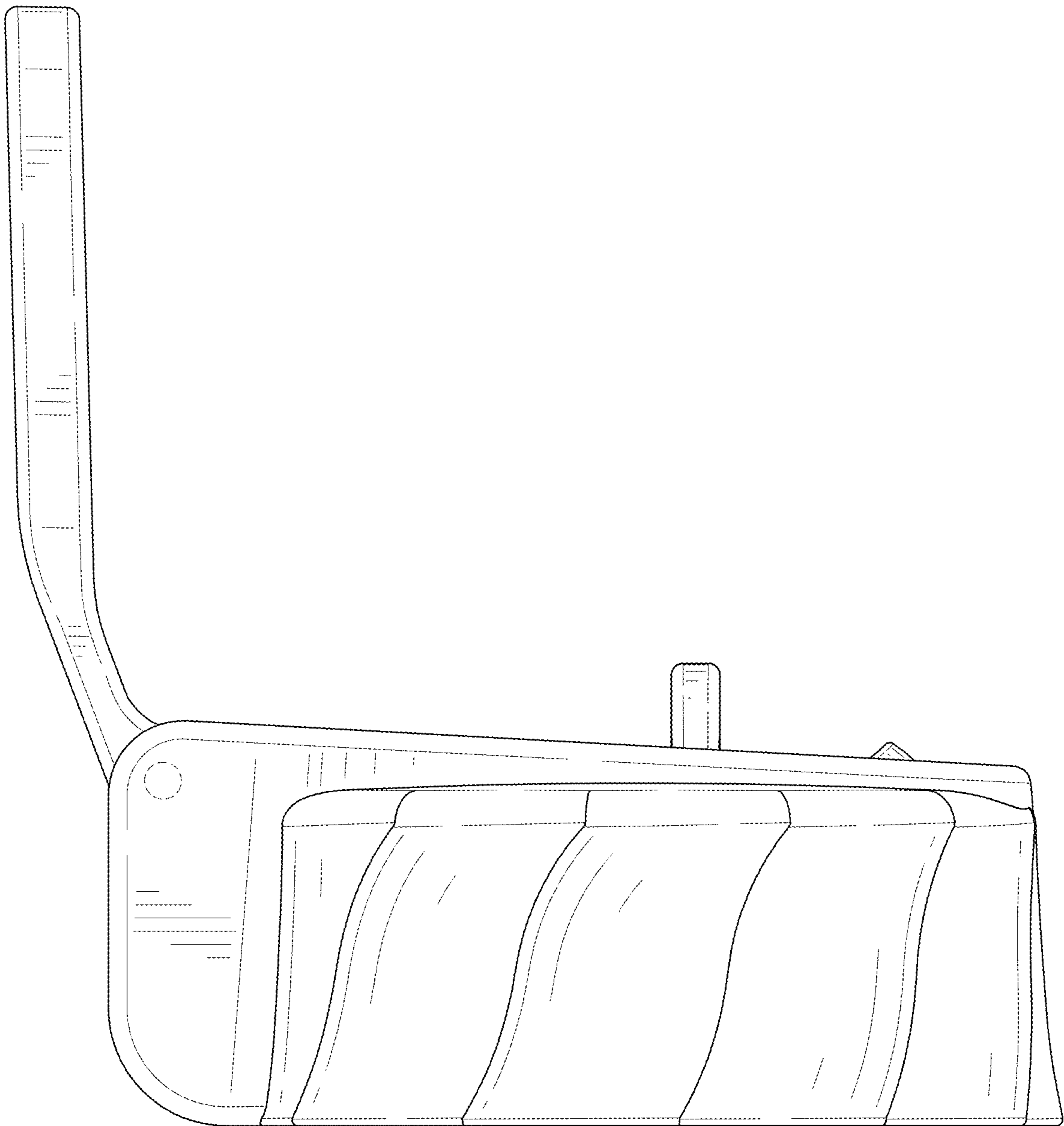


FIG. 5

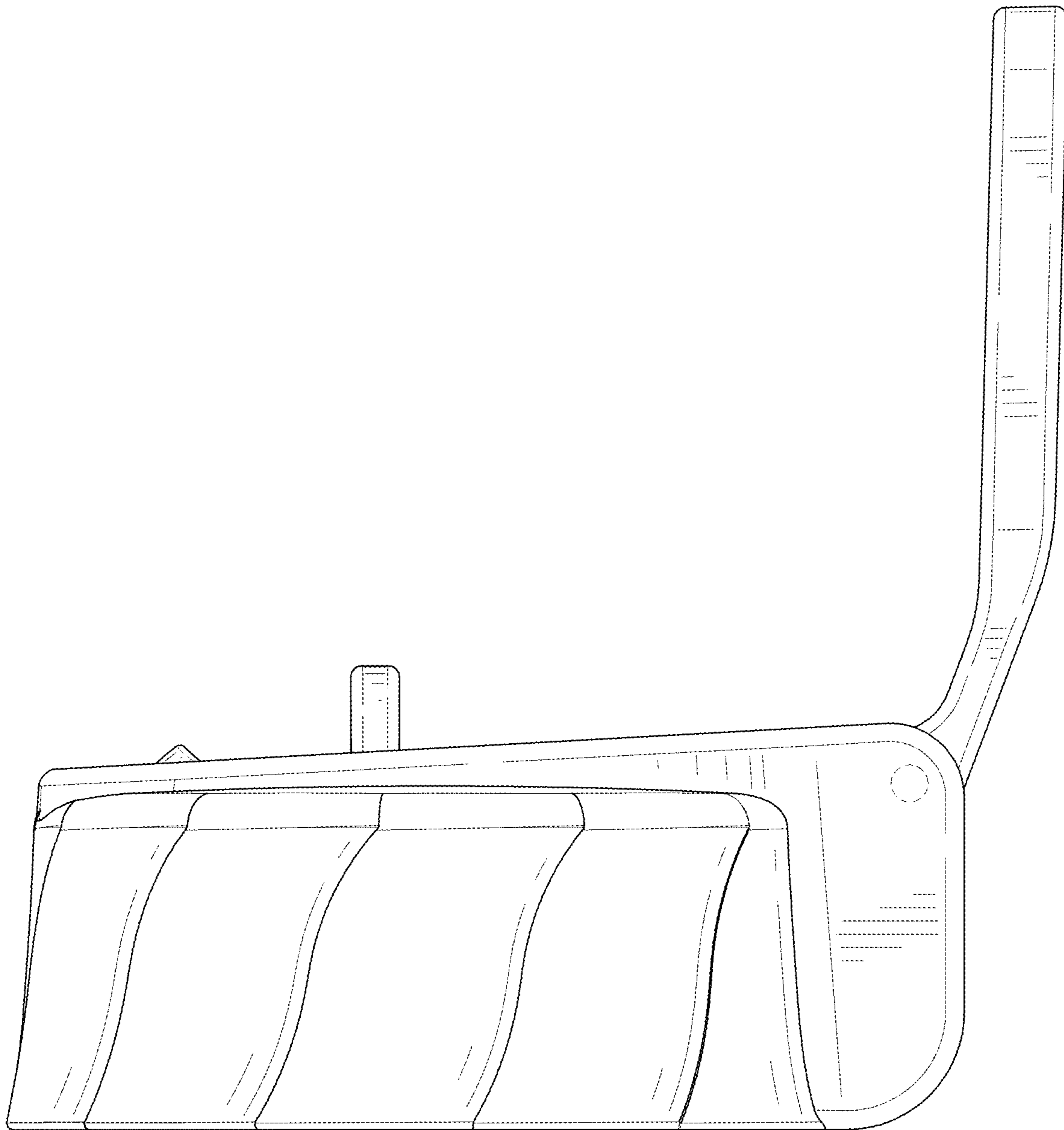


FIG. 6



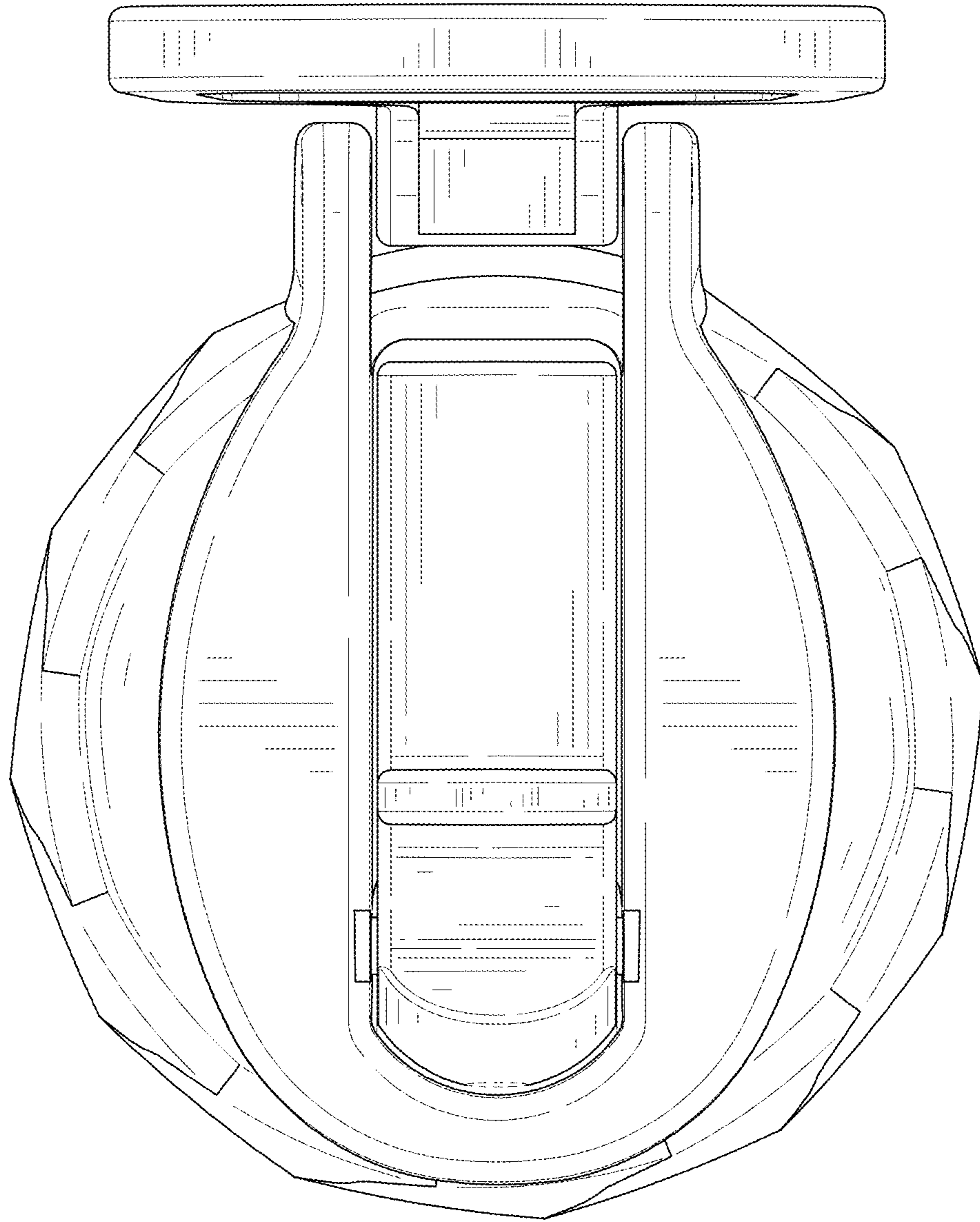


FIG. 7

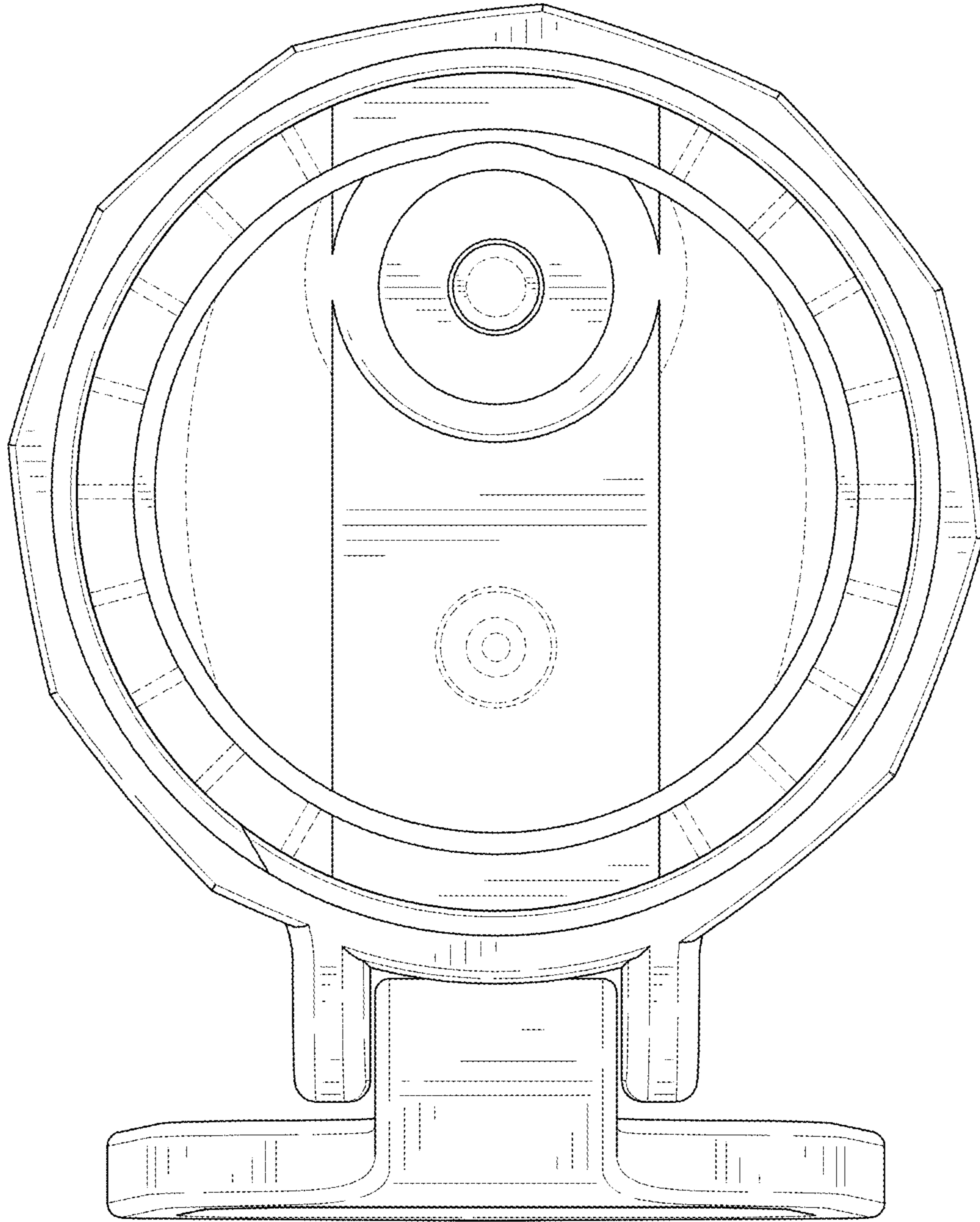


FIG. 8

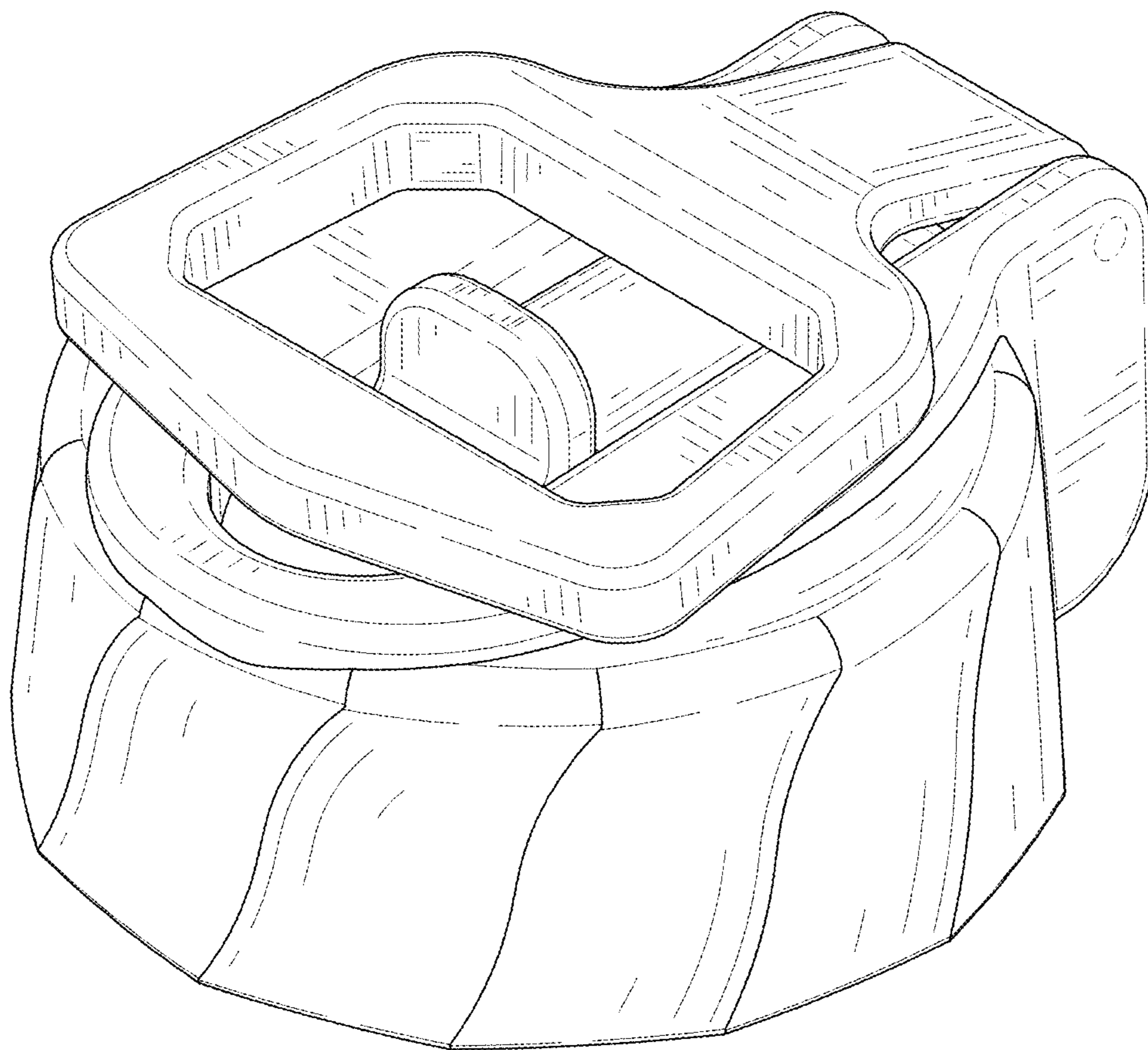


FIG. 9