



US00D899180S

(12) **United States Design Patent** (10) **Patent No.:** **US D899,180 S**
Ye (45) **Date of Patent:** **** Oct. 20, 2020**

(54) **FOOD PROCESSOR**

(71) Applicants: **Xiushan Ye**, Guangzhou (CN);
**GUANGZHOU SHENGWEI
ELECTRIC MANUFACTURING
CO., LTD.**, Guangzhou (CN)

(72) Inventor: **Xiushan Ye**, Guangzhou (CN)

(73) Assignees: **Xiushan Ye**, Guangzhou (CN);
**GUANGZHOU SHENGWEI
ELECTRIC MANUFACTURING
CO., LTD.**, Guangzhou (CN)

(**) Term: **15 Years**

(21) Appl. No.: **29/730,980**

(22) Filed: **Apr. 10, 2020**

(30) **Foreign Application Priority Data**

Feb. 14, 2020 (CN) 2020 3 0052068

(51) **LOC (12) Cl.** **31-00**

(52) **U.S. Cl.**
USPC **D7/384; D7/376; D7/378**

(58) **Field of Classification Search**

USPC D7/372, 376-386, 412-413, 602, 629,
D7/665-666, 669, 679, 693-694
CPC A21C 1/02; A21C 1/04; A23N 1/00; A23N
1/02; A47J 43/04; A47J 43/25; A47J
43/27; A47J 43/042; A47J 43/044; A47J
43/046; A47J 43/075; A47J 43/0722;
A47J 43/0727; B01F 3/00; B01F 3/0807;
B01F 3/0853; B01F 13/0059; B01F
13/0064; B02C 1/08; B02C 2/04; B02C
4/42; B02C 4/142; B02C 4/143; B02C
4/423; B02C 13/1835; B28C 5/10; B28C
5/12; B28C 5/14; B28C 5/16; G01G
19/56

See application file for complete search history.

(56) **References Cited**

U.S. PATENT DOCUMENTS

D191,152 S *	8/1961	Rawson	D7/378
D226,124 S *	1/1973	Roberts	D7/379
5,799,567 A *	9/1998	Dorner	G01G 19/56 99/348
D418,362 S *	1/2000	Wong	D7/384
D444,026 S *	6/2001	Chaudeurge	D7/384
D483,987 S	12/2003	Mauch		
D708,007 S *	7/2014	Lazzer	D7/376
D745,316 S *	12/2015	Usmar	D7/376
D751,857 S *	3/2016	Kemker	D7/376
D853,782 S *	7/2019	Conti	D7/384

* cited by examiner

Primary Examiner — Ricky Pham

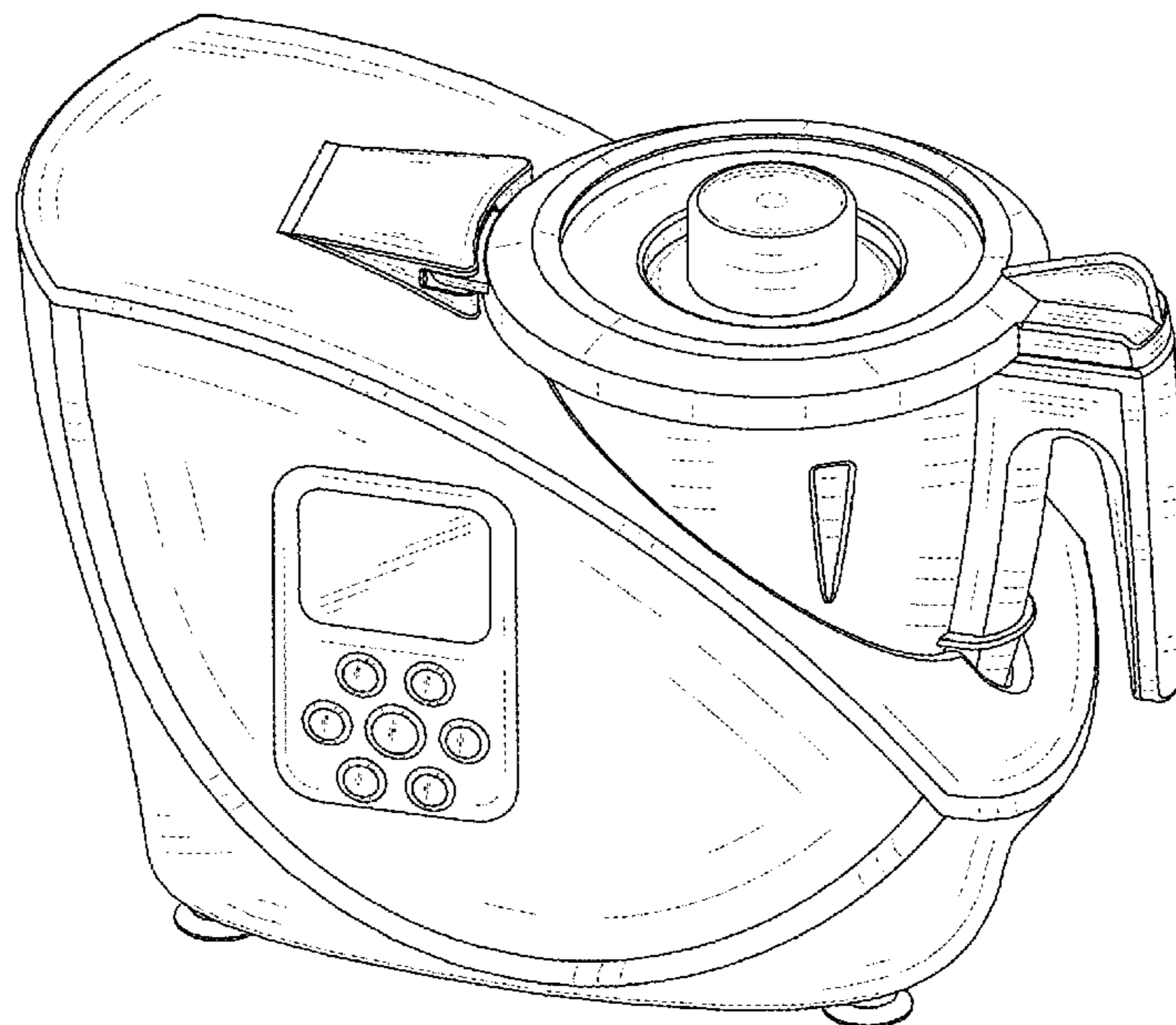
(57) **CLAIM**

The ornamental design for a food processor, as shown and described.

DESCRIPTION

FIG. 1 is a perspective view of a food processor according to an embodiment;
FIG. 2 is a front elevational view thereof;
FIG. 3 is a rear elevational view thereof;
FIG. 4 is a left side elevational view thereof;
FIG. 5 is a right side elevational view thereof;
FIG. 6 is a top plan view thereof; and,
FIG. 7 is a bottom plan view thereof.
The broken lines in the drawings depict portions of the food processor that form no part of the claimed design.
The shade lines in the figures show contour and not surface ornamentation. The diagonal shaded lines in the figures show a display surface.

1 Claim, 7 Drawing Sheets



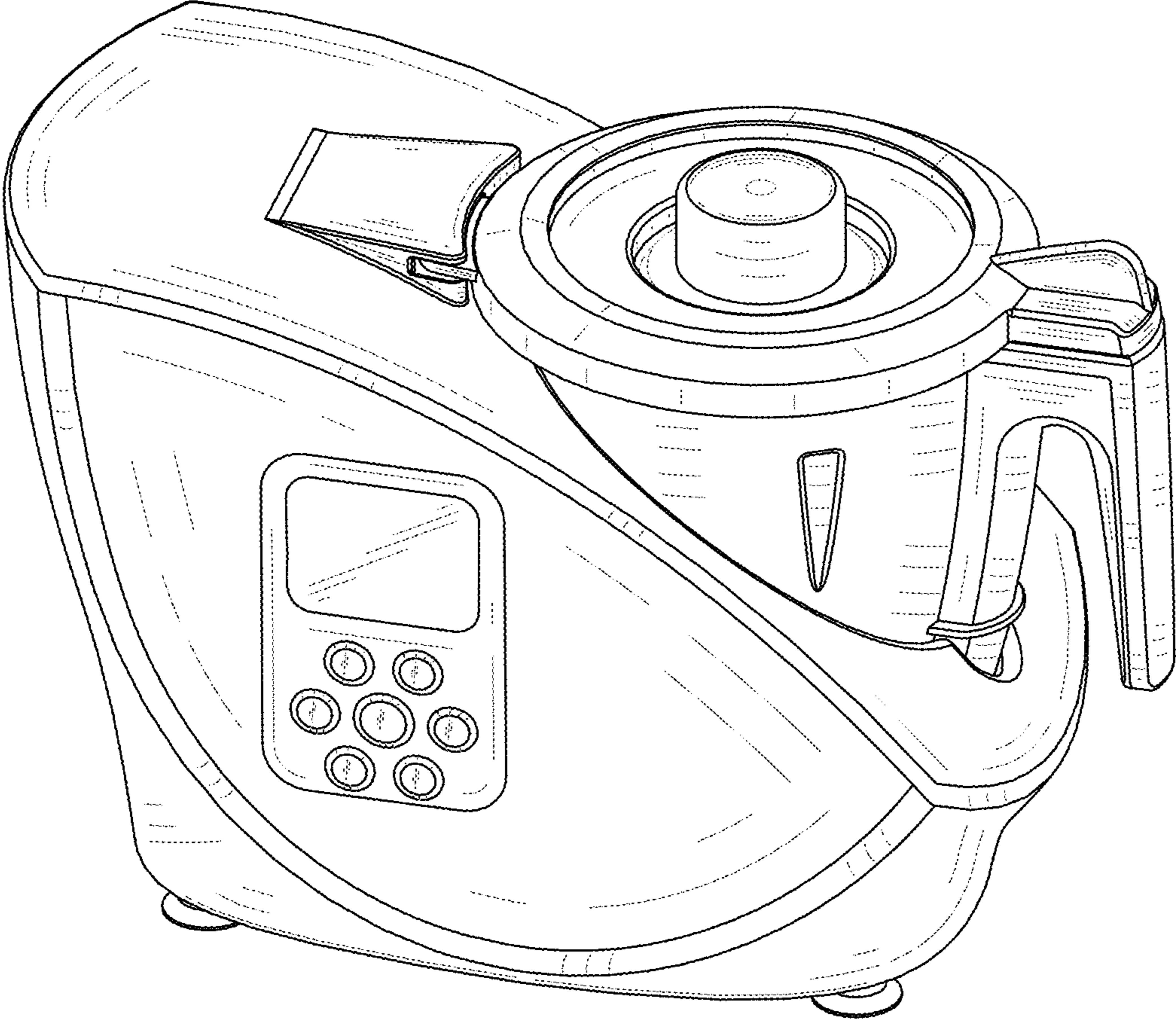


FIG. 1

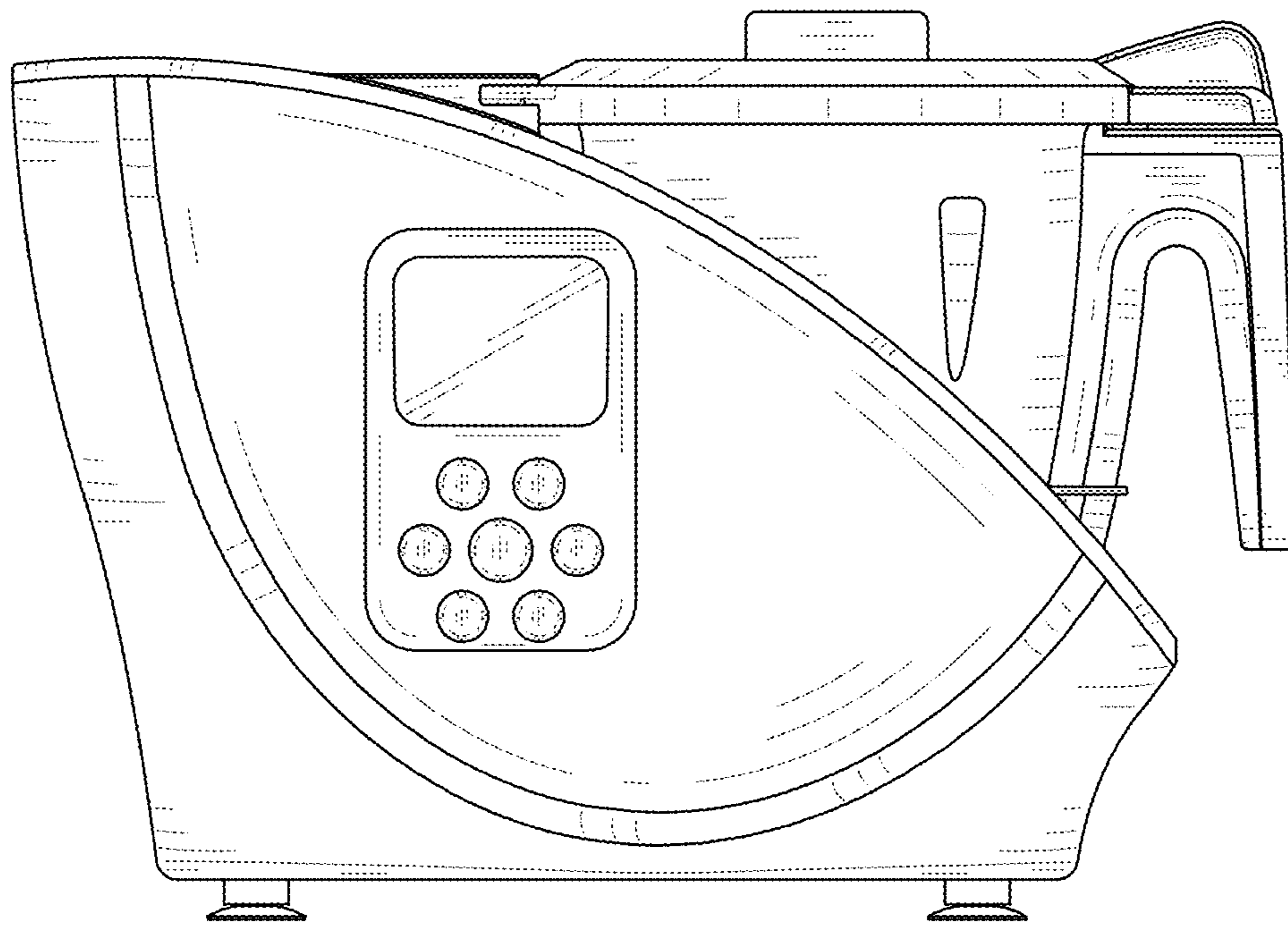


FIG. 2

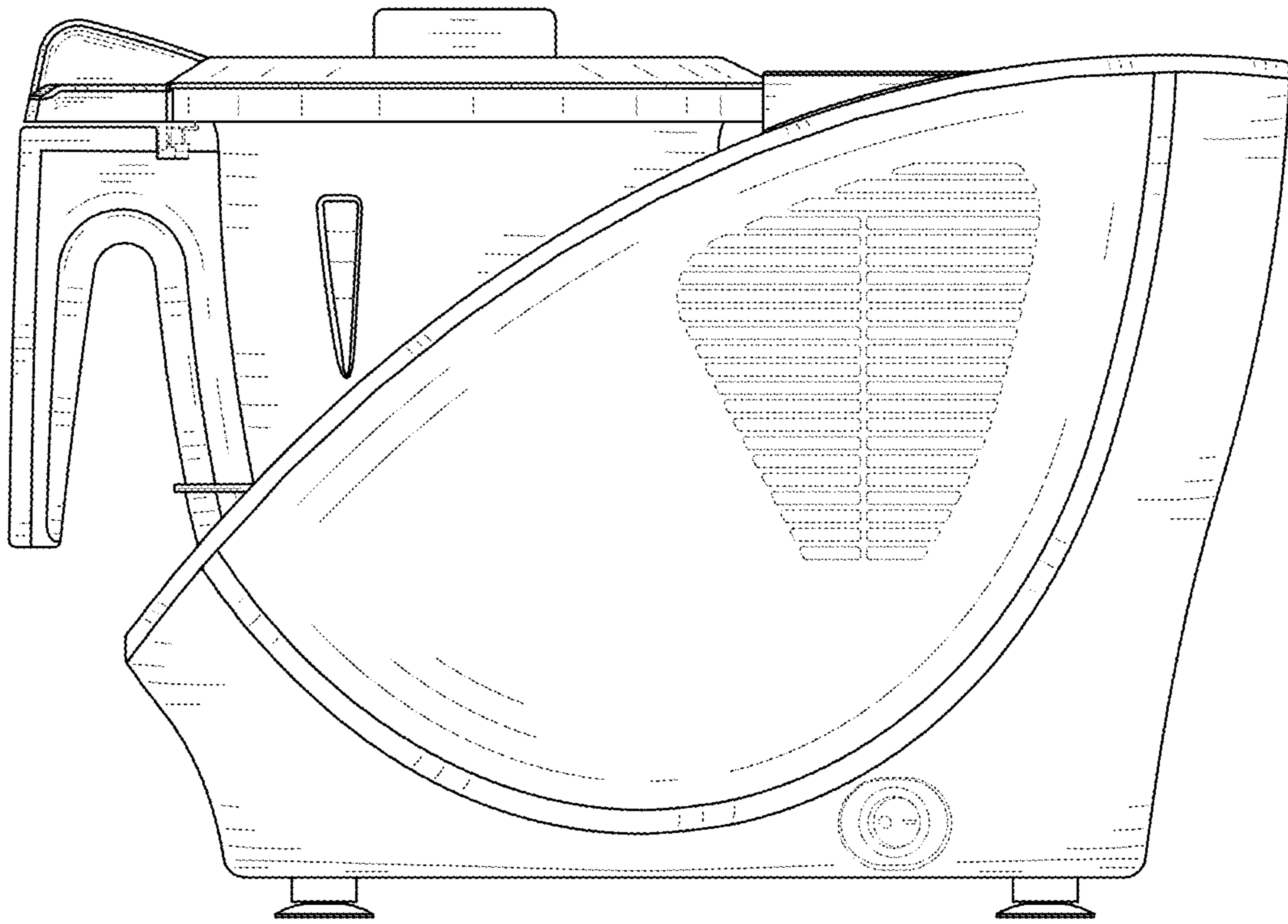


FIG. 3

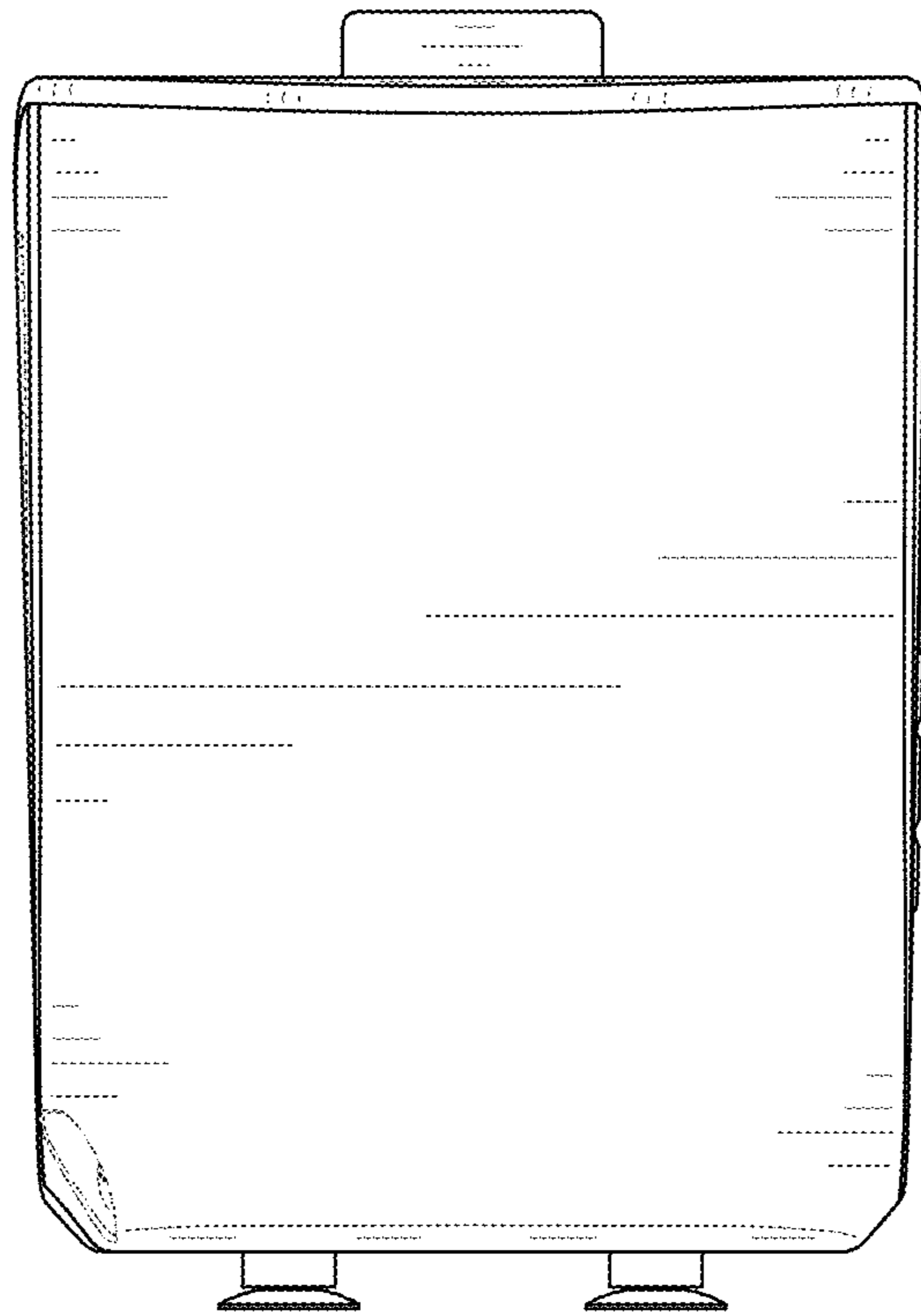


FIG. 4

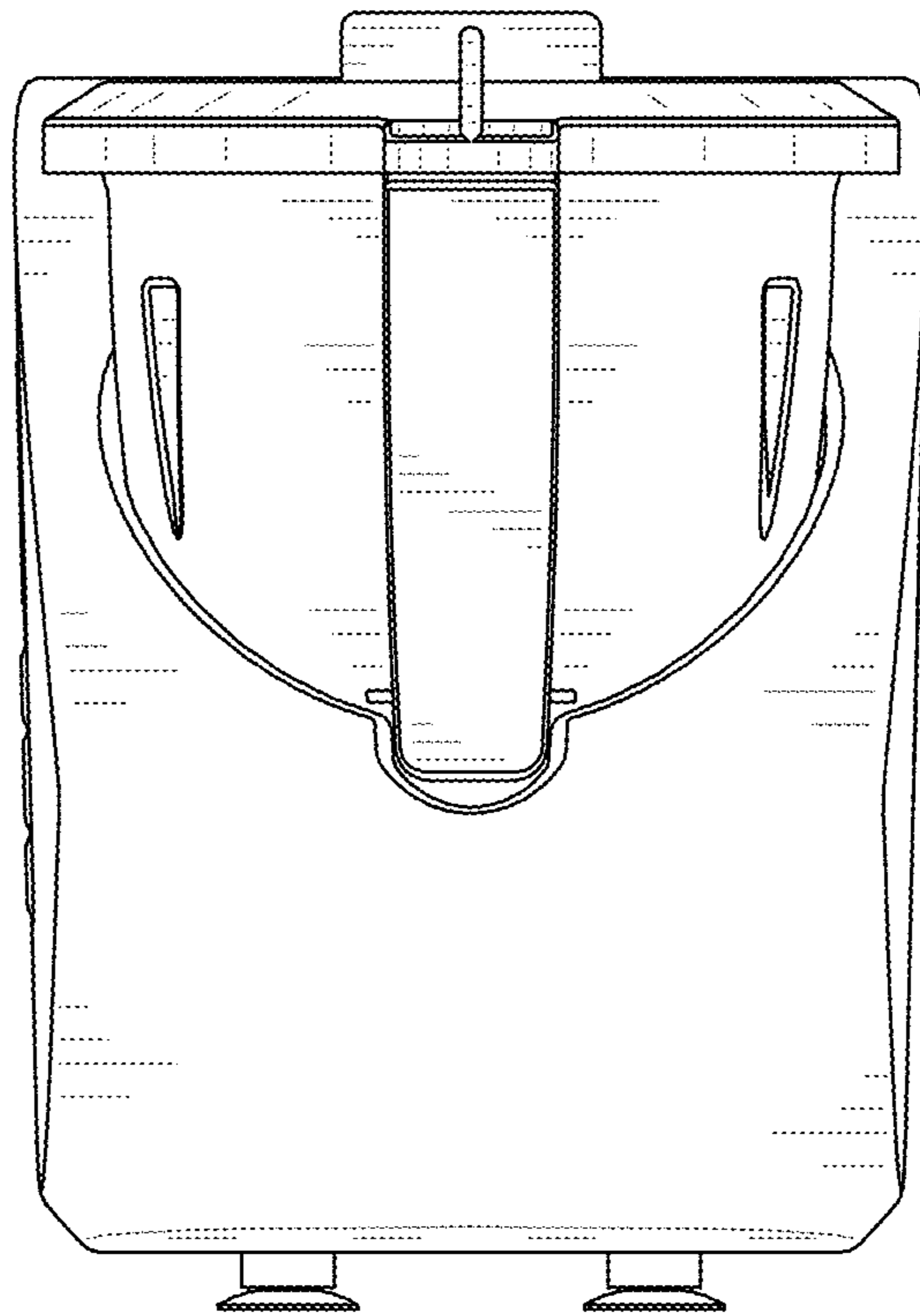


FIG. 5

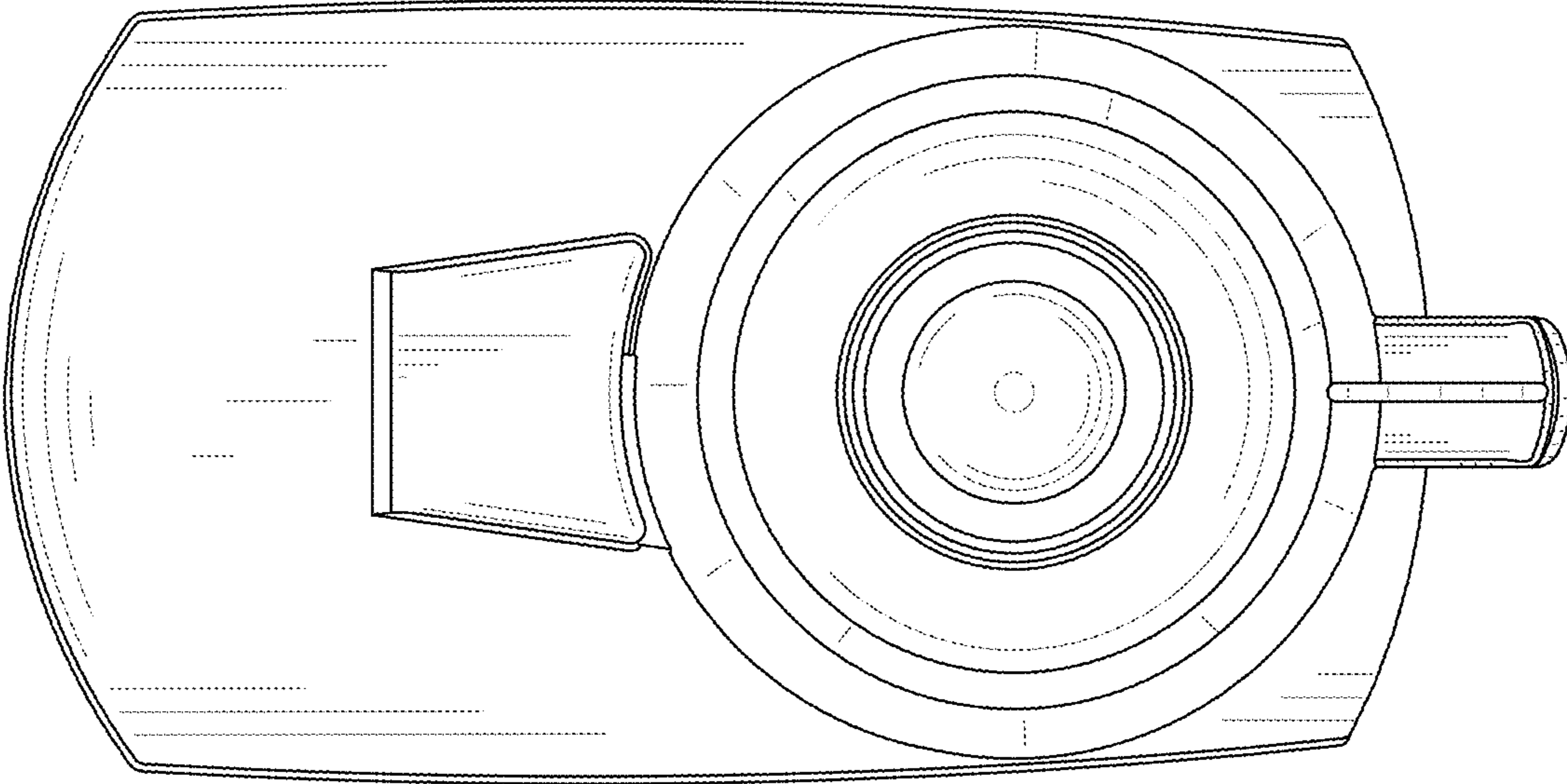


FIG. 6

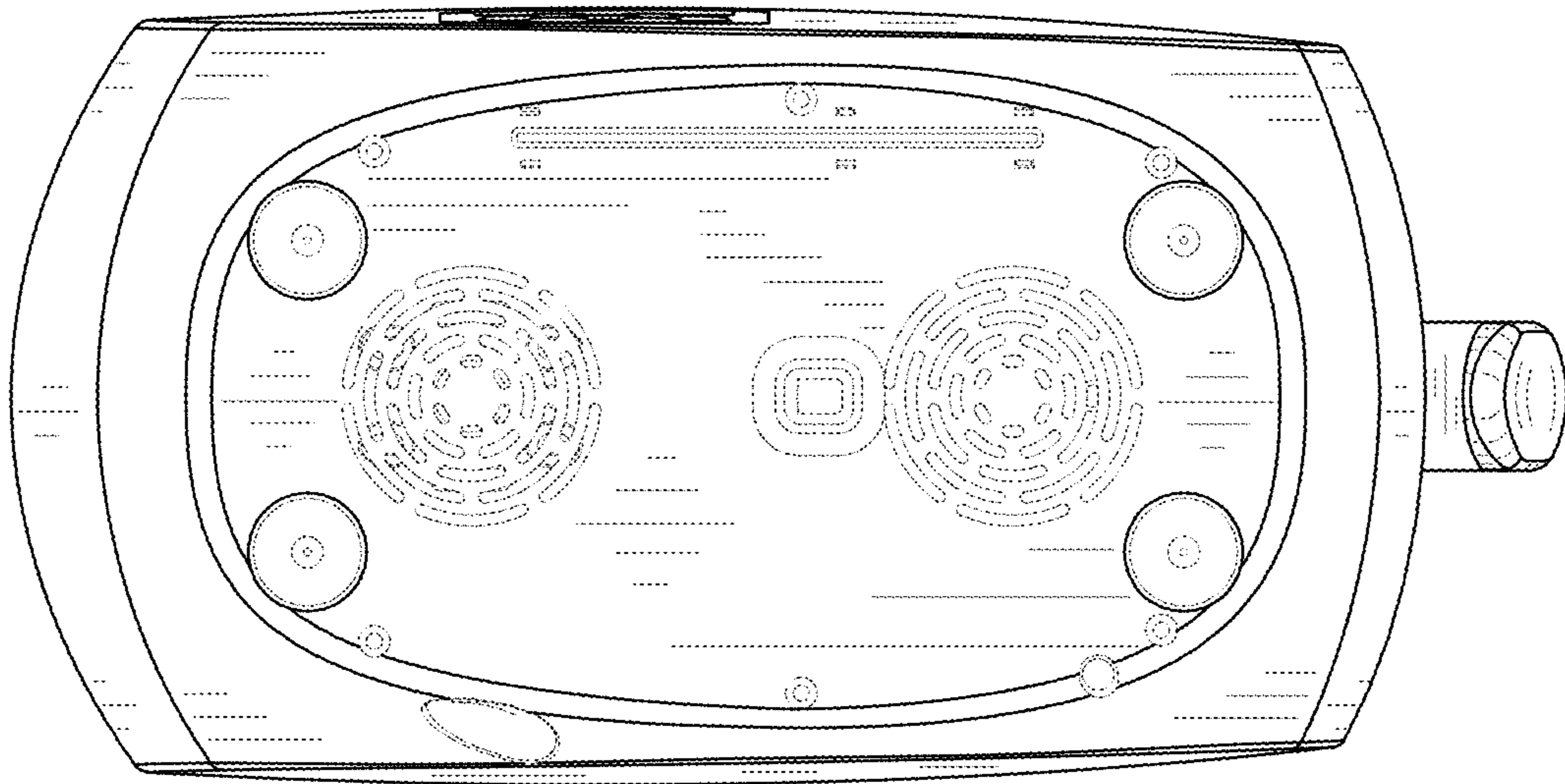


FIG. 7