



US00D899178S

(12) **United States Design Patent** (10) **Patent No.:** **US D899,178 S**
Ye (45) **Date of Patent:** **** Oct. 20, 2020**

(54) **ELECTRIC PRESSURE COOKER**
(71) Applicants: **Xiushan Ye**, Guangzhou (CN);
GUANGZHOU SHENGWEI
ELECTRIC MANUFACTURING
CO., LTD., Guangzhou (CN)
(72) Inventor: **Xiushan Ye**, Guangzhou (CN)
(73) Assignees: **Xiushan Ye**, Guangzhou (CN);
GUANGZHOU SHENGWEI
ELECTRIC MANUFACTURING
CO., LTD., Guangzhou (CN)

(**) Term: **15 Years**

(21) Appl. No.: **29/718,508**

(22) Filed: **Dec. 25, 2019**

(30) **Foreign Application Priority Data**

Dec. 19, 2019 (CN) 2019 3 0711887

(51) **LOC (12) Cl.** **07-02**

(52) **U.S. Cl.**
USPC **D7/358; D7/354**

(58) **Field of Classification Search**
USPC D7/323, 332, 354-361, 368, 391, 393,
D7/406; D21/525
CPC A47J 27/00; A47J 27/004; A47J 27/08;
A47J 27/0802; A47J 27/0804; A47J
27/0811; A47J 27/0813; A47J 27/0815;
A47J 27/0817; A47J 27/084; A47J 27/09;
A47J 27/092; A47J 36/025; A47J 36/06;
A47J 37/12; A47J 37/1204; A47J
37/1209; A47J 45/07; A47J 45/071; A47J
45/074; A47J 45/08; B01D 2201/345;
B01J 3/03; B01J 3/04; F01P 2011/0247;
F01P 2011/0252; H05B 6/00; H05B 6/02;
H05B 6/06

See application file for complete search history.

(56) **References Cited**

U.S. PATENT DOCUMENTS

D380,504 S *	7/1997	Yang	D21/525
D382,767 S *	8/1997	Lien	D7/360
D549,517 S *	8/2007	Moran	D7/358
D568,092 S *	5/2008	Boes	D7/354
D594,694 S	6/2009	Pino et al.	
D642,416 S *	8/2011	Scott	D7/332
D642,422 S	8/2011	Averty	
D667,255 S *	9/2012	Reiner	D7/354
D728,301 S *	5/2015	Hack	D7/368
D802,987 S *	11/2017	Corlay	D7/358
D832,024 S *	10/2018	Wessels	D7/354
D838,546 S *	1/2019	Wang	D7/406
D854,875 S *	7/2019	Tan	D7/358
D883,014 S *	5/2020	Varjabedian	D7/354
D883,015 S *	5/2020	Deng	D7/354

* cited by examiner

Primary Examiner — Ricky Pham

(57) **CLAIM**

The ornamental design for an electric pressure cooker, as shown and described.

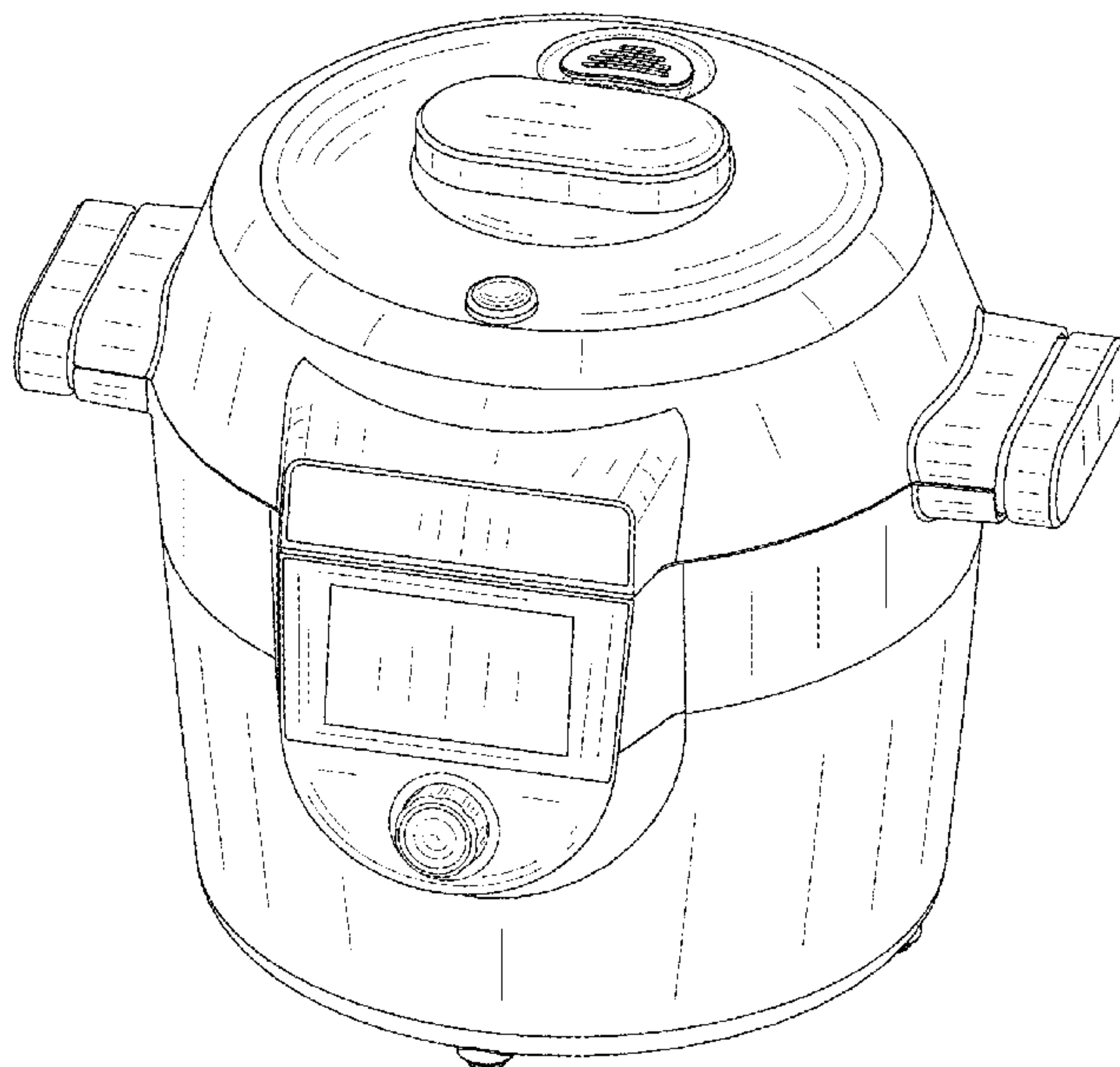
DESCRIPTION

FIG. 1 is a perspective view of an electric pressure cooker; FIG. 2 is a front elevational view thereof; FIG. 3 is a rear elevational view thereof; FIG. 4 is a left side elevational view thereof; FIG. 5 is a right side elevational view thereof; FIG. 6 is a top plan view thereof; and, FIG. 7 is a bottom plan view thereof.

The broken lines in the drawings depict portions of the electric pressure cooker that form no part of the claimed design.

The dot-dash-dot broken lines are for the purpose of illustrating the boundaries of the claim, and form no part of the claimed design.

1 Claim, 7 Drawing Sheets



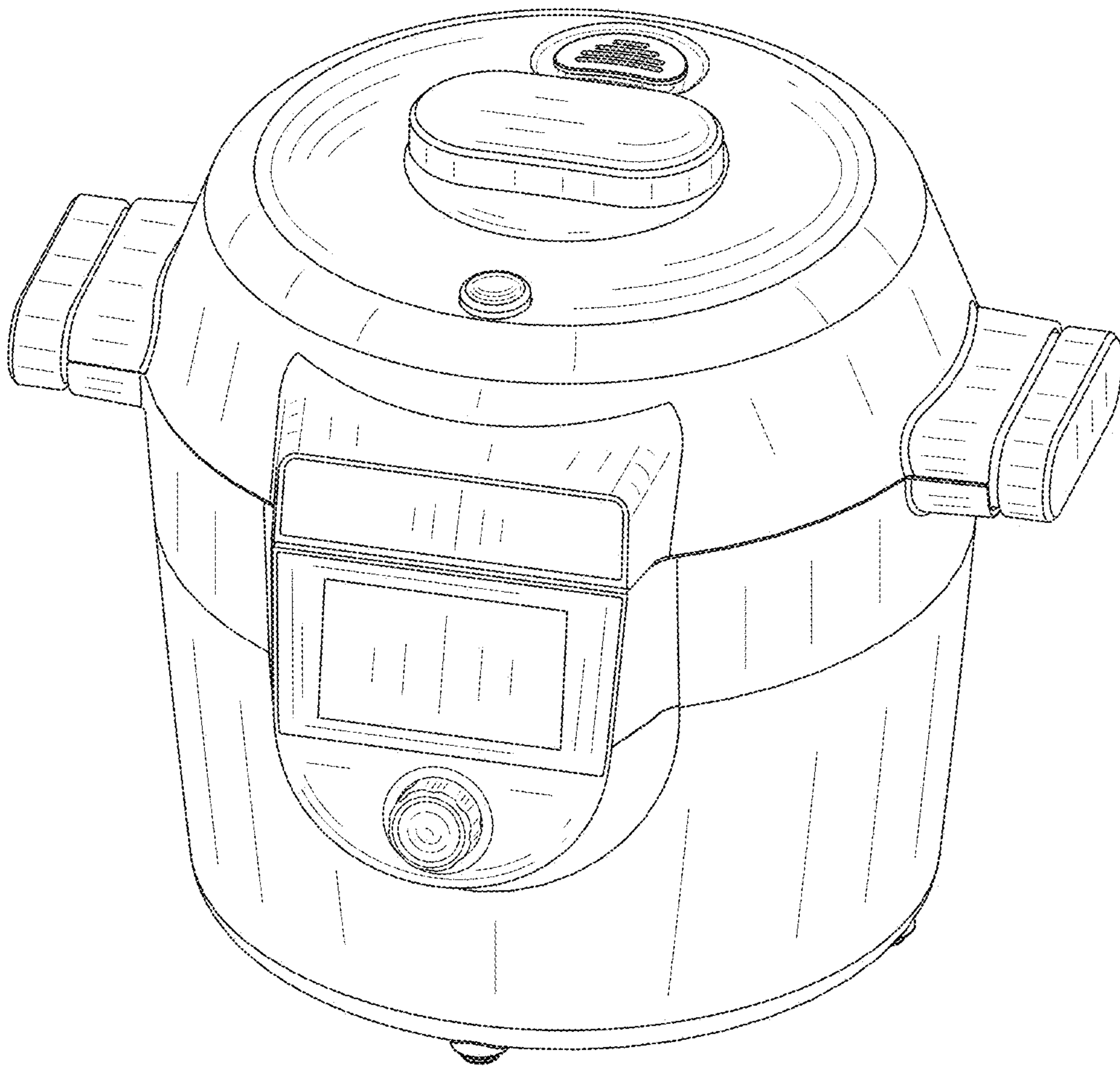


FIG. 1

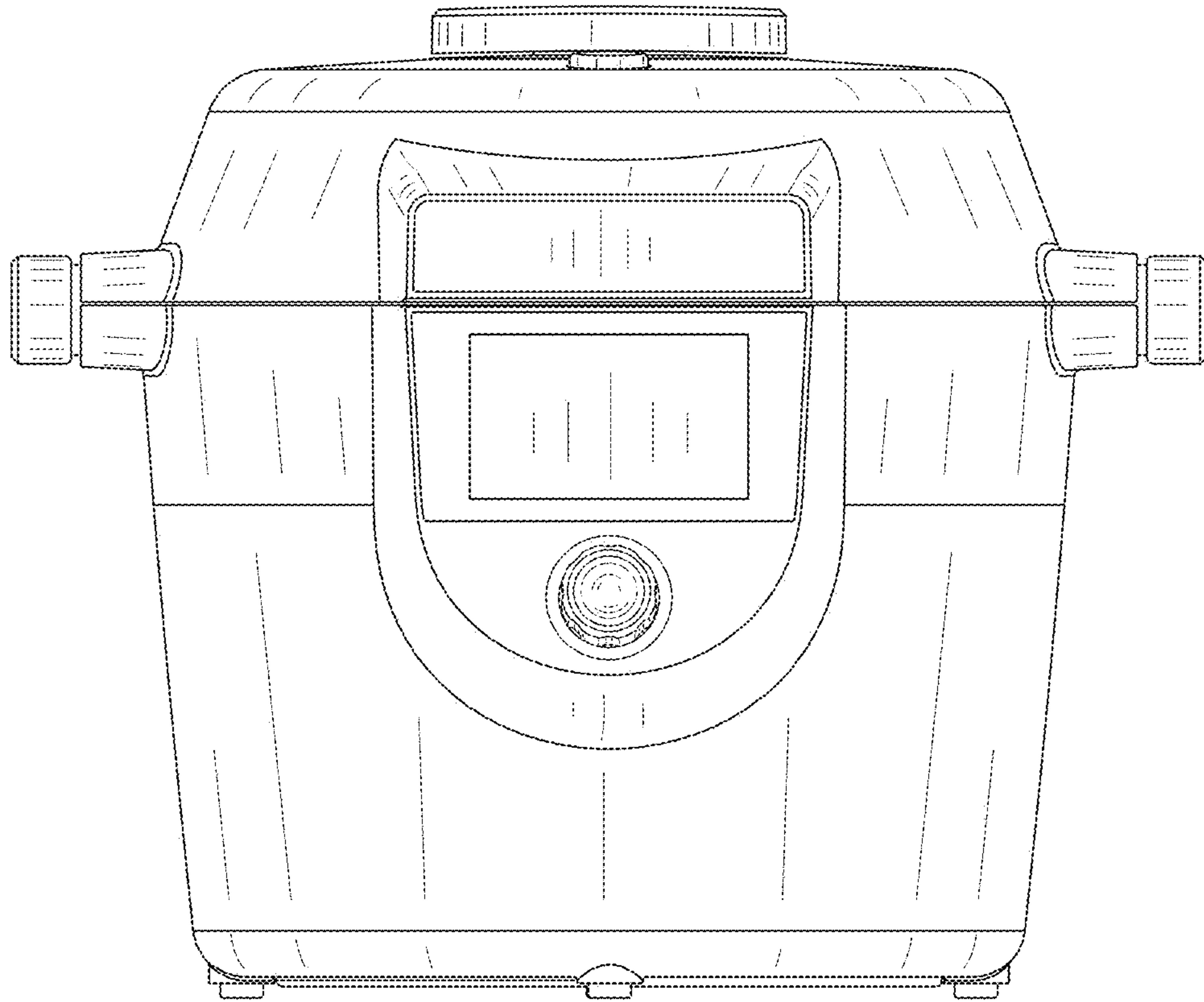


FIG. 2

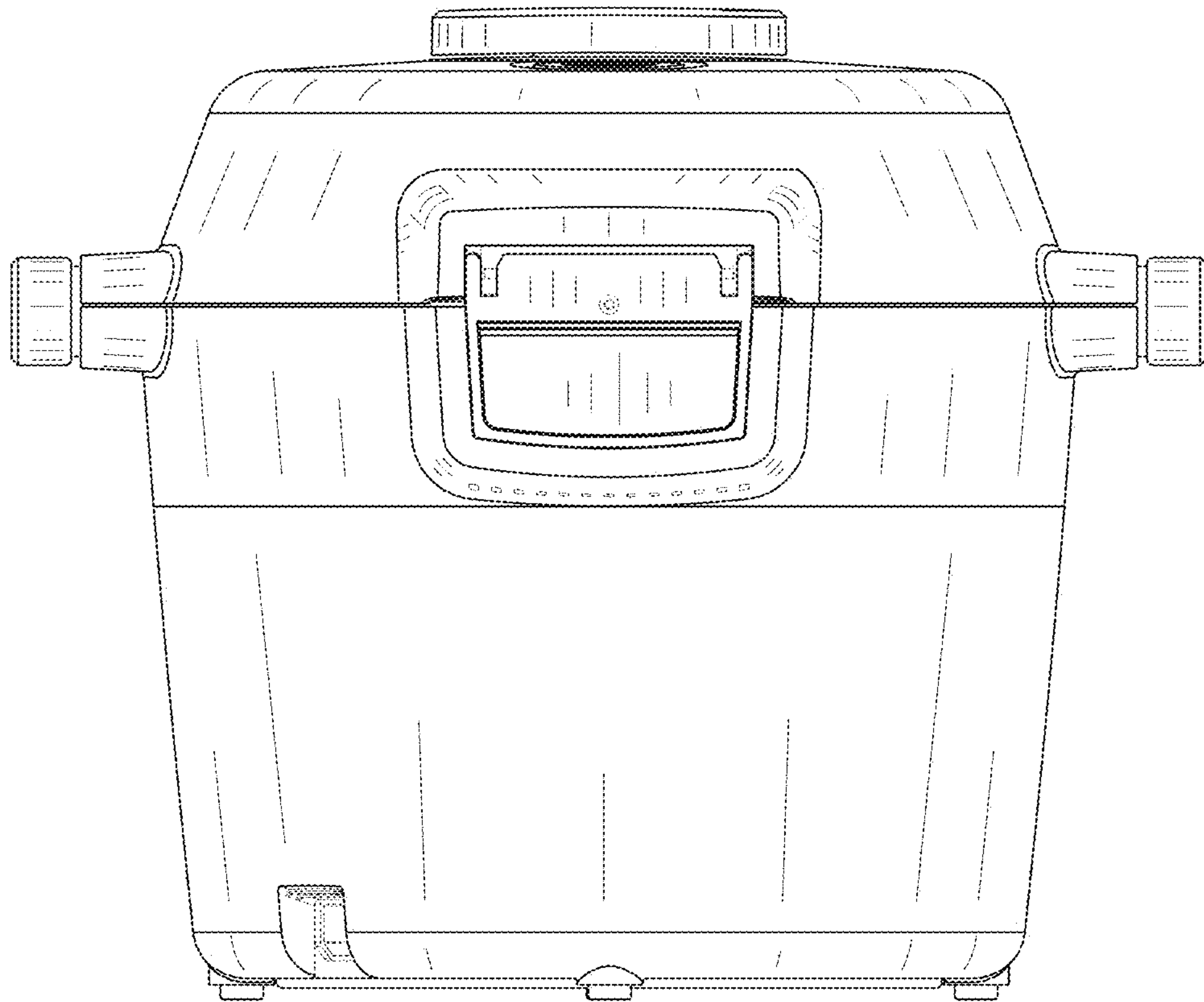


FIG. 3

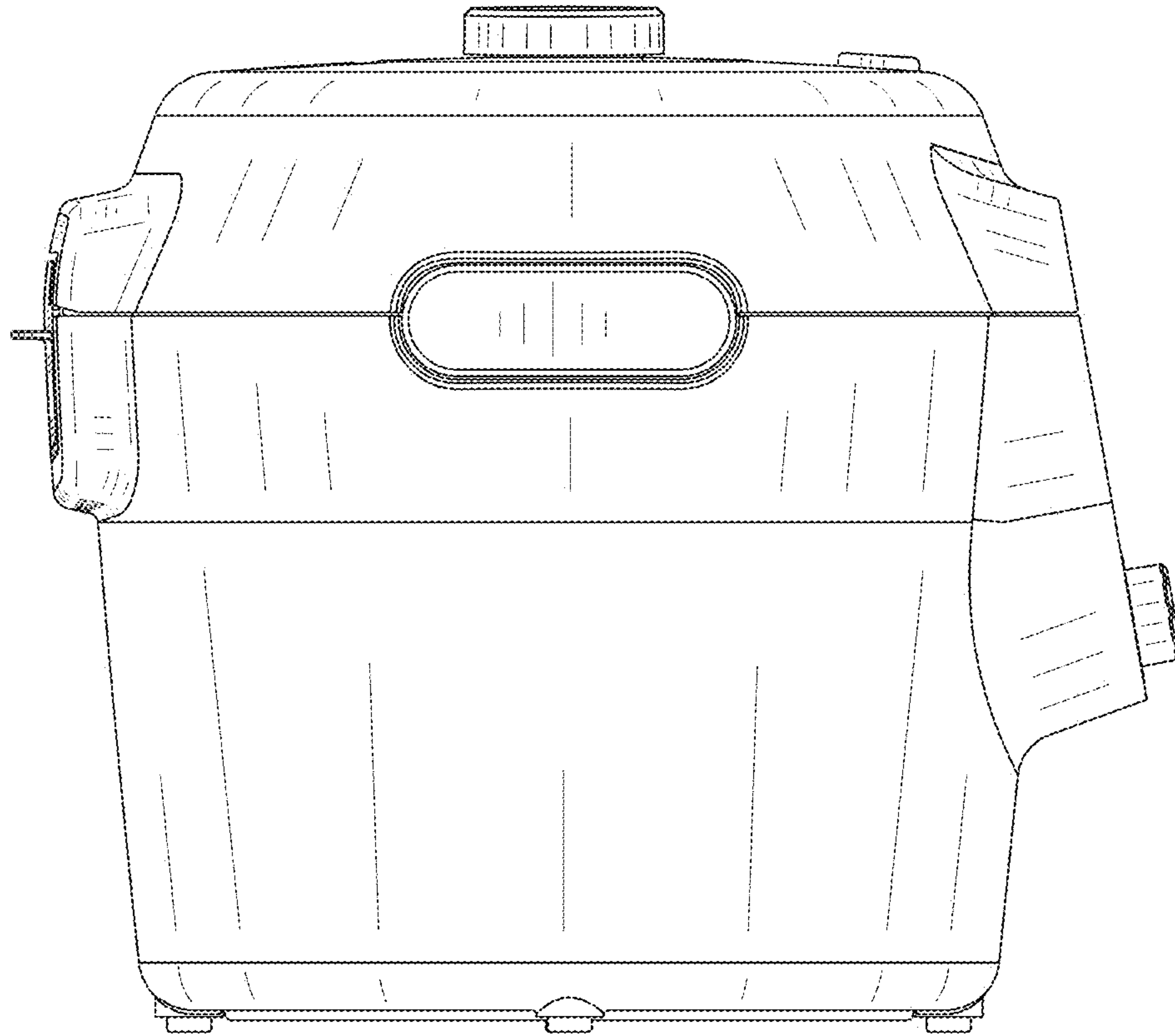


FIG. 4

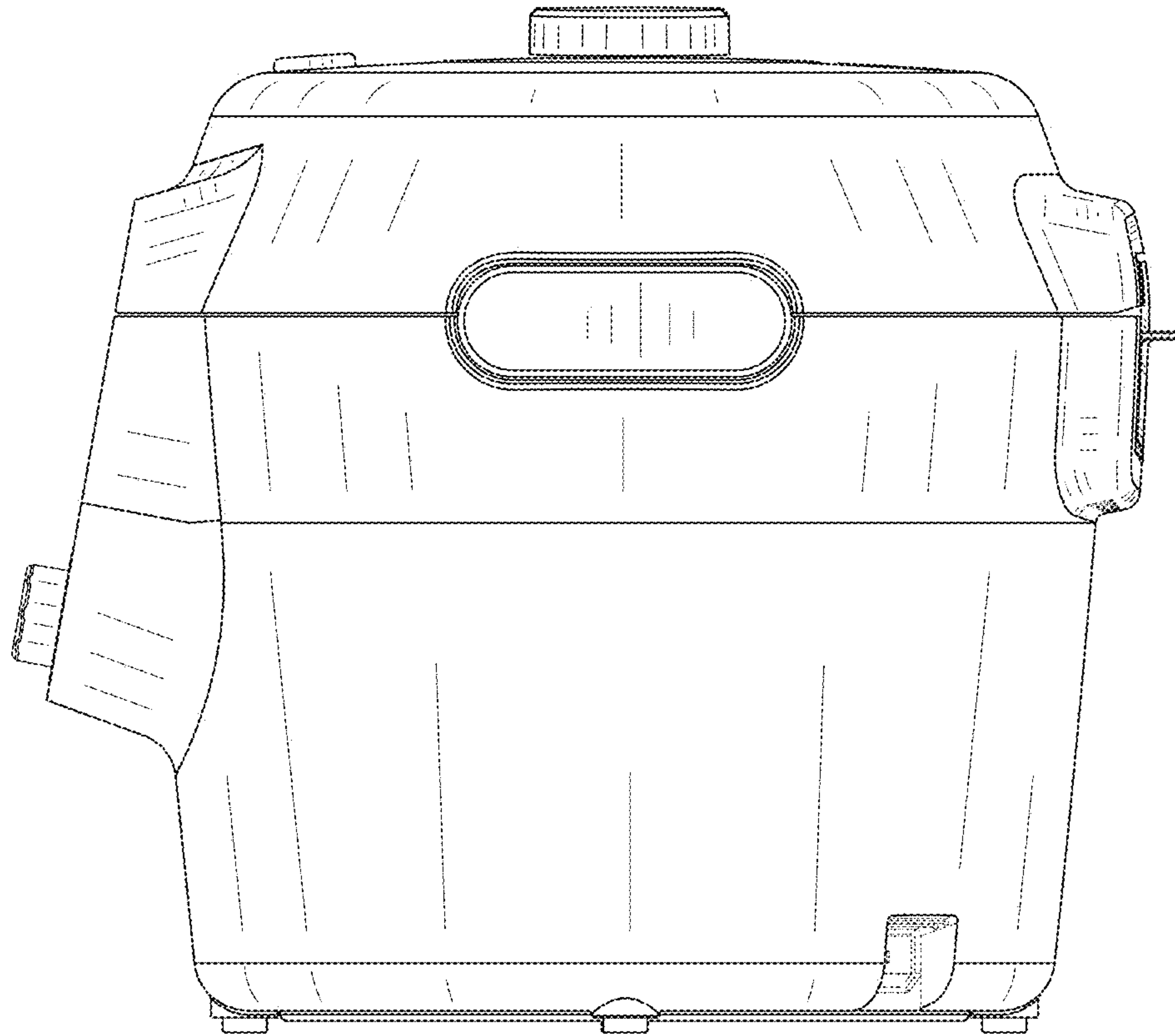


FIG. 5

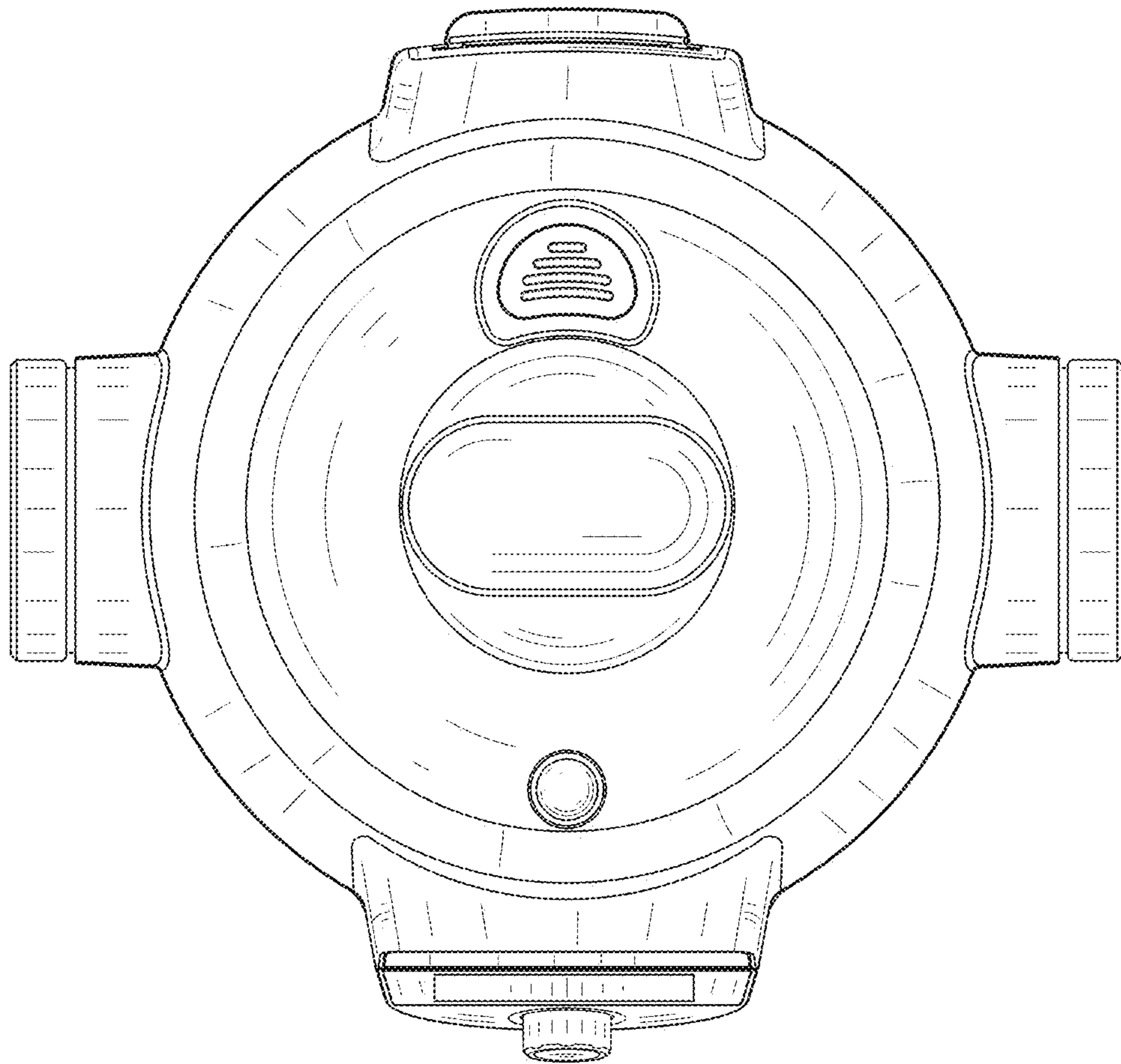


FIG. 6

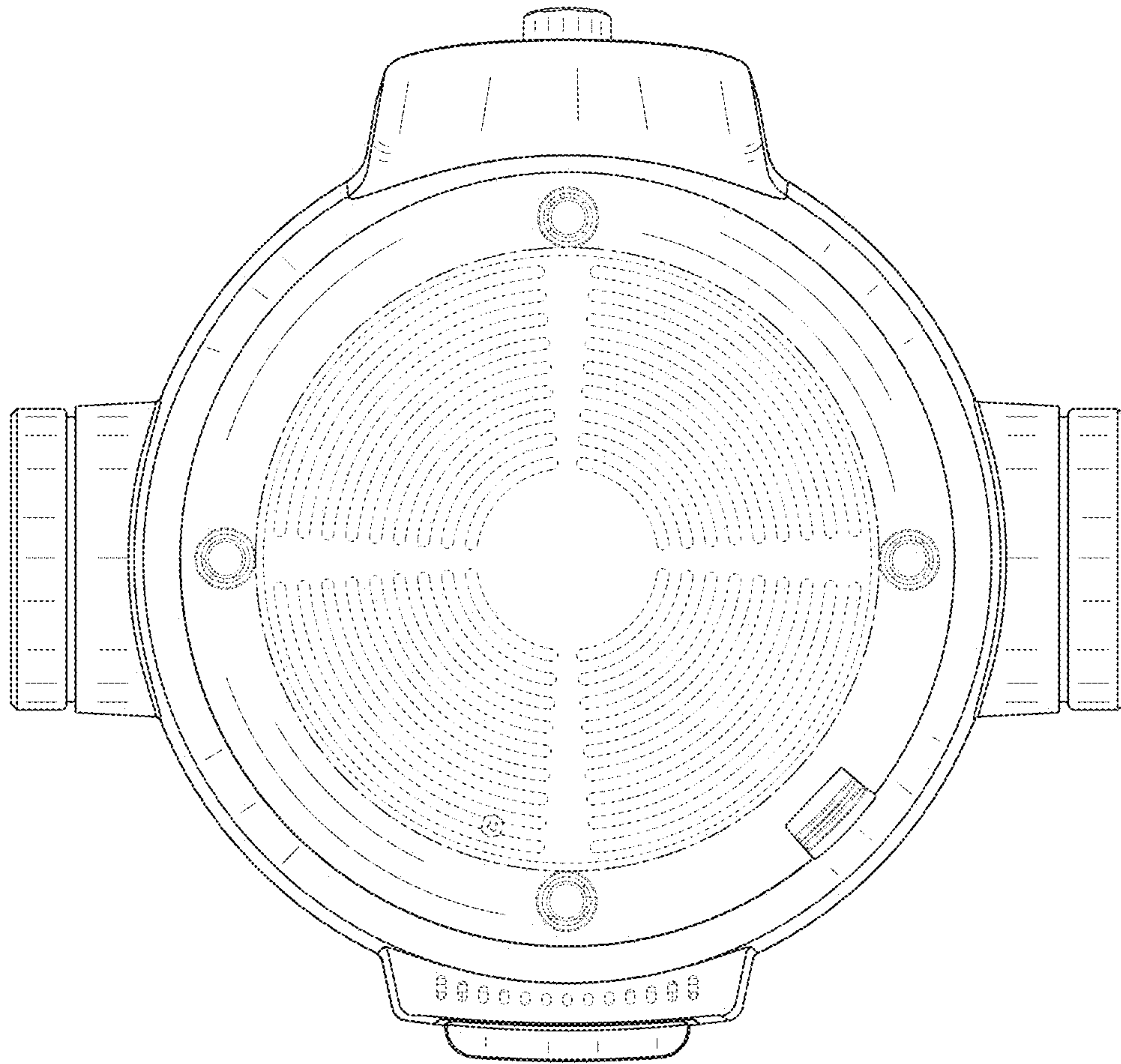


FIG. 7