



US00D899177S

(12) **United States Design Patent** (10) **Patent No.:** **US D899,177 S**
Reid (45) **Date of Patent:** **** Oct. 20, 2020**

(54) **MICROWAVE OVEN**
(71) Applicant: **Breville Pty Limited**, Alexandria (AU)
(72) Inventor: **Harrison Eugene Hamilton Reid**,
Alexandria (AU)
(73) Assignee: **Breville Pty Limited**, Alexandria (AU)
(**) Term: **15 Years**

D335,064 S * 4/1993 Sugiyama D7/351
D413,758 S * 9/1999 Hessen D7/351
D430,452 S * 9/2000 Noda D7/351
D442,018 S * 5/2001 Kusachi D7/351
D455,932 S * 4/2002 Noda D7/351
D476,521 S * 7/2003 Fukuda D7/351
D478,465 S * 8/2003 Kanza D7/351
D509,399 S * 9/2005 Kanza D7/351
D534,757 S * 1/2007 Mizuno D7/351
D582,211 S * 12/2008 Green D7/405

(Continued)

(21) Appl. No.: **29/684,081**

FOREIGN PATENT DOCUMENTS

(22) Filed: **Mar. 18, 2019**

CA 2494174 A1 * 2/2004 F24C 15/007

(30) **Foreign Application Priority Data**

OTHER PUBLICATIONS

Dec. 17, 2018 (AU) 201817583

(51) **LOC (12) Cl.** **07-02**

(52) **U.S. Cl.**
USPC **D7/351**

(58) **Field of Classification Search**
USPC D7/323, 331, 334, 338, 339, 340, 341,
D7/347, 348, 349, 350.1, 350.3, 350.4,
D7/351, 362, 363, 364, 365, 390,
D7/402-407; D23/314, 322, 323, 329,
D23/330, 335, 341; D99/28, 43;
D15/122, 138, 141, 144, 199; D8/311,
D8/312, 315, 316, 333, 334; D3/203.1;
D6/672, 675, 702, 703, 559, 663, 705.5;
D21/523, 524, 525, 561

CPC . H05B 6/12; H05B 6/64; H05B 6/806; H05B
6/6426; H05B 6/6412; A21B 1/52; A21B
1/00; A47J 37/00; A47J 37/0763; A47J
37/36; F24C 15/08; F24C 15/2024; F27D
9/00; F27D 2009/0018; F27D 2009/004;
F27B 2014/0837; F23D 14/02

See application file for complete search history.

Viking Microwave Oven: Announced Nov. 4, 2014 [online]. Site
Visited [Mar. 2, 2020]. Available from Internet URL: <https://www.turbosquid.com/3d-models/viking-microwave-vmoc206-3d5/863932>.*

Primary Examiner — Catherine S Posthauer

(74) *Attorney, Agent, or Firm* — Moser Taboada

(57) **CLAIM**

The ornamental design for a microwave oven, as shown and
described.

DESCRIPTION

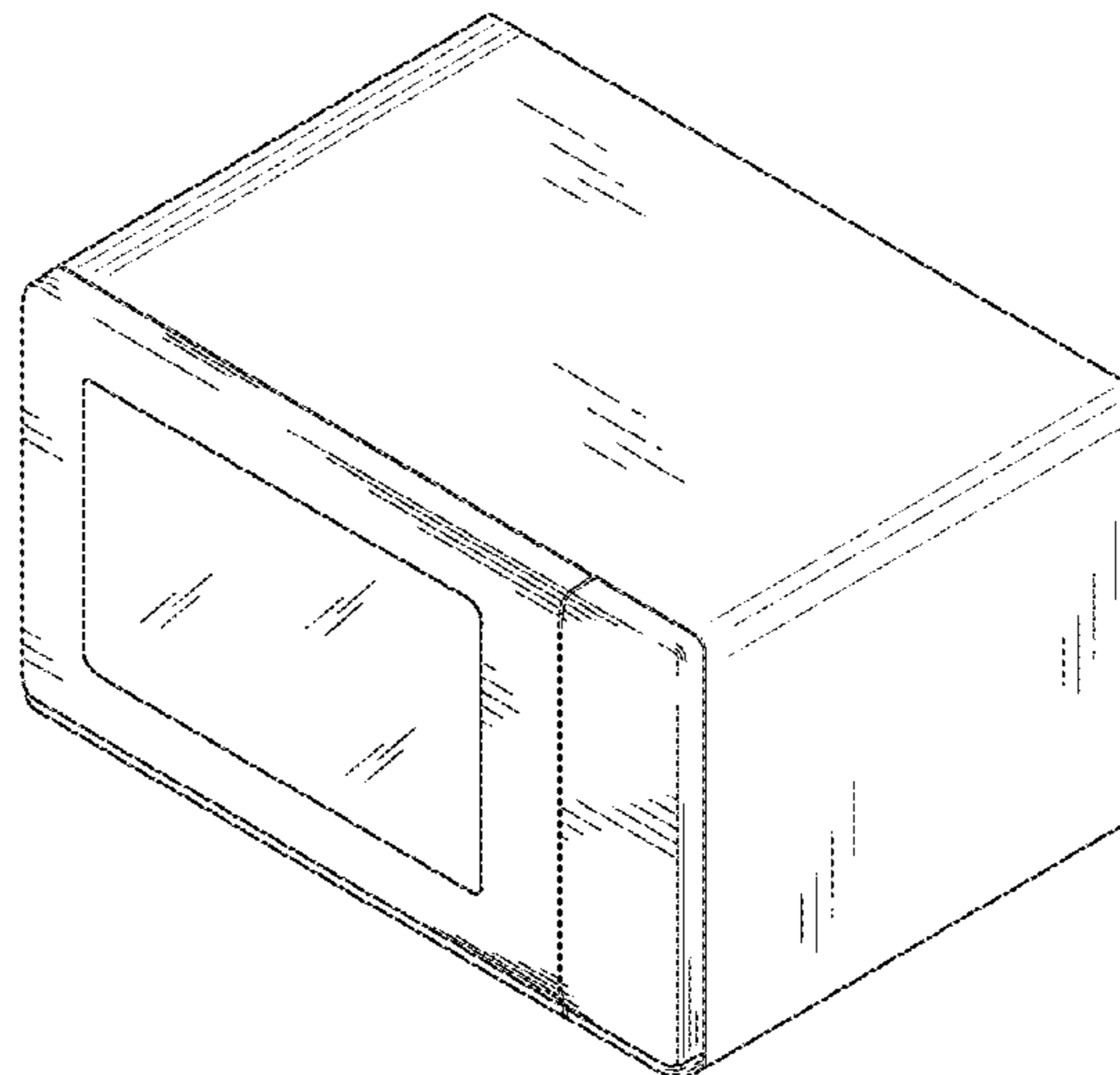
FIG. 1 is a front view of a microwave oven, showing my new
design;
FIG. 2 is a rear view of the design shown in FIG. 1;
FIG. 3 is a right side view of the design shown in FIG. 1;
FIG. 4 is a left side view of the design shown in FIG. 1;
FIG. 5 is a top view of the design shown in FIG. 1;
FIG. 6 is a bottom view of the design shown in FIG. 1;
FIG. 7 is a front perspective view of the design shown in
FIG. 1; and,
FIG. 8 is a rear perspective view of the design shown in FIG.
1.

(56) **References Cited**

U.S. PATENT DOCUMENTS

D242,420 S * 11/1976 Sonoda et al. D7/351
D318,397 S * 7/1991 Jung D7/351

1 Claim, 5 Drawing Sheets



(56)

References Cited

U.S. PATENT DOCUMENTS

D639,105	S	*	6/2011	Shin	D7/351
D665,220	S	*	8/2012	Ohmae	D7/351
D678,711	S	*	3/2013	Reiner	D7/350.1
D693,167	S	*	11/2013	Kim	D7/351
D750,431	S	*	3/2016	Bergese	D7/405
D764,229	S	*	8/2016	Chung	D7/405
D766,657	S	*	9/2016	Bergese	D7/405
D772,639	S	*	11/2016	Kim	D7/351
D772,646	S	*	11/2016	Kim	D7/405
D773,235	S	*	12/2016	Chung	D7/351
D779,263	S	*	2/2017	Suh	D7/351
D779,876	S	*	2/2017	Chung	D7/405
D781,638	S	*	3/2017	Chung	D7/351
D792,740	S	*	7/2017	Green	D7/405
D836,376	S	*	12/2018	Kim	D7/351
D836,377	S	*	12/2018	Kim	D7/351
D836,378	S	*	12/2018	Kim	D7/351
D843,160	S	*	3/2019	Kang	D7/351
D854,873	S	*	7/2019	Hu	D7/351
D859,053	S	*	9/2019	Baacke	D7/339
D862,981	S	*	10/2019	Bergese	D7/405
D873,064	S	*	1/2020	Kim	D7/351

* cited by examiner

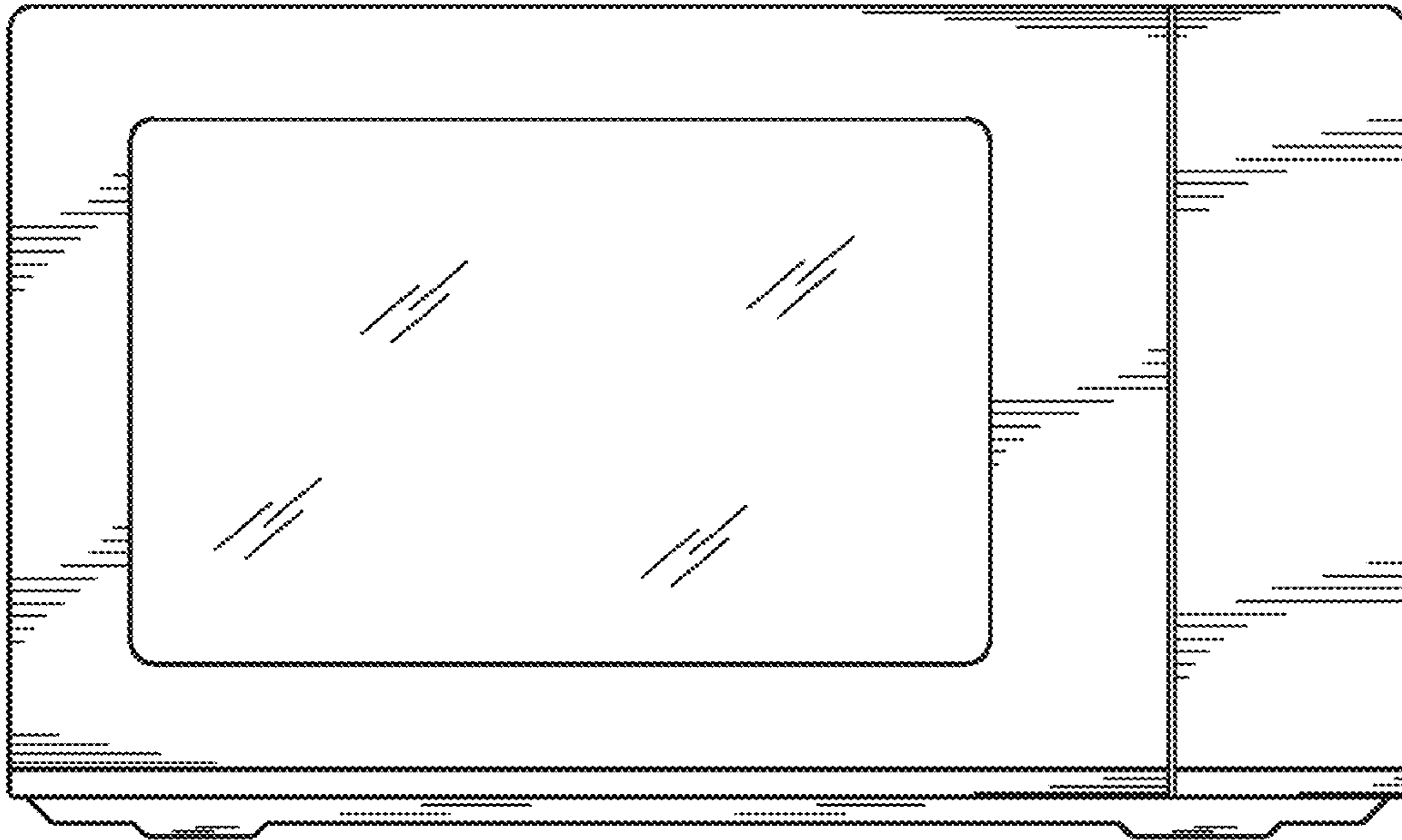


FIG. 1

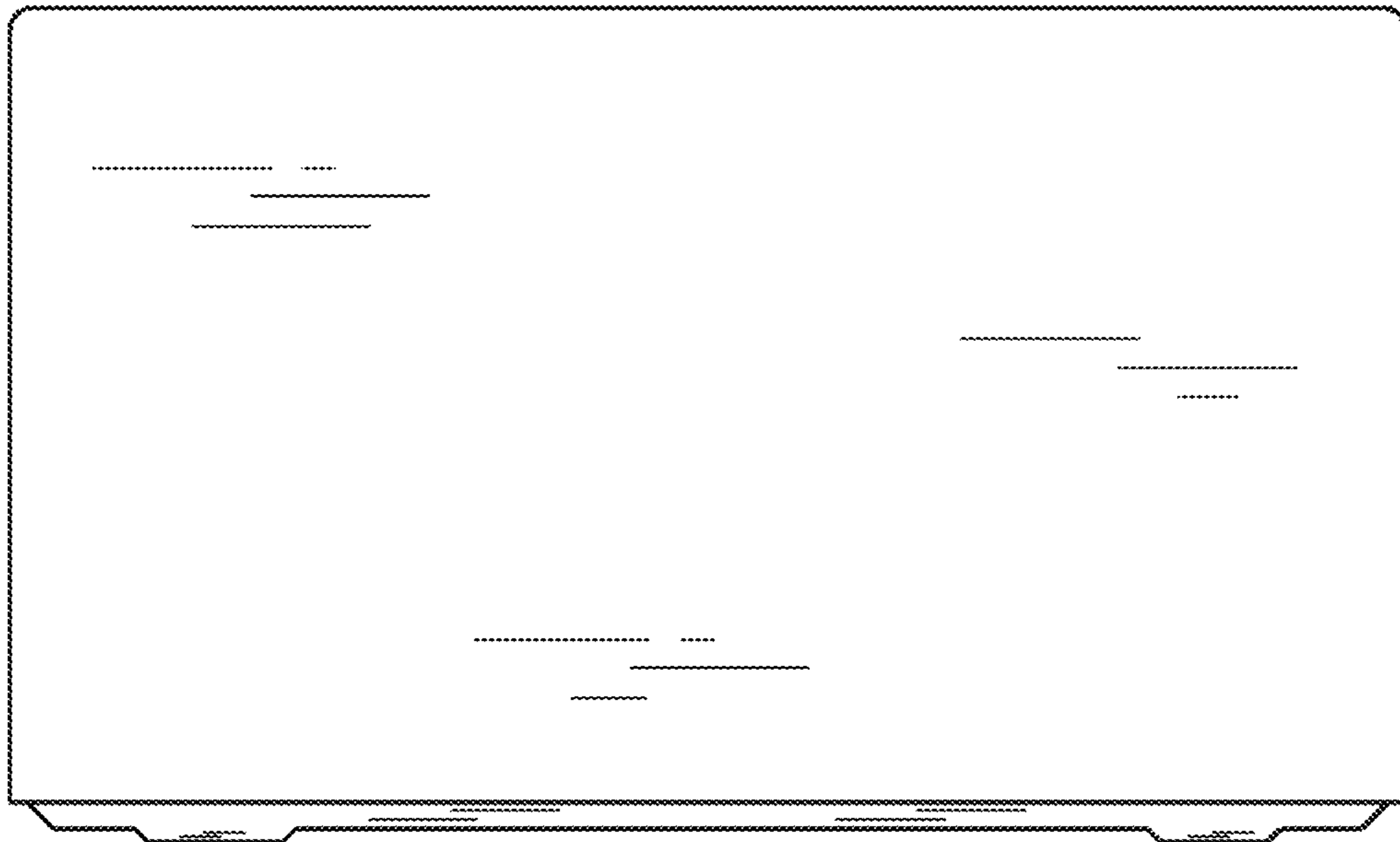


FIG. 2

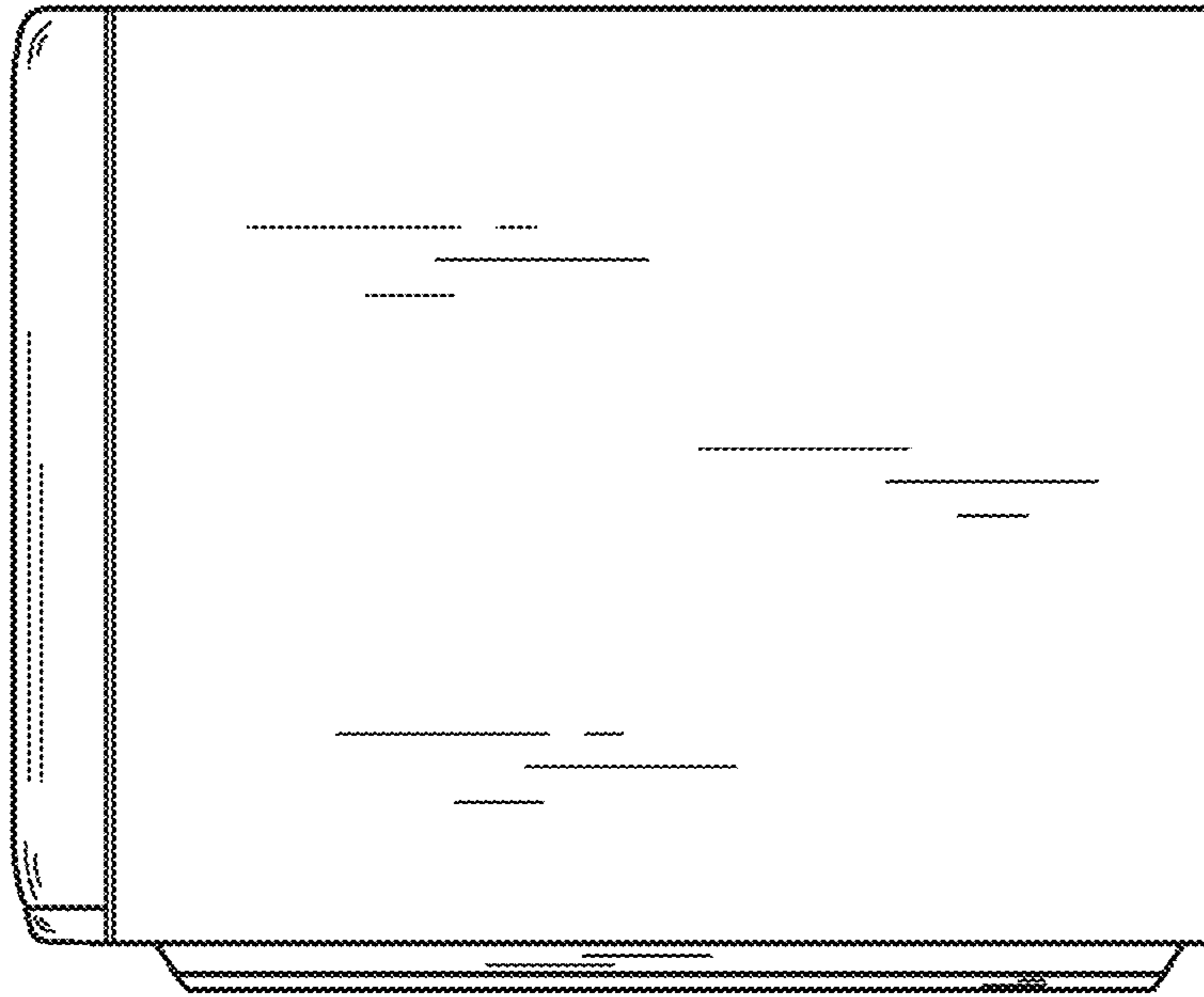


FIG. 3

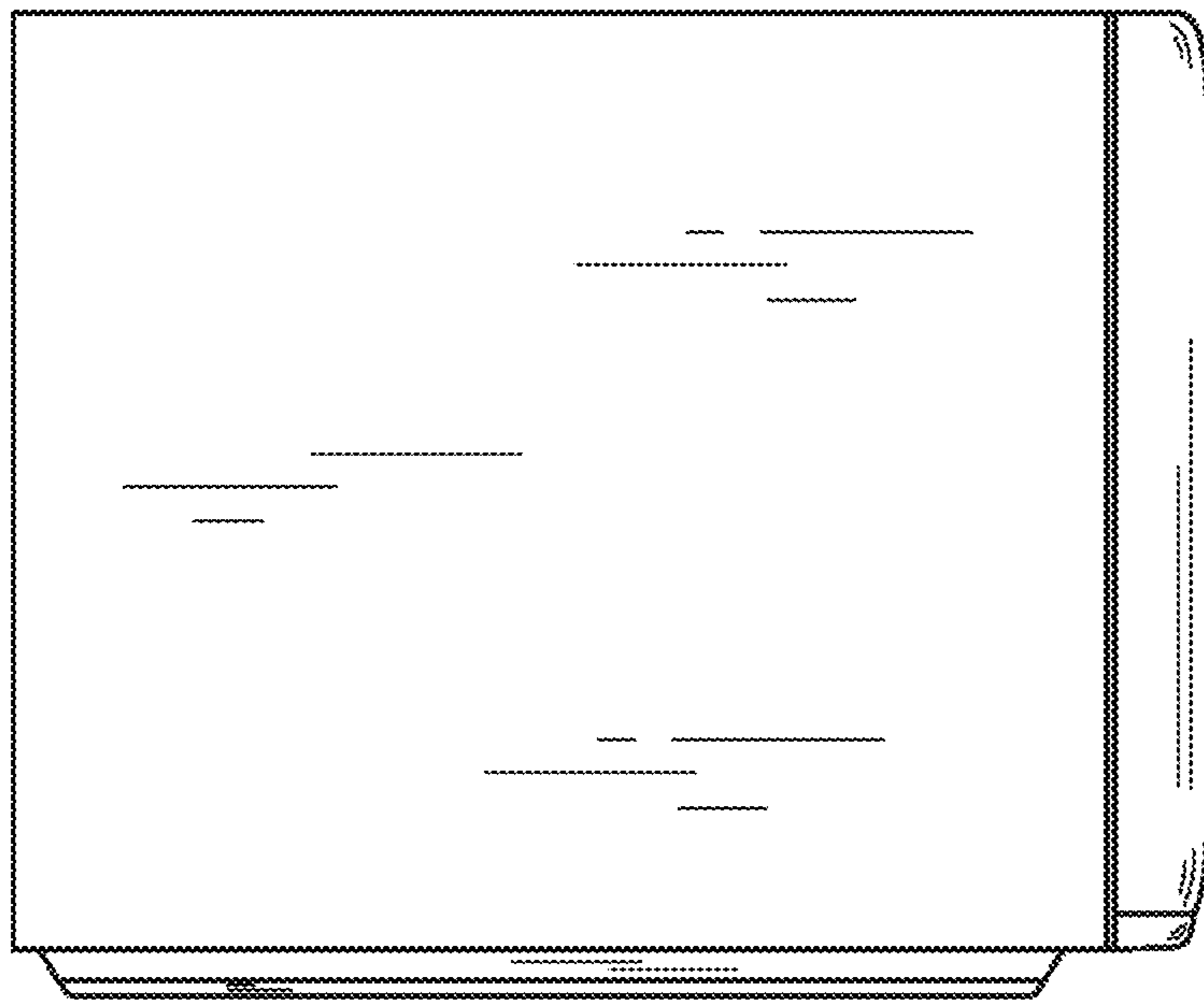


FIG. 4

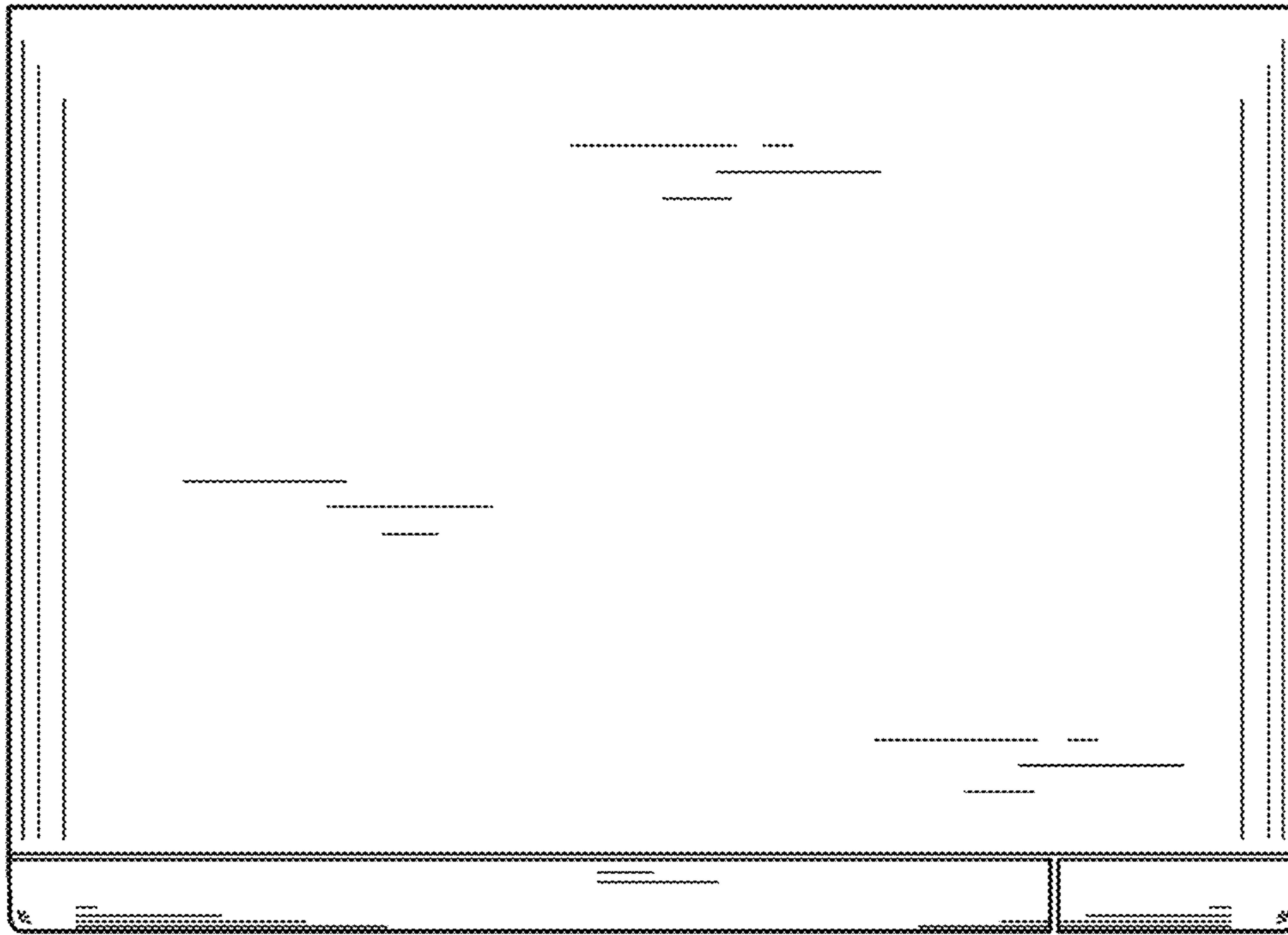


FIG. 5

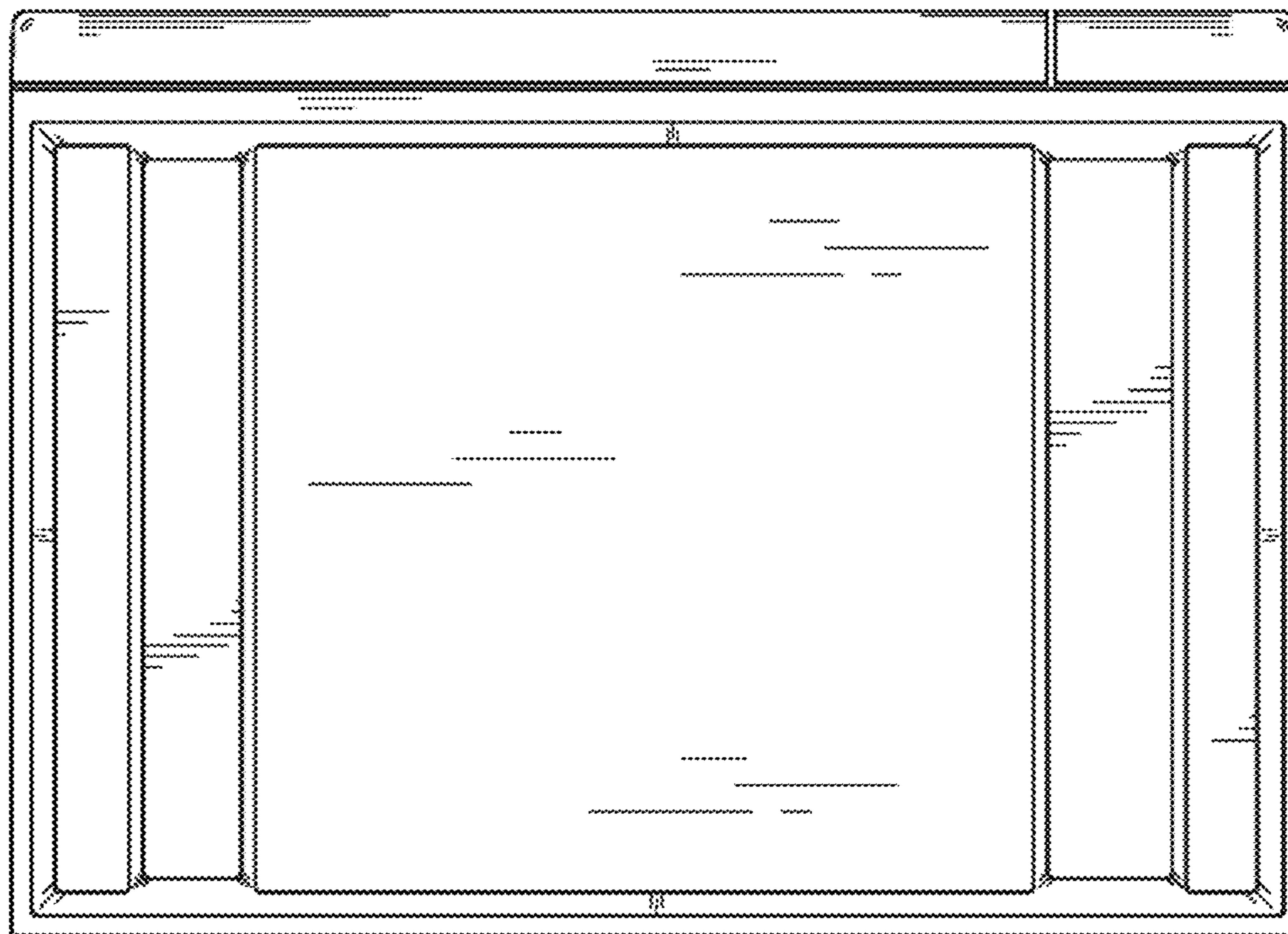


FIG. 6

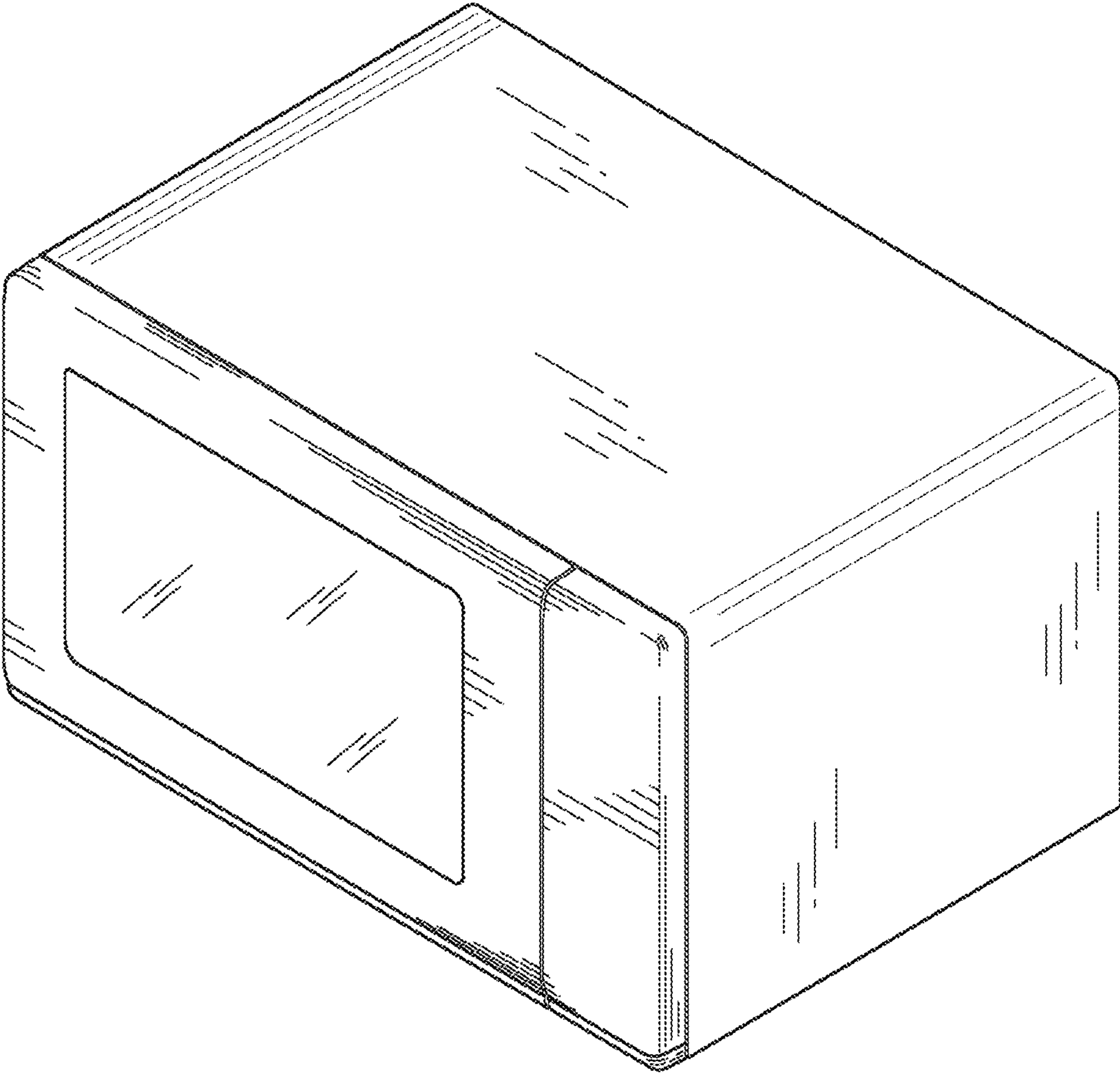


FIG. 7

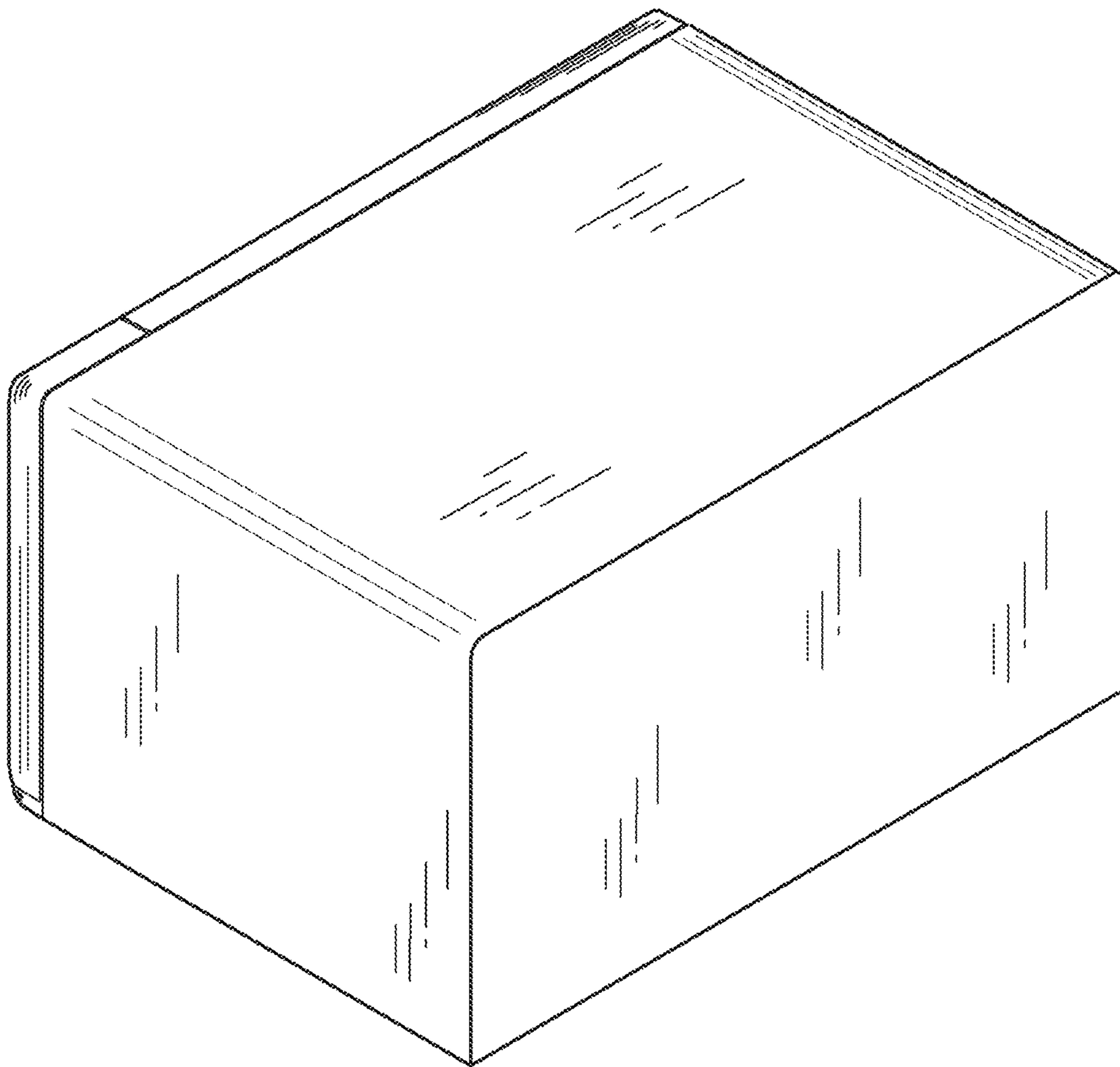


FIG. 8