



US00D899176S

(12) **United States Design Patent** (10) **Patent No.:** **US D899,176 S**  
**Lien** (45) **Date of Patent:** **\*\* Oct. 20, 2020**

(54) **OVEN**

(56) **References Cited**

(71) Applicant: **MOR DESIGNS LTD.**, Taipei (TW)

U.S. PATENT DOCUMENTS

(72) Inventor: **Hung Mei Lien**, Taipei (TW)

D485,467 S *	1/2004	Pai	.....	D7/334
D533,010 S *	12/2006	Pai	.....	D7/334
D544,289 S *	6/2007	Tseng	.....	D7/332
D546,116 S *	7/2007	Tseng	.....	D7/334
D547,108 S *	7/2007	Tseng	.....	D7/332
D547,109 S *	7/2007	Tseng	.....	D7/334
D554,944 S *	11/2007	Wood	.....	D7/402
D560,419 S *	1/2008	Lockhart	.....	D7/334
D563,150 S *	3/2008	Chau	.....	D7/334
D584,562 S *	1/2009	Chau	.....	D7/334
D623,002 S *	9/2010	Minshall	.....	D7/334
D680,798 S *	4/2013	Chung	.....	D7/334
2006/0054156 A1 *	3/2006	Zelek	.....	A47J 37/0704 126/25 R

(73) Assignee: **MOR DESIGNS LTD.**, Taipei (TW)

(\*\*) Term: **15 Years**

(21) Appl. No.: **29/657,893**

(22) Filed: **Jul. 26, 2018**

(30) **Foreign Application Priority Data**

Jun. 8, 2018 (CN) ..... 2018 3 0287545

(51) **LOC (12) Cl.** ..... **07-02**

(52) **U.S. Cl.**  
USPC ..... **D7/348**

(58) **Field of Classification Search**  
USPC ..... D7/323, 328-334, 339-349, 390,  
D7/402-406; D8/300-306

CPC ... A21B 2/00; A47J 37/00; A47J 37/06; A47J  
37/0611; A47J 37/0704; A47J 37/08;  
A47J 37/0807; A47J 37/0814; A47J  
37/0835; A47J 37/0842; A47J 37/085;  
A47J 37/0864; A47J 37/0878; A47J  
37/0885; A47J 37/0892; F24C 7/00; F24C  
7/002; F24C 7/046; F24C 7/067; F24C  
15/02; F24C 15/04; F24C 15/10; F24C  
15/102

See application file for complete search history.

\* cited by examiner

*Primary Examiner* — Ricky Pham

(74) *Attorney, Agent, or Firm* — Nixon & Vanderhye PC

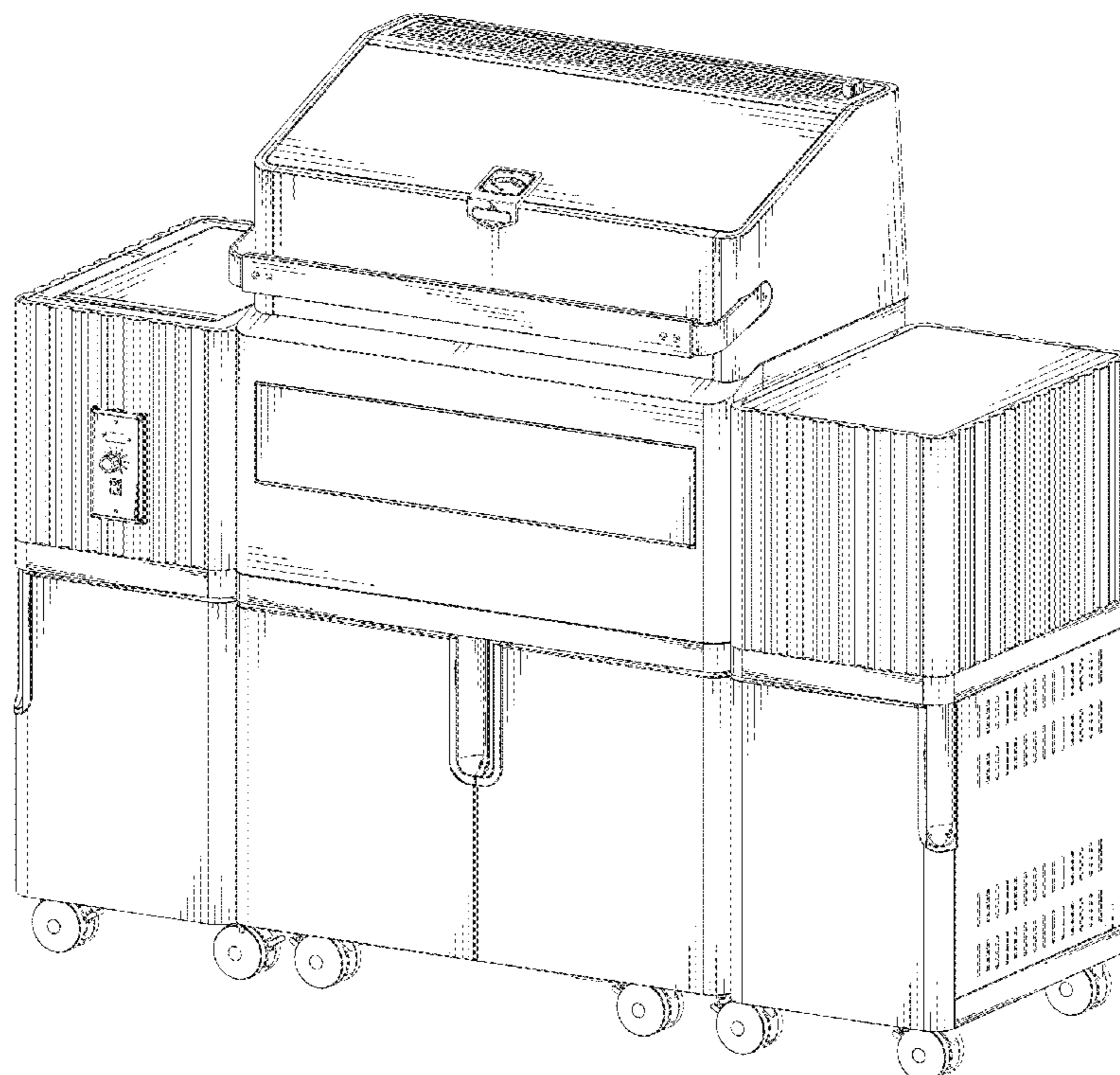
(57) **CLAIM**

The ornamental design for an oven, as shown and described.

**DESCRIPTION**

FIG. 1 is a perspective view of an oven;  
FIG. 2 is a front view thereof;  
FIG. 3 is a rear view thereof;  
FIG. 4 is a left view thereof;  
FIG. 5 is a right view thereof;  
FIG. 6 is a bottom view thereof; and,  
FIG. 7 is a top view thereof.  
The broken lines show portions of an oven that form no part  
of the claimed design.

**1 Claim, 7 Drawing Sheets**



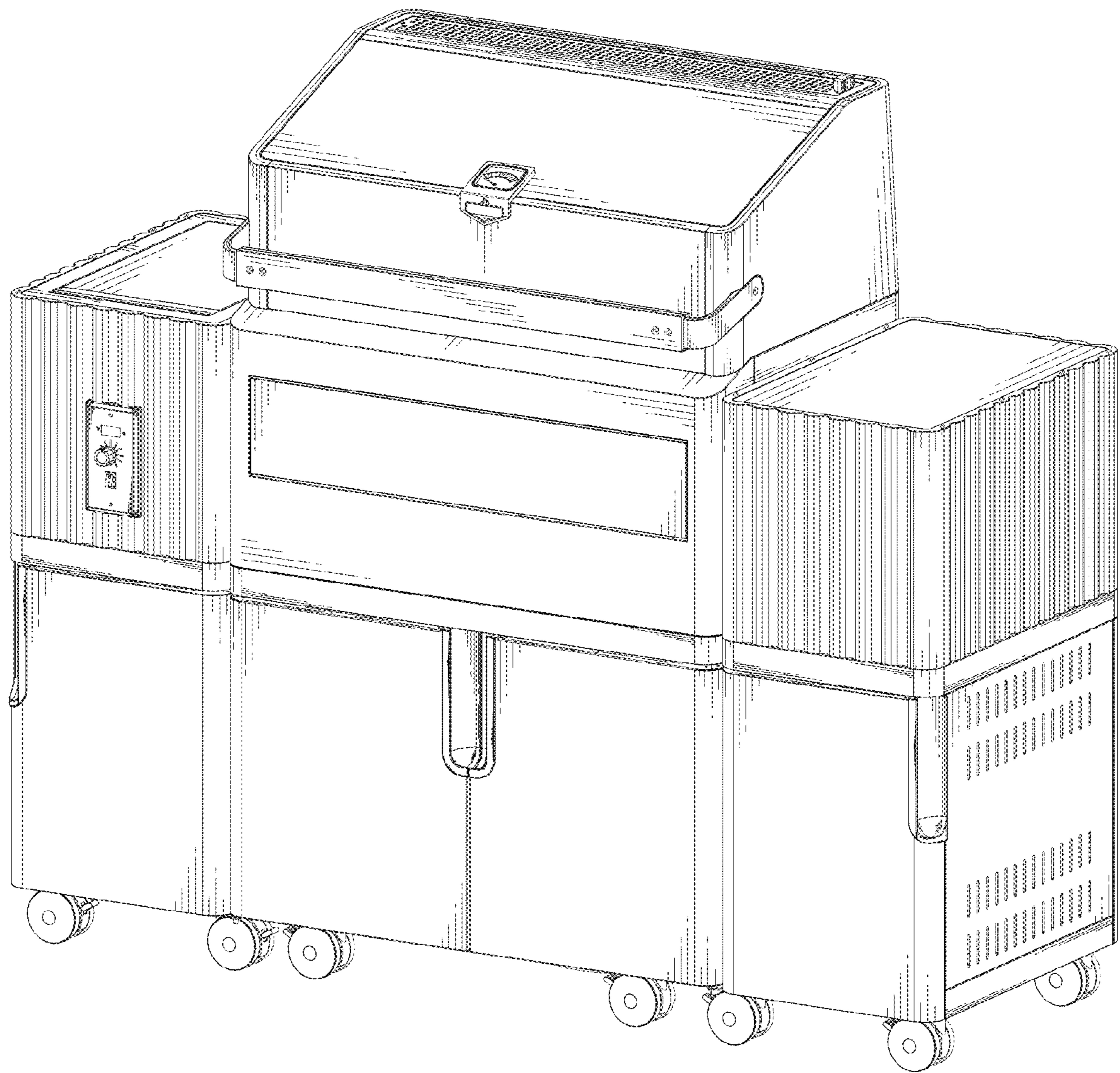


FIG. 1

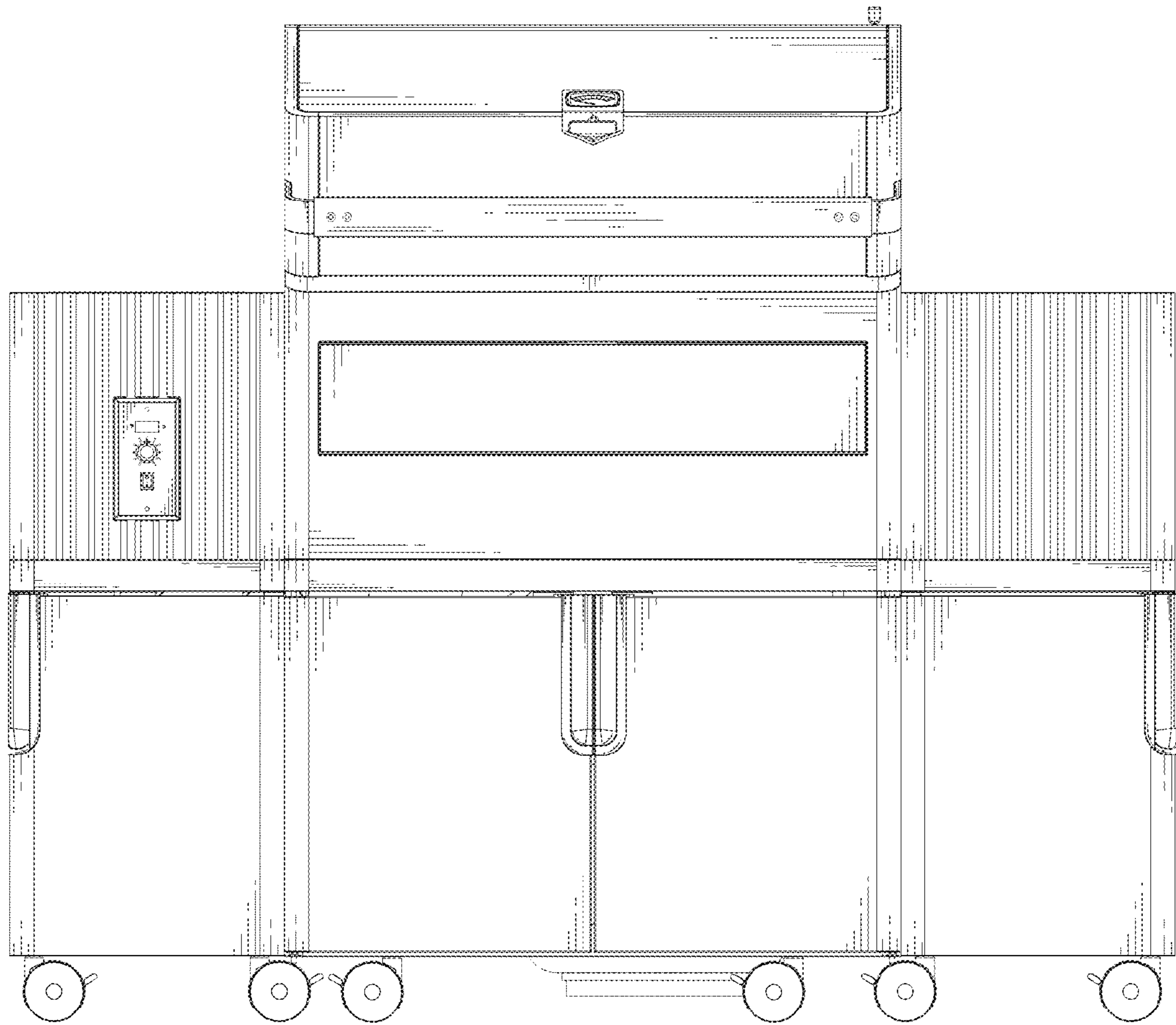


FIG. 2

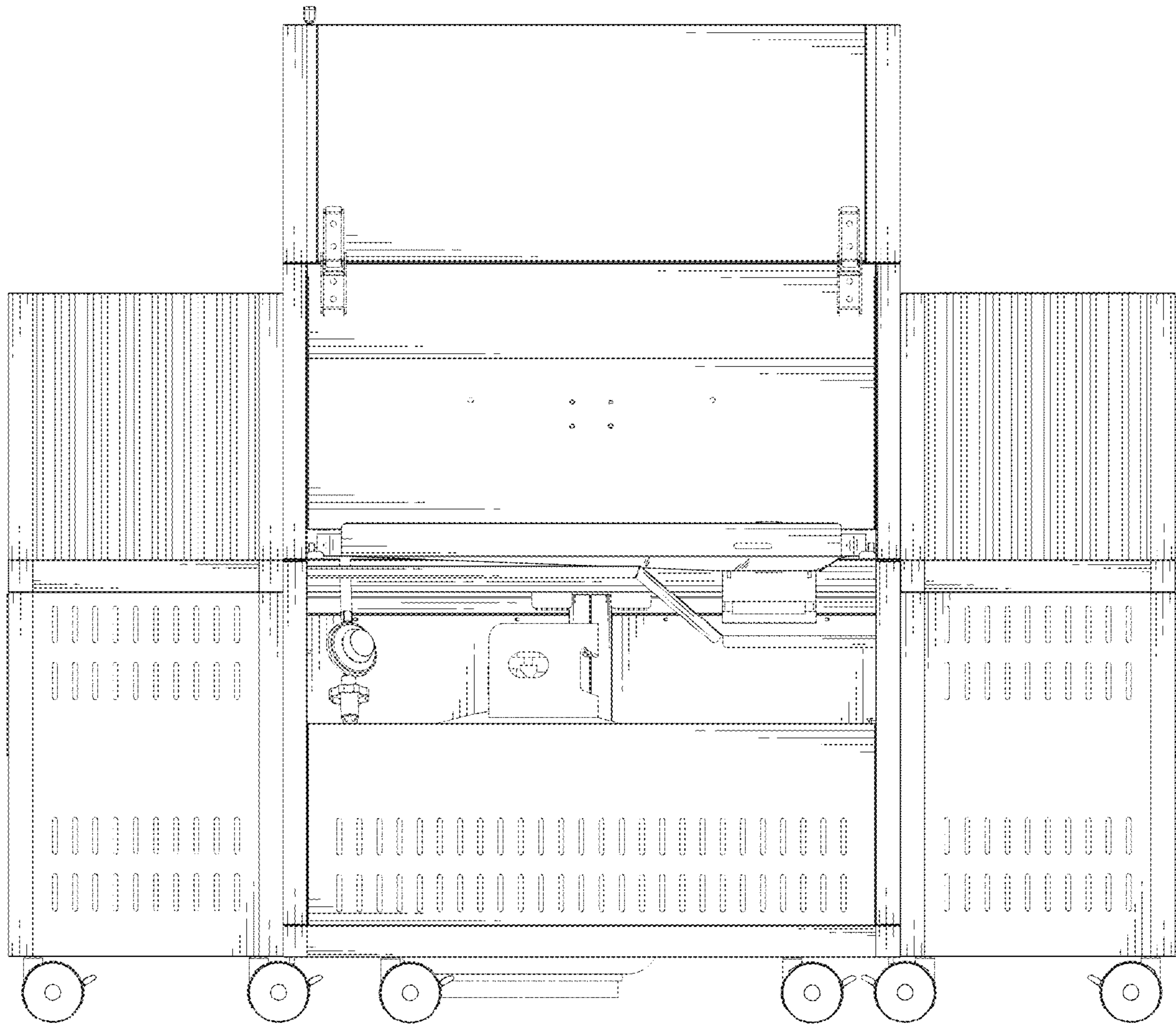


FIG. 3

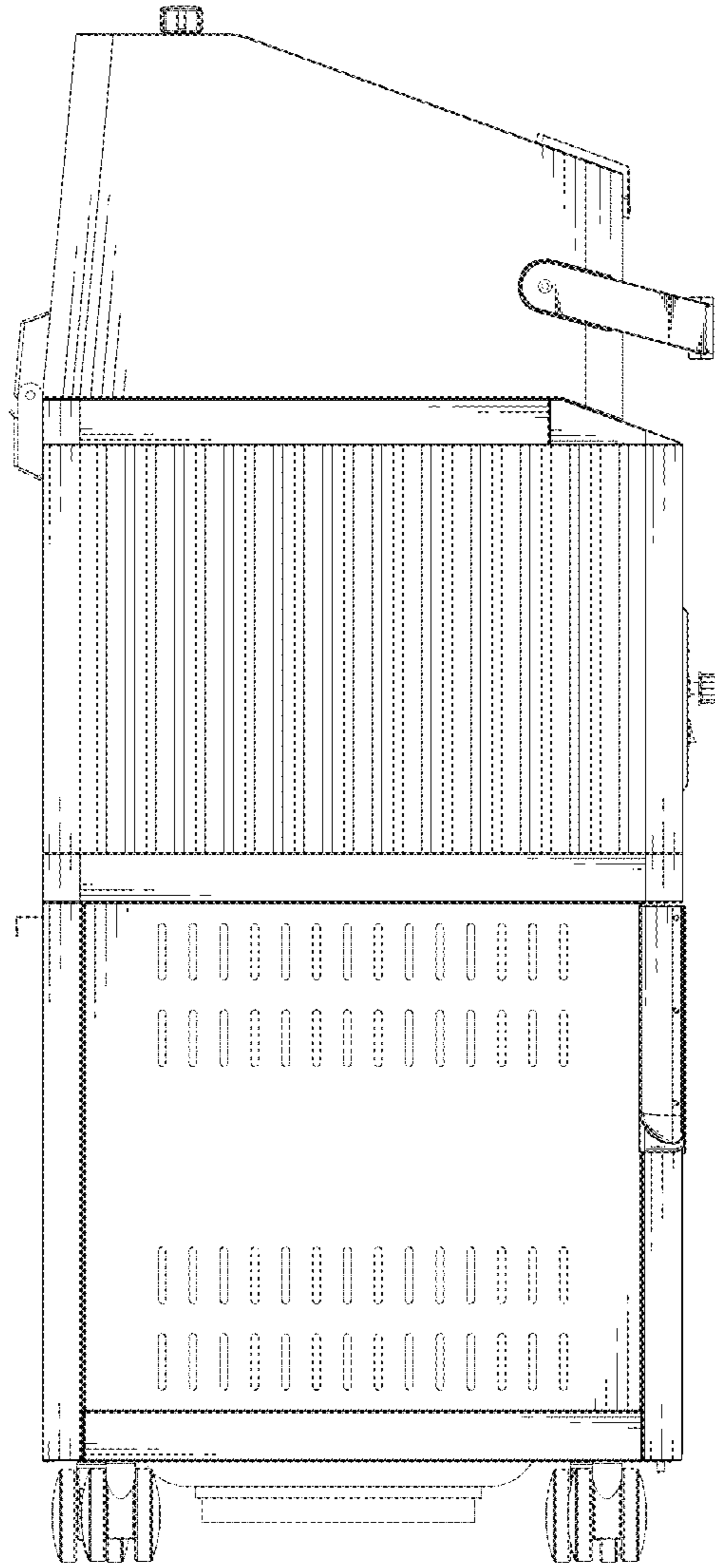


FIG. 4

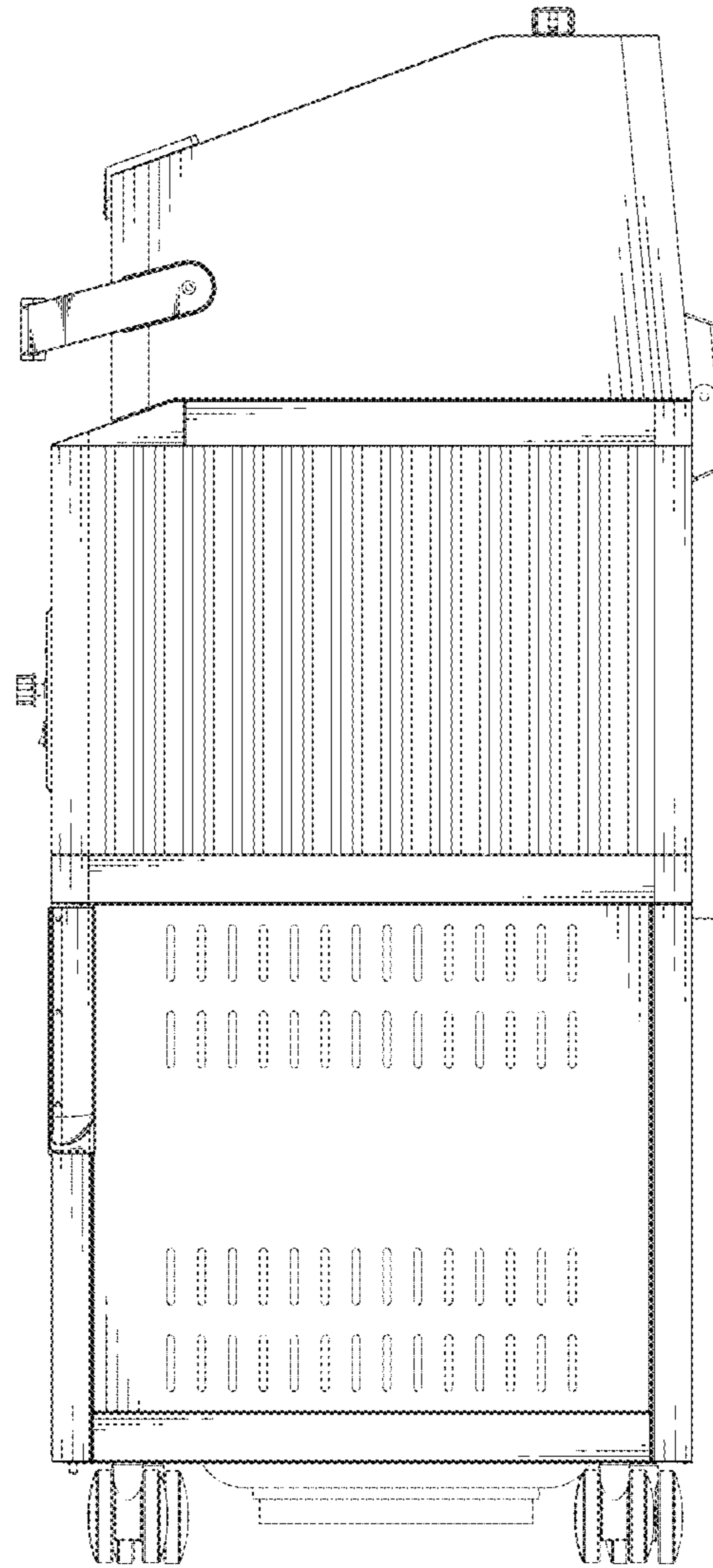


FIG. 5

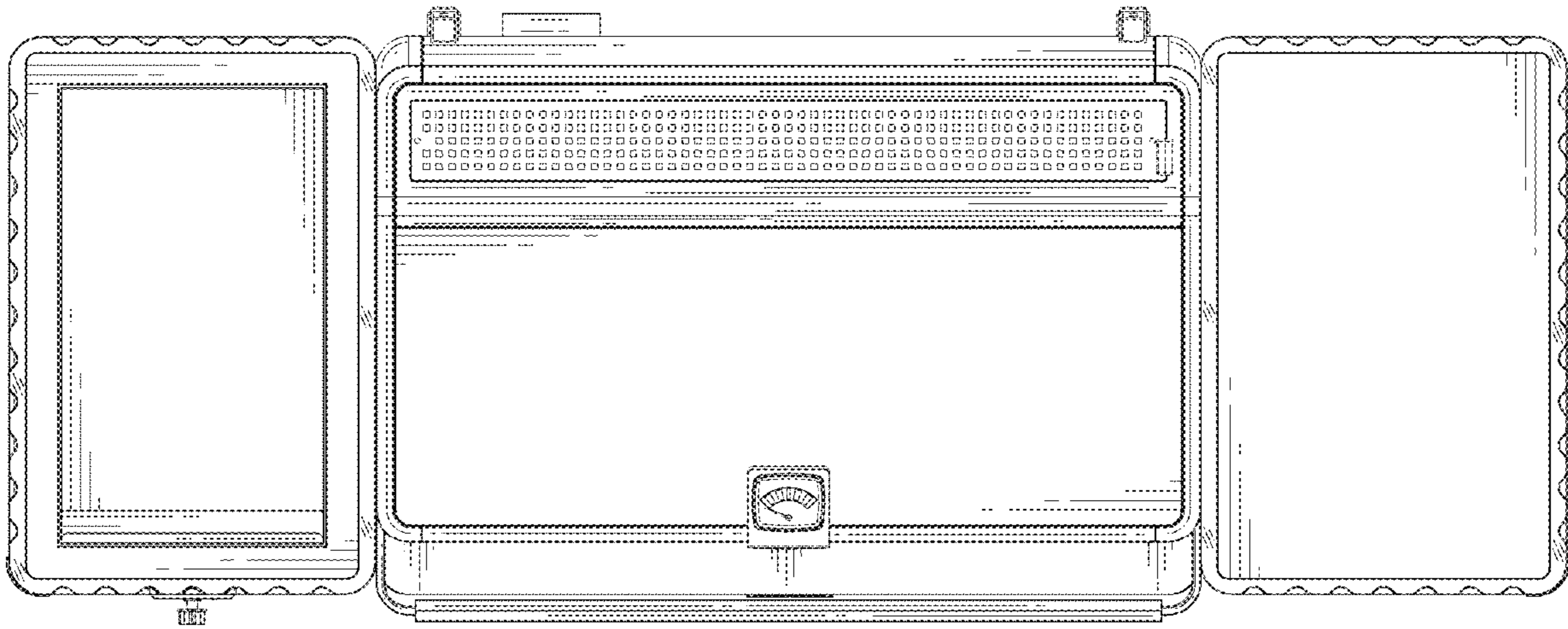


FIG. 6

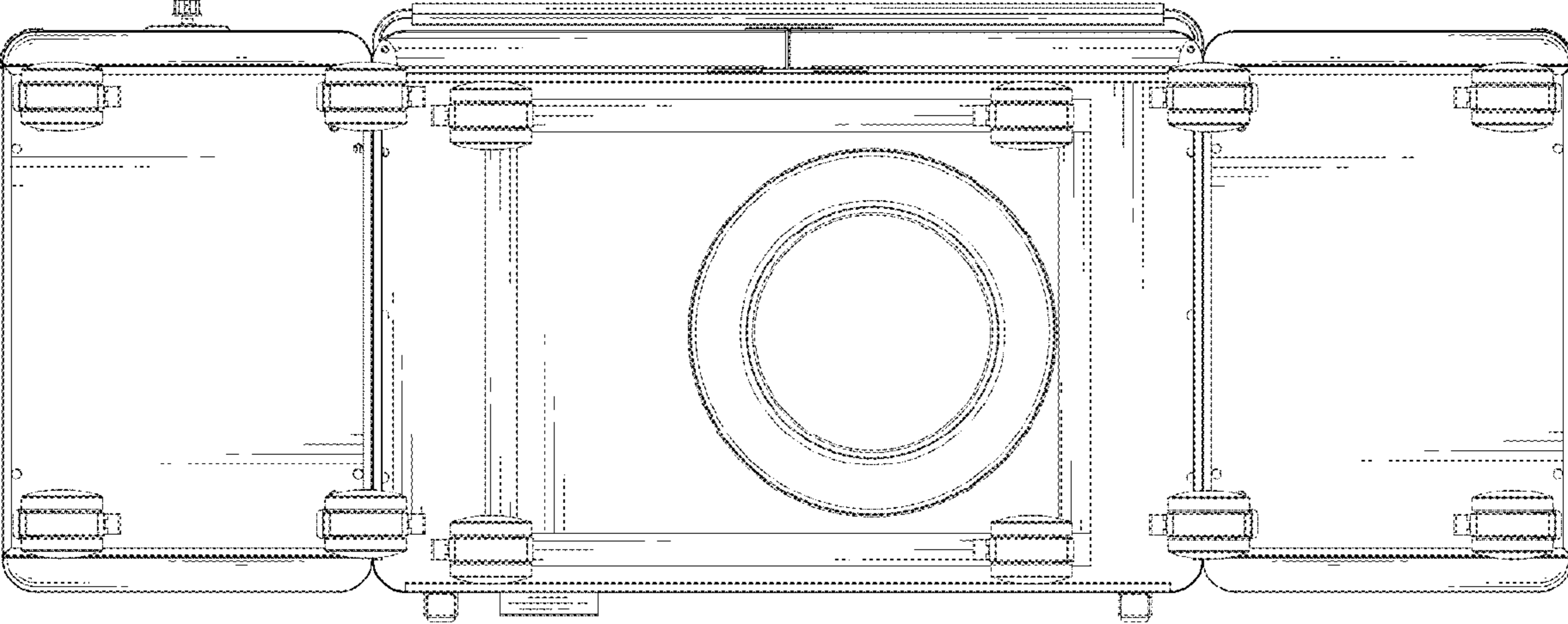


FIG. 7