



US00D899175S

(12) **United States Design Patent** (10) **Patent No.:** **US D899,175 S**
Manicardi et al. (45) **Date of Patent:** **** Oct. 20, 2020**

(54) **COOKING APPLIANCES AND UTENSILS**

DESCRIPTION

(71) Applicant: **ANGELO PO GRANDI CUCINE—SOCIETA' PER AZIONI**, Carpi (IT)

(72) Inventors: **Dario Manicardi**, Carpi (IT); **Fabio Segato**, Vignola (IT)

(73) Assignee: **ANGELO PO GRANDI CUCINE SOCIETA' PER AZIONI** (IT)

(**) Term: **15 Years**

(21) Appl. No.: **29/644,470**

(22) Filed: **Apr. 18, 2018**

(30) **Foreign Application Priority Data**

Oct. 19, 2017 (EM) 004412062

(51) **LOC (12) Cl.** **07-02**

(52) **U.S. Cl.**
USPC **D7/339**

(58) **Field of Classification Search**
USPC D7/306, 307, 323, 326, 328–330, 332,
D7/339–349, 350.1–350.4, 351, 390,
D7/402–406; D8/300–306
(Continued)

(56) **References Cited**

U.S. PATENT DOCUMENTS

D202,185 S * 9/1965 Meissner D7/351
4,924,072 A * 5/1990 Oslin A47J 27/04
219/400

(Continued)

Primary Examiner — Ricky Pham

(74) *Attorney, Agent, or Firm* — Laubscher & Laubscher, P.C.

(57) **CLAIM**

The ornamental design for cooking appliances and utensils, as shown.

FIG. 1 is a front perspective view of a first embodiment of a cooking appliance showing our new design;
 FIG. 2 is a front elevation view of the cooking appliance of FIG. 1;
 FIG. 3 is rear elevation view of the cooking appliance of FIG. 1;
 FIG. 4 is a left side elevation view of the cooking appliance of FIG. 1;
 FIG. 5 is a right side elevation view of the cooking appliance of FIG. 1;
 FIG. 6 is a top plan view of the cooking appliance of FIG. 1;
 FIG. 7 is a bottom view of the cooking appliance of FIG. 1;
 FIG. 8 is a front perspective view of a second embodiment of a cooking appliance showing our new design;
 FIG. 9 is a front elevation view of the cooking appliance of FIG. 8;
 FIG. 10 is rear elevation view of the cooking appliance of FIG. 8;
 FIG. 11 is a left side elevation view of the cooking appliance of FIG. 8;
 FIG. 12 is a right side elevation view of the cooking appliance of FIG. 8;
 FIG. 13 is a top plan view of the cooking appliance of FIG. 8;
 FIG. 14 is a bottom view of the cooking appliance of FIG. 8;
 FIG. 15 is a front perspective view of an enlarged cooking appliance handle showing our new design;
 FIG. 16 is a front elevation view of the enlarged cooking appliance handle of FIG. 15;
 FIG. 17 is rear elevation view of the enlarged cooking appliance handle of FIG. 15;
 FIG. 18 is a left side elevation view of the enlarged cooking appliance handle of FIG. 15;
 FIG. 19 is a right side elevation view of the enlarged cooking appliance handle of FIG. 15;
 FIG. 20 is a top plan view of the enlarged cooking appliance handle of FIG. 15;
 FIG. 21 is a bottom view of the enlarged cooking appliance handle of FIG. 15;

(Continued)

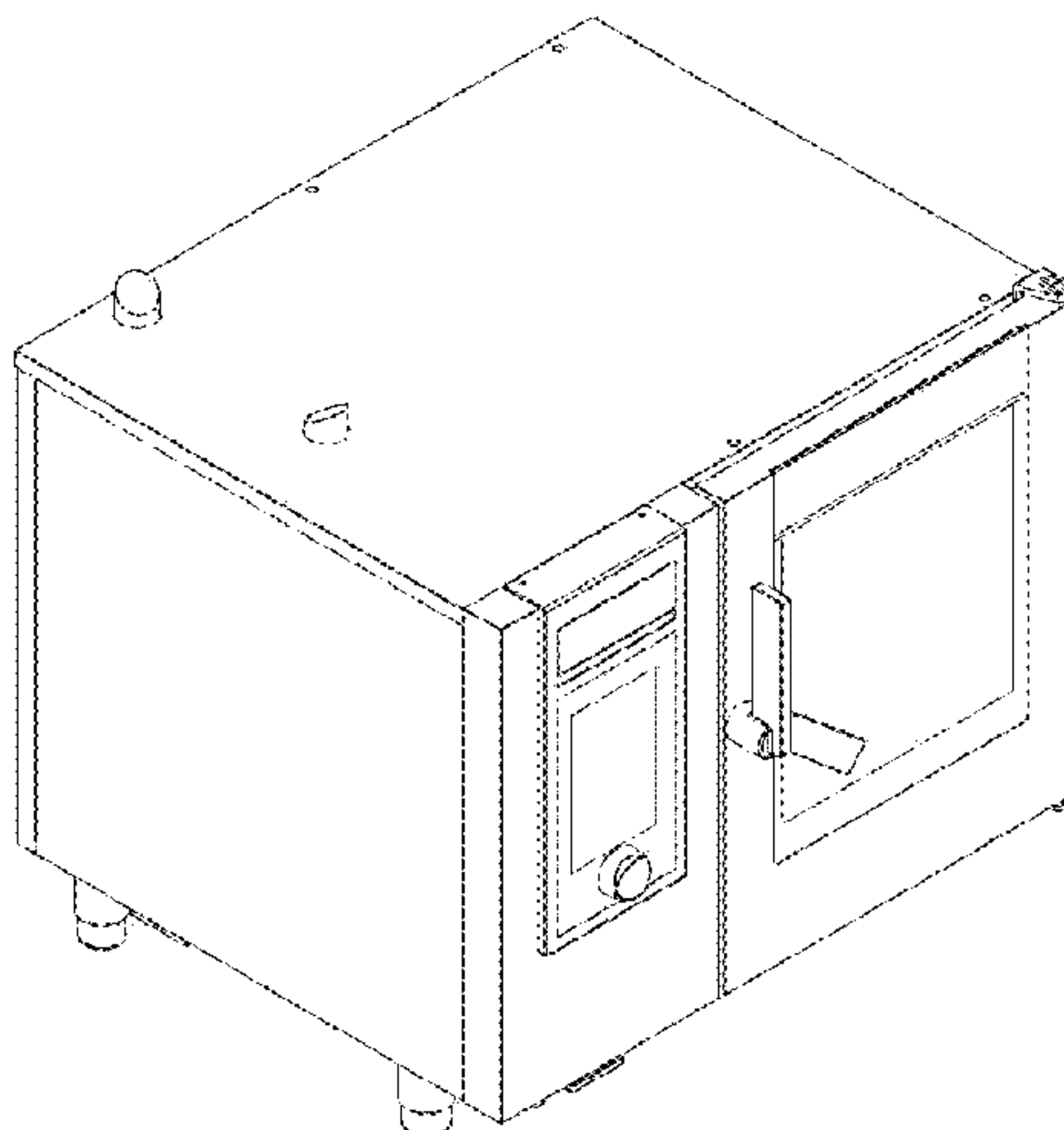


FIG. 22 is a front perspective view of an enlarged cooking appliance utensil showing our new design;
 FIG. 23 is a front elevation view of the enlarged cooking appliance utensil of FIG. 22;
 FIG. 24 is rear elevation view of the enlarged cooking appliance utensil of FIG. 22;
 FIG. 25 is a left side elevation view of the enlarged cooking appliance utensil of FIG. 22;
 FIG. 26 is a right side elevation view of the enlarged cooking appliance utensil of FIG. 22;
 FIG. 27 is a top plan view of the enlarged cooking appliance utensil of FIG. 22;
 FIG. 28 is a bottom view of the enlarged cooking appliance utensil of FIG. 22;
 FIG. 29 is a front perspective view of an enlarged cooking appliance component showing our new design;
 FIG. 30 is a front elevation view of the enlarged cooking appliance component of FIG. 29;
 FIG. 31 is rear elevation view of the enlarged cooking appliance component of FIG. 29;
 FIG. 32 is a left side elevation view of the enlarged cooking appliance component of FIG. 29;
 FIG. 33 is a right side elevation view of the enlarged cooking appliance component of FIG. 29;
 FIG. 34 is a top plan view of the enlarged cooking appliance component of FIG. 29; and,
 FIG. 35 is a bottom view of the enlarged cooking appliance component of FIG. 29.

1 Claim, 35 Drawing Sheets

(58) **Field of Classification Search**

CPC A21B 2/00; A21B 3/04; A47J 27/04; A47J 37/00; A47J 37/06; A47J 37/0611; A47J 37/08; A47J 37/0807; A47J 37/0814;

A47J 37/0835; A47J 37/0842; A47J 37/085; A47J 37/0864; A47J 37/0878; A47J 37/0885; A47J 37/0892; F24C 7/00; F24C 7/002; F24C 7/046; F24C 7/067; F24C 15/02; F24C 15/04; F24C 15/10; F24C 15/102

See application file for complete search history.

(56)

References Cited

U.S. PATENT DOCUMENTS

D318,775	S	*	8/1991	Bonnet	D7/350.3
D340,832	S	*	11/1993	Macchi	D7/300
D341,747	S	*	11/1993	Connell	D7/339
D343,090	S	*	1/1994	Connell	D7/339
D384,544	S	*	10/1997	Lieblein	D7/350.4
D533,391	S	*	12/2006	Foray	D7/351
D560,960	S	*	2/2008	Hillmann	D7/350.1
D567,571	S	*	4/2008	Hillmann	D7/347
D568,089	S	*	5/2008	Hillmann	D7/347
D601,847	S	*	10/2009	Gammack	D7/306
D609,958	S	*	2/2010	Chung	D7/330
D611,753	S	*	3/2010	Gammack	D7/306
D615,798	S	*	5/2010	McLemore	D7/332
D657,184	S		4/2012	Segato		
D657,185	S		4/2012	Segato		
D657,989	S		4/2012	Segato		
D669,727	S	*	10/2012	Pagano	D7/307
D679,934	S	*	4/2013	Majdecki, Jr.	D7/326
D702,482	S	*	4/2014	Davis	D7/350.1
D739,675	S	*	9/2015	Hartkorn	D7/328
D764,852	S	*	8/2016	Schwamkrug	D7/339
D773,230	S	*	12/2016	Franzolin	D7/339
D773,231	S	*	12/2016	Franzolin	D7/339
D812,411	S	*	3/2018	Schwamkrug	D7/350.1
D858,173	S	*	9/2019	Hecker	D7/350.1
2003/0178411	A1	*	9/2003	Manganiello	A47J 27/04 219/496
2006/0081592	A1	*	4/2006	Williams	A21B 3/04 219/401

* cited by examiner

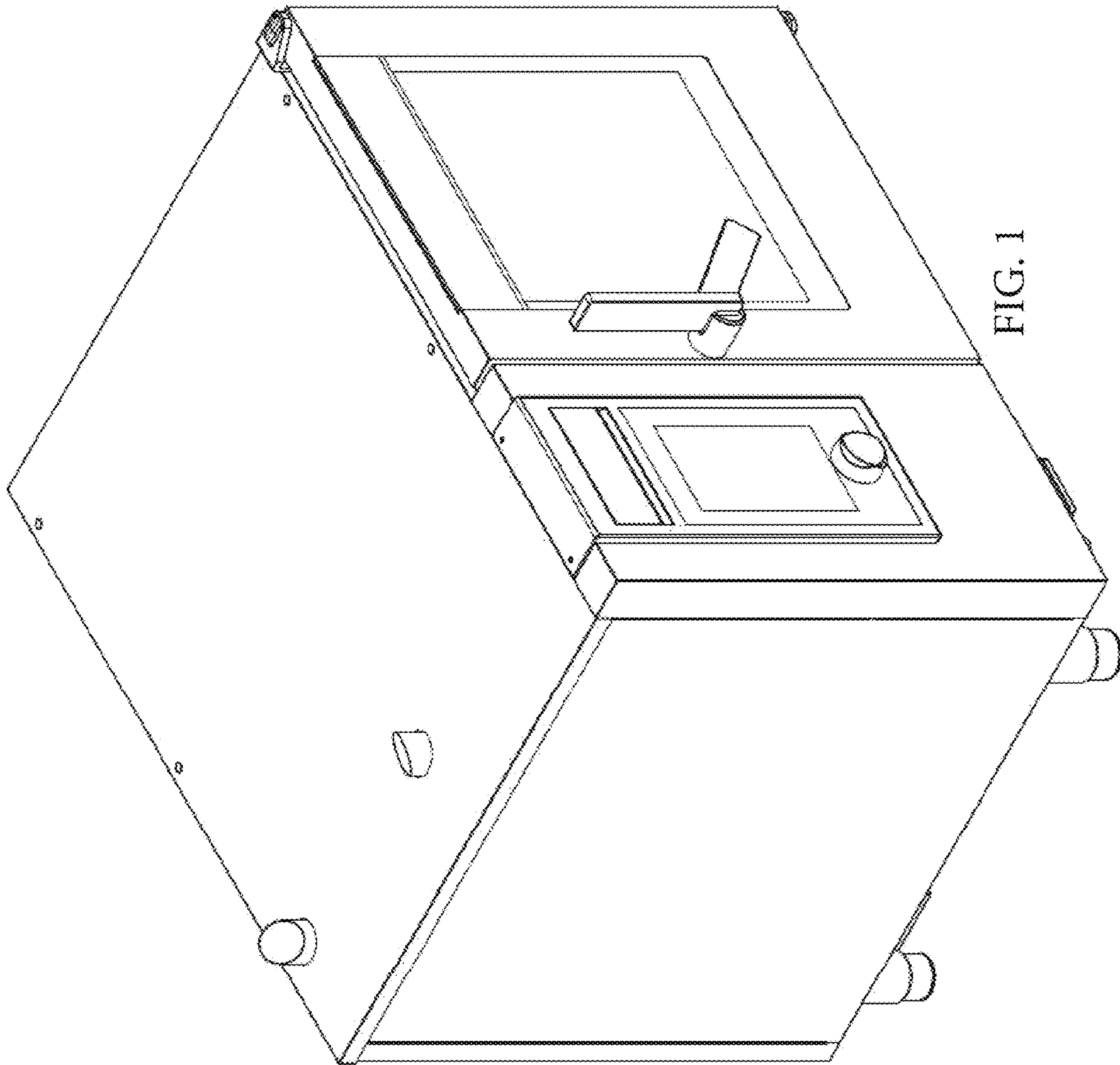


FIG. 1

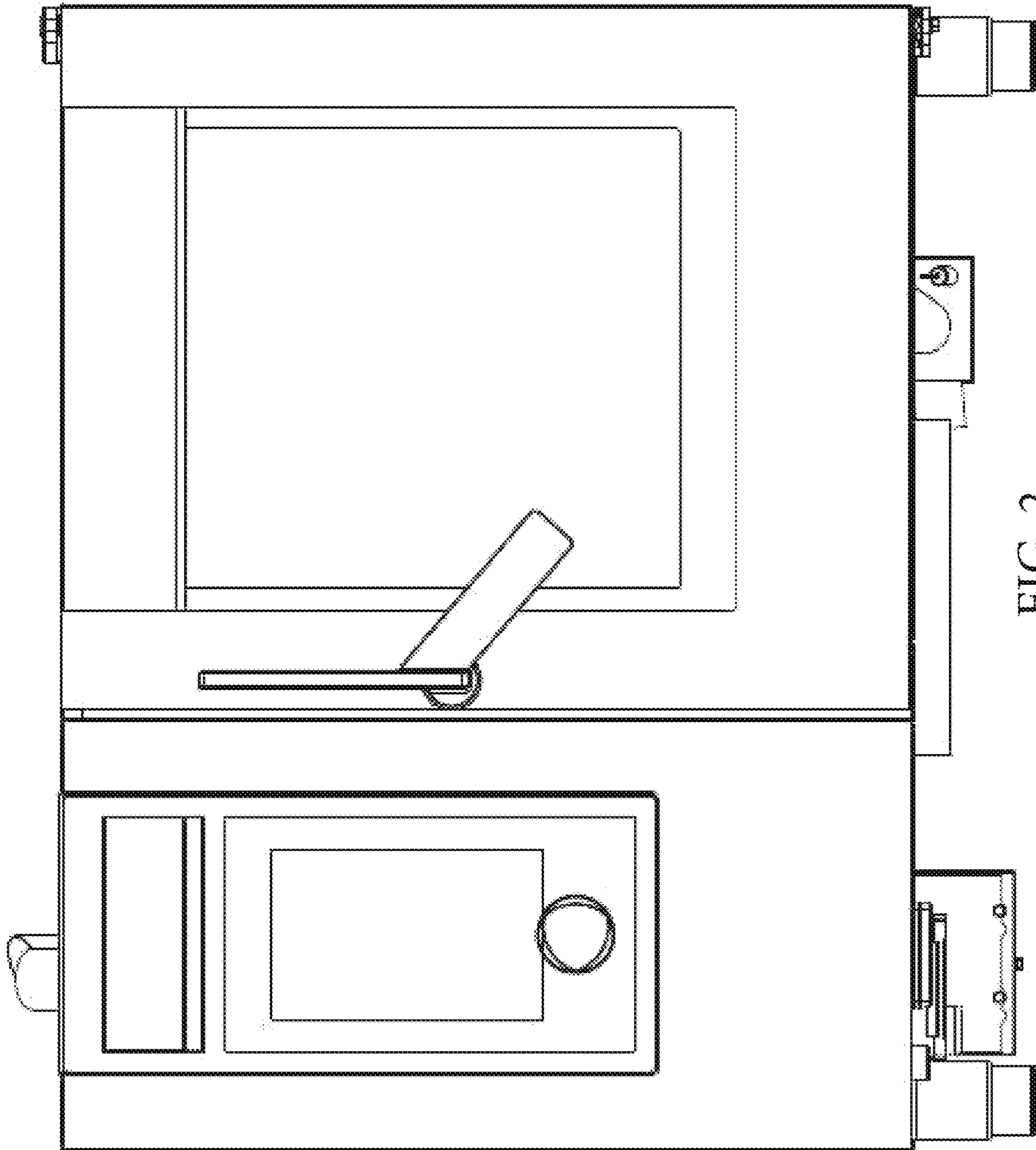


FIG. 2

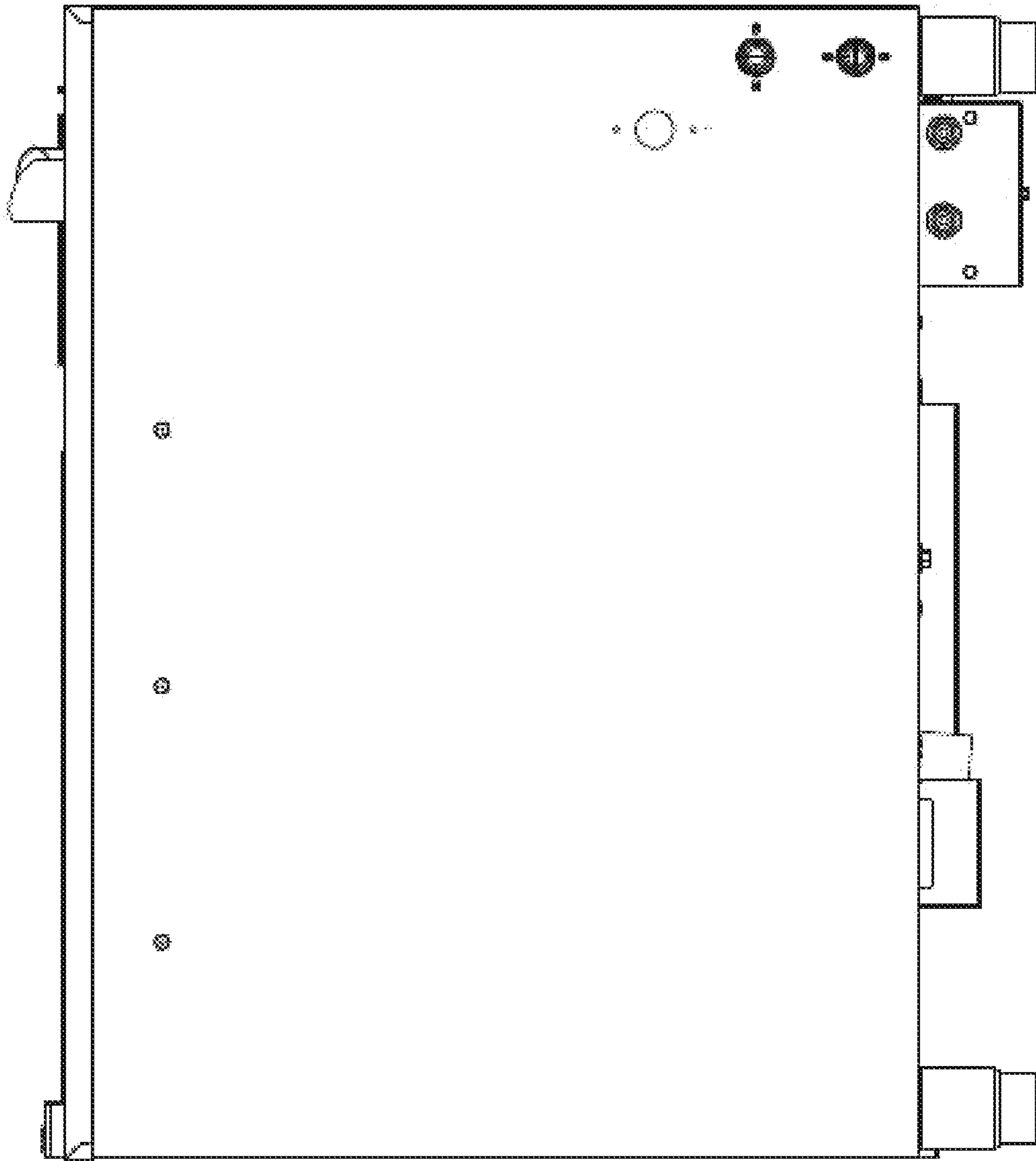


FIG. 3

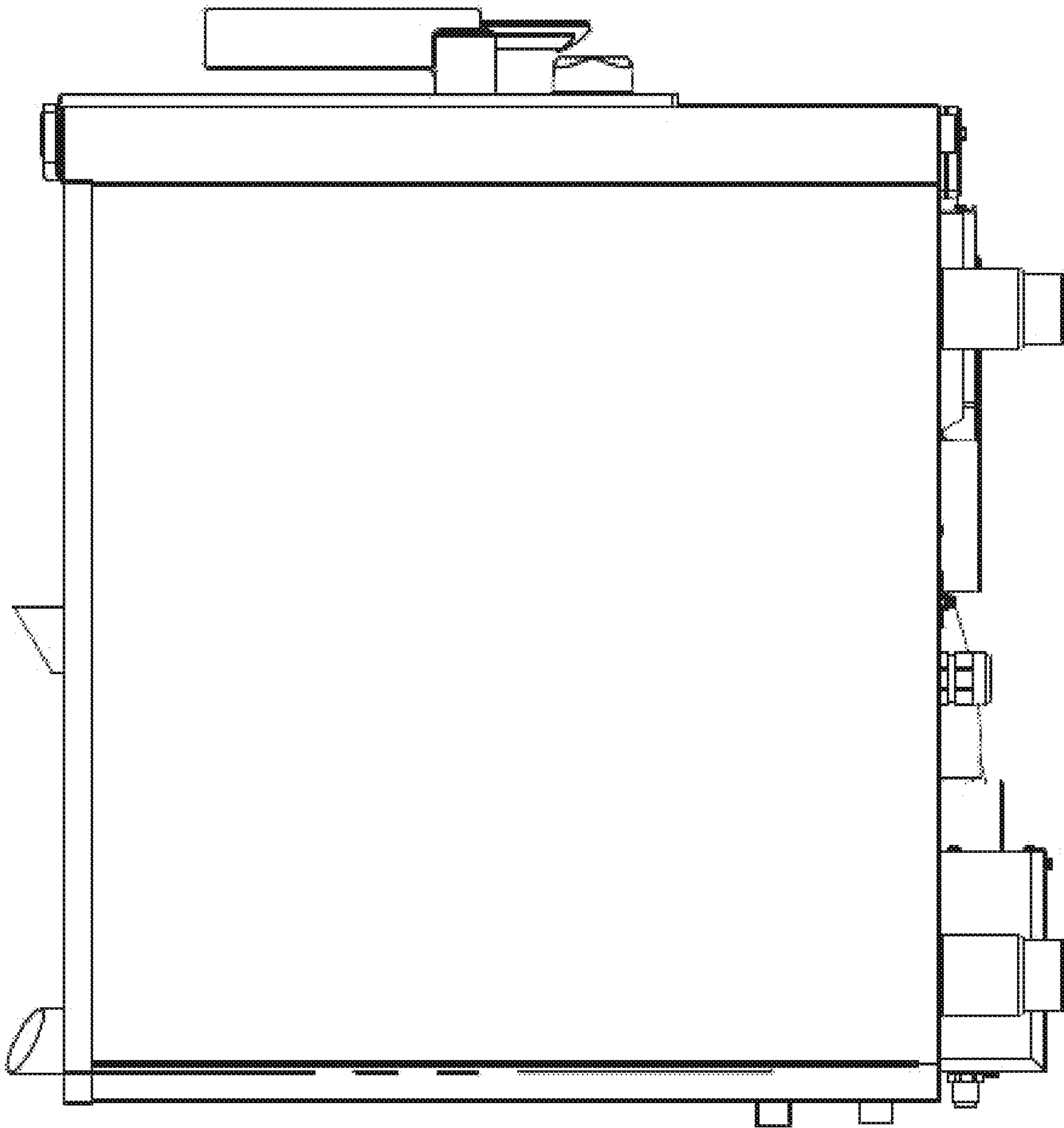


FIG. 4

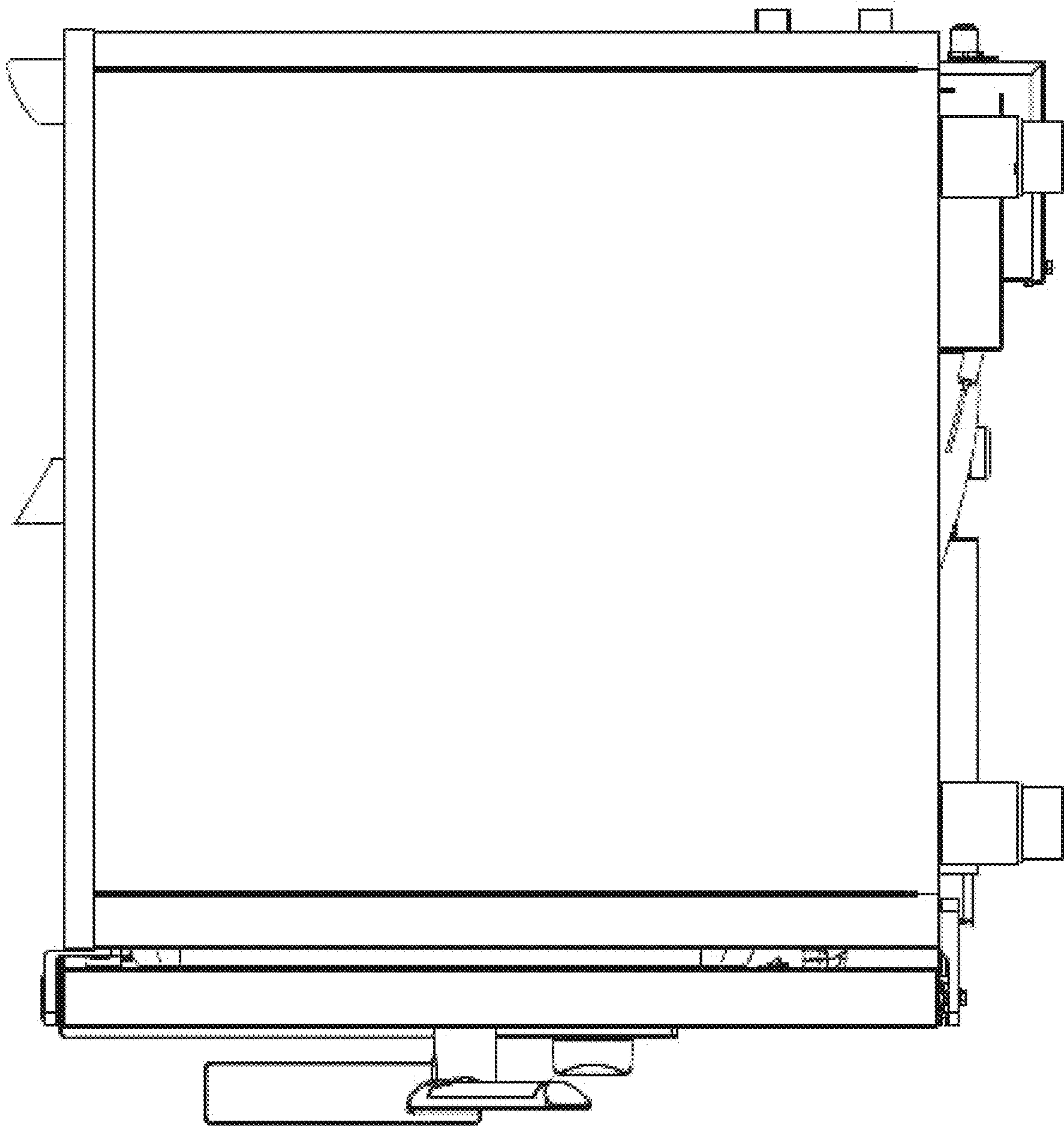


FIG. 5

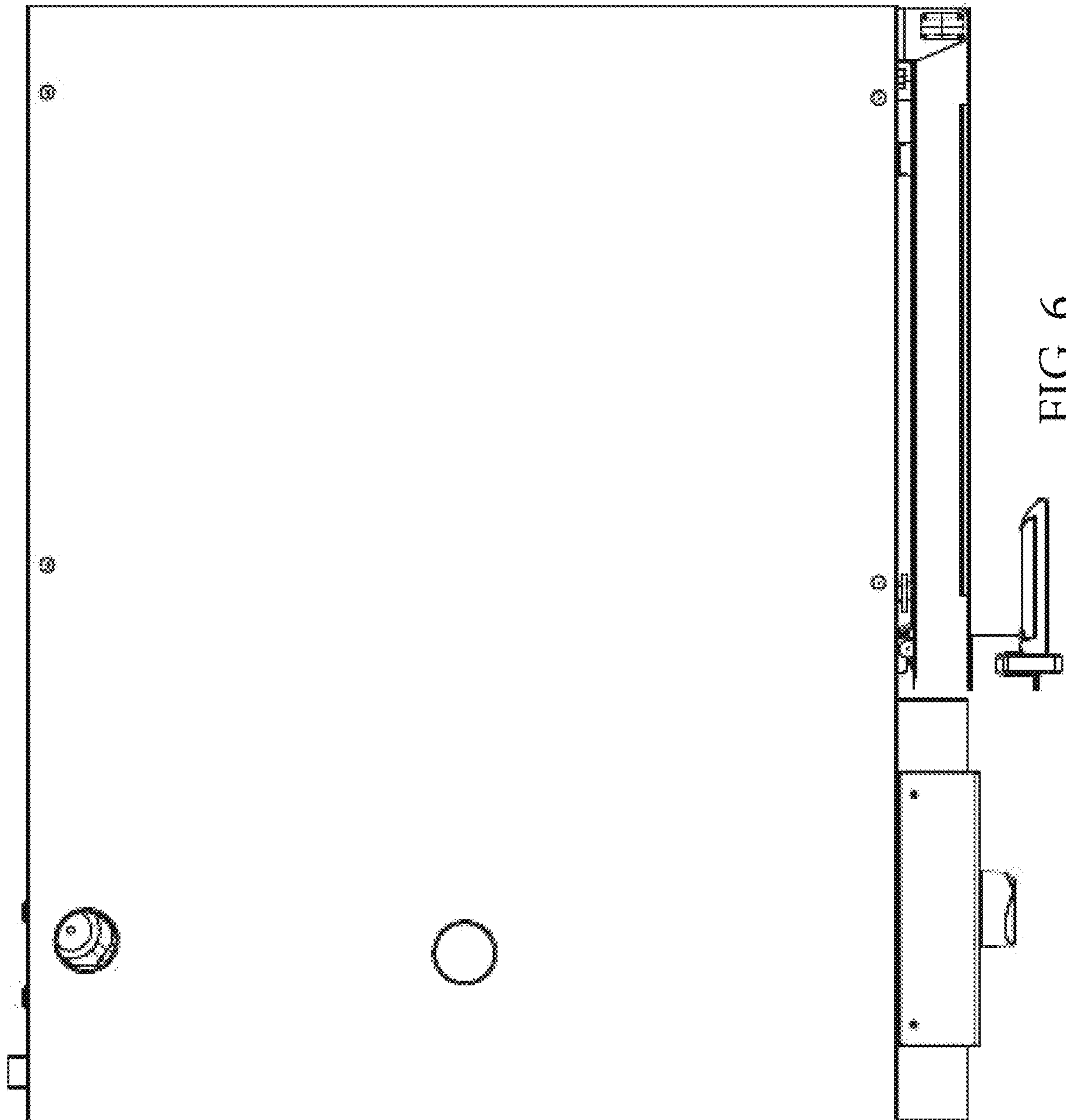


FIG. 6

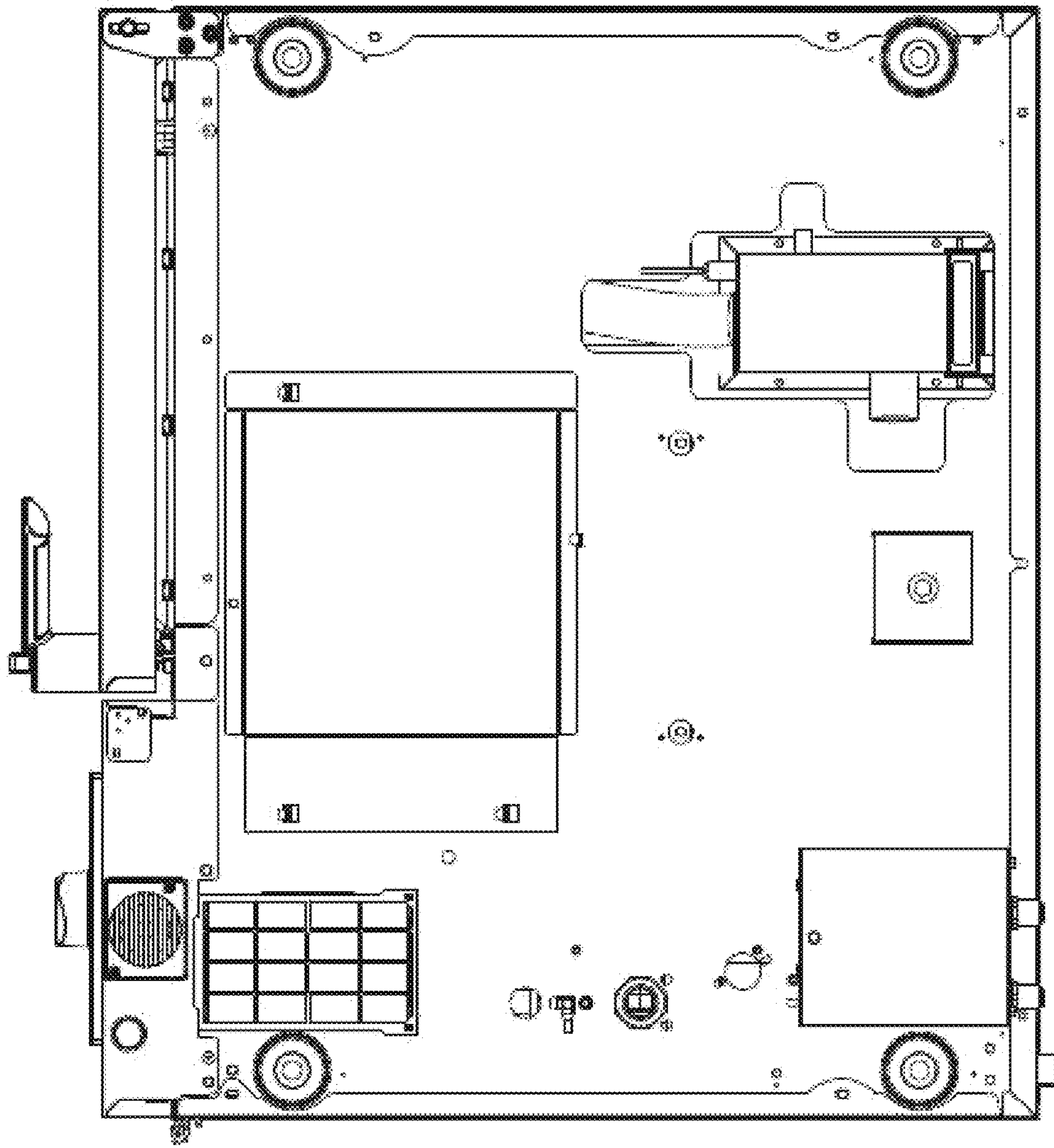


FIG. 7

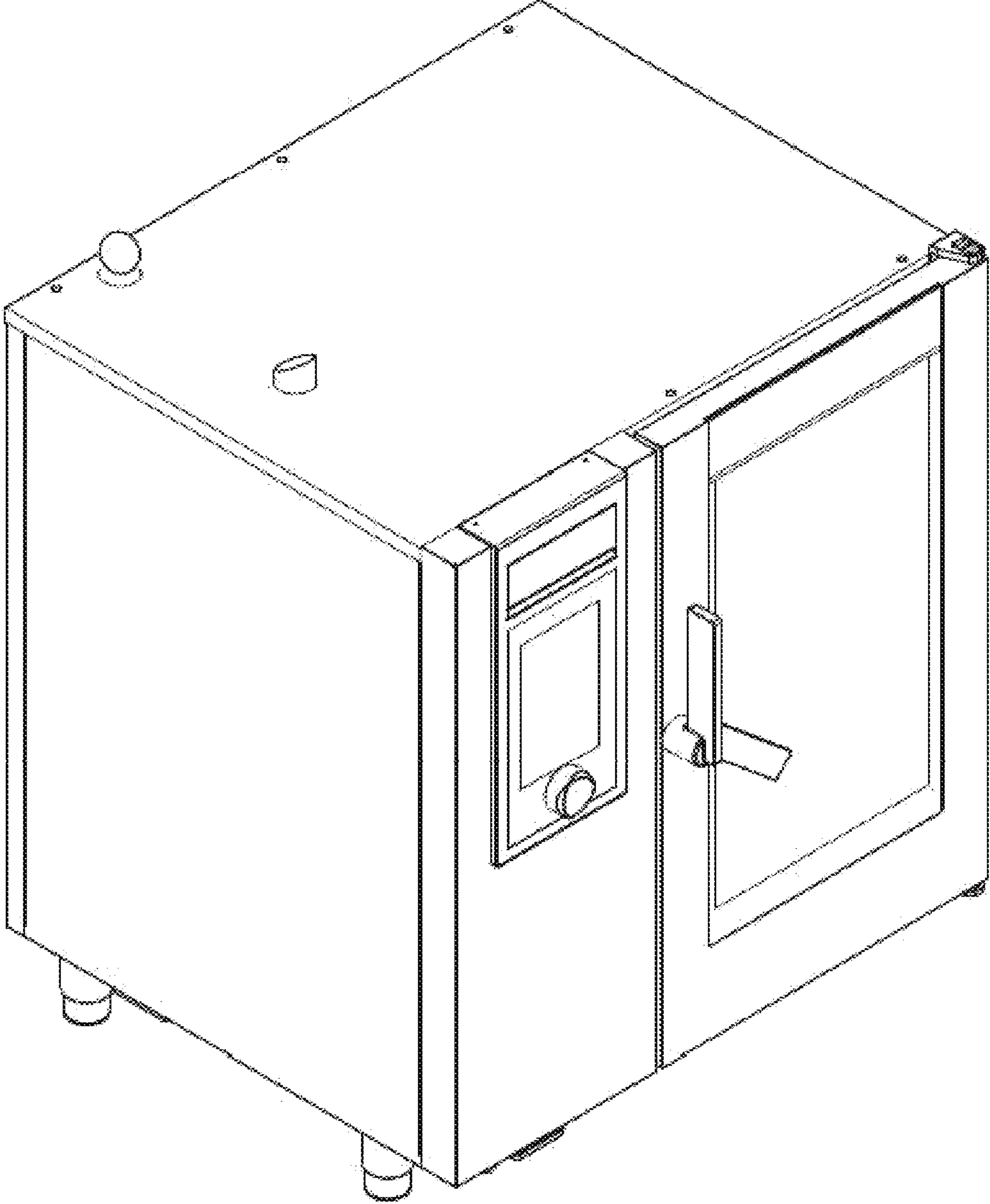


FIG. 8

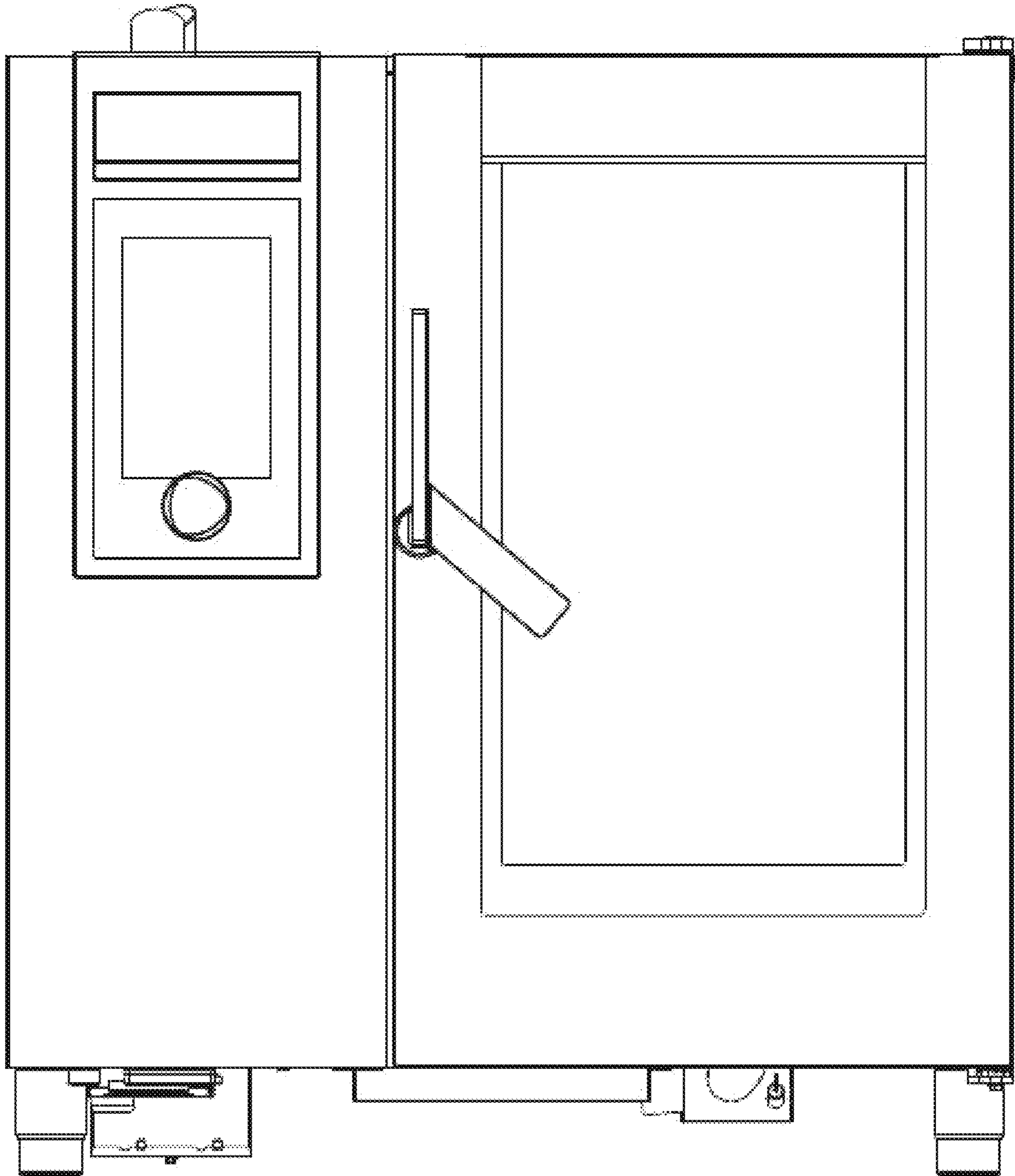


FIG. 9

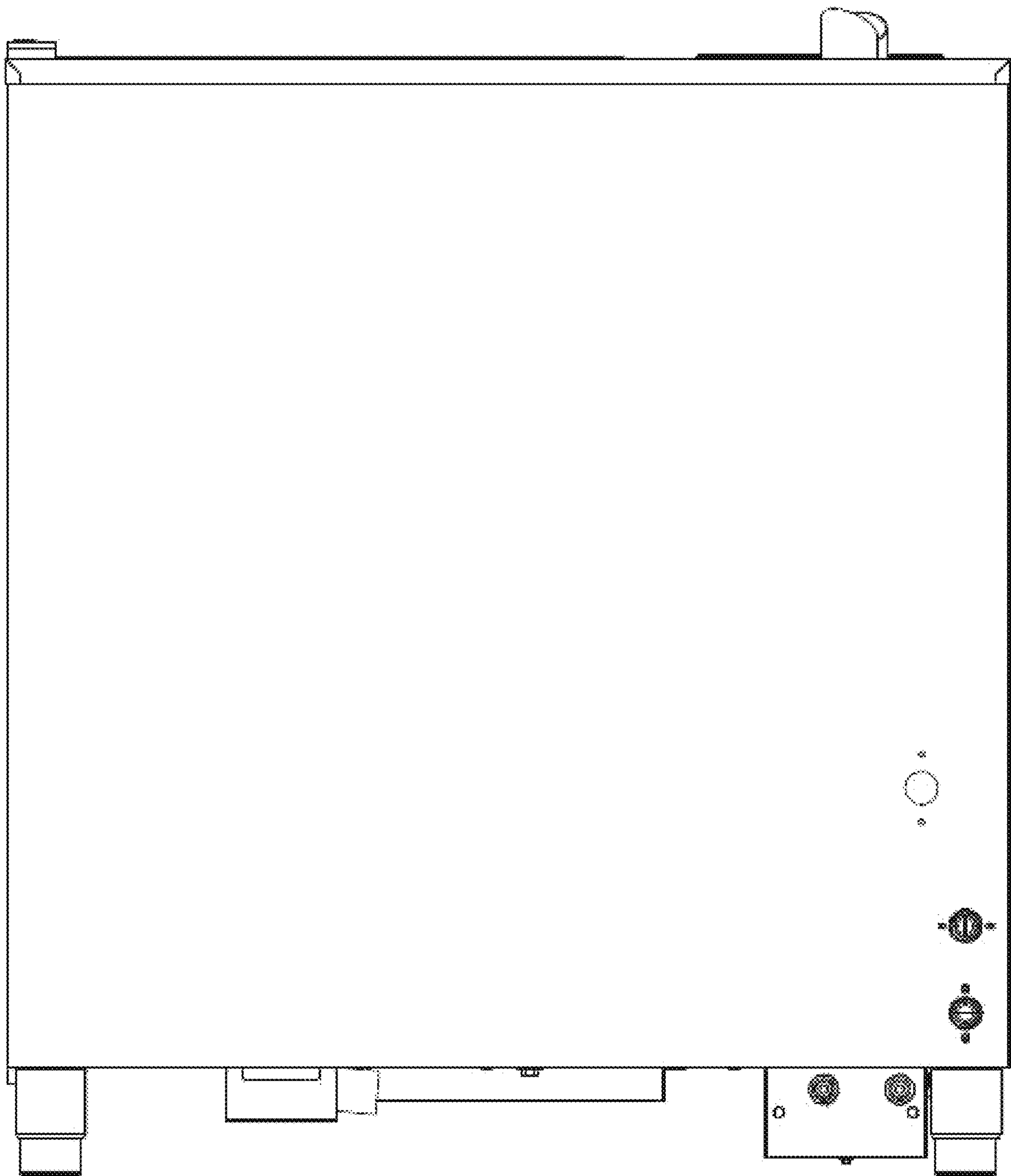


FIG. 10

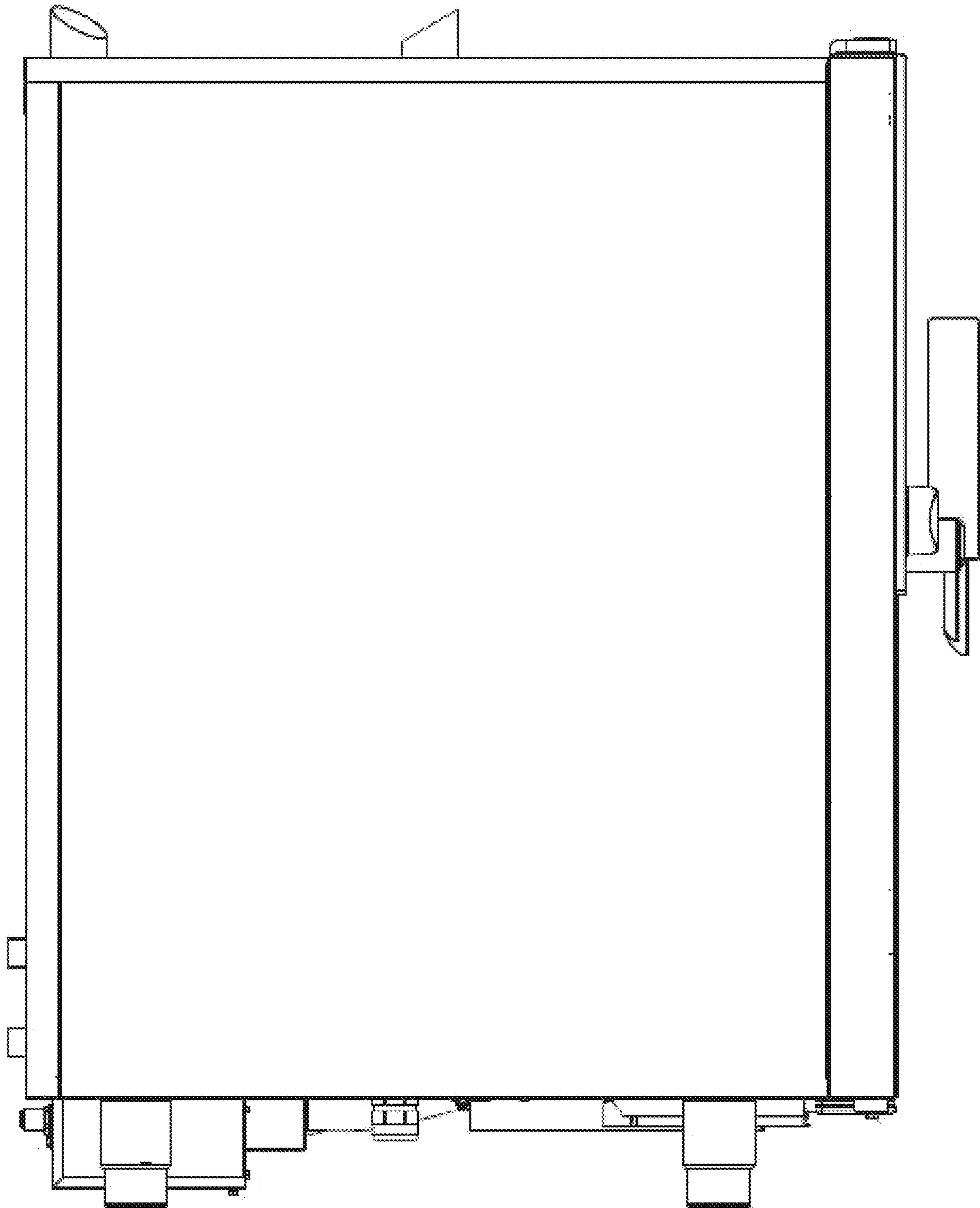


FIG. 11

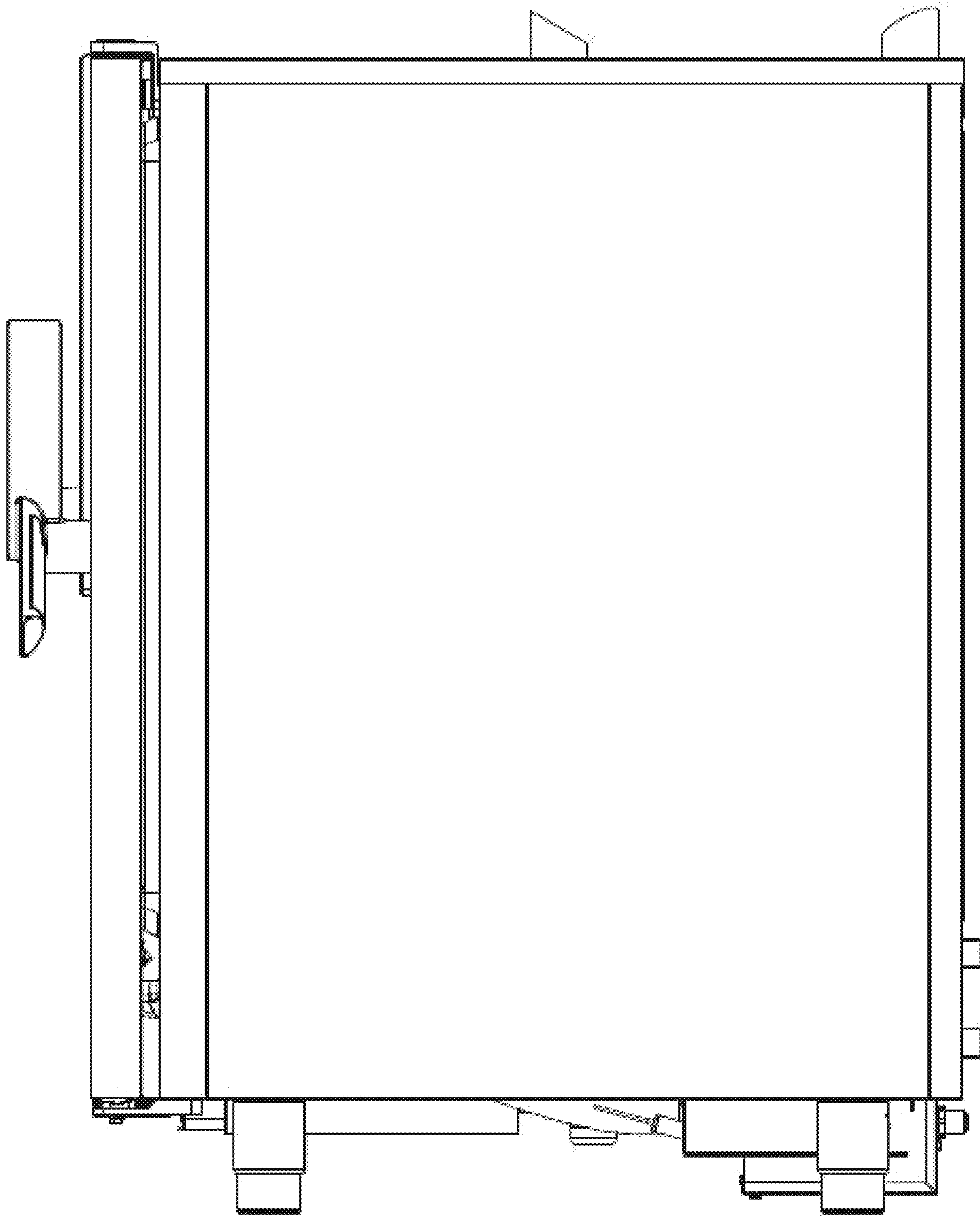


FIG. 12

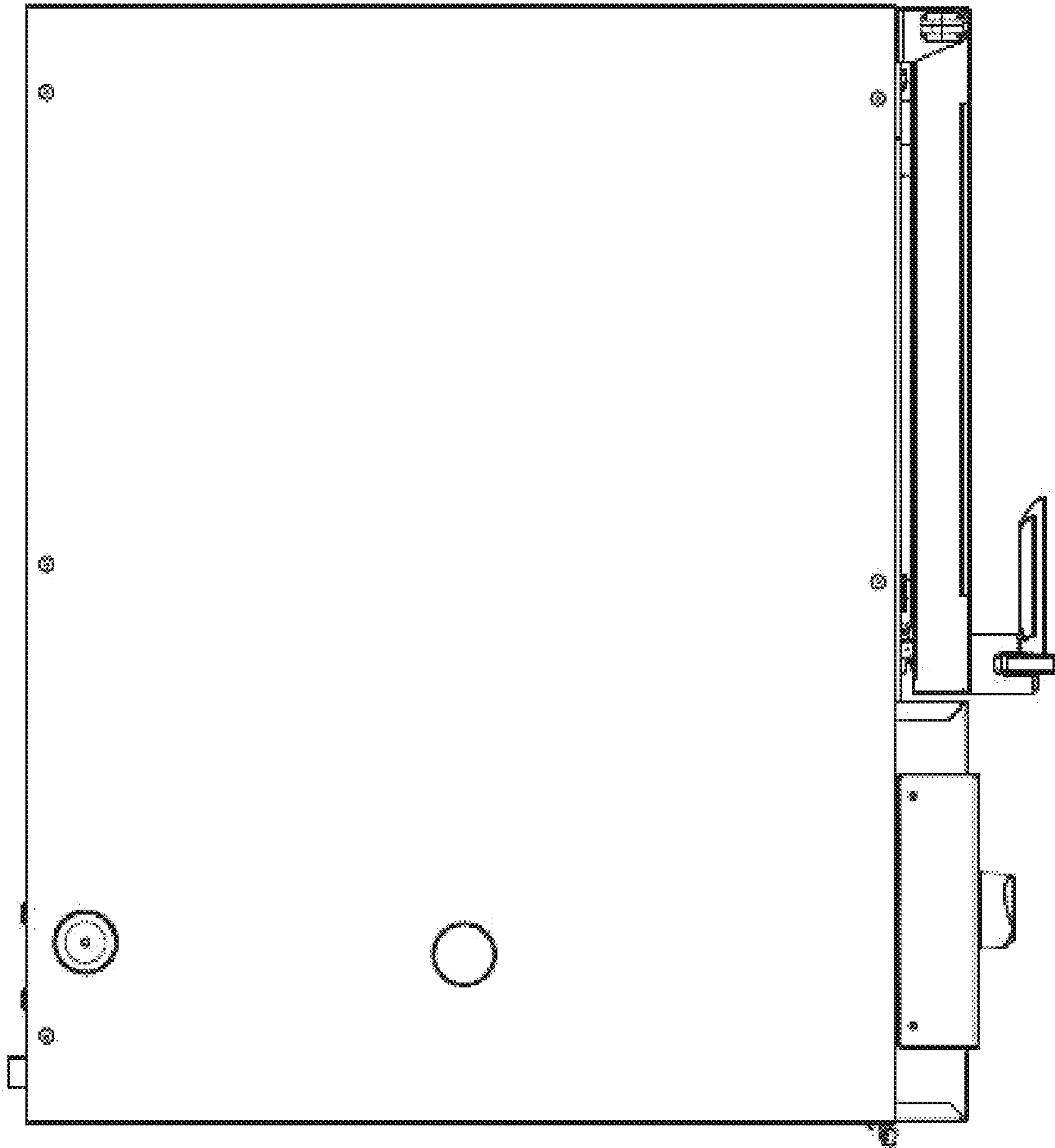


FIG. 13

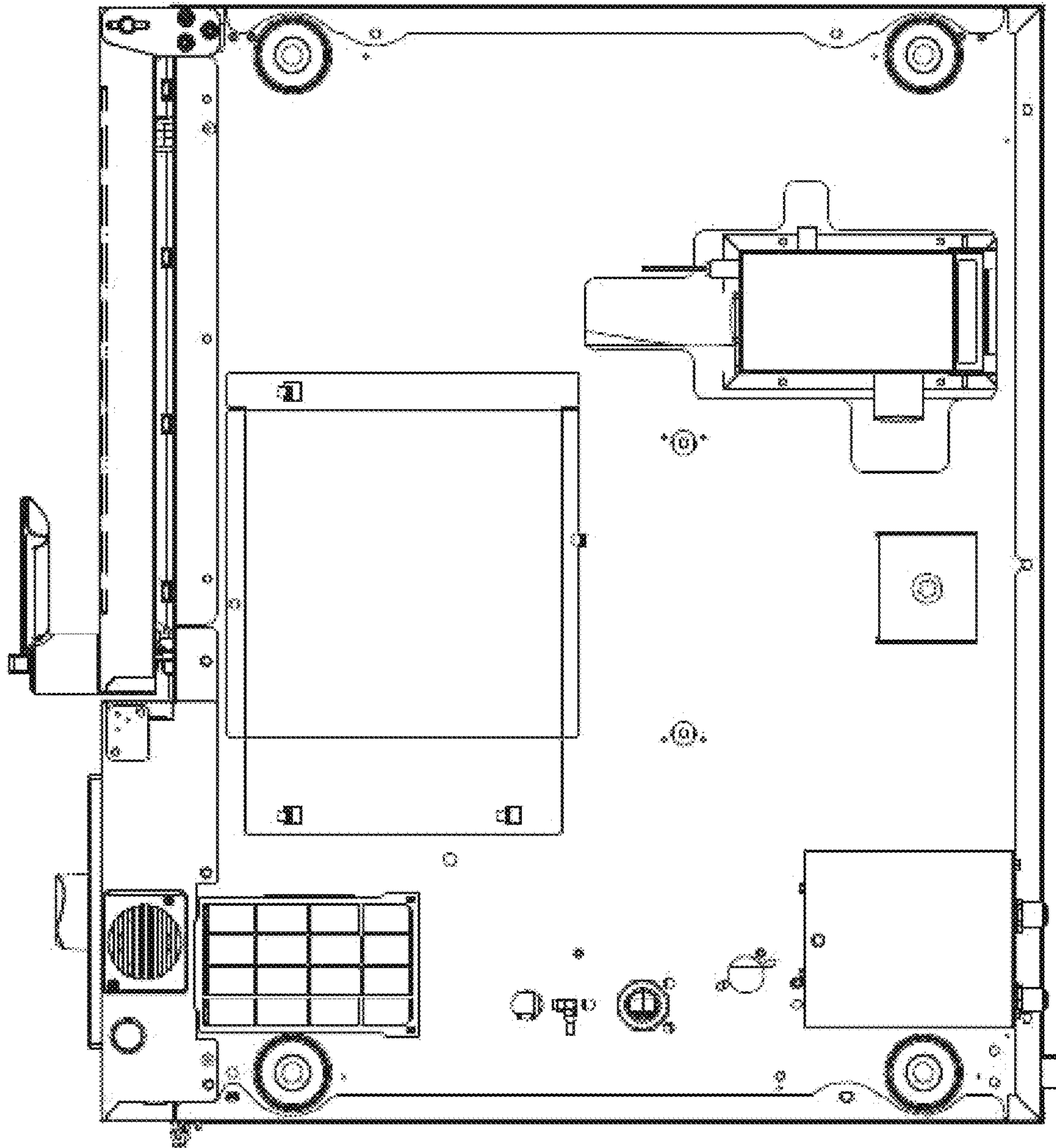


FIG. 14

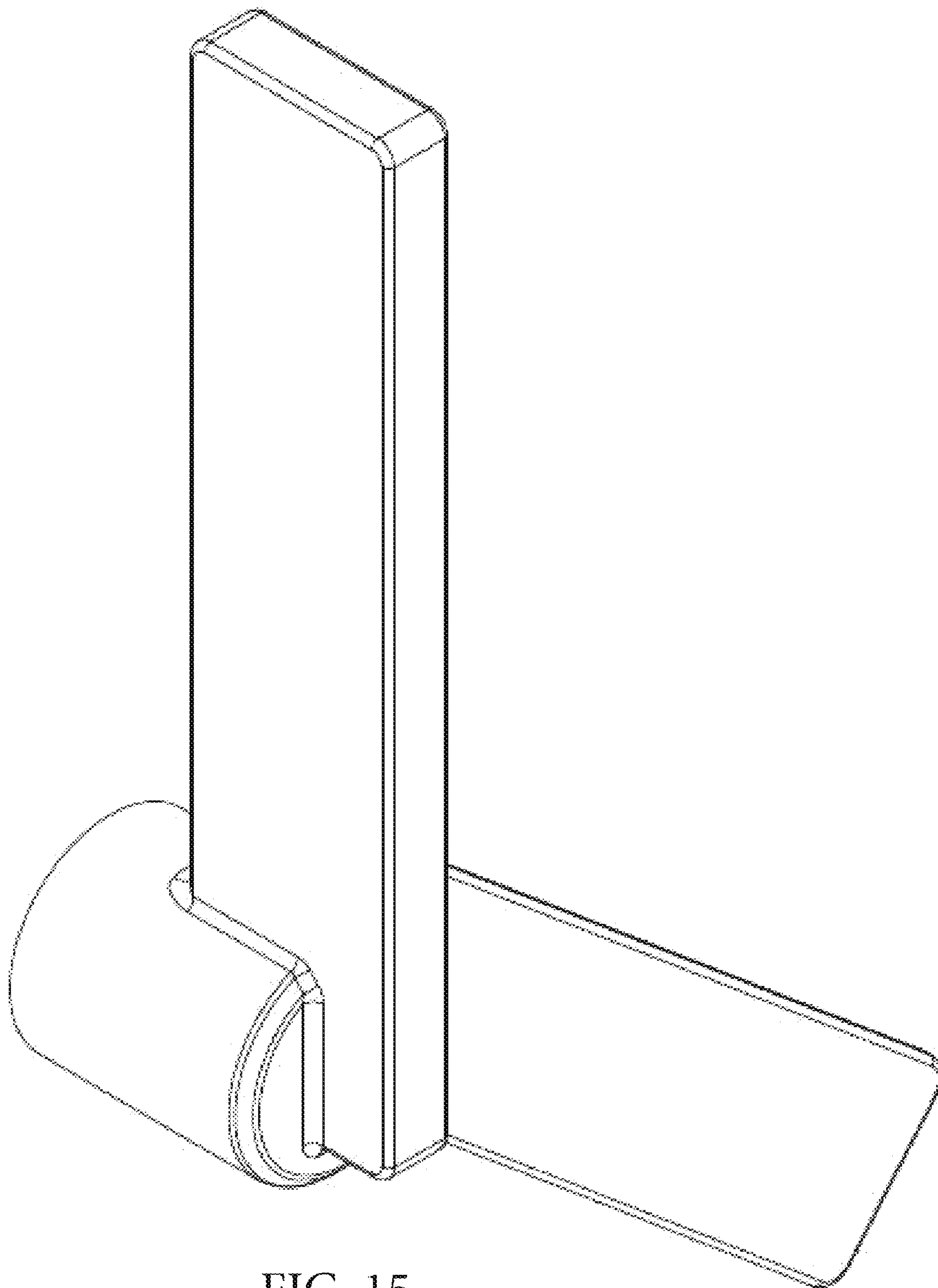


FIG. 15

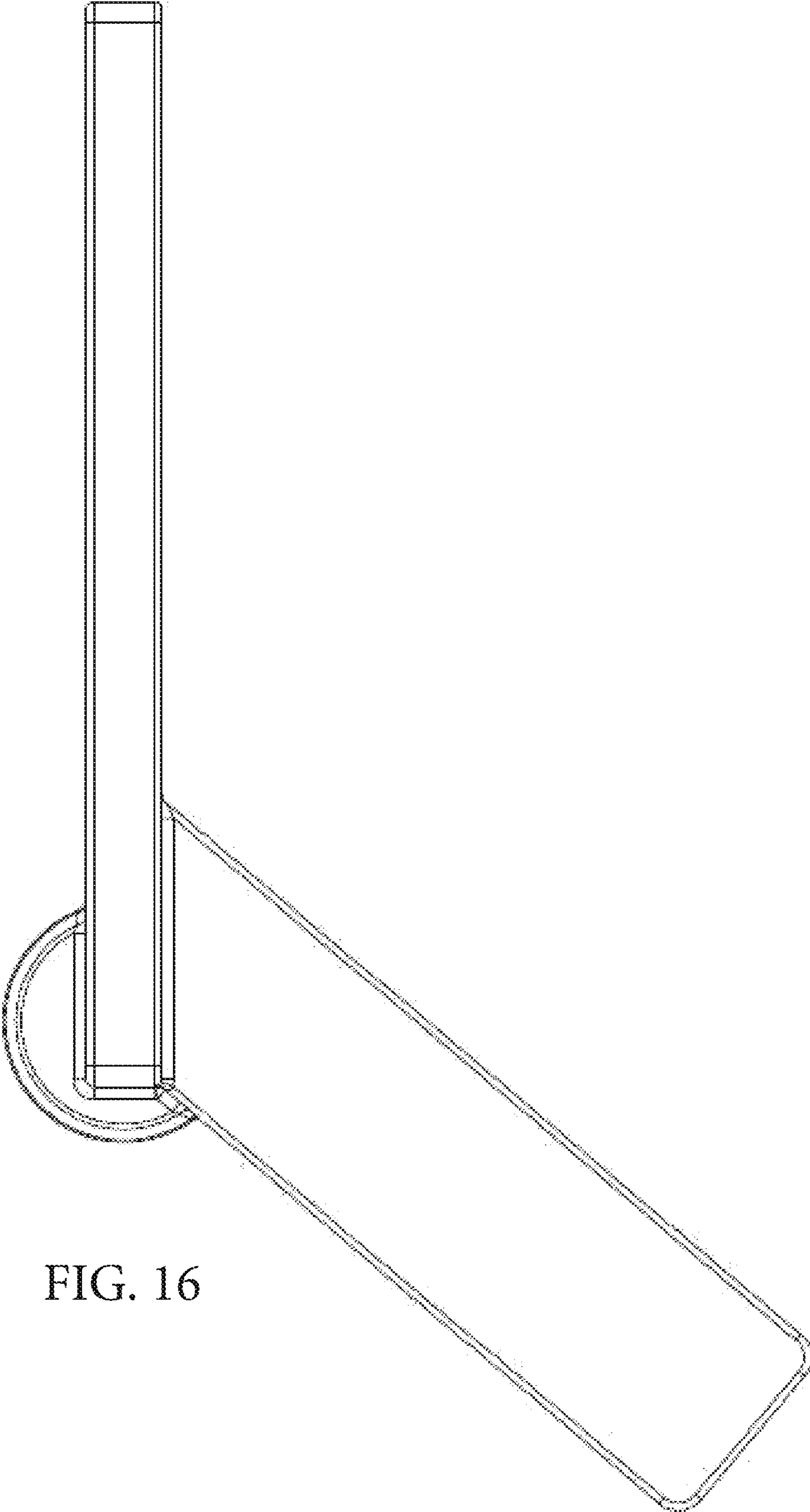


FIG. 16

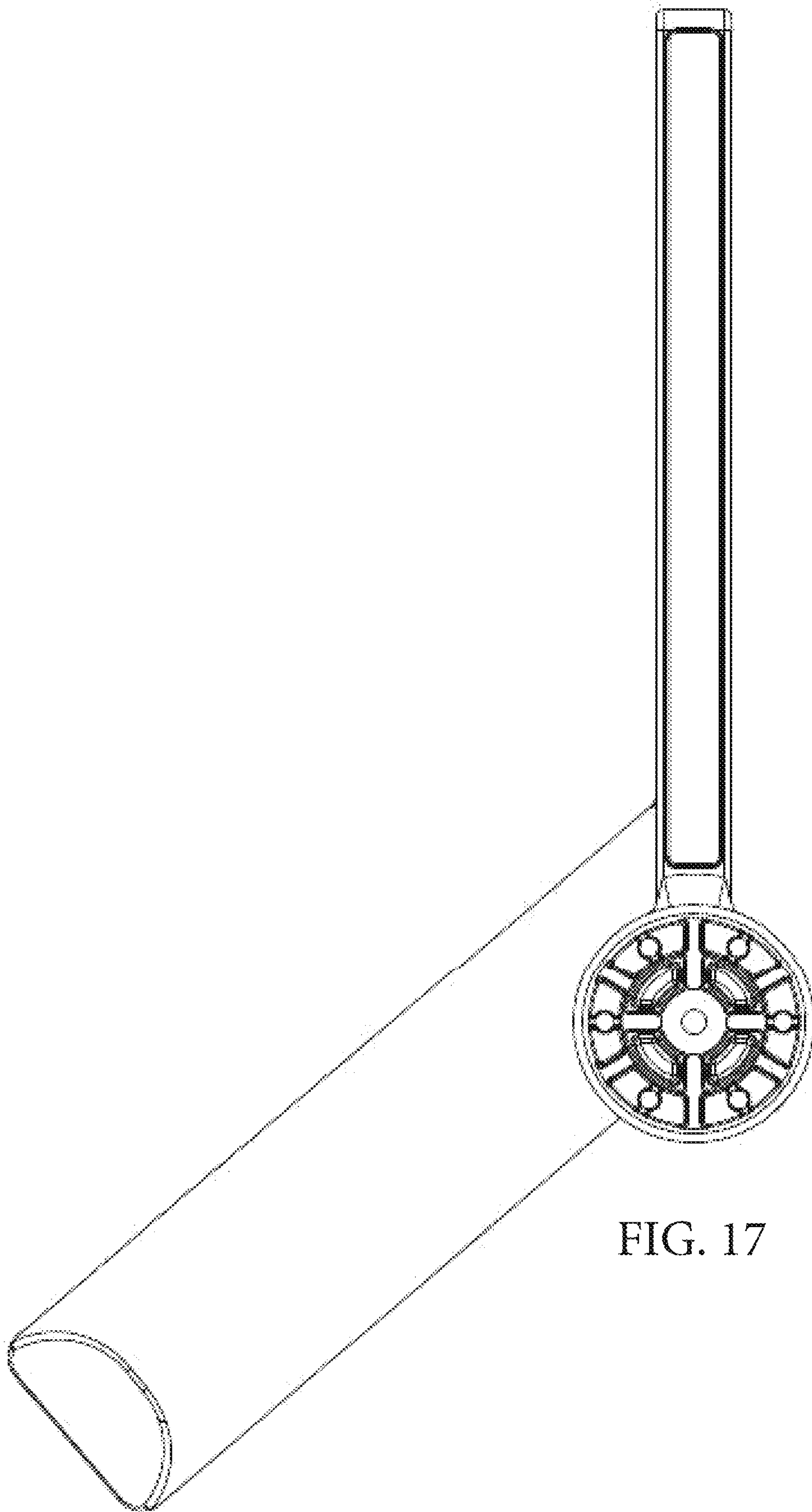


FIG. 17

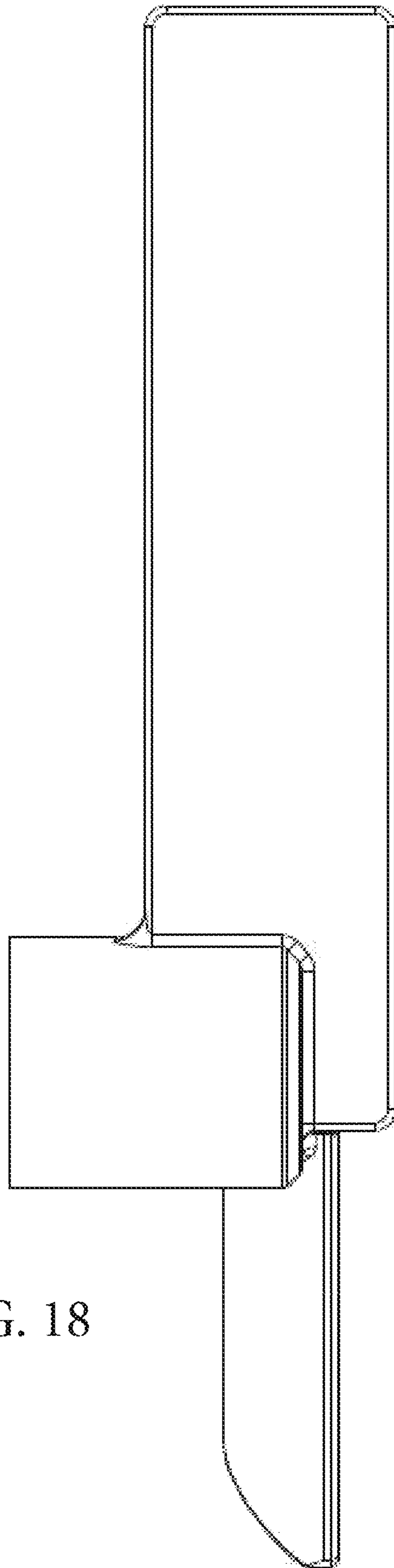


FIG. 18

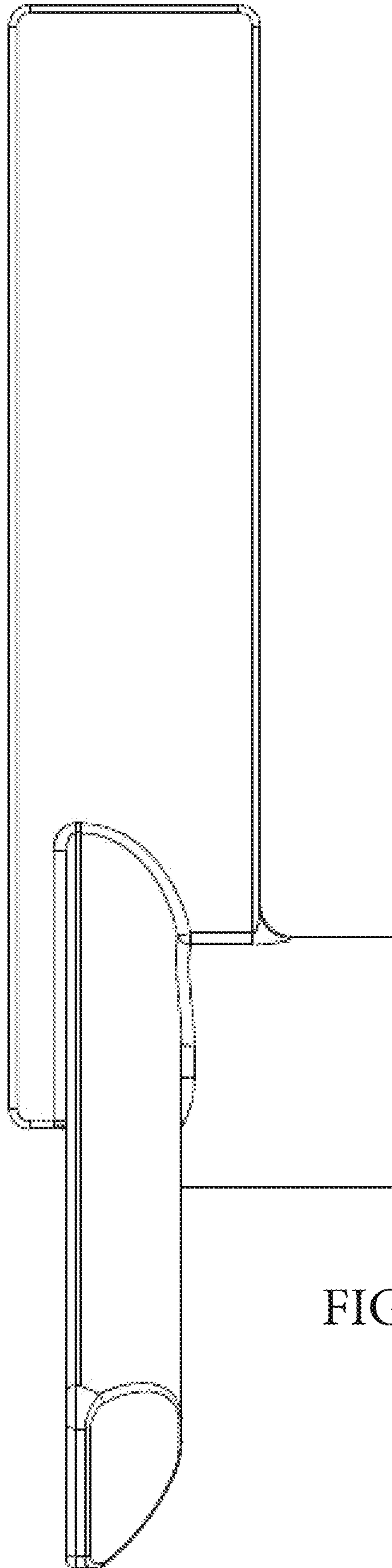


FIG. 19

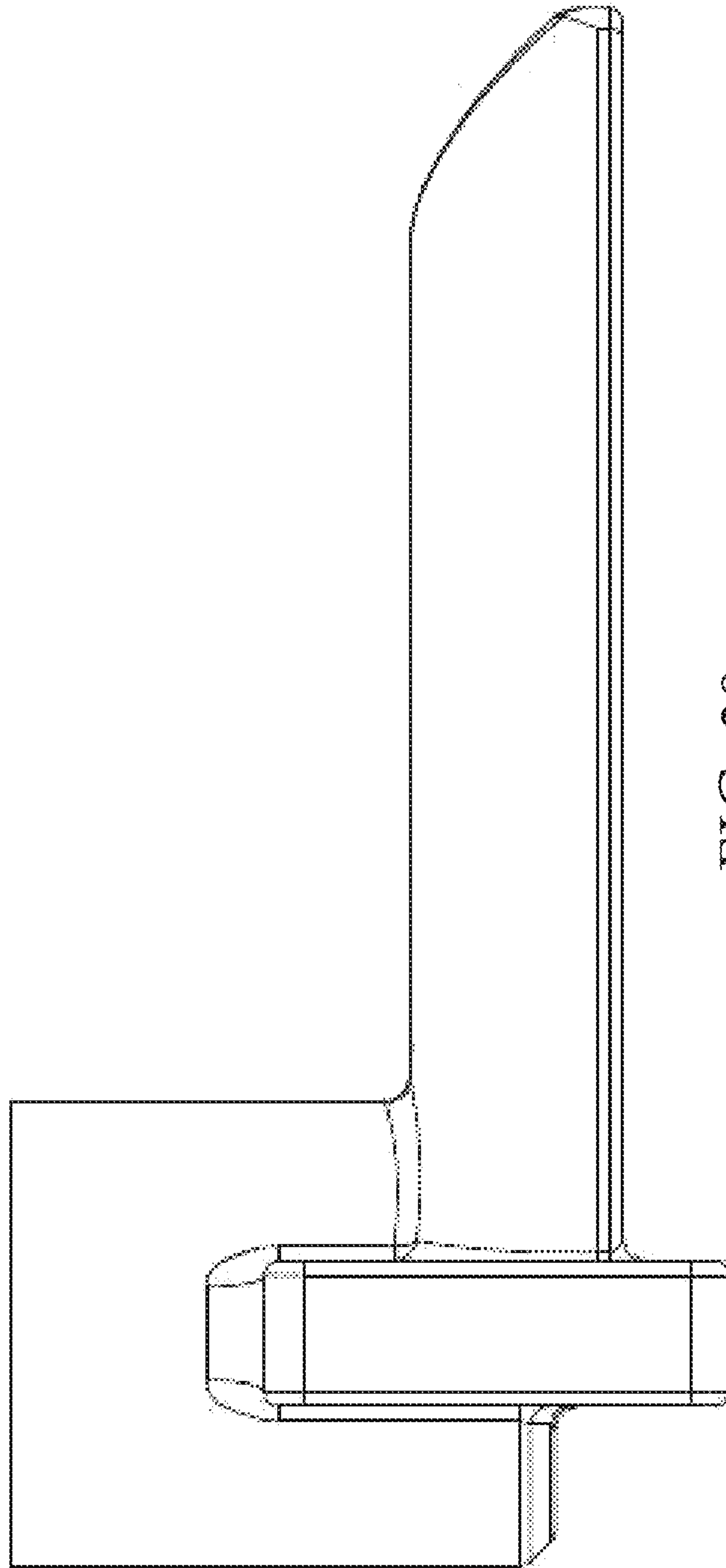


FIG. 20

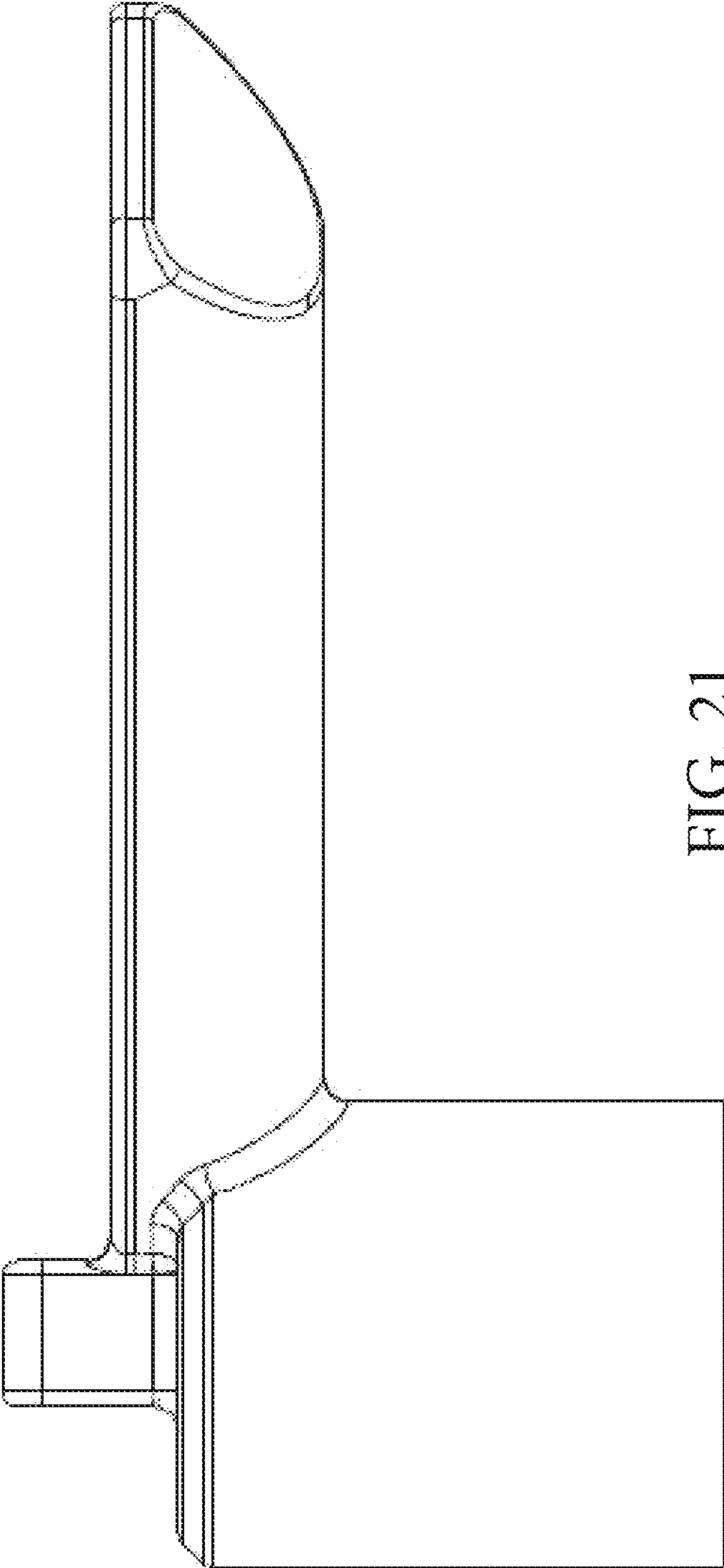


FIG. 21

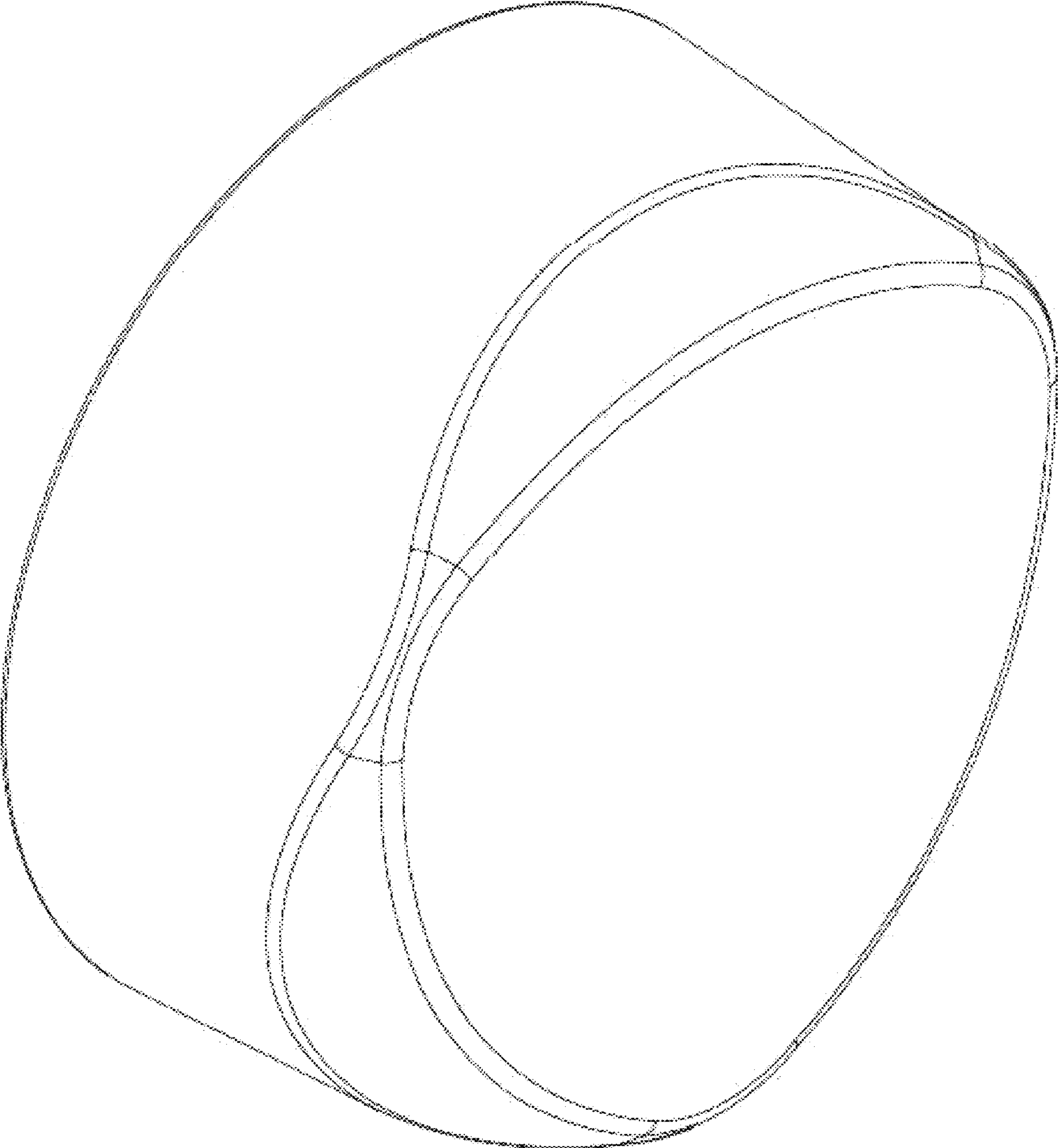


FIG. 22

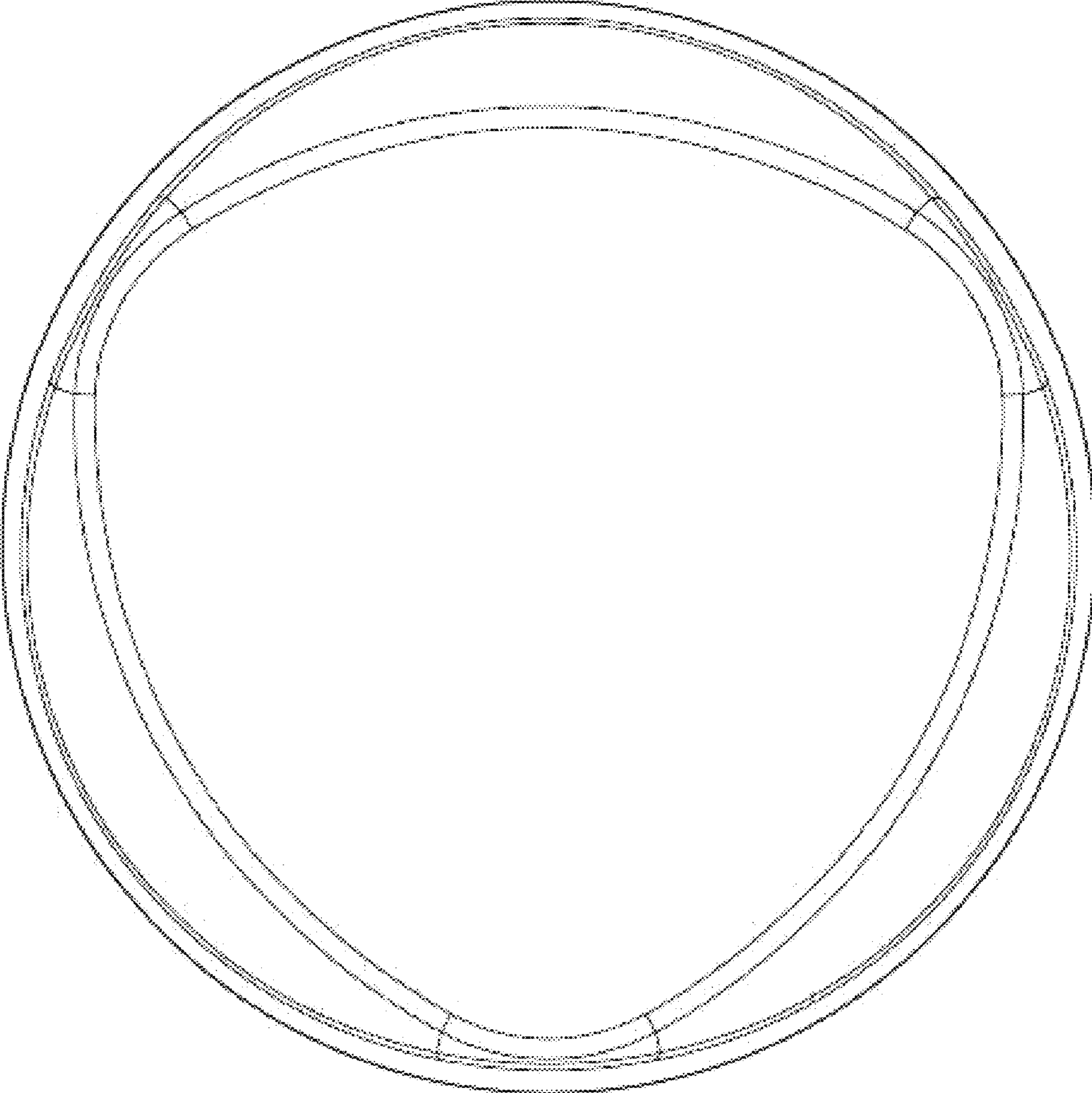


FIG. 23

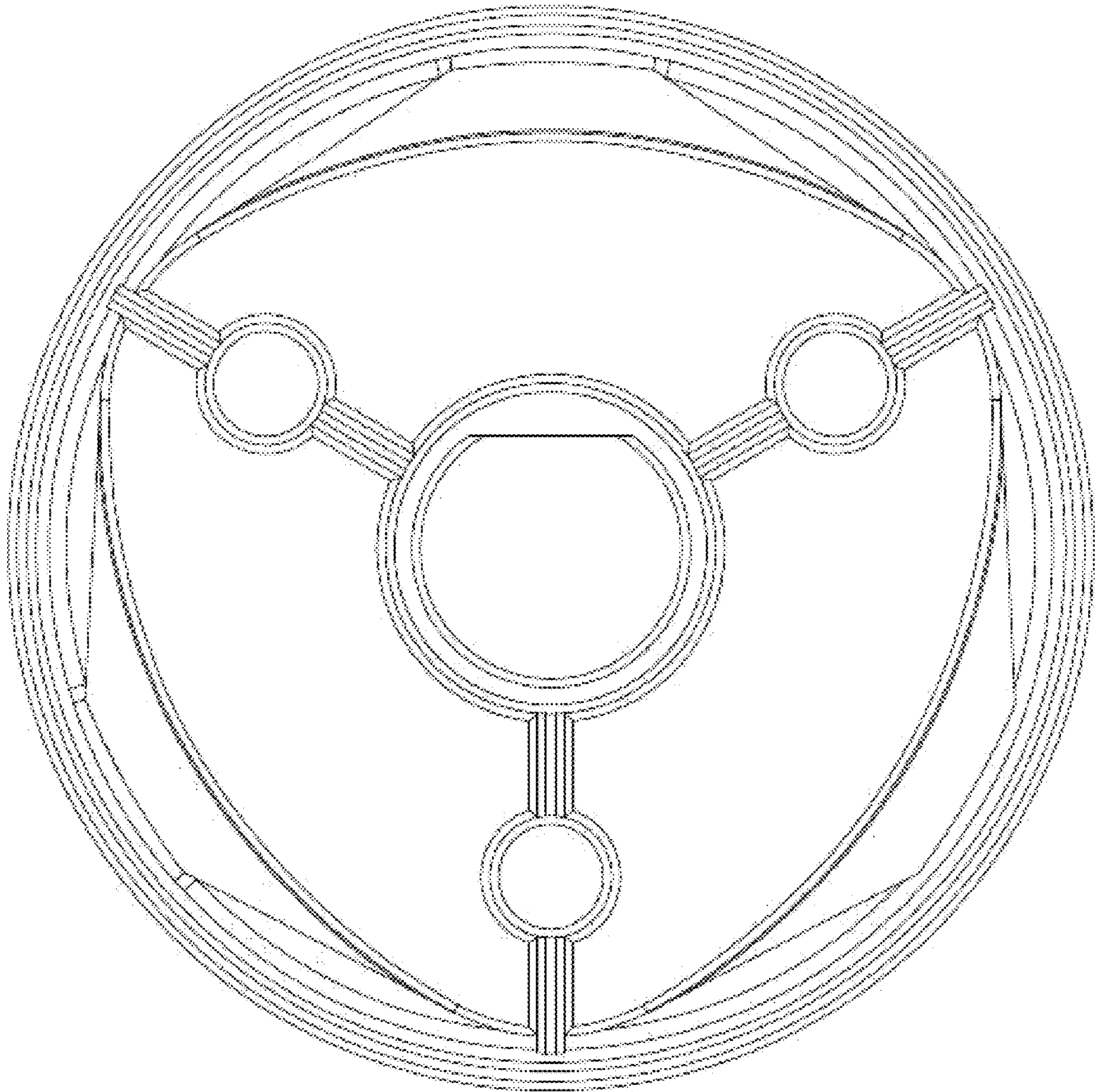


FIG. 24

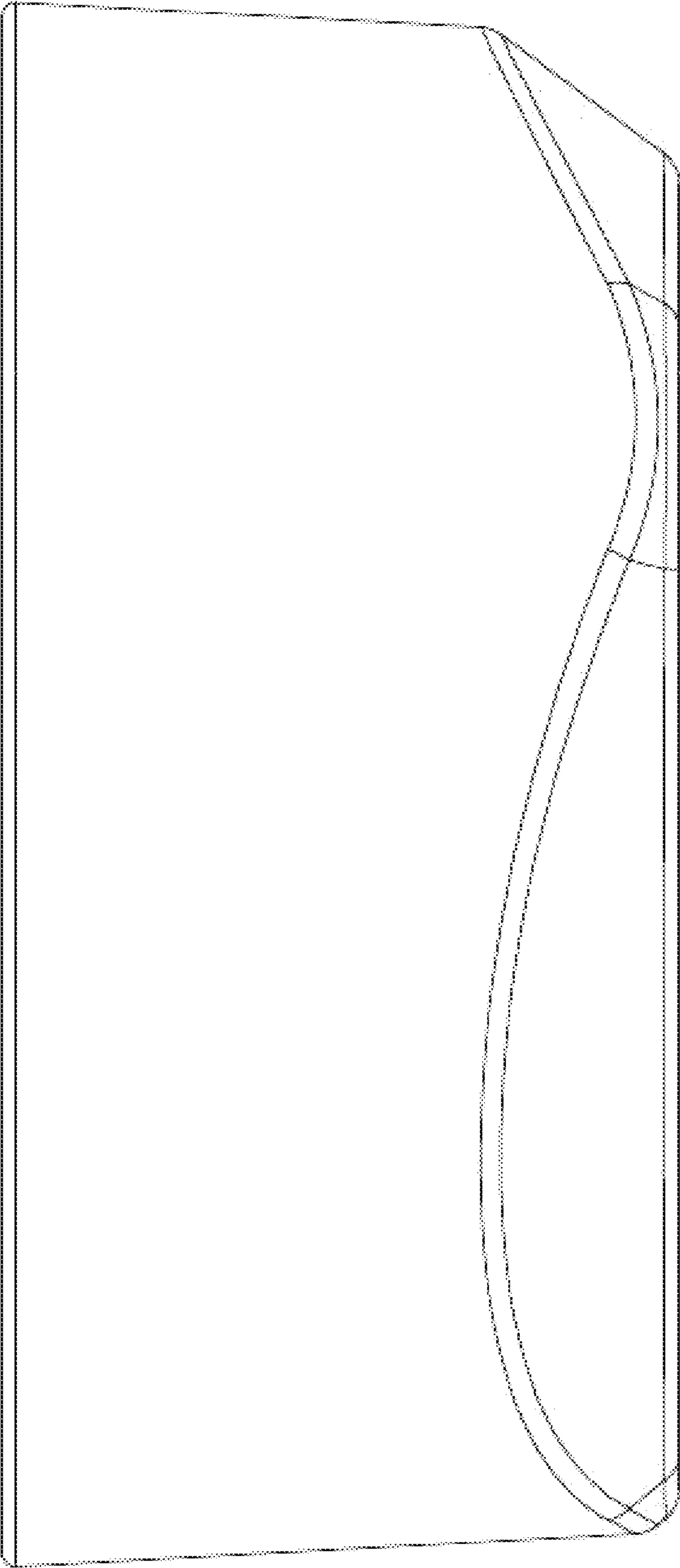


FIG. 25

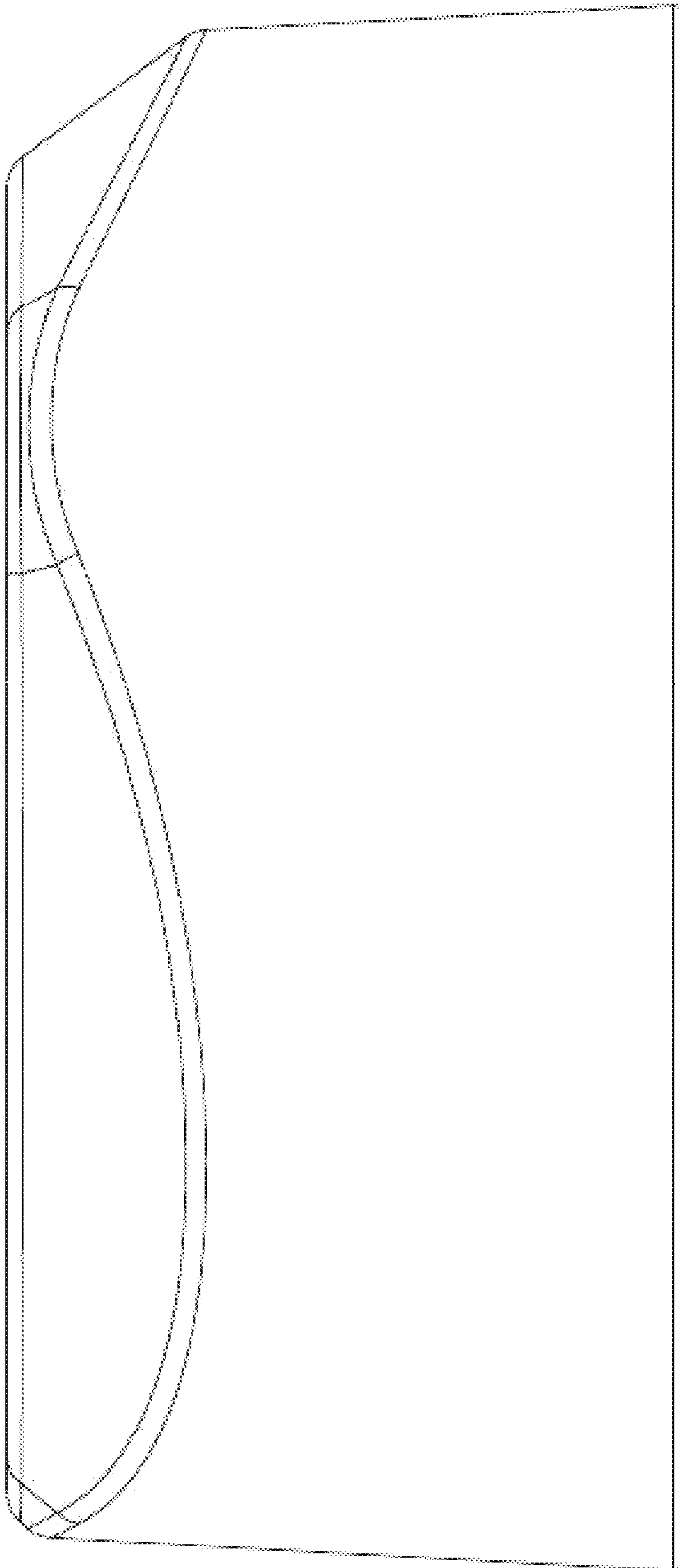


FIG. 26

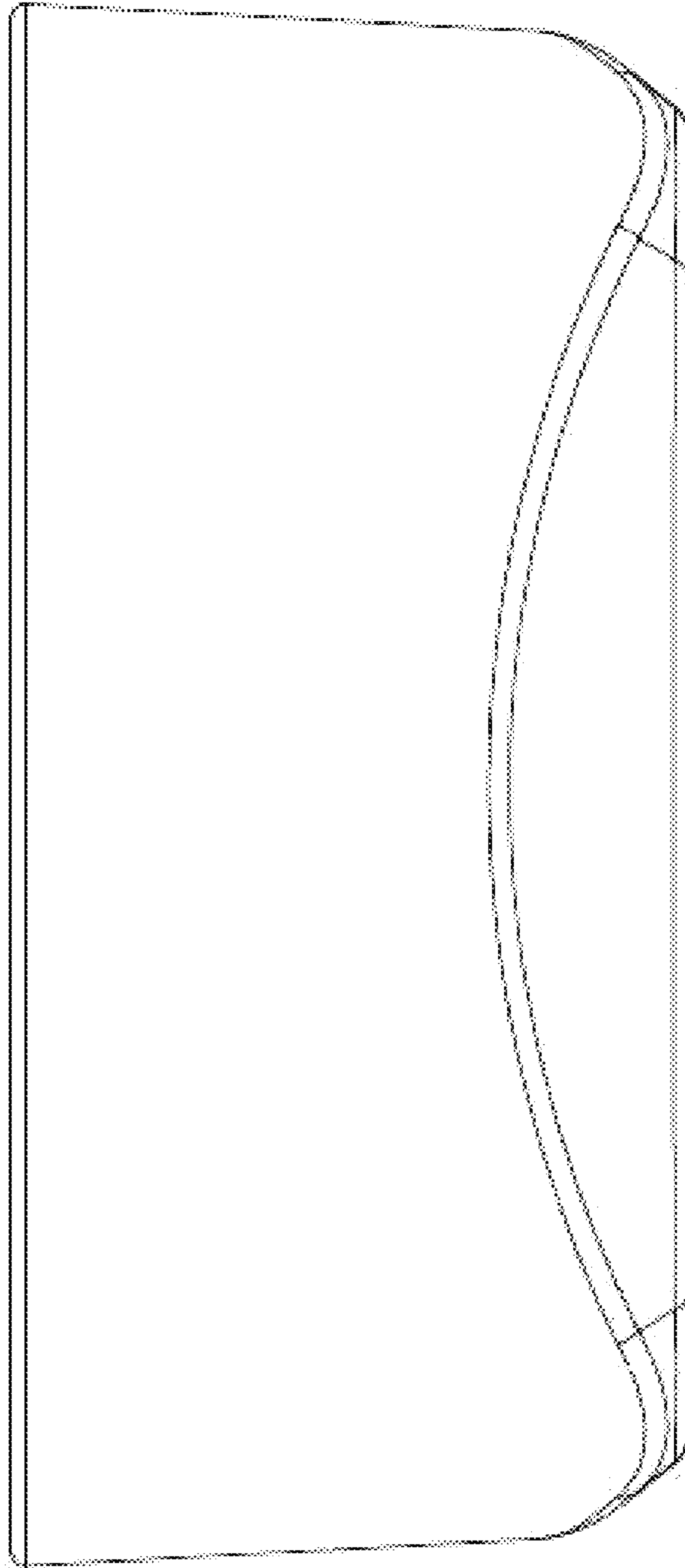


FIG. 27

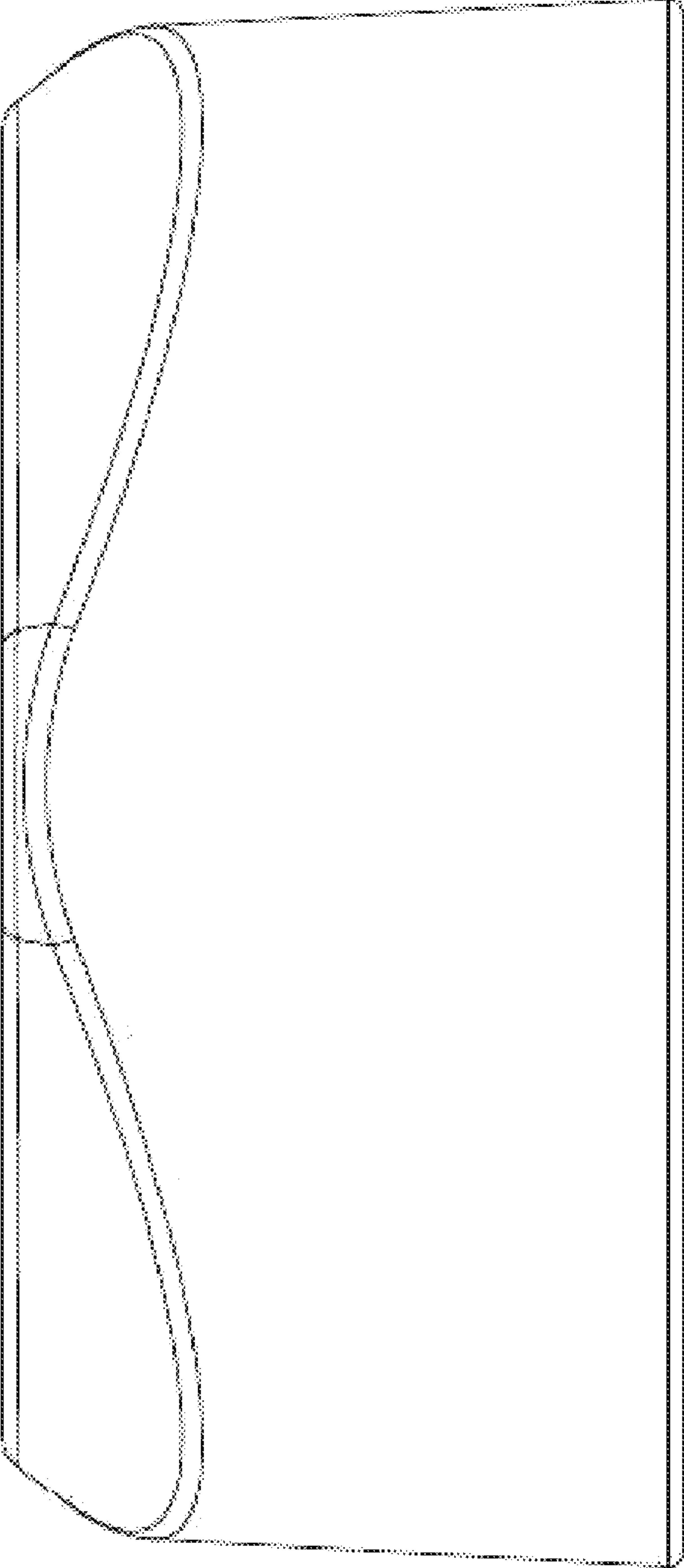


FIG. 28

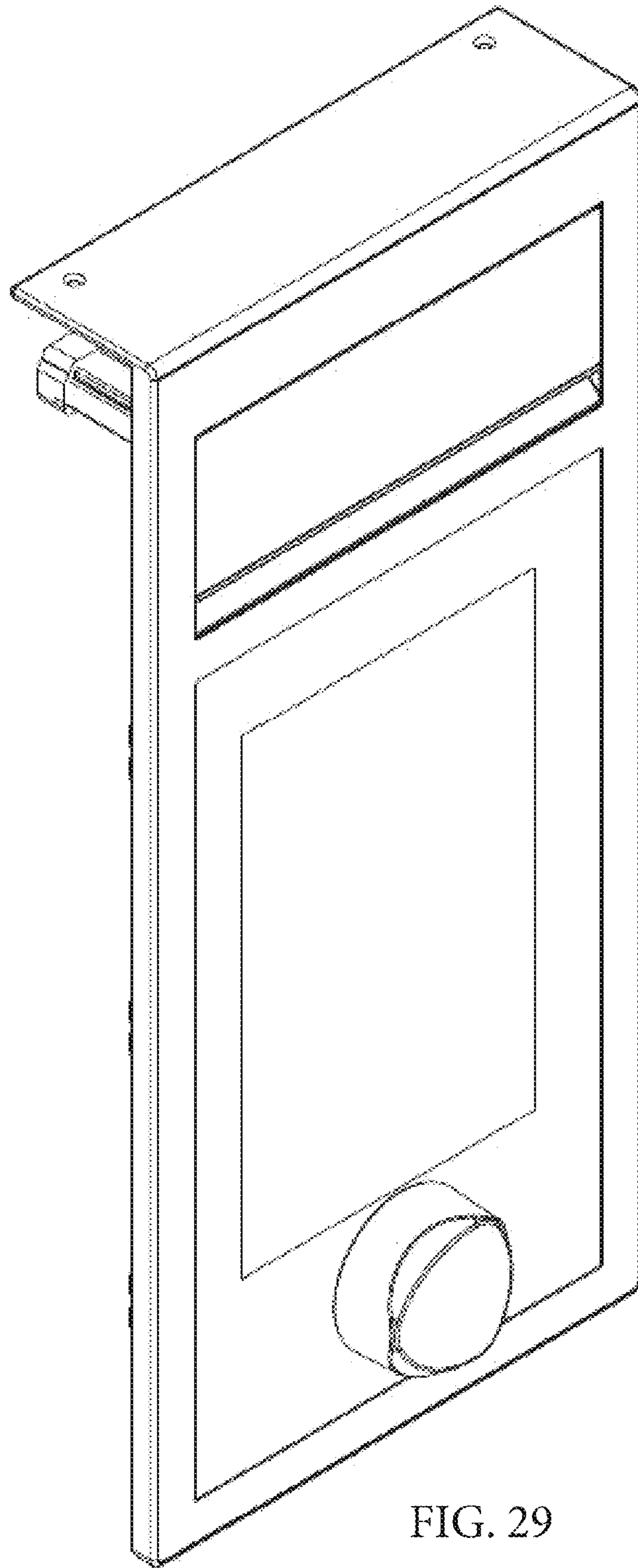


FIG. 29

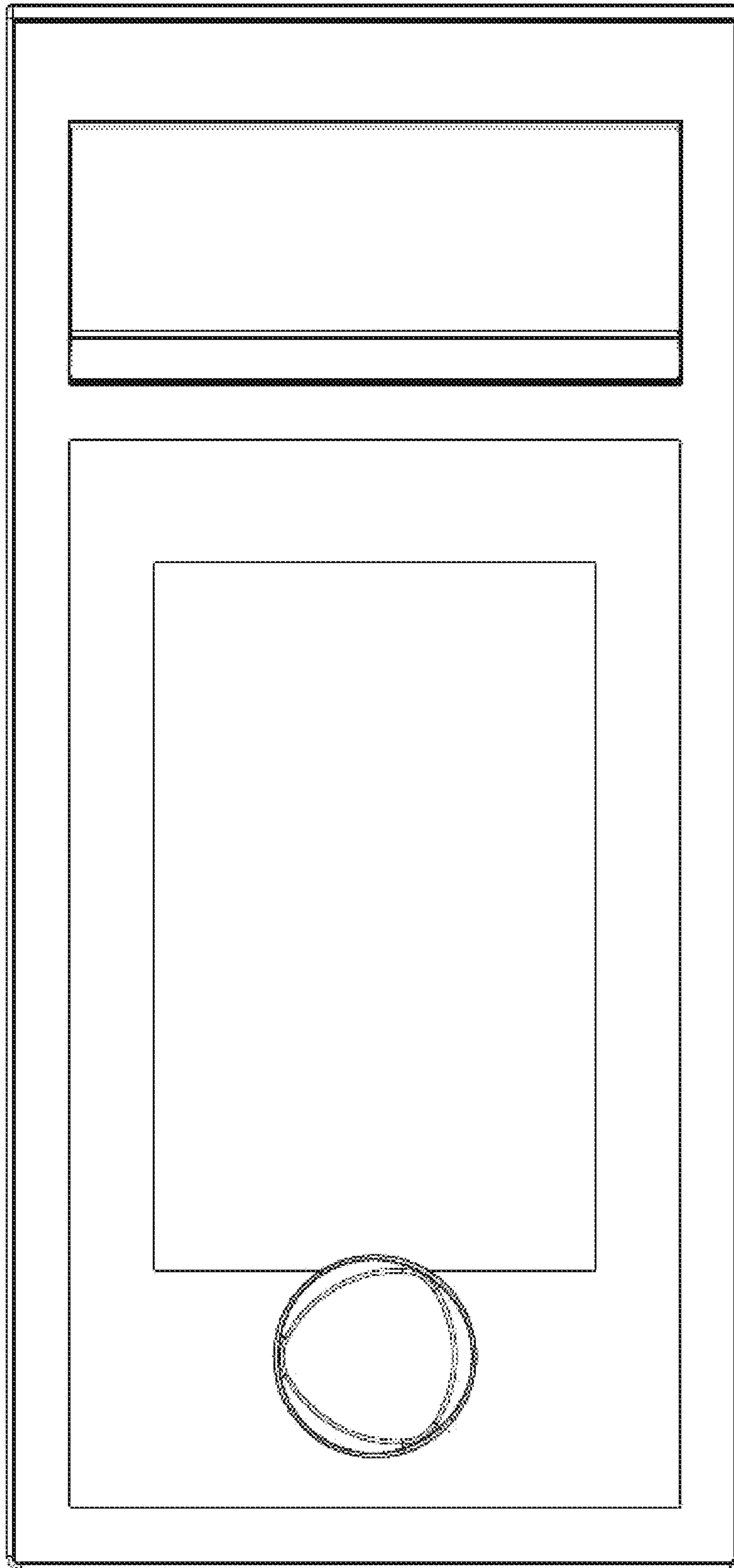


FIG. 30

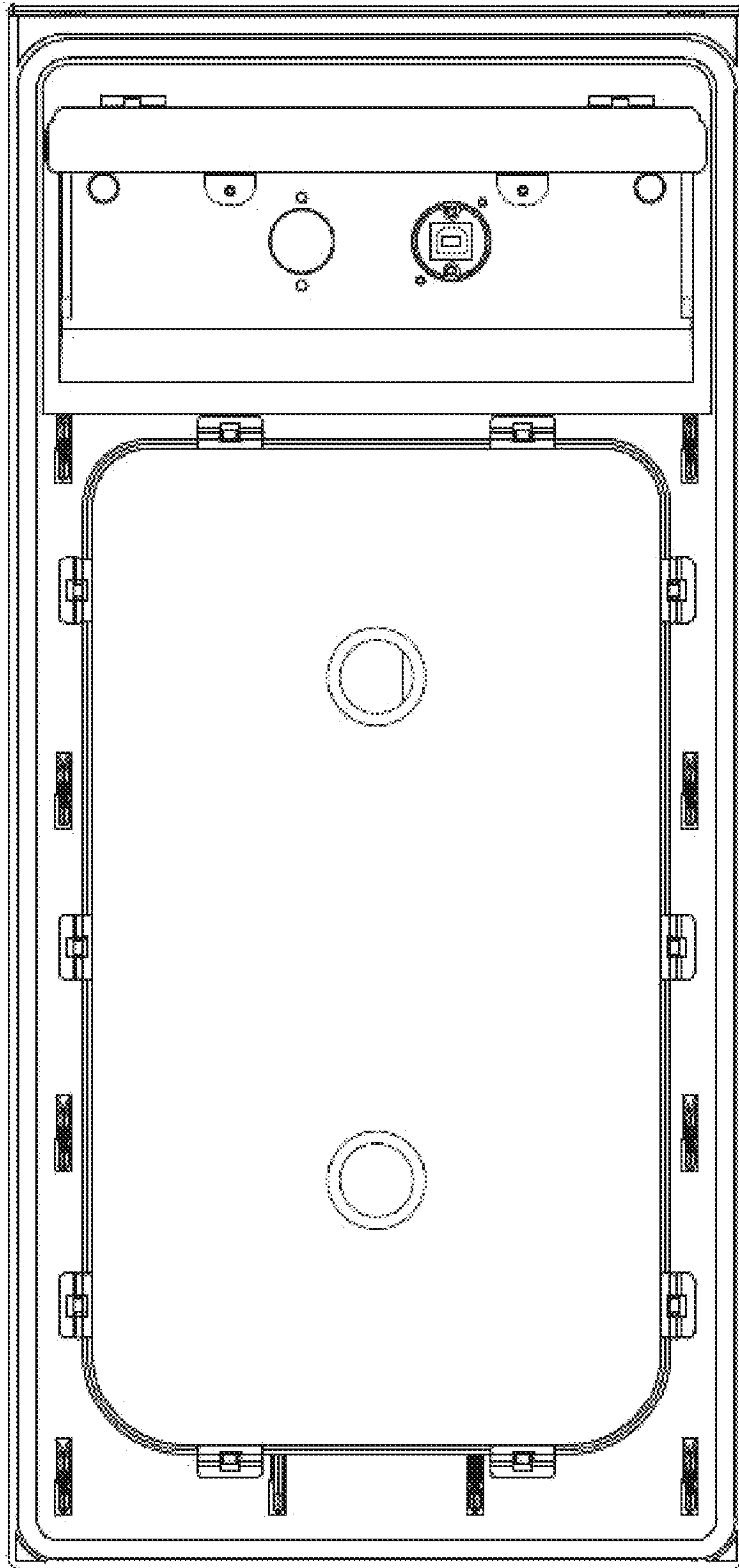


FIG. 31

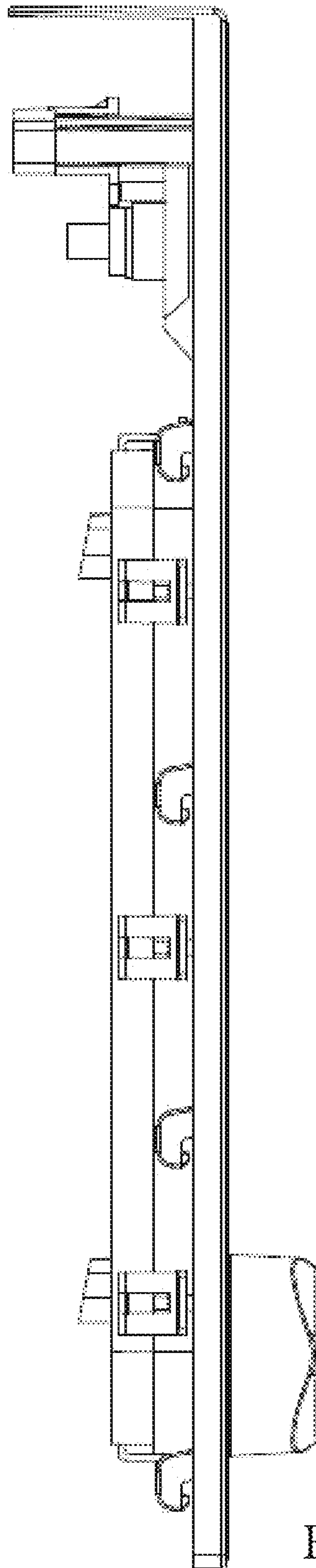


FIG. 32

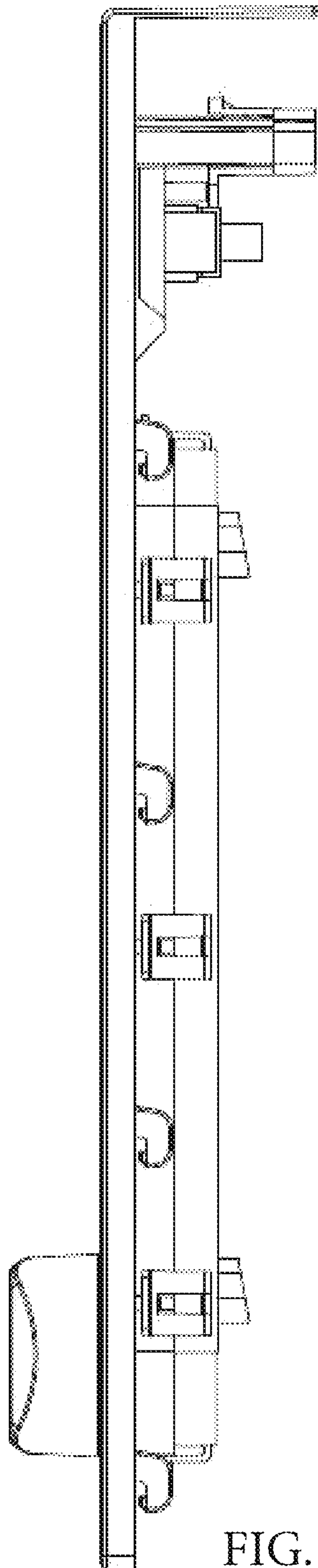


FIG. 33

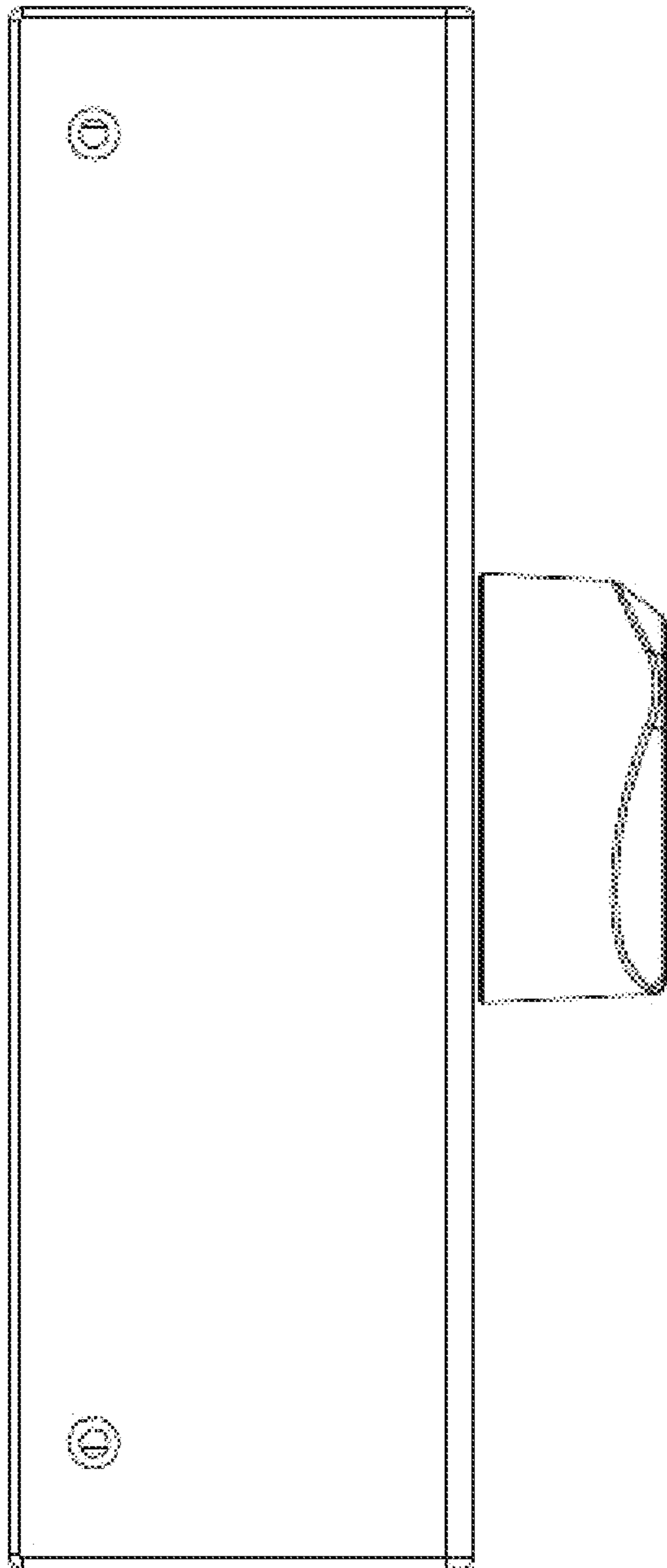


FIG. 34

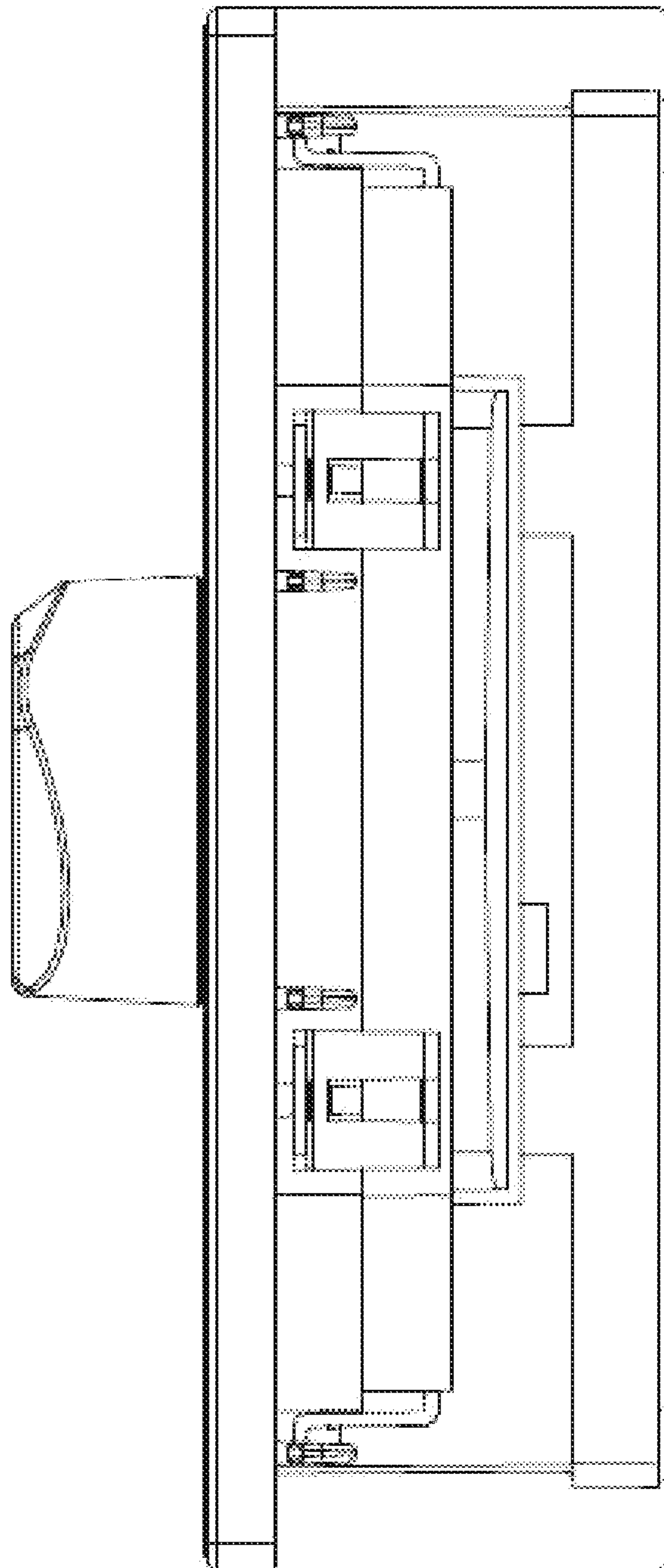


FIG. 35