



US00D899171S

(12) **United States Design Patent** (10) **Patent No.:** **US D899,171 S**
Yu (45) **Date of Patent:** **** Oct. 20, 2020**

(54) **DRINKING STRAW**

(71) Applicant: **Shenzhen Xiaoqiang Hao Technology CO. LTD**, Shenzhen (CN)

(72) Inventor: **Zhongguang Yu**, Shenzhen (CN)

(**) Term: **15 Years**

(21) Appl. No.: **29/706,769**

(22) Filed: **Sep. 24, 2019**

(51) **LOC (12) Cl.** **07-06**

(52) **U.S. Cl.**
USPC **D7/300.2**

(58) **Field of Classification Search**
USPC D7/300.2, 305, 376, 653, 688; D9/436, D9/716; D24/108, 110.5, 112; D25/119, D25/125, 132
CPC A47G 21/18; A47G 21/181; A47G 21/183; A47G 21/186; A47G 21/189
See application file for complete search history.

(56) **References Cited**

U.S. PATENT DOCUMENTS

D287,165	S *	12/1986	Lipsky	D24/112
5,727,734	A *	3/1998	Su	A47G 21/189 215/388
D497,509	S	10/2004	Nelson		
D498,967	S *	11/2004	White	D7/300.2
D527,566	S *	9/2006	Mather	D7/300.2
D638,244	S	5/2011	Wallace		
D757,476	S *	5/2016	O'Neill	D7/300.2
D815,479	S *	4/2018	Scardino	D7/300.2
9,974,403	B1 *	5/2018	O'Neill	A47G 21/186
D866,235	S *	11/2019	Pepper	D7/300.2
D888,483	S *	6/2020	Lin	D7/300.2
2014/0339325	A1 *	11/2014	Williams	A47G 21/18 239/33
2017/0027354	A1 *	2/2017	Lipson	B65D 77/28
2020/0107661	A1 *	4/2020	Lin	A47G 21/18
2020/0154919	A1 *	5/2020	Abramov	C08B 37/003

OTHER PUBLICATIONS

“Aollop Stainless Steel Foldable Drinking Straws”. Found online Mar. 18, 2020 at amazon.co.uk. Reference dated Jul. 4, 2019. Retrieved from https://www.amazon.co.uk/...DJ45W/ref=sr_1_45?keywords=reusable%2Bstraw%2Bcollapsible&qid=1584568307&sr=8-45&swrs=82FBC908C2FED2AD2D5D49835A8CBE8A&th=1.*

“Amplus Collapsible Silicone Straw Set”. Found online Mar. 18, 2020 at amazon.co.uk. Reference dated Nov. 13, 2018. Retrieved from https://www.amazon.co.uk/...oved/dp/B07KGBX42B/ref=sr_1_43?keywords=reusable+straw+flexible&qid=1584568172&sr=8-43&swrs=721ED34DE60BDBACB2BA44643FAF6CAF.*

“PrimaStraw: Flexible Straws”. Found online Mar. 11, 2016 at primastraw.com. Reference dated circa 2011. Retrieved from http://www.primastraw.com/products/flexible-straw/*

* cited by examiner

Primary Examiner — Kendra Leslie Hamilton

(74) *Attorney, Agent, or Firm* — W&K IP

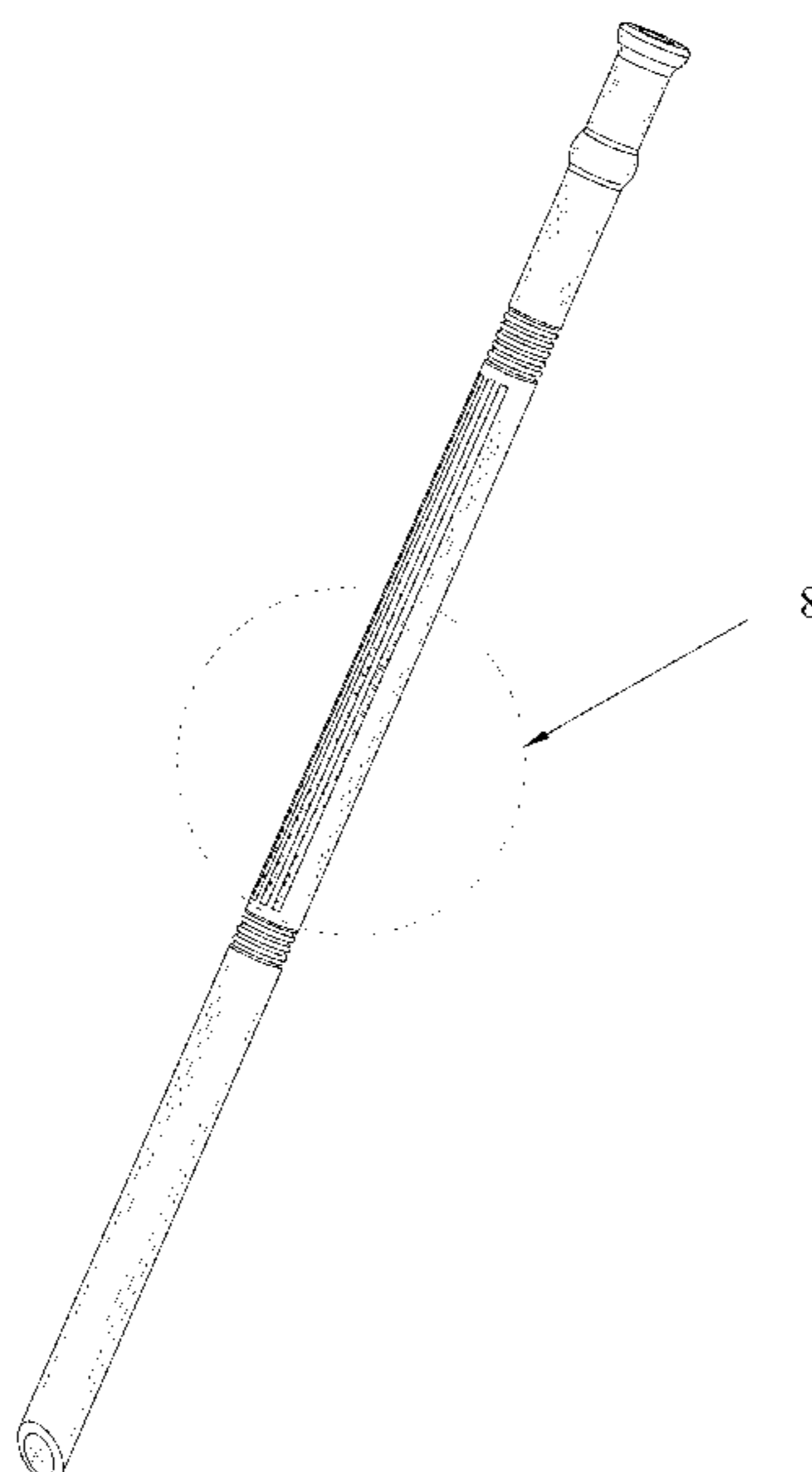
(57) **CLAIM**

The ornamental design for a drinking straw, as shown and described.

DESCRIPTION

FIG. 1 is a bottom, front, left perspective view of a drinking straw showing my new design;
FIG. 2 is a front elevational view thereof;
FIG. 3 is a rear elevational view thereof;
FIG. 4 is a left elevational view thereof;
FIG. 5 is a right elevational view thereof;
FIG. 6 is a top plan view thereof;
FIG. 7 is a bottom plan view thereof; and,
FIG. 8 is an enlarged view of detail “8”, identified in FIG. 1.

1 Claim, 8 Drawing Sheets



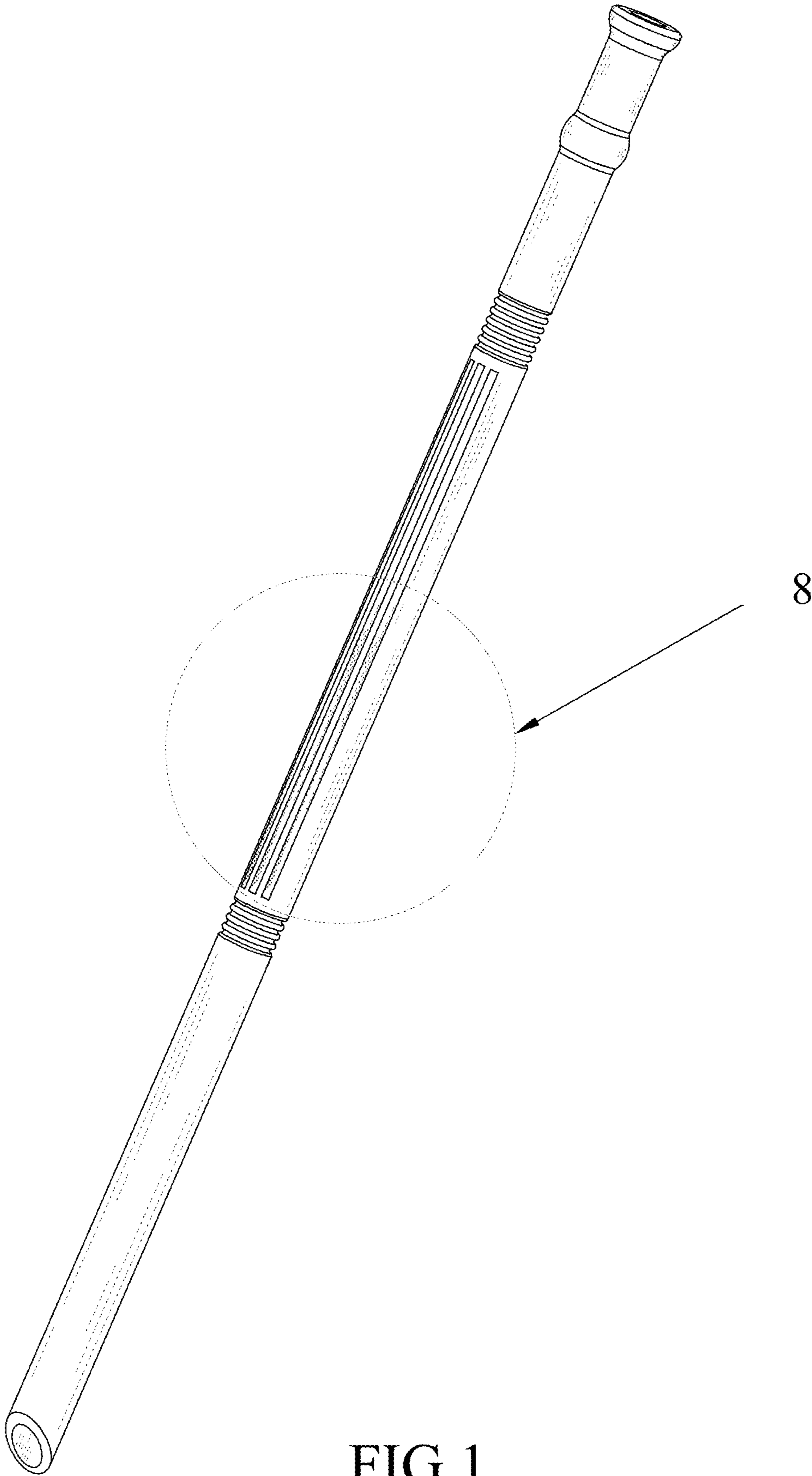


FIG.1

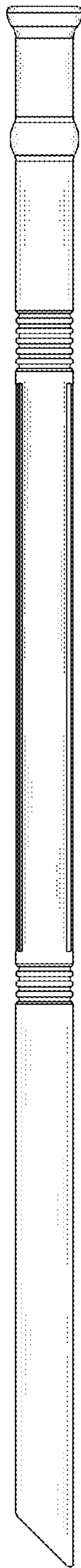


FIG.2

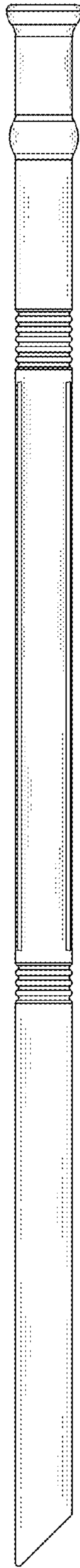


FIG.3

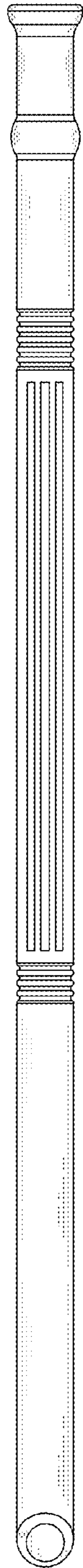


FIG.4

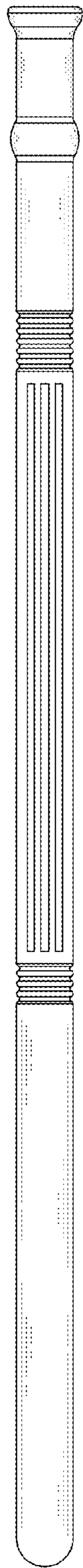


FIG.5

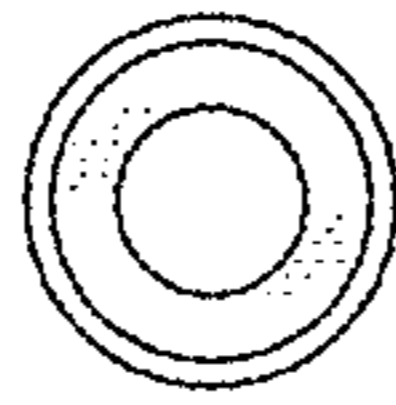


FIG.6

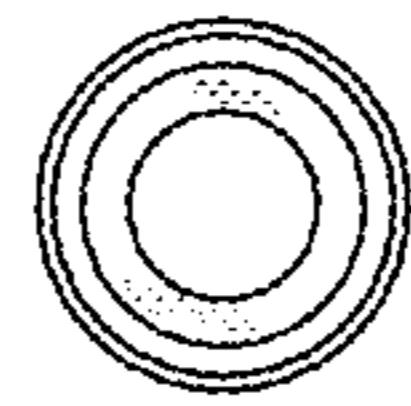


FIG.7

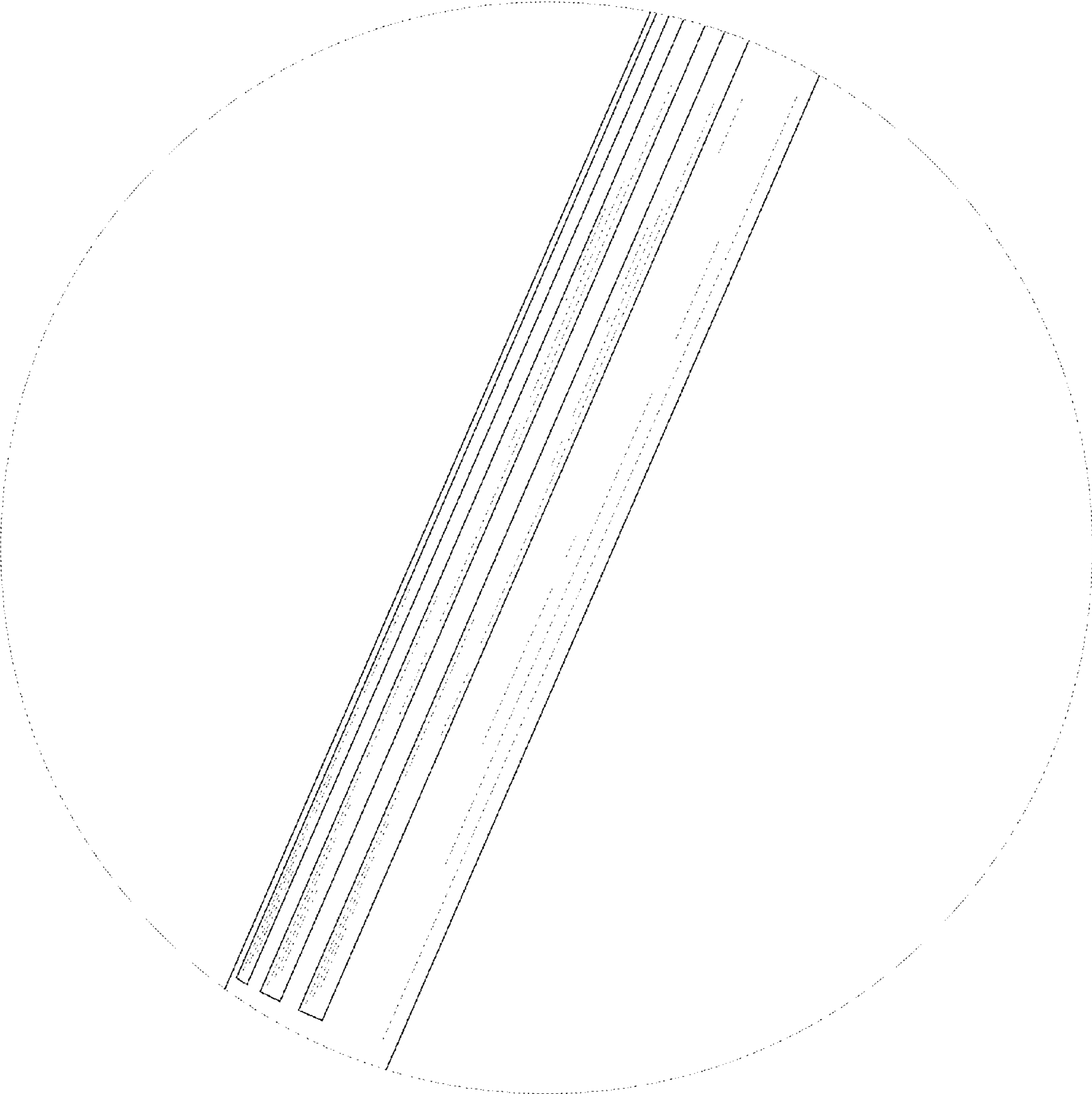


FIG.8