



US00D899169S

(12) **United States Design Patent** (10) **Patent No.:** **US D899,169 S**  
**Platt** (45) **Date of Patent:** **\*\* Oct. 20, 2020**

- (54) **OFFICE CHAIR MECHANISM**
- (71) Applicant: **BOCK 1 GMBH & CO. KG,**  
Postbauer-Heng (DE)
- (72) Inventor: **Robin Platt,** Suffolk (GB)
- (73) Assignee: **BOCK 1 GmbH & Co. KG,**  
Postbauer-Heng (DE)
- (\*\*) Term: **15 Years**
- (21) Appl. No.: **29/656,576**
- (22) Filed: **Jul. 13, 2018**

9,693,625	B2 *	7/2017	Lu	.....	A47C 3/18
10,376,071	B2 *	8/2019	Patton	.....	A47C 3/20
D859,901	S *	9/2019	Costaglia	.....	D6/716.7
10,433,644	B2 *	10/2019	Kamiya	.....	A47C 9/00
D871,815	S *	1/2020	Costaglia	.....	D6/716.7
2004/0195884	A1 *	10/2004	Gardner	.....	A47C 3/18
					297/344.21
2007/0241601	A1 *	10/2007	Guerrini	.....	A47C 1/14
					297/344.21
2009/0001788	A1 *	1/2009	Lenz	.....	A47C 9/002
					297/217.4
2011/0109135	A1 *	5/2011	Davis, Jr.	.....	A47C 3/18
					297/217.4
2014/0292053	A1 *	10/2014	Chou	.....	A47C 3/185
					297/344.21

\* cited by examiner

**Related U.S. Application Data**

- (62) Division of application No. 35/503,213, filed on May 15, 2017 (U.S. filing date under 35 U.S.C. 384), and having an international filing date of May 15, 2017, now Pat. No. Des. 853,163.
- (51) **LOC (12) Cl.** ..... **06-06**
- (52) **U.S. Cl.**  
USPC ..... **D6/716.7**
- (58) **Field of Classification Search**  
USPC ..... D6/310, 334-336, 716.7, 716.1, 716  
CPC ..... A47C 3/18; A47C 1/023; A47C 3/026;  
F16H 21/36  
See application file for complete search history.

*Primary Examiner* — Jennifer L Rempfer  
(74) *Attorney, Agent, or Firm* — Laurence A. Greenberg;  
Werner H. Stemer; Ralph E. Locher

(57) **CLAIM**

The ornamental design for an office chair mechanism, as shown and described.

**DESCRIPTION**

FIG. 1 is a front elevation view of the office chair mechanism showing my new design;  
FIG. 2 is a left side elevation view thereof;  
FIG. 3 is a top plan view thereof; and,  
FIG. 4 is a perspective view thereof.  
The broken lines shown in the drawing represent portions of the office chair armrest that form no part of the claimed design; further, the broken lines illustrate the claim in use and form no part of the claimed design.

(56) **References Cited**

**U.S. PATENT DOCUMENTS**

D350,041	S *	8/1994	Schwarzli	.....	D20/8
D574,636	S *	8/2008	Peng	.....	D6/716.7
D719,774	S *	12/2014	Brooks	.....	D6/716.7

**1 Claim, 4 Drawing Sheets**

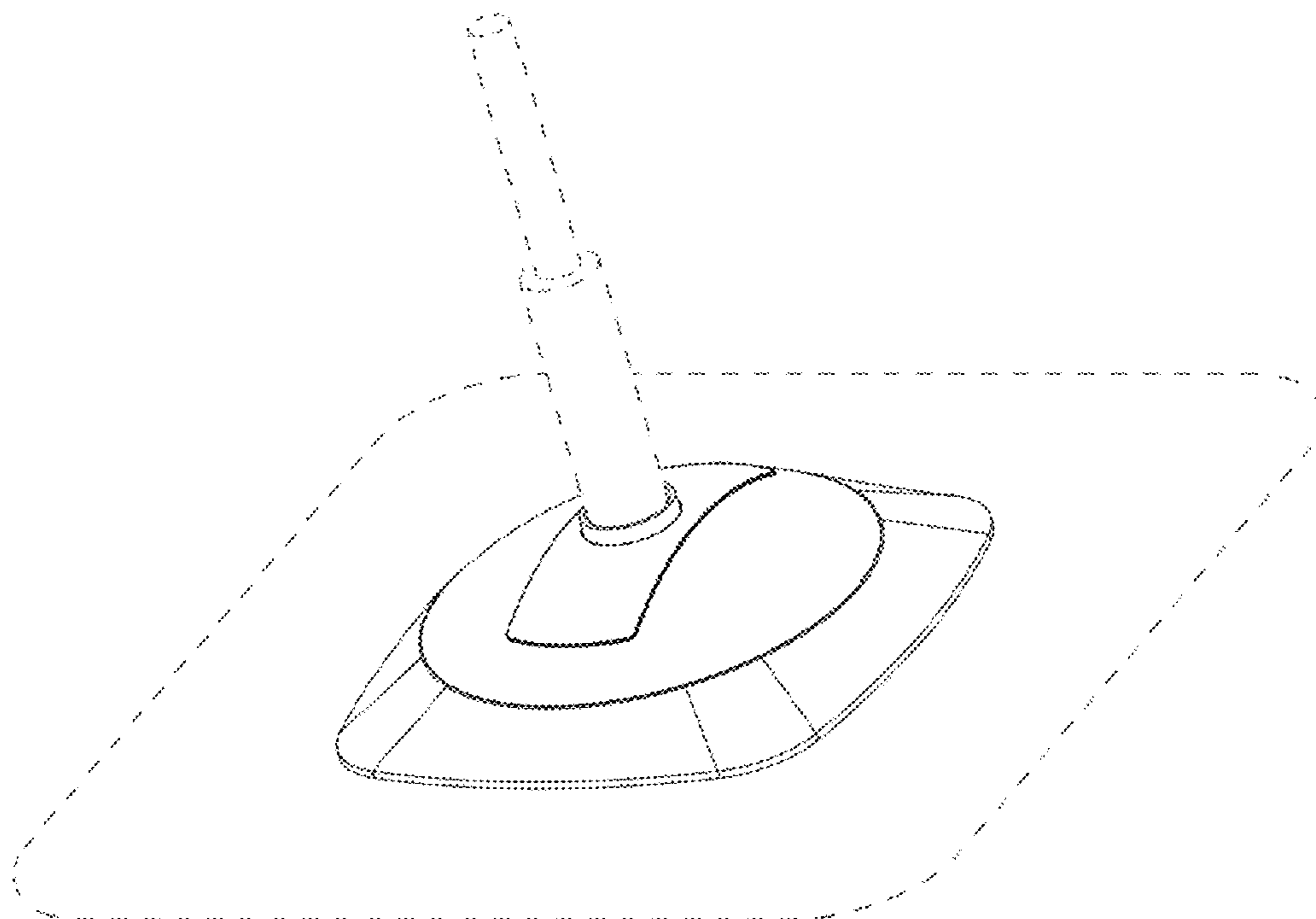


FIG. 1

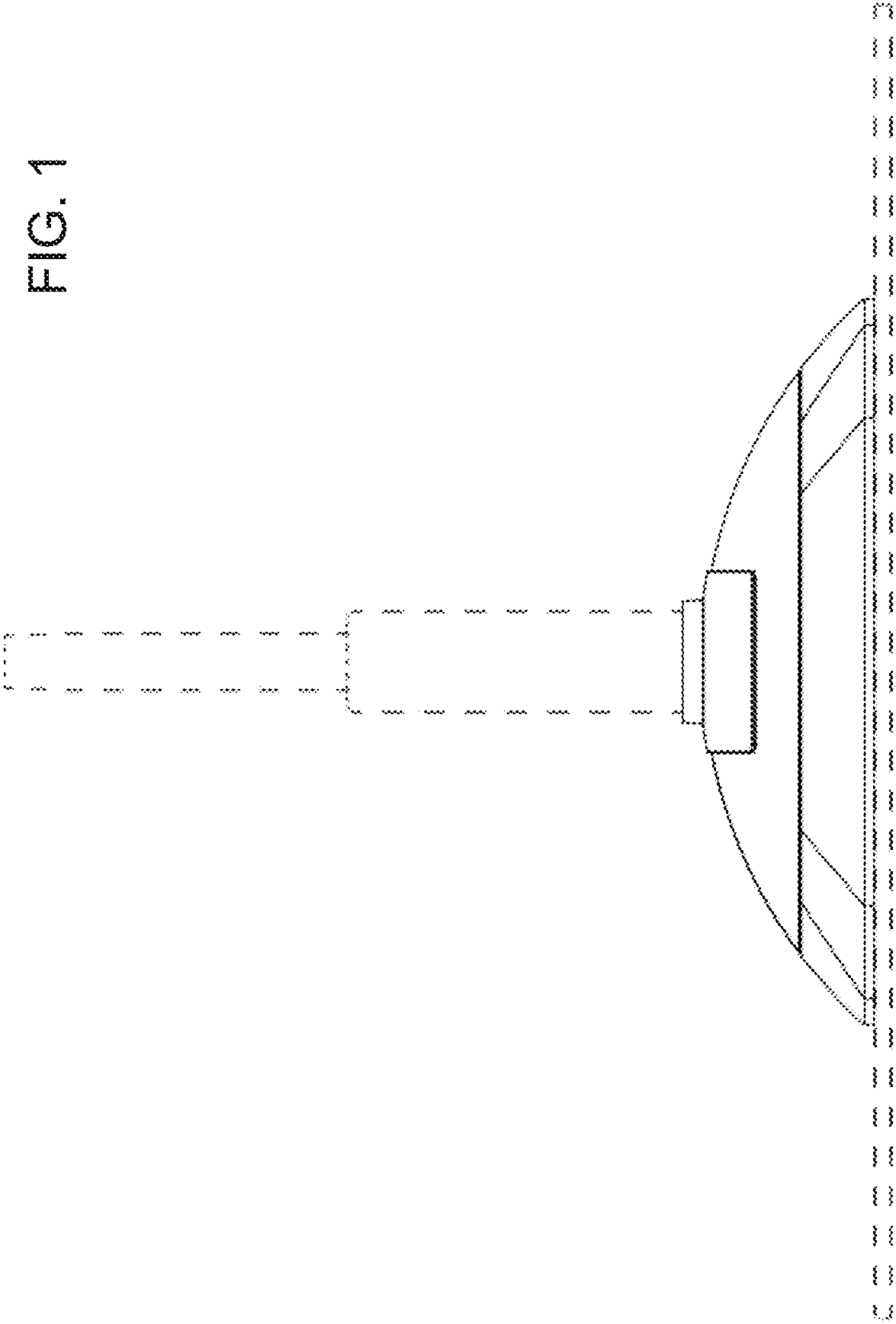


FIG. 2

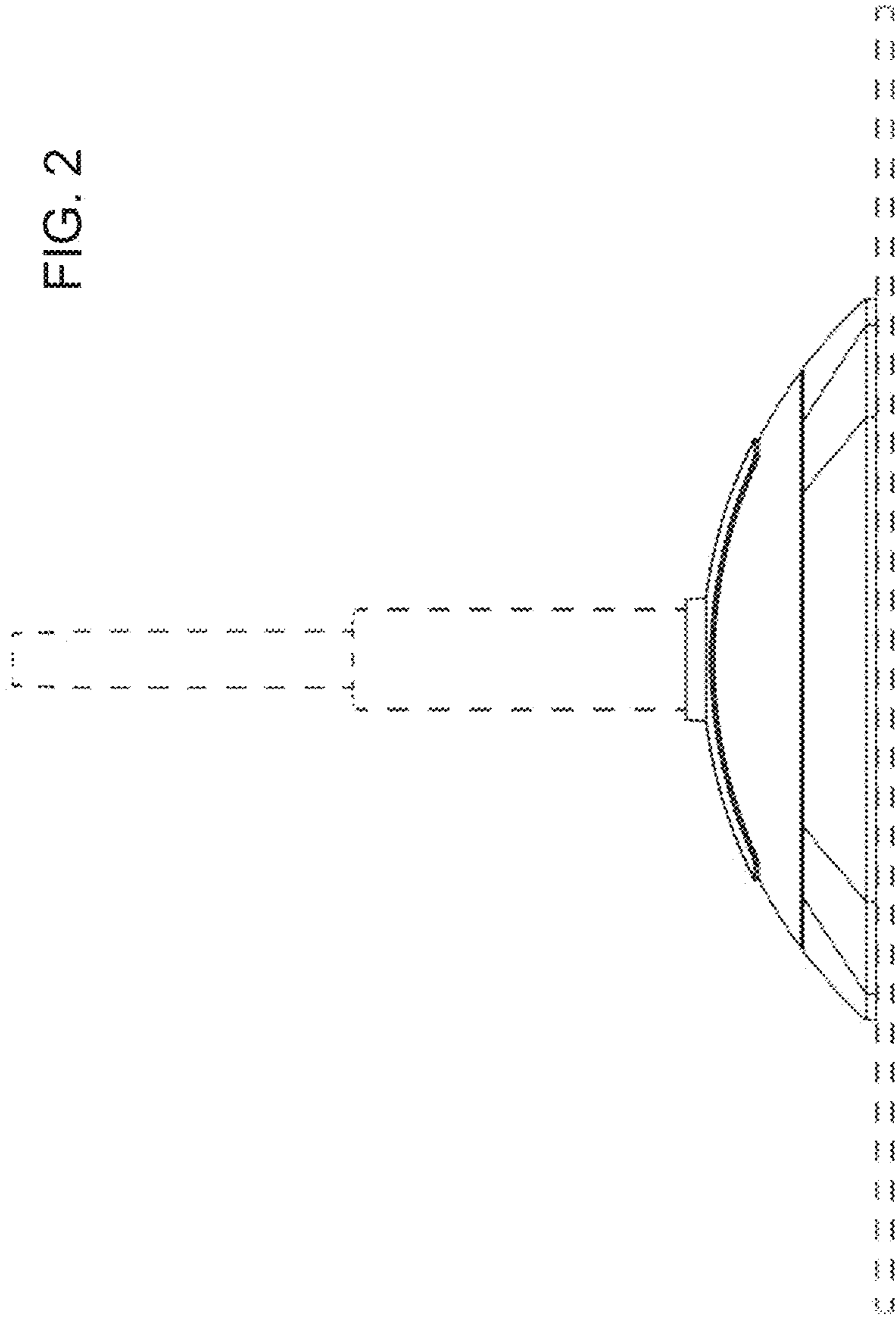


FIG. 3

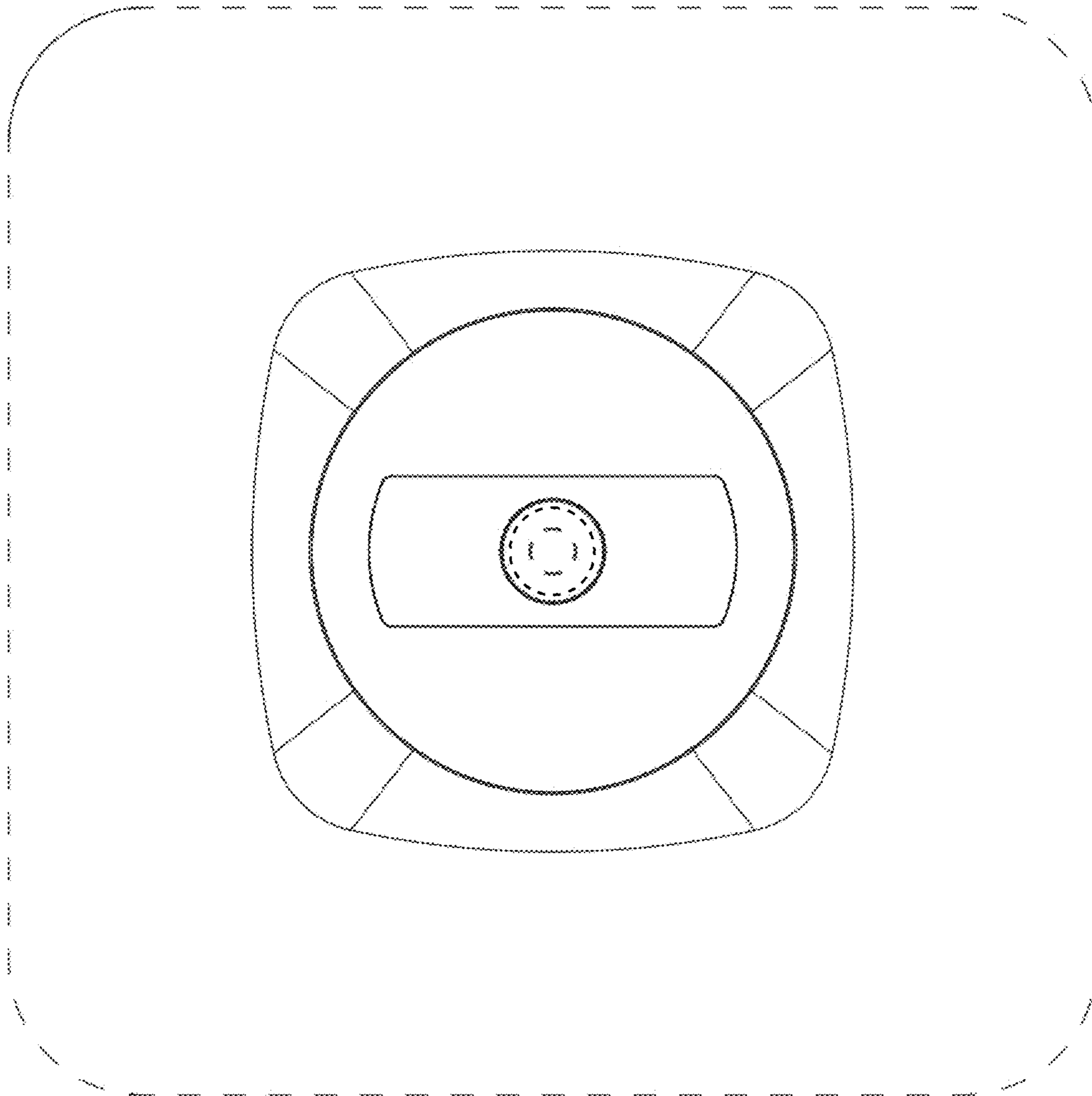


FIG. 4

