



US00D899168S

(12) **United States Design Patent** (10) **Patent No.:** **US D899,168 S**
Bock (45) **Date of Patent:** **** Oct. 20, 2020**

(54) **OFFICE CHAIR MECHANISM**
(71) Applicant: **BOCK 1 GMBH & CO. KG,**
Postbauer-Heng (DE)
(72) Inventor: **Hermann Bock,** Pyrbaum (DE)
(73) Assignee: **BOCK 1 GmbH & Co. KG,**
Postbauer-Heng (DE)

D578,326 S * 10/2008 Donati D6/716.7
D579,241 S * 10/2008 Breen D6/716.7
D653,481 S * 2/2012 Moreschi D6/716.7
D719,774 S * 12/2014 Brooks D6/716.7
D766,028 S * 9/2016 Alvarez D6/716.7
D871,815 S * 1/2020 Costaglia D6/716.7
2002/0163242 A1* 11/2002 Beggs A47C 1/026
297/463.1
2019/0343284 A1* 11/2019 Ni A47C 1/03274
2019/0343287 A1* 11/2019 Ni A47C 1/023

(**) Term: **15 Years**
(21) Appl. No.: **29/656,575**
(22) Filed: **Jul. 13, 2018**

* cited by examiner

Primary Examiner — Jennifer L Rempfer
(74) *Attorney, Agent, or Firm* — Laurence A. Greenberg;
Werner H. Stemer; Ralph E. Locher

Related U.S. Application Data

(62) Division of application No. 35/503,213, filed on May 15, 2017 (U.S. filing date under 35 U.S.C. 384), and having an international filing date of May 15, 2017, now Pat. No. Des. 853,163.

(57) **CLAIM**

The ornamental design for an office chair mechanism, as shown and described.

(30) **Foreign Application Priority Data**

May 15, 2017 (WO) 3389101

(51) **LOC (12) Cl.** **06-06**

(52) **U.S. Cl.**
USPC **D6/716.7**

(58) **Field of Classification Search**
USPC D6/310, 334-336, 716.7, 716.1, 716
CPC A47C 3/18; A47C 1/023; A47C 3/026; F16H
21/36
See application file for complete search history.

DESCRIPTION

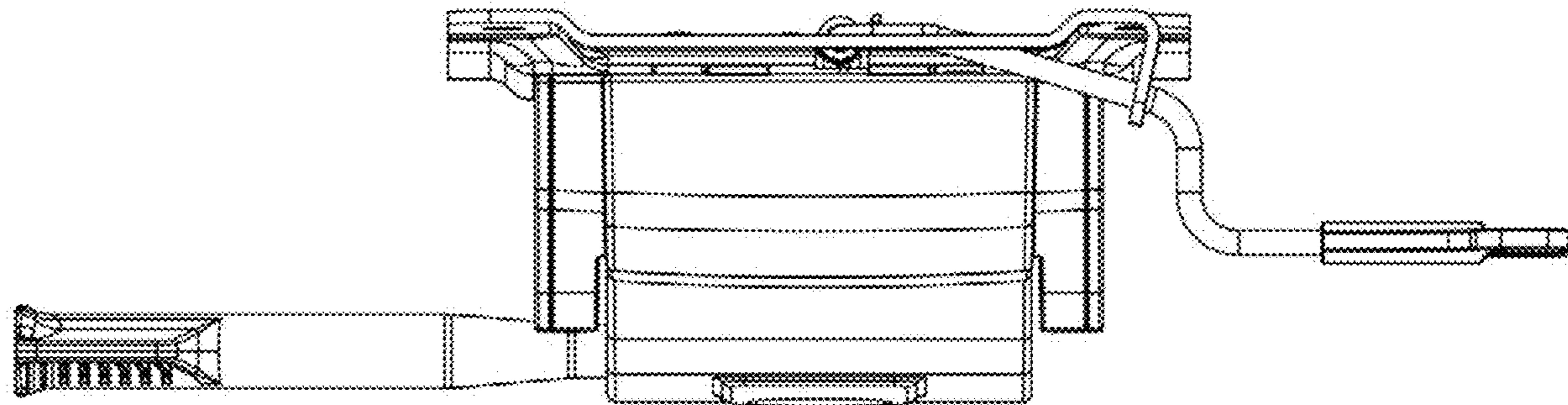
FIG. 1 is a front elevation view of the office chair mechanism showing my new design;
FIG. 2 is a rear elevation view thereof;
FIG. 3 is a left side elevation view thereof;
FIG. 4 is a top plan view thereof;
FIG. 5 is a bottom plan view thereof;
FIG. 6 is a right side elevation view thereof;
FIG. 7 is a front perspective view thereof; and,
FIG. 8 is a rear perspective view thereof.
The broken lines shown in the drawing represent portions of the office chair mechanism that form no part of the claimed design.

(56) **References Cited**

U.S. PATENT DOCUMENTS

D447,652 S * 9/2001 Beggs D6/716.7
D550,989 S * 9/2007 Donati D6/716.7

1 Claim, 8 Drawing Sheets



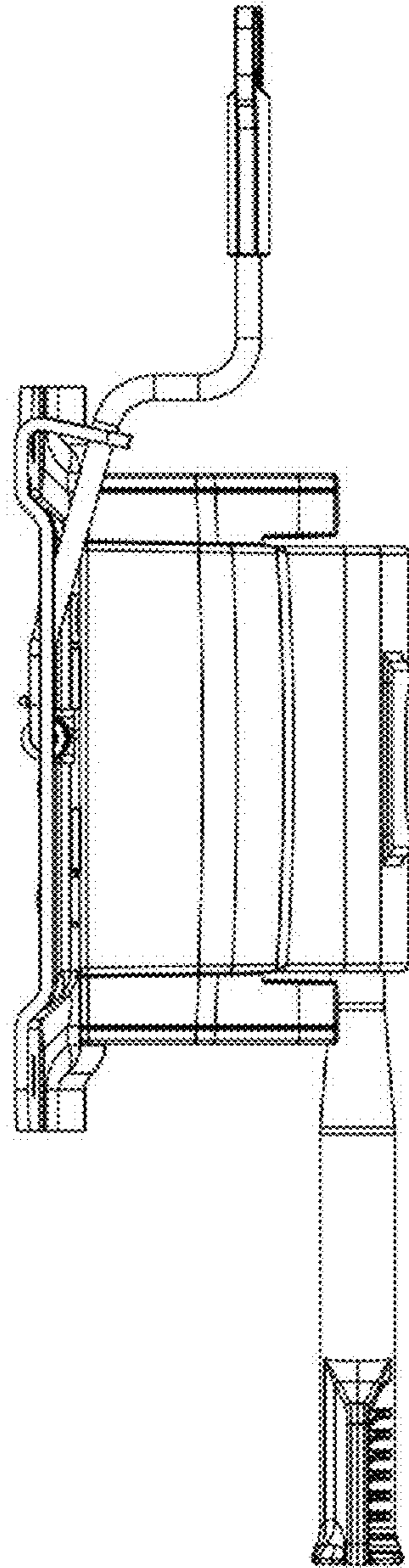


FIG. 1

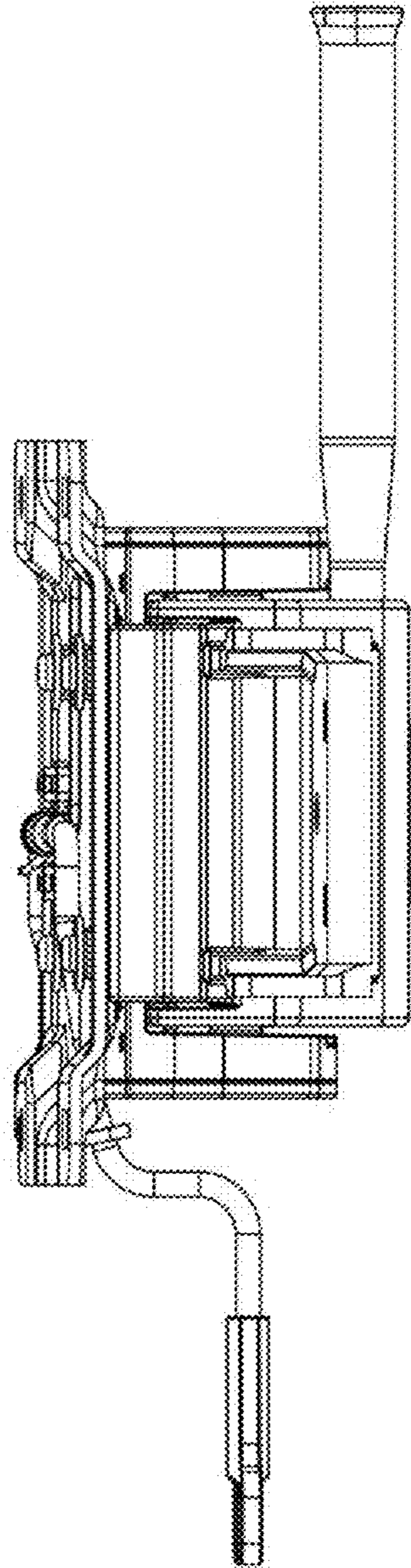


FIG. 2

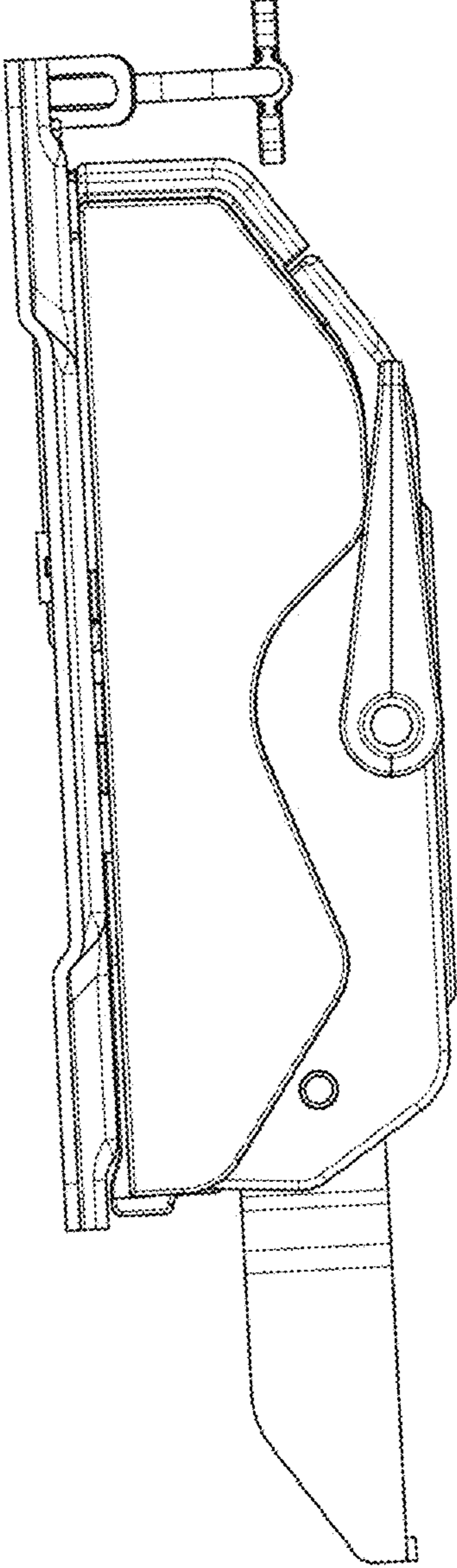


FIG. 3

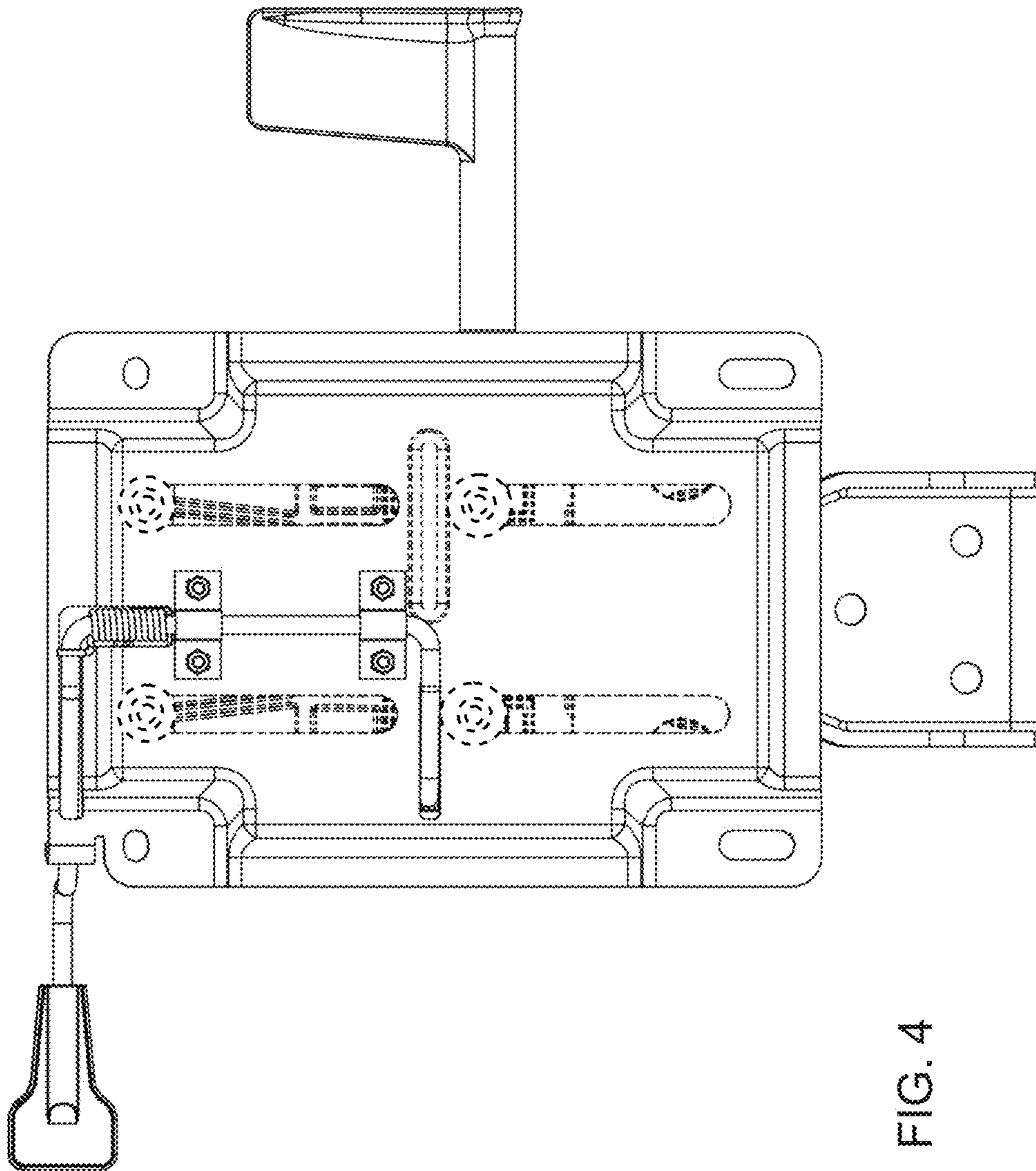


FIG. 4

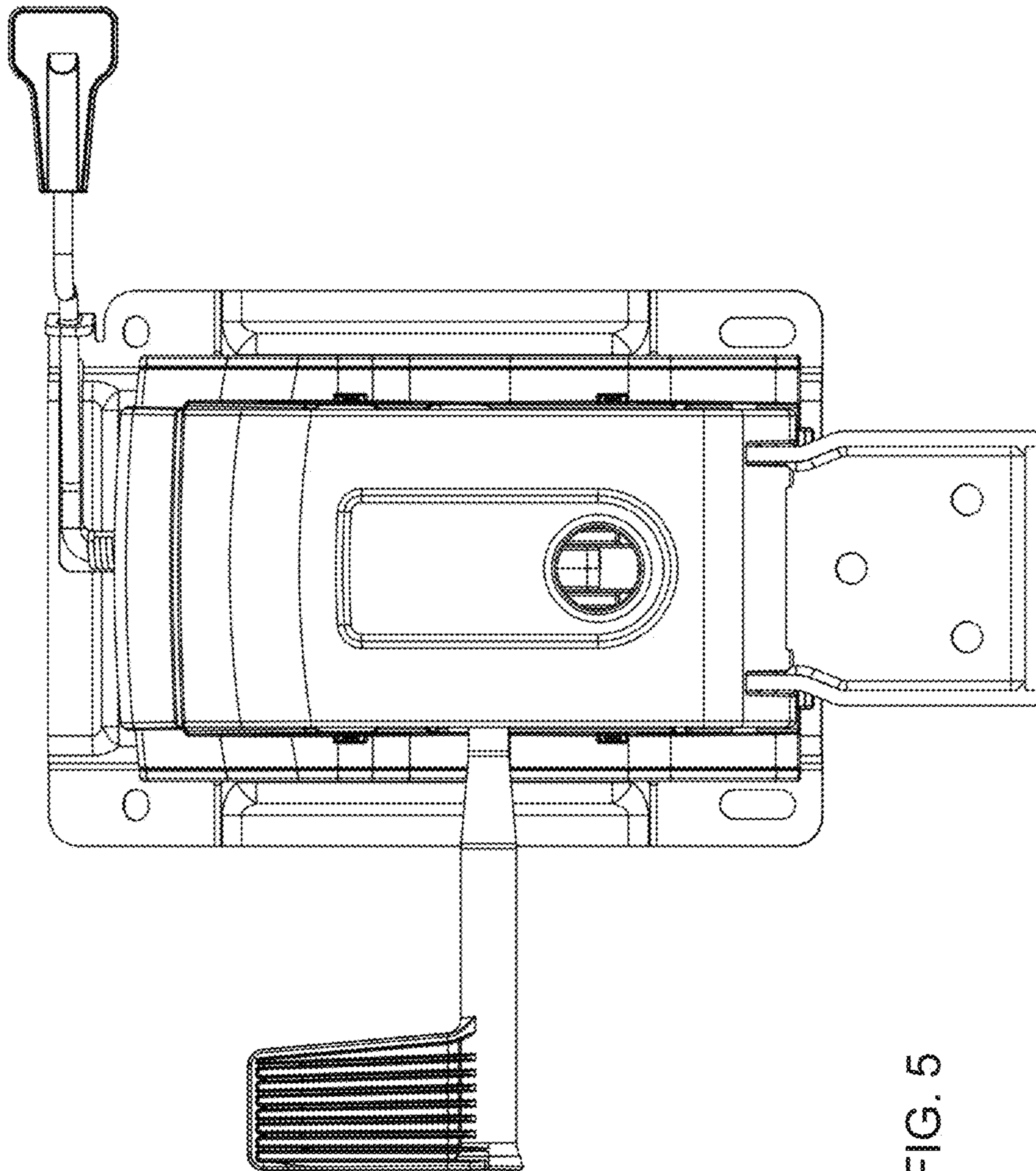


FIG. 5

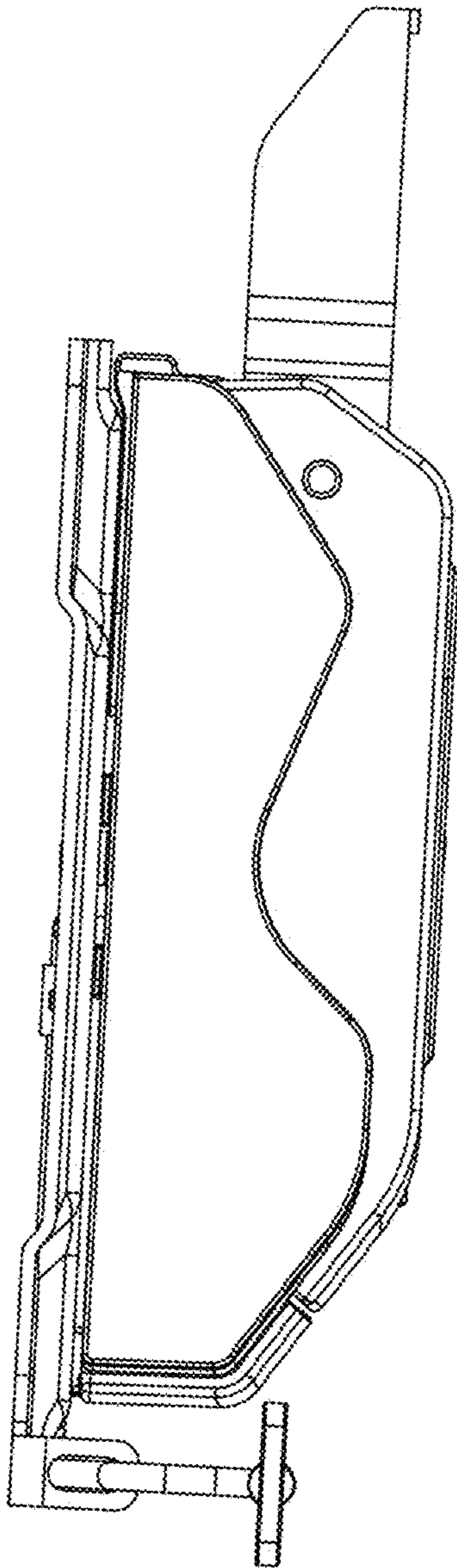


FIG. 6

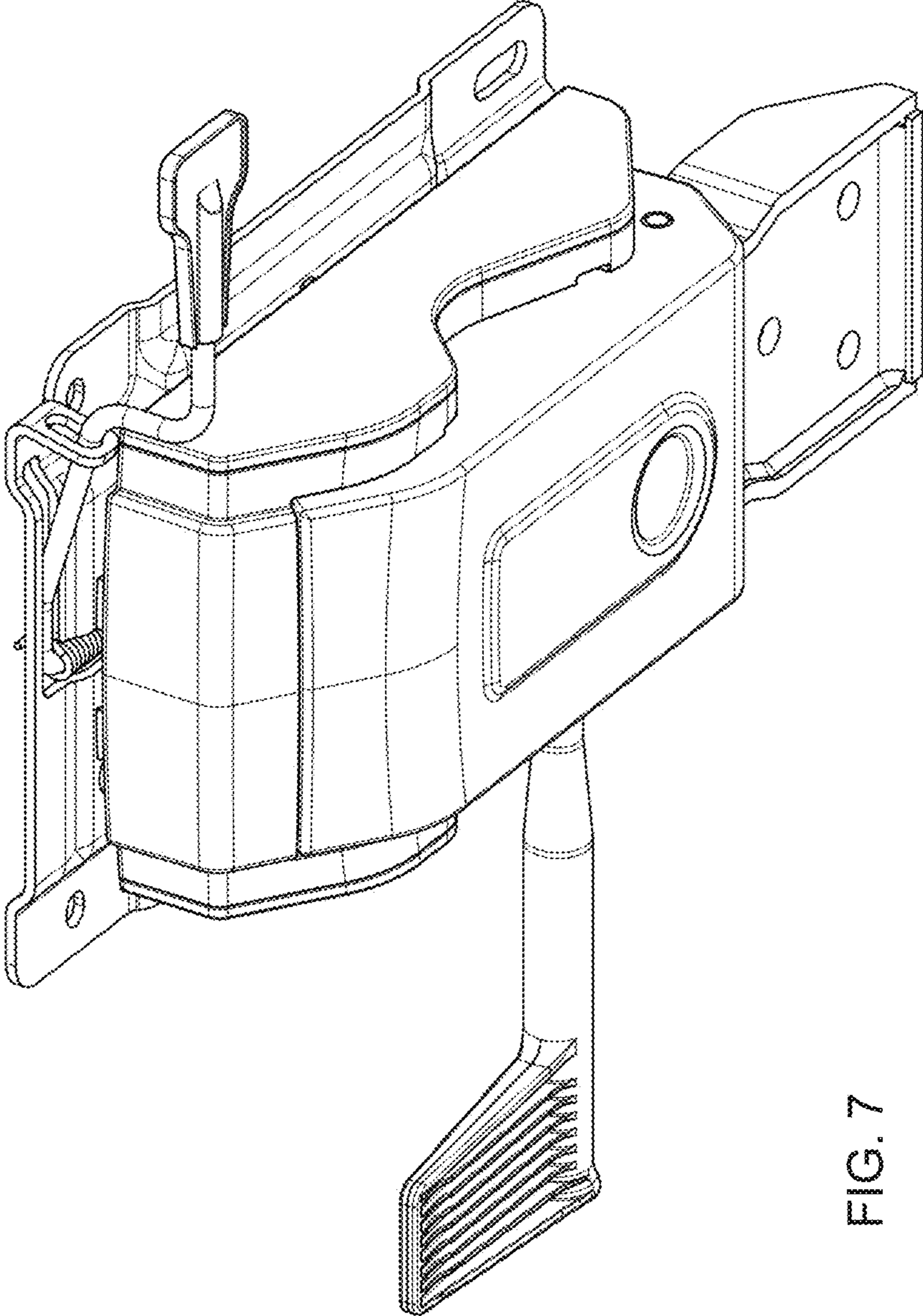


FIG. 7

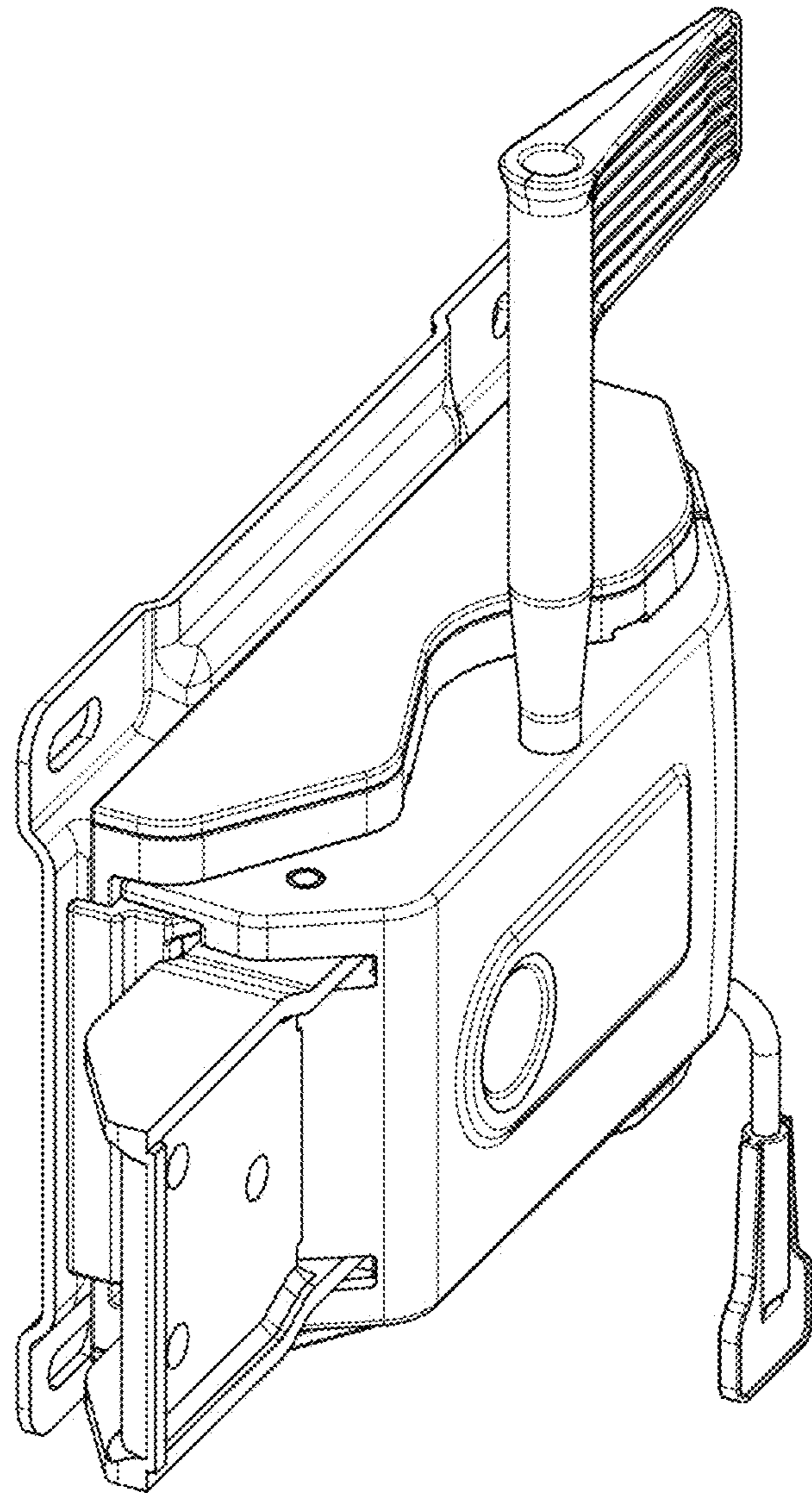


FIG. 8