



US00D899167S

(12) **United States Design Patent**
Galvez

(10) **Patent No.:** **US D899,167 S**

(45) **Date of Patent:** **** Oct. 20, 2020**

(54) **LIGHT FOR A CHAIR**

(71) Applicant: **Oscar Galvez**, La Habra, CA (US)

(72) Inventor: **Oscar Galvez**, La Habra, CA (US)

(**) Term: **15 Years**

(21) Appl. No.: **29/606,777**

(22) Filed: **Jun. 7, 2017**

(51) **LOC (12) Cl.** **06-01**

(52) **U.S. Cl.**
USPC **D6/716.2**; D26/120

(58) **Field of Classification Search**
USPC D6/300, 308, 703.2, 703, 716, 716.2;
D26/51, 72, 85, 118, 120
CPC A47F 11/04; A47F 3/005; F21V 33/0012
See application file for complete search history.

D730,563 S *	5/2015	Renshaw	D26/89
D749,257 S *	2/2016	Arndt	D26/76
D795,487 S *	8/2017	Sonneman	D26/85
D849,987 S *	5/2019	Koerth	D26/85
D851,807 S *	6/2019	Wu	D26/85
D874,709 S *	2/2020	Coleman	D26/89
2011/0080727 A1 *	4/2011	Maxik	F21V 29/773 362/235
2012/0098306 A1 *	4/2012	Jarnagin	F21V 33/0012 297/217.6
2019/0150766 A1 *	5/2019	Gourlay	F21V 23/0464

* cited by examiner

Primary Examiner — Deanna L Pratt

(74) *Attorney, Agent, or Firm* — Kenneth L. Green;
Averill & Green

(57) **CLAIM**

The ornamental design for a light for a chair, as shown and described.

(56) **References Cited**

U.S. PATENT DOCUMENTS

D134,349 S *	11/1942	Cadwallader	D26/120
D160,791 S *	11/1950	Kushner	D26/85
D183,788 S *	10/1958	Carter et al.	D6/671.1
3,263,071 A *	7/1966	Fabbri	F21V 17/00 362/355
D248,184 S *	6/1978	Roberts	D26/85
D270,066 S *	8/1983	Ackeret	40/513
D340,001 S *	10/1993	Watkins	D10/113.4
D386,801 S *	11/1997	Orgovan	D20/10
D476,176 S *	6/2003	Lenger	D6/703.2
D480,222 S *	10/2003	Lee	D19/96
D524,555 S *	7/2006	Mohundro	D6/300
D527,193 S *	8/2006	Park	D6/300
7,766,293 B2 *	8/2010	Seidl	F21V 23/0464 248/311.2
D632,008 S *	2/2011	Kim	D26/120
D691,762 S *	10/2013	Sieczkowski	D26/89
D691,764 S *	10/2013	Sieczkowski	D26/120
D717,990 S *	11/2014	Nakai	D26/120

DESCRIPTION

FIG. 1 is a perspective view showing the front, left side and top of the light for a chair, showing my new design, not showing a lighted portion.

FIG. 2 is a front view of the light for a chair, not showing a lighted portion.

FIG. 3 is a left side view of the light for a chair, not showing a lighted portion.

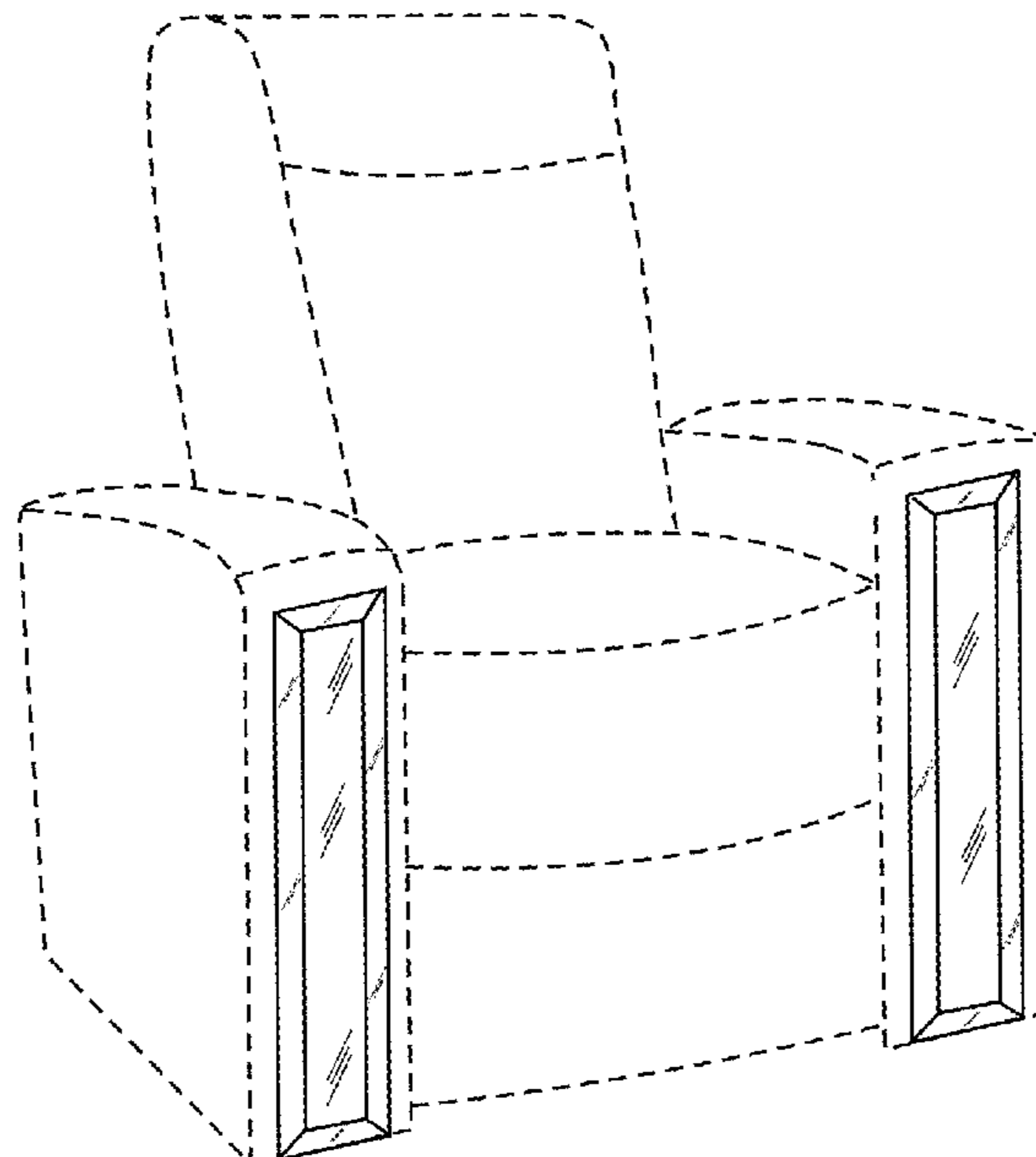
FIG. 4 is a right side view of the light for a chair, not showing a lighted portion.

FIG. 5 is a top view of the light for a chair, not showing a lighted portion.

FIG. 6 is a bottom view of the light for a chair, not showing a lighted portion; and,

FIG. 7 is a front view of the light for a chair, showing a lighted portion having no shading.

1 Claim, 2 Drawing Sheets



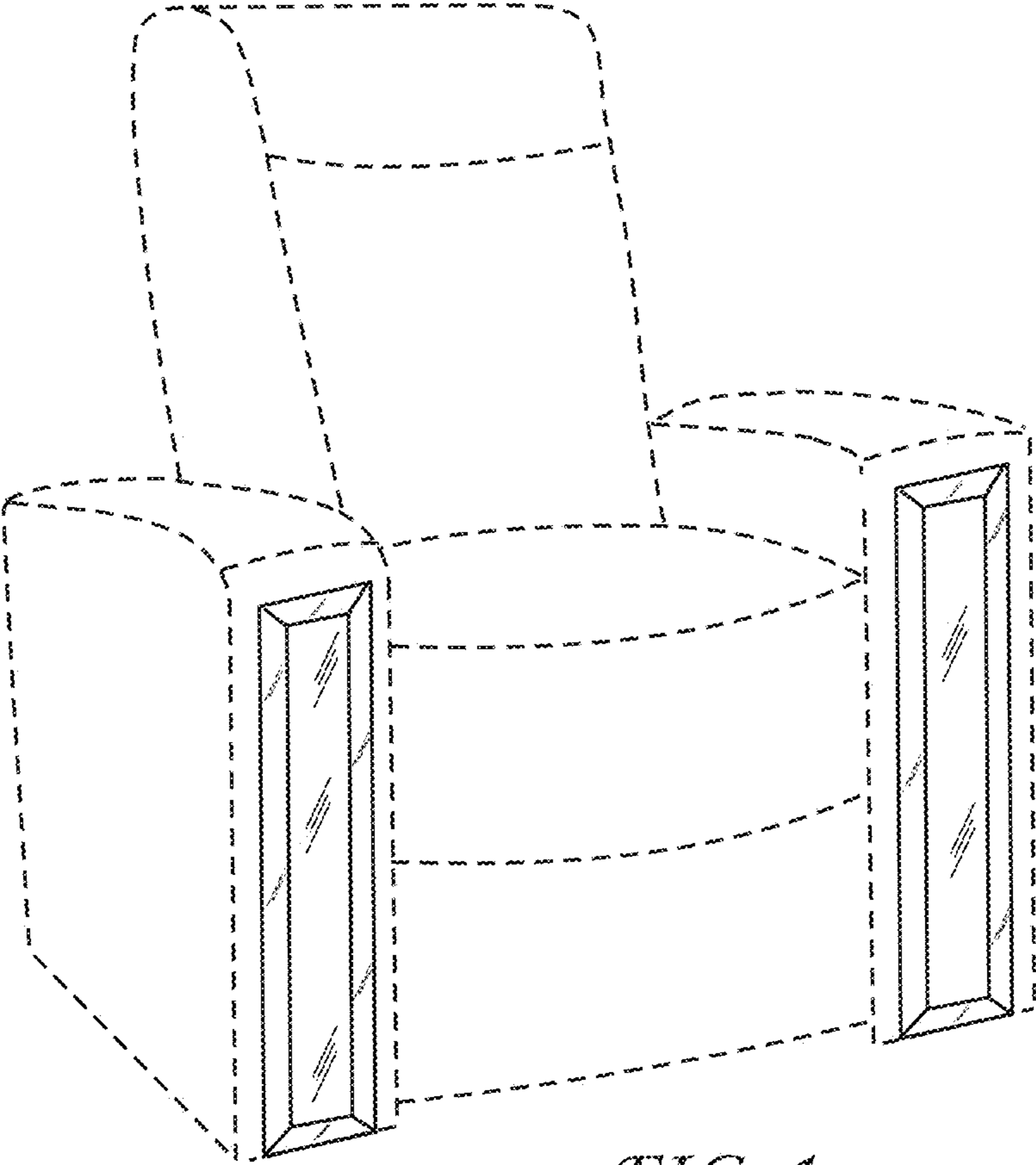


FIG. 1

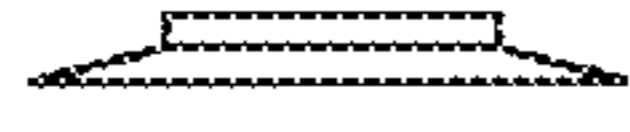


FIG. 5

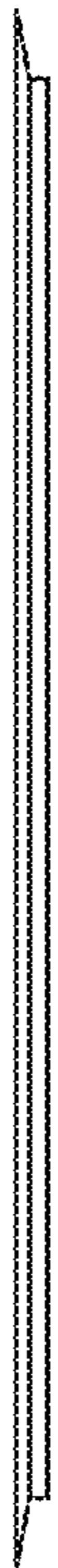


FIG. 4

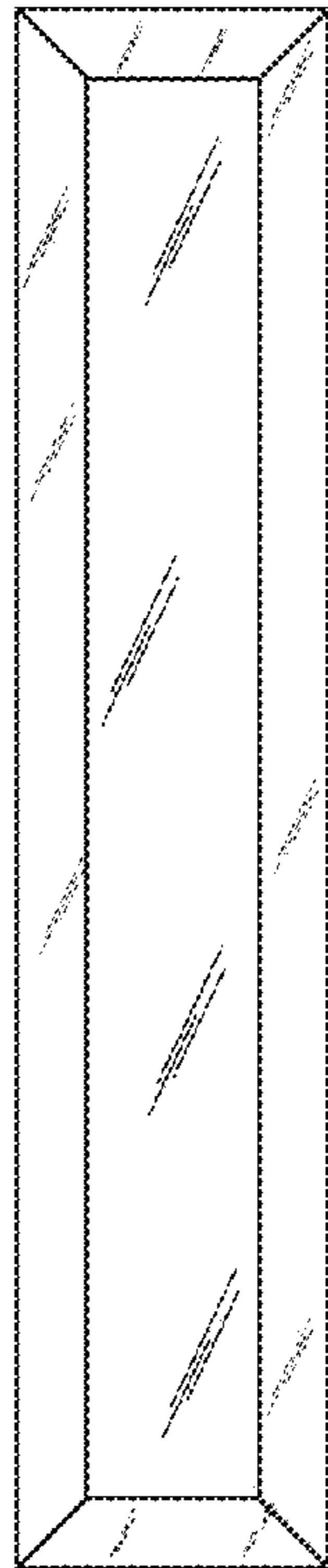


FIG. 2



FIG. 3

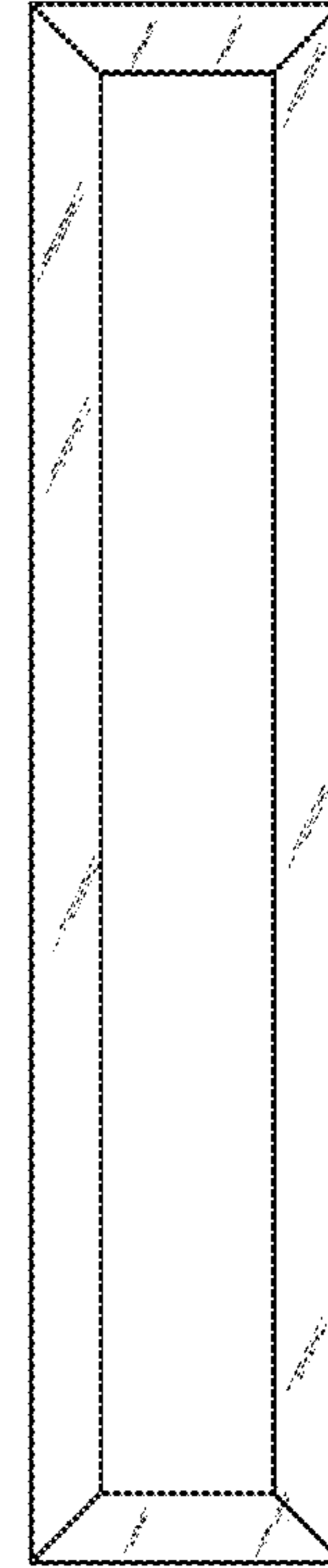


FIG. 7

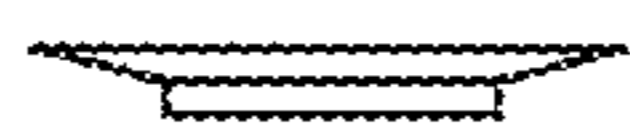


FIG. 6