



US00D899165S

(12) **United States Design Patent**  
**Nakata**

(10) **Patent No.:** **US D899,165 S**

(45) **Date of Patent:** **\*\* Oct. 20, 2020**

(54) **TABLE**

(71) Applicant: **OKAMURA CORPORATION**,  
Yokohama-shi, Kanagawa (JP)

(72) Inventor: **Yoshinori Nakata**, Yokohama (JP)

(73) Assignee: **Okamura Corporation**, Yokohama-shi,  
Kanagawa (JP)

(\*\*) Term: **15 Years**

(21) Appl. No.: **29/643,061**

(22) Filed: **Apr. 4, 2018**

(30) **Foreign Application Priority Data**

Oct. 6, 2017 (JP) ..... 2017-022249

(51) **LOC (12) Cl.** ..... **06-06**

(52) **U.S. Cl.**  
USPC ..... **D6/707.19**

(58) **Field of Classification Search**  
USPC ... D6/641, 642, 656, 656.16, 685, 686, 702,  
D6/403, 707, 707.19; D14/485-495  
CPC ..... A47B 7/00; A47B 13/00; A47B 13/02;  
A47B 13/04; A47B 13/06; A47B 13/08;  
A47B 17/00; A47B 21/00; A47B  
2200/0001; A47B 2200/0011; A47B  
2200/012; A47B 2200/002

See application file for complete search history.

(56) **References Cited**

**U.S. PATENT DOCUMENTS**

D633,517 S *	3/2011	Weir	.....	D14/487
D708,269 S *	7/2014	Moore	.....	D13/119
D737,278 S *	8/2015	Shin	.....	D14/485
D743,996 S *	11/2015	Herold	.....	D14/487
D762,661 S *	8/2016	Mushikabe	.....	D14/485
D763,860 S *	8/2016	Sunshine	.....	D14/485
D764,497 S *	8/2016	Seo	.....	D14/485
D765,674 S *	9/2016	Kim	.....	D14/485

D766,252 S *	9/2016	Miyazaki	.....	D14/485
D789,419 S *	6/2017	Chaudhri	.....	D14/486
D795,892 S *	8/2017	Kim	.....	D14/485
D799,503 S *	10/2017	Kim	.....	D14/485
D812,072 S *	3/2018	Hoffman	.....	D14/485
D835,648 S *	12/2018	Begin	.....	D14/486
D839,878 S *	2/2019	Ishii	.....	D14/485
D861,708 S *	10/2019	Gibson	.....	D14/485
D864,978 S *	10/2019	Nakamura	.....	D14/485

**OTHER PUBLICATIONS**

Design No. D1608457, Application No. DD2017-22249, filed on Oct. 6, 2017—Japan Patent Office (JP) Publication Date—Jul. 9, 2018 Owner—Okamura Corporation, Creator—Takanori Nakata J-PlatPat, <https://www.j-platpat.inpit.go.jp/d0200>.\*

\* cited by examiner

*Primary Examiner* — Mary Ann Calabrese

(74) *Attorney, Agent, or Firm* — Sughrue Mion, PLLC

(57) **CLAIM**

The ornamental design for a table, as shown and described.

**DESCRIPTION**

FIG. 1 is a perspective view of a table.  
FIG. 2 is a front elevation view thereof.  
FIG. 3 is a right side elevation view thereof. A left side elevation view is identical to the right side elevation view.  
FIG. 4 is a top plan view thereof.  
FIG. 5 is a bottom plan view thereof.  
FIG. 6 is an enlarged top plan view taken from the area 6-6' in FIG. 4.  
FIG. 7 is a perspective view thereof, shown in an alternate stand-by state.  
FIG. 8 is a top plan view thereof; and,  
FIG. 9 is an enlarged top plan view taken from the area 9-9' in FIG. 8.  
The broken lines shown in the drawings illustrate portions of the table that form no part of the claimed design.

**1 Claim, 9 Drawing Sheets**

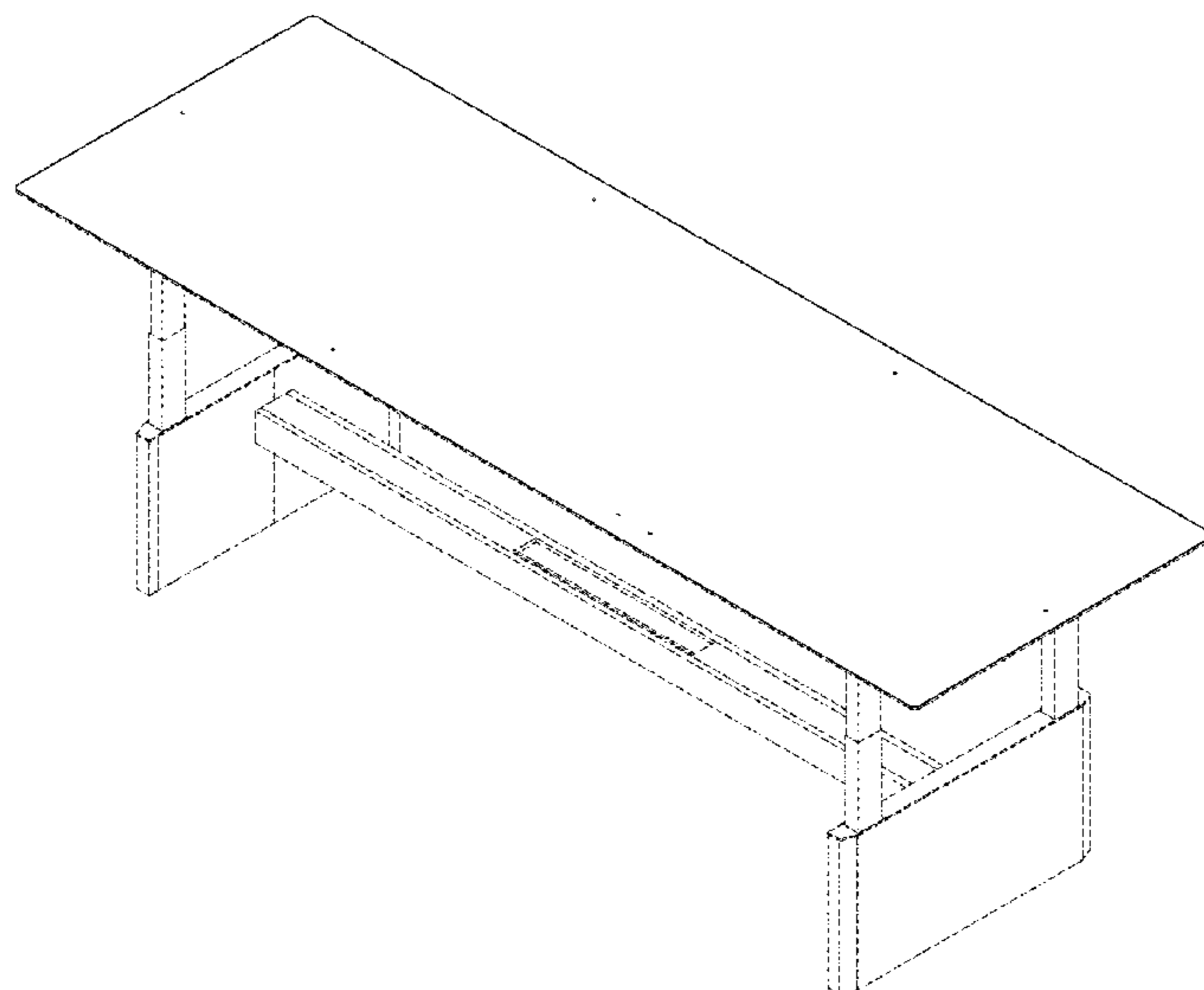


FIG. 1

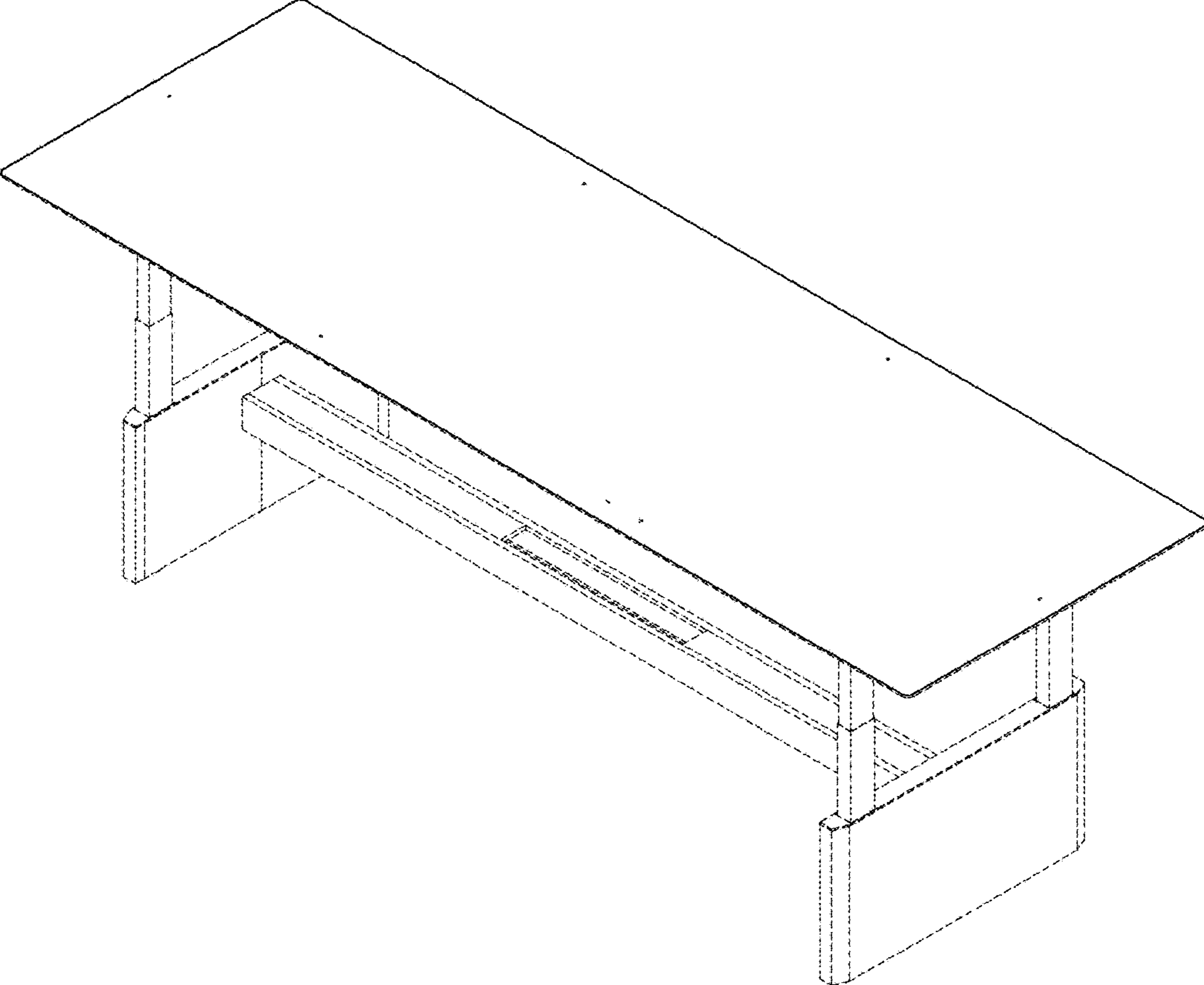


FIG. 2

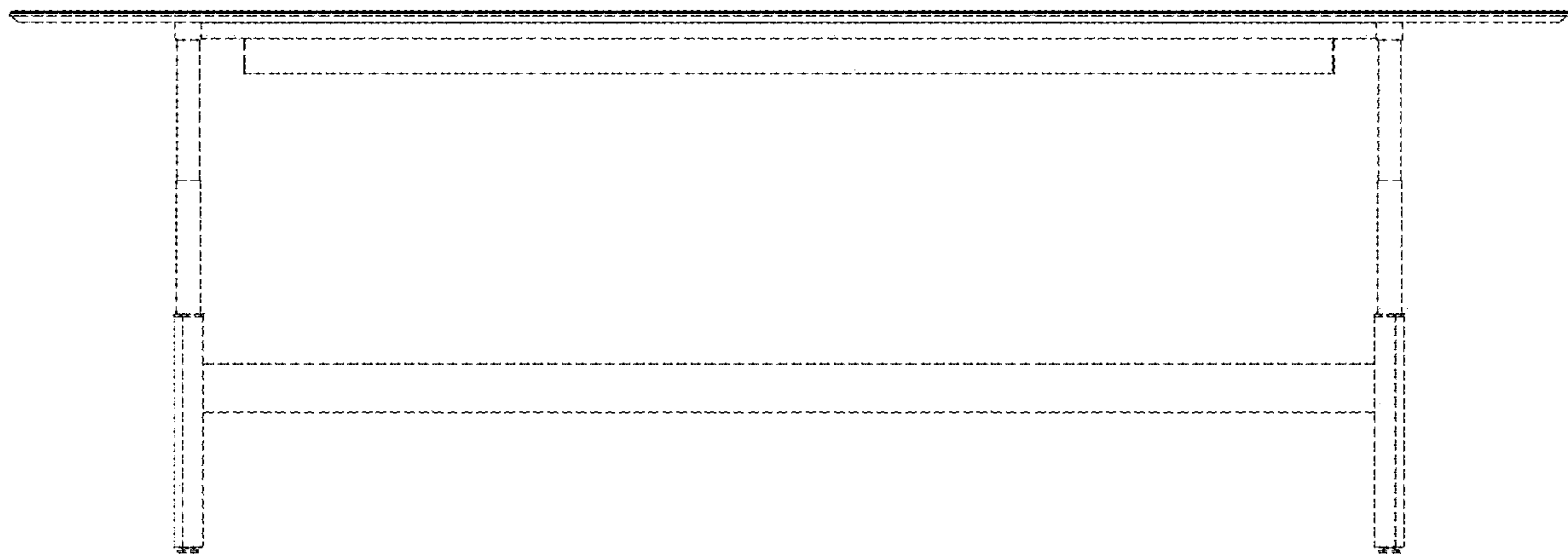


FIG. 3

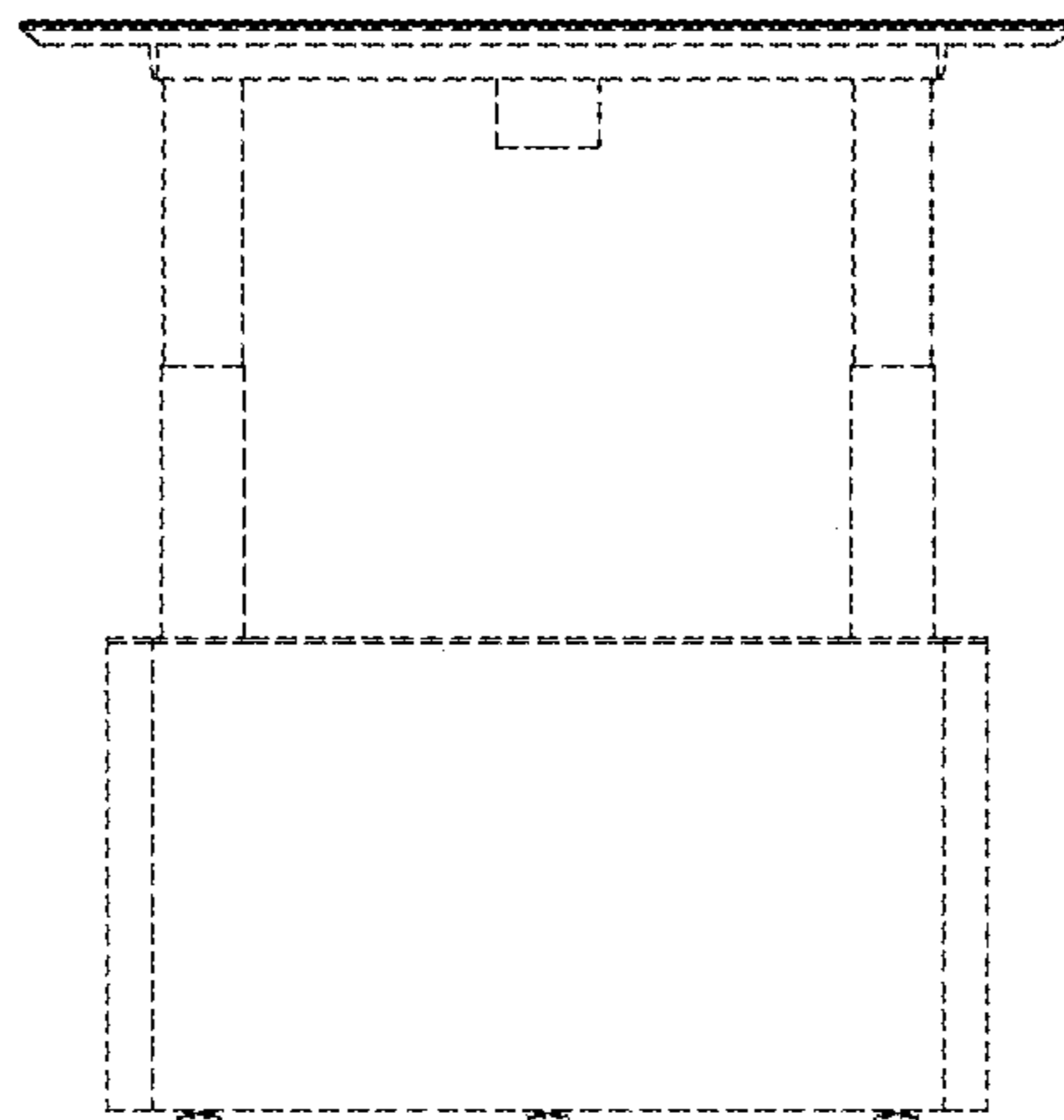


FIG. 4

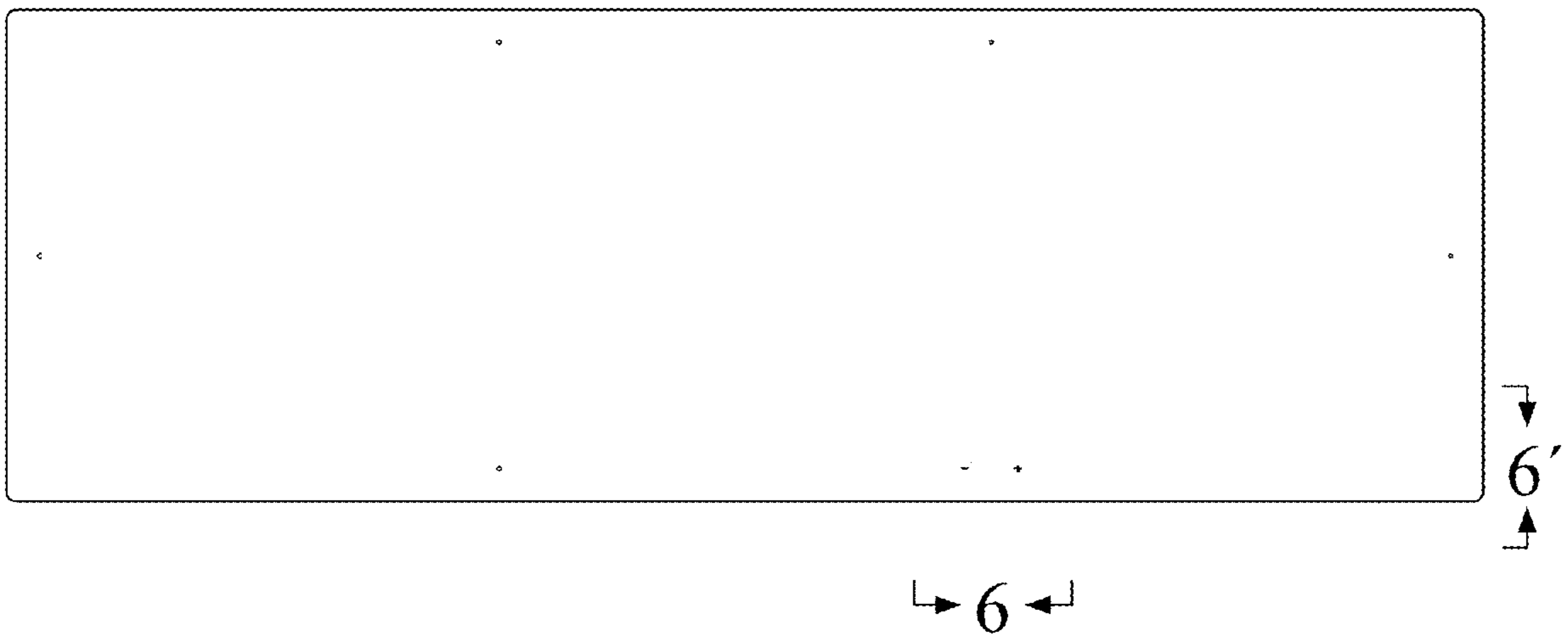


FIG. 5

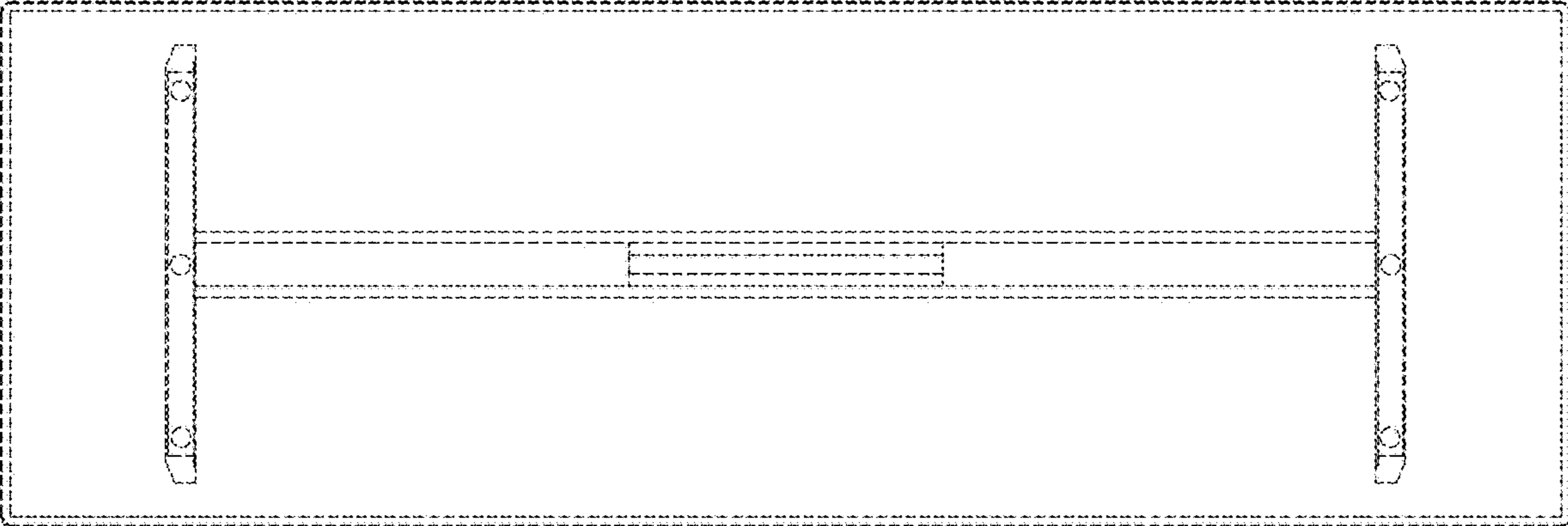


FIG. 6

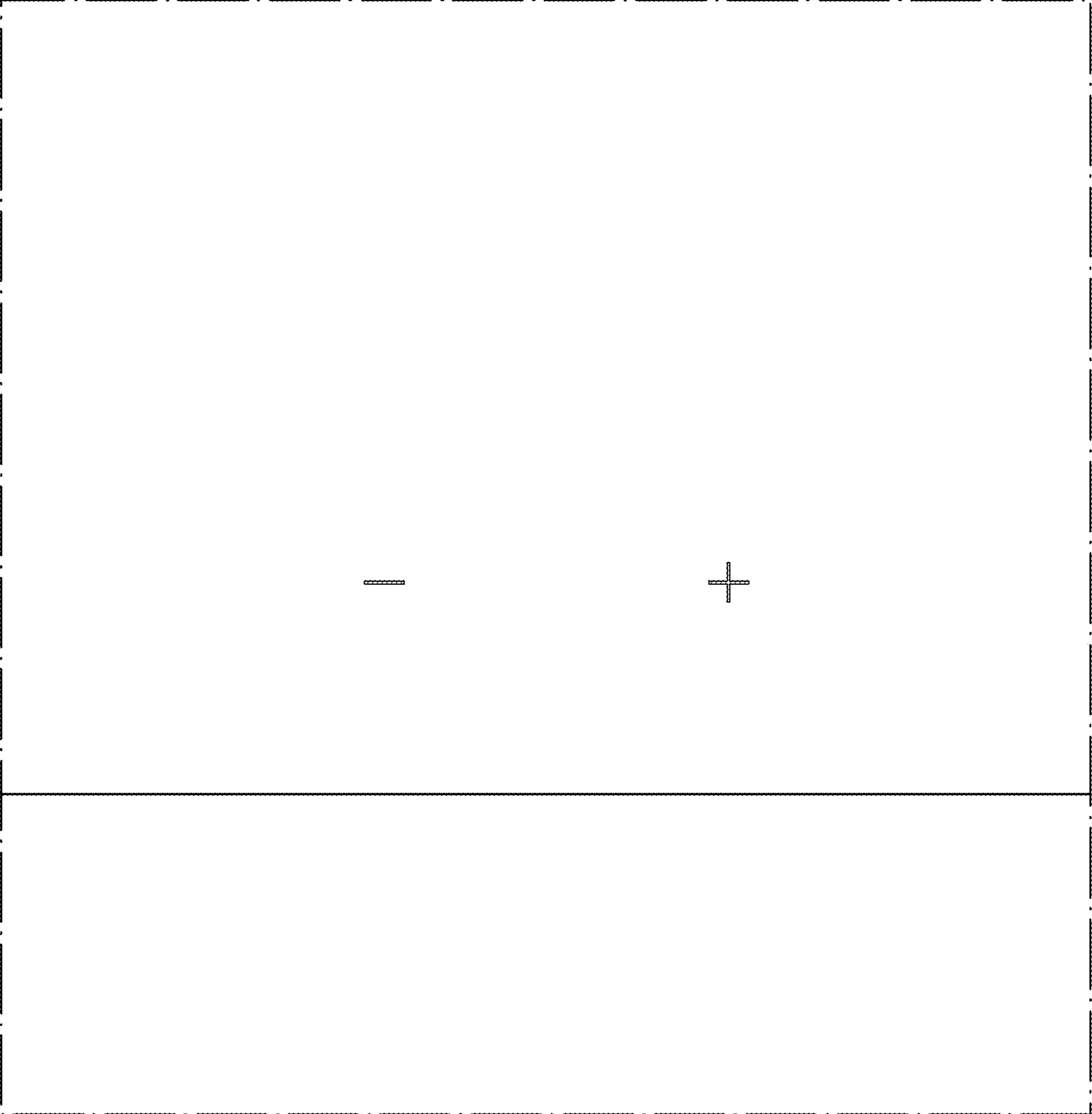


FIG. 7

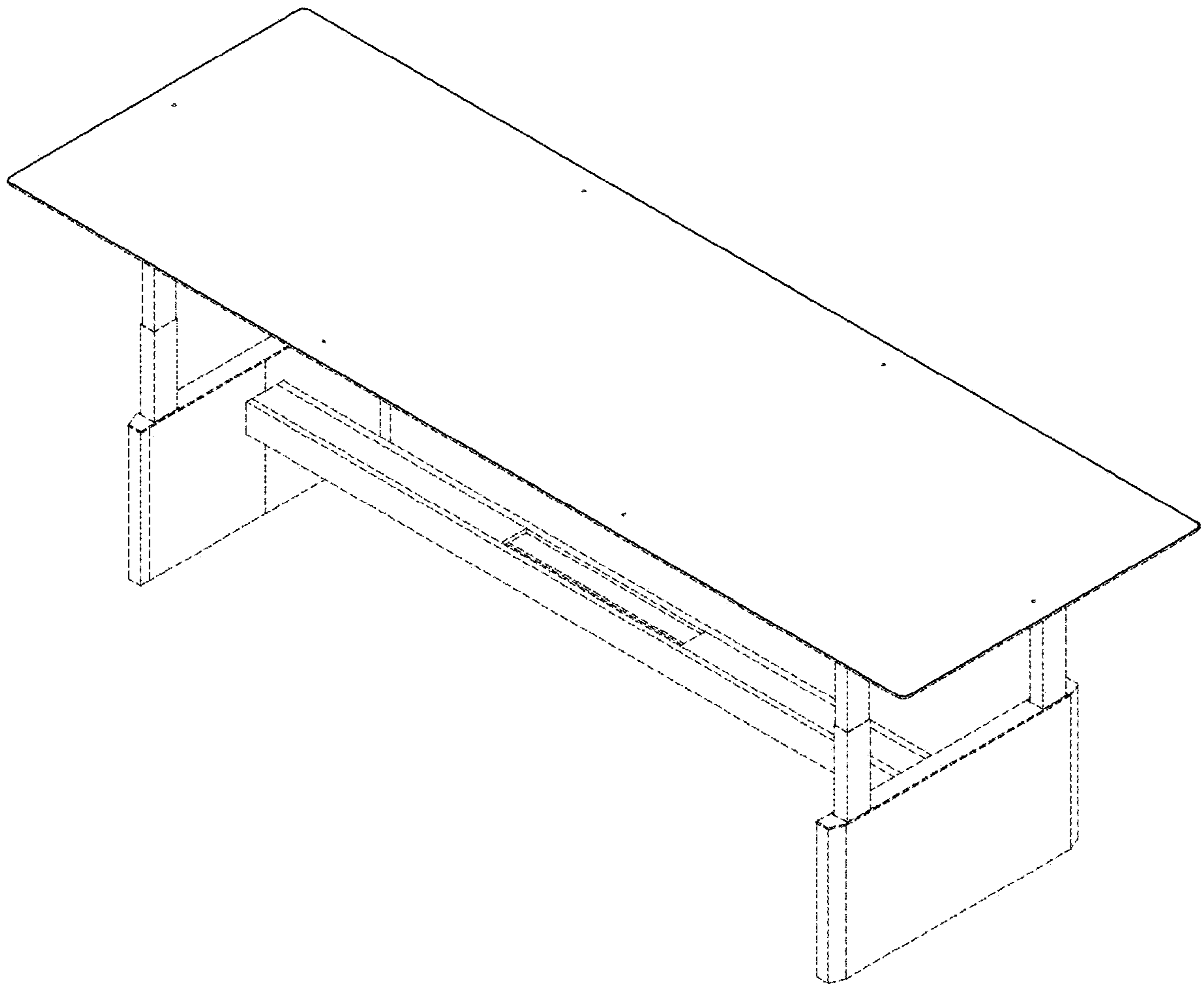




FIG. 8

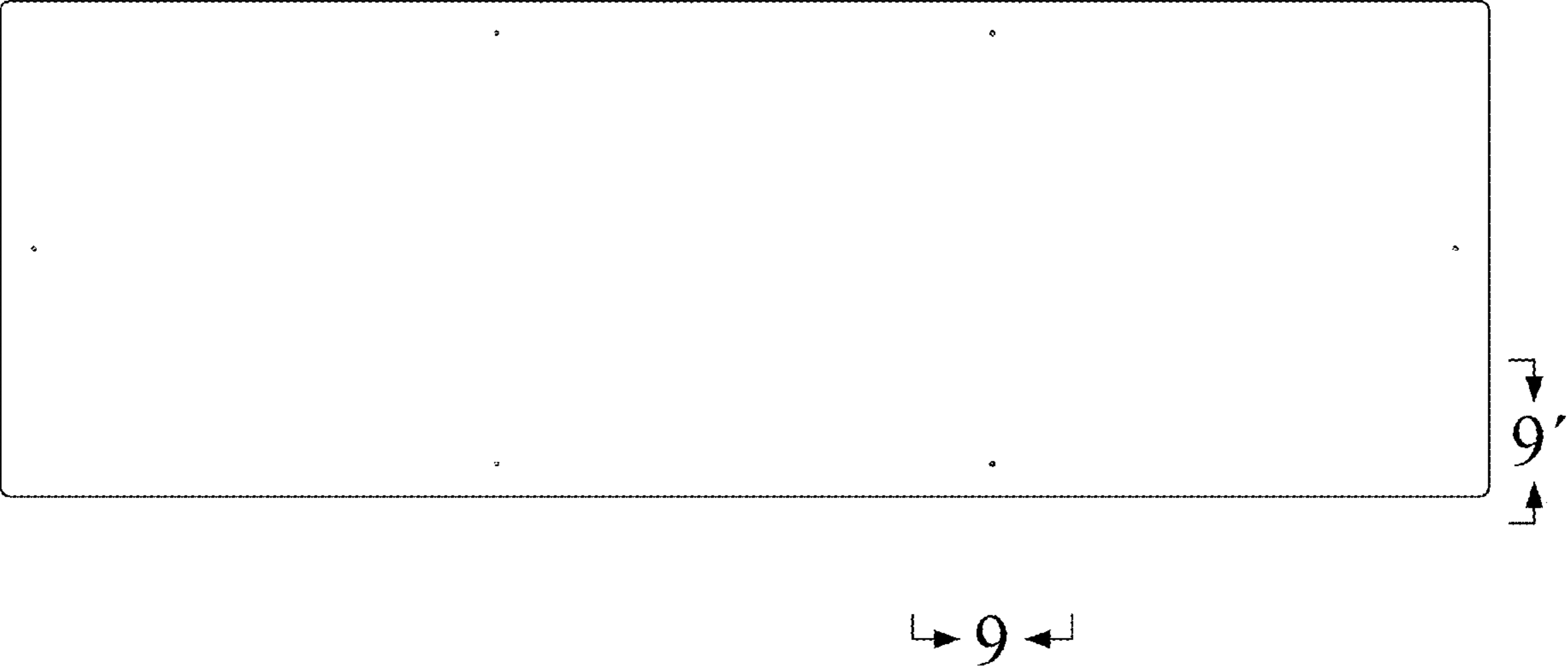


FIG. 9

