



US00D899162S

(12) **United States Design Patent** (10) **Patent No.:** **US D899,162 S**
Kuhls (45) **Date of Patent:** **** Oct. 20, 2020**

- (54) **FOLDING TABLE** D681,973 S * 5/2013 Gibbs D6/686
D782,854 S * 4/2017 Graham A47B 9/08
- (71) Applicant: **TANOS GmbH Verpacken Ordnen** D856,047 S * 8/2019 Graham B60N 3/001
Präsentieren, Illertissen (DE) D6/686
- (72) Inventor: **Timo Kuhls, Stuttgart (DE)** 2015/0097012 A1* 4/2015 Graham B60N 3/001
224/539
- (73) Assignee: **TANOS GMBH VERPACKEN** 2016/0157603 A1* 6/2016 Graham A47B 37/00
ORDNEN PRÄSENTIEREN, 108/44
Illertissen (DE) 2016/0213146 A1* 7/2016 Gosling A47B 9/12
2018/0072208 A1* 3/2018 Howe A47B 13/083

(**) Term: **15 Years**

* cited by examiner

(21) Appl. No.: **29/671,681**

Primary Examiner — Mary Ann Calabrese

(22) Filed: **Nov. 29, 2018**

(74) *Attorney, Agent, or Firm* — Hoffmann & Baron, LLP

(30) **Foreign Application Priority Data**

Jun. 1, 2018 (WO) 7709501

(51) **LOC (12) Cl.** **06-03**

(52) **U.S. Cl.**
USPC **D6/686**

(58) **Field of Classification Search**
USPC D6/685, 686, 691, 691.1–691.9
CPC .. A47B 3/00; A47B 3/002; A47B 3/02; A47B
3/08; A47B 3/0812; A47B 3/0818; A47B
3/083; A47B 3/0912; A47B 2003/006;
A47B 2003/008; A47B 2003/025; A47B
2003/0821; A47B 5/00; A47B 7/00; A47B
13/00; A47B 13/02; A47B 13/04; A47B
13/06; A47B 13/08; A47B 21/00; B60R
9/02

See application file for complete search history.

(56) **References Cited**

U.S. PATENT DOCUMENTS

- 2,794,695 A * 6/1957 Heal A47B 9/08
108/146
- 3,635,432 A * 1/1972 Hollander A47B 5/06
248/188.6

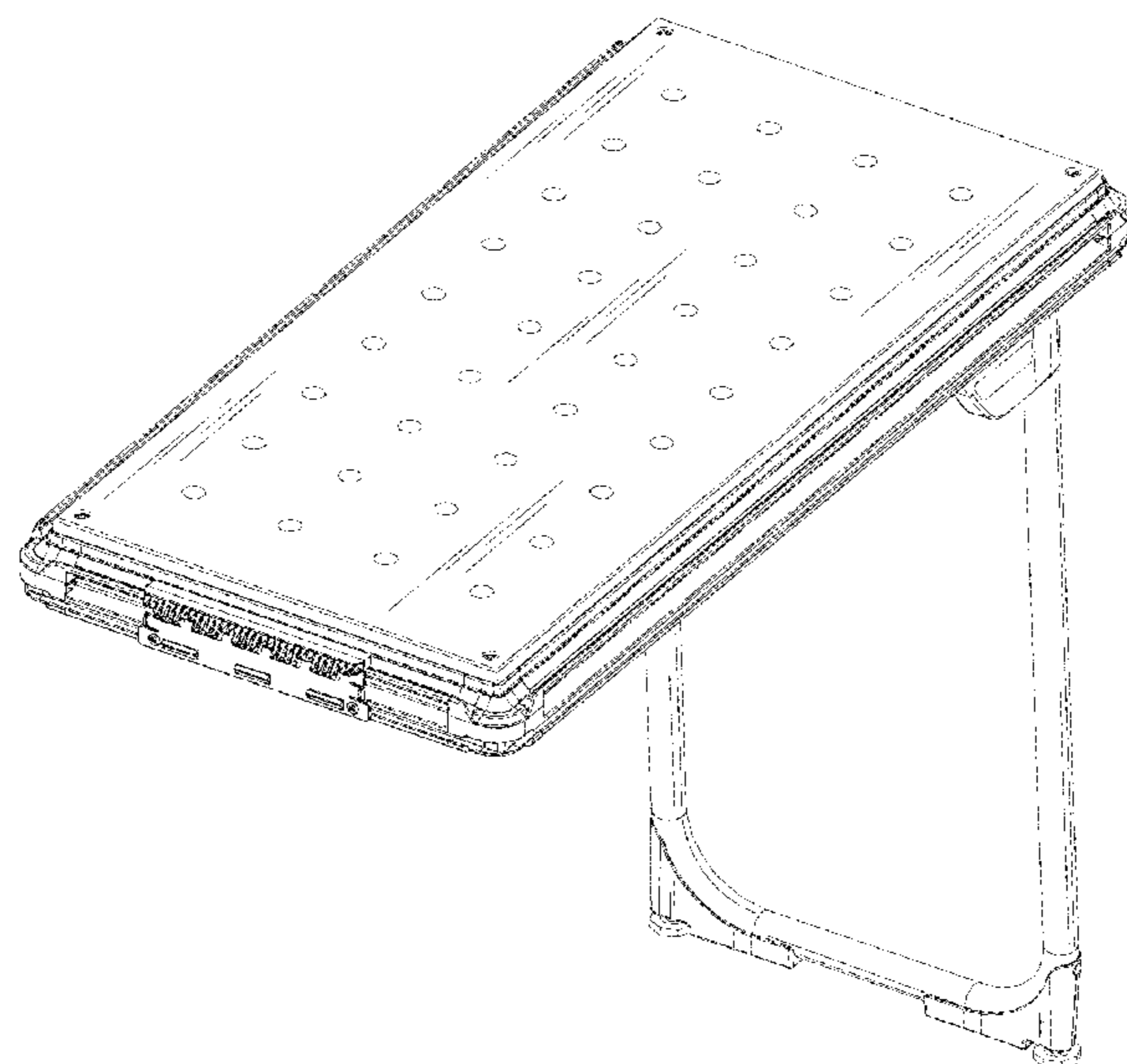
(57) **CLAIM**

The ornamental design for a folding table, as shown and described.

DESCRIPTION

FIG. 1 is a top perspective view of a folding table showing my new design;
 FIG. 2 is a front view thereof;
 FIG. 3 is a rear view thereof;
 FIG. 4 is a left side view thereof;
 FIG. 5 is a right side view thereof;
 FIG. 6 is a top plan view thereof; and,
 FIG. 7 is a bottom plan view thereof.

1 Claim, 7 Drawing Sheets



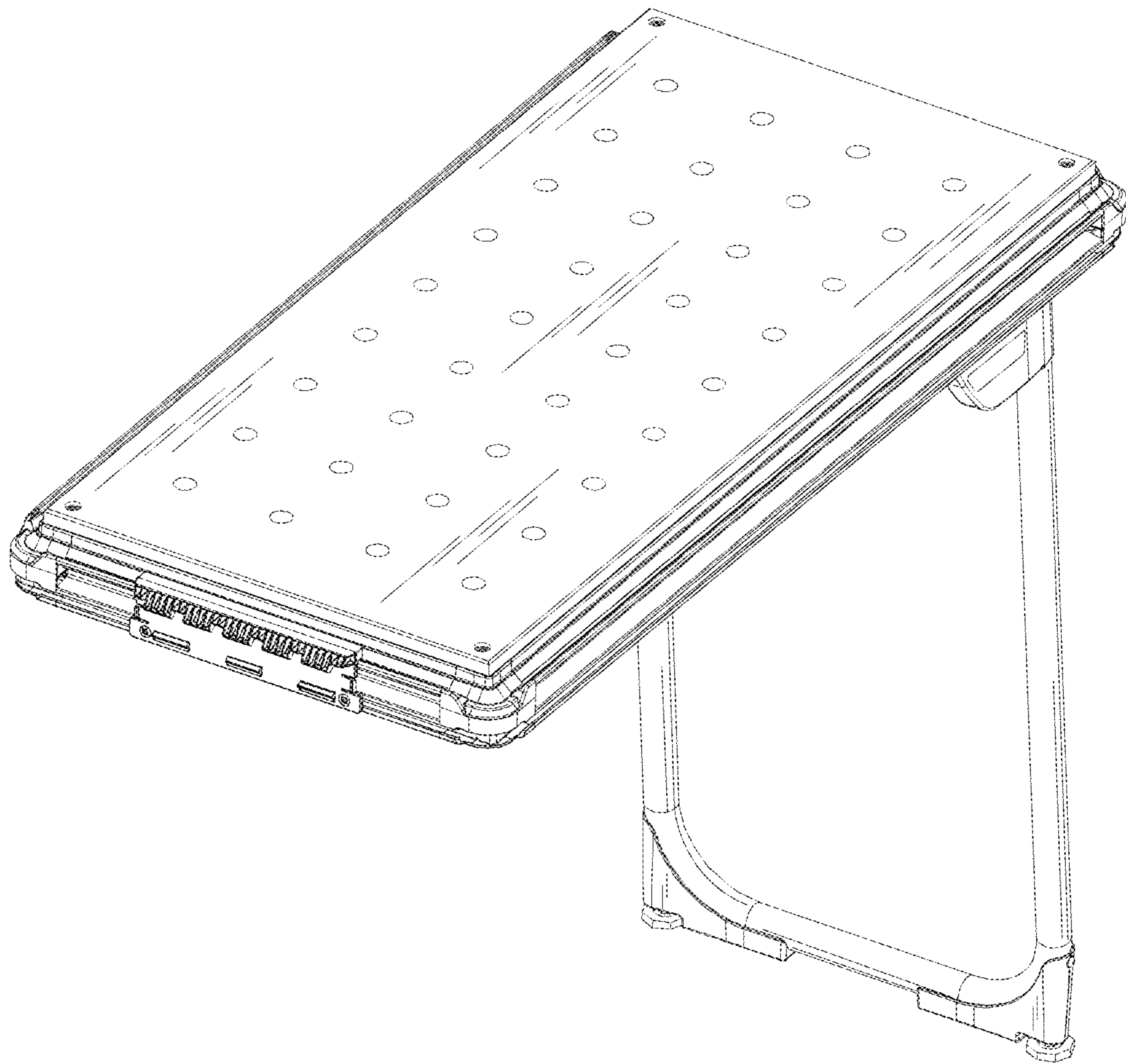


FIG. 1

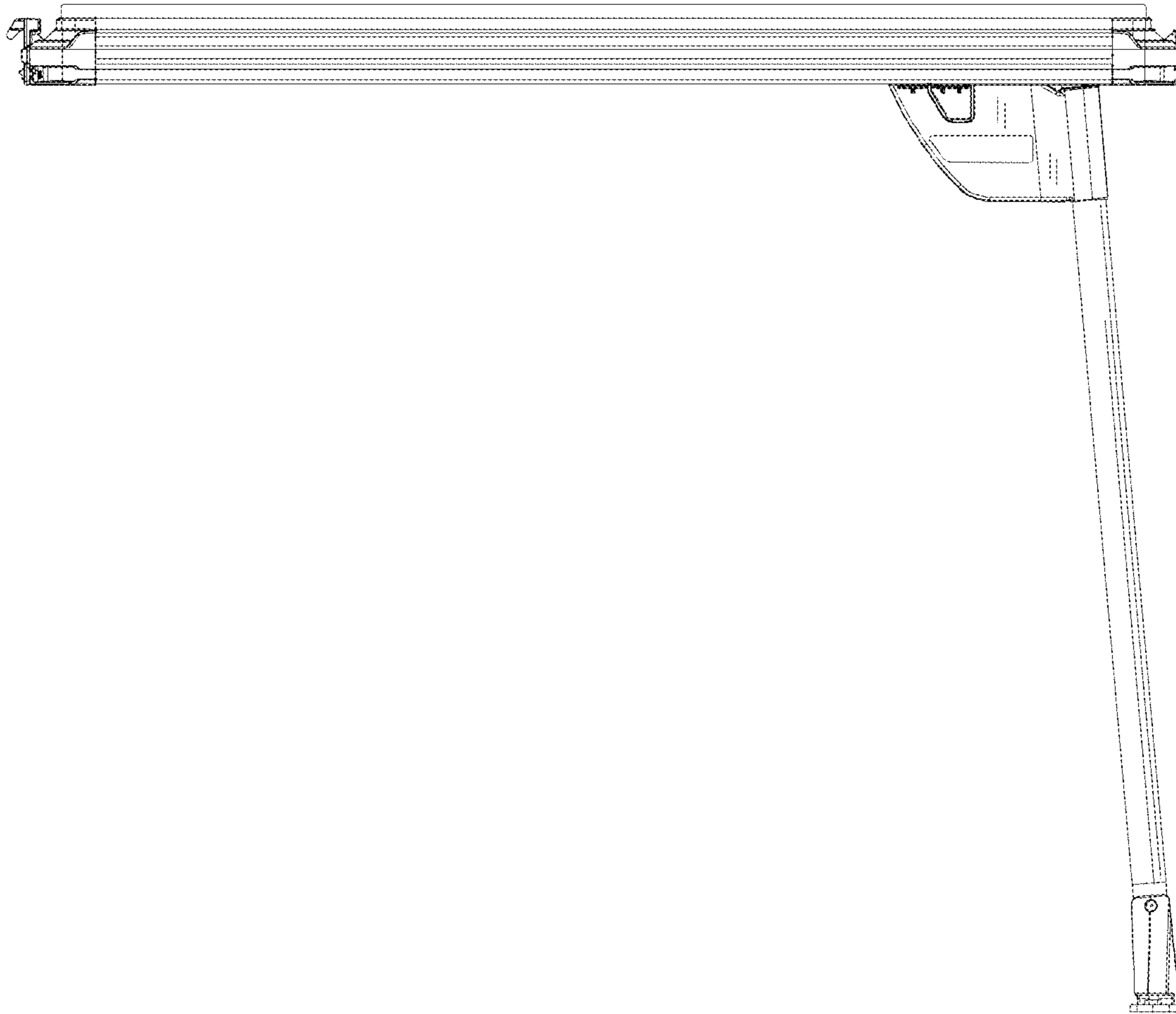


FIG. 2

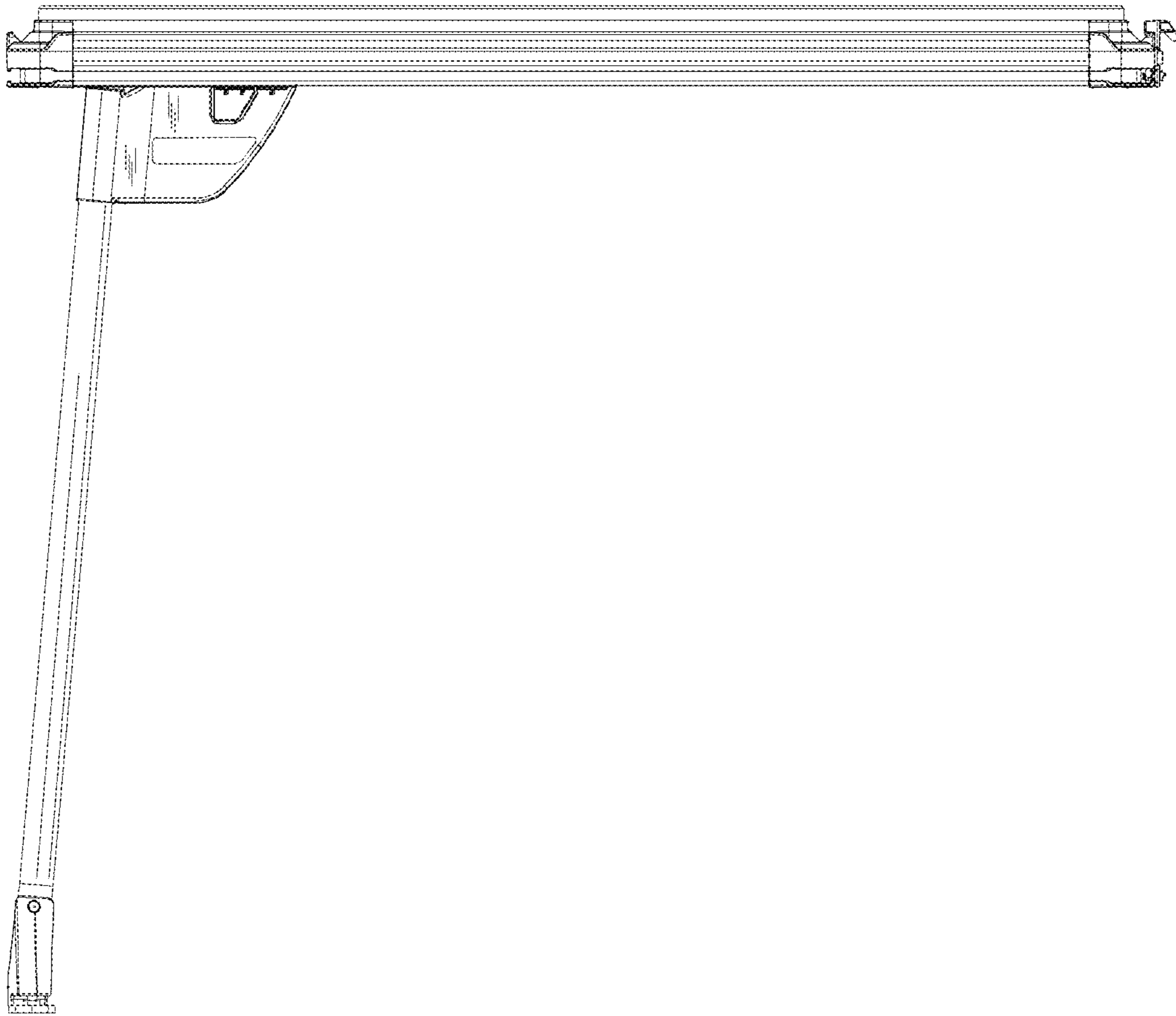


FIG. 3

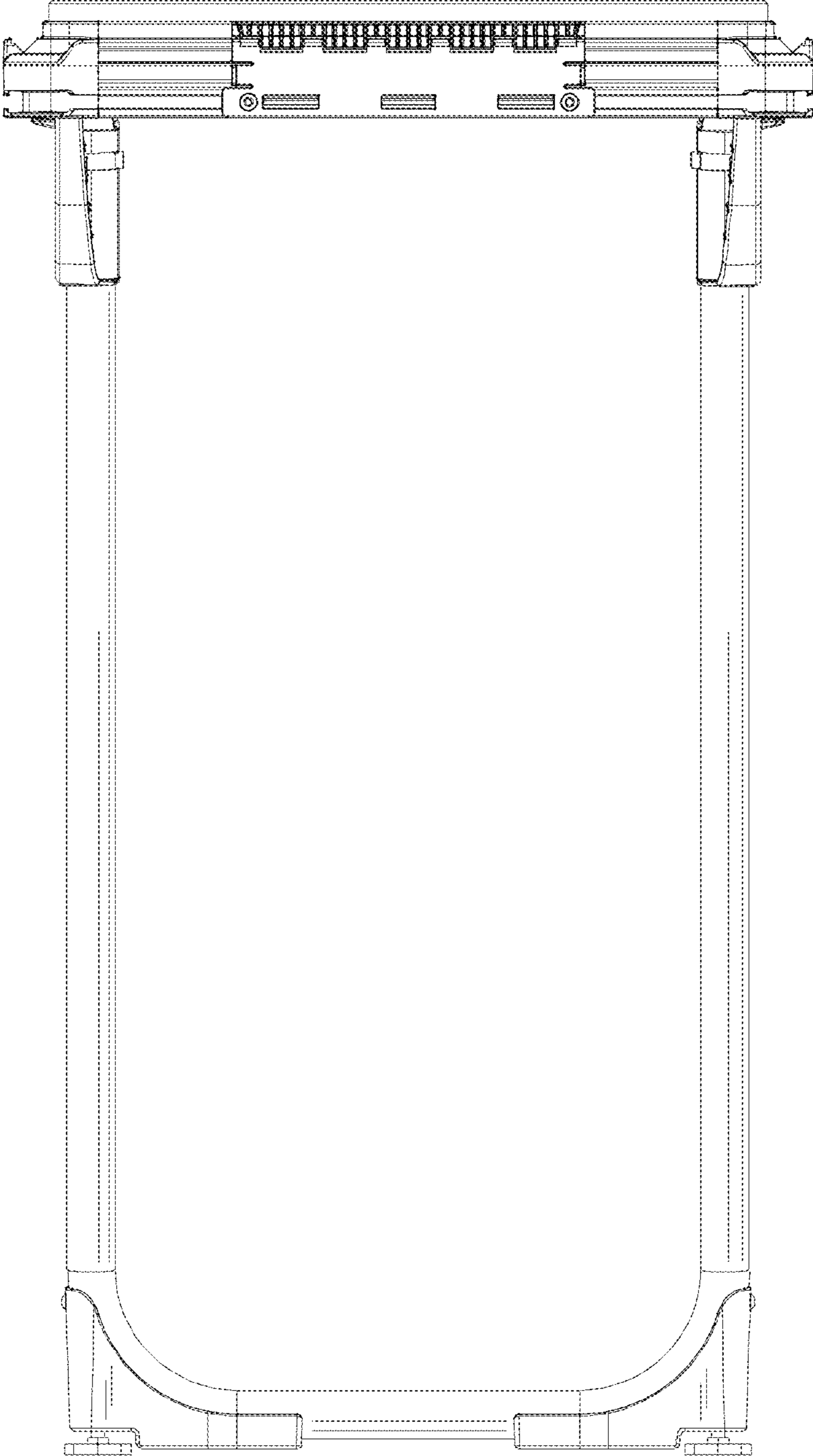


FIG. 4

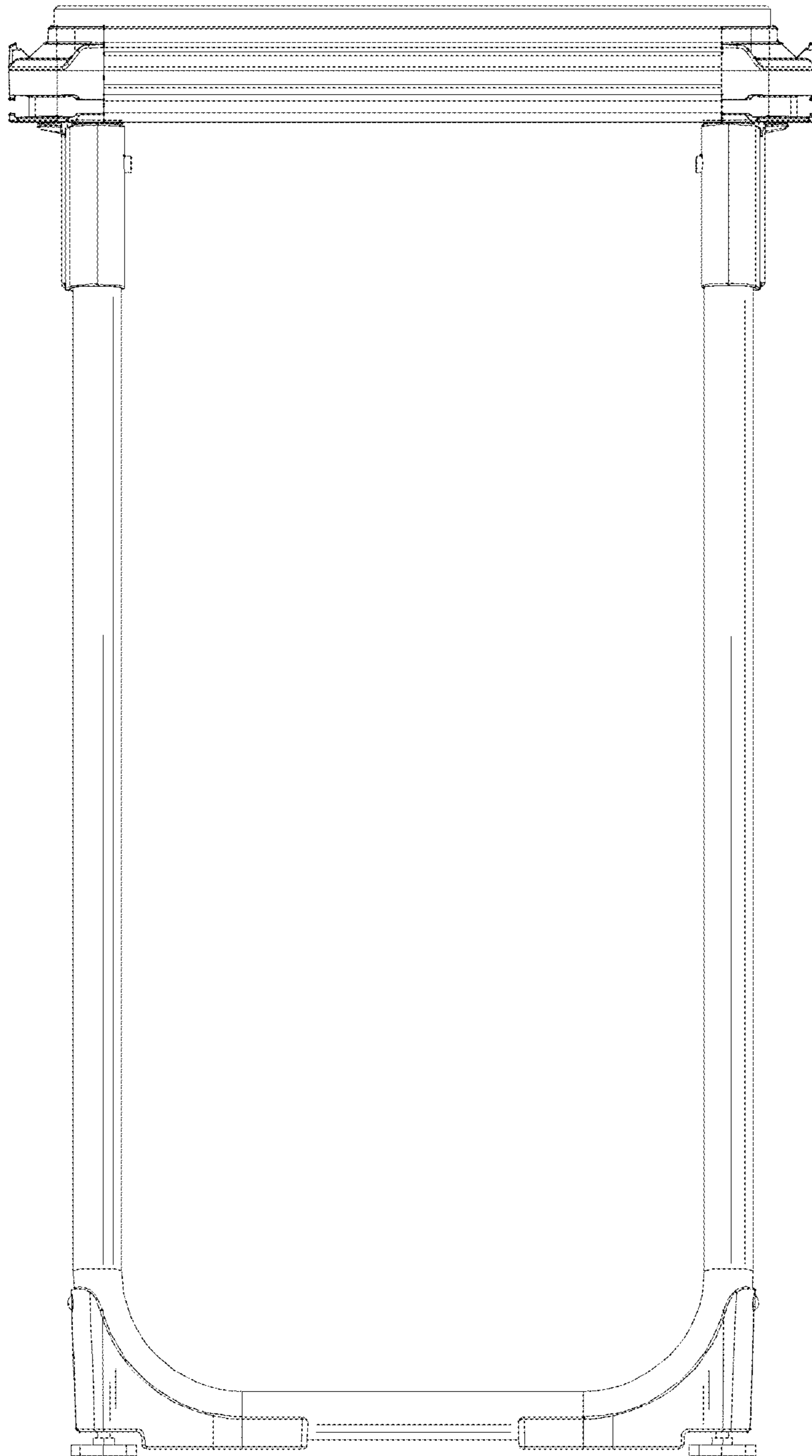


FIG. 5

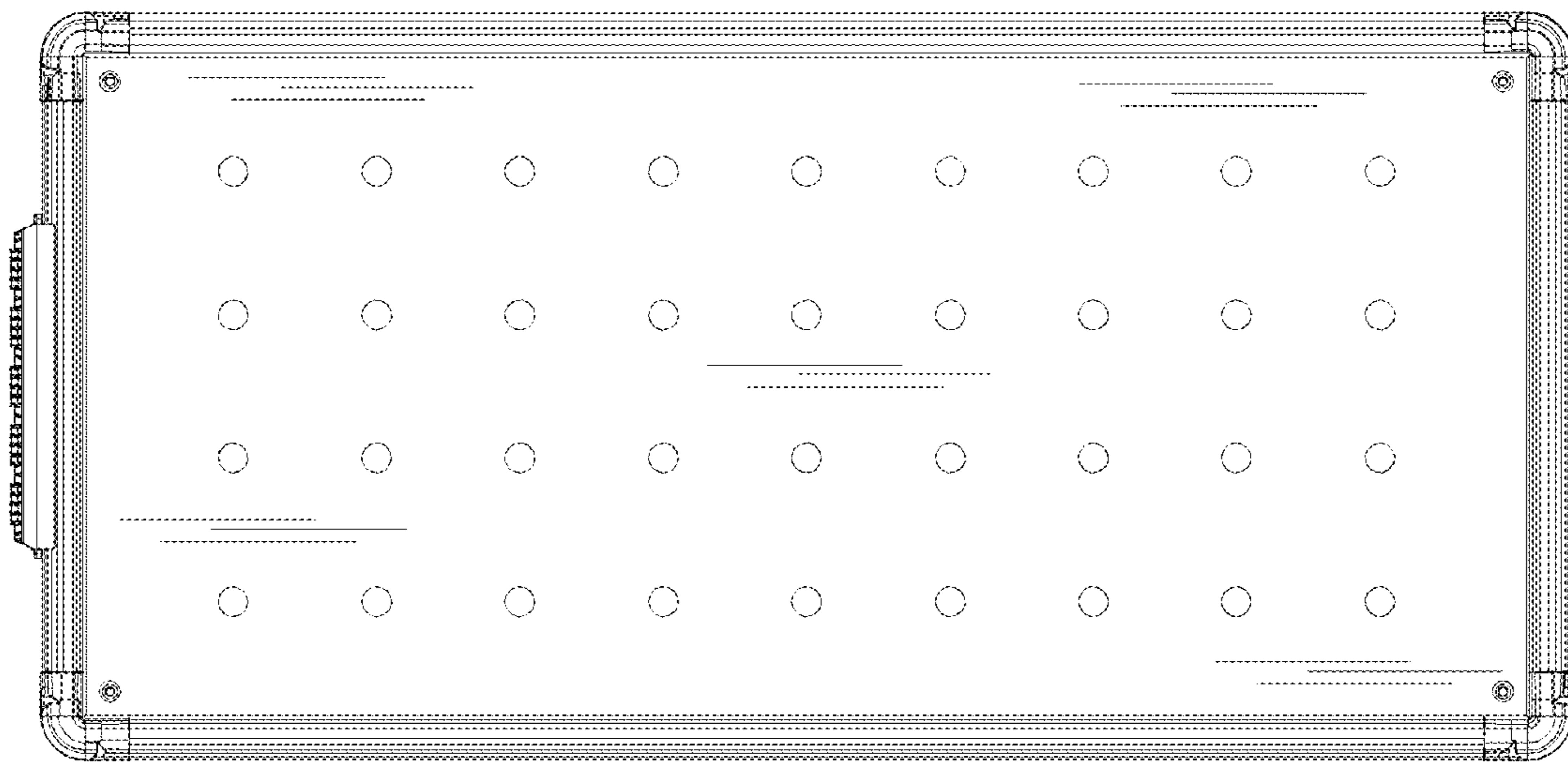


FIG. 6

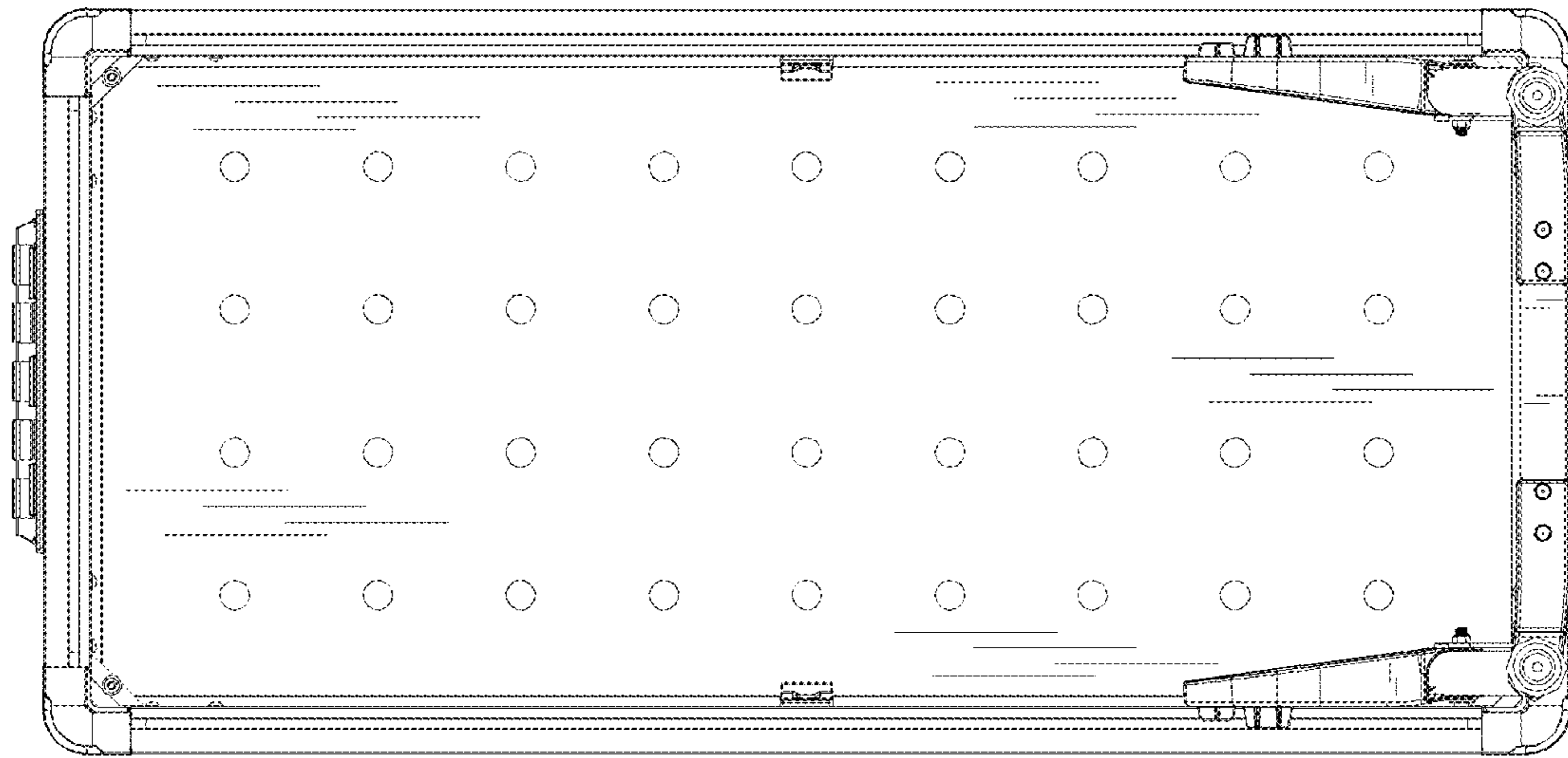


FIG. 7