



US00D899159S

(12) **United States Design Patent**  
**Dart et al.**

(10) **Patent No.:** **US D899,159 S**  
(45) **Date of Patent:** **\*\* Oct. 20, 2020**

- (54) **ADJUSTABLE SHELF**
- (71) Applicant: **Dedee R. Dart**, Mapleton, UT (US)
- (72) Inventors: **Dedee R. Dart**, Mapleton, UT (US);  
**Bart Storrs**, Highland, UT (US)
- (73) Assignee: **Dedee Dart**, Mapleton, UT (US)
- (\*\*) Term: **15 Years**
- (21) Appl. No.: **29/694,111**
- (22) Filed: **Jun. 7, 2019**

2,657,810 A	11/1953	Garrick
3,441,146 A	4/1969	Summers
3,919,950 A	11/1975	Frazelle et al.
4,025,137 A	5/1977	Wylar
4,036,369 A	7/1977	Eisenberg
4,155,312 A	5/1979	Thorkildson
4,286,525 A	9/1981	Willmore
4,469,231 A	9/1984	Hehn
4,500,146 A	2/1985	Peterson
4,713,949 A	12/1987	Wilcox
4,760,800 A	8/1988	Hanson
4,975,997 A	12/1990	Misiura et al.
D332,717 S	1/1993	Wolfe, III
5,291,700 A	3/1994	Chew
5,339,747 A	8/1994	Epps
5,415,472 A	5/1995	Brise
5,478,145 A	12/1995	Kamachi
D372,822 S	8/1996	O'Brien
5,564,962 A	10/1996	Navarrete Espinosa
5,595,126 A	1/1997	Yeh
5,628,257 A	5/1997	Conner et al.

**Related U.S. Application Data**

- (63) Continuation of application No. 29/689,053, filed on Apr. 26, 2019.
- (51) **LOC (12) Cl.** ..... **06-06**
- (52) **U.S. Cl.**  
USPC ..... **D6/678**
- (58) **Field of Classification Search**  
USPC ..... D6/406.1–406.5, 654, 654.1, 685, 678,  
D6/678.1, 704, 705, 705.1, 707;  
D19/90–92, 22  
CPC ..... A47B 5/0018; A47B 5/0043; A47B 5/10;  
A47B 7/00; A47B 5/0081  
See application file for complete search history.

**References Cited**

**U.S. PATENT DOCUMENTS**

1,043,950 A	11/1912	Martin
1,747,628 A	2/1930	Hagel
2,023,901 A	12/1935	Rhodes
2,122,336 A	6/1938	Berry
2,216,621 A	10/1940	Mackinga
2,347,821 A	5/1944	Goldner
2,427,767 A	9/1947	Drake
2,643,931 A	7/1949	Anderson
2,520,490 A	8/1950	Boward

(Continued)

*Primary Examiner* — Kelley A Donnelly

(74) *Attorney, Agent, or Firm* — Morriss O'Bryant  
Compagni Cannon, PLLC

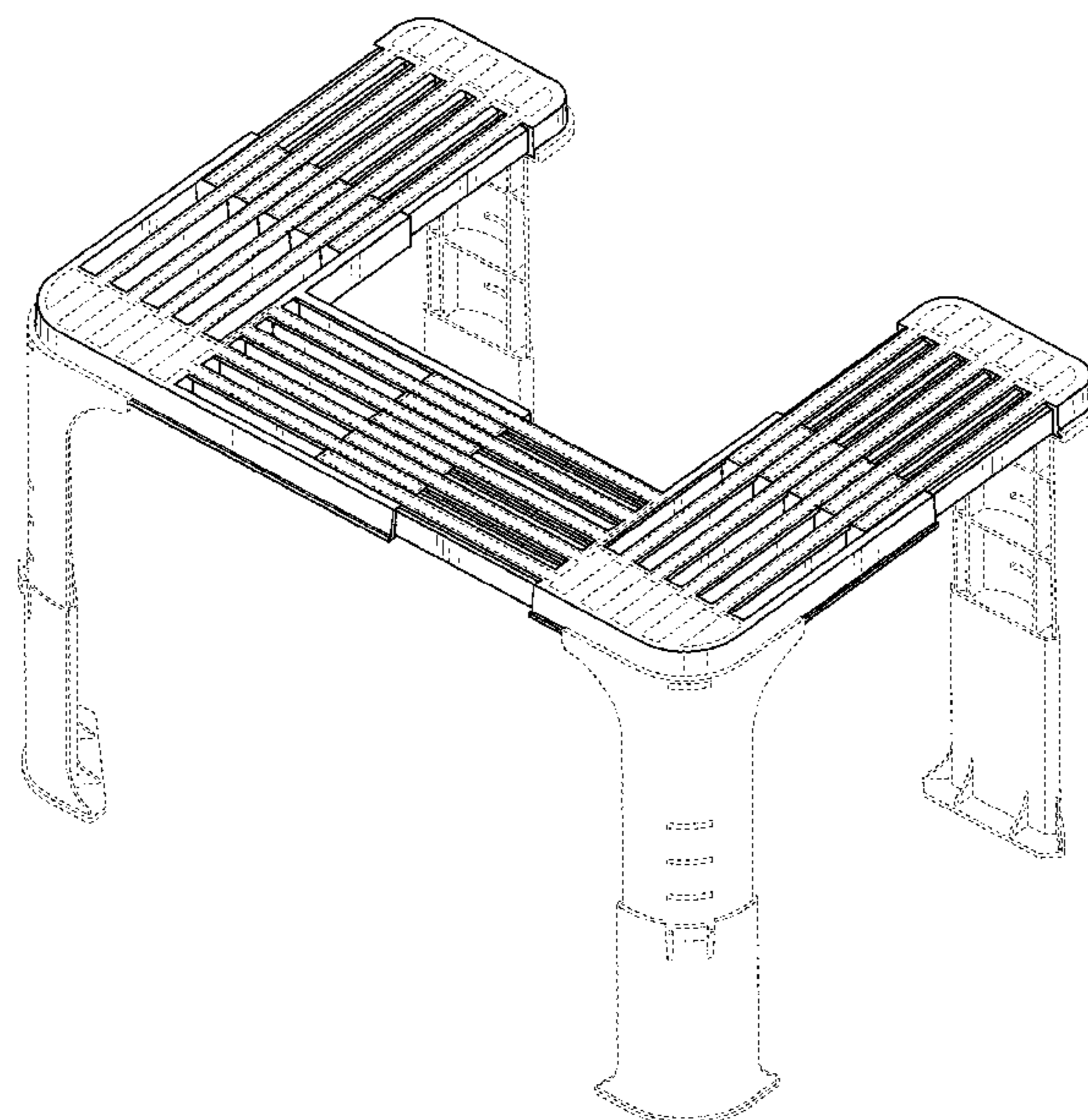
(57) **CLAIM**

The ornamental design for the adjustable shelf, as shown and described.

**DESCRIPTION**

FIG. 1 is a perspective view of the present invention; FIG. 2 is a front side view of the present invention; FIG. 3 is a back side view of the present invention; FIG. 4 is a left side view of the present invention; FIG. 5 is a right side view of the present invention; FIG. 6 is a top side view of the present invention; and, FIG. 7 is a bottom side view of the present invention. The broken lines shown in the drawings form no part of the claimed design.

**1 Claim, 4 Drawing Sheets**



(56)

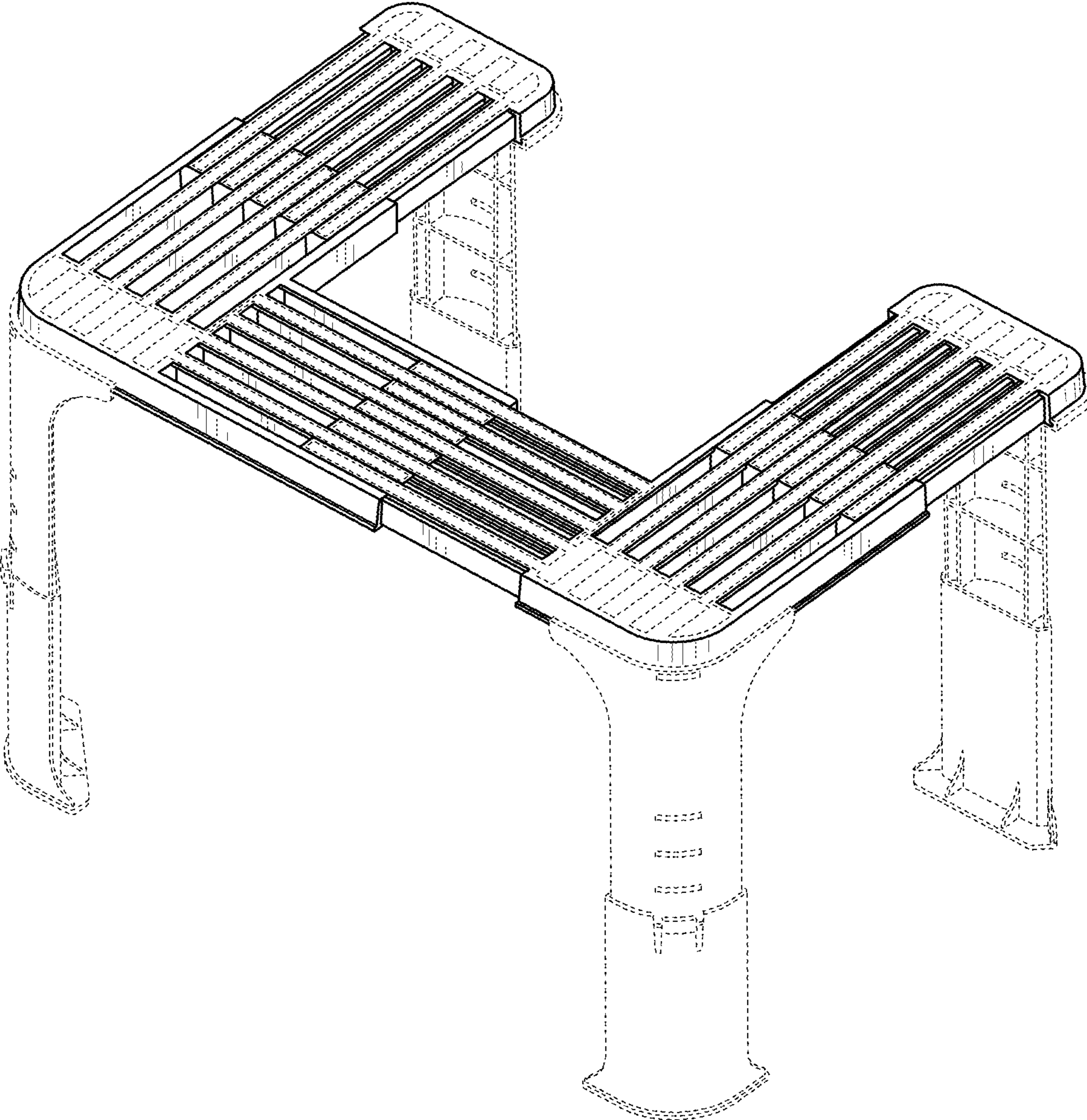
References Cited

U.S. PATENT DOCUMENTS

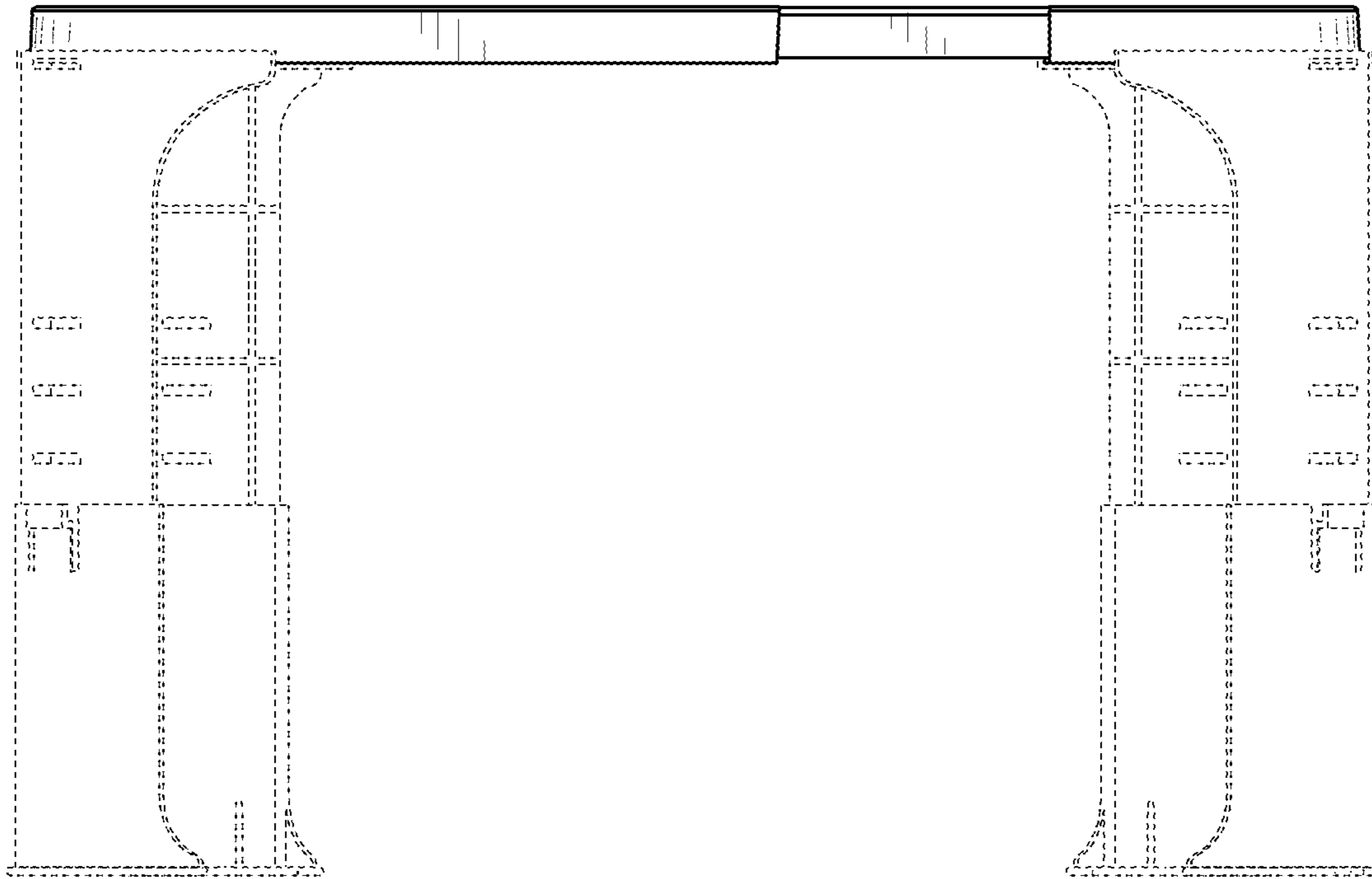
D393,316 S	4/1998	Simon	D678,887 S	3/2013	Stravitz
D398,458 S	9/1998	Martell	D691,404 S	10/2013	Baum
5,964,360 A	10/1999	Hwang	D696,540 S	12/2013	Dart et al.
5,971,165 A	10/1999	Levins	D698,163 S	1/2014	Edwards
6,019,331 A	2/2000	Hoogland et al.	D710,980 S	8/2014	Pollard, Jr.
6,036,286 A	3/2000	Krumholz	D716,065 S	10/2014	Hubbard, Jr.
D423,840 S	5/2000	Carville et al.	9,010,552 B2	4/2015	Dart et al.
6,085,668 A	7/2000	Kanki	D746,087 S	12/2015	Dart et al.
6,142,316 A	11/2000	Harbour et al.	9,198,513 B2	12/2015	Dart et al.
D443,434 S	6/2001	Tinsley	9,220,341 B2	12/2015	Dart et al.
6,450,349 B2	9/2002	Lee	D778,648 S	2/2017	Johnson et al.
D474,920 S	5/2003	Holt	9,717,337 B2	8/2017	Dart et al.
6,591,762 B1	7/2003	Haghayegh	D834,862 S	12/2018	Dart et al.
6,623,956 B1	9/2003	Cecchi et al.	2001/0052505 A1	12/2001	Lee
6,874,646 B2	4/2005	Jay	2004/0094143 A1	5/2004	Bartley
D510,821 S	10/2005	Madison	2004/0159622 A1	8/2004	Craft et al.
D518,979 S	4/2006	Petitclerc	2004/0164655 A1	8/2004	Wood et al.
7,204,569 B2	4/2007	Walburn	2006/0207957 A1	9/2006	Chen
7,234,604 B2	6/2007	Eisele	2008/0053940 A1	3/2008	Whalen et al.
7,237,686 B2	7/2007	Bertrand et al.	2009/0230070 A1	9/2009	Anderson et al.
D609,500 S	2/2010	Fieldhouse et al.	2010/0264104 A1	10/2010	Winter
D627,989 S	11/2010	Geoffrey	2012/0037583 A1	2/2012	Wise
D629,222 S	12/2010	Kay	2012/0180302 A1	7/2012	Lopez, Jr.
D629,627 S	12/2010	Mylet	2012/0223038 A1	9/2012	Bean
D630,459 S	1/2011	Millspaugh	2015/0068999 A1	3/2015	Dart et al.
7,987,799 B2	8/2011	Lange et al.	2016/0106210 A1*	4/2016	Kassanoff ..... A47B 41/04 108/25
D652,222 S	1/2012	Edwards	2016/0146531 A1	5/2016	Gossens
8,316,486 B2	11/2012	Tipperreiter	2016/0206090 A1*	7/2016	Feeley ..... A47B 21/0314
8,333,158 B2	12/2012	Wise	2018/0132608 A1*	5/2018	Benden ..... A47B 97/00
D677,478 S	3/2013	Edwards et al.	2019/0328129 A1*	10/2019	Namala ..... A47B 9/16
D677,960 S	3/2013	Kullman	2020/0093259 A1*	3/2020	Verhappen ..... A47B 21/02
			2020/0146440 A1*	5/2020	Fogarty ..... A47B 21/02

\* cited by examiner

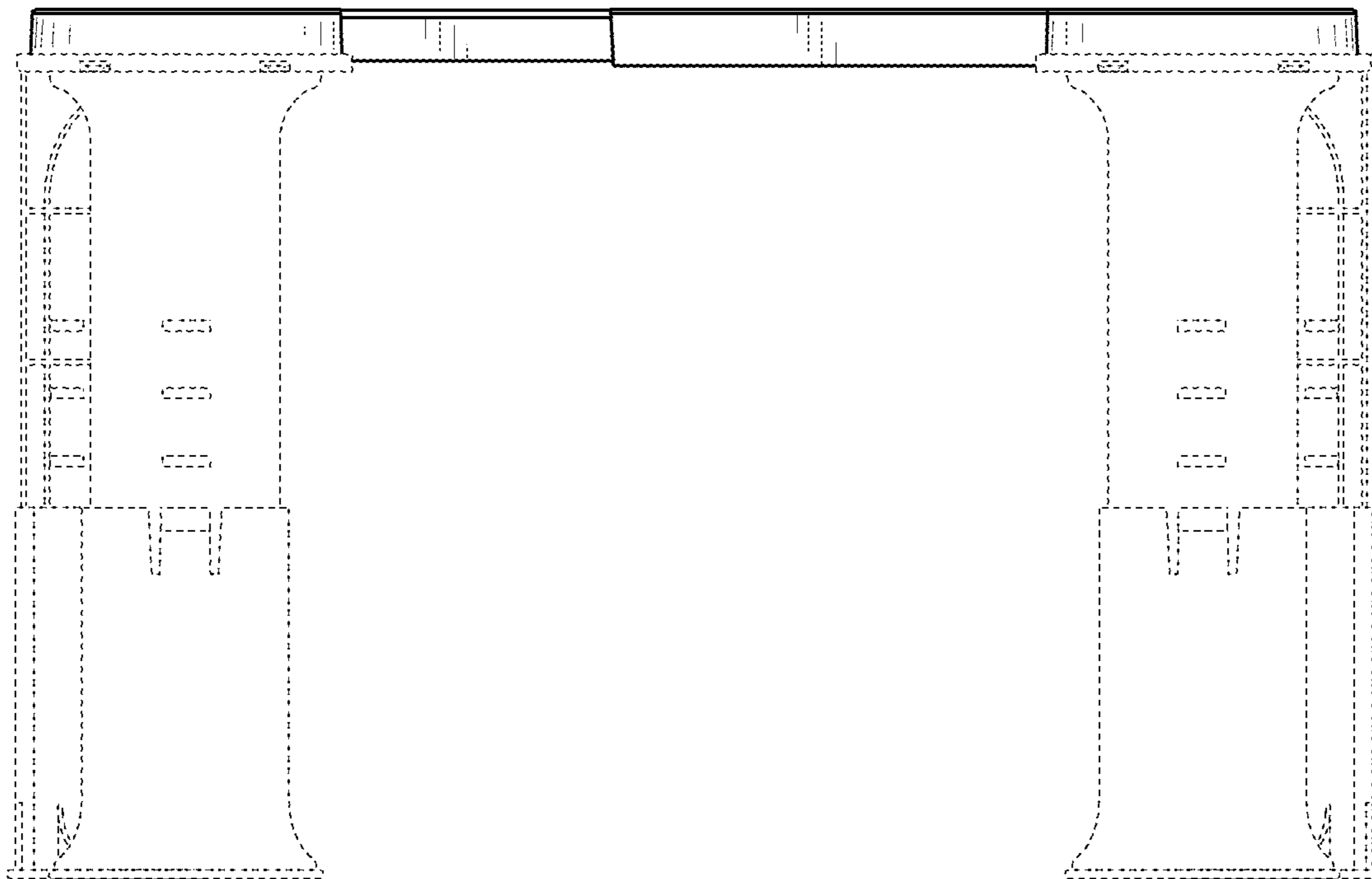




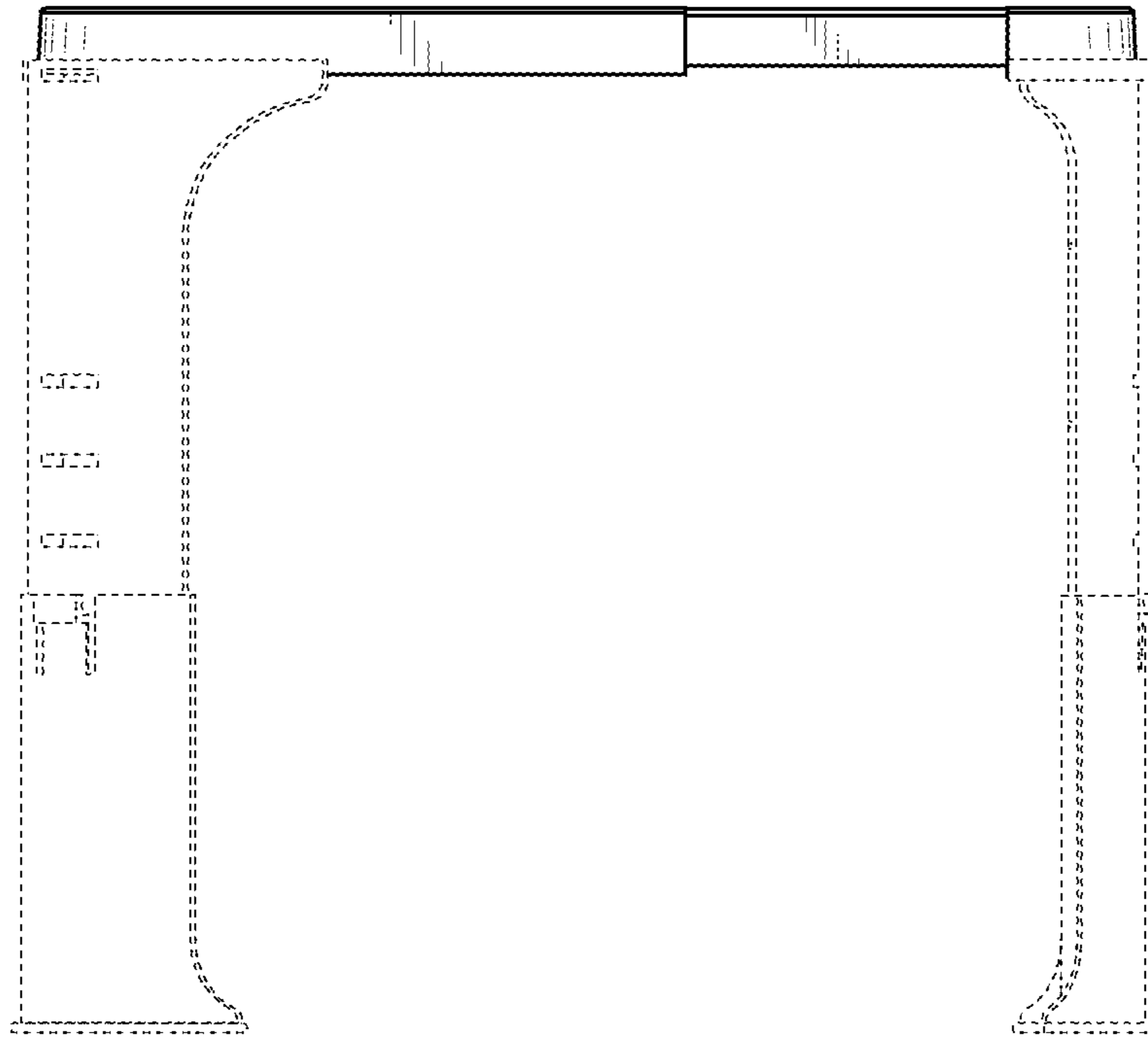
**FIG. 1**



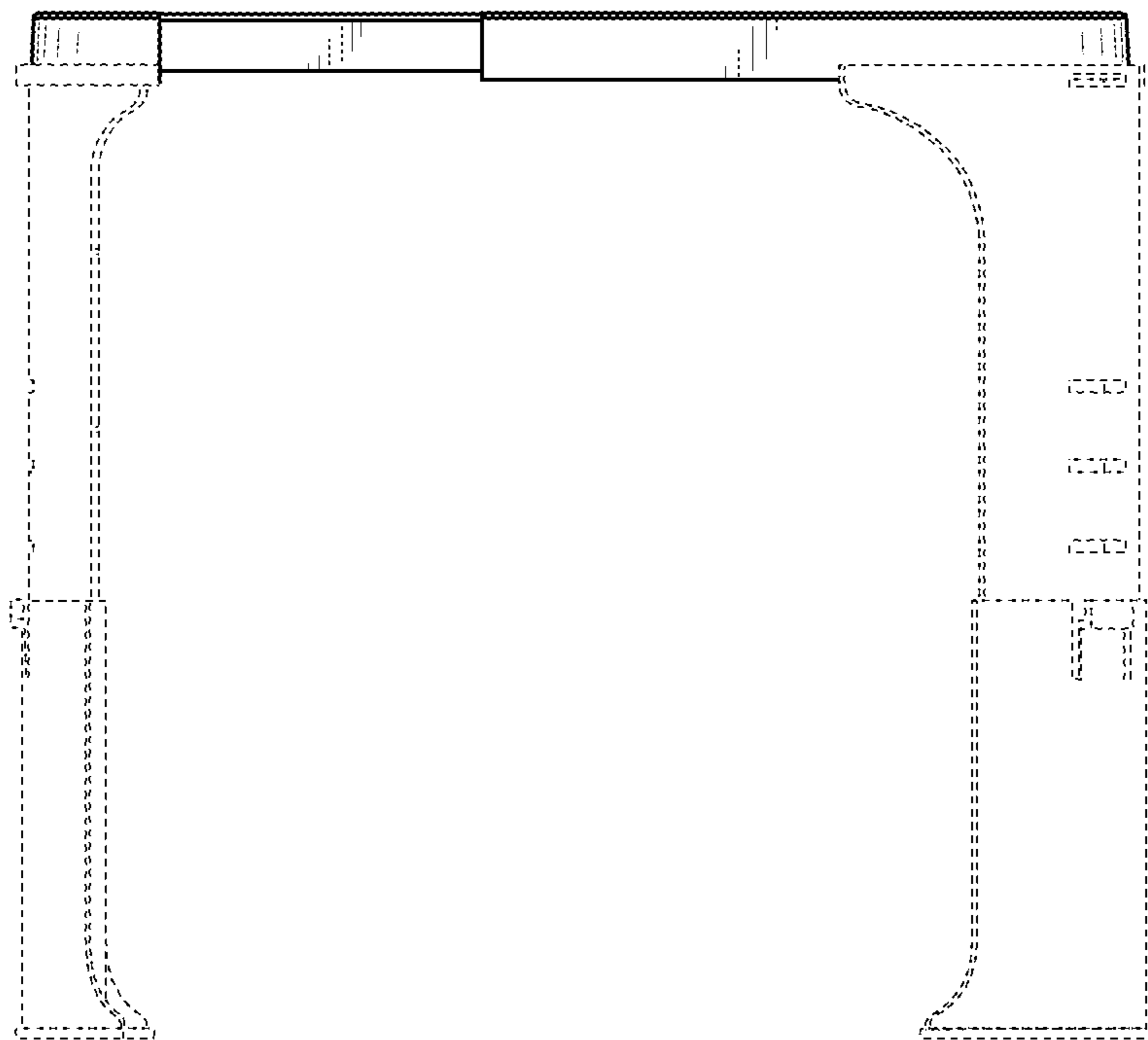
**FIG. 2**



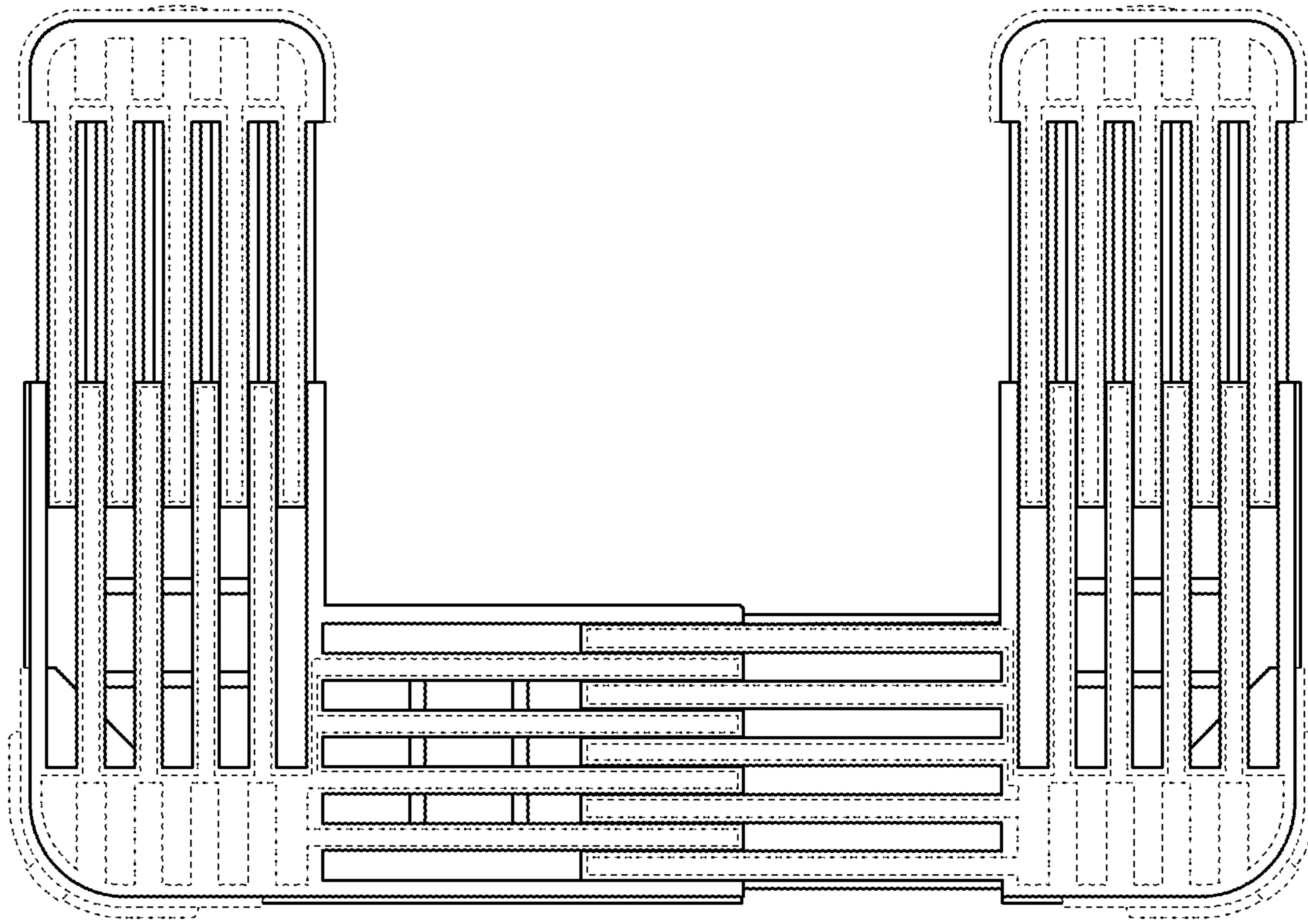
**FIG. 3**



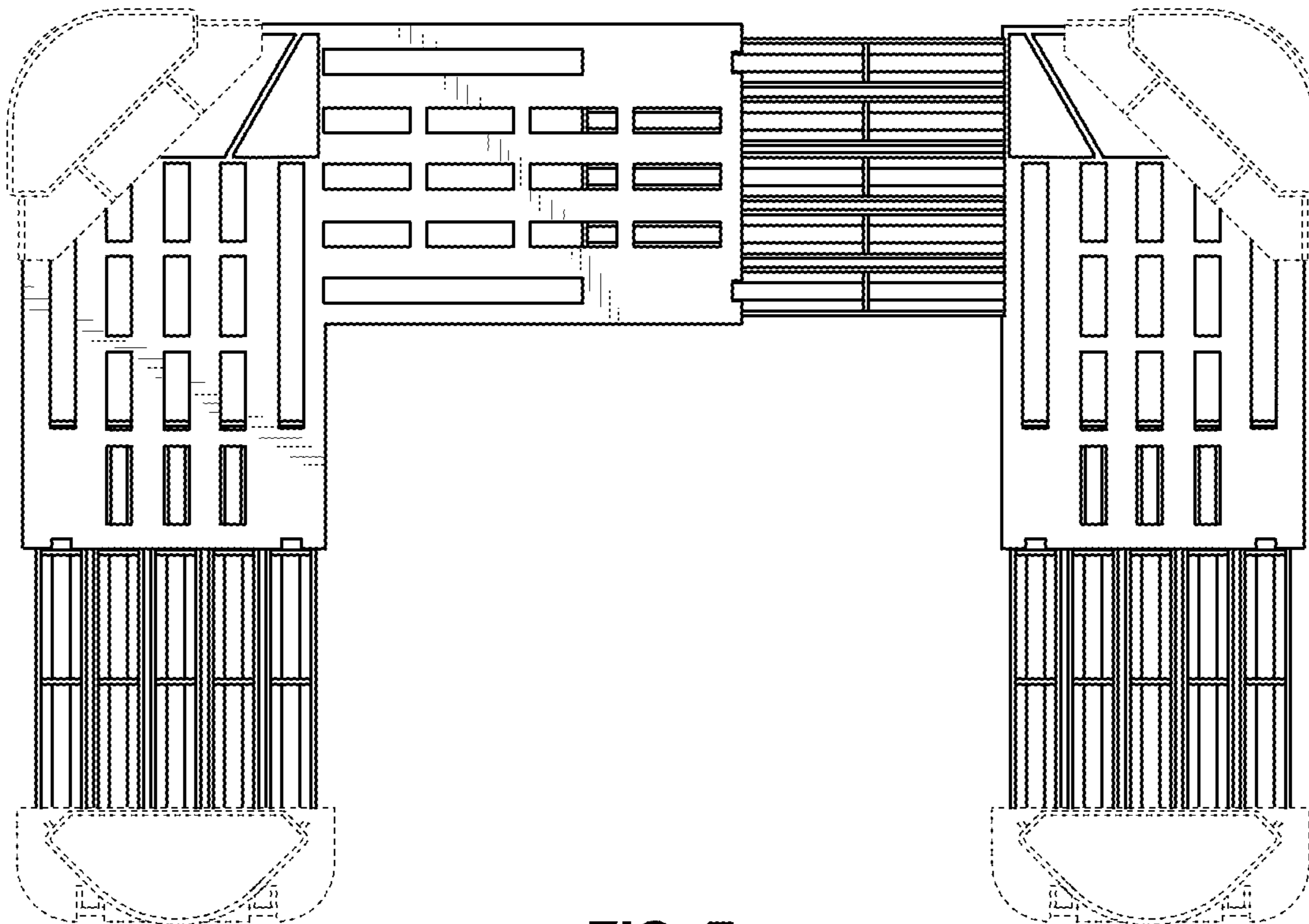
**FIG. 4**



**FIG. 5**



**FIG. 6**



**FIG. 7**