

US00D899156S

(12) **United States Design Patent** (10) **Patent No.:** **US D899,156 S**
Kumazawa (45) **Date of Patent:** **** Oct. 20, 2020**

(54) **DESK**
(71) Applicant: **AICHI CO., LTD.**, Nagoya-shi, Aichi (JP)

3,806,220 A 4/1974 Payne
4,041,881 A 8/1977 Textoris et al.
D325,834 S 5/1992 Fredrick
D361,230 S 8/1995 Vignelli et al.
(Continued)

(72) Inventor: **Taku Kumazawa**, Nagoya (JP)

FOREIGN PATENT DOCUMENTS

(73) Assignee: **AICHI CO., LTD.**, Nagoya-Shi, Aichi-Ken (JP)

EP 0003882 A1 9/1978
WO 2008034451 A1 3/2008

(**) Term: **15 Years**

OTHER PUBLICATIONS

(21) Appl. No.: **29/700,389**

Non-Final Office Action for U.S. Appl. No. 35/505,527, dated Sep. 18, 2019, 5 pages.

(22) Filed: **Aug. 1, 2019**

(Continued)

Related U.S. Application Data

(62) Division of application No. 35/505,527, filed on Feb. 19, 2018 (U.S. filing date under 35 U.S.C. 384), and having an international filing date of Feb. 19, 2018.

Primary Examiner — Jennifer L Rempfer

(74) *Attorney, Agent, or Firm* — Withrow & Terranova, P.L.L.C.; Vincent K. Gustafson

(30) **Foreign Application Priority Data**

Sep. 29, 2017 (JP) 2017-021656

(51) **LOC (12) Cl.** **06-03**

(52) **U.S. Cl.**
USPC **D6/656**

(58) **Field of Classification Search**
USPC ... D6/641, 647, 650, 651, 653, 656, 656.19, D6/683.1, 685, 688.12, 688.15, 688.24, D6/690, 691, 691.1, 691.3, 691.6, 696, D6/697, 707, 707.19, 707.22
CPC A47B 1/00; A47B 13/00; A47B 13/08; A47B 17/00; A47B 37/00; A47B 96/00; A47B 96/18; A47B 97/00

See application file for complete search history.

(57) **CLAIM**

The ornamental design for a desk, as shown and described.

DESCRIPTION

FIG. 1 is a front elevational view of a desk showing my design;
FIG. 2 is a rear elevational view of the desk;
FIG. 3 is a right side elevational view of the desk;
FIG. 4 is a left side elevational view of the desk;
FIG. 5 is a top plan view of the desk;
FIG. 6 is a bottom plan view of the desk; and,
FIG. 7 is an enlarged perspective view of an upper portion of the desk.

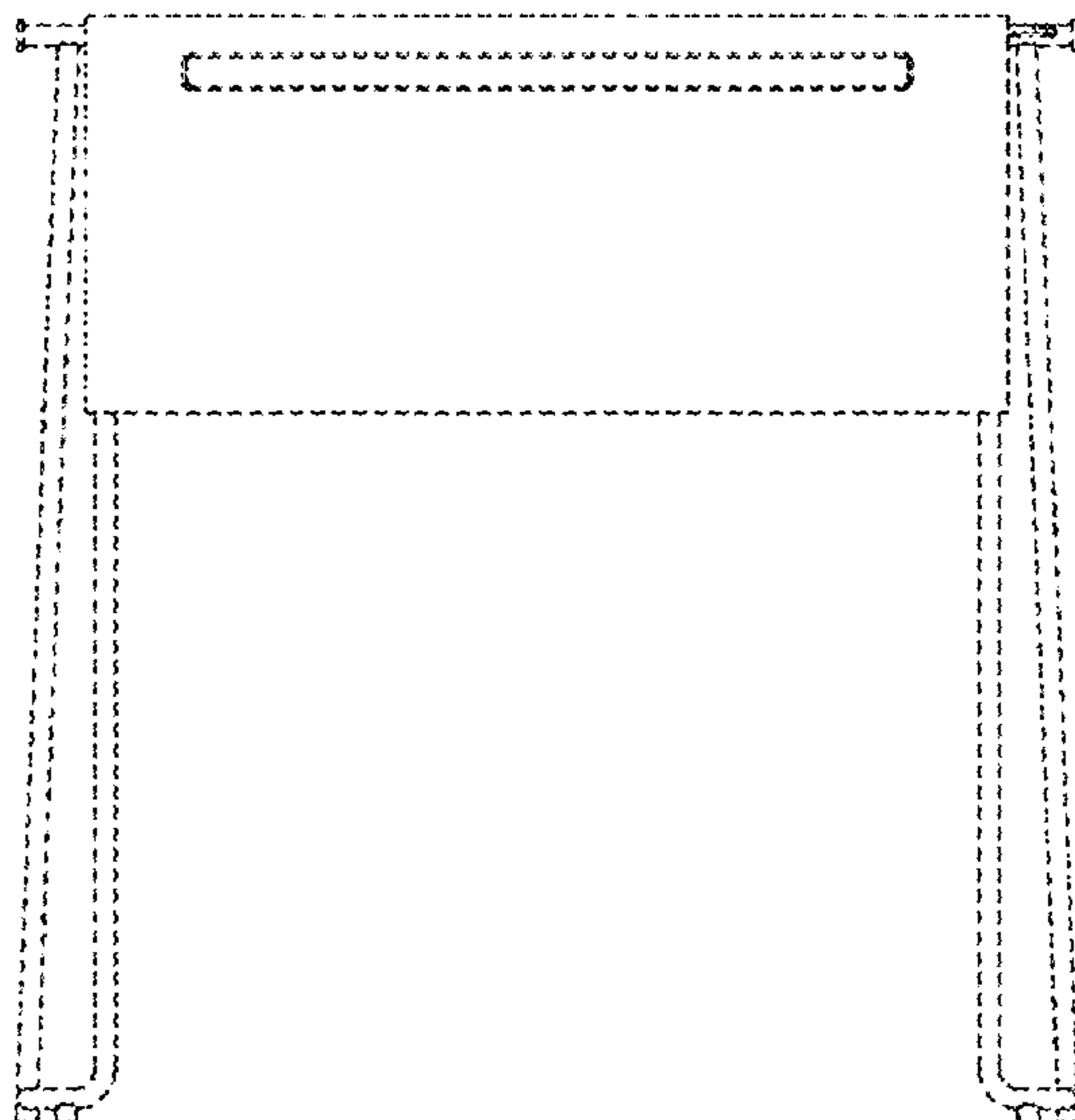
Throughout the Figures, portions represented by broken lines are not parts of the claimed design; the dot-and-dash lines merely show the boundaries between the claimed parts to be protected and the other parts; and the parallel thin lines on surfaces represent surface shading and do not illustrate ornamentation or decoration.

(56) **References Cited**

U.S. PATENT DOCUMENTS

2,659,649 A 11/1953 Kump, Jr.
D210,606 S 3/1968 Hamilton et al.

1 Claim, 6 Drawing Sheets



(56)

References Cited

U.S. PATENT DOCUMENTS

D376,712 S 12/1996 Mezger
D552,884 S 10/2007 Saotome
D599,585 S 9/2009 Kumazawa
D603,627 S 11/2009 Wen
D611,735 S * 3/2010 Stukenberg D6/691.8
D662,731 S 7/2012 Martin et al.
D705,556 S * 5/2014 Udagawa D6/349
D723,840 S 3/2015 Scharer et al.
D725,948 S 4/2015 Kim et al.
D752,909 S 4/2016 Pengelly
D767,923 S 10/2016 Cochran et al.
D774,811 S * 12/2016 Reybier D6/691.6
D786,591 S 5/2017 Grabowski et al.
D799,248 S 10/2017 Miller et al.
D802,345 S 11/2017 Hurford
D811,142 S 2/2018 Velez
D837,578 S 1/2019 Rundle
D845,679 S 4/2019 Li
D851,432 S 6/2019 Salto
D873,590 S * 1/2020 Galiotto D6/691.9
D874,856 S * 2/2020 Davis D6/691.1
2009/0101048 A1 4/2009 Weber

OTHER PUBLICATIONS

Quayle Action for U.S. Appl. No. 35/505,527, dated Feb. 28, 2020,
5 pages.

Notice of Allowance for U.S. Appl. No. 29/700,387, dated Apr. 22,
2020, 6 pages.

* cited by examiner

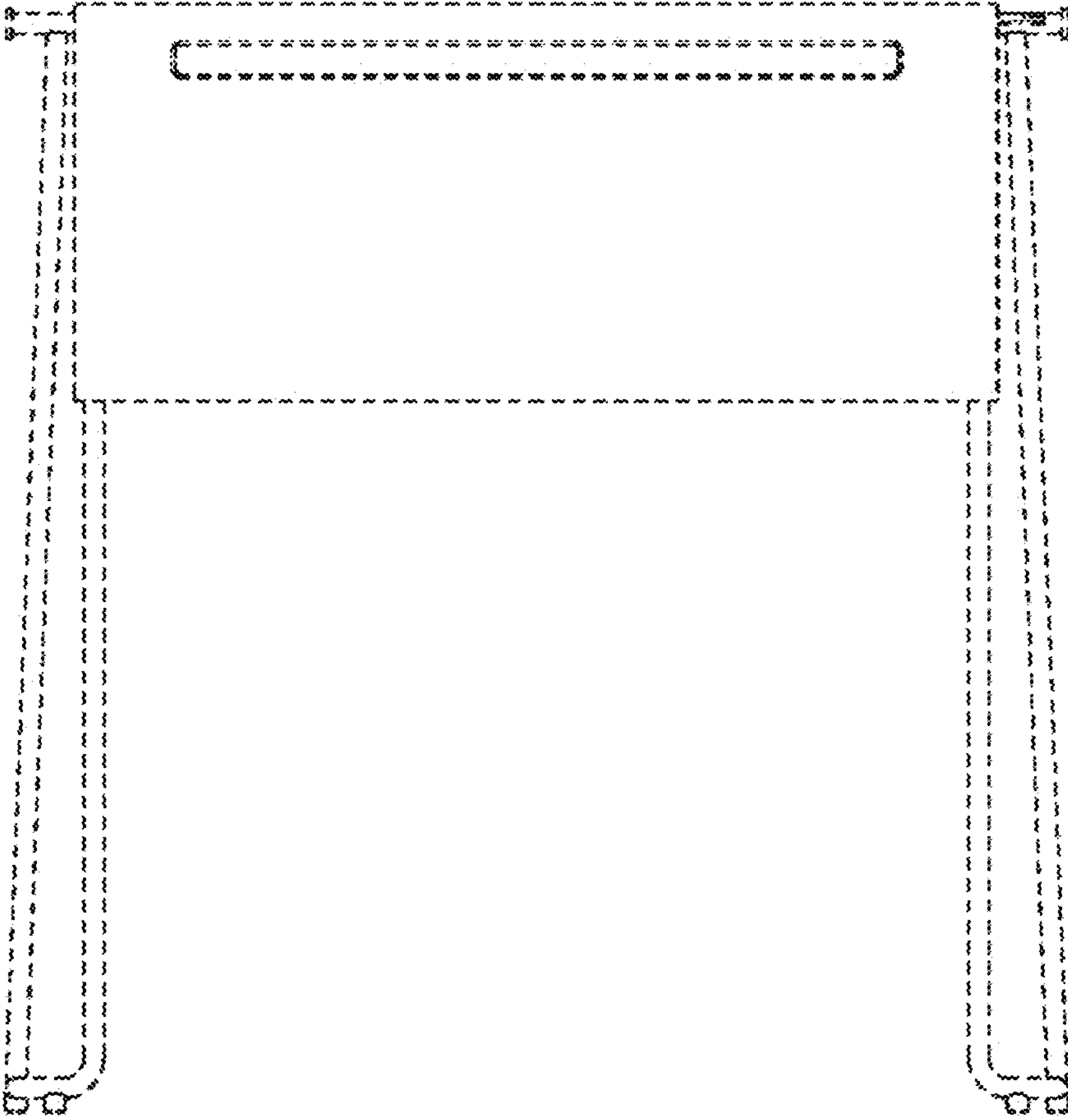


FIG. 1

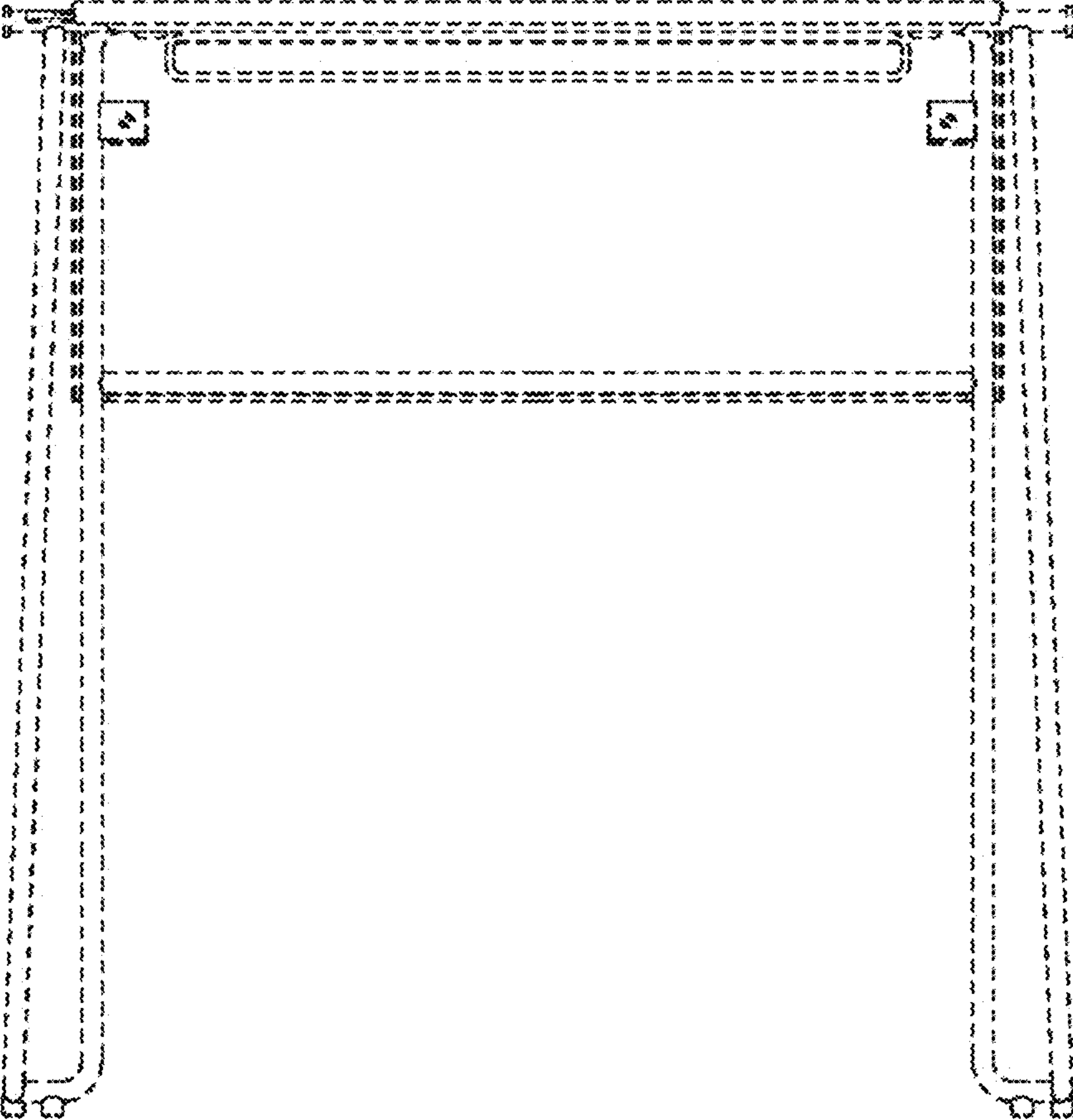


FIG. 2

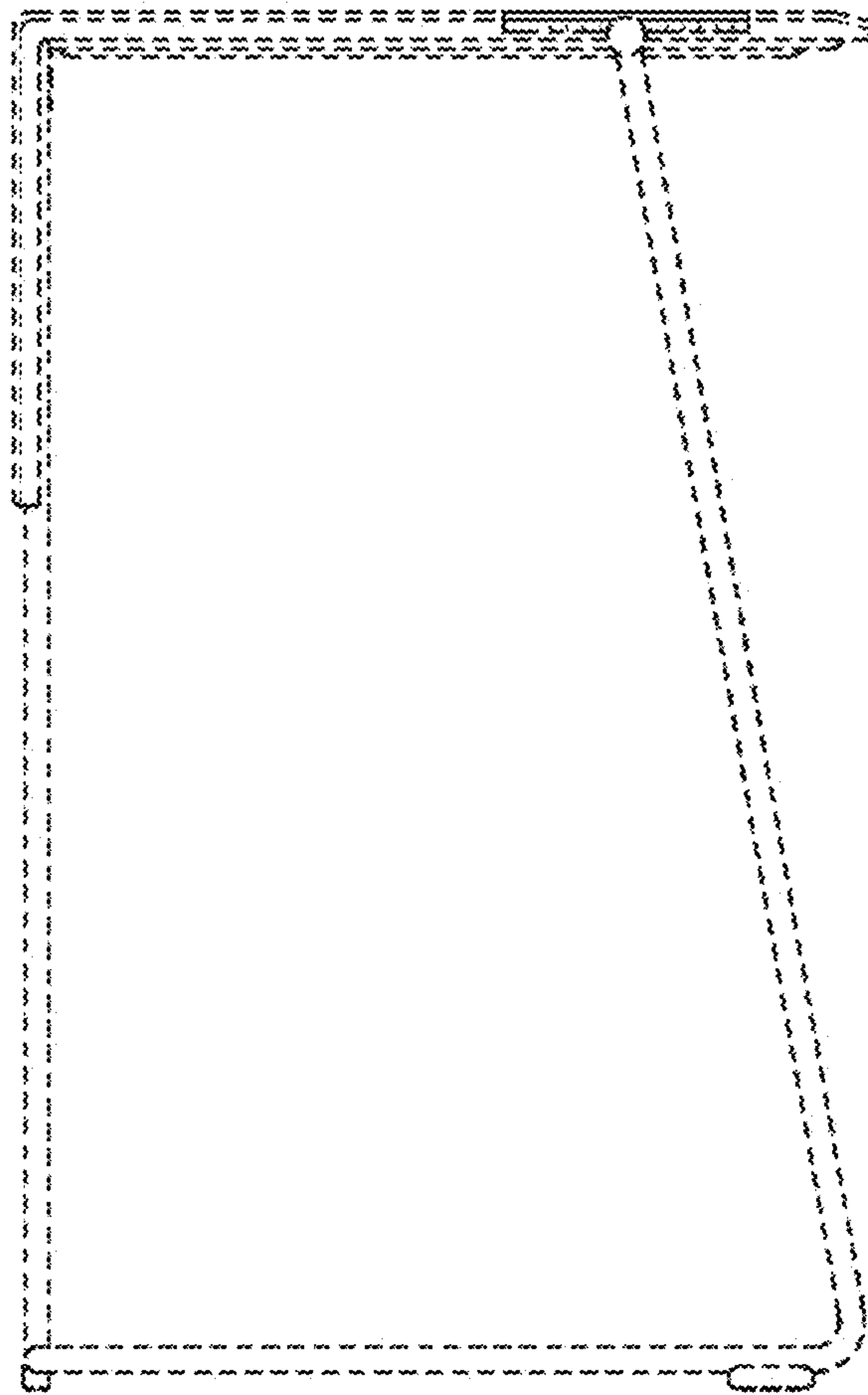


FIG. 3

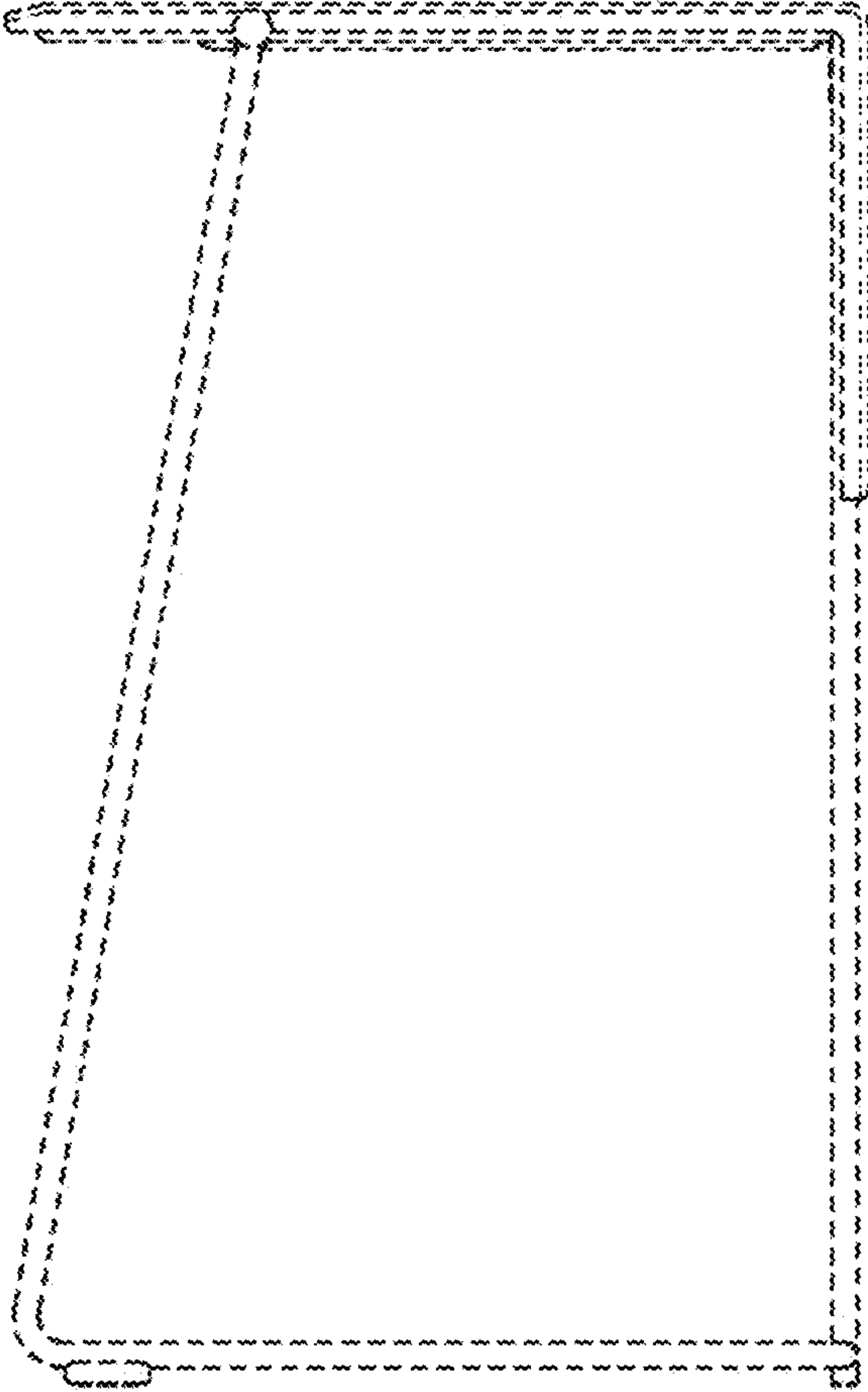


FIG. 4



FIG. 5



FIG. 6

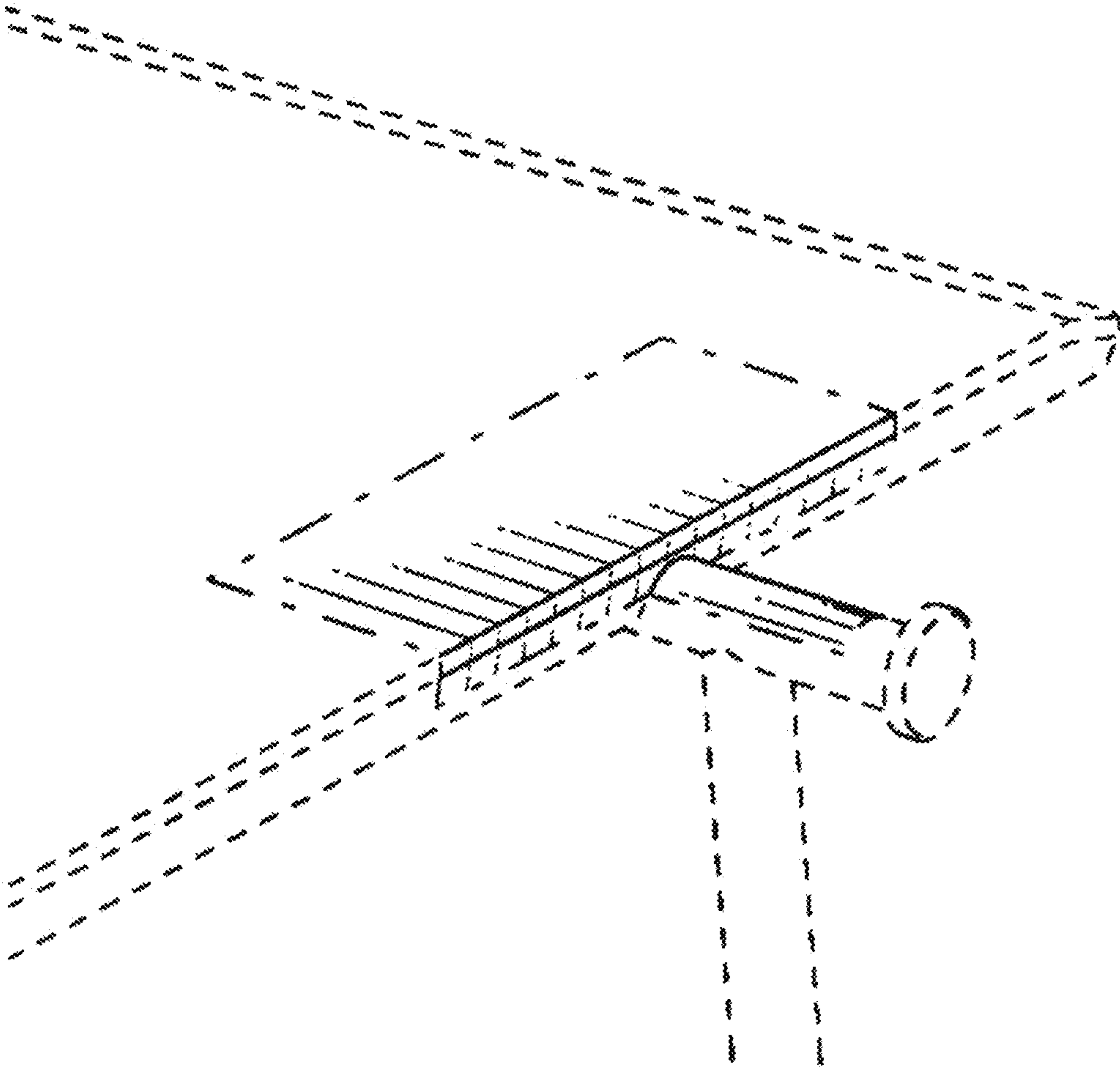


FIG. 7